

AC-92DF DRAINABLE STATIONARY LOUVER FLANGE FRAME

STANDARD CONSTRUCTION

FRAME

- 2" deep, 6063-T5 extruded aluminum with a .063" nominal wall thickness

BLADES

- 6063-T5 extruded aluminum with a .063" nominal wall thickness
- Blades are positioned at a 45° angle

SCREEN

- 3/4" x .051" thick, aluminum flattened expanded metal bird screen in a removable frame
- Screen will add approximately 0.5" to the overall louver depth

FINISH

- Mill Finish

MINIMUM LOUVER SIZE

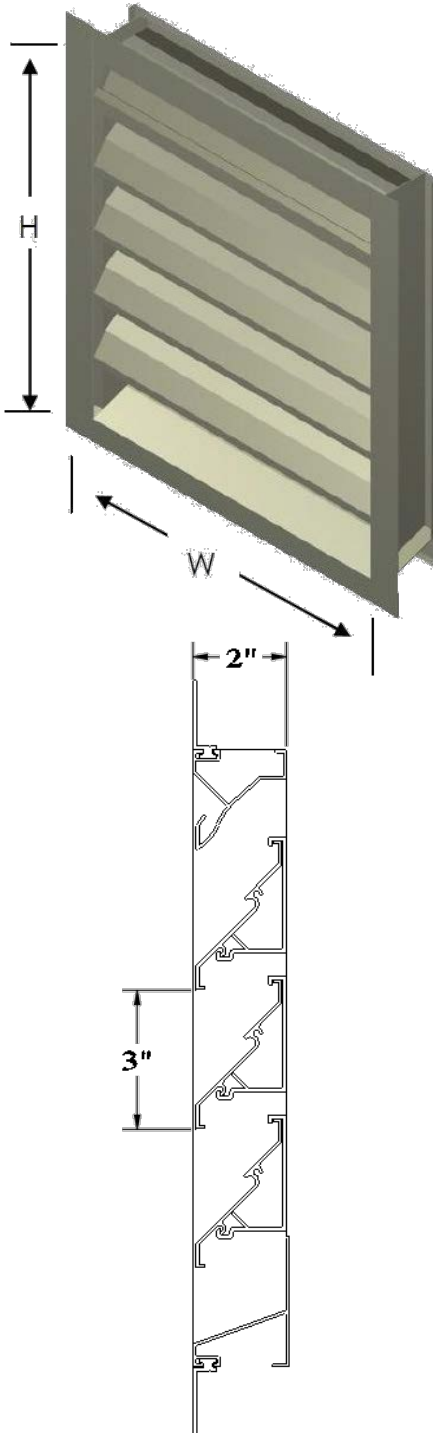
- 12" wide x 12" high

MAXIMUM LOUVER SIZE

- 70 square feet per section
- Single section size not to exceed 120" wide x 84" high or 84" wide x 120" high
- Louvers exceeding the maximum single section size will be built in multiple sections and require field assembly

BLADE BRACE SUPPORT ANGLES

- Depending on louver size, wind load, or other special requirements, louvers will have rear mounted blade support angles that will increase overall louver depth



STANDARD FEATURES

- Aluminum construction, providing a high resistance to corrosion
- All welded construction for strength and durability
- 54% Free Area (based on a 48" x 48" unit)
- Drainable head collects and channels water to drainable jamb to provide excellent water penetration performance
- Drainable blade channels water to drainable jamb minimizing water cascade between blades
- Hidden mullions allow for continuous blade appearance up to 120"

OPTIONS AVAILABLE

Many optional accessories to the basic design are available at an additional cost, including:

- Sill extension/head flashing
- Hinged frame/channel subframe
- Security bars
- Filter rack
- Bird/insect screens (please refer to screen submittal)
- Blank-off panels (standard or insulated)

FINISHES

- Kynar 500/Hylar 5000
- Baked Enamel
- Prime Coat
- Anodized in various colors and shades (some color variation is possible with anodized finishes)

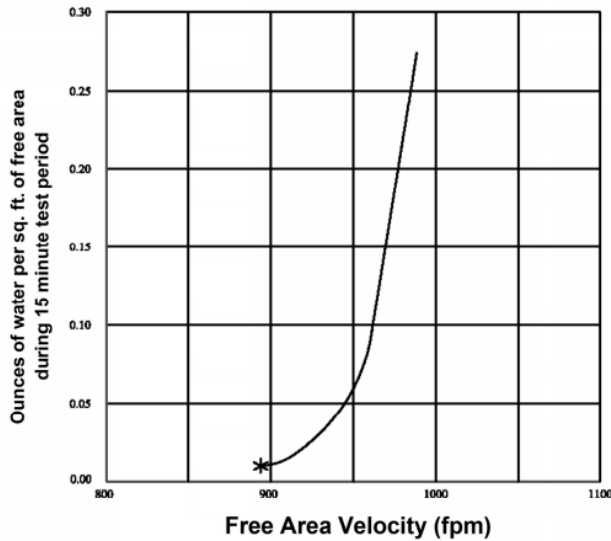
Note: Louvers built .25" smaller than opening size given

Contact Quality Metalcrafts, LLC / AMERICLAD® for any additional information or any special requirements

AC-92DF PERFORMANCE DATA SHEET

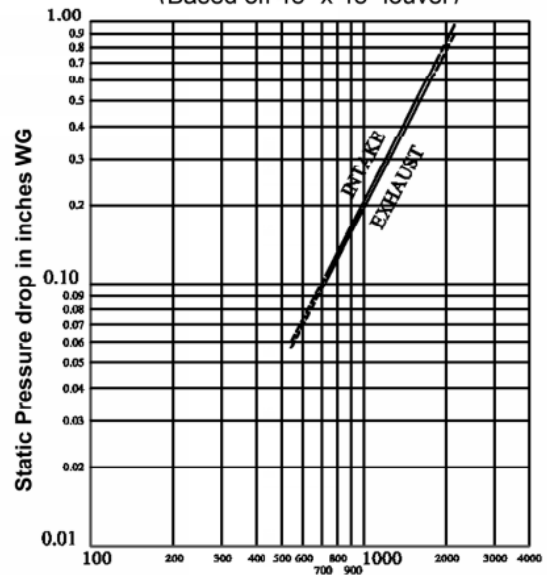
WATER PENETRATION

* Beginning point of water penetration is 894 fpm
(Based on 48" x 48" louver)



PRESSURE DROP

(Based on 48" x 48" louver)



Data corrected to standard air density,
Tested to AMCA figure 5.5

WATER PENETRATION

AMCA defines the beginning point of water penetration as the free area velocity at which 0.01 ounces or less of water per square foot of louver free area is measured to pass through a 48" x 48" louver during a 15 minute period. The AMCA water penetration test provides test data for the comparison of louver designs as to efficiency in resisting the penetration of rainfall under specific laboratory test conditions.

LOUVER SIZE DETERMINATION

_____ cfm /	_____ fpm =	_____ ft ²
air flow volume	free area velocity @ beginning point of water penetration	required louver free area
Select louver size from Free Area Chart below, based on required louver free area above.		
Determine pressure drop from Pressure Drop Chart based on required louver free area above.		



Quality Metalcrafts, LLC certifies that the product line shown herein is licensed to bear the AMCA seal. The ratings shown are based on tests and procedures performed in accordance with AMCA Publication 511 and comply with the requirements of the AMCA Certified Ratings Program. The AMCA Certified Rating Seal applies to water penetration and air performance ratings for rectangular louvers only.

AC-94D FREE AREA CHART

Free area chart shows square feet of free area of various louver sizes

Free Area AMCA Licensed for openings up to 84" x 120"

H/W	12	24	36	48	60	72	84	96	108	120
12	0.38	0.83	1.27	1.72	2.16	2.61	3.05	3.50	3.94	4.39
24	0.87	1.89	2.92	3.94	4.96	5.98	7.00	8.02	9.05	10.07
36	1.41	2.24	4.71	6.36	8.02	9.67	11.32	12.97	14.62	16.27
48	1.94	4.20	6.47	8.73	11.00	13.26	15.53	17.79	20.06	22.32
60	2.43	5.27	8.11	10.95	13.79	16.64	19.48	22.32	25.16	28.00
72	2.97	6.44	9.91	13.38	16.85	20.32	23.79	27.27	30.74	34.21
84	3.49	7.58	11.66	15.75	19.83	23.92	28.00	32.09	36.17	40.26
96	3.98	8.64	13.30	17.97	22.63	27.29	31.95	36.61	41.27	45.94
108	4.52	9.81	15.10	20.39	25.69	30.98	36.27	41.56	46.85	52.14
120	5.04	10.95	16.86	22.76	28.67	34.57	40.48	46.38	52.29	58.19