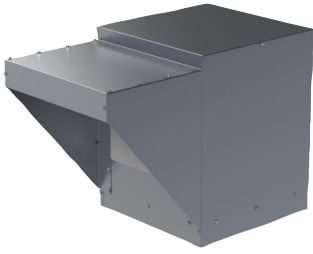


# MODEL KSFV

## BELT DRIVE CENTRIFUGAL KITCHEN SUPPLY FAN WITH VARIATIONS



### MODEL FEATURES

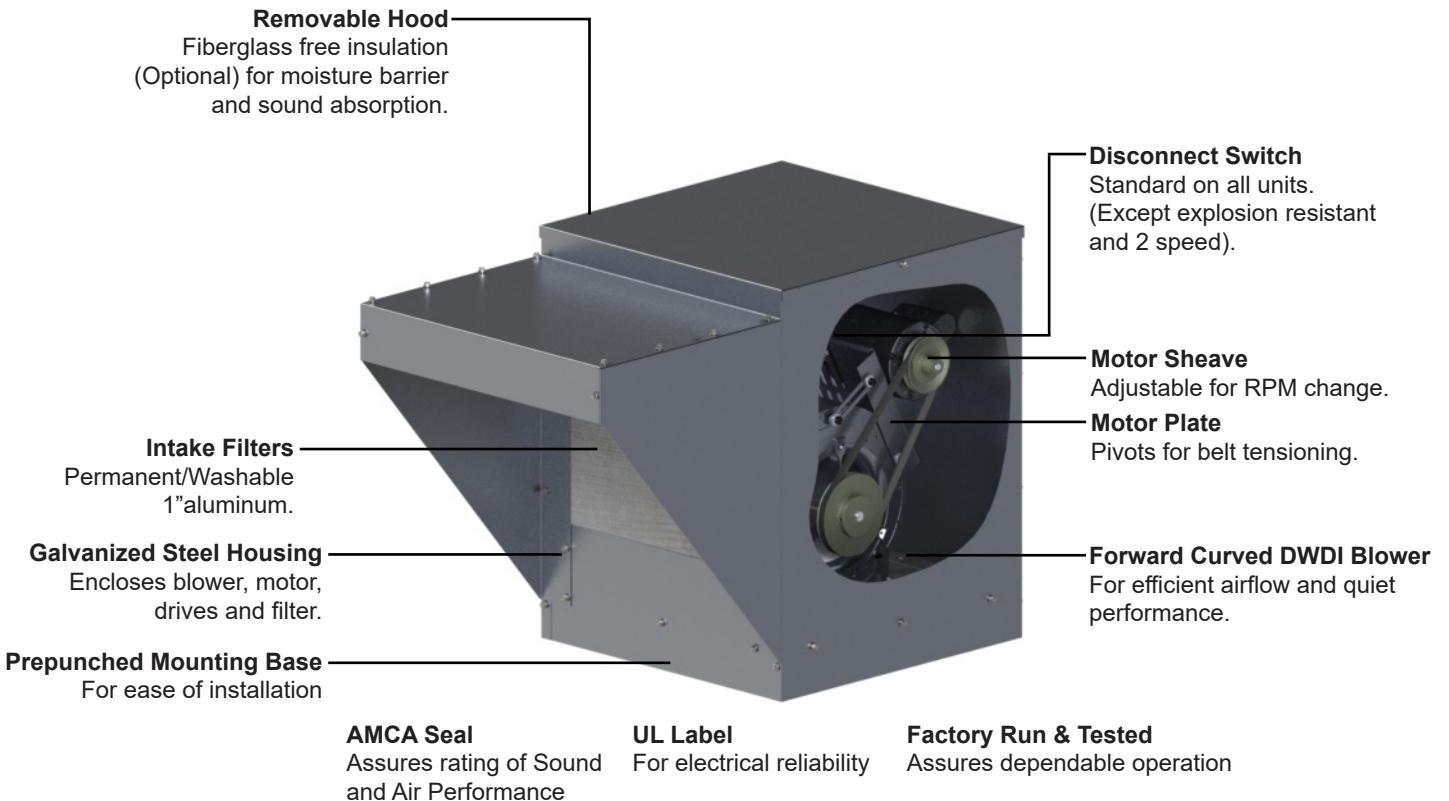
- Supply air to over 12,000 CFM in static pressure capabilities to 2" w.g.
- Heavy-galvanized construction
- Belt drives permit easy performance adjustments when needed
- Forward curved centrifugal blower for efficient air flow at low sound levels
- Filters are washable and reusable
- AMCA Air and Sound Licensed
- cULus 705 Listed

### MODEL OVERVIEW

Model KSFV fans are roof curb or curb cap mounted filtered supply fans rated from 375 to over 12,000 CFM, with static pressure capabilities to 2". They are specifically designed for filtered make-up air in kitchen hood applications. Model KSFV's rugged design with heavy-gauge galvanized construction provides maximum weather protection, long life and the utmost in performance efficiency. The forward curved centrifugal blower provides efficient air flow at low sound levels with static pressure capabilities to handle ducted air systems or hoods within a building. The filters are washable and are reusable to reduce maintenance costs. The primary use of these fans is for filtered make-up air in kitchen hood applications but may also be specified for make-up air in commercial and industrial applications such as manufacturing and assembly areas.



Model KSFV is available in our Quickship program. Sizes 9-18 are available for next day shipping from stock.



**Industry best 5 year fan housing warranty, 1 year motor warranty**

All specifications are subject to change without notice unless approved in submittal by S&P USA.

## **CONSTRUCTION/SPECIFICATION CHECKLIST**

### **Blower**

- Statically and dynamically balanced forward curved wheel.
- 12-gauge galvanized steel blower plate/discharge opening.
- 18-gauge galvanized steel housing.
- Prepunched mounting holes.
- Conduit opening for wiring from below unit.

### **Motors**

- 1 year warranty.
- Brands are nationally recognized and locally serviced.
- Single speed open drip-proof are standard.
- Explosion-proof, totally enclosed and two-speed motors are available.
- All motors are rated for continuous duty.
- 182T and larger motors shipped unmounted for field installation.
- Disconnect switch standard with single speed drip-proof and totally enclosed motors.

### **Hood**

- Heavy-gauge galvanized steel hood.
- 1 inch washable aluminum mesh filters.

### **Drives**

- Adjustable motor pulleys are standard.
- Sized for minimum 150% of drive horsepower.
- Machined cast iron adjustable motor pulleys.
- Pivoting motor plate for belt tensioning.
- Nonstatic oil resistant V-belts.

### **Certifications**

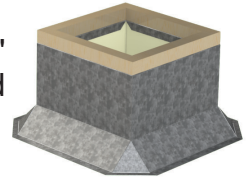
- AMCA Air and Sound Licensed.
- cULus Standard 705 Listed Power Roof Ventilator label assures electrical reliability.

## OPTIONS/ACCESSORIES

**Insulated Hood:** High performance and ecologically friendly fiberglass free insulation only.

**Intake Extension:** Extensions are available for all size KSFV fans to provide NFPA required clearance from the exhaust fan on factory supplied common curbs. Extensions are made from heavy-gauge galvanized steel and require equipment supports on the intake end.

**Roof Curb:** Prefabricated heavy-gauge galvanized steel, welded construction, 12" high with 1-1/2" wood nailer. Options include single and double pitch construction and additional curb heights.



**Motor Operated Damper:** Motor operated aluminum damper for positive closure against backdraft (counter balanced).



**Automatic Damper:** Automatic aluminum damper for ease in installation and effective backdraft protection (counter balanced).

**Duct Adapter:** For ease in connecting discharge duct to fan outlet.

**Common Curb:** Designed to allow both the supply fan and exhaust fan to be mounted on the same curb. This curb requires only one roof opening and speeds installation time.

**Special Coatings:** For protective and decorative purposes. Available coatings include: Epoxy, Synthetic Resin, and Heresite (air-dried phenolic). Contact your Soler & Palau representative or the factory for more information on available coatings and colors.

# PERFORMANCE/DIMENSIONS

## KSFV9

| MODEL KSFV | CFM  | OV    |       | Static Pressure in Inches w.g. |      |      |       |       |       |       |       |       |   |
|------------|------|-------|-------|--------------------------------|------|------|-------|-------|-------|-------|-------|-------|---|
|            |      |       |       | 1/8                            | 1/4  | 3/8  | 1/2   | 5/8   | 3/4   | 1     | 1 1/4 | 1 1/2 |   |
| 9          | 475  | 534   | RPM   | 466                            | -    | -    | -     | -     | -     | -     | -     | -     | - |
|            |      |       | BHP   | 0.03                           | -    | -    | -     | -     | -     | -     | -     | -     | - |
|            |      |       | SONES | 6.4                            | -    | -    | -     | -     | -     | -     | -     | -     | - |
|            | 575  | 646   | RPM   | 503                            | -    | -    | -     | -     | -     | -     | -     | -     | - |
|            |      |       | BHP   | 0.04                           | -    | -    | -     | -     | -     | -     | -     | -     | - |
|            |      |       | SONES | 8.0                            | -    | -    | -     | -     | -     | -     | -     | -     | - |
|            | 675  | 758   | RPM   | 541                            | 661  | -    | -     | -     | -     | -     | -     | -     | - |
|            |      |       | BHP   | 0.05                           | 0.08 | -    | -     | -     | -     | -     | -     | -     | - |
|            |      |       | SONES | 9.8                            | 16.5 | -    | -     | -     | -     | -     | -     | -     | - |
|            | 775  | 871   | RPM   | 578                            | 697  | -    | -     | -     | -     | -     | -     | -     | - |
|            |      |       | BHP   | 0.07                           | 0.10 | -    | -     | -     | -     | -     | -     | -     | - |
|            |      |       | SONES | 11.9                           | 19.3 | -    | -     | -     | -     | -     | -     | -     | - |
|            | 875  | 983   | RPM   | 623                            | 735  | 826  | -     | -     | -     | -     | -     | -     | - |
|            |      |       | BHP   | 0.09                           | 0.12 | 0.16 | -     | -     | -     | -     | -     | -     | - |
|            |      |       | SONES | 15.0                           | 22.2 | 27.2 | -     | -     | -     | -     | -     | -     | - |
|            | 975  | 1096  | RPM   | 671                            | 772  | 863  | 941   | -     | -     | -     | -     | -     | - |
|            |      |       | BHP   | 0.12                           | 0.15 | 0.19 | 0.23  | -     | -     | -     | -     | -     | - |
|            |      |       | SONES | 19.0                           | 23.9 | 29.0 | 33.5  | -     | -     | -     | -     | -     | - |
|            | 1075 | 1208  | RPM   | 719                            | 809  | 901  | 978   | 1047  | -     | -     | -     | -     | - |
|            |      |       | BHP   | 0.15                           | 0.19 | 0.23 | 0.27  | 0.31  | -     | -     | -     | -     | - |
|            |      |       | SONES | 23.8                           | 26.1 | 30.9 | 35.3  | 39.7  | -     | -     | -     | -     | - |
|            | 1175 | 1320  | RPM   | 762                            | 851  | 939  | 1014  | 1083  | 1146  | -     | -     | -     | - |
|            |      |       | BHP   | 0.18                           | 0.23 | 0.27 | 0.32  | 0.36  | 0.41  | -     | -     | -     | - |
|            |      |       | SONES | 26.9                           | 29.1 | 32.8 | 37.4  | 41.8  | 46.2  | -     | -     | -     | - |
|            | 1275 | 1433  | RPM   | 807                            | 898  | 976  | 1052  | 1121  | 1182  | -     | -     | -     | - |
|            |      |       | BHP   | 0.22                           | 0.27 | 0.32 | 0.37  | 0.42  | 0.47  | -     | -     | -     | - |
|            |      |       | SONES | 30.0                           | 32.5 | 34.9 | 39.6  | 44.1  | 48.6  | -     | -     | -     | - |
| 1375       | 1545 | RPM   | 857   | 948                            | 1015 | 1091 | 1158  | 1219  | 1330  | -     | -     | -     |   |
|            |      | BHP   | 0.27  | 0.33                           | 0.37 | 0.43 | 0.48  | 0.54  | 0.64  | -     | -     | -     |   |
|            |      | SONES | 33.4  | 36.1                           | 37.9 | 41.9 | 46.5  | 52.3  | 66.0  | -     | -     | -     |   |
| 1475       | 1657 | RPM   | 910   | 997                            | 1059 | 1127 | 1196  | 1257  | 1366  | 1464  | -     | -     |   |
|            |      | BHP   | 0.33  | 0.39                           | 0.44 | 0.49 | 0.56  | 0.61  | 0.72  | 0.83  | -     | -     |   |
|            |      | SONES | 37.2  | 39.8                           | 41.5 | 44.2 | 49.6  | 56.4  | 70.9  | 86.7  | -     | -     |   |
| 1575       | 1770 | RPM   | 962   | 1041                           | 1107 | 1166 | 1232  | 1295  | 1403  | 1500  | 1592  |       |   |
|            |      | BHP   | 0.40  | 0.46                           | 0.51 | 0.57 | 0.63  | 0.69  | 0.81  | 0.93  | 1.05  |       |   |
|            |      | SONES | 41.3  | 43.3                           | 45.5 | 47.7 | 53.5  | 61.0  | 76.4  | 89.3  | 99.2  |       |   |
| 1675       | 1882 | RPM   | 1016  | 1084                           | 1156 | 1210 | 1270  | 1333  | 1441  | 1537  | 1626  |       |   |
|            |      | BHP   | 0.47  | 0.53                           | 0.60 | 0.65 | 0.71  | 0.78  | 0.91  | 1.04  | 1.16  |       |   |
|            |      | SONES | 45.6  | 46.8                           | 49.8 | 52.9 | 58.3  | 65.6  | 82.5  | 92.3  | 102.1 |       |   |
| 1975       | 2219 | RPM   | 1177  | 1228                           | 1294 | 1355 | 1401  | 1447  | 1554  | 1648  | 1736  |       |   |
|            |      | BHP   | 0.75  | 0.81                           | 0.89 | 0.97 | 1.03  | 1.10  | 1.26  | 1.41  | 1.56  |       |   |
|            |      | SONES | 60.3  | 62.2                           | 68.4 | 75.0 | 80.1  | 84.4  | 91.7  | 102.1 | 112.0 |       |   |
| 2075       | 2331 | RPM   | 1232  | 1281                           | 1338 | 1404 | 1450  | 1492  | 1590  | 1687  | 1773  |       |   |
|            |      | BHP   | 0.86  | 0.93                           | 1.00 | 1.09 | 1.16  | 1.23  | 1.39  | 1.56  | 1.71  |       |   |
|            |      | SONES | 68.1  | 70.6                           | 75.8 | 84.8 | 88.3  | 89.7  | 95.0  | 105.8 | 115.4 |       |   |
| 2175       | 2444 | RPM   | 1286  | 1333                           | 1383 | 1449 | 1499  | 1540  | 1628  | 1725  | 1811  |       |   |
|            |      | BHP   | 0.99  | 1.05                           | 1.12 | 1.22 | 1.30  | 1.37  | 1.53  | 1.71  | 1.87  |       |   |
|            |      | SONES | 77.2  | 80.3                           | 84.9 | 92.1 | 94.3  | 95.8  | 100.3 | 109.3 | 118.9 |       |   |
| 2275       | 2556 | RPM   | 1340  | 1386                           | 1431 | 1490 | 1548  | 1589  | 1669  | 1761  | 1849  |       |   |
|            |      | BHP   | 1.12  | 1.19                           | 1.26 | 1.36 | 1.45  | 1.53  | 1.68  | 1.86  | 2.05  |       |   |
|            |      | SONES | 88.6  | 91.2                           | 94.2 | 97.4 | 100.8 | 102.4 | 106.0 | 112.7 | 122.6 |       |   |



S&P USA Ventilation Systems, LLC., Div. of Soler & Palau Ventilation Group, certifies that the Models KSFV shown herein are licensed to bear the AMCA Seal. The ratings shown are based on test and procedures performed in accordance with AMCA Publication 211 and AMCA Publication 311 and comply with the requirement of the AMCA Certified Ratings Program.



Performance certified is for installation type B: free inlet, ducted outlet. Power rating (BHP) does not include transmission losses. Performance ratings do not include the effects of appurtenances (accessories). The sound ratings shown are loudness values in fan sones at a distance of 1.5 m (5 ft) in a hemispherical free field calculated per AMCA International Standard 301. Values shown are for installation type B: ducted outlet hemispherical sone levels. Ratings do not include the effect of duct end correction.

# KSFV10

| MODEL<br>KSFV | CFM  | OV    |      | Static Pressure in Inches w.g. |      |      |      |      |      |      |       |       |   |
|---------------|------|-------|------|--------------------------------|------|------|------|------|------|------|-------|-------|---|
|               |      |       |      | 1/8                            | 1/4  | 3/8  | 1/2  | 5/8  | 3/4  | 1    | 1 1/4 | 1 1/2 | 2 |
| 950           | 896  | RPM   | 409  | 524                            | 629  | -    | -    | -    | -    | -    | -     | -     | - |
|               |      | BHP   | 0.06 | 0.10                           | 0.14 | -    | -    | -    | -    | -    | -     | -     | - |
|               |      | SONES | 5.4  | 5.9                            | 8.7  | -    | -    | -    | -    | -    | -     | -     | - |
| 1090          | 1028 | RPM   | 435  | 540                            | 636  | 726  | -    | -    | -    | -    | -     | -     |   |
|               |      | BHP   | 0.09 | 0.12                           | 0.16 | 0.21 | -    | -    | -    | -    | -     | -     |   |
|               |      | SONES | 7.3  | 7.0                            | 9.2  | 12.5 | -    | -    | -    | -    | -     | -     |   |
| 1230          | 1160 | RPM   | 463  | 561                            | 648  | 733  | 812  | 887  | -    | -    | -     | -     |   |
|               |      | BHP   | 0.11 | 0.15                           | 0.20 | 0.24 | 0.29 | 0.35 | -    | -    | -     | -     |   |
|               |      | SONES | 8.6  | 8.4                            | 10.1 | 12.9 | 16.3 | 18.6 | -    | -    | -     | -     |   |
| 1370          | 1292 | RPM   | 494  | 583                            | 666  | 743  | 819  | 891  | -    | -    | -     | -     |   |
|               |      | BHP   | 0.14 | 0.19                           | 0.24 | 0.28 | 0.34 | 0.39 | -    | -    | -     | -     |   |
|               |      | SONES | 9.9  | 10.3                           | 11.4 | 13.8 | 16.8 | 18.9 | -    | -    | -     | -     |   |
| 1510          | 1425 | RPM   | 527  | 608                            | 687  | 760  | 829  | 897  | 1026 | -    | -     | -     |   |
|               |      | BHP   | 0.18 | 0.23                           | 0.28 | 0.33 | 0.39 | 0.45 | 0.57 | -    | -     | -     |   |
|               |      | SONES | 11.5 | 12.7                           | 13.1 | 15.1 | 17.4 | 19.3 | 23.7 | -    | -     | -     |   |
| 1650          | 1557 | RPM   | 560  | 636                            | 710  | 779  | 845  | 907  | 1031 | 1146 | -     | -     |   |
|               |      | BHP   | 0.23 | 0.28                           | 0.34 | 0.39 | 0.45 | 0.51 | 0.64 | 0.78 | -     | -     |   |
|               |      | SONES | 13.1 | 14.3                           | 15.0 | 16.7 | 18.4 | 20.0 | 24.1 | 28.4 | -     | -     |   |
| 1790          | 1689 | RPM   | 594  | 666                            | 734  | 801  | 864  | 923  | 1039 | 1151 | 1255  | -     |   |
|               |      | BHP   | 0.28 | 0.34                           | 0.40 | 0.46 | 0.52 | 0.58 | 0.72 | 0.86 | 1.01  | -     |   |
|               |      | SONES | 15.0 | 15.9                           | 17.4 | 18.5 | 19.8 | 21.0 | 24.7 | 28.7 | 33.5  | -     |   |
| 1930          | 1821 | RPM   | 629  | 697                            | 761  | 823  | 884  | 941  | 1050 | 1157 | 1259  | -     |   |
|               |      | BHP   | 0.34 | 0.40                           | 0.47 | 0.53 | 0.59 | 0.66 | 0.80 | 0.95 | 1.11  | -     |   |
|               |      | SONES | 16.9 | 17.7                           | 19.3 | 20.5 | 21.3 | 22.3 | 25.4 | 29.3 | 33.9  | -     |   |
| 2070          | 1953 | RPM   | 664  | 729                            | 789  | 848  | 906  | 962  | 1066 | 1167 | 1266  | 1449  |   |
|               |      | BHP   | 0.41 | 0.48                           | 0.54 | 0.61 | 0.68 | 0.75 | 0.90 | 1.05 | 1.22  | 1.56  |   |
|               |      | SONES | 18.8 | 19.7                           | 21.1 | 22.6 | 22.9 | 23.9 | 26.6 | 30.0 | 34.5  | 46.2  |   |
| 2210          | 2085 | RPM   | 700  | 762                            | 819  | 875  | 930  | 983  | 1085 | 1180 | 1274  | 1453  |   |
|               |      | BHP   | 0.49 | 0.56                           | 0.63 | 0.70 | 0.78 | 0.85 | 1.00 | 1.16 | 1.33  | 1.69  |   |
|               |      | SONES | 20.6 | 21.6                           | 22.9 | 24.2 | 24.8 | 25.6 | 28.0 | 31.0 | 35.3  | 46.6  |   |
| 2350          | 2217 | RPM   | 737  | 796                            | 851  | 903  | 955  | 1006 | 1105 | 1196 | 1285  | 1459  |   |
|               |      | BHP   | 0.58 | 0.66                           | 0.73 | 0.81 | 0.88 | 0.96 | 1.12 | 1.28 | 1.46  | 1.83  |   |
|               |      | SONES | 22.5 | 23.6                           | 24.5 | 25.7 | 27.1 | 27.5 | 29.6 | 32.3 | 36.4  | 47.2  |   |
| 2490          | 2349 | RPM   | 774  | 830                            | 883  | 932  | 982  | 1031 | 1126 | 1215 | 1300  | 1467  |   |
|               |      | BHP   | 0.68 | 0.77                           | 0.84 | 0.92 | 1.00 | 1.08 | 1.25 | 1.42 | 1.60  | 1.98  |   |
|               |      | SONES | 24.5 | 25.6                           | 26.3 | 27.3 | 28.7 | 29.7 | 31.3 | 33.9 | 37.8  | 48.1  |   |
| 2630          | 2481 | RPM   | 811  | 865                            | 916  | 963  | 1010 | 1057 | 1148 | 1236 | 1318  | 1477  |   |
|               |      | BHP   | 0.80 | 0.88                           | 0.96 | 1.05 | 1.13 | 1.22 | 1.39 | 1.57 | 1.75  | 2.14  |   |
|               |      | SONES | 26.6 | 27.6                           | 28.2 | 29.1 | 30.3 | 31.7 | 33.2 | 36.0 | 39.6  | 49.2  |   |
| 2770          | 2613 | RPM   | 849  | 900                            | 949  | 995  | 1040 | 1084 | 1172 | 1257 | 1337  | 1490  |   |
|               |      | BHP   | 0.92 | 1.01                           | 1.10 | 1.18 | 1.27 | 1.36 | 1.54 | 1.73 | 1.92  | 2.32  |   |
|               |      | SONES | 28.5 | 29.7                           | 30.3 | 31.0 | 32.1 | 33.4 | 35.6 | 38.2 | 41.6  | 50.5  |   |
| 2910          | 2745 | RPM   | 887  | 935                            | 983  | 1027 | 1070 | 1113 | 1196 | 1279 | 1358  | 1506  |   |
|               |      | BHP   | 1.06 | 1.15                           | 1.25 | 1.33 | 1.43 | 1.52 | 1.71 | 1.90 | 2.10  | 2.51  |   |
|               |      | SONES | 30.5 | 31.7                           | 32.4 | 33.0 | 34.0 | 35.3 | 38.3 | 40.5 | 43.8  | 52.4  |   |
| 3050          | 2877 | RPM   | 925  | 971                            | 1017 | 1060 | 1102 | 1142 | 1223 | 1301 | 1379  | 1524  |   |
|               |      | BHP   | 1.21 | 1.31                           | 1.41 | 1.50 | 1.59 | 1.69 | 1.89 | 2.09 | 2.30  | 2.72  |   |
|               |      | SONES | 32.7 | 33.8                           | 34.7 | 35.4 | 36.3 | 37.6 | 40.9 | 43.0 | 46.1  | 54.5  |   |
| 3190          | 3009 | RPM   | 964  | 1007                           | 1052 | 1094 | 1134 | 1173 | 1250 | 1326 | 1401  | 1542  |   |
|               |      | BHP   | 1.38 | 1.48                           | 1.58 | 1.68 | 1.78 | 1.88 | 2.08 | 2.29 | 2.51  | 2.94  |   |
|               |      | SONES | 35.0 | 36.1                           | 37.2 | 38.0 | 38.8 | 40.1 | 43.2 | 46.1 | 48.8  | 56.6  |   |
| 3330          | 3142 | RPM   | 1003 | 1044                           | 1087 | 1127 | 1167 | 1204 | 1279 | 1352 | 1424  | 1563  |   |
|               |      | BHP   | 1.56 | 1.66                           | 1.77 | 1.87 | 1.97 | 2.08 | 2.29 | 2.51 | 2.73  | 3.18  |   |
|               |      | SONES | 37.4 | 38.5                           | 39.8 | 40.5 | 41.3 | 42.5 | 45.6 | 49.2 | 51.7  | 59.2  |   |
| 3470          | 3274 | RPM   | 1042 | 1080                           | 1122 | 1161 | 1200 | 1237 | 1307 | 1379 | 1448  | 1584  |   |
|               |      | BHP   | 1.76 | 1.86                           | 1.98 | 2.08 | 2.19 | 2.30 | 2.52 | 2.74 | 2.97  | 3.44  |   |
|               |      | SONES | 40.0 | 41.0                           | 42.4 | 43.1 | 43.9 | 45.3 | 48.2 | 51.7 | 54.8  | 61.9  |   |
| 3610          | 3406 | RPM   | 1081 | 1117                           | 1157 | 1196 | 1233 | 1269 | 1338 | 1406 | 1474  | 1606  |   |
|               |      | BHP   | 1.97 | 2.07                           | 2.20 | 2.31 | 2.42 | 2.53 | 2.76 | 2.99 | 3.23  | 3.71  |   |
|               |      | SONES | 42.6 | 43.6                           | 45.0 | 46.0 | 46.7 | 48.1 | 51.0 | 54.4 | 58.2  | 64.8  |   |
| 3750          | 3538 | RPM   | 1120 | 1155                           | 1192 | 1231 | 1267 | 1302 | 1369 | 1435 | 1500  | 1629  |   |
|               |      | BHP   | 2.20 | 2.31                           | 2.43 | 2.55 | 2.67 | 2.78 | 3.02 | 3.26 | 3.50  | 4.00  |   |
|               |      | SONES | 45.5 | 46.4                           | 47.7 | 48.9 | 49.7 | 51.0 | 53.8 | 57.3 | 61.2  | 67.4  |   |

10



S&P USA Ventilation Systems, LLC., Div. of Soler & Palau Ventilation Group, certifies that the Models KSFV shown herein are licensed to bear the AMCA Seal. The ratings shown are based on test and procedures performed in accordance with AMCA Publication 211 and AMCA Publication 311 and comply with the requirement of the AMCA Certified Ratings Program.



Performance certified is for installation type B: free inlet, ducted outlet. Power rating (BHP) does not include transmission losses. Performance ratings do not include the effects of appurtenances (accessories). The sound ratings shown are loudness values in fan sones at a distance of 1.5 m (5 ft) in a hemispherical free field calculated per AMCA International Standard 301. Values shown are for installation type B: ducted outlet hemispherical sone levels. Ratings do not include the effect of duct end correction.

# KSFV12

| MODEL KSFV | CFM  | OV    |       | Static Pressure in Inches w.g. |      |      |      |      |      |   |   |
|------------|------|-------|-------|--------------------------------|------|------|------|------|------|---|---|
|            |      |       |       | 1/8                            | 1/4  | 3/8  | 1/2  | 5/8  | 3/4  | 1 |   |
| 12         | 1150 | 737   | RPM   | 366                            | -    | -    | -    | -    | -    | - | - |
|            |      |       | BHP   | 0.08                           | -    | -    | -    | -    | -    | - | - |
|            |      |       | SONES | 6.5                            | -    | -    | -    | -    | -    | - | - |
|            | 1310 | 840   | RPM   | 380                            | -    | -    | -    | -    | -    | - | - |
|            |      |       | BHP   | 0.10                           | -    | -    | -    | -    | -    | - | - |
|            |      |       | SONES | 7.6                            | -    | -    | -    | -    | -    | - | - |
|            | 1470 | 942   | RPM   | 398                            | 499  | -    | -    | -    | -    | - | - |
|            |      |       | BHP   | 0.13                           | 0.19 | -    | -    | -    | -    | - | - |
|            |      |       | SONES | 8.6                            | 10.0 | -    | -    | -    | -    | - | - |
|            | 1630 | 1045  | RPM   | 420                            | 517  | -    | -    | -    | -    | - | - |
|            |      |       | BHP   | 0.16                           | 0.24 | -    | -    | -    | -    | - | - |
|            |      |       | SONES | 9.7                            | 11.6 | -    | -    | -    | -    | - | - |
|            | 1790 | 1147  | RPM   | 444                            | 531  | 610  | -    | -    | -    | - | - |
|            |      |       | BHP   | 0.20                           | 0.27 | 0.35 | -    | -    | -    | - | - |
|            |      |       | SONES | 11.1                           | 12.9 | 14.5 | -    | -    | -    | - | - |
|            | 1950 | 1250  | RPM   | 470                            | 547  | 629  | -    | -    | -    | - | - |
|            |      |       | BHP   | 0.25                           | 0.31 | 0.42 | -    | -    | -    | - | - |
|            |      |       | SONES | 12.5                           | 14.2 | 16.0 | -    | -    | -    | - | - |
|            | 2110 | 1353  | RPM   | 496                            | 566  | 644  | 709  | -    | -    | - | - |
|            |      |       | BHP   | 0.30                           | 0.37 | 0.47 | 0.56 | -    | -    | - | - |
|            |      |       | SONES | 13.9                           | 15.5 | 17.6 | 20.0 | -    | -    | - | - |
|            | 2270 | 1455  | RPM   | 523                            | 588  | 658  | 728  | -    | -    | - | - |
|            |      |       | BHP   | 0.37                           | 0.44 | 0.52 | 0.65 | -    | -    | - | - |
|            |      |       | SONES | 15.5                           | 17.0 | 19.0 | 21.3 | -    | -    | - | - |
|            | 2430 | 1558  | RPM   | 550                            | 613  | 675  | 743  | 801  | -    | - | - |
|            |      |       | BHP   | 0.44                           | 0.52 | 0.60 | 0.72 | 0.84 | -    | - | - |
|            |      |       | SONES | 17.3                           | 18.7 | 20.6 | 22.4 | 24.2 | -    | - | - |
| 2590       | 1660 | RPM   | 578   | 638                            | 695  | 757  | 819  | 869  | -    | - |   |
|            |      | BHP   | 0.52  | 0.60                           | 0.68 | 0.79 | 0.95 | 1.04 | -    | - |   |
|            |      | SONES | 19.2  | 20.4                           | 22.0 | 23.7 | 25.5 | 27.0 | -    | - |   |
| 2750       | 1763 | RPM   | 606   | 664                            | 716  | 773  | 833  | 888  | -    | - |   |
|            |      | BHP   | 0.61  | 0.70                           | 0.79 | 0.88 | 1.03 | 1.18 | -    | - |   |
|            |      | SONES | 21.0  | 22.3                           | 23.5 | 25.2 | 26.6 | 28.4 | -    | - |   |
| 2910       | 1865 | RPM   | 635   | 690                            | 740  | 792  | 848  | 904  | -    | - |   |
|            |      | BHP   | 0.71  | 0.81                           | 0.90 | 0.99 | 1.11 | 1.29 | -    | - |   |
|            |      | SONES | 23.0  | 24.1                           | 25.1 | 26.6 | 28.1 | 29.6 | -    | - |   |
| 3070       | 1968 | RPM   | 664   | 716                            | 765  | 812  | 864  | 918  | 1013 | - |   |
|            |      | BHP   | 0.83  | 0.93                           | 1.02 | 1.12 | 1.23 | 1.39 | 1.69 | - |   |
|            |      | SONES | 24.9  | 25.9                           | 26.9 | 28.0 | 29.7 | 31.1 | 34.5 | - |   |
| 3230       | 2071 | RPM   | 694   | 743                            | 790  | 835  | 882  | 932  | 1032 | - |   |
|            |      | BHP   | 0.95  | 1.06                           | 1.16 | 1.26 | 1.36 | 1.50 | 1.88 | - |   |
|            |      | SONES | 27.0  | 27.7                           | 28.6 | 29.6 | 31.1 | 32.7 | 36.5 | - |   |
| 3390       | 2173 | RPM   | 724   | 770                            | 817  | 859  | 903  | 949  | 1046 | - |   |
|            |      | BHP   | 1.09  | 1.20                           | 1.31 | 1.41 | 1.52 | 1.64 | 2.01 | - |   |
|            |      | SONES | 28.9  | 29.5                           | 30.5 | 31.4 | 32.7 | 34.4 | 38.0 | - |   |
| 3550       | 2276 | RPM   | 754   | 797                            | 842  | 884  | 925  | 968  | 1060 | - |   |
|            |      | BHP   | 1.24  | 1.35                           | 1.47 | 1.58 | 1.69 | 1.81 | 2.14 | - |   |
|            |      | SONES | 30.9  | 31.5                           | 32.4 | 33.3 | 34.4 | 36.0 | 39.6 | - |   |
| 3710       | 2378 | RPM   | 784   | 825                            | 868  | 910  | 948  | 989  | 1075 | - |   |
|            |      | BHP   | 1.40  | 1.52                           | 1.64 | 1.76 | 1.88 | 1.99 | 2.28 | - |   |
|            |      | SONES | 33.0  | 33.5                           | 34.4 | 35.4 | 36.4 | 37.8 | 41.2 | - |   |
| 3870       | 2481 | RPM   | 814   | 854                            | 895  | 936  | 973  | 1010 | 1091 | - |   |
|            |      | BHP   | 1.58  | 1.71                           | 1.83 | 1.96 | 2.08 | 2.20 | 2.46 | - |   |
|            |      | SONES | 35.3  | 35.8                           | 36.6 | 37.6 | 38.6 | 39.7 | 43.1 | - |   |
| 4030       | 2583 | RPM   | 845   | 883                            | 921  | 962  | 998  | 1033 | 1110 | - |   |
|            |      | BHP   | 1.78  | 1.90                           | 2.03 | 2.17 | 2.29 | 2.42 | 2.68 | - |   |
|            |      | SONES | 37.6  | 38.0                           | 38.7 | 39.8 | 40.7 | 41.7 | 44.9 | - |   |
| 4190       | 2686 | RPM   | 876   | 912                            | 949  | 987  | 1024 | 1058 | 1129 | - |   |
|            |      | BHP   | 1.99  | 2.12                           | 2.26 | 2.39 | 2.52 | 2.65 | 2.92 | - |   |
|            |      | SONES | 39.9  | 40.3                           | 41.0 | 42.0 | 43.0 | 44.0 | 46.9 | - |   |
| 4350       | 2788 | RPM   | 906   | 941                            | 977  | 1014 | 1050 | 1083 | 1150 | - |   |
|            |      | BHP   | 2.22  | 2.35                           | 2.49 | 2.63 | 2.77 | 2.91 | 3.18 | - |   |
|            |      | SONES | 42.3  | 42.7                           | 43.5 | 44.4 | 45.4 | 46.4 | 49.0 | - |   |



S&P USA Ventilation Systems, LLC., Div. of Soler & Palau Ventilation Group, certifies that the Models KSFV shown herein are licensed to bear the AMCA Seal. The ratings shown are based on test and procedures performed in accordance with AMCA Publication 211 and AMCA Publication 311 and comply with the requirement of the AMCA Certified Ratings Program.



Performance certified is for installation type B: free inlet, ducted outlet. Power rating (BHP) does not include transmission losses. Performance ratings do not include the effects of appurtenances (accessories). The sound ratings shown are loudness values in fan sones at a distance of 1.5 m (5 ft) in a hemispherical free field calculated per AMCA International Standard 301. Values shown are for installation type B: ducted outlet hemispherical sone levels. Ratings do not include the effect of duct end correction.



KSFV15

| MODEL KSFV | CFM  | OV    |       | Static Pressure in Inches w.g. |      |      |      |      |      |      |       |   |   |
|------------|------|-------|-------|--------------------------------|------|------|------|------|------|------|-------|---|---|
|            |      |       |       | 1/8                            | 1/4  | 3/8  | 1/2  | 5/8  | 3/4  | 1    | 1 1/4 | 1 |   |
| 15         | 1625 | 789   | RPM   | 299                            | -    | -    | -    | -    | -    | -    | -     | - | - |
|            |      |       | BHP   | 0.11                           | -    | -    | -    | -    | -    | -    | -     | - | - |
|            |      |       | SONES | 5.8                            | -    | -    | -    | -    | -    | -    | -     | - | - |
|            | 1840 | 893   | RPM   | 317                            | 390  | -    | -    | -    | -    | -    | -     | - | - |
|            |      |       | BHP   | 0.14                           | 0.20 | -    | -    | -    | -    | -    | -     | - | - |
|            |      |       | SONES | 7.8                            | 6.2  | -    | -    | -    | -    | -    | -     | - | - |
|            | 2055 | 998   | RPM   | 335                            | 403  | -    | -    | -    | -    | -    | -     | - | - |
|            |      |       | BHP   | 0.18                           | 0.24 | -    | -    | -    | -    | -    | -     | - | - |
|            |      |       | SONES | 8.9                            | 7.8  | -    | -    | -    | -    | -    | -     | - | - |
|            | 2270 | 1102  | RPM   | 355                            | 420  | 479  | -    | -    | -    | -    | -     | - | - |
|            |      |       | BHP   | 0.23                           | 0.29 | 0.36 | -    | -    | -    | -    | -     | - | - |
|            |      |       | SONES | 10.0                           | 10.0 | 9.4  | -    | -    | -    | -    | -     | - | - |
|            | 2485 | 1206  | RPM   | 376                            | 438  | 491  | 546  | -    | -    | -    | -     | - | - |
|            |      |       | BHP   | 0.28                           | 0.36 | 0.43 | 0.51 | -    | -    | -    | -     | - | - |
|            |      |       | SONES | 11.4                           | 12.9 | 10.8 | 12.1 | -    | -    | -    | -     | - | - |
| 2700       | 1311 | RPM   | 398   | 456                            | 508  | 557  | 608  | -    | -    | -    | -     | - |   |
|            |      | BHP   | 0.35  | 0.43                           | 0.51 | 0.59 | 0.68 | -    | -    | -    | -     | - |   |
|            |      | SONES | 12.8  | 14.3                           | 13.2 | 13.4 | 15.4 | -    | -    | -    | -     | - |   |
| 2915       | 1415 | RPM   | 421   | 475                            | 526  | 571  | 617  | -    | -    | -    | -     | - |   |
|            |      | BHP   | 0.42  | 0.51                           | 0.60 | 0.68 | 0.77 | -    | -    | -    | -     | - |   |
|            |      | SONES | 14.3  | 15.6                           | 16.0 | 15.2 | 16.4 | -    | -    | -    | -     | - |   |
| 3130       | 1519 | RPM   | 444   | 495                            | 544  | 587  | 629  | 673  | -    | -    | -     | - |   |
|            |      | BHP   | 0.51  | 0.60                           | 0.70 | 0.79 | 0.88 | 0.98 | -    | -    | -     | - |   |
|            |      | SONES | 16.0  | 17.1                           | 18.8 | 17.5 | 17.8 | 18.5 | -    | -    | -     | - |   |
| 3345       | 1624 | RPM   | 468   | 515                            | 562  | 605  | 645  | 684  | -    | -    | -     | - |   |
|            |      | BHP   | 0.61  | 0.70                           | 0.81 | 0.91 | 1.01 | 1.11 | -    | -    | -     | - |   |
|            |      | SONES | 17.8  | 18.7                           | 20.3 | 20.4 | 19.6 | 19.6 | -    | -    | -     | - |   |
| 3560       | 1728 | RPM   | 492   | 536                            | 581  | 623  | 662  | 698  | 775  | -    | -     | - |   |
|            |      | BHP   | 0.72  | 0.82                           | 0.93 | 1.04 | 1.14 | 1.25 | 1.48 | -    | -     | - |   |
|            |      | SONES | 19.6  | 20.4                           | 21.9 | 23.4 | 21.7 | 21.4 | 22.7 | -    | -     | - |   |
| 3775       | 1833 | RPM   | 517   | 558                            | 600  | 642  | 680  | 715  | 785  | -    | -     | - |   |
|            |      | BHP   | 0.85  | 0.95                           | 1.07 | 1.18 | 1.29 | 1.40 | 1.64 | -    | -     | - |   |
|            |      | SONES | 21.4  | 22.3                           | 23.6 | 24.9 | 24.7 | 23.4 | 23.9 | -    | -     | - |   |
| 3990       | 1937 | RPM   | 542   | 581                            | 620  | 660  | 698  | 732  | 798  | 866  | -     | - |   |
|            |      | BHP   | 0.99  | 1.10                           | 1.22 | 1.34 | 1.46 | 1.58 | 1.81 | 2.07 | -     | - |   |
|            |      | SONES | 23.4  | 24.2                           | 25.2 | 26.4 | 27.6 | 26.0 | 25.4 | 27.1 | -     | - |   |
| 4205       | 2041 | RPM   | 567   | 604                            | 641  | 679  | 716  | 750  | 813  | 877  | 942   | - |   |
|            |      | BHP   | 1.15  | 1.26                           | 1.38 | 1.51 | 1.64 | 1.76 | 2.01 | 2.27 | 2.55  | - |   |
|            |      | SONES | 25.4  | 26.2                           | 26.9 | 28.0 | 29.2 | 29.4 | 27.3 | 28.3 | 31.0  | - |   |
| 4420       | 2146 | RPM   | 592   | 627                            | 662  | 699  | 735  | 768  | 830  | 890  | 951   | - |   |
|            |      | BHP   | 1.32  | 1.44                           | 1.56 | 1.70 | 1.84 | 1.97 | 2.22 | 2.49 | 2.78  | - |   |
|            |      | SONES | 27.5  | 28.0                           | 28.6 | 29.6 | 30.8 | 32.0 | 29.6 | 30.0 | 32.3  | - |   |
| 4635       | 2250 | RPM   | 617   | 651                            | 684  | 719  | 754  | 786  | 848  | 905  | 962   | - |   |
|            |      | BHP   | 1.51  | 1.63                           | 1.76 | 1.90 | 2.05 | 2.19 | 2.46 | 2.73 | 3.02  | - |   |
|            |      | SONES | 29.5  | 29.9                           | 30.4 | 31.4 | 32.6 | 33.8 | 32.9 | 32.4 | 34.0  | - |   |
| 4850       | 2354 | RPM   | 642   | 675                            | 707  | 740  | 773  | 805  | 866  | 921  | 975   | - |   |
|            |      | BHP   | 1.72  | 1.85                           | 1.98 | 2.12 | 2.27 | 2.42 | 2.71 | 2.99 | 3.28  | - |   |
|            |      | SONES | 31.4  | 31.9                           | 32.4 | 33.2 | 34.4 | 35.6 | 36.7 | 35.1 | 36.0  | - |   |
| 5065       | 2459 | RPM   | 668   | 700                            | 730  | 761  | 793  | 824  | 884  | 938  | 990   | - |   |
|            |      | BHP   | 1.94  | 2.08                           | 2.21 | 2.35 | 2.51 | 2.68 | 2.98 | 3.27 | 3.57  | - |   |
|            |      | SONES | 33.5  | 34.0                           | 34.5 | 35.3 | 36.3 | 37.6 | 40.1 | 38.1 | 38.4  | - |   |
| 5280       | 2563 | RPM   | 693   | 724                            | 754  | 783  | 813  | 844  | 902  | 956  | 1006  | - |   |
|            |      | BHP   | 2.19  | 2.33                           | 2.47 | 2.61 | 2.77 | 2.95 | 3.26 | 3.57 | 3.88  | - |   |
|            |      | SONES | 35.7  | 36.3                           | 36.8 | 37.4 | 38.4 | 39.6 | 42.0 | 41.5 | 41.3  | - |   |
| 5495       | 2667 | RPM   | 719   | 749                            | 777  | 805  | 834  | 864  | 921  | 974  | 1023  | - |   |
|            |      | BHP   | 2.45  | 2.60                           | 2.75 | 2.90 | 3.06 | 3.23 | 3.57 | 3.90 | 4.22  | - |   |
|            |      | SONES | 38.1  | 38.6                           | 39.1 | 39.7 | 40.5 | 41.6 | 44.1 | 45.8 | 44.5  | - |   |
| 5710       | 2772 | RPM   | 745   | 774                            | 801  | 828  | 855  | 884  | 940  | 992  | 1041  | - |   |
|            |      | BHP   | 2.74  | 2.90                           | 3.05 | 3.20 | 3.36 | 3.54 | 3.90 | 4.24 | 4.57  | - |   |
|            |      | SONES | 40.4  | 40.9                           | 41.5 | 42.0 | 42.8 | 43.8 | 46.3 | 48.8 | 47.9  | - |   |
| 5925       | 2876 | RPM   | 770   | 799                            | 825  | 851  | 877  | 904  | 959  | 1011 | 1059  | - |   |
|            |      | BHP   | 3.05  | 3.21                           | 3.37 | 3.53 | 3.69 | 3.87 | 4.25 | 4.60 | 4.95  | - |   |
|            |      | SONES | 42.9  | 43.4                           | 44.0 | 44.5 | 45.2 | 46.1 | 48.5 | 51.0 | 51.6  | - |   |



S&P USA Ventilation Systems, LLC., Div. of Soler & Palau Ventilation Group, certifies that the Models KSFV shown herein are licensed to bear the AMCA Seal. The ratings shown are based on test and procedures performed in accordance with AMCA Publication 211 and AMCA Publication 311 and comply with the requirement of the AMCA Certified Ratings Program.



Performance certified is for installation type B: free inlet, ducted outlet. Power rating (BHP) does not include transmission losses. Performance ratings do not include the effects of appurtenances (accessories). The sound ratings shown are loudness values in fan sones at a distance of 1.5 m (5 ft) in a hemispherical free field calculated per AMCA International Standard 301. Values shown are for installation type B: ducted outlet hemispherical sone levels. Ratings do not include the effect of duct end correction.

# KSFV18

| MODEL<br>KSFV | CFM  | OV    |       | Static Pressure in Inches w.g. |      |      |      |      |      |      |       |       |   |   |
|---------------|------|-------|-------|--------------------------------|------|------|------|------|------|------|-------|-------|---|---|
|               |      |       |       | 1/8                            | 1/4  | 3/8  | 1/2  | 5/8  | 3/4  | 1    | 1 1/4 | 1 1/2 | 2 |   |
| 18            | 2200 | 759   | RPM   | 270                            | 333  | -    | -    | -    | -    | -    | -     | -     | - | - |
|               |      |       | BHP   | 0.16                           | 0.23 | -    | -    | -    | -    | -    | -     | -     | - | - |
|               |      |       | SONES | 7.4                            | 9.2  | -    | -    | -    | -    | -    | -     | -     | - | - |
|               | 2490 | 859   | RPM   | 291                            | 346  | 400  | -    | -    | -    | -    | -     | -     | - | - |
|               |      |       | BHP   | 0.22                           | 0.29 | 0.38 | -    | -    | -    | -    | -     | -     | - | - |
|               |      |       | SONES | 8.9                            | 10.3 | 13.3 | -    | -    | -    | -    | -     | -     | - | - |
|               | 2780 | 959   | RPM   | 311                            | 360  | 412  | 459  | -    | -    | -    | -     | -     | - | - |
|               |      |       | BHP   | 0.29                           | 0.36 | 0.45 | 0.55 | -    | -    | -    | -     | -     | - | - |
|               |      |       | SONES | 10.4                           | 11.6 | 14.4 | 16.5 | -    | -    | -    | -     | -     | - | - |
|               | 3070 | 1059  | RPM   | 330                            | 379  | 424  | 470  | 512  | -    | -    | -     | -     | - | - |
|               |      |       | BHP   | 0.36                           | 0.45 | 0.54 | 0.65 | 0.75 | -    | -    | -     | -     | - | - |
|               |      |       | SONES | 12.0                           | 13.5 | 15.5 | 17.6 | 19.6 | -    | -    | -     | -     | - | - |
|               | 3360 | 1159  | RPM   | 351                            | 400  | 438  | 482  | 522  | 560  | -    | -     | -     | - | - |
|               |      |       | BHP   | 0.45                           | 0.56 | 0.65 | 0.76 | 0.87 | 0.99 | -    | -     | -     | - | - |
|               |      |       | SONES | 13.8                           | 15.6 | 16.8 | 18.7 | 20.5 | 22.6 | -    | -     | -     | - | - |
|               | 3650 | 1259  | RPM   | 372                            | 421  | 456  | 494  | 534  | 571  | -    | -     | -     | - | - |
|               |      |       | BHP   | 0.56                           | 0.68 | 0.77 | 0.88 | 1.01 | 1.13 | -    | -     | -     | - | - |
|               |      |       | SONES | 15.7                           | 17.3 | 18.5 | 19.9 | 21.8 | 23.8 | -    | -     | -     | - | - |
| 3940          | 1359 | RPM   | 395   | 440                            | 477  | 509  | 547  | 583  | 648  | -    | -     | -     | - |   |
|               |      | BHP   | 0.68  | 0.81                           | 0.92 | 1.03 | 1.16 | 1.29 | 1.55 | -    | -     | -     | - |   |
|               |      | SONES | 17.9  | 19.1                           | 20.4 | 21.4 | 23.0 | 25.2 | 29.6 | -    | -     | -     | - |   |
| 4230          | 1459 | RPM   | 419   | 459                            | 498  | 528  | 560  | 595  | 660  | 721  | -     | -     | - |   |
|               |      | BHP   | 0.83  | 0.96                           | 1.09 | 1.20 | 1.32 | 1.46 | 1.75 | 2.05 | -     | -     | - |   |
|               |      | SONES | 20.0  | 20.8                           | 22.2 | 23.1 | 24.5 | 26.6 | 31.1 | 36.2 | -     | -     | - |   |
| 4520          | 1559 | RPM   | 443   | 480                            | 518  | 549  | 576  | 608  | 672  | 730  | -     | -     | - |   |
|               |      | BHP   | 1.00  | 1.13                           | 1.28 | 1.40 | 1.52 | 1.66 | 1.96 | 2.27 | -     | -     | - |   |
|               |      | SONES | 22.0  | 22.6                           | 24.0 | 25.2 | 26.4 | 28.2 | 32.7 | 37.5 | -     | -     | - |   |
| 4810          | 1659 | RPM   | 467   | 501                            | 538  | 570  | 596  | 623  | 684  | 741  | 794   | -     | - |   |
|               |      | BHP   | 1.19  | 1.32                           | 1.48 | 1.62 | 1.75 | 1.88 | 2.19 | 2.51 | 2.85  | -     | - |   |
|               |      | SONES | 24.0  | 24.7                           | 25.9 | 27.5 | 28.7 | 30.0 | 34.4 | 39.1 | 44.3  | -     | - |   |
| 5100          | 1759 | RPM   | 492   | 522                            | 557  | 591  | 617  | 641  | 696  | 753  | 805   | -     | - |   |
|               |      | BHP   | 1.40  | 1.53                           | 1.71 | 1.87 | 2.00 | 2.13 | 2.44 | 2.78 | 3.13  | -     | - |   |
|               |      | SONES | 26.2  | 26.7                           | 27.9 | 29.8 | 31.0 | 32.3 | 36.1 | 40.9 | 46.0  | -     | - |   |
| 5390          | 1859 | RPM   | 516   | 545                            | 577  | 610  | 638  | 662  | 710  | 765  | 816   | 912   | - |   |
|               |      | BHP   | 1.64  | 1.77                           | 1.95 | 2.13 | 2.28 | 2.42 | 2.72 | 3.08 | 3.43  | 4.19  | - |   |
|               |      | SONES | 28.5  | 29.1                           | 30.1 | 31.9 | 33.6 | 34.9 | 38.0 | 42.8 | 47.5  | 55.0  | - |   |
| 5680          | 1959 | RPM   | 541   | 568                            | 598  | 629  | 659  | 682  | 726  | 777  | 829   | 922   | - |   |
|               |      | BHP   | 1.90  | 2.04                           | 2.22 | 2.41 | 2.58 | 2.73 | 3.03 | 3.39 | 3.77  | 4.54  | - |   |
|               |      | SONES | 30.9  | 31.5                           | 32.4 | 34.2 | 36.2 | 37.6 | 40.4 | 44.7 | 49.2  | 56.3  | - |   |
| 5970          | 2059 | RPM   | 566   | 591                            | 619  | 649  | 678  | 704  | 746  | 791  | 841   | 933   | - |   |
|               |      | BHP   | 2.19  | 2.34                           | 2.51 | 2.72 | 2.91 | 3.08 | 3.38 | 3.73 | 4.13  | 4.92  | - |   |
|               |      | SONES | 33.4  | 33.9                           | 34.8 | 36.7 | 38.7 | 40.4 | 43.3 | 47.1 | 50.9  | 57.9  | - |   |
| 6260          | 2159 | RPM   | 591   | 615                            | 641  | 669  | 698  | 724  | 766  | 807  | 853   | 944   | - |   |
|               |      | BHP   | 2.52  | 2.66                           | 2.83 | 3.05 | 3.25 | 3.45 | 3.77 | 4.11 | 4.50  | 5.34  | - |   |
|               |      | SONES | 36.2  | 36.7                           | 37.6 | 39.2 | 41.3 | 43.4 | 46.4 | 49.6 | 52.7  | 59.7  | - |   |
| 6550          | 2259 | RPM   | 616   | 639                            | 663  | 689  | 717  | 744  | 787  | 825  | 868   | 957   | - |   |
|               |      | BHP   | 2.87  | 3.02                           | 3.19 | 3.40 | 3.63 | 3.83 | 4.20 | 4.53 | 4.92  | 5.79  | - |   |
|               |      | SONES | 39.4  | 39.7                           | 40.4 | 42.0 | 44.0 | 46.2 | 49.7 | 52.2 | 54.7  | 61.6  | - |   |
| 6840          | 2359 | RPM   | 641   | 664                            | 686  | 710  | 737  | 763  | 809  | 845  | 883   | 969   | - |   |
|               |      | BHP   | 3.25  | 3.41                           | 3.57 | 3.79 | 4.03 | 4.25 | 4.65 | 5.00 | 5.37  | 6.26  | - |   |
|               |      | SONES | 42.6  | 43.0                           | 43.5 | 44.9 | 46.8 | 49.0 | 52.9 | 54.8 | 56.9  | 63.4  | - |   |
| 7130          | 2459 | RPM   | 666   | 688                            | 709  | 732  | 757  | 782  | 830  | 866  | 901   | 981   | - |   |
|               |      | BHP   | 3.66  | 3.84                           | 4.00 | 4.21 | 4.46 | 4.69 | 5.13 | 5.51 | 5.88  | 6.76  | - |   |
|               |      | SONES | 46.1  | 46.4                           | 46.7 | 48.0 | 49.9 | 52.0 | 55.7 | 57.7 | 59.6  | 65.4  | - |   |
| 7420          | 2559 | RPM   | 690   | 713                            | 733  | 755  | 778  | 802  | 849  | 887  | 921   | 995   | - |   |
|               |      | BHP   | 4.10  | 4.30                           | 4.47 | 4.67 | 4.92 | 5.17 | 5.64 | 6.05 | 6.43  | 7.29  | - |   |
|               |      | SONES | 49.6  | 50.0                           | 50.3 | 51.3 | 53.1 | 55.3 | 58.3 | 60.6 | 62.5  | 67.5  | - |   |
| 7710          | 2659 | RPM   | 715   | 738                            | 757  | 777  | 799  | 822  | 868  | 909  | 942   | 1009  | - |   |
|               |      | BHP   | 4.58  | 4.79                           | 4.97 | 5.16 | 5.41 | 5.67 | 6.18 | 6.63 | 7.02  | 7.87  | - |   |
|               |      | SONES | 53.4  | 53.9                           | 54.1 | 54.8 | 56.5 | 57.9 | 61.0 | 63.6 | 65.5  | 69.7  | - |   |
| 8000          | 2759 | RPM   | 740   | 762                            | 782  | 800  | 821  | 843  | 887  | 930  | 963   | 1026  | - |   |
|               |      | BHP   | 5.10  | 5.32                           | 5.51 | 5.70 | 5.94 | 6.21 | 6.74 | 7.24 | 7.66  | 8.50  | - |   |
|               |      | SONES | 57.4  | 57.9                           | 58.1 | 58.5 | 59.5 | 60.7 | 63.6 | 66.5 | 68.6  | 72.5  | - |   |



S&P USA Ventilation Systems, LLC., Div. of Soler & Palau Ventilation Group, certifies that the Models KSFV shown herein are licensed to bear the AMCA Seal. The ratings shown are based on test and procedures performed in accordance with AMCA Publication 211 and AMCA Publication 311 and comply with the requirement of the AMCA Certified Ratings Program.



Performance certified is for installation type B: free inlet, ducted outlet. Power rating (BHP) does not include transmission losses. Performance ratings do not include the effects of appurtenances (accessories). The sound ratings shown are loudness values in fan sones at a distance of 1.5 m (5 ft) in a hemispherical free field calculated per AMCA International Standard 301. Values shown are for installation type B: ducted outlet hemispherical sone levels. Ratings do not include the effect of duct end correction.





# KSFV20

| MODEL<br>KSFV | CFM  | OV    |       | Static Pressure in Inches w.g. |       |       |       |       |       |       |       |       |       |       |
|---------------|------|-------|-------|--------------------------------|-------|-------|-------|-------|-------|-------|-------|-------|-------|-------|
|               |      |       |       | 1/8                            | 1/4   | 3/8   | 1/2   | 5/8   | 3/4   | 1     | 1 1/4 | 1 1/2 | 2     | 2 1/2 |
| 2600          | 618  | RPM   | 236   | 294                            | 346   | 392   | 433   | -     | -     | -     | -     | -     | -     |       |
|               |      | BHP   | 0.17  | 0.26                           | 0.37  | 0.48  | 0.60  | -     | -     | -     | -     | -     | -     |       |
|               |      | SONES | 7.0   | 11.3                           | 15.3  | 17.7  | 20.2  | -     | -     | -     | -     | -     | -     |       |
| 3100          | 736  | RPM   | 258   | 311                            | 358   | 401   | 441   | 479   | 545   | -     | -     | -     | -     |       |
|               |      | BHP   | 0.25  | 0.35                           | 0.47  | 0.59  | 0.72  | 0.86  | 1.14  | -     | -     | -     | -     |       |
|               |      | SONES | 8.7   | 13.2                           | 16.1  | 18.5  | 20.8  | 23.2  | 28.0  | -     | -     | -     | -     |       |
| 3600          | 855  | RPM   | 283   | 330                            | 374   | 414   | 452   | 487   | 553   | 612   | -     | -     | -     |       |
|               |      | BHP   | 0.34  | 0.46                           | 0.59  | 0.72  | 0.87  | 1.02  | 1.33  | 1.66  | -     | -     | -     |       |
|               |      | SONES | 11.2  | 15.3                           | 17.3  | 19.5  | 21.8  | 24.0  | 29.3  | 37.5  | -     | -     | -     |       |
| 4100          | 974  | RPM   | 309   | 352                            | 392   | 429   | 465   | 499   | 561   | 619   | 672   | -     | -     |       |
|               |      | BHP   | 0.47  | 0.60                           | 0.74  | 0.88  | 1.04  | 1.20  | 1.54  | 1.89  | 2.27  | -     | -     |       |
|               |      | SONES | 13.9  | 16.7                           | 18.8  | 20.9  | 22.9  | 25.0  | 30.6  | 39.0  | 47.0  | -     | -     |       |
| 4600          | 1093 | RPM   | 337   | 376                            | 412   | 447   | 481   | 512   | 572   | 628   | 680   | 774   | -     |       |
|               |      | BHP   | 0.62  | 0.77                           | 0.92  | 1.08  | 1.24  | 1.41  | 1.77  | 2.16  | 2.56  | 3.39  | -     |       |
|               |      | SONES | 16.5  | 18.4                           | 20.4  | 22.4  | 24.3  | 26.4  | 32.5  | 40.7  | 47.8  | 56.1  | -     |       |
| 5100          | 1211 | RPM   | 364   | 401                            | 435   | 467   | 498   | 528   | 586   | 639   | 689   | 782   | 865   |       |
|               |      | BHP   | 0.81  | 0.98                           | 1.14  | 1.31  | 1.48  | 1.67  | 2.05  | 2.45  | 2.88  | 3.77  | 4.70  |       |
|               |      | SONES | 18.4  | 20.3                           | 22.2  | 24.0  | 26.0  | 28.1  | 34.7  | 43.1  | 48.8  | 57.2  | 65.7  |       |
| 5600          | 1330 | RPM   | 393   | 427                            | 458   | 489   | 518   | 546   | 601   | 652   | 700   | 790   | 873   |       |
|               |      | BHP   | 1.04  | 1.22                           | 1.40  | 1.58  | 1.77  | 1.96  | 2.36  | 2.79  | 3.23  | 4.17  | 5.16  |       |
|               |      | SONES | 20.6  | 22.4                           | 24.1  | 26.0  | 27.9  | 30.5  | 37.4  | 45.9  | 50.1  | 58.3  | 66.8  |       |
| 6100          | 1449 | RPM   | 421   | 454                            | 483   | 512   | 539   | 566   | 618   | 666   | 713   | 800   | 880   |       |
|               |      | BHP   | 1.30  | 1.50                           | 1.70  | 1.89  | 2.09  | 2.30  | 2.72  | 3.17  | 3.63  | 4.62  | 5.66  |       |
|               |      | SONES | 22.9  | 24.6                           | 26.4  | 28.2  | 30.4  | 33.5  | 40.5  | 47.9  | 51.5  | 59.7  | 68.0  |       |
| 6600          | 1568 | RPM   | 450   | 481                            | 509   | 536   | 562   | 587   | 636   | 683   | 728   | 812   | 890   |       |
|               |      | BHP   | 1.61  | 1.83                           | 2.04  | 2.25  | 2.47  | 2.68  | 3.13  | 3.60  | 4.08  | 5.12  | 6.20  |       |
|               |      | SONES | 25.5  | 27.1                           | 28.8  | 30.7  | 33.6  | 36.8  | 44.3  | 49.8  | 53.3  | 61.3  | 69.4  |       |
| 7100          | 1686 | RPM   | 480   | 509                            | 536   | 561   | 585   | 609   | 656   | 701   | 744   | 825   | 901   |       |
|               |      | BHP   | 1.97  | 2.20                           | 2.43  | 2.66  | 2.89  | 3.12  | 3.59  | 4.08  | 4.59  | 5.66  | 6.80  |       |
|               |      | SONES | 28.1  | 29.7                           | 31.5  | 34.2  | 37.2  | 40.5  | 48.4  | 51.8  | 55.3  | 63.2  | 71.2  |       |
| 7600          | 1805 | RPM   | 509   | 537                            | 563   | 587   | 610   | 633   | 677   | 720   | 761   | 839   | 913   |       |
|               |      | BHP   | 2.38  | 2.63                           | 2.88  | 3.12  | 3.36  | 3.61  | 4.11  | 4.62  | 5.15  | 6.26  | 7.44  |       |
|               |      | SONES | 30.9  | 32.6                           | 35.3  | 38.1  | 41.3  | 44.8  | 50.5  | 54.0  | 57.6  | 65.2  | 73.1  |       |
| 8100          | 1924 | RPM   | 539   | 566                            | 590   | 613   | 635   | 657   | 699   | 740   | 780   | 855   | 927   |       |
|               |      | BHP   | 2.84  | 3.11                           | 3.37  | 3.64  | 3.89  | 4.16  | 4.68  | 5.22  | 5.77  | 6.93  | 8.14  |       |
|               |      | SONES | 34.0  | 36.6                           | 39.4  | 42.5  | 45.9  | 49.4  | 52.8  | 56.3  | 60.2  | 67.5  | 75.3  |       |
| 8600          | 2043 | RPM   | 569   | 594                            | 618   | 640   | 661   | 682   | 722   | 761   | 799   | 872   | 942   |       |
|               |      | BHP   | 3.36  | 3.65                           | 3.93  | 4.21  | 4.48  | 4.76  | 5.32  | 5.88  | 6.46  | 7.66  | 8.92  |       |
|               |      | SONES | 38.2  | 41.1                           | 43.9  | 47.4  | 50.4  | 52.1  | 55.4  | 59.1  | 62.9  | 70.1  | 77.8  |       |
| 9100          | 2162 | RPM   | 599   | 623                            | 646   | 668   | 688   | 708   | 746   | 784   | 820   | 890   | 958   |       |
|               |      | BHP   | 3.94  | 4.25                           | 4.55  | 4.85  | 5.14  | 5.43  | 6.02  | 6.61  | 7.21  | 8.45  | 9.76  |       |
|               |      | SONES | 43.0  | 46.0                           | 49.1  | 51.6  | 53.3  | 54.9  | 58.3  | 62.1  | 65.7  | 72.8  | 80.5  |       |
| 9600          | 2280 | RPM   | 629   | 652                            | 675   | 695   | 715   | 734   | 771   | 807   | 842   | 910   | 975   |       |
|               |      | BHP   | 4.59  | 4.92                           | 5.24  | 5.55  | 5.86  | 6.17  | 6.79  | 7.41  | 8.04  | 9.33  | 10.68 |       |
|               |      | SONES | 48.4  | 51.6                           | 53.2  | 54.7  | 56.4  | 58.1  | 61.6  | 65.2  | 68.6  | 76.0  | 83.5  |       |
| 10100         | 2399 | RPM   | 659   | 682                            | 703   | 723   | 742   | 761   | 796   | 831   | 865   | 930   | -     |       |
|               |      | BHP   | 5.31  | 5.66                           | 5.99  | 6.33  | 6.65  | 6.98  | 7.62  | 8.28  | 8.94  | 10.28 | -     |       |
|               |      | SONES | 54.2  | 55.4                           | 56.7  | 58.1  | 59.8  | 61.5  | 65.1  | 68.4  | 71.9  | 79.2  | -     |       |
| 10600         | 2518 | RPM   | 689   | 711                            | 732   | 751   | 770   | 788   | 822   | 855   | 888   | 951   | -     |       |
|               |      | BHP   | 6.10  | 6.46                           | 6.82  | 7.17  | 7.52  | 7.86  | 8.54  | 9.22  | 9.91  | 11.30 | -     |       |
|               |      | SONES | 57.7  | 58.9                           | 60.3  | 61.6  | 63.5  | 65.3  | 68.6  | 71.9  | 75.5  | 82.6  | -     |       |
| 11100         | 2637 | RPM   | 720   | 741                            | 761   | 780   | 798   | 815   | 848   | 880   | 912   | -     | -     |       |
|               |      | BHP   | 6.97  | 7.35                           | 7.72  | 8.09  | 8.46  | 8.82  | 9.53  | 10.24 | 10.96 | -     | -     |       |
|               |      | SONES | 61.3  | 62.8                           | 64.3  | 65.8  | 67.4  | 69.1  | 72.4  | 75.7  | 79.2  | -     | -     |       |
| 11600         | 2755 | RPM   | 750   | 771                            | 790   | 808   | 826   | 843   | 875   | 906   | -     | -     | -     |       |
|               |      | BHP   | 7.92  | 8.32                           | 8.71  | 9.10  | 9.48  | 9.86  | 10.60 | 11.34 | -     | -     | -     |       |
|               |      | SONES | 65.5  | 67.0                           | 68.5  | 69.9  | 71.4  | 73.0  | 76.4  | 79.7  | -     | -     | -     |       |
| 12100         | 2874 | RPM   | 781   | 800                            | 819   | 837   | 854   | 871   | -     | -     | -     | -     | -     |       |
|               |      | BHP   | 8.95  | 9.37                           | 9.78  | 10.18 | 10.59 | 10.98 | -     | -     | -     | -     | -     |       |
|               |      | SONES | 69.7  | 71.2                           | 72.6  | 74.1  | 75.7  | 77.3  | -     | -     | -     | -     | -     |       |
| 12600         | 2993 | RPM   | 812   | 830                            | 848   | 866   | -     | -     | -     | -     | -     | -     | -     |       |
|               |      | BHP   | 10.07 | 10.50                          | 10.93 | 11.35 | -     | -     | -     | -     | -     | -     | -     |       |
|               |      | SONES | 74.0  | 75.5                           | 77.1  | 78.6  | -     | -     | -     | -     | -     | -     | -     |       |

20

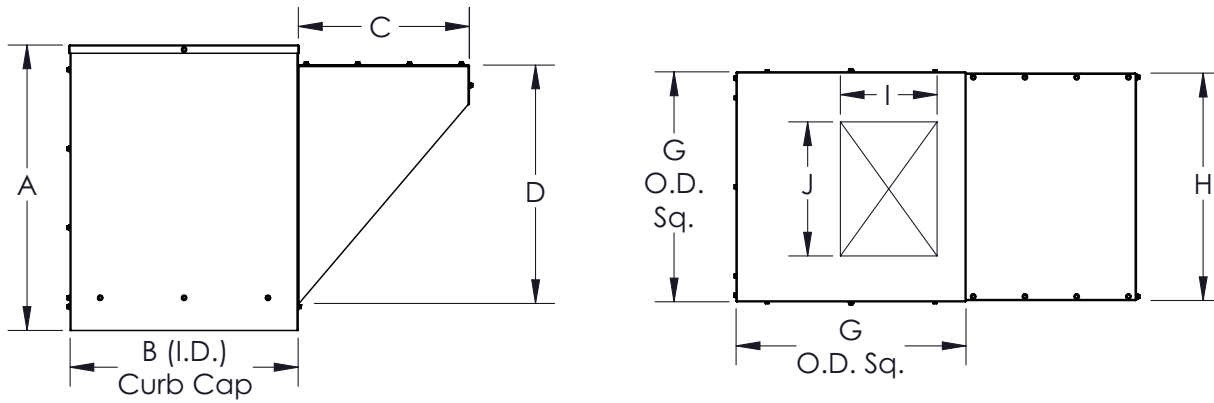


S&P USA Ventilation Systems, LLC., Div. of Soler & Palau Ventilation Group, certifies that the Models KSFV shown herein are licensed to bear the AMCA Seal. The ratings shown are based on test and procedures performed in accordance with AMCA Publication 211 and AMCA Publication 311 and comply with the requirement of the AMCA Certified Ratings Program.



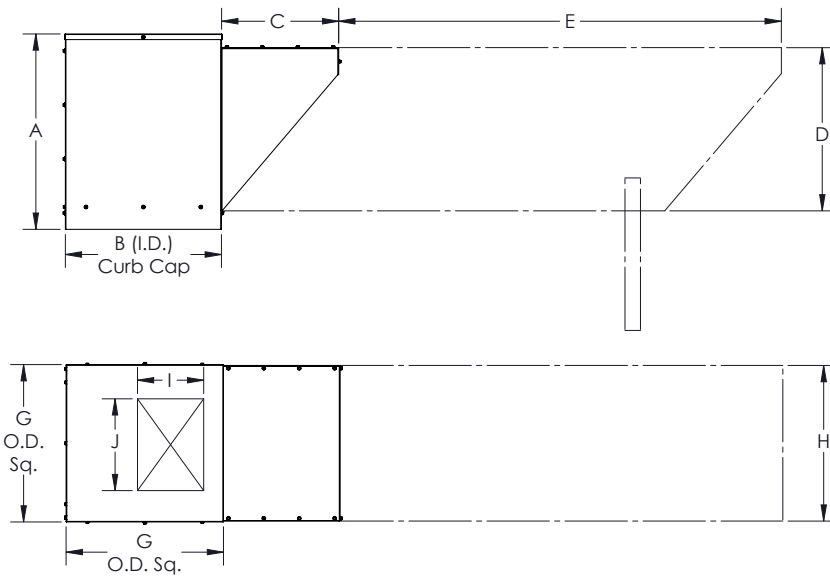
Performance certified is for installation type B: free inlet, ducted outlet. Power rating (BHP) does not include transmission losses. Performance ratings do not include the effects of appurtenances (accessories). The sound ratings shown are loudness values in fan sones at a distance of 1.5 m (5 ft) in a hemispherical free field calculated per AMCA International Standard 301. Values shown are for installation type B: ducted outlet hemispherical sone levels. Ratings do not include the effect of duct end correction.

## DIMENSIONS



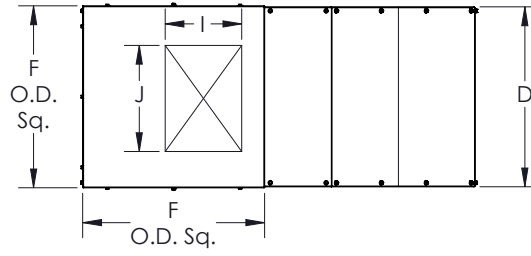
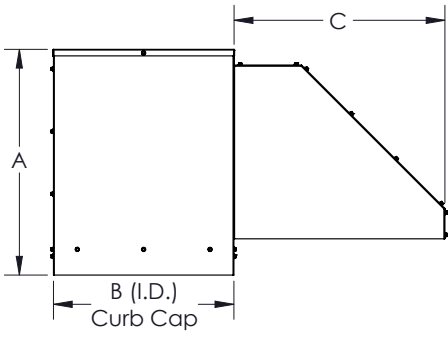
| Model Size | Damper OD | Curb OD | Curb Cap ID (B) | A      | C  | G      | I      | J      | FILTERS (QTY) |
|------------|-----------|---------|-----------------|--------|----|--------|--------|--------|---------------|
| KSFV 9     | 18-1/2    | 22-1/2  | 23-7/8          | 30     | 18 | 24     | 24     | 24     | 20 X 20 (1)   |
| KSFV 10    | 28-1/2    | 32-1/2  | 33-7/8          | 35     | 18 | 34     | 34     | 34     | 16 X 25 (2)   |
| KSFV 12    | 28-1/2    | 32-1/2  | 33-7/8          | 35     | 18 | 34     | 34     | 34     | 16 X 25 (2)   |
| KSFV 15    | 28-1/2    | 32-1/2  | 33-7/8          | 35     | 18 | 34     | 34     | 34     | 16 X 25 (2)   |
| KSFV 18    | 36-1/2    | 40-1/2  | 41-7/8          | 49     | 18 | 42     | 42     | 42     | 20 X 25 (2)   |
| KSFV 20    | 44-1/2    | 49      | 51-7/8          | 49-1/8 | 23 | 51-3/8 | 51-3/8 | 51-3/8 | 24 X 30 (2)   |

## DIMENSIONS WITH OPTIONAL INTAKE EXTENSION



| Model Size | Damper OD | Curb OD | Curb Cap ID (B) | A      | C  | D      | E      | G      | H      | I      | J      | FILTERS (QTY) |
|------------|-----------|---------|-----------------|--------|----|--------|--------|--------|--------|--------|--------|---------------|
| KSFV 9     | 18-1/2    | 22-1/2  | 23-7/8          | 30     | 18 | 25     | 74-1/4 | 24     | 24     | 24     | 24     | 20 X 20 (1)   |
| KSFV 10    | 28-1/2    | 32-1/2  | 33-7/8          | 35     | 18 | 29-3/4 | 74-1/4 | 34     | 34     | 34     | 34     | 16 X 25 (2)   |
| KSFV 12    | 28-1/2    | 32-1/2  | 33-7/8          | 35     | 18 | 29-3/4 | 74-1/4 | 34     | 34     | 34     | 34     | 16 X 25 (2)   |
| KSFV 15    | 28-1/2    | 32-1/2  | 33-7/8          | 35     | 18 | 29-3/4 | 74-1/4 | 34     | 34     | 34     | 34     | 16 X 25 (2)   |
| KSFV 18    | 36-1/2    | 40-1/2  | 41-7/8          | 49     | 18 | 30-1/8 | 78-1/4 | 42     | 42     | 42     | 42     | 20 X 25 (2)   |
| KSFV 20    | 44-1/2    | 49      | 51-7/8          | 49-1/8 | 23 | 36     | 78-1/4 | 51-3/8 | 51-3/8 | 51-3/8 | 51-3/8 | 24 X 30 (2)   |

# LOW INTAKE DIMENSIONS



| Model Size | A      | B SQ.  | C      | D      | Curb O.D. | F SQ.  | Damper O.D. | I      | J      | FILTERS (QTY) |
|------------|--------|--------|--------|--------|-----------|--------|-------------|--------|--------|---------------|
| KSFV 9     | 30     | 23-7/8 | 28     | 24     | 22-1/2    | 24     | 18-1/2      | 10-3/8 | 12     | 20 X 20 (1)   |
| KSFV 10    | 35     | 33-7/8 | 32     | 34     | 32-1/2    | 34     | 28-1/2      | 11-5/8 | 13-1/4 | 16 X 25 (2)   |
| KSFV 12    | 35     | 33-7/8 | 32     | 34     | 32-1/2    | 34     | 28-1/2      | 13-5/8 | 15-3/4 | 16 X 25 (2)   |
| KSFV 15    | 35     | 33-7/8 | 32     | 34     | 32-1/2    | 34     | 28-1/2      | 16-1/8 | 18-7/8 | 16 X 25 (2)   |
| KSFV 18    | 49     | 41-7/8 | 34     | 42     | 40-1/2    | 42     | 36-1/2      | 19-1/8 | 22-1/8 | 20 X 25 (2)   |
| KSFV 20    | 49-1/8 | 51-1/8 | 40-1/8 | 51-3/8 | 49        | 51-3/8 | 44-1/2      | 25     | 25-1/8 | 24 X 30 (2)   |