



*PROPELLER FANS*  
**APN Series**

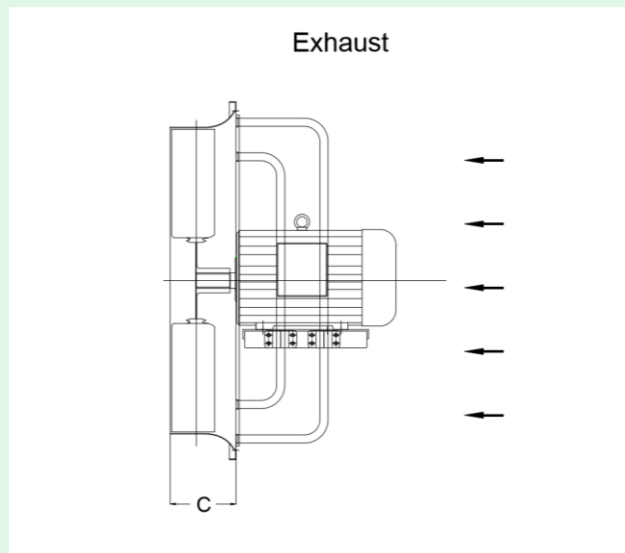


# Propeller Fans – APN Series

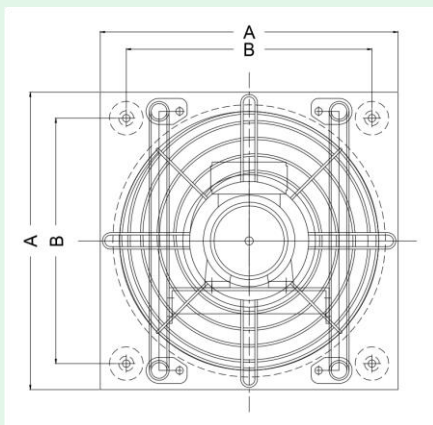
KRUGER

- Propeller fan for wall or panel mounting with wall plate made of mild steel, with painted finish. Impeller having blades made of Glass Reinforced Polypropylene (PPG), Glass Reinforced Polyamide (PAG) or Aluminium.
- Totally enclosed Class "F" motor, to a min. IP54 protection are fitted as standard. Standard motor up to 2.2 kW are usually supplied on DOL starting, motor 3.0 kW and above are star/delta starting. Motors of other specification are available upon request.
- Statically and dynamically balanced to ISO 1940 standard.

## Dimensions – 50 Hz



Kruger Ventilation Industries Thailand Co., Ltd certifies that the APN series - model APN 710 shown herein is licensed to bear the AMCA Seal. The ratings shown are based on tests and procedures performed in accordance with AMCA Publication 211 and AMCA Publication 311 and comply with the requirements of the AMCA Certified Ratings Program.

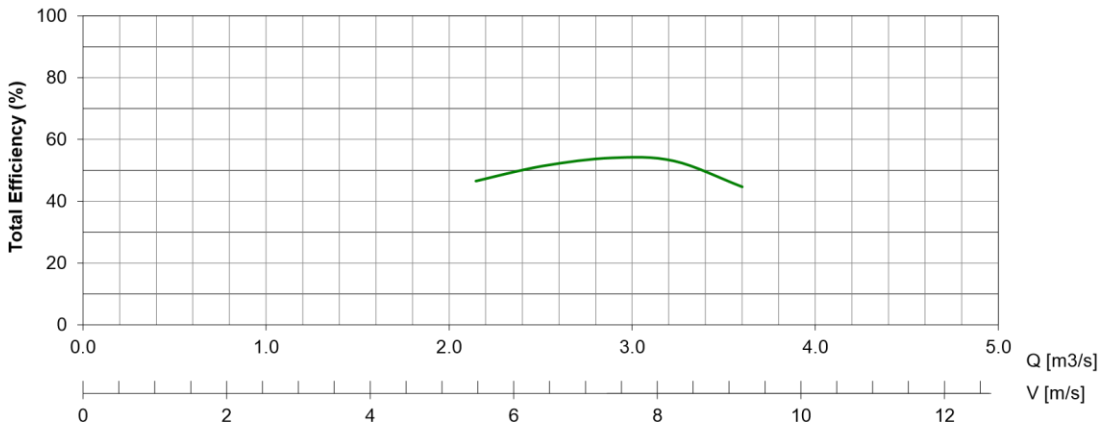
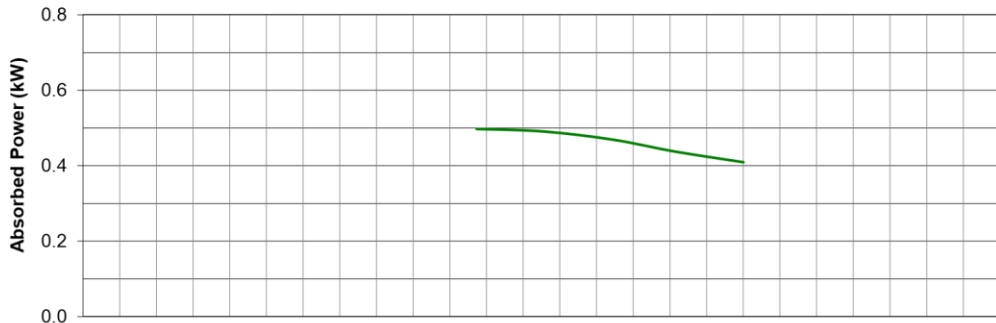
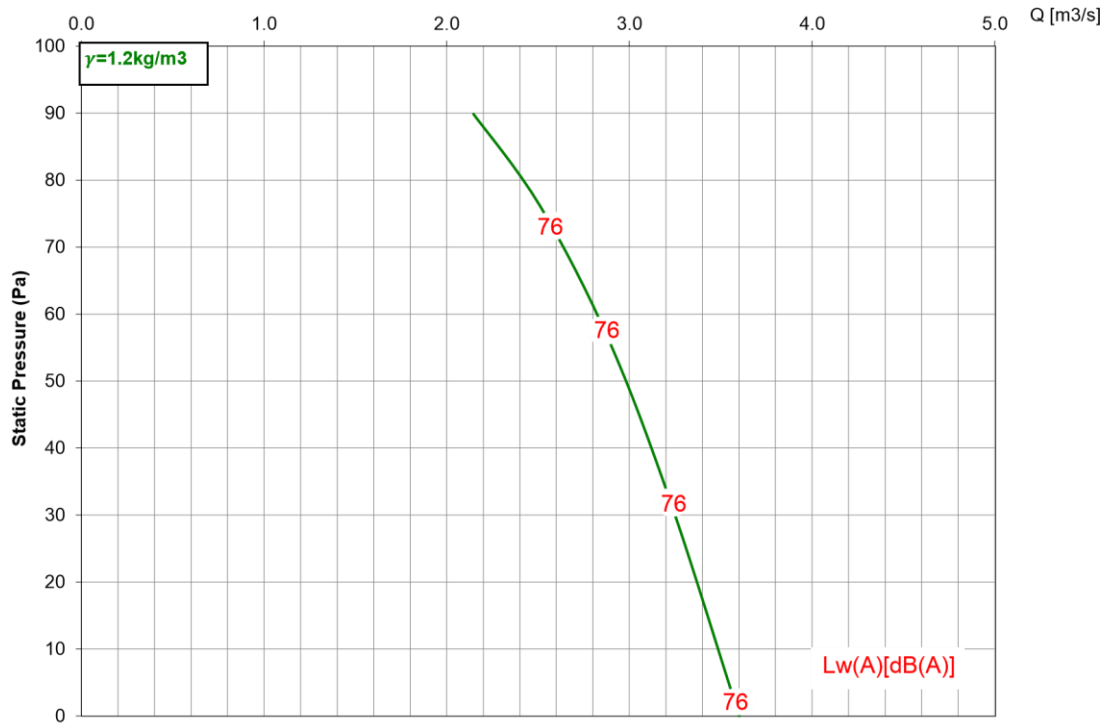


Model	□A	□B	C
APN 710	900	800	108

All the dimension in mm.

The company is always improving and developing its products, therefore the company reserves the right of making changes to the illustrated products. Certified dimension can be provided upon request.

# APN 710/12AA/7-7/34 deg 740rpm



- Performance certified is for installation type A - free inlet, free outlet. Performance ratings do not include the effects of appurtenances (accessories).
- Values shown are for inlet Lw(A) sound power levels for Installation Type A: free inlet, free outlet.
- The A-weighted sound ratings shown have been calculated per AMCA International Standard 301.