

# 风机大全

The latest version of fan products

STV0800-300/06A

May 2017



**STV**

**浙江三团电器有限公司**  
ZHEJIANG SANTUAN ELECTRIC CO.,LTD.



Zhejiang Santuan Electric Co.,Ltd. certifies that the HTF-8 Series Axial Flow Fan and SWF-8 Series Mixed Flow Fan shown herein are licensed to bear the AMCA Seal. The ratings shown are based on tests and procedures performed in accordance with AMCA Publication 211 and AMCA Publication 311 and comply with the requirements of the AMCA Certified Ratings Program.

# Contents

---

HTF Series  
High Temperature  
Fire Smoke Exhaust Fan



**PAGE** 01-02

SWF Series  
Low Noise Mixed Flow Fan



**PAGE** 03-04

### I. Application

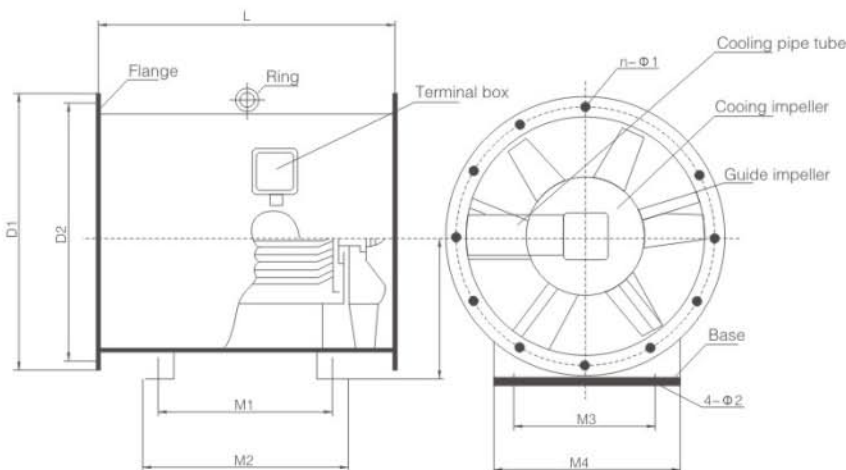
1. HTF series high temperature fire smoke exhaust fan is featured with high property, good high-temperature resistance, high efficiency, smaller covering area than centrifugal fans, easy installation and so on.
2. This fan has been proved qualified by the "National Fixed Fire Extinguishing Systems and Fire-resistant Component Quality Inspection Center", and its performance has reached domestic leading level.
3. Excellent high temperature resistant performance: after test, the fan conforms to the requirements of the GBJ45-82 Fire Normative Standard. And it sets up enterprise control system stricter than the standard, which can continuously operate more than 30 minutes under 300°C. Under the condition of temperature 100 °C for 20 hours/time, it is not damaged. The product has been widely used in the high-grade civil building, oven, underground garage, tunnel, etc.
4. Wide range of application: it adopts variable speed or multi-speed driving form to realize dual purpose (ventilating for common use and high-temperature smoke exhaust for fire-fighting) according to requirement of high-grade civil building. There are axial-flow type (HTF-I, II) and oblique flow type(HTF-III, IV) impellers, which allows more performances for the fan. It can also be made to noise-reduction fan if the user has a high demand for noise.
5. High efficiency: this is a new product designed and developed by advanced CAD software according to multi-objective optimization. After actual test, it shows that the fan' s full pressure efficiency is higher than 80% or even 85%. Flat efficiency curve is good for energy saving.
6. Easy installation, smaller covering area than centrifugal fans: there are axial-flow type and oblique flow type fans, which can be directly connected with wide pipe or mounted on wall in vertical or horizontal form, which greatly save floor area.



### II. Property Selection and Model Number Explanation

1. The fan' s performance table shows the performance of maximum efficiency and classifies into 5 performances according to blast capacity, it' s up to performance table during selection. The qualified products has  $\pm 5\%$  allowance for full-pressure value under rated blast capacity. The performance in the selection table is the one under normal condition, it' s all subject to standard condition no matter for performance required by technical document or ordering.
2. The fan is classified into horizontal type and roof type according to installation mode, we can also design and produce for special requirement for blast capacity, full pressure and installation size.
3. HTF-I and HTF-II denote normal pressure type fire smoke exhaust fan, with axial-flow impeller HTF-1 (single speed) and HTF-II (dual speed), HTF-III and HTF-IV denotes medium-pressure type fire smoke exhaust fan, with oblique-flow type impeller HTF-III (single speed) and HTF-IV (dual speed).
4. HTF-X denotes noise reduction type fire smoke exhaust fan, the user can select different types of fan according to actual requirement.
5. HTF-W denotes series roof type fire smoke exhaust fan, the user can select flame-retardant GRP hood or steel hood according to actual requirement.

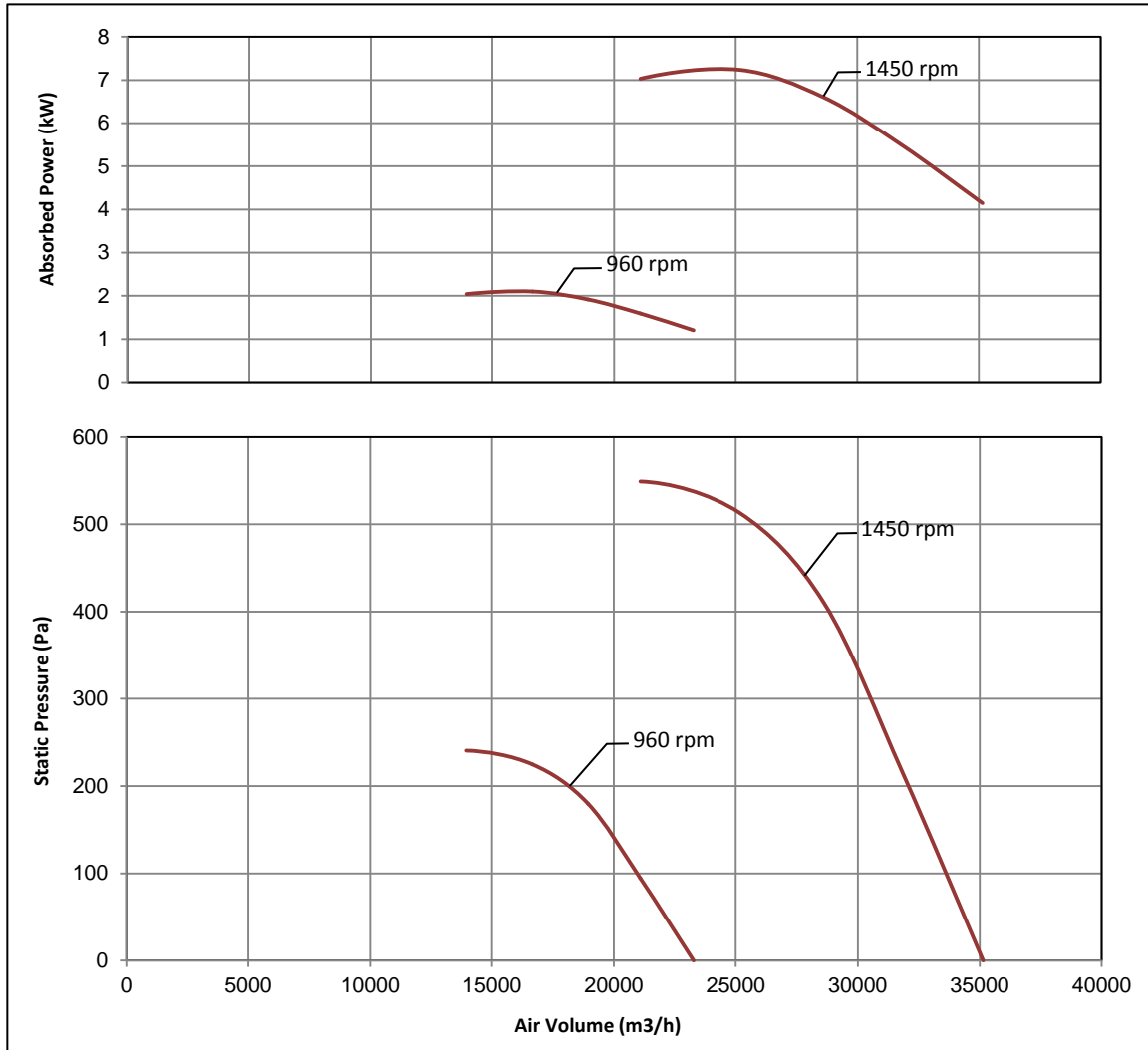
### III. Installation dimensions



Model	D1	D2	M1		M2		M3	M4	L		n-Φ1	4-Φ1	H
			I	II	I	II			I	II			
HTF-8	905	865	570	610	610	650	500	600	800	870	14-Φ12	Φ16	490

**HTF-8# /380/8/60°**

**FEG 71**



**Performance Data**

Model	Fan Outlet Area (m <sup>2</sup> )	Speed (rpm)	Air Volume (m <sup>3</sup> /h)	Static Pressure (Pa)	Absorbed Power (kW)	Motor Power (kW)	Sound Power Level LwA (dB)
HTF-8#	0.503	1450	35143	0	4.15	Y132M-4 7.5	99
			31846	215	5.49		
			28613	410	6.60		
			25160	513	7.24		
			21085	549	7.03		
		960	23267	0	1.20	Y112-6 2.2	88
			21084	94	1.59		
			18944	180	1.92		
			16658	225	2.10		
			13960	241	2.04		

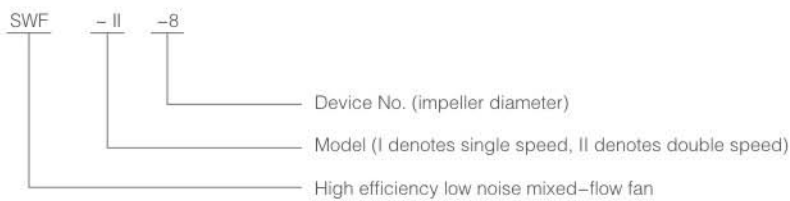
Performance certified is for installation type D - Ducted inlet, Ducted outlet. Performance ratings do not include the effects of appurtenances (accessories). Values shown are for inlet LwA sound power level for Installation type D: ducted inlet, ducted outlet. Ratings include the effects of duct end correction. The A-weighted sound ratings shown have been calculated per AMCA International Standard 301.

## I. Application

SWF series fan, based on meridian acceleration method and "pre-ternary" flow theory, uses rectilinear outer barrel, conical hub and distorted alary blade structure. It has higher pressure than axial-flow fan of the same model, and higher blast capacity than centrifugal fan of the same model. With high efficiency, compact structure, low noise, small size and convenient installation, it is widely used for ventilation and pressurized air supply in hotels, restaurants, shopping malls, office buildings, stadiums and other high-grade civil construction, as well as exhausting of industrial and mining enterprises. The double speed fan can regulate the blast capacity and pressure by speed change according to actual situation.



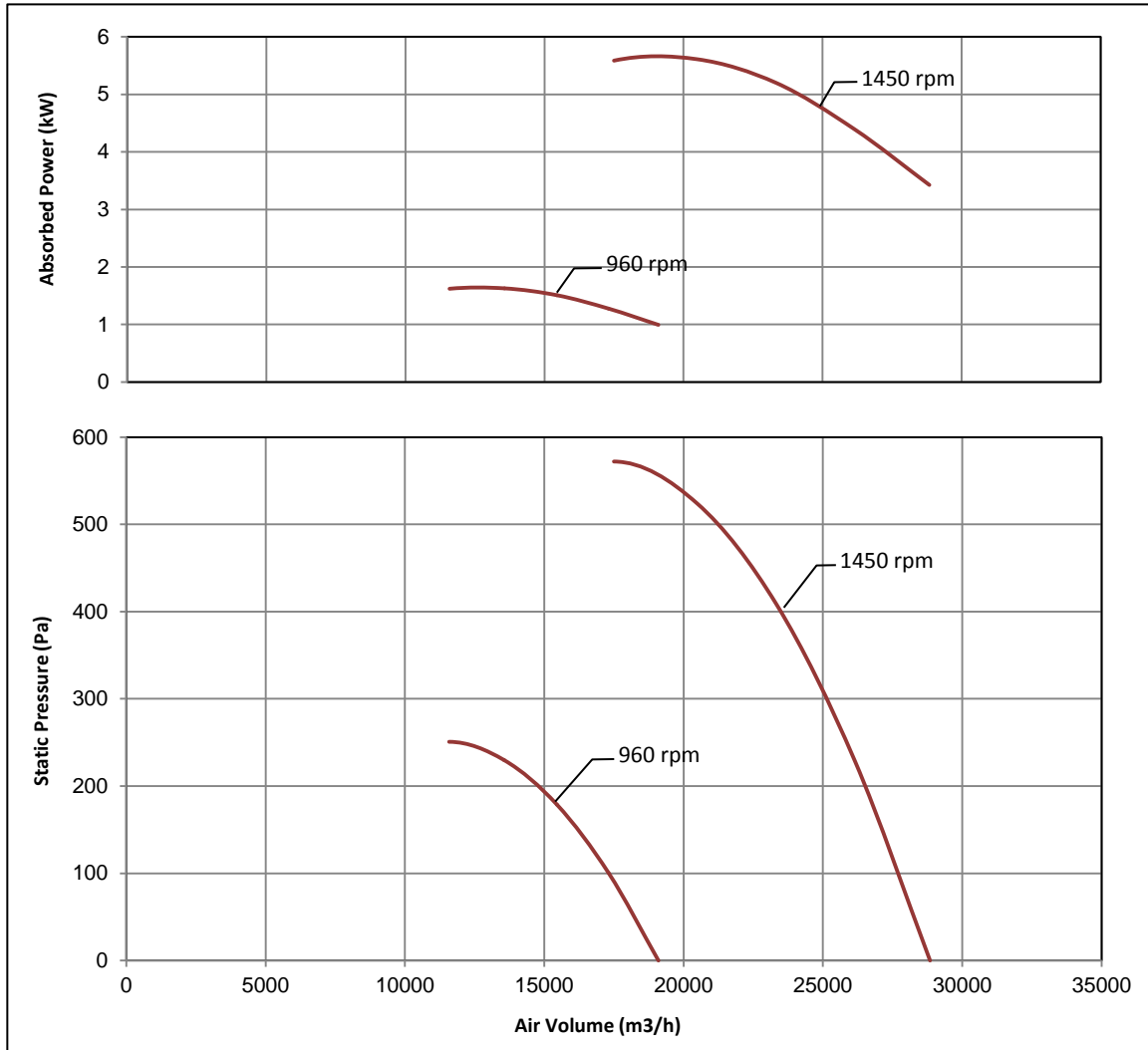
## II. Model and explanation



Note: SWF(A) type can made to noise reduction type according to requirement (equipped with special silencer at the air inlet and outlet);  
expression way: add letter "x" behind of device number.  
SWF(A) type and SWF(B) type can be made to roof type structure; expression way: add letter "W" behind the device number.

**SWF-8# /380/6/60°**

FEG 67



**Performance Data**

Model	Fan Outlet Area (m <sup>2</sup> )	Speed (rpm)	Air Volume (m <sup>3</sup> /h)	Static Pressure (Pa)	Absorbed Power (kW)	Motor Power (kW)	Sound Power Level LwA (dB)
SWF-8#	0.503	1450	28843	0	3.43	Y132M-4 7.5	100
			26143	229	4.40		
			23339	408	5.20		
			20484	524	5.61		
			17500	572	5.59		
		960	19096	0	0.99	Y112-6 2.2	88
			17309	100	1.28		
			15452	179	1.51		
			13562	230	1.63		
			11586	251	1.62		

Performance certified is for installation type D - Ducted inlet, Ducted outlet. Performance ratings do not include the effects of appurtenances (accessories). Values shown are for inlet LwA sound power level for Installation type D: ducted inlet, ducted outlet. Ratings include the effects of duct end correction. The A-weighted sound ratings shown have been calculated per AMCA International Standard 301.

# STV

## 浙江三团电器有限公司 ZHEJIANG SANTUAN ELECTRIC CO.,LTD.

浙江分公司

地址：浙江温州乐清市七里港马道头工业区

电话：0577-27816999

传真：0577-27816961

Madaotou Industrial Zone C Building, Liushi town

Wenzhou City, Zhejiang Province, 325604, China

TEL:+86-0577-27816999

Fax:+86-0577-27816961

E-mail: [shanghaisantuanv666@163.com](mailto:shanghaisantuanv666@163.com)

[www.santuan.com](http://www.santuan.com) [www.chsantuan.com](http://www.chsantuan.com) [www.santuanch.com](http://www.santuanch.com)