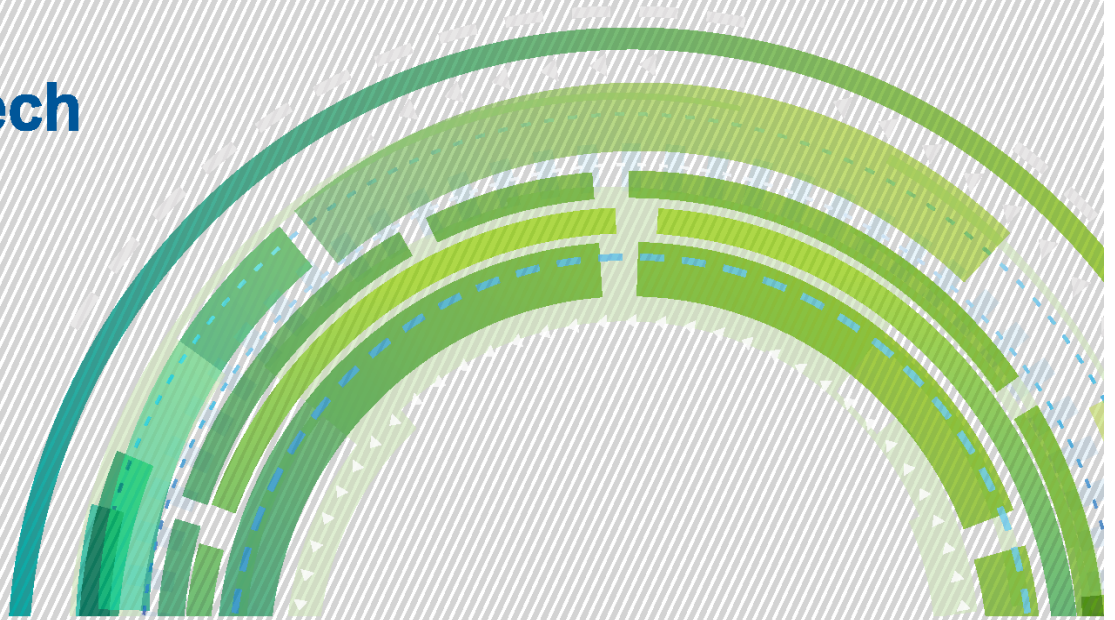


Reetech



AIR DAMPER

MLD SERIES

March 2017



■ DESCRIPTION:

Model: MLD-WxH

Application & Installation:

- Application: Provide accurate control of airflow within ventilating and air conditioning systems.
- MLD series manufactured by Reetech to meet varied requirements of international standards
- Installation: Reetech volume control dampers are designed to operate with the blades running horizontally or vertically, mounted on rectangular duct.

Material & Structure:

- Material: Extruded aluminium frames and blades, plastic gears, plastic bearings, rubber seals.
- Flange: L-shaped aluminium profile
- Structure: Optionally open or close by manual handle or actuator regulator. Aerodynamic profile blades minimize low pressure loss. Seals are mounted on the blade edge to avoid leakage
- Blade type: Opposed motion

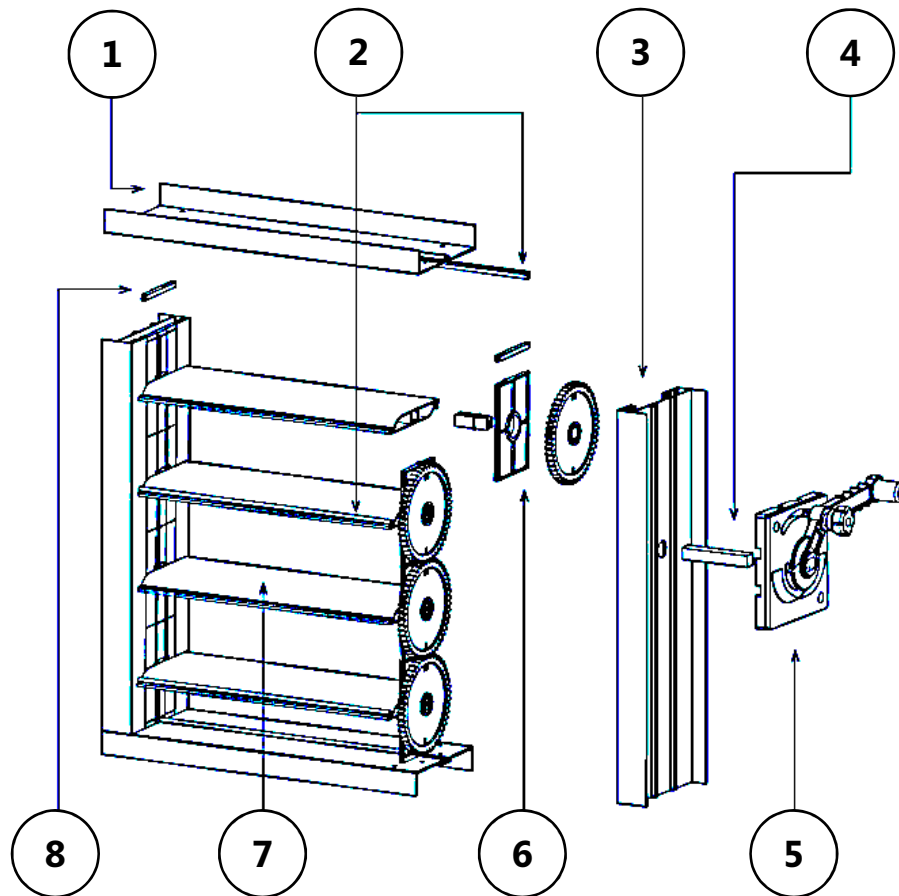
Features:

- Dampers with the height H up to 200mm have only one blade.
- Dampers with the height H of over 200mm will be designed with multi-blades.
- Wide dimension range.



Blade profile

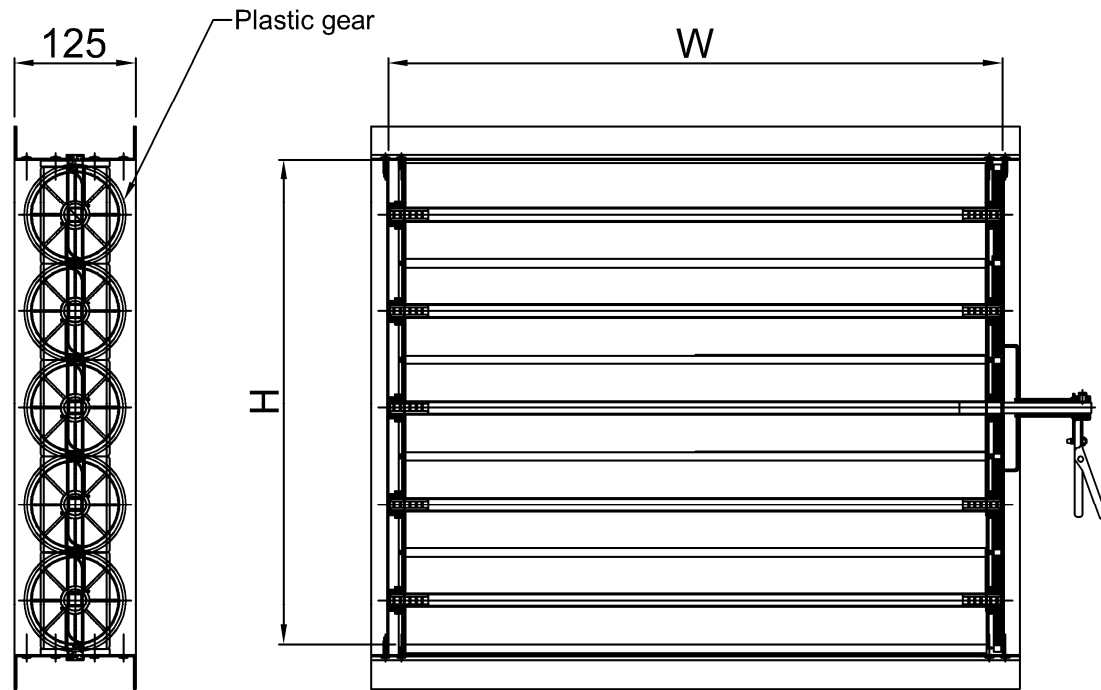
Construction



- ① Top – Bottom profile
- ② Thermoplastic rubber Gasket
- ③ Shoulder profile that holds the damper's gears
- ④ Square shaft
- ⑤ Aluminum cover & Handle
- ⑥ Kit with plastic components for blade working temperature max 80°C/90°C min -20°C
- ⑦ Blade profile
- ⑧ Spacer

AIRFOIL BLADE DAMPER

MLD



Model: MLD-WxH

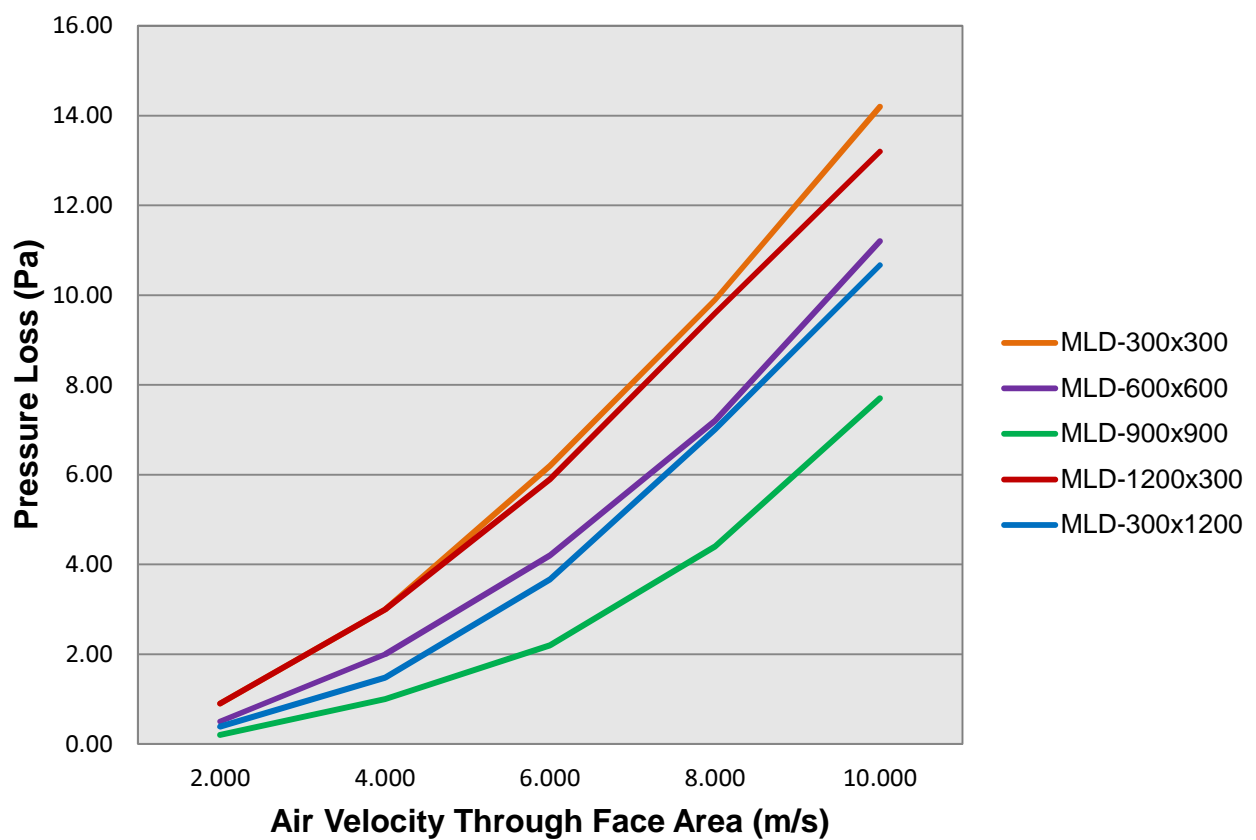
Dimension range

W [mm] \ H [mm]	110	125	210	225	310	320	410	420	510	520	610	620	710	720	810	910	1010	1100	1200	
110																				
125																				
210																				
225																				
310																				
320																				
410																				
420																				
510																				
520																				
610																				
620																				
710																				
720																				
810																				
910																				
1010																				
1100																				
1200																				

Performance data



AIR VELOCITY - PRESSURE LOSS CHART



Test Method per ANSI / AMCA Standard 500-D (Pressure Drop), Figure 5.3

AIRFOIL BLADE DAMPER

MLD

Air Leakage Classification



	Leakage Class Test Results			
Width x Height (mm)	0.25 kPa (1" w.g.)	1.0 kPa (4" w.g.)	1.5 kPa (6" w.g.)	2.0 kPa (8" w.g.)
305x1220 (12x48 in.)	3	3	3	3
1524x915 (60x36 in.)	2	2	2	2

(*) Air leakage Class based on pressure differential of 0.25kPa – 1.0kPa – 1.5kPa - 2.0kPa

Air leakage is based on operation between 0°C–49°C (32°F–120°F)

Applied Torque: 14.9 N.m for model MLD-300x1200; 40.0 N.m for model MLD-1500x900

Data are based on a torque of 40.1 N.m/m² for model MLD-300x1200 and 28.7 N.m/m² for model MLD-1500x900 applied to close and seat the damper during the test.

Test Method per ANSI / AMCA Standard 500-D (Leakage), Figure 5.4 Alternate

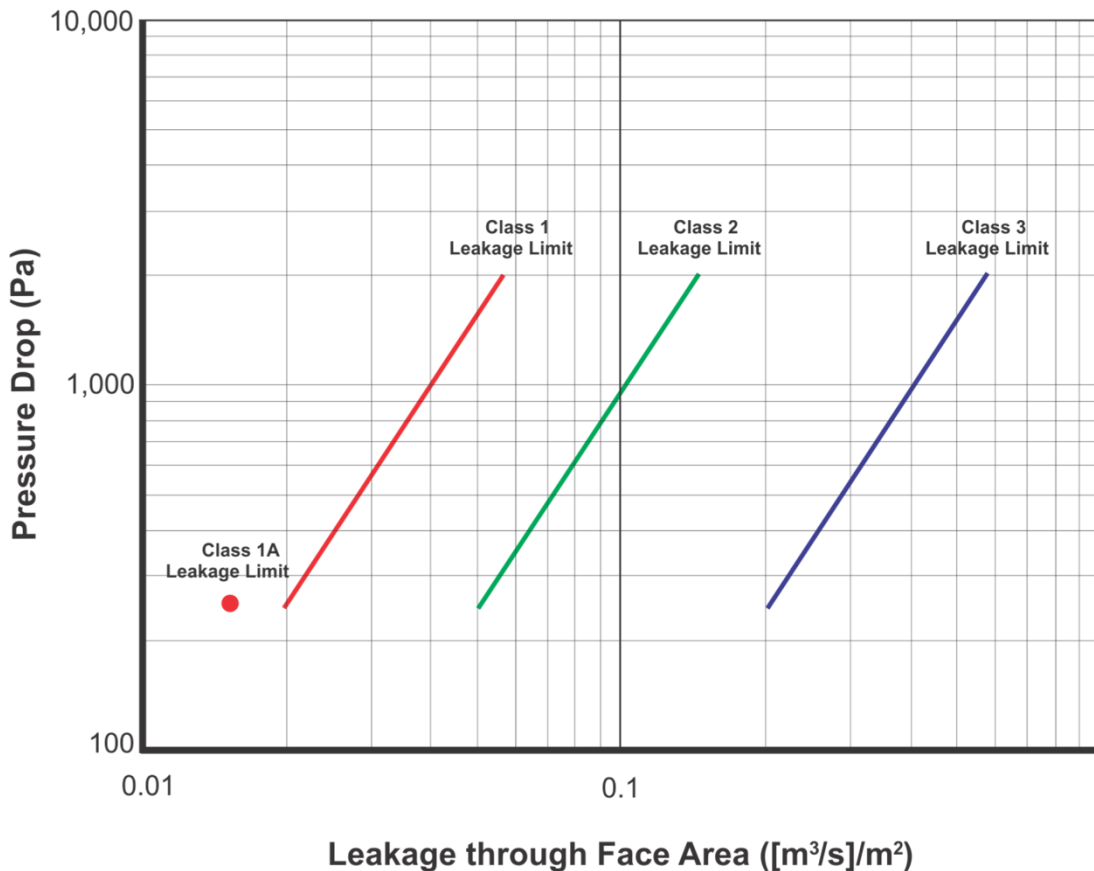
R.E.E. Electric Appliances Jsc certifies that the MLD shown herein is licensed to bear the AMCA Seal. The ratings shown are based on tests and procedures performed in accordance with AMCA Publication 511 and comply with the requirements of the AMCA Certified Ratings Program.

The AMCA Certified Ratings Seal applies to air performance and air leakage ratings only

Class	Leakage (L/s/m ²)			
	0.25 kPa (1" w.g.)	1.0 kPa (4" w.g.)	2.0 kPa (8" w.g.)	3.0 kPa (12" w.g.)
1A	15.2	N/A	N/A	N/A
1	20	41	56.5	69.2
2	51	102	144.2	176.7
3	203	406	574.2	703.2



Leakage Classifications per AMCA Standard 511



Flow Direction EXHAUST/INTAKE Performance Test



Flow Direction EXHAUST/INTAKE Air Leakage Test



R.E.E ELECTRIC APPLIANCES JOINT STOCK COMPANY

364 Cong Hoa Str., Tan Binh Dist., Ho Chi Minh City, Vietnam

Tel: (84.8) 3.8497.227 Fax: (84.8) 3.8104.468

Email: info@reotech.com.vn • Website: www.reotech.com.vn