



Recirculation fan P72"

Stay cool with topcool



Name: Recirculation fan P72
Size: 72"

Detail product:

Topcool composite fiber recirculation fan provides energy efficient and cost-effective way for recirculation air from divers application.

Optimum application:

72" composite fiber recirculation fan is the optimum solution for livestock and poultry application. This fan offers superior performance and good efficiency.

Other environment:

Ideal for tunnel or cross ventilation. This fan will increase the air velocity in dairy, poultry, swine, greenhouse and industry. Improve air circulation and distribution. Easy for installation.

Topcool features:

Housing:

1. Made with reinforced composite fiber, high density, durable, sturdy, and corrosion free.
2. Thicker layer of U.V. protection on composite surface.
3. Extra layer of resin inside gives smooth surface for easy maintenance and cleaning.
4. Air flow design maximizes the efficiency.
5. Deep aerodynamic venturi housing encourages free air flow.

Propeller:

1. Heavy duty high precision bearing assembled with double protection seal and special "TOPCOOL" grease.
2. Shaft is fixed on quick mount.
3. Blades are made with 4 mm

thicker aluminum alloy.

4. Belt: super high efficient moulded notch model XPZ.
5. Inner belt tensioned is standard with large diameter pulley.
6. Long belt, can be changed easily around the paddle "Quick change belt".

Motor:

1. Standard motors are totally enclosed, high efficiency.
2. All motors are designed and rated for years of trouble free operation.
3. Quiet operation on all range of speed.

Support and frame:

1. Built in central with I beam steel support, fixed inside housing and attached on top and bottom, this design provides a strong vertical

support that aligns the propeller centered in the orifice for maximal performance.

2. Motor is fixed on quick attachment slider motor base.
3. Different configuration of support is available to install the recirculation fan inside of building.
4. #304 stainless steel hardware.

Optional accessories:

1. Heavy gauge zinc plated wire with powder coating finishing to prevent corrosion.
2. OSHA safety guard.
3. Motor 1 phase or 3 phase.
4. Thermal protection.
5. Variable frequency drive (VFD).
6. High pressure misting fogging kit.
7. Other configuration available on request.



CopyRight ©2016. Topcool Ventilation Equipment Co. . Ltd.All Rights Reserved



TOPCOOL VENTILATION EQUIPMENT CO.,LTD.

Tel : 0086-757-88861830 website : www.topcool.co

Fax : 0086-757-88861828 E-mail : info@topcool.co



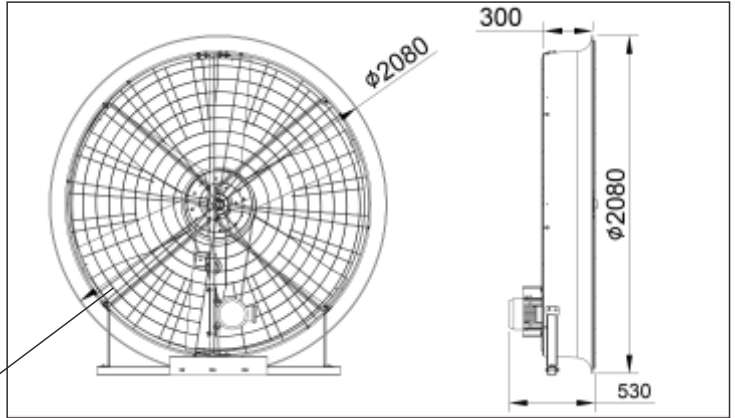
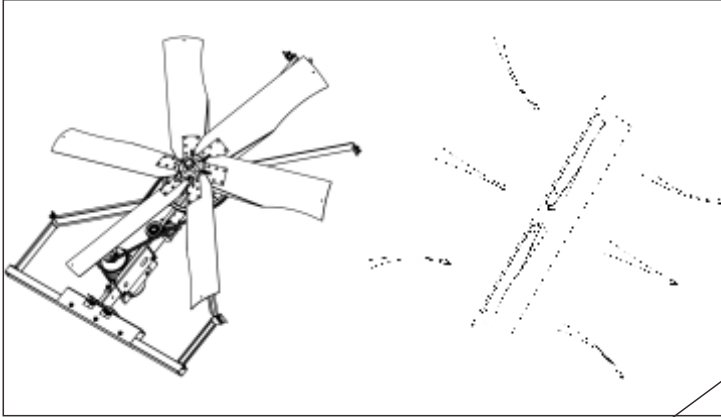


Recirculation fan P72"

Stay cool with topcool



FEATURE POINTS



*Performance rating does not include the effect of safety guard.

PICTURE APPLICATION



*Picture for reference only.

*The fan is without safety guard in the following tests.

CONFIGURATIONS & PERFORMANCE DATA:

topcool parts no:	Nominal size	Power (kw)	Volts	AMPS	Hz	motor Spd	Thrust (lbf)	Thrust Eff. Ratio	Kw input	RPM(Impeller speed)	Thrust CFM (airflow rate)	Efficacy (thrust cfm/W)	Drive	Blade	Test ref #
83-4013-0	72"	2.2	230/460	8.2/4.1	60	1725	43.2	23.67	1.83	334	43592	23.86	6/BD	Alu	33416-AC3
83-4014-0	72"	2.2	230/460	8.2/4.1	60	1725	51.95	26.05	1.99	335	48614	24.38	6/BD	Alu	33416-AC4
83-4015-0	72"	2.2	230/460	8.2/4.1	60	1725	50.01	25.38	1.97	335	47703	24.19	6/BD	Alu	33416-AC5
83-4016-0	72"	2.2	230/460	8.2/4.1	60	1725	53.35	25.41	2.10	395	49267	23.46	3/BD	Alu	33416-AC6
83-4017-0	72"	2.2	230/460	8.2/4.1	60	1725	60.92	23.89	2.55	393	52647	20.64	4/BD	Alu	33416-AC7
83-4018-0	72"	2.2	230/460	8.2/4.1	60	1725	60.58	23.77	2.58	371	52500	20.6	5/BD	Alu	33416-AC8

Topcool Ventilation Equipment Co., Ltd certifies that the Recirculation fan P72" shown herein is licensed to bear the AMCA Seal. The ratings shown are based on tests and procedures performed in accordance with AMCA Publication 211 and comply with the requirements of the AMCA Certified Ratings Program. The AMCA Certified Ratings Seal applies to airflow rate at free delivery only. Speed (rpm) shown is nominal. Performance is based on actual speed of test.



*Other configuration are available.

*For complete description and detail please call now.

The products show in this brochure are covered by a limited warranty.

Due to our continual effort to provide better products and service; literature, products, performance data, prices and availability are subject to change without notice.

Additional information is available at www.topcool.co

CopyRight © 2016 .Topcool Ventilation Equipment Co., Ltd . All Rights Reserved

Representative:

Code: 92-0342-0

Date: November 2016

