

MODEL HLADS 1.5"

EXHAUST AIR ARCHITECTURAL LOUVER

High performance and sustainable buildings are increasingly seeking out the best available technologies, as well as regional materials and manufacturers. Due to this fact, it is important and imperative that the products we offer to the construction industry are certified under the highest international standards, which also assist us with the required certification processes in Mexico.

There is growing need for ventilated facades and enclosures that allow the efficient passage of air to the air conditioning and ventilation systems and equipment, and this inspired us to develop the full line of **NAMM Louvers**; products that meet the very highest standards and provide the ideal solution for your building.

Designed specifically for condensing units (intake and exhaust) Provides a combination of maximum free area and low pressure drop. Its main use is in building exterior walls; allows a one-piece appearance due to back support and snap lock assembly.

Specific to LEED, we help you meet the mandatory requirements of ASHRAE 62.1, while providing passive method ventilation in accordance with CIVSE.

We are your ideal tool for achieving efficient enveloping and energy saving designs in accordance with ASHRAE 90.1. **NAMM Louvers** are the only high performance exhaust ventilation louvers that are certified by AMCA



- Exhaust Louver
- 72.5% free area
- Pressure drop 0.003" wg - 0.08" wg
- Blade spacing 1.5"
- Intermediate post each 35"

CONSTRUCTION:

100% Extruded aluminium, alloy 6063-T5

FINISH:

Anodized or electrostatic paint colors available

TEST:

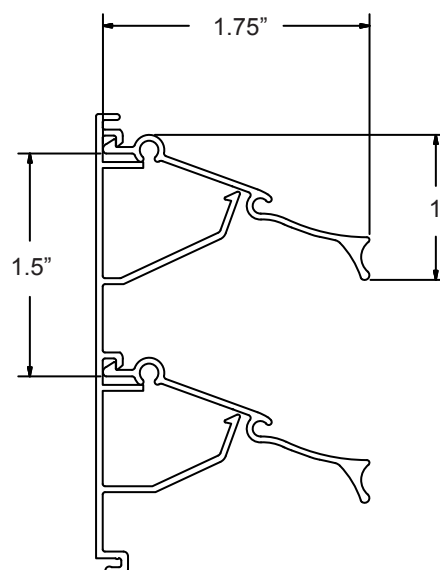
Square architectural louver 48 " x 48"



"Grupo NAMM S.A. de C.V. certifies that the louver Model HLADS1.5" are licensed to bear the AMCA Seal.

The ratings shown are based on tests and procedures performed in accordance with AMCA Publication 511 and comply with the requirements of the AMCA Certified Ratings Program.

The AMCA Certified Ratings Seal applies to air performance only"



Dimensional Details



grupo namm, s.a. de c.v.
 mty, n.l. (81) 1292 4000 mex, d.f. (55) 5264 2606 gdl, jal. (33) 3120 1473 www.namm.com.mx



Registered trademark & model protected by several patents and industrial designs. Prohibited the total or partial copy, marketing or any unauthorized activity of this model or submittal content.



FREE AREA OF THE ARCHITECTURAL LOUVER MODEL HLADS 1.5"

		LOUVER WIDTH INCHES															
		12	18	24	30	36	42	48	54	60	66	72	78	84	90	96	
LOUVER HEIGHT INCHES	12	8.5	14.5	20.5	26.5	32.5	38.5	44.5	50.5	56.5	62.5	68.5	74.5	80.5	86.5	92.5	
	24	0.35	0.60	0.84	1.09	1.34	1.58	1.83	2.08	2.32	2.57	2.82	3.06	3.31	3.56	3.81	
	36	0.87	1.48	2.09	2.71	3.32	3.93	4.55	5.16	5.77	6.38	7.00	7.61	8.22	8.84	9.45	
	48	1.39	2.37	3.34	4.32	5.30	6.28	7.26	8.24	9.22	10.20	11.18	12.16	13.13	14.11	15.09	
	60	1.91	3.25	4.60	5.94	7.29	8.63	9.98	11.32	12.67	14.01	15.36	16.70	18.05	19.39	20.74	
	72	2.42	4.14	5.85	7.56	9.27	10.98	12.69	14.40	16.11	17.82	19.54	21.25	22.96	24.67	26.38	
	84	2.94	5.02	7.10	9.17	11.25	13.33	15.41	17.48	19.56	21.64	23.71	25.79	27.87	29.95	32.02	
	96	3.46	5.90	8.35	10.79	13.23	15.68	18.12	20.56	23.01	25.45	27.89	30.34	32.78	35.22	37.67	
	108	3.98	6.79	9.60	12.41	15.22	18.04	20.84	23.65	26.45	29.26	32.07	34.88	37.69	40.50	43.31	
	120	4.50	7.67	10.85	14.02	17.20	20.38	23.55	26.73	29.90	33.08	36.25	39.43	42.60	45.78	48.95	
	132	5.02	8.56	12.10	15.64	19.18	22.72	26.27	29.81	33.35	36.89	40.43	43.97	47.51	51.06	54.60	
	144	5.54	9.44	13.35	17.26	21.17	25.07	28.98	32.89	36.80	40.70	44.61	48.52	52.43	56.33	60.24	
	156	6.05	10.33	14.60	18.88	23.15	27.42	31.70	35.97	40.24	44.52	48.79	53.06	57.34	61.61	65.88	
	168	6.57	11.21	15.85	20.49	25.13	29.77	34.41	39.05	43.69	48.33	52.97	57.61	62.25	66.89	71.53	
	180	7.09	12.10	17.10	22.11	27.11	32.12	37.13	42.13	47.14	52.14	57.15	62.15	67.16	72.17	77.17	
	180	7.61	12.98	18.35	23.73	29.10	34.47	39.84	45.21	50.58	55.96	61.33	66.70	72.07	77.44	82.82	

PRESSURE DROP

200fpm	300fpm	500fpm	900fpm	1000fpm
0.003" wg	0.007" wg	0.02" wg	0.07" wg	0.08" wg

PERFORMANCE DATA LOUVER HLADS 1.5"

Test Size 48x48 Based on Standard Air. Tested according to AMCA 500-L Figure No. 5.5.

