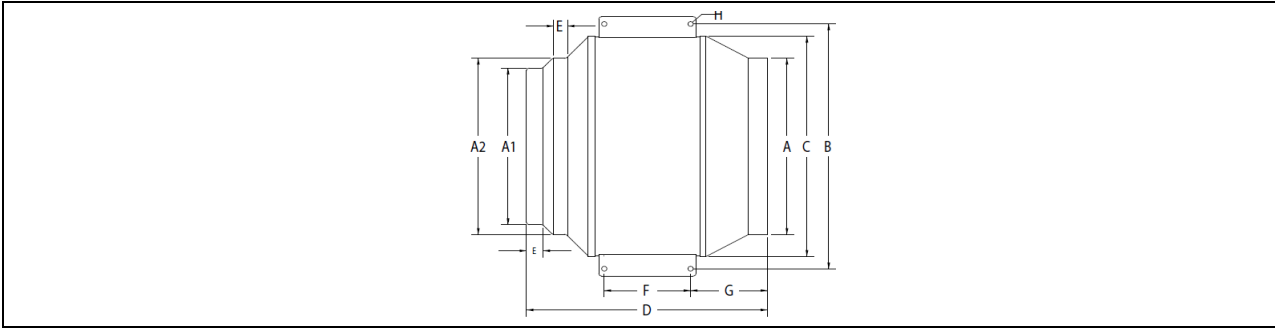


KD EC SERIES

INLINE DUCT FAN



Dimensional Diagram:



Dimensional Table:

Model	A	A1	A2	B	C	D	E	F	G	H
KD 300F EC	12.0 (305)	12.0 (305)	14.0 (356)	20.25 (514)	17.875 (454)	18.875 (479)	0.875 (22)	4.0 (102)	8.75 (222)	0.375 (10)
KD 355F EC	14.0 (356)	14.0 (356)	16.0 (406)	22.125 (562)	19.75 (502)	20.25 (514)	1.5 (38.1)	4.0 (102)	8.75 (222)	0.375 (10)
KD 400E EC	16.0 (406)	14.0 (356)	16.0 (406)	22.125 (562)	19.75 (502)	18.75 (476)	1.5 (38.1)	4.0 (102)	7.125 (181)	0.375 (10)
KD 400D EC	16.0 (406)	16.0 (406)	18.0 (457)	24.375 (619)	22.125 (562)	23.75 (603)	1.25 (32)	7.875 (200)	8.5 (216)	0.5 (13)
KD 450D EC	18.0 (457)	18.0 (457)	20.0 (508)	28.625 (727)	26.125 (664)	27.125 (689)	1.25 (32)	7.875 (200)	7.0 (178)	0.5 (13)
KD 500D EC	20.0 (508)	18.0 (457)	20.0 (508)	28.625 (727)	26.125 (664)	27.125 (689)	2.0 (51)	7.875 (200)	12.50 (318)	0.5 (12.7)

Dimensions are in inches (mm)

Performance Data:

Certified Data

Model Name	Energy Star	Rated Power W	Voltage/p hase V/~	Max Amp A	RPM min ⁻¹		Static Pressure (inch W.C.)							Max Ps (Inch W.C.)
							0	0.25	0.5	0.75	1	1.25	1.5	
							CFM	Sone	dB(A)	CFM	Sone	dB(A)	CFM	
KD 300F EC	NO	395	120 / 1	2.09	1698	CFM	1936	1777	1601	1380	971	532	210	1.68
KD 355F EC	NO	450	120 / 1	2.43	1424	CFM	2430	2223	1988	1681	1141	575	157	1.59
KD 400E EC	NO	1082	230 / 1	4.3	1535	CFM	4250	4000	3667	3271	2688	1875	1244	2.24
KD 400D EC	NO	1965	230 / 3	2.52	1909	CFM	5150	4955	4744	4500	4243	3897	3456	3.51
KD 450D EC	NO	1979	230 / 3	2.48	1612	CFM	5921	5729	5460	5185	4869	4564	4184	3.13
KD 500D EC	NO	2002	230 / 3	2.3	1597	CFM	5967	5700	5467	5267	4967	4633	4258	3.12

Performance certified is for installation type D: Ducted inlet, Ducted outlet.

Speed (RPM) shown is nominal. Performance is based on actual speed of test.

Performance ratings do not include the effects of appurtenances (accessories).

The sound ratings shown are loudness values in hemispherical sones at 1.5 m (5 ft) in a hemispherical free field calculated per AMCA Standard 301.

Values shown are for Installation Type D: ducted inlet hemispherical sone levels. Ratings do not include the effects of duct end correction.

All sone values shown are calculated at 0.5" (static pressure in inches W.G.).

Certifications:



Systemair, Inc. certifies that all models shown are licensed to bear the AMCA Seal. The ratings are based on the tests and procedures performed in accordance with AMCA Publication 211 and publication 311 and comply with the requirements of the AMCA Certified Ratings Program. Performance certified is for installation type D- Ducted inlet, Ducted outlet. Performance ratings do not include the effects of appurtenances (accessories).



Revision Date: May 2016
Article No.: KD-EC