



ROOF MOUNTED FILTERED FRESH AIR SUPPLY UNITS



Canarm Ltd. certifies that the 700 & SIS Series Fresh Air Units shown hereon is licensed to bear the AMCA seal. The ratings are based on tests and procedures performed in accordance with AMCA Publication 211 and Publication 311 and comply with the requirements of the AMCA Certified Ratings Program.

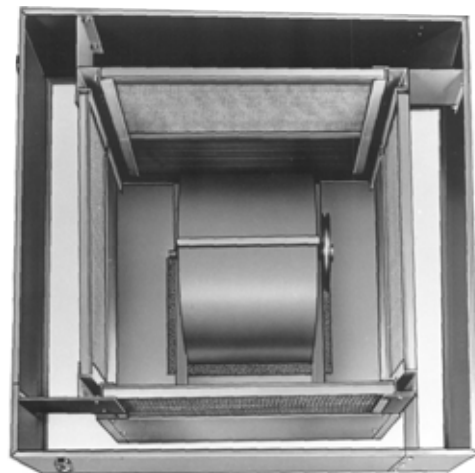
<u>SERIES</u>	<u>PAGE</u>
700 - 4 Side Intake Supply Fan	2
SIS - Side Intake Supply Fan	6

700 SERIES FILTERED FRESH AIR SUPPLY UNIT



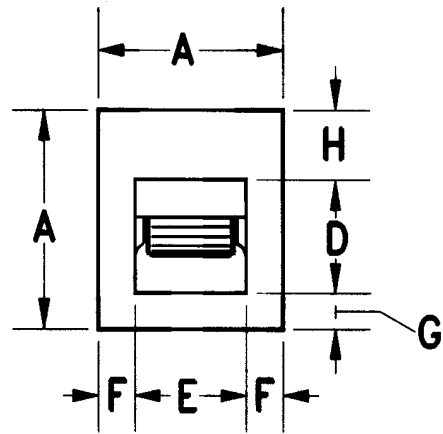
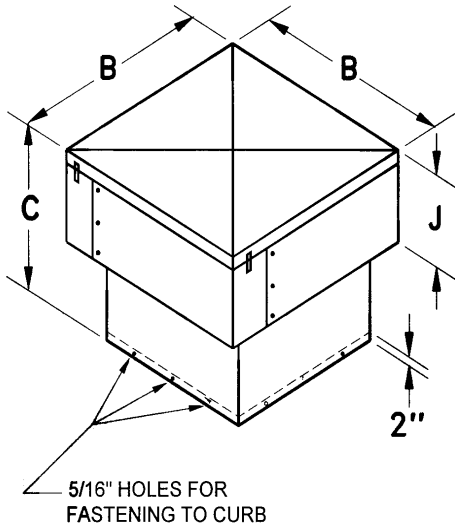
Canarm Ltd. certifies that the 700 Series Fresh Air Unit shown hereon is licensed to bear the AMCA seal. The ratings are based on tests and procedures performed in accordance with AMCA Publication 211 and Publication 311 and comply with the requirements of the AMCA Certified Ratings Program.

- A popular line of fresh air units for use in restaurants, schools, high rise apartments, and many other commercial, industrial applications
- Flexible forward curved belt drive blowers operate at low speed and low noise levels
- Blower is rubber mounted for quiet operation
- Four permanent, washable, aluminum filters have large surface area for efficient filtration.
- Outside air flows over the motor to increase motor life
- Heavy duty ball bearings suitable for -65 to +250 deg. F
- Latched top cover provides convenient removability for service access to filters, motor and drive
- Top insulated with 1/2" fiberglass flexible duct liner
- Green weather resistant, enamel paint finish on galvanized steel
- Adaptable to heating or cooling coils for applications requiring tempered air
- Motor mounting hardware supplied with all units



**TOP VIEW WITH COVER REMOVED
SHOWING FILTERS AND BLOWER**

700 SERIES DIMENSIONS



BOTTOM VIEW

DIMENSIONS (inches)

NOTE: WT. SHOWN IS LESS MOTOR AND DRIVE

MODEL	A	B	C	D	E	F	G	H	J	FILTERS	* INSIDE CABINET	UNIT WT. (LBS.)
709	24-3/8	32-3/8	24-3/8	10-1/4	11-13/16	6-9/32	7-1/16	7-1/16	10-1/4	4-10x20	24x24	84
710	28-3/8	38-1/2	28-1/4	11-3/8	13-1/8	7-5/8	8-1/2	8-1/2	12-1/4	4-12x24	28x28	108
712	32-3/8	42-5/8	31-3/8	13-7/16	15-5/8	8-3/8	9-15/32	9-15/32	16-1/2	4x16x25	32x32	150
715	32-3/8	42-5/8	31-3/8	15-7/8	18-5/8	6-7/8	6-1/4	10-1/4	16-1/2	4x16x25	32x32	155
718	36-3/8	48-5/16	37-1/4	18-7/8	21-7/8	7-1/4	6	11-1/2	20-3/4	4-20x28-1/2	36x36	245

* CURB SIZE TO BE SMALLER THAN INSIDE CABINET SIZE TO ALLOW FOR FLASHING AND ROOFING.

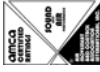
FOR HORIZONTAL APPLICATIONS

Use 9200 Series Duct Blower with matching "H" Series Intake Hood



See Cat. #SS-31
"Forward Curved Inline Duct Blowers"

9200 SERIES WITH INTAKE HOOD



Canam Ltd. certifies that the 700 Series Fresh Air Unit shown hereon is licensed to bear the AMCA seal. The ratings are based on tests and procedures performed in accordance with AMCA Publication 211 and Publication 311 and comply with the requirements of the AMCA Certified Ratings Program.

700 SERIES PERFORMANCE DATA

Model 709

TIP SPEED = 2.65 x RPM
WHEEL DIA. = 10.13"

1-1/2 HP MAXIMUM
3/4" SHAFT

CFM	OUTLET VELOCITY FPM	SOUND POWER re 10 ⁻¹² WATTS																								
		OCTAVE BANDS																								
		1/8" SP	1/4" SP	1/2" SP	3/4" SP	1" SP	1-1/2" SP	2" SP	2-1/2" SP	RPM	SP	1	2	3	4	5	6	7	8	LwOA						
400	715	397	0.03	562	0.07	781	0.10	944	0.15	1079	0.23	1494	0.32	1661	0.41	600	0.25	91	79	65	62	57	56	52	50	68
600	473	419	0.02	563	0.05	795	0.10	969	0.15	1109	0.20	1340	0.31	1532	0.43	700	0.25	96	87	72	67	64	62	61	58	75
800	951	462	0.05	585	0.07	793	0.13	972	0.19	1124	0.26	1366	0.40	1562	0.54	800	0.25	101	93	77	70	68	66	66	61	81
1000	1189	518	0.09	621	0.11	810	0.18	973	0.24	1118	0.31	1377	0.48	1584	0.65	1000	0.25	105	99	84	78	76	73	73	69	88
1200	1427	588	0.14	671	0.16	838	0.23	989	0.31	1126	0.39	1370	0.55	1590	0.76	1200	0.25	105	101	87	80	78	76	73	69	88
1400	1665	667	0.21	729	0.24	876	0.31	1015	0.40	1143	0.49	1375	0.68	1580	0.85	1400	0.25	104	100	86	77	73	70	70	66	87
1600	1902	748	0.30	796	0.33	923	0.41	1049	0.49	1170	0.60	1389	0.82	1587	1.03	1600	0.25	103	100	85	74	70	66	65	60	86
1800	2140	831	0.43	872	0.45	978	0.53	1092	0.62	1203	0.73	1411	0.97	1600	1.21	1800	0.25	108	107	95	82	78	75	74	71	93
2000	2378	914	0.57	951	0.61	1037	0.68	1141	0.78	1243	0.88	1439	1.14	1619	1.41	2000	1.00	107	106	94	80	76	72	71	68	92
2200	2616	998	0.76	1032	0.79	1102	0.87	1196	0.97	1290	1.08	1472	1.33	-	-	2200	1.00	109	109	98	84	80	76	75	73	96
2400	2854	1082	0.97	1115	1.02	1177	1.09	1255	1.20	1342	1.32	-	-	-	-	2400	1.50	108	110	102	84	79	74	72	70	97

Model 710

TIP SPEED = 2.99 x RPM
WHEEL DIA. = 11.44"

1-1/2 HP MAXIMUM
3/4" SHAFT

CFM	OUTLET VELOCITY FPM	SOUND POWER re 10 ⁻¹² WATTS																								
		OCTAVE BANDS																								
		1/8" SP	1/4" SP	1/2" SP	3/4" SP	1" SP	1-1/2" SP	2" SP	2-1/2" SP	RPM	SP	1	2	3	4	5	6	7	8	LwOA						
800	771	375	0.04	495	0.06	697	0.12	861	0.19	992	0.26	1201	0.40	1372	0.55	600	0.25	83	76	65	65	61	60	57	55	66
1000	964	408	0.06	514	0.09	692	0.15	853	0.22	991	0.30	1216	0.48	1394	0.66	700	0.25	89	83	70	70	68	66	66	63	75
1200	1157	445	0.09	541	0.12	706	0.19	847	0.26	984	0.26	1215	0.55	1405	0.76	800	0.25	86	83	65	62	59	56	53	48	70
1400	1350	489	0.13	574	0.17	725	0.24	858	0.32	979	0.41	1207	0.62	1402	0.85	900	0.25	93	88	75	73	72	70	70	66	78
1600	1543	536	0.18	611	0.22	750	0.31	877	0.40	989	0.49	1200	0.70	1394	0.94	1000	0.25	89	88	73	69	67	65	64	58	76
1800	1736	586	0.25	651	0.29	781	0.39	898	0.48	1008	0.58	1202	0.80	1388	1.05	1100	0.25	96	92	80	76	74	74	73	70	81
2000	1929	639	0.33	696	0.38	815	0.48	925	0.59	1028	0.70	1215	0.93	1385	1.17	1200	0.25	93	91	79	74	73	71	70	66	79
2200	2121	692	0.43	743	0.48	852	0.59	956	0.71	1053	0.83	1234	1.07	1395	1.33	1300	0.50	96	94	84	78	77	75	74	71	84
2400	2314	747	0.55	792	0.61	891	0.72	990	0.85	1081	0.98	1254	1.24	-	-	1400	0.75	94	94	83	75	74	71	70	65	82
2600	2507	802	0.70	843	0.75	933	0.87	1026	1.01	1113	1.15	1277	1.42	-	-	1600	1.00	93	94	81	71	69	66	63	58	81
2800	2700	858	0.86	895	0.92	978	1.05	1064	1.19	1148	1.34	-	-	-	-	1800	1.50	96	98	90	75	73	70	67	62	86
3000	2893	914	1.05	949	1.11	1024	1.25	1103	1.39	-	-	-	-	-	-	2000	1.50	96	98	90	75	73	70	67	62	86

Model 712

TIP SPEED = 3.27 x RPM
WHEEL DIA. = 12.50"

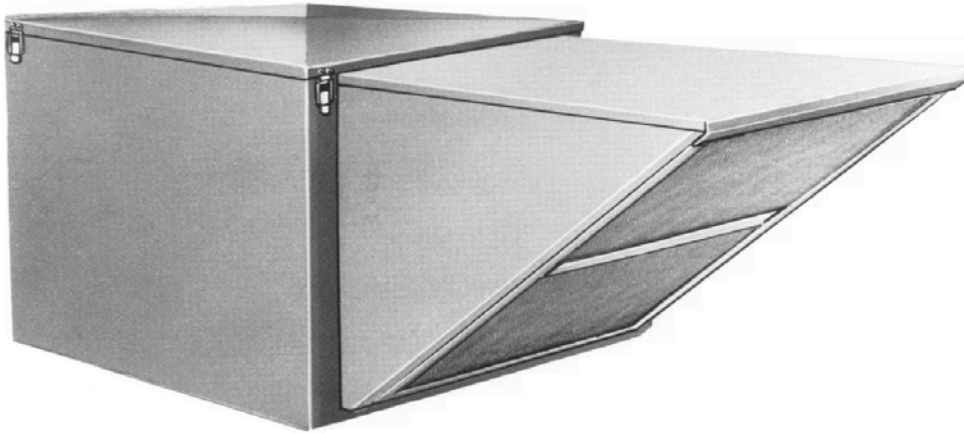
2 HP MAXIMUM
3/4" SHAFT

CFM	OUTLET VELOCITY FPM	SOUND POWER re 10 ⁻¹² WATTS																								
		OCTAVE BANDS																								
		1/8" SP	1/4" SP	1/2" SP	3/4" SP	1" SP	1-1/2" SP	2" SP	2-1/2" SP	RPM	SP	1	2	3	4	5	6	7	8	LwOA						
1200	823	352	0.06	457	0.10	635	0.18	785	0.29	906	0.40	1097	0.64	1252	0.88	500	0.25	83	72	64	61	61	60	55	53	67
1400	960	373	0.09	471	0.13	636	0.21	778	0.32	907	0.45	1107	0.72	1267	0.99	600	0.25	89	82	73	70	70	69	67	65	72
1600	1097	397	0.11	488	0.16	642	0.25	777	0.37	900	0.49	1111	0.79	1278	1.10	700	0.25	94	88	79	76	75	74	73	71	81
1800	1234	424	0.15	508	0.20	653	0.30	780	0.42	898	0.55	1109	0.86	1282	1.19	800	0.25	92	87	73	70	68	67	65	62	73
2000	1371	453	0.19	529	0.25	668	0.36	788	0.48	899	0.61	1100	0.92	1282	1.29	900	0.25	98	94	83	80	78	78	77	73	85
2200	1508	483	0.24	554	0.30	685	0.43	800	0.55	895	0.69	1099	1.01	1276	1.37	1000	0.25	96	93	80	77	74	74	73	68	81
2400	1646	515	0.31	580	0.37	703	0.50	814	0.64	915	0.78	1100	1.10	1270	1.47	1100	0.25	93	91	76	72	69	67	66	59	78
2600	1783	547	0.38	608	0.45	724	0.59	830	0.74	928	0.89	1105	1.21	1269	1.59	1200	0.50	98	94	83	80	77	77	76	72	82
2800	1920	580	0.46	637	0.53	745	0.68	848	0.84	942	1.00	1113	1.34	1271	1.71	1300	0.75	96	94	80	75	72	71	70	64	80
3000	2057	613	0.56	667	0.63	769	0.79	867	0.96	959	1.13	1124	1.48	1276	1.86	1400	0.50	99	96	86	82	79	79	78	75	87
3200	2194	647	0.67	697	0.74	794	0.91	888	1.09	977	1.27	1137	1.64	-	-	1600	0.75	98	96	83	78	75	74	74	68	84
3400	2331	681	0.79	729	0.87	821	1.05	909	1.23	995	1.43	1152	1.82	-	-	1800	0.75	99	97	86	80	77	77	76	72	85
3600	2469	715	0.92	761	1.01	848	1.20	933	1.39	1015	1.59	1168	2.00	-	-	2000	1.00	99	98	87	79	75	76	75	70	87
3800	2606	750	1.08	793	1.17	877	1.37	958	1.57	1036	1.77	-	-	-	-	2200	1.00	100	100	90	82	78	78	77	74	88
4000	2743	785	1.24	826	1.34	906	1.55	983	1.76	1058	1.97	-	-	-	-	2400	1.50	99	100	92	82	77	77	75	71	88

The sound power level ratings shown are in decibels, referred to 10⁻¹² watts calculated per AMCA Standard 301. The A-weighted sound ratings have been calculated per AMCA Standard 301. Values shown are for outlet LwOA sound power levels for installation Type B: free inlet, ducted outlet. Ratings include the effects of duct end correction. Power rating does not include transmission losses. Performance shown is for installation type B-Free Inlet, Ducted Outlet. Performance ratings include the effects of filters in the air stream.

SIC CONVERSION
SP x .249 = kPa
CFM x .472 = L/s

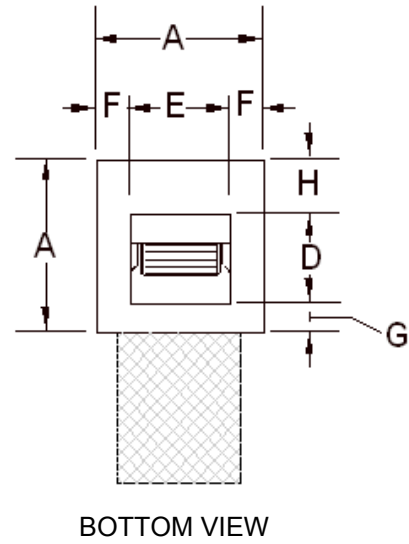
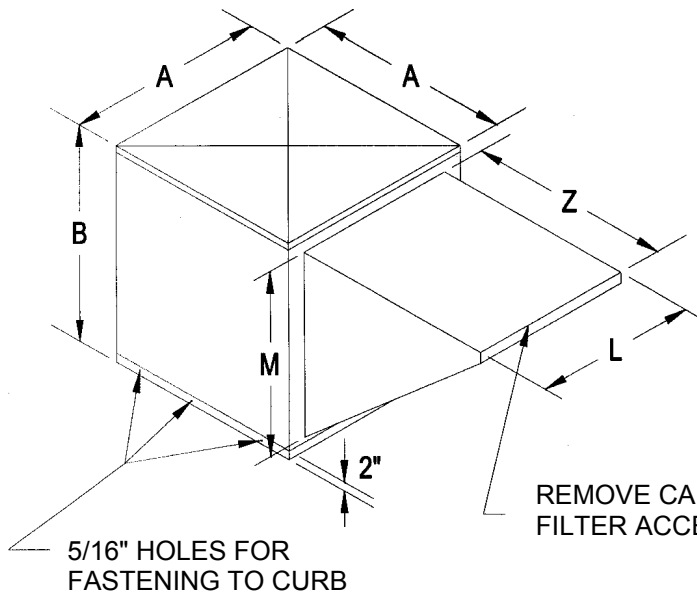
SIS SIDE INTAKE FILTERED AIR SUPPLY UNIT



Canarm Ltd. certifies that the SIS Series Fresh Air Unit shown hereon is licensed to bear the AMCA seal. The ratings are based on tests and procedures performed in accordance with AMCA Publication 211 and Publication 311 and comply with the requirements of the AMCA Certified Ratings Program.

- An economical fresh air supply unit designed as a practical method to meet NFPA 96 separation requirements between supply and exhaust air streams in restaurant applications. Also suitable for many other applications, such as schools and apartments
- Easy on-site addition of customer supplied air supply duct extension between the intake hood and unit provides additional separation where necessary
- Flexible forward curved belt drive blowers operate at low speed and low noise levels
- Heavy duty ball bearings suitable for -65 to +250 deg. F
- Washable aluminum mesh filter are located in the intake hood (except SIS-20) and are accessible through the hood end cap for ease of service
- SIS-20 has a drawer type filter section (not illustrated). The SIS-20 intake hood has a screened inlet
- All filters have been designed with large surface areas for efficient filtration
- Latched top cover provides convenient access to motor, pulleys and belt
- Green weather resistant enamel paint finish on galvanized steel

SIS SERIES DIMENSIONS



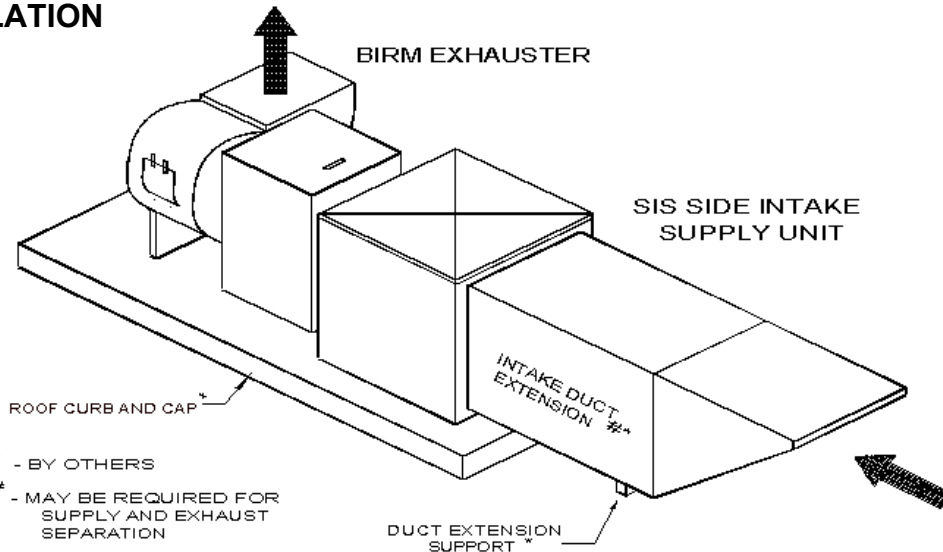
DIMENSIONS (inches)

NOTE: WT. SHOWN IS LESS MOTOR AND DRIVE

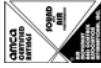
MODEL	A	B	D	E	F	G	H	L	M	Z	FILTER SIZE (QTY.)	* INSIDE CABINET	UNIT WT. (LBS.)
SIS-9	24-3/8	19-3/8	10-1/4	11-13/16	6-9/32	7-1/16	7-1/16	19-1/4	16-9/16	21-1/4	16 x 24 x 1 (1)	24x24	70
SIS-10	28-3/8	21-3/8	11-3/8	13-1/8	7-5/8	8-1/2	8-1/2	20-1/2	18-9/16	25-3/4	15 x 20 x 1 (2)	28x28	87
SIS-12	32-3/8	24-5/8	13-7/16	15-5/8	8-1/16	9-3/8	9-3/8	25-3/8	21-9/16	30-3/4	20 x 25 x 1 (1) & 16 x 25 x 1 (1)	32x32	117
SIS-15	36-3/8	28-3/8	15-7/8	18-5/8	8-1/2	7-3/4	12-5/16	31-3/16	25-13/16	33-1/2	20 x 28-1/2 x 1 (2)	36x36	175
SIS-18	36-3/8	42-1/2	18-7/8	21-7/8	7-1/4	6	11-1/2	35-5/8	32-11/16	40-1/4	20 x 25 x 1 (2) & 16 x 25 x 1 (2)	36x36	262
SIS-20	44-3/8	49	24-3/4	24-3/4	9-13/16	14-7/16	5-3/16	38-5/8	35-9/16	45-1/2 **	20 x 25 x 1 (6)	44x44	497

* CURB SIZE TO BE SMALLER THAN INSIDE CABINET SIZE TO ALLOW FOR FLASHING AND ROOFING
 ** INCLUDES FILTER SECTION

TYPICAL INSTALLATION



* - BY OTHERS
 # - MAY BE REQUIRED FOR SUPPLY AND EXHAUST SEPARATION



Canarm Ltd. certifies that the SIS Series Fresh Air Unit shown hereon is licensed to bear the AMCA seal. The ratings are based on tests and procedures performed in accordance with AMCA Publication 211 and Publication 311 and comply with the requirements of the AMCA Certified Ratings Program.

SIS SERIES PERFORMANCE DATA

Model SIS-15		3 HP MAXIMUM				1" SHAFT				TIP SPEED = 3.99 x RPM				WHEEL DIA. = 15.25"			
CFM	OUTLET VELOCITY FPM	1/8" SP		1/4" SP		1/2" SP		3/4" SP		1" SP		1-1/2" SP		2" SP		2-1/2" SP	
		RPM	BHP	RPM	BHP	RPM	BHP	RPM	BHP	RPM	BHP	RPM	BHP	RPM	BHP	RPM	BHP
1500	730	275	0.09	361	0.14	509	0.27	620	0.41	704	0.55	838	0.81	949	1.08	1044	1.37
1750	852	288	0.12	372	0.18	507	0.31	624	0.47	716	0.64	857	0.96	970	1.26	1067	1.58
2000	974	305	0.17	384	0.23	508	0.37	622	0.53	721	0.73	871	1.10	988	1.46	1088	1.81
2250	1095	324	0.22	396	0.29	516	0.44	621	0.60	719	0.80	880	1.24	1003	1.65	1106	2.05
2500	1217	346	0.28	409	0.36	527	0.53	623	0.70	717	0.88	883	1.35	1014	1.84	1121	2.30
2750	1339	369	0.36	426	0.44	540	0.63	631	0.81	718	1.00	881	1.46	1019	2.00	1132	2.53
3000	1461	394	0.45	444	0.54	551	0.73	643	0.94	723	1.14	878	1.58	1019	2.15	1138	2.74
3250	1582	420	0.56	464	0.65	563	0.85	655	1.08	732	1.30	878	1.75	1016	2.29	1140	2.93
3500	1704	446	0.69	486	0.78	574	0.99	667	1.24	744	1.48	881	1.94	1014	2.47	-	-
3750	1826	473	0.84	509	0.92	592	1.15	679	1.40	757	1.66	888	2.17	1014	2.69	-	-
4000	1948	501	1.00	533	1.09	610	1.32	691	1.58	769	1.87	898	2.41	1017	2.95	-	-
4250	2069	528	1.19	558	1.28	623	1.52	704	1.78	780	2.08	909	2.67	-	-	-	-
4500	2191	556	1.40	584	1.50	649	1.74	720	2.01	792	2.32	922	2.95	-	-	-	-
4750	2313	584	1.64	614	1.74	670	1.98	737	2.27	804	2.57	-	-	-	-	-	-
5000	2435	612	1.90	637	2.01	692	2.25	755	2.55	819	2.86	-	-	-	-	-	-
5250	2556	640	2.19	664	2.30	715	2.55	774	2.85	-	-	-	-	-	-	-	-
5500	2678	668	2.51	691	2.62	739	2.87	-	-	-	-	-	-	-	-	-	-
5750	2800	697	2.86	718	2.97	-	-	-	-	-	-	-	-	-	-	-	-

Model SIS-18		5 HP MAXIMUM				1" SHAFT				TIP SPEED = 4.76 x RPM				WHEEL DIA. = 18.19"			
CFM	OUTLET VELOCITY FPM	1/8" SP		1/4" SP		1/2" SP		3/4" SP		1" SP		1-1/2" SP		2" SP		2-1/2" SP	
		RPM	BHP	RPM	BHP	RPM	BHP	RPM	BHP	RPM	BHP	RPM	BHP	RPM	BHP	RPM	BHP
3000	1046	275	0.26	334	0.37	435	0.59	551	0.97	634	1.26	762	1.77	866	2.32	958	2.92
3250	1133	288	0.32	345	0.42	438	0.66	545	1.02	637	1.39	768	1.96	874	2.53	966	3.14
3500	1220	301	0.38	355	0.49	445	0.74	536	1.05	636	1.50	774	2.17	881	2.76	973	3.39
3750	1307	315	0.45	366	0.56	454	0.84	533	1.11	629	1.57	778	2.37	887	3.02	980	3.66
4000	1395	329	0.54	378	0.65	464	0.93	537	1.22	620	1.60	780	2.57	893	3.29	987	3.97
4250	1482	344	0.63	390	0.74	473	1.04	543	1.35	615	1.67	779	2.74	897	3.56	993	4.29
4500	1569	359	0.73	402	0.85	484	1.15	543	1.49	617	1.80	774	2.85	900	3.83	999	4.63
4750	1656	374	0.84	415	0.97	494	1.27	562	1.63	624	1.96	765	2.91	901	4.08	1003	4.98
5000	1743	389	0.97	428	1.11	505	1.40	572	1.78	632	2.14	757	2.97	899	4.28	-	-
5250	1830	405	1.11	442	1.25	516	1.55	582	1.93	641	2.33	754	3.10	892	4.41	-	-
5500	1916	421	1.26	456	1.41	527	1.72	592	2.10	650	2.52	756	3.29	893	4.48	-	-
5750	2003	437	1.42	471	1.58	539	1.90	602	2.28	660	2.72	762	3.53	874	4.57	-	-
6000	2092	453	1.60	485	1.77	551	2.10	613	2.47	669	2.92	770	3.79	870	4.72	-	-
6250	2179	469	1.79	500	1.97	563	2.31	624	2.69	679	3.14	778	4.07	872	4.96	-	-
6500	2266	485	2.00	515	2.18	576	2.54	635	2.92	690	3.37	787	4.36	-	-	-	-
6750	2354	502	2.23	531	2.42	589	2.79	646	3.17	700	3.62	797	4.65	-	-	-	-
7000	2441	518	2.47	546	2.67	602	3.05	658	3.44	711	3.89	806	4.94	-	-	-	-
7250	2528	535	2.73	562	2.93	616	3.33	670	3.74	722	4.18	-	-	-	-	-	-
7500	2615	551	3.00	578	3.22	630	3.62	682	4.05	733	4.49	-	-	-	-	-	-
7750	2702	568	3.30	593	3.52	644	3.95	694	4.38	744	4.82	-	-	-	-	-	-
8000	2790	585	3.61	609	3.84	658	4.28	707	4.72	-	-	-	-	-	-	-	-
8250	2877	601	3.95	625	4.18	673	4.64	-	-	-	-	-	-	-	-	-	-
8500	2964	618	4.30	642	4.55	-	-	-	-	-	-	-	-	-	-	-	-

Model SIS-20		10 HP MAXIMUM				1-3/16" SHAFT				TIP SPEED = 5.35 x RPM				WHEEL DIA. = 20.44"			
CFM	OUTLET VELOCITY FPM	1/8" SP		1/4" SP		1/2" SP		3/4" SP		1" SP		1-1/2" SP		2" SP		2-1/2" SP	
		RPM	BHP	RPM	BHP	RPM	BHP	RPM	BHP	RPM	BHP	RPM	BHP	RPM	BHP	RPM	BHP
5000	1175	331	0.69	374	0.85	443	1.17	513	1.53	581	1.92	701	2.80	797	3.66	879	4.50
5500	1292	354	0.88	396	1.06	461	1.41	524	1.78	587	2.19	706	3.12	806	4.08	890	5.02
6000	1410	379	1.11	419	1.31	482	1.69	539	2.08	597	2.50	710	3.45	812	4.50	899	5.55
6500	1528	404	1.38	441	1.58	503	2.00	556	2.42	610	2.85	716	3.82	816	4.92	905	6.07
7000	1645	430	1.69	464	1.90	526	2.36	576	2.80	625	3.26	724	4.25	821	5.38	910	6.60
7500	1763	456	2.05	488	2.27	548	2.76	597	3.24	642	3.72	735	4.74	827	5.88	915	7.14
8000	1880	483	2.45	512	2.69	571	3.21	618	3.72	662	4.23	748	5.29	835	6.45	920	7.72
8500	1998	510	2.91	537	3.15	593	3.71	641	4.26	682	4.79	763	5.90	845	7.08	926	8.37
9000	2115	537	3.43	562	3.68	616	4.26	663	4.85	704	5.41	780	6.57	857	7.79	934	9.10
9500	2233	564	4.00	588	4.27	638	4.86	686	5.49	726	6.09	799	7.30	871	8.56	944	9.89
10000	2350	591	4.64	614	4.91	662	5.53	708	6.19	748	6.84	818	8.10	887	9.40	-	-
10500	2468	619	5.34	640	5.63	685	6.28	731	6.95	771	7.64	839	8.96	-	-	-	-
11000	2585	646	6.11	667	6.41	709	7.06	753	7.78	793	8.51	861	9.90	-	-	-	-
11500	2703	674	6.95	693	7.27	733	7.93	776	8.67	816	9.44	-	-	-	-	-	-
12000	2820	701	7.87	720	8.20	758	8.88	799	9.64	-	-	-	-	-	-	-	-
12500	2938	729	8.86	747	9.21	784	9.91	-	-	-	-	-	-	-	-	-	-

The sound power level ratings shown are in decibels, referred to 10⁻¹² watts calculated per AMCA Standard 301. The A-weighted sound ratings have been calculated per AMCA Standard 301. Values shown are for outlet LwA sound power levels for installation Type B: free inlet, ducted outlet. Performance shown is for installation Type B-Free Inlet, Ducted Outlet. Performance ratings include the effects of filters in the air stream.

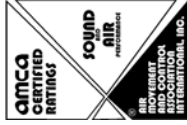
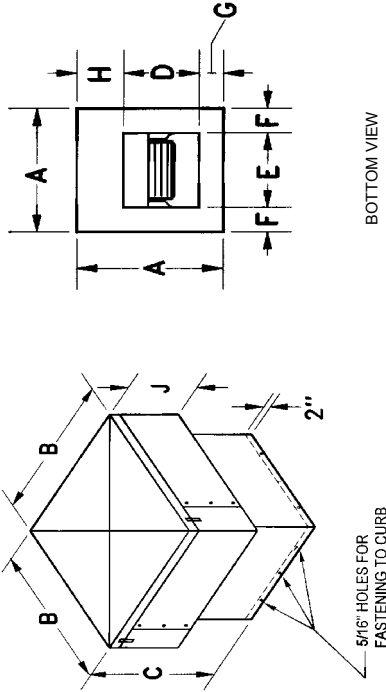
SI CONVERSION
 SP x .249 = kPa
 CFM x .472 = L/s

700 SERIES BLOWERS

SUBMITTAL DRAWING

SD-7-2

- BALL BEARINGS
- PERMANENT WASHABLE FILTERS
- INSULATED TOP
- WEATHER RESISTANT ENAMEL PAINT FINISH ON GALVANIZED STEEL
- QUIET FORWARD CURVED BLOWER
- LATCHED TOP COVER



Canarm Ltd. certifies that the 700 Series Fresh Air Unit shown hereon is licensed to bear the AMCA seal. The ratings are based on test and procedures performed in accordance with AMCA Publication 211 and Publication 311 and comply with the requirements of the AMCA Certified Ratings Program.

DIMENSIONS (inches)

MODEL	A	B	C	D	E	F	G	H	J	FILTERS	* INSIDE CABINET	UNIT WT. (LBS.)
709	24-3/8	32-3/8	24-3/8	10-1/4	11-13/16	6-9/32	7-1/16	7-1/16	10-1/4	4-10x20	24x24	84
710	28-3/8	38-1/2	28-1/4	11-3/8	13-1/8	7-5/8	8-1/2	8-1/2	12-1/4	4-12x24	28x28	108
712	32-3/8	42-5/8	31-3/8	13-7/16	15-5/8	8-3/8	9-15/32	9-15/32	16-1/2	4x16x25	32x32	150
715	32-3/8	42-5/8	31-3/8	15-7/8	18-5/8	6-7/8	6-1/4	10-1/4	16-1/2	4x16x25	32x32	155
718	36-3/8	48-5/16	37-1/4	18-7/8	21-7/8	7-1/4	6	11-1/2	20-3/4	4-20x28-1/2	36x36	245

* CURB SIZE TO BE SMALLER THAN INSIDE CABINET SIZE TO ALLOW FOR FLASHING AND ROOFING

NOTE: WT. SHOWN IS LESS MOTOR AND DRIVE

BLOWER DATA						MOTOR DATA				PULLEYS		BELT	
FAN #	QTY.	MODEL	CFM	SP	HP	RPM	HP	FRAME	VOLT	Ph	RPM	BLOWER	MOTOR

PROJECT NAME:	ENGINEER:	DATE SUBMITTED
CONTRACTOR:	SUPPLIER:	CANARM LTD.



CANARM LTD.

2157 Parkedale Avenue, PO Box 367

Brockville, Ontario

K6V 5V6

Ph: (613) 342-5424

Fax: (613) 342-8437

www.delhi-industries.com

www.canarm.com

REPRESENTED BY: