



浙江朗迪集团股份有限公司
ZHEJIANG LANGDI GROUP CO.,LTD.

LDD前向多翼离心通风机

DOUBLE INLET CENTRIFUGAL FAN WITH FORWARD CURVED BLADES

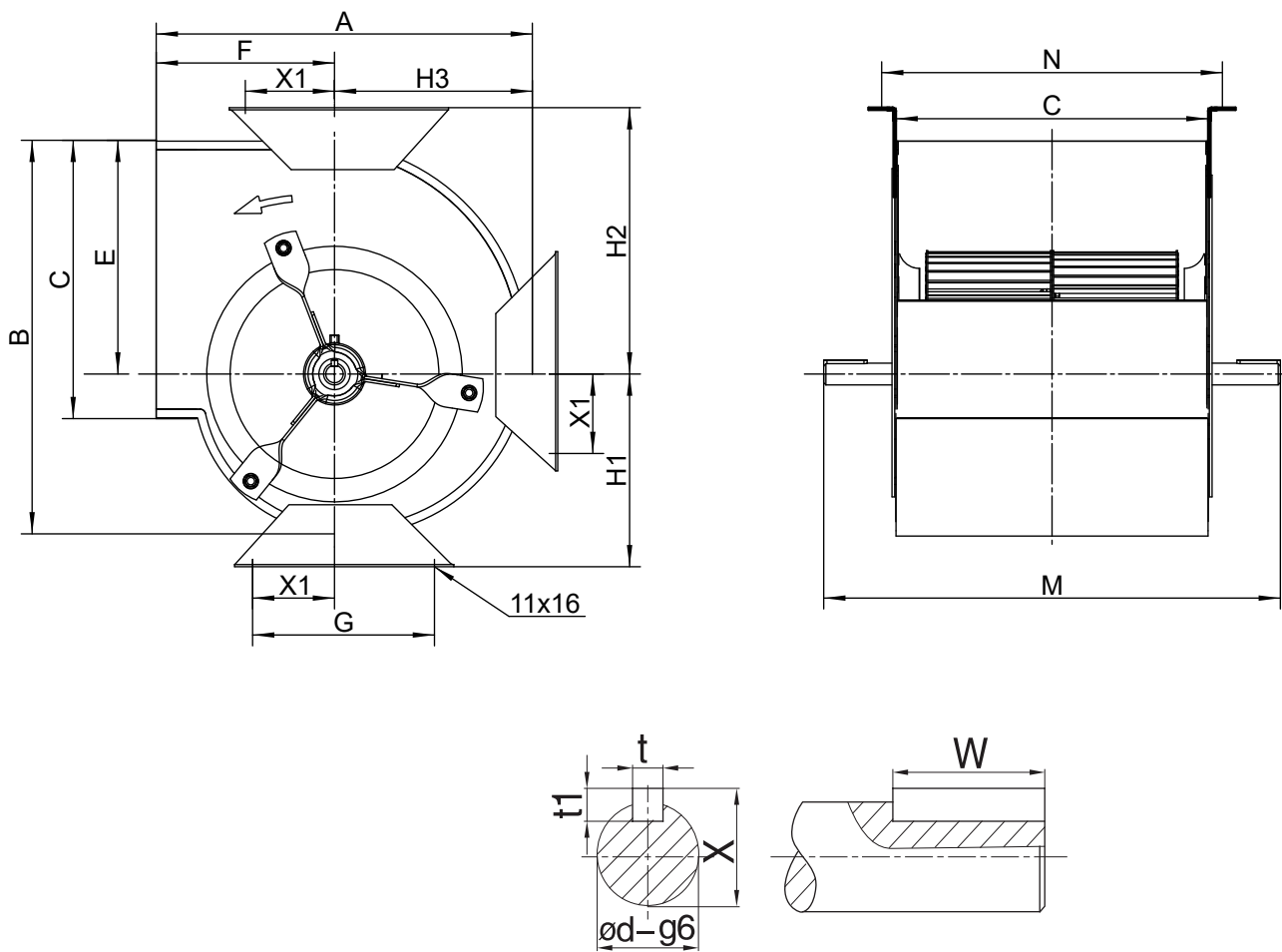
Zhejiang Langdi Group Co. Ltd certifies that the LDD centrifugal fans shown herein are licensed to bear the AMCA Seal. The ratings shown are based on tests and procedures performed in accordance with AMCA Publication 211 and AMCA Publication 311 and comply with the requirements of the AMCA Certified Ratings Program.

浙江朗迪集团股份有限公司特此证明，此处所示LDD离心风机获得了加盖AMCA印章的授权。所示额定值系根据AMCA出版物211和AMCA出版物311所进行测试和程序确定，并符合AMCA认证额定值计划的要求。



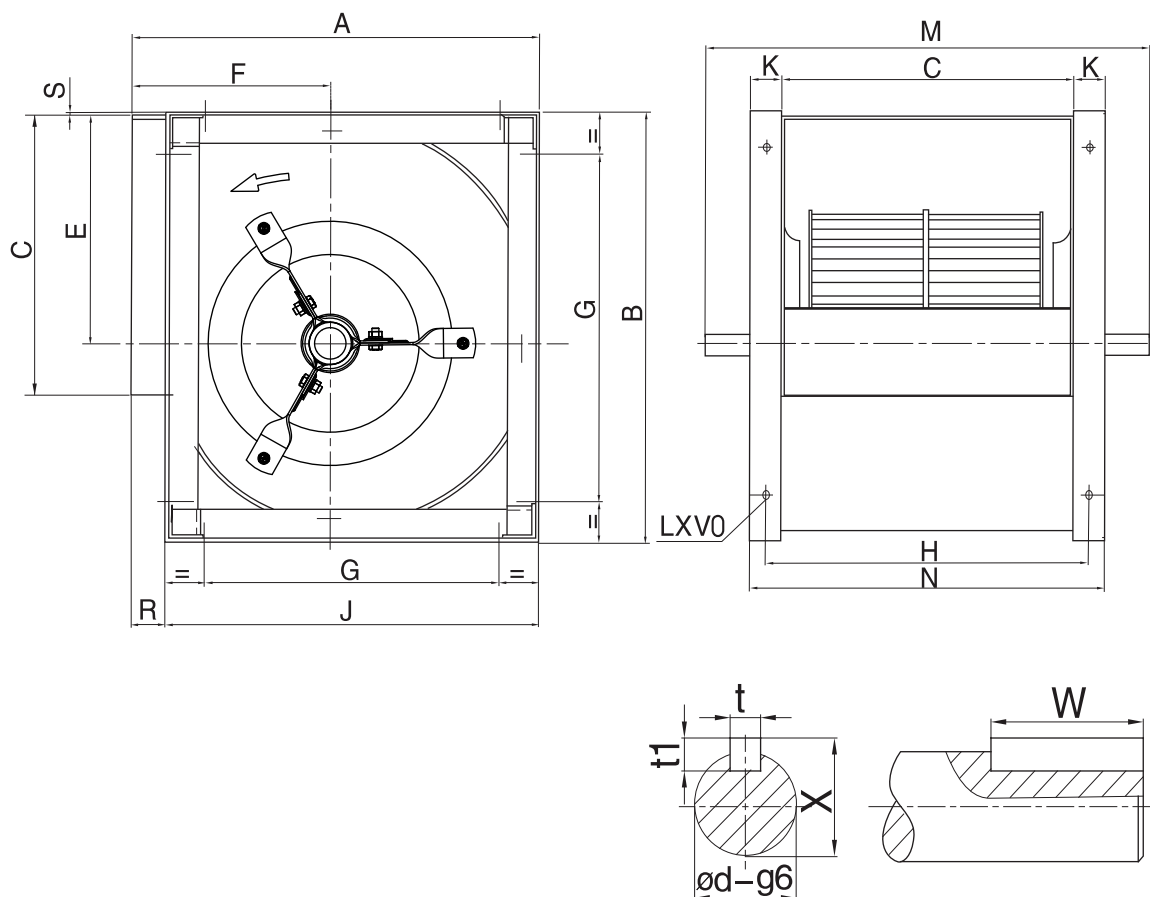
LDD January 2016

LDD-L



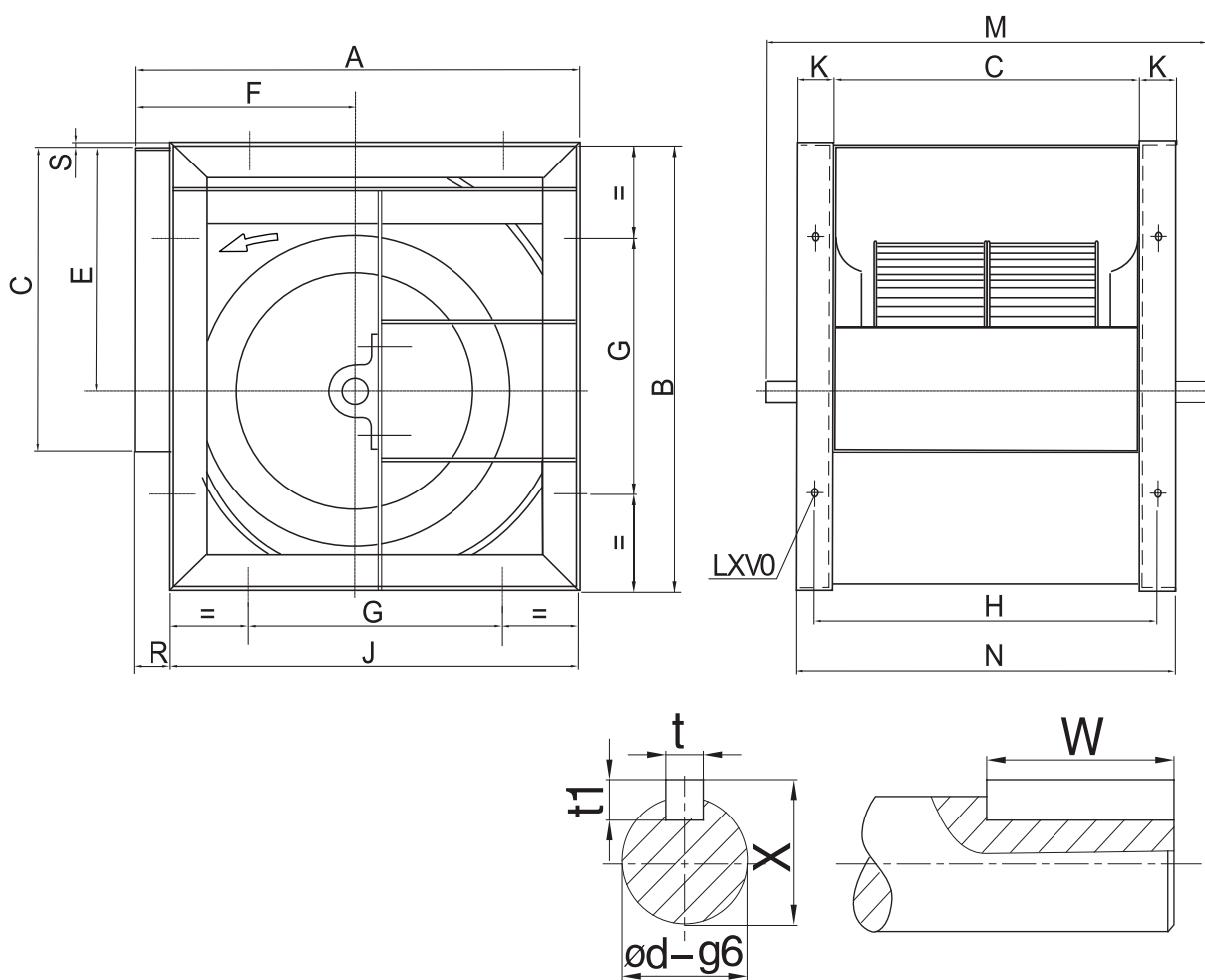
| Model | A | B | C | E | F | G | J | M | N | X1 | H1 | H2 | H3 | t | t1 | X | W | ϕd |
|-------|-----|-------|-----|-----|-----|-----|-----|-----|-----|-----|-----|-----|-----|---|----|------|----|----------|
| 200 | 342 | 364 | 256 | 215 | 164 | 224 | 281 | 420 | 306 | 112 | 181 | 245 | 184 | 6 | 6 | 22.5 | 40 | 20 |
| 225 | 380 | 407.8 | 288 | 243 | 180 | 224 | 313 | 460 | 338 | 112 | 197 | 274 | 204 | 6 | 6 | 22.5 | 50 | 20 |
| 250 | 417 | 454 | 321 | 270 | 195 | 224 | 347 | 490 | 372 | 112 | 210 | 299 | 227 | 6 | 6 | 22.5 | 50 | 20 |

LDD-R



| Model | A | B | C | E | F | G | H | J | K | M | N | R | S | t | t1 | W | X | ϕd | LxV |
|-------|------|------|-----|-------|-----|-----|-----|------|----|------|-----|----|-----|----|----|----|------|----------|-------|
| 280 | 466 | 518 | 360 | 302 | 215 | 280 | 391 | 432 | 30 | 555 | 421 | 34 | 5 | 8 | 7 | 40 | 28 | 25 | 13x18 |
| 315 | 518 | 578 | 404 | 340 | 236 | 280 | 434 | 480 | 30 | 600 | 464 | 38 | 3 | 8 | 7 | 40 | 28 | 25 | 13x18 |
| 355 | 578 | 655 | 455 | 383 | 261 | 355 | 493 | 548 | 40 | 675 | 533 | 30 | 6 | 8 | 7 | 65 | 33 | 30 | 13x18 |
| 400 | 651 | 736 | 508 | 431.5 | 290 | 355 | 547 | 613 | 40 | 725 | 587 | 38 | 4.5 | 8 | 7 | 65 | 33 | 30 | 13x18 |
| 450 | 726 | 827 | 568 | 486 | 322 | 530 | 609 | 681 | 40 | 815 | 649 | 45 | 5 | 10 | 8 | 70 | 38 | 35 | 13x18 |
| 500 | 800 | 914 | 637 | 538 | 352 | 530 | 678 | 750 | 40 | 885 | 718 | 50 | 5 | 10 | 8 | 50 | 38 | 35 | 13x18 |
| 560 | 893 | 1030 | 710 | 602 | 390 | 530 | 765 | 845 | 50 | 1000 | 815 | 48 | 8 | 12 | 8 | 70 | 43 | 40 | 13x18 |
| 630 | 999 | 1157 | 798 | 678.5 | 434 | 530 | 851 | 946 | 50 | 1090 | 901 | 53 | 7 | 14 | 9 | 70 | 48.5 | 45 | 13x18 |
| 710 | 1121 | 1303 | 898 | 765 | 485 | 630 | 948 | 1058 | 50 | 1255 | 998 | 63 | 7 | 14 | 9 | 90 | 53.5 | 50 | 17x22 |

LDD-K

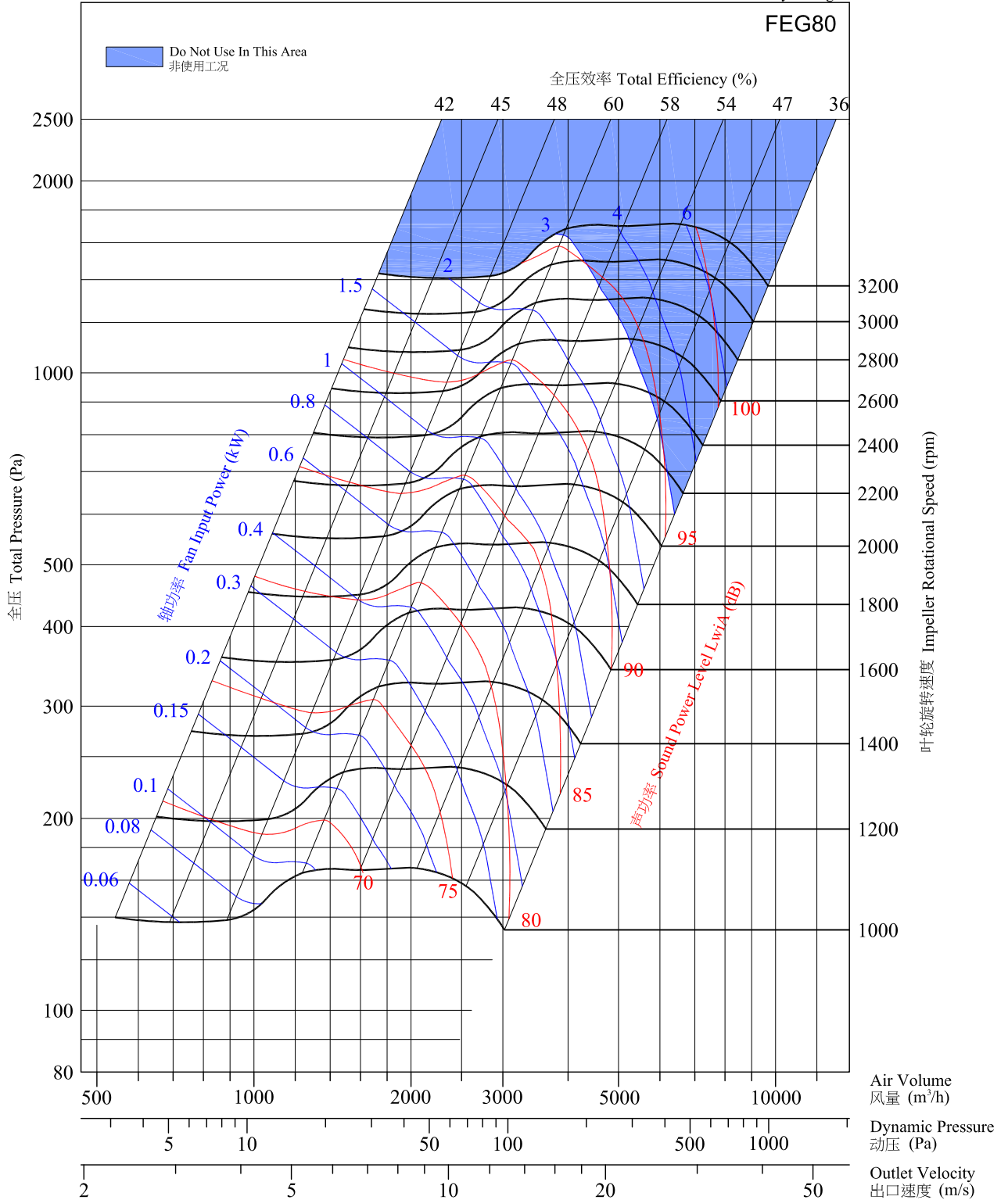


| Model | A | B | C | E | F | G | H | J | K | M | N | R | S | t | t1 | W | X | φd | LxV |
|-------|------|------|------|-------|-----|-----|------|------|----|------|------|----|-----|----|----|-----|------|----|-------|
| 280 | 466 | 518 | 360 | 302 | 215 | 280 | 391 | 432 | 30 | 580 | 421 | 34 | 5 | 8 | 7 | 40 | 33 | 30 | 13x18 |
| 315 | 518 | 578 | 404 | 340 | 236 | 280 | 434 | 480 | 30 | 625 | 464 | 38 | 3 | 8 | 7 | 40 | 33 | 30 | 13x18 |
| 355 | 578 | 655 | 455 | 383 | 261 | 355 | 493 | 548 | 40 | 685 | 533 | 30 | 6 | 10 | 8 | 50 | 38 | 35 | 13x18 |
| 400 | 651 | 736 | 508 | 431.5 | 290 | 355 | 547 | 613 | 40 | 790 | 587 | 38 | 4.5 | 10 | 8 | 70 | 38 | 35 | 13x18 |
| 450 | 726 | 827 | 568 | 486 | 322 | 530 | 609 | 681 | 40 | 850 | 649 | 45 | 5 | 12 | 8 | 70 | 43 | 40 | 13x18 |
| 500 | 800 | 918 | 637 | 538 | 352 | 530 | 678 | 750 | 40 | 920 | 718 | 50 | 5 | 12 | 8 | 70 | 43 | 40 | 13x18 |
| 560 | 893 | 1030 | 710 | 602 | 390 | 530 | 765 | 845 | 50 | 1070 | 815 | 48 | 8 | 14 | 9 | 90 | 53.5 | 50 | 13x18 |
| 630 | 999 | 1157 | 798 | 678.5 | 434 | 530 | 851 | 946 | 50 | 1155 | 901 | 53 | 7 | 14 | 9 | 90 | 53.5 | 50 | 13x18 |
| 710 | 1121 | 1303 | 898 | 765 | 485 | 630 | 948 | 1058 | 50 | 1290 | 998 | 63 | 7 | 18 | 11 | 90 | 64 | 60 | 17x22 |
| 800 | 1250 | 1468 | 1010 | 862 | 535 | 710 | 1057 | 1181 | 50 | 1450 | 1107 | 69 | 7 | 18 | 11 | 90 | 64 | 60 | 17x22 |
| 900 | 1408 | 1648 | 1138 | 971 | 604 | 800 | 1180 | 1319 | 60 | 1570 | 1250 | 89 | 9 | 18 | 11 | 100 | 64 | 60 | 17x22 |
| 1000 | 1541 | 1810 | 1267 | 1066 | 657 | 900 | 1317 | 1462 | 60 | 1700 | 1387 | 79 | 9 | 18 | 11 | 100 | 64 | 60 | 17x22 |



LDD 200

气体密度 Gas Density: 1.2kg/m³



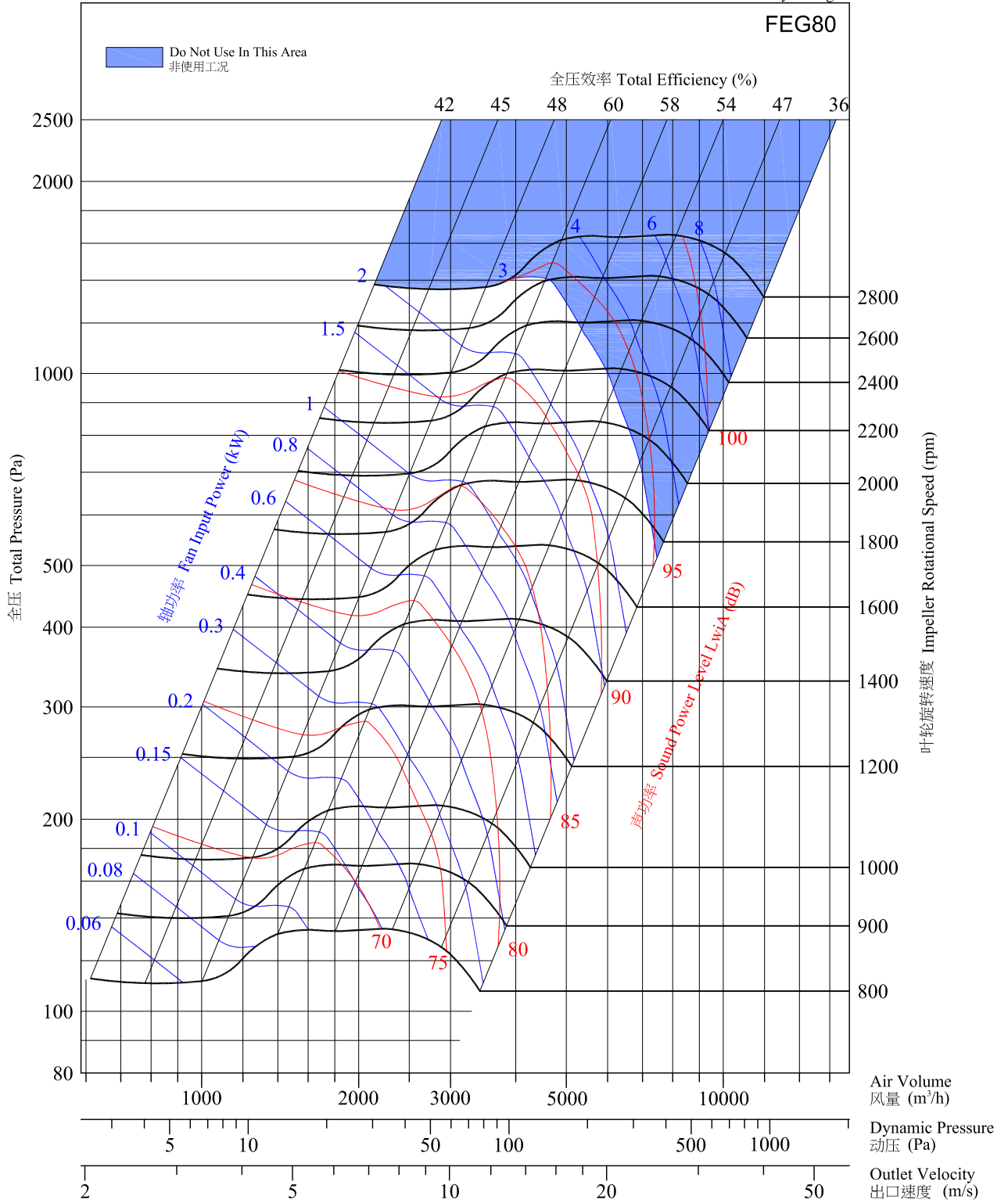
Performance certified is for installation type B - Free inlet, Ducted outlet. Power rating (kW) does not include transmission losses. Performance ratings do not include the effects of appurtenances (accessories). The A-weighted sound ratings shown have been calculated per AMCA International Standard 301. Values shown are for inlet L_{wiA} sound power levels for installation Type B: free inlet, ducted outlet.

经认证的性能是B类安装-自由入口，管道出口。功率额定值(kW)不包括传输(动)损失。各项性能额定值不包括附属物(附件)的影响。所示A加权声音性能额定值已按AMCA International 标准301计算。所示值为安装类型B-自由入口，管道出口的声功率级(入口L_{wiA})。



LDD 225

气体密度 Gas Density: 1.2kg/m³



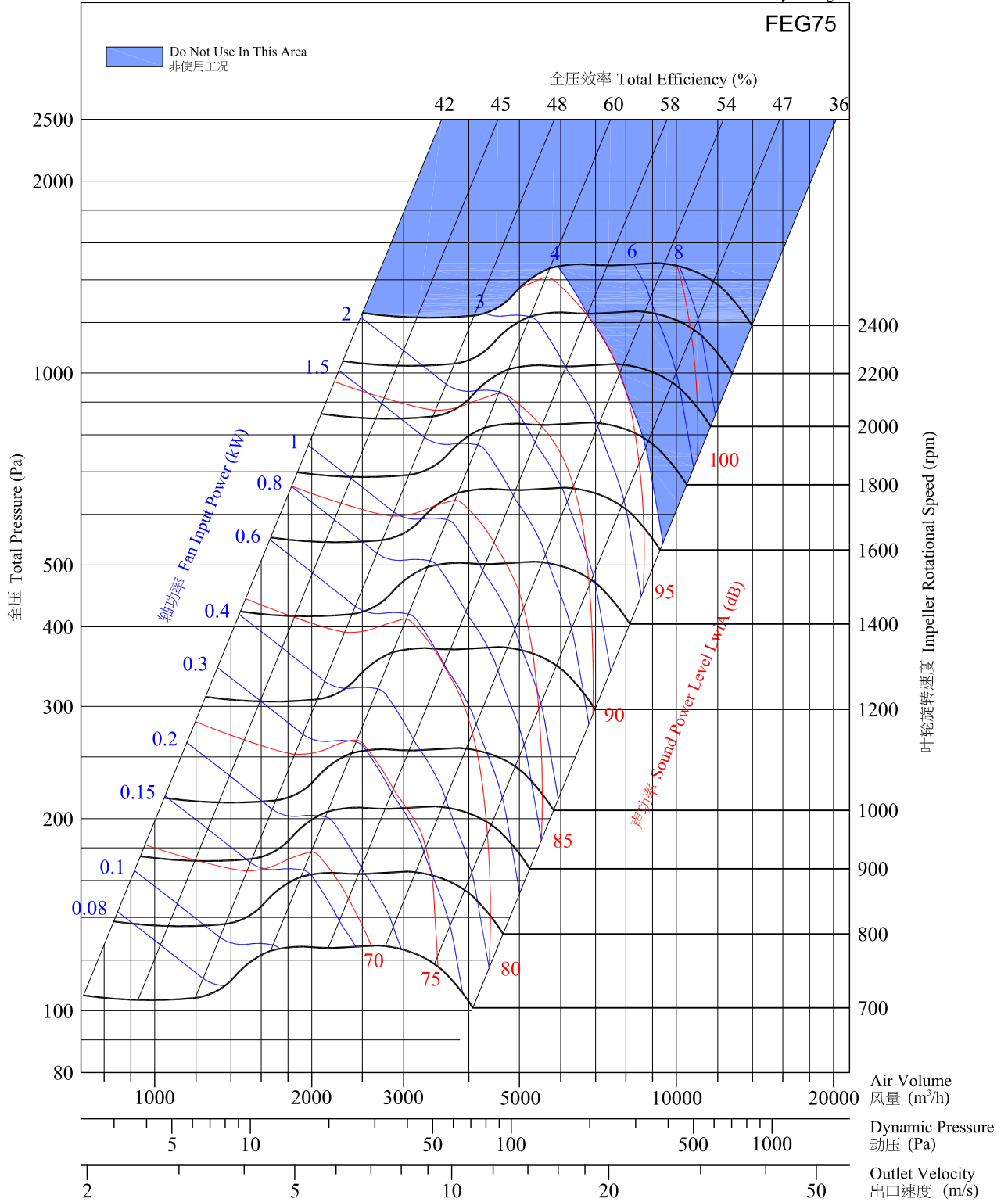
Performance certified is for installation type B - Free inlet, Ducted outlet. Power rating (kW) does not include transmission losses. Performance ratings do not include the effects of appurtenances (accessories). The A-weighted sound ratings shown have been calculated per AMCA International Standard 301. Values shown are for inlet L_{wiA} sound power levels for installation Type B: free inlet, ducted outlet.

经认证的性能是B类安装-自由入口，管道出口。功率额定值(kW)不包括传输(动)损失。各项性能额定值不包括附属物(附件)的影响。所示A加权声音性能额定值已按AMCA International 标准301计算。所示值为安装类型B-自由入口，管道出口的声功率级(入口L_{wiA})。



LDD 250

气体密度 Gas Density: 1.2kg/m³



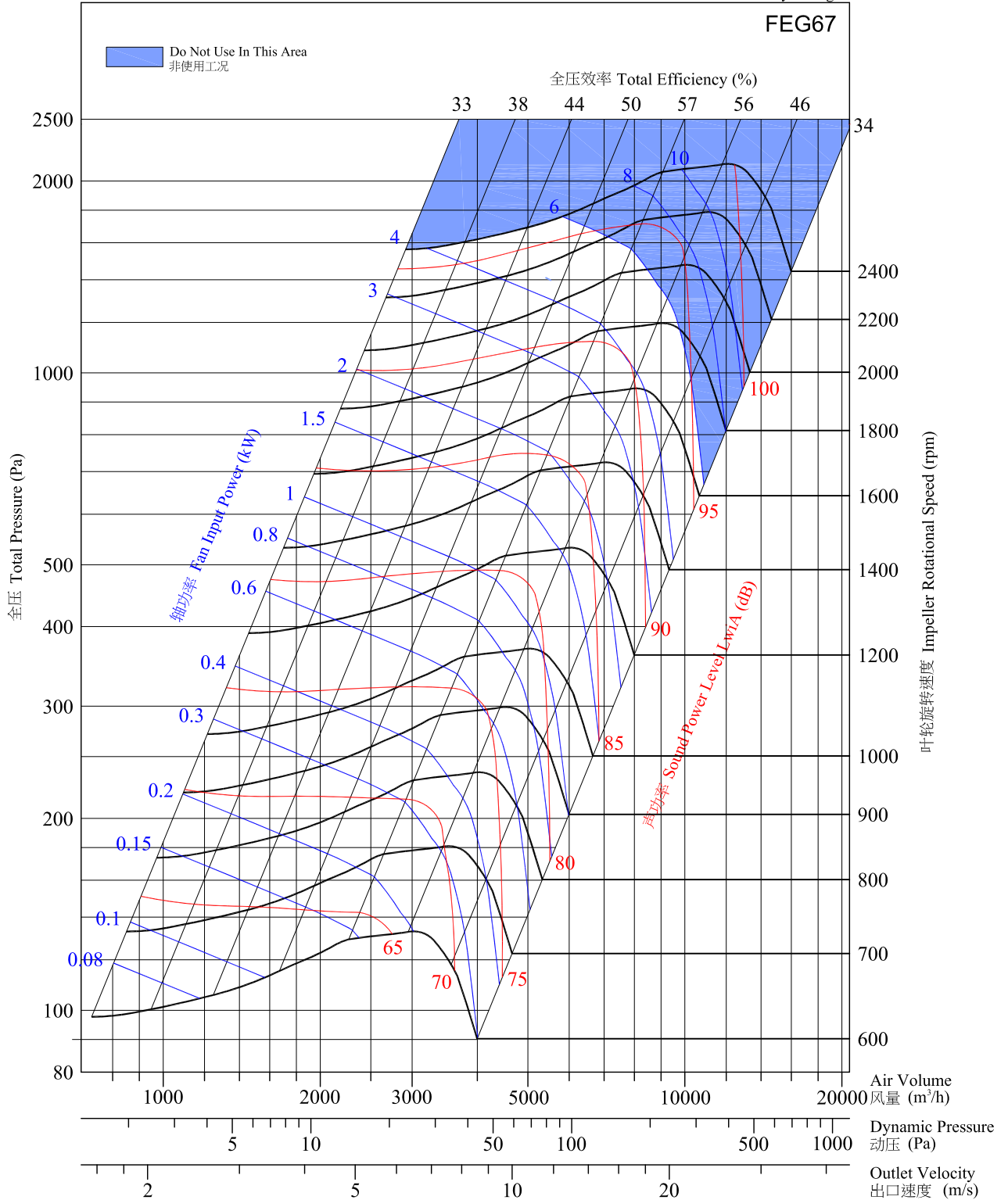
Performance certified is for installation type B - Free inlet, Ducted outlet. Power rating (kW) does not include transmission losses. Performance ratings do not include the effects of appurtenances (accessories). The A-weighted sound ratings shown have been calculated per AMCA International Standard 301. Values shown are for inlet L_{wA} sound power levels for installation Type B: free inlet, ducted outlet.

经认证的性能是B类安装-自由入口，管道出口。功率额定值(kW)不包括传输(动)损失。各项性能额定值不包括附属物(附件)的影响。所示A加权声音性能额定值已按AMCA International 标准301计算。所示值为安装类型B-自由入口，管道出口的声功率级(入口L_{wA})。



LDD 280

气体密度 Gas Density : 1.2kg/m³



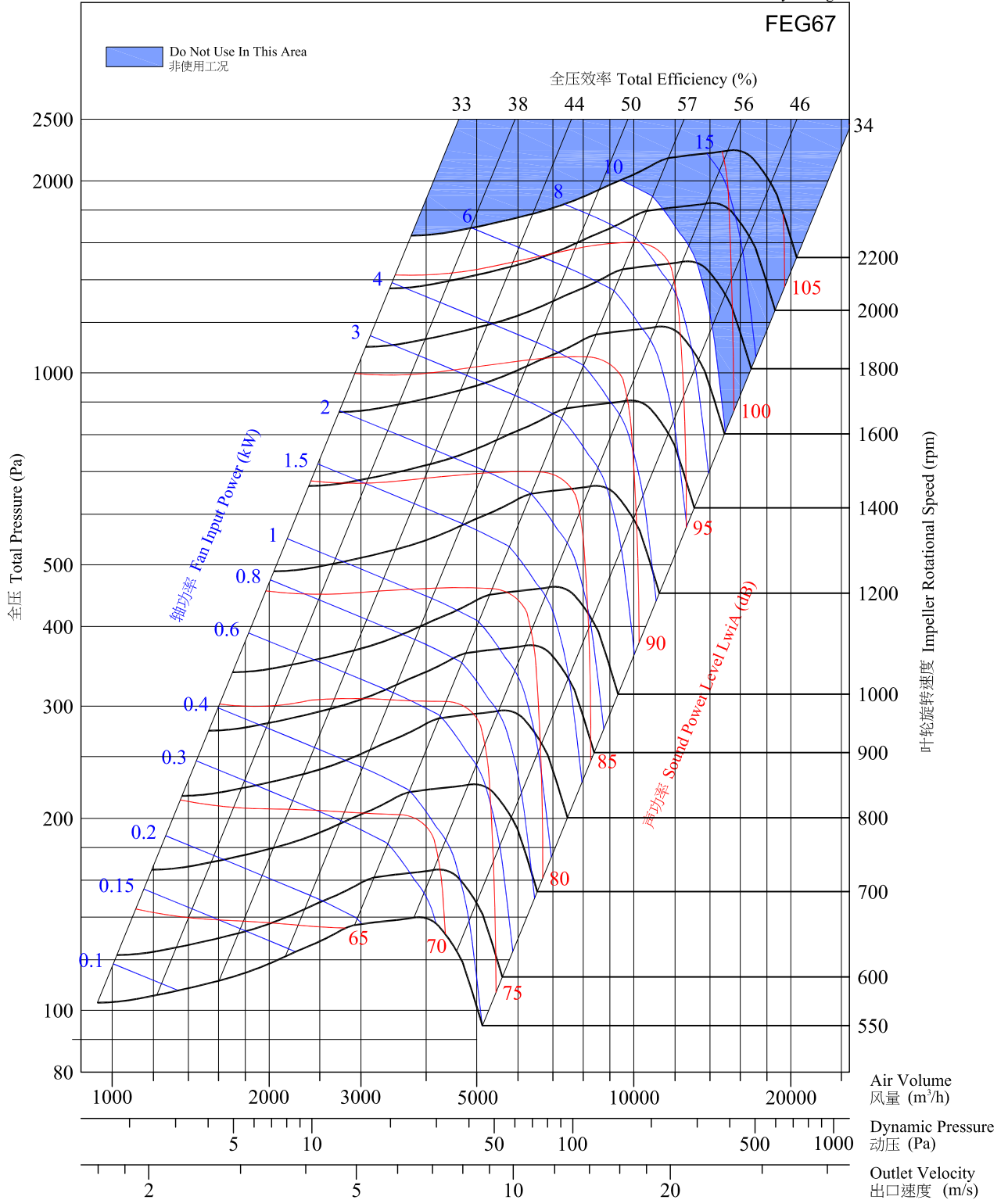
Performance certified is for installation type B - Free inlet, Ducted outlet. Power rating (kW) does not include transmission losses. Performance ratings do not include the effects of appurtenances (accessories). The A-weighted sound ratings shown have been calculated per AMCA International Standard 301. Values shown are for inlet L_wA sound power levels for installation Type B: free inlet, ducted outlet.

经认证的性能是B类安装-自由入口，管道出口。功率额定值(kW)不包括传输(动)损失。各项性能额定值不包括附属物(附件)的影响。所示A加权声音性能额定值已按AMCA International 标准301计算。所示值为安装类型B-自由入口，管道出口的声功率级(入口L_wA)。



LDD 315

气体密度 Gas Density : 1.2kg/m³



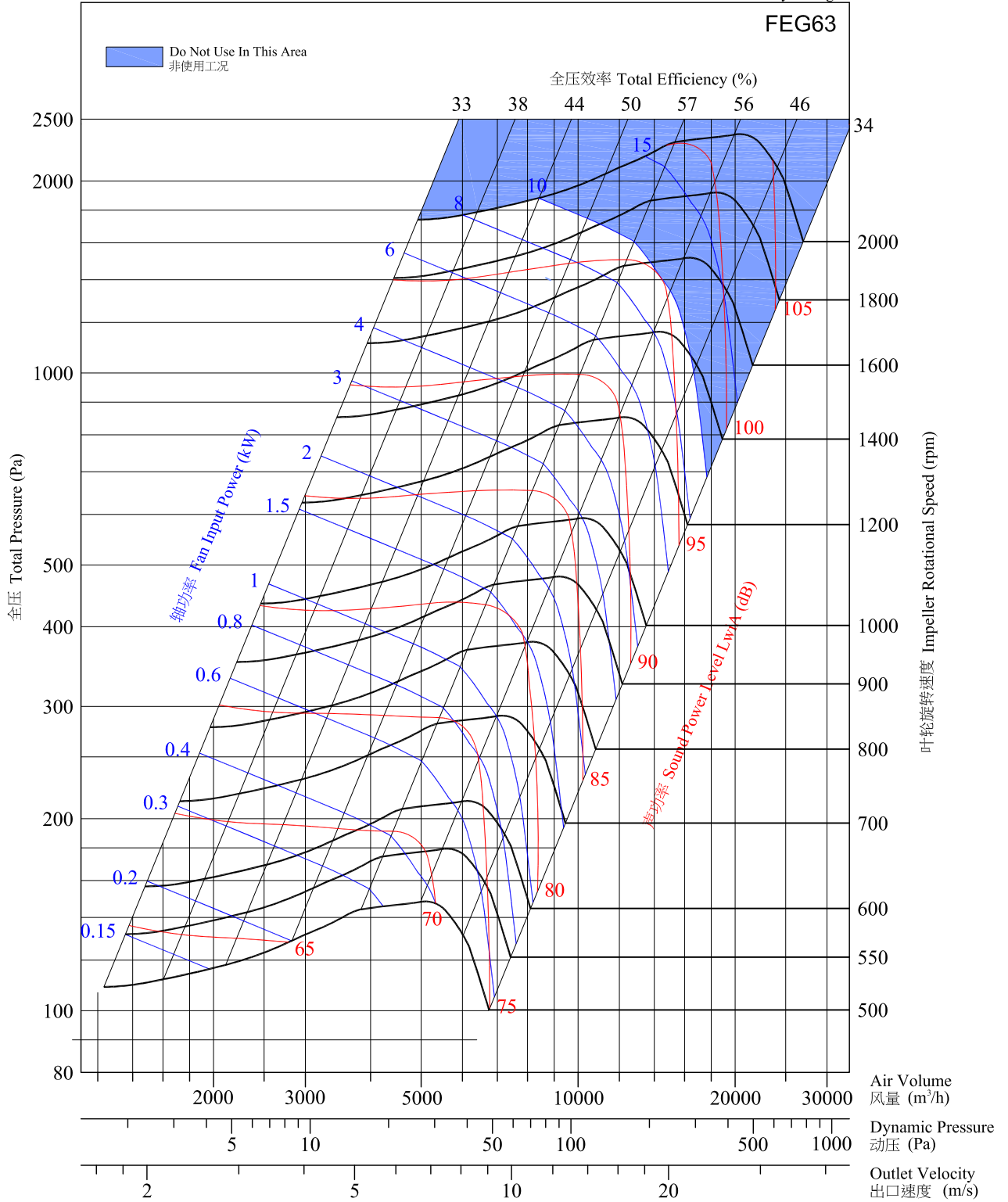
Performance certified is for installation type B - Free inlet, Ducted outlet. Power rating (kW) does not include transmission losses. Performance ratings do not include the effects of appurtenances (accessories). The A-weighted sound ratings shown have been calculated per AMCA International Standard 301. Values shown are for inlet L_{wiA} sound power levels for installation Type B: free inlet, ducted outlet.

经认证的性能是B类安装-自由入口，管道出口。功率额定值(kW)不包括传输(动)损失。各项性能额定值不包括附属物(附件)的影响。所示A加权声音性能额定值已按AMCA International 标准301计算。所示值为安装类型B-自由入口，管道出口的声功率级(入口L_{wiA})。



LDD 355

气体密度 Gas Density: 1.2kg/m³



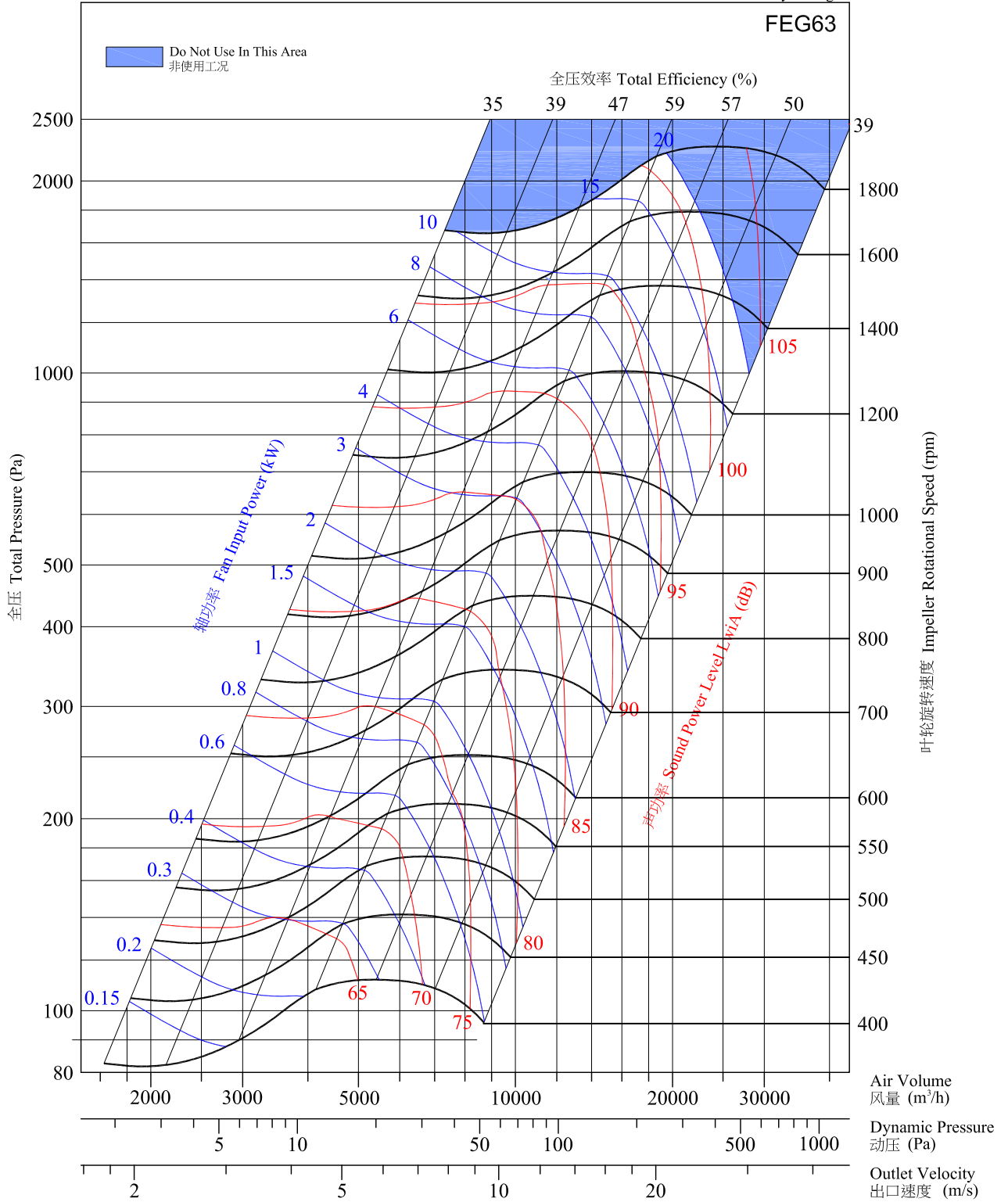
Performance certified is for installation type B - Free inlet, Ducted outlet. Power rating (kW) does not include transmission losses. Performance ratings do not include the effects of appurtenances (accessories). The A-weighted sound ratings shown have been calculated per AMCA International Standard 301. Values shown are for inlet L_{wA} sound power levels for installation Type B: free inlet, ducted outlet.

经认证的性能是B类安装-自由入口，管道出口。功率额定值(kW)不包括传输(动)损失。各项性能额定值不包括附属物(附件)的影响。所示A加权声音性能额定值已按AMCA International 标准301计算。所示值为安装类型B-自由入口，管道出口的声功率级(入口L_{wA})。



LDD 400

气体密度 Gas Density: 1.2kg/m³



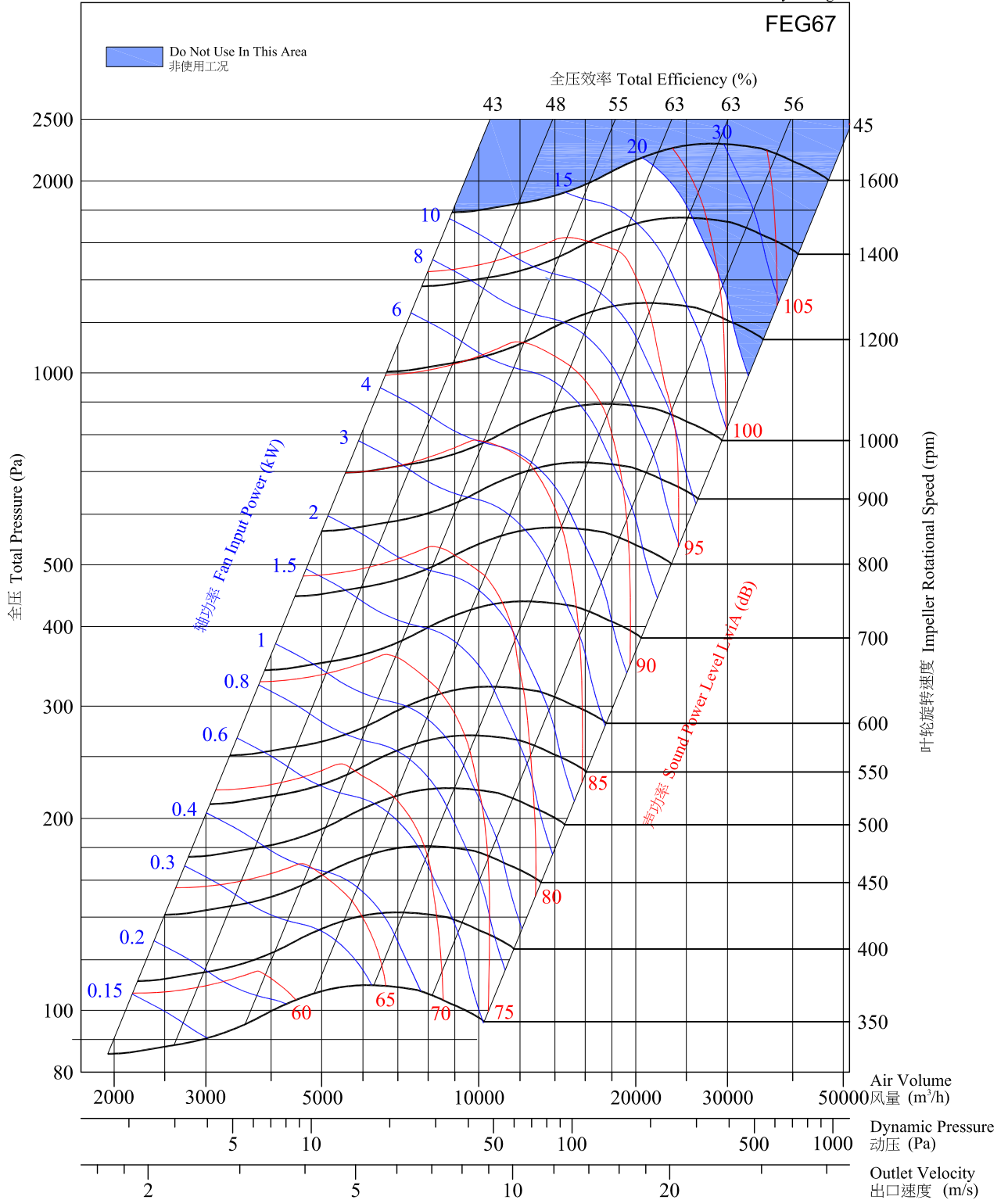
Performance certified is for installation type B - Free inlet, Ducted outlet. Power rating (kW) does not include transmission losses. Performance ratings do not include the effects of appurtenances (accessories). The A-weighted sound ratings shown have been calculated per AMCA International Standard 301. Values shown are for inlet L_{wiA} sound power levels for installation Type B: free inlet, ducted outlet.

经认证的性能是B类安装-自由入口，管道出口。功率额定值(kW)不包括传输(动)损失。各项性能额定值不包括附属物(附件)的影响。所示A加权声音性能额定值已按AMCA International 标准301计算。所示值为安装类型B-自由入口，管道出口的声功率级(入口L_{wiA})。



LDD 450

气体密度 Gas Density: 1.2kg/m³



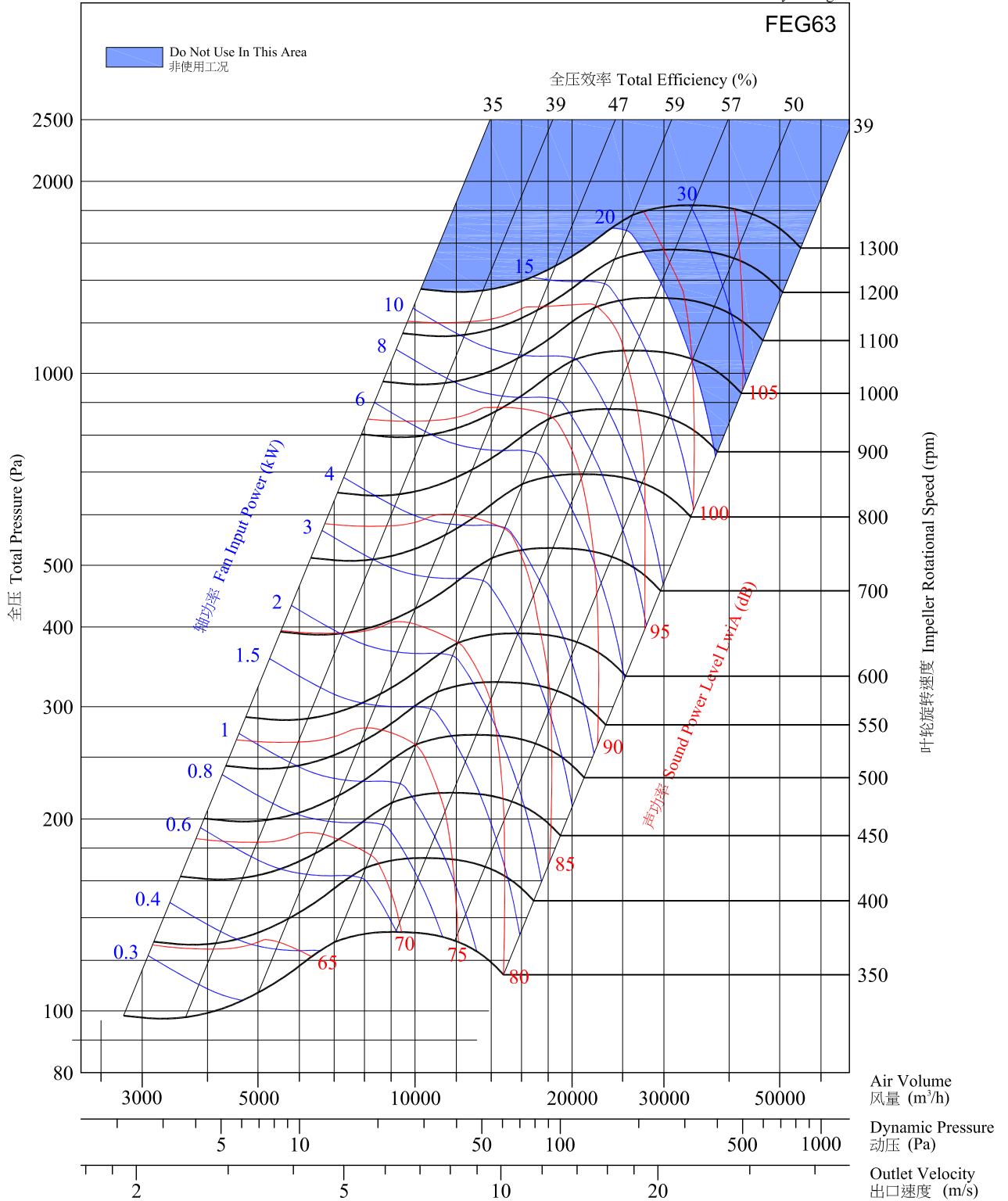
Performance certified is for installation type B - Free inlet, Ducted outlet. Power rating (kW) does not include transmission losses. Performance ratings do not include the effects of appurtenances (accessories). The A-weighted sound ratings shown have been calculated per AMCA International Standard 301. Values shown are for inlet L_{wiA} sound power levels for installation Type B: free inlet, ducted outlet.

经认证的性能是B类安装-自由入口，管道出口。功率额定值(kW)不包括传输(动)损失。各项性能额定值不包括附属物(附件)的影响。所示A加权声音性能额定值已按AMCA International 标准301计算。所示值为安装类型B-自由入口，管道出口的声功率级(入口L_{wiA})。



LDD 500

气体密度 Gas Density: 1.2kg/m³



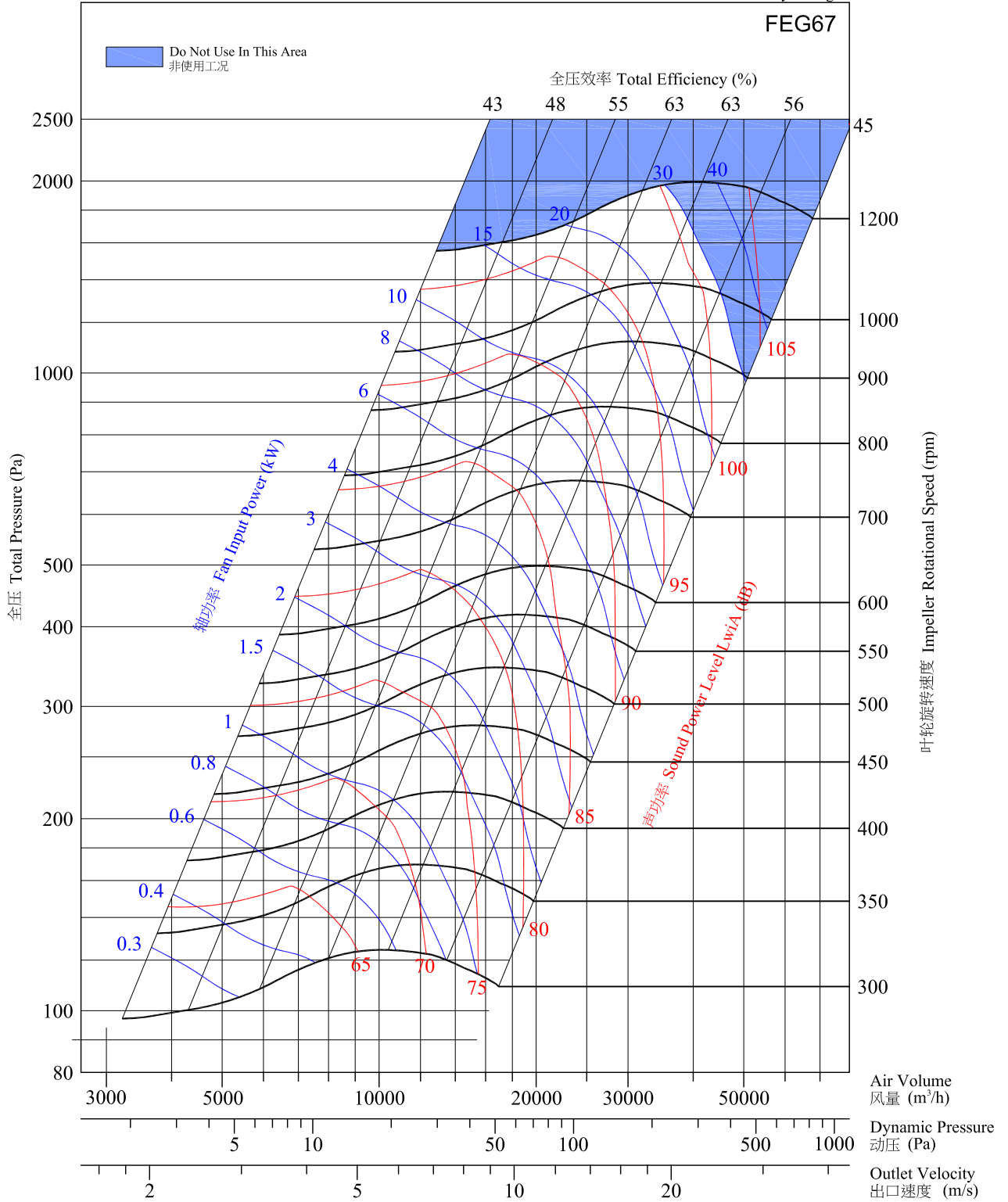
Performance certified is for installation type B - Free inlet, Ducted outlet. Power rating (kW) does not include transmission losses. Performance ratings do not include the effects of appurtenances (accessories). The A-weighted sound ratings shown have been calculated per AMCA International Standard 301. Values shown are for inlet L_{wiA} sound power levels for installation Type B: free inlet, ducted outlet.

经认证的性能是B类安装-自由入口，管道出口。功率额定值(kW)不包括传输(动)损失。各项性能额定值不包括附属物(附件)的影响。所示A加权声音性能额定值已按AMCA International 标准301计算。所示值为安装类型B-自由入口，管道出口的声功率级(入口L_{wiA})。



LDD 560

气体密度 Gas Density: 1.2kg/m³



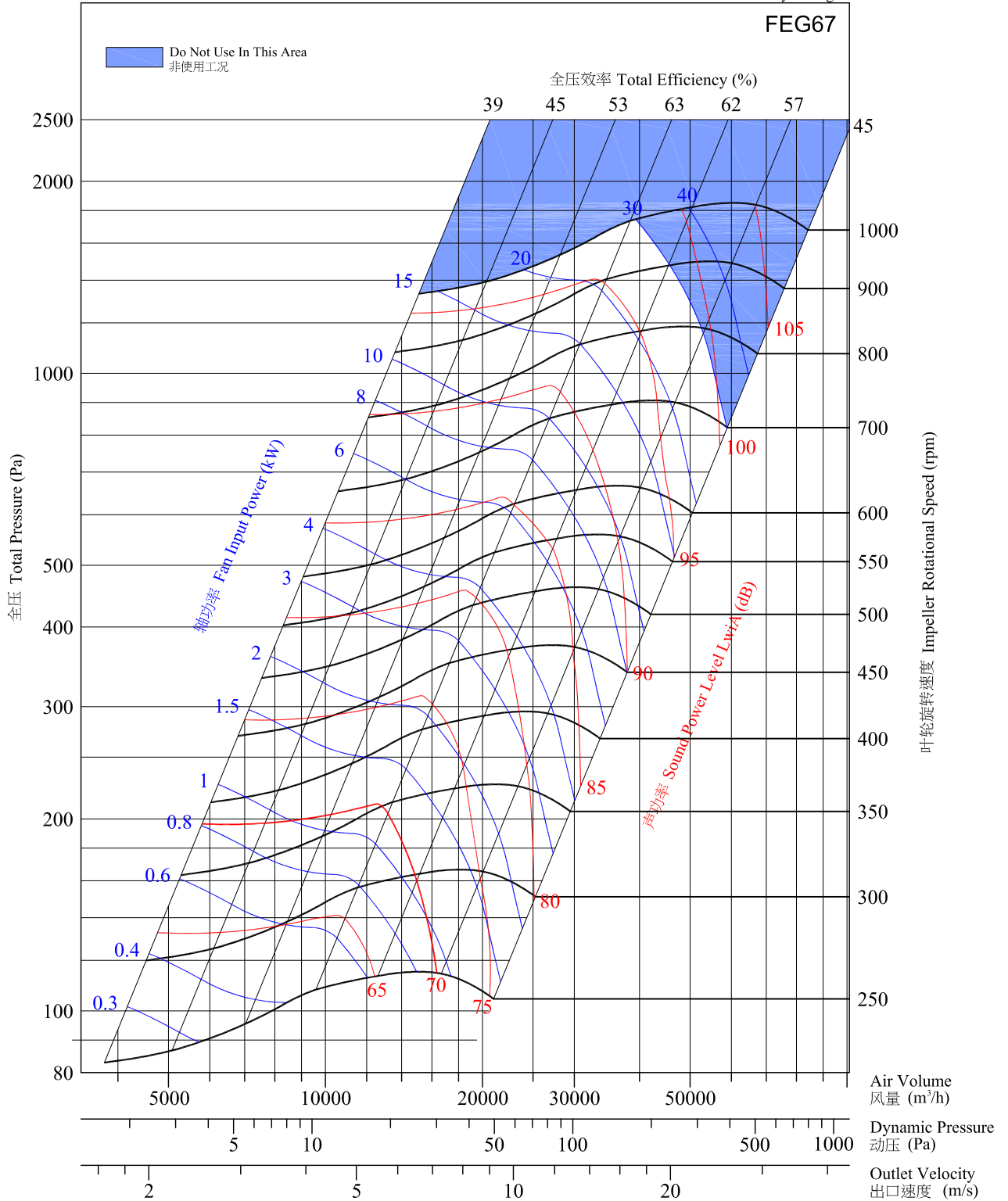
Performance certified is for installation type B - Free inlet, Ducted outlet. Power rating (kW) does not include transmission losses. Performance ratings do not include the effects of appurtenances (accessories). The A-weighted sound ratings shown have been calculated per AMCA International Standard 301. Values shown are for inlet L_{wiA} sound power levels for installation Type B: free inlet, ducted outlet.

经认证的性能是B类安装-自由入口，管道出口。功率额定值(kW)不包括传输(动)损失。各项性能额定值不包括附属物(附件)的影响。所示A加权声音性能额定值已按AMCA International 标准301计算。所示值为安装类型B-自由入口，管道出口的声功率级(入口L_{wiA})。



LDD 630

气体密度 Gas Density: 1.2kg/m³

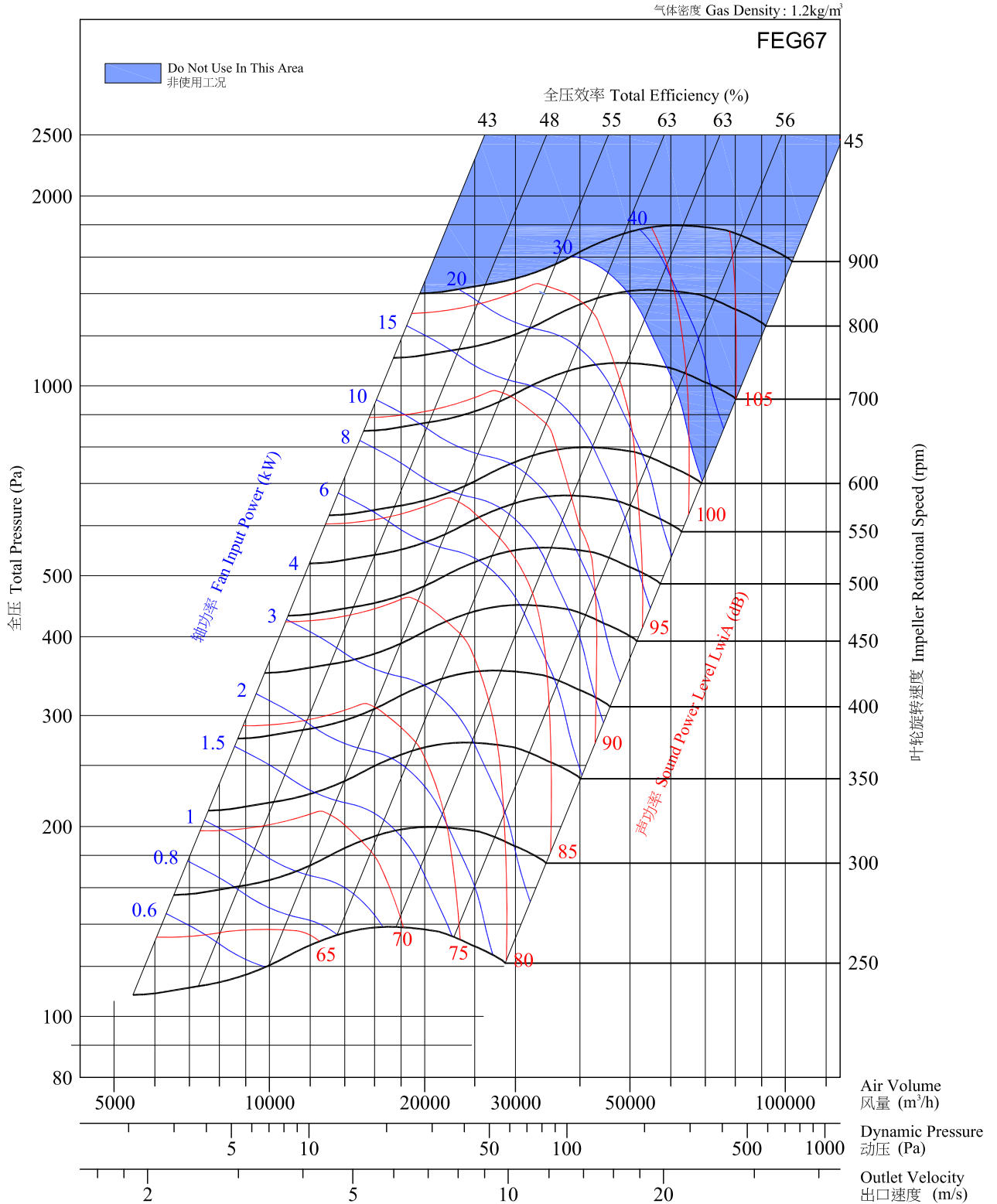


Performance certified is for installation type B - Free inlet, Ducted outlet. Power rating (kW) does not include transmission losses. Performance ratings do not include the effects of appurtenances (accessories). The A-weighted sound ratings shown have been calculated per AMCA International Standard 301. Values shown are for inlet L_{wiA} sound power levels for installation Type B: free inlet, ducted outlet.

经认证的性能是B类安装-自由入口，管道出口。功率额定值(kW)不包括传输(动)损失。各项性能额定值不包括附属物(附件)的影响。所示A加权声音性能额定值已按AMCA International 标准301计算。所示值为安装类型B-自由入口，管道出口的声功率级(入口L_{wiA})。



LDD 710

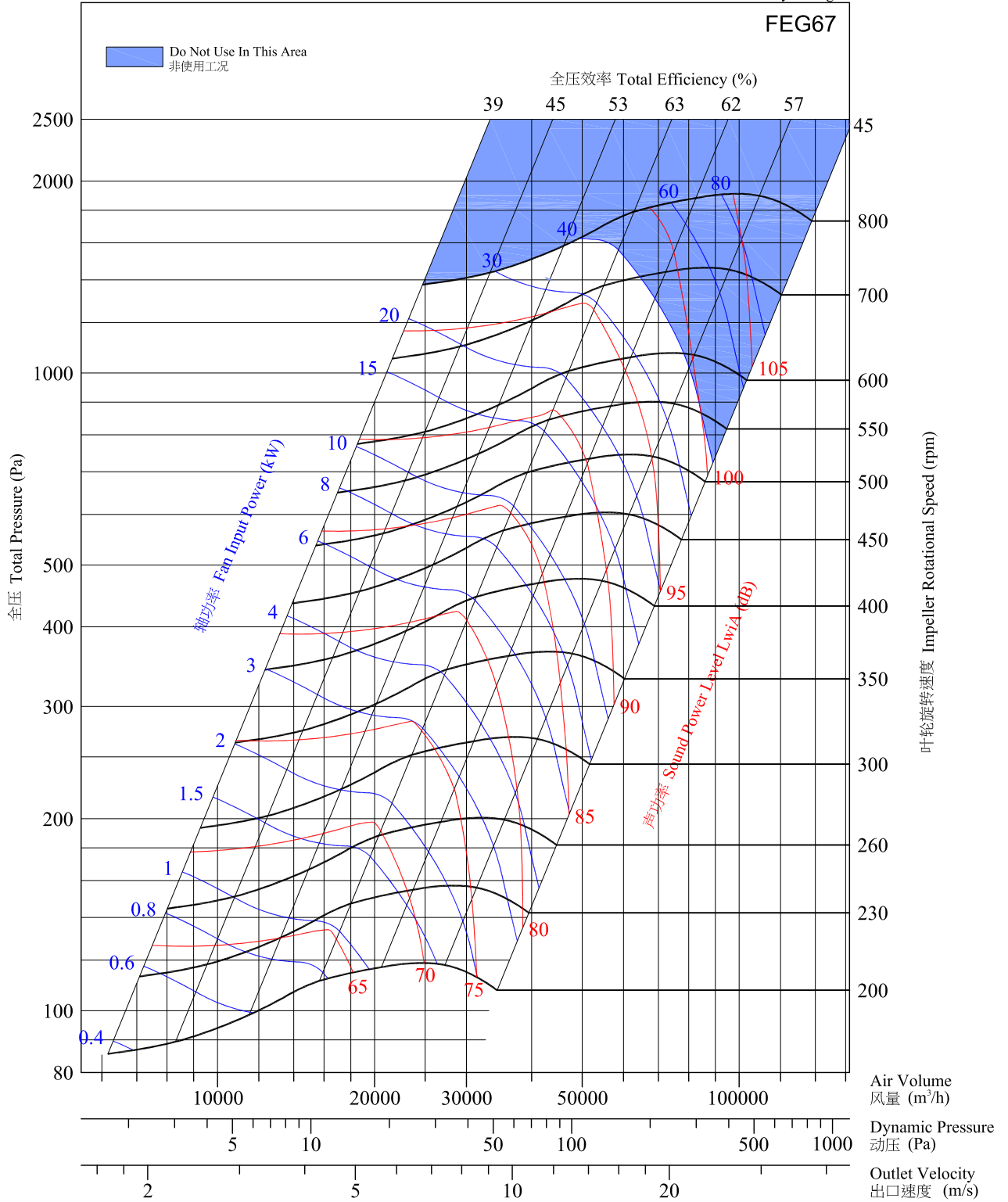


Performance certified is for installation type B - Free inlet, Ducted outlet. Power rating (kW) does not include transmission losses. Performance ratings do not include the effects of appurtenances (accessories). The A-weighted sound ratings shown have been calculated per AMCA International Standard 301. Values shown are for inlet LwiA sound power levels for installation Type B: free inlet, ducted outlet. 经认证的性能是B类安装-自由入口，管道出口。功率额定值(kW)不包括传输(动)损失。各项性能额定值不包括附属物(附件)的影响。所示A加权声音性能额定值已按AMCA International 标准301计算。所示值为安装类型B-自由入口，管道出口的声功率级(入口LwiA)。



LDD 800

气体密度 Gas Density: 1.2kg/m³

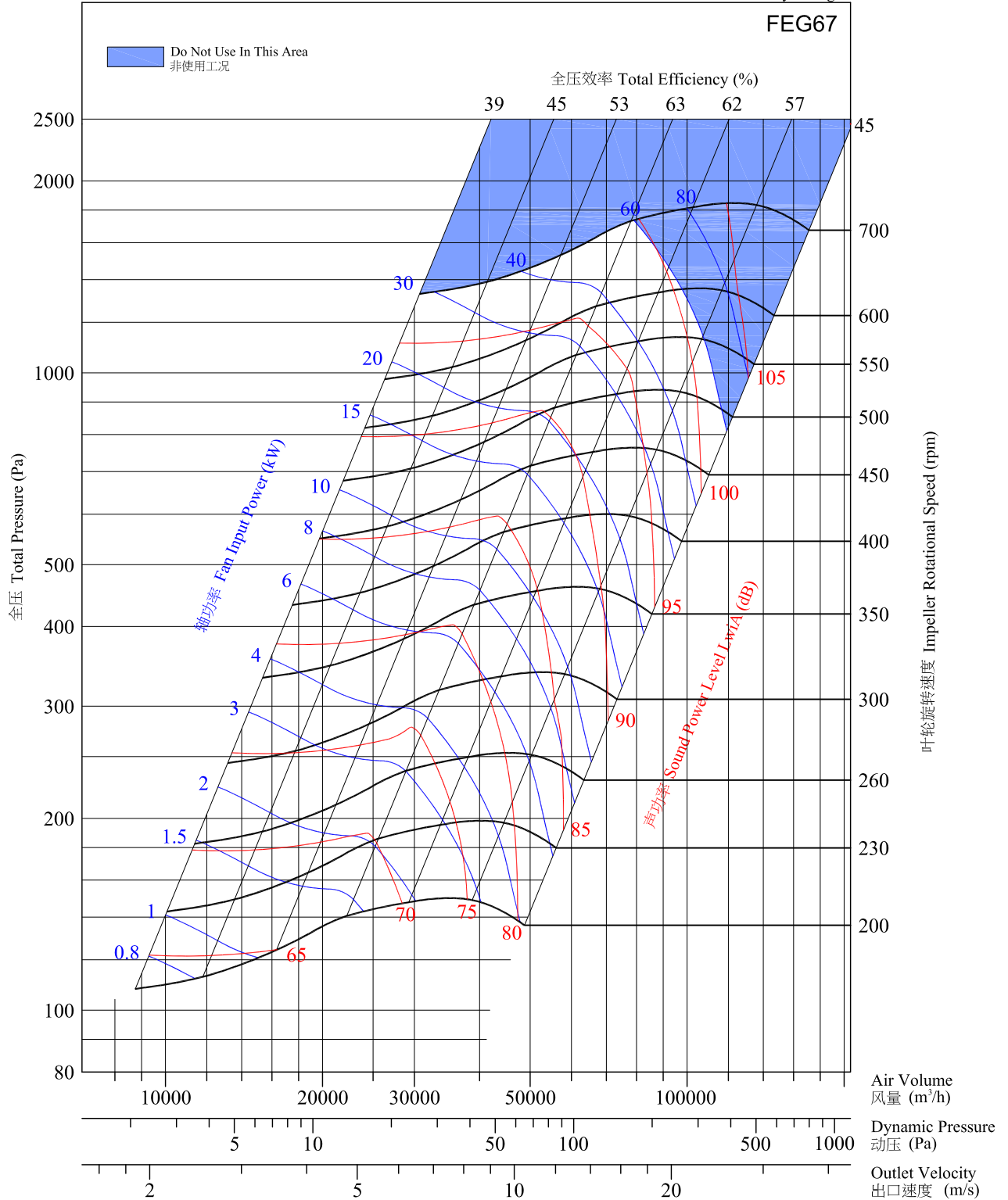


Performance certified is for installation type B - Free inlet, Ducted outlet. Power rating (kW) does not include transmission losses. Performance ratings do not include the effects of appurtenances (accessories). The A-weighted sound ratings shown have been calculated per AMCA International Standard 301. Values shown are for inlet L_{wiA} sound power levels for installation Type B: free inlet, ducted outlet.

经认证的性能是B类安装-自由入口，管道出口。功率额定值(kW)不包括传输(动)损失。各项性能额定值不包括附属物(附件)的影响。所示A加权声音性能额定值已按AMCA International 标准301计算。所示值为安装类型B-自由入口，管道出口的声功率级(入口L_{wiA})。

LDD 900

气体密度 Gas Density: 1.2kg/m³



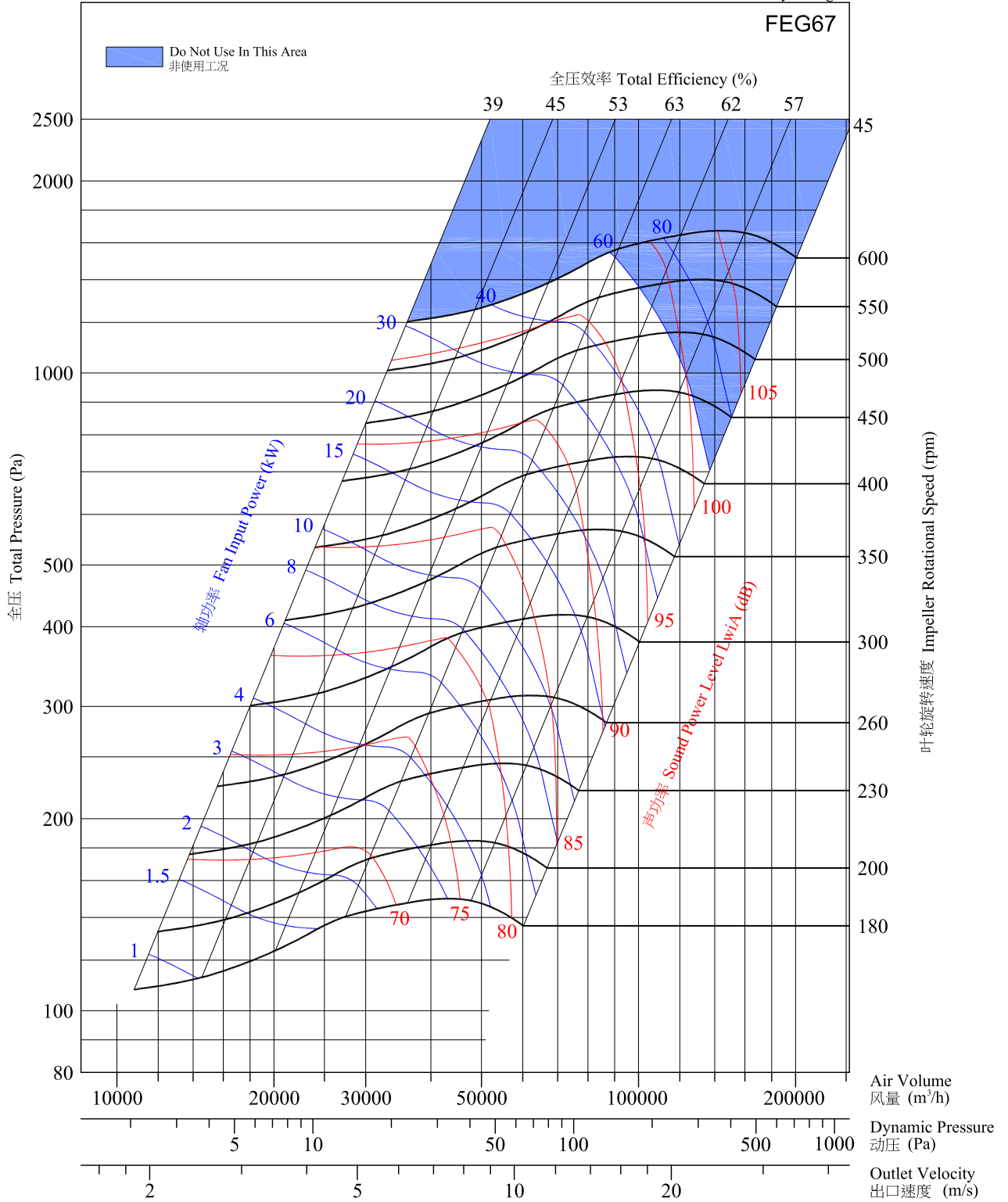
Performance certified is for installation type B - Free inlet, Ducted outlet. Power rating (kW) does not include transmission losses. Performance ratings do not include the effects of appurtenances (accessories). The A-weighted sound ratings shown have been calculated per AMCA International Standard 301. Values shown are for inlet Lw1A sound power levels for installation Type B: free inlet, ducted outlet.

经认证的性能是B类安装-自由入口，管道出口。功率额定值(kW)不包括传输(动)损失。各项性能额定值不包括附属物(附件)的影响。所示A加权声音性能额定值已按AMCA International 标准301计算。所示值为安装类型B-自由入口，管道出口的声功率级(入口Lw1A)。



LDD 1000

气体密度 Gas Density: 1.2kg/m³



Performance certified is for installation type B - Free inlet, Ducted outlet. Power rating (kW) does not include transmission losses. Performance ratings do not include the effects of appurtenances (accessories). The A-weighted sound ratings shown have been calculated per AMCA International Standard 301. Values shown are for inlet L_{wiA} sound power levels for installation Type B: free inlet, ducted outlet.

经认证的性能是B类安装-自由入口，管道出口。功率额定值(kW)不包括传输(动)损失。各项性能额定值不包括附属物(附件)的影响。所示A加权声音性能额定值已按AMCA International 标准301计算。所示值为安装类型B-自由入口，管道出口的声功率级(入口L_{wiA})。