



RESTAURANT
EXHAUSTERS

BACKWARD INCLINED
INLINE & UTILITY BLOWERS

FILTERED FRESH AIR
SUPPLY UNITS

PERFORMANCE GREEN
DIRECT DRIVE SERIES

SPUN ALUMINUM
EXHAUSTERS

FORWARD CURVED
INLINE & UTILITY BLOWERS

ROOF
EXHAUSTERS

HEATING/COOLING
COILS



CANARM.... PROVIDING CUSTOMERS WITH VALUE, KNOWLEDGE AND QUALITY PRODUCTS



CONTENTS

NOTE:

CFM values listed above are summarized for convenience.
For full performance CFM & SP consult Delhi's 'Delair' blower selection program or visit www.delhi-industries.com

SINGLE & TWIN FORWARD CURVED INLINE DUCT BLOWERS

| | |
|---------------------------------|-----|
| 200 Series | 1-2 |
| 9200 Series | 1-2 |
| 9200-VIB Series | 1-2 |
| IDB Series In-Line Duct Blowers | 1b |

FILTER SECTIONS & INTAKE HOODS

| | |
|-----------------------|----|
| F200A Filter Section | .2 |
| F9220A Filter Section | .2 |
| H9200 Intake Hood | .2 |

FORWARD CURVED INLINE SERIES DUCT BLOWERS

| | |
|---------------------|-----|
| Green Series 200DD | 3-4 |
| Green Series 9200DD | 3-4 |

FILTER SECTIONS & INTAKE HOODS

| | |
|----------------------|----|
| F200A Filter Section | .4 |
| H9200 Intake Hood | .4 |

PERFORMANCE GREEN DIRECT DRIVE SERIES

| | |
|---|----|
| Energy Efficient Direct Drive Cabinet Blowers | .5 |
|---|----|

HEATING & COOLING COILS

| | |
|-----------------------------------|----|
| HC Series Hot Water Heating Coils | .6 |
| CW Series Cooled Water Coils | .6 |

FC EXHAUSTER BELT DRIVE UTILITY BLOWERS

| | |
|------------|----|
| 400 Series | .7 |
| 600 Series | .8 |

BACKWARD INCLINED BELT DRIVE SQUARE INLINE BLOWERS

| | |
|--------------|----|
| DSQ-B Series | .9 |
|--------------|----|

BACKWARD INCLINED DIRECT DRIVE SQUARE INLINE BLOWERS

| | |
|--------------|----|
| DSQ-D Series | 10 |
|--------------|----|

FORWARD CURVED ROOF EXHAUSTERS

| | |
|--------------------|----|
| 300 Series | 11 |
| Green Series 300DD | 12 |

FILTERED FRESH AIR SUPPLY UNITS

| | |
|--------------------|----|
| 700 Series | 13 |
| Green Series 700DD | 14 |

SIDE INTAKE FILTERED FRESH AIR SUPPLY UNITS

| | |
|--------------------|----|
| SIS Series | 15 |
| Green Series SISDD | 16 |

BELT DRIVE UTILITY BLOWERS

| | |
|--------------|-------|
| BI Series | 17-18 |
| BI-RM Series | 17-18 |

OPTIONS & ACCESSORIES

| | |
|------------------------------------|----|
| Back Draft Dampers | 19 |
| Inlet Screens | 19 |
| Outlet Screens | 19 |
| Bolted Clean Out Door | 19 |
| Heat Slinger | 19 |
| V Cap | 19 |
| Drain Fitting | 19 |
| Shaft Seal | 19 |
| Vibration Isolators Rubber | 19 |
| Vibration Isolators Spring | 19 |
| Vibration Isolators Outdoor Spring | 19 |
| Aluminum Wheel | 19 |

CENTRIFUGAL, FORWARD CURVED, DIRECT DRIVE DWDI BLOWERS

| | |
|-------------|----|
| G-DD Series | 20 |
|-------------|----|

DOUBLE INLET BELT DRIVE BLOWERS

| | |
|----------|----|
| G Series | 21 |
|----------|----|

DOUBLE WIDTH, DOUBLE INLET BLOWERS WITH FRAME

| | |
|------------|----|
| 800 Series | 22 |
|------------|----|

DOUBLE WIDTH, DOUBLE INLET, FRAMED HEAVY DUTY BLOWERS - WITH PILLOW BLOCK BEARINGS

| | |
|------------|----|
| 900 Series | 23 |
|------------|----|

DOUBLE WIDTH, DOUBLE INLET BACKWARD INCLINED BLOWERS

| | |
|-------------|----|
| BIDI Series | 24 |
|-------------|----|

PLENUM FANS

| | |
|---------------|----|
| DPL Series | 25 |
| DPL-AF Series | 25 |

DIRECT DRIVE UTILITY BLOWERS

| | |
|-------------|----|
| D500 Series | 26 |
|-------------|----|

DIRECT DRIVE PRESSURE BLOWERS

| | |
|-----------|----|
| PW Series | 27 |
|-----------|----|

DIRECT DRIVE RADIAL BLADE BLOWERS

| | |
|-----------|----|
| KE Series | 28 |
|-----------|----|

DIRECT DRIVE FORWARD CURVED BLOWERS

| | |
|----------|----|
| D Series | 29 |
|----------|----|

BELT DRIVE UPBLAST SPUN ALUMINUM EXHAUSTERS

| | |
|-------------|----|
| SBRM Series | 30 |
|-------------|----|

DIRECT DRIVE UPBLAST SPUN ALUMINUM EXHAUSTERS

| | |
|-------------|----|
| SDUB Series | 31 |
|-------------|----|

BELT DRIVE DOWNBLAST SPUN ALUMINUM EXHAUSTERS

| | |
|-----------|----|
| SB Series | 32 |
|-----------|----|

DIRECT DRIVE DOWNBLAST SPUN ALUMINUM EXHAUSTERS

| | |
|-----------|----|
| SD Series | 33 |
|-----------|----|

ECONOMY MAKE UP AIR UNITS

| | |
|-------------------|----|
| SDS & EMUA Series | 34 |
|-------------------|----|

VARIABLE FREQUENCY DRIVES & SPEED CONTROLS

| | |
|-------------------|----|
| B, EL & MC Series | 35 |
|-------------------|----|

| | |
|----------|----|
| CONTACTS | 36 |
|----------|----|

| | |
|-----------------------|----|
| OTHER CANARM PRODUCTS | 37 |
|-----------------------|----|

200, 9200 & 9200-VIB SERIES

SINGLE & TWIN FORWARD CURVED INLINE DUCT BLOWERS

DELTA BLOWERS



Canarm certifies that the 200 & 9200 Series shown herein are licensed to bear the AMCA Seal. The ratings shown are based on tests and procedures performed in accordance with AMCA Publications 211 & 311 and comply with the requirements of the AMCA Certified Ratings Programme.



Intertek
705

GENERAL INFORMATION

- As part of an HVAC system Delhi Duct Blowers will not “surge”, “hunt”, or “stall”.
- The variable pitch motor pulley permits field adjustment (typically + or - 15%) to match air delivery needs.
- For the quietest operational needs we offer optional internal spring isolation of the blower/motor from the housing thus greatly reducing radiated cabinet noise.
- Our twins (two duct blowers on a common shaft) is a wide but not tall solution for situations where vertical space is limited.
- Quiet forward curved blowers operate at ½ the rpm of other inline solutions.
- An outdoor series, 9200, is available.

FEATURES

- **Wheel Diameters:** 7” through 20”
- **CFM:** Approximately 500 to 12,500 CFM in a single blower (Twins available).
- **Static Pressure:** Usage to about 3” static pressure is common, although allowable range is higher.
- Constructed from cold rolled steel, with green baked on powder coat. The outdoor unit uses protective galvaneal steel under the powder coat.
- Forward Curved blowers operate at low RPM for low noise levels.
- Heavy duty ball bearings suitable for -65° F to +250° F.
- Keywayed shafts both ends for clockwise or counter clockwise rotation.
- Saddle type motor mounting platform provides extended belt tension adjustment range on all models.

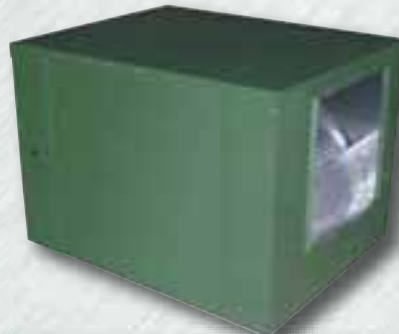
Twins Units (not illustrated) use a common shaft for balanced air supply by each blower.

INDUSTRIES SERVED

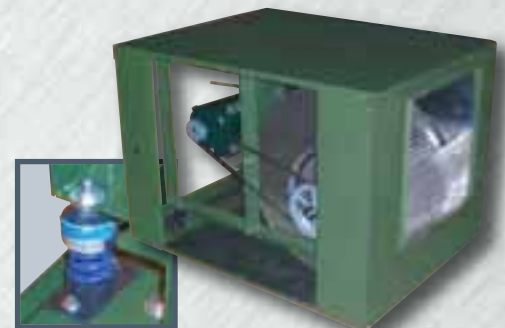
- Commercial HVAC
- Ventilation
- Heating
- Cooling
- Construction



200 SERIES
Indoor Applications,
Insulated or Non-Insulated



9200 SERIES
Heavy duty, Insulated Indoor
or Outdoor Applications



Optional motor, drive & platform shown.

9200-VIB SERIES
With Internal Spring
Vibration Isolation

PERFORMANCE SPECIFICATIONS

CFM values listed right are summarized for convenience. For full performance data refer to our Delair program.

Power rating (BHP) does not include transmission losses. Performance certified is for installation type B: Free inlet, Ducted outlet. Performance ratings do not include the effect of appurtenances (accessories).

| MODEL | TYPICAL MAXIMUM CFM @ SP | | | | | |
|------------|--------------------------|-------|-----------|-------|-----------|--------|
| | 1/2" SP | 1" SP | 1 1/2" SP | 2" SP | 2 1/2" SP | Max HP |
| 207 | 1400 | 1250 | 1100 | 900 | 700 | 3/4 |
| 209 | 1800 | 1600 | 1400 | 1100 | 800 | 3/4 |
| 9209 | 2400 | 2300 | 2100 | 1900 | 1700 | 1 1/2 |
| 210 | 2100 | 1800 | 1400 | 1000 | 700 | 1 1/2 |
| 9210 | 2900 | 2700 | 2500 | 2100 | 1700 | 1 1/2 |
| 212 | 3600 | 3200 | 2800 | 2300 | 1800 | 1 1/2 |
| 9212 | 4300 | 4300 | 4100 | 3800 | 3500 | 3 |
| 215 | 5700 | 5200 | 4600 | 4000 | 3400 | 3 |
| 9215 | 6200 | 6200 | 6200 | 5700 | 5200 | 5 |
| 218 & 9218 | 9000 | 8250 | 7500 | 6700 | 5750 | 5 |
| 9220 | 13000 | 13000 | 13000 | 13000 | 13000 | 15 |

TYPICAL APPLICATIONS FOR OUR INLINE BLOWERS

- An Inline make-up air solution for cases where a rooftop curb mounted solution is not available.
- As an air moving module for systems built up with other components such as heating/cooling coils.
- Noise sensitive areas - the low rpm forward curved wheel typically radiates less vibration than higher rpm backward inclined wheel solutions.
- When the application requires an air mover in a duct system located in a ceiling space.
- Redistribution or recirculation of air in a work space.
- Interlocked with entry doors to prevent entry of cold outdoor air into retail sales space and thus greets customers with warmth.
- Bathroom/ rest room exhaust - one duct blower serving multiple intakes.



IDB SERIES IN-LINE DUCT BLOWERS

FORWARD CURVED INLINE DUCT BLOWERS

GENERAL INFORMATION

- Use as part of an HVAC system.
- Durable galvanized, steel construction.
- Delhi blowers will not “surge”, “hunt” or “stall”.
- Ideal for indoor applications.
- The variable pitch motor pulley permits field adjustment (typically + or - 15%) to match air delivery needs.
- Quiet forward curved blowers operate at ½ the rpm of other inline solutions.



NOTE: For insulated or heavy duty applications, please reference our 200 and 9200 series literature.

FEATURES

- **Wheel Diameters:** 7” through 20”
- **CFM:** Approximately 500 to 12,500 CFM in a single blower.
- Constructed from galvanized steel for durability.
- Forward Curved blowers operate at low RPM for low noise levels.
- Heavy duty ball bearings suitable for -65° F to +250° F.
- Keywayed shafts both ends for clockwise or counter clockwise rotation.
- Saddle type motor mounting platform provides extended belt tension adjustment range on all models.



Canarm certifies that the IDB Series shown herein are licensed to bear the AMCA Seal. The ratings shown are based on tests and procedures performed in accordance with AMCA Publications 211 & 311 and comply with the requirements of the AMCA Certified Ratings Programme.



IDB SERIES
Indoor Applications, Non-Insulated

PERFORMANCE SPECIFICATIONS

CFM values listed right are summarized for convenience. For full performance data refer to our Delair program.

Power rating (BHP) does not include transmission losses. Performance certified is for installation type B: Free inlet, Ducted outlet. Performance ratings do not include the effect of appurtenances (accessories).

| TYPICAL MAXIMUM CFM @ SP | | | | | | |
|--------------------------|---------|-------|-----------|-------|-----------|--------|
| MODEL | 1/2" SP | 1" SP | 1 1/2" SP | 2" SP | 2 1/2" SP | Max HP |
| IDB07 | 1400 | 1250 | 1100 | 900 | 700 | 3/4 |
| IDB09 | 1800 | 1600 | 1400 | 1100 | 800 | 3/4 |
| IDB10 | 2100 | 1800 | 1400 | 1000 | 700 | 1 1/2 |
| IDB12 | 3600 | 3200 | 2800 | 2300 | 1800 | 1 1/2 |
| IDB15 | 5700 | 5200 | 4600 | 4000 | 3400 | 3 |
| IDB18 | 9000 | 8250 | 7500 | 6700 | 5750 | 5 |

*CONSULT OUR DELAIR SOFTWARE FOR FAN CURVES

TYPICAL APPLICATIONS FOR OUR INLINE BLOWERS

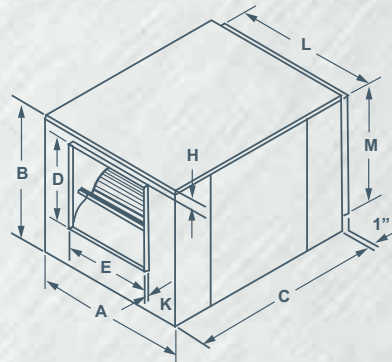
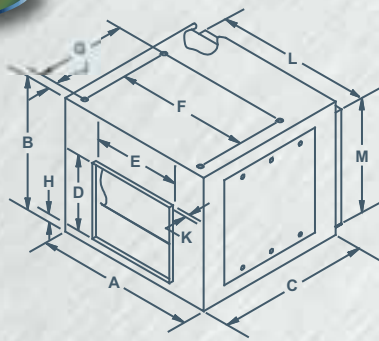
- An Inline make-up air solution for cases where a rooftop curb mounted solution is not available.
- As an air moving module for systems built up with other components such as heating/cooling coils.
- Noise sensitive areas - the low rpm forward curved wheel typically radiates less vibration than higher rpm backward inclined wheel solutions.
- When the application requires an air mover in a duct system located in a ceiling space.
- Redistribution or recirculation of air in a work space.
- Interlocked with entry doors to prevent entry of cold outdoor air into retail sales space and thus greets customers with warmth.
- Bathroom/ rest room exhaust - one duct blower serving multiple intakes.

INDUSTRIES SERVED

- Commercial HVAC
- Ventilation
- Heating
- Cooling
- Construction



DIMENSIONS



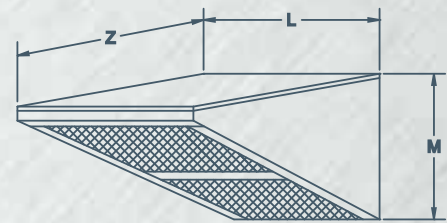
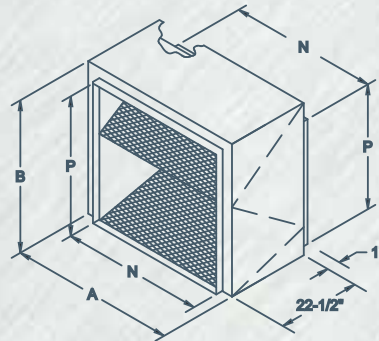
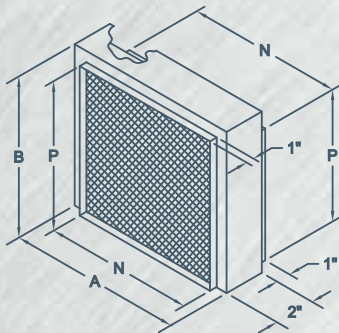
| MODEL | A | B | C | OUTLET | | | | | | INLET | | SHAFT DIAMETER | UNIT WEIGHT (LBS) (without motor) | |
|-------|---------|---------|---------|----------|-----------|---------|---------|--------|--------|--------|---------|----------------|-----------------------------------|-----|
| | | | | D | E | F | G | H | J | K | L | | | M |
| 207 | 18" | 15.375" | 23" | 8 1/4" | 9 3/16" | 14 1/2" | 9 5/8" | 1 1/4" | 1 1/4" | 7/8" | 15 7/8" | 13 3/8" | 3/4" | 43 |
| 209 | 21" | 18" | 23" | 10 1/4" | 11 13/16" | 17 1/2" | 11 3/4" | 1 1/4" | 1 3/4" | 7/8" | 19" | 16" | 3/4" | 55 |
| 210 | 22.25" | 20" | 24 3/4" | 11 3/8" | 13 1/8" | 18 3/4" | 13 3/8" | 1 1/4" | 1 3/4" | 7/8" | 20 1/4" | 18" | 3/4" | 65 |
| 212 | 27" | 23" | 27 1/2" | 13 7/16" | 15 5/8" | 23 1/2" | 16 1/8" | 1 1/4" | 1 3/4" | 7/8" | 25" | 21" | 3/4" | 82 |
| 215 | 33.5" | 28" | 32" | 15 7/8" | 18 5/8" | 28" | 19 1/2" | 2 5/8" | 1 3/4" | 7/8" | 30 1/2" | 25" | 1" | 140 |
| 218 | 41.5" | 34" | 44" | 19 5/8" | 22 5/8" | 35" | 24" | 2 3/4" | 1 3/4" | 1 1/8" | 35 3/8" | 31 5/8" | 1" | 158 |
| 9209 | 21" | 18" | 23" | 11 1/4" | 12 3/4" | N/A | N/A | 1" | N/A | 1 1/8" | 19" | 16" | 3/4" | 61 |
| 9210 | 22 1/4" | 20" | 24 3/4" | 12 3/8" | 14 1/8" | N/A | N/A | 1" | N/A | 1 1/8" | 20 1/4" | 18" | 3/4" | 70 |
| 9212 | 30 1/8" | 24 3/4" | 34" | 14 1/2" | 16 5/8" | N/A | N/A | 2 1/8" | N/A | 1 1/8" | 25 1/8" | 21 1/8" | 1" | 143 |
| 9215 | 33 3/4" | 28 5/8" | 38 1/8" | 17" | 19 5/8" | N/A | N/A | 2 1/8" | N/A | 1 1/8" | 30 5/8" | 25 1/4" | 1" | 176 |
| 9218 | 41 1/2" | 34" | 44" | 19 5/8" | 22 5/8" | N/A | N/A | 2 3/4" | N/A | 1 1/8" | 35 3/8" | 31 5/8" | 1" | 323 |
| 9220 | 44 3/4" | 41 1/8" | 57 1/2" | 25 3/4" | 25 3/4" | N/A | N/A | 3" | N/A | 1 1/8" | 38 3/8" | 35 1/8" | 1 7/16" | 515 |

ACCESSORIES

- Filter sections
- Intake Hoods
- External Vibration Isolators
- Hot Water Coils
- Chilled Water Coils

FILTER SECTIONS & INTAKE HOODS

SERIES F200A, F9220A & H9200



F200A FILTER SECTION
For 200 & 9200 Series Duct Blowers

F9220A FILTER SECTION
For Model 9220 Duct Blowers

H9200 INTAKE HOOD
For 9200 Series Duct Blowers

| MODEL | A | B | N | P | FILTER | | UNIT WEIGHT (LBS) |
|--------|---------|---------|---------|---------|-------------------|----------|-------------------|
| | | | | | SIZE | QUANTITY | |
| F207A | 17 3/4" | 15 3/8" | 16" | 13 1/2" | 14 1/8" X 16 5/8" | 1 | 11 |
| F209A | 21" | 18" | 19 1/8" | 16 1/8" | 16 3/4" X 19 7/8" | 1 | 12 |
| F210A | 22 1/4" | 20" | 20 3/8" | 18 1/8" | 18 3/4" X 21 1/8" | 1 | 14 |
| F212A | 27" | 23" | 25 1/8" | 21 1/8" | 21 3/4" X 25 7/8" | 1 | 16 |
| F215A | 32 1/2" | 26 3/4" | 30 5/8" | 25 1/8" | 25 3/4" X 31" | 1 | 21 |
| F218A | 37" | 33 1/4" | 35 1/4" | 31 1/2" | 32 1/4" X 35 7/8" | 1 | 46 |
| F9220A | 39 3/4" | 37 1/4" | 38 1/2" | 35 1/4" | 20" X 25" | 6 | 64 |

| MODEL | L | M | Z | FILTER | | UNIT WEIGHT (LBS) |
|-------|----------|-----------|---------|------------------------------------|----------|-------------------|
| | | | | SIZE | QUANTITY | |
| H9209 | 19 1/4" | 16 9/16" | 21 1/4" | 16" X 24" | 1 | 14 |
| H9210 | 20 1/2" | 18 9/16" | 25 3/4" | 15" X 20" | 2 | 16 |
| H9212 | 25 3/8" | 21 9/16" | 30 3/4" | 20" X 25 & 16" X 25" | 2 | 27 |
| H9215 | 31 3/16" | 25 13/16" | 33 1/2" | 20" X 28 1/2" | 2 | 38 |
| H9218 | 35 5/8" | 32 11/16" | 40 1/4" | 20" X 25 (2) & 16" X 25" | 3 | 50 |
| H9220 | 38 5/8" | 35 9/16" | 22" | FILTERS NOT INCLUDED USE F9220A | | 40 |



GREEN SERIES 200DD & 9200DD

DELTA BLOWERS

FORWARD CURVED INLINE SERIES DUCT BLOWERS



200DD SERIES
Indoor Applications,
Insulated or Non-Insulated



9200DD SERIES
Heavy duty, Insulated Indoor
or Outdoor Applications



FEATURES

- High efficiency direct drive motor for energy efficient, low maintenance applications.
- Forward curved blowers operate at low RPM for low noise levels.
- Attractive green baked on powder coat finish.

PERFORMANCE SPECIFICATIONS

| GREEN SERIES DATA 209DD 9209DD | | | | |
|--------------------------------|-------------|-------------|-------------|-------------|
| CFM | 0"SP | 0.25" | 0.5" | 0.75" |
| 700 | | | 1/2-L | |
| 800 | | 1/2-L | | |
| 900 | 1/2-L | | | |
| 1000 | | | 3/4-L | |
| 1100 | | 3/4-L | | |
| 1200 | 3/4-L | | 1-L | 1/2-ML |
| 1300 | | 1-L | 1/2-ML | 1/2-M |
| 1400 | 1-L | 1/2-ML | 1/2-M | 1/2-MH |
| 1500 | 1/2-ML | 1/2-M | 1/2-MH | 1/2-H |
| 1600 | 1/2-M | 1/2-MH | 1/2-H | 3/4-ML |
| 1700 | 1/2-MH | 1/2-H | 3/4-ML | 3/4-M/1-M |
| 1800 | 1/2-H | 3/4-ML | 3/4-M | 3/4-MH/1-ML |
| 1900 | 3/4-ML | 3/4-M | 3/4-MH/1-ML | 3/4-H/1-H |
| 2000 | 3/4-M | 3/4-MH/1-ML | 3/4-H | |
| 2100 | 3/4-MH/1-ML | 3/4-H | 1-MH/1-M | |
| 2200 | 3/4-H | 1-M | 1-H | |
| 2300 | 1-M | 1-MH | | |
| 2400 | 1-MH | 1-H | | |
| 2500 | 1-H | | | |
| 2600 | | | | |

| GREEN SERIES DATA 210DD 9210DD | | | | | | |
|--------------------------------|-------------|-------------|-------------|-------------|-------------|-------------|
| CFM | 0"SP | 0.25" | 0.5" | 0.75" | 1" | 1.25" |
| 700 | | | 1/2-L | | 3/4-L | |
| 800 | | 1/2-L | | 3/4-L | | |
| 900 | 1/2-L | | | | 1-L | |
| 1000 | | | 3/4-L | | | |
| 1100 | | 3/4-L | | | | |
| 1200 | 3/4-L | | 1-L | 1/2-ML | 1/2-ML | 1/2-ML |
| 1300 | | 1-L | 1/2-ML | 1/2-M | 1/2-M | 1/2-M |
| 1400 | 1-L | 1/2-ML | 1/2-M | 1/2-MH | 1/2-MH | 1/2-MH |
| 1500 | 1/2-ML | 1/2-M | 1/2-MH | 1/2-H | 1/2-H | 1/2-H |
| 1600 | 1/2-M | 1/2-MH | 1/2-H | 3/4-ML | 3/4-ML | 3/4-ML |
| 1700 | 1/2-MH | 1/2-H | 3/4-ML | 3/4-M/1-M | 3/4-M/1-M | 3/4-M/1-M |
| 1800 | 1/2-H | 3/4-ML | 3/4-M | 3/4-MH/1-MH | 3/4-MH/1-MH | 3/4-MH/1-MH |
| 1900 | 3/4-ML | 3/4-M | 3/4-MH/1-ML | 3/4-H/1-H | 3/4-H/1-H | 3/4-H/1-H |
| 2000 | 3/4-M | 3/4-MH/1-ML | 3/4-H | | | |
| 2100 | 3/4-MH/1-ML | 3/4-H | 1-MH/1-M | | | |
| 2200 | 3/4-H | 1-M | 1-H | | | |
| 2300 | 1-M | 1-MH | | | | |
| 2400 | 1-MH | 1-H | | | | |
| 2500 | 1-H | | | | | |
| 2600 | | | | | | |

| GREEN SERIES DATA 212DD 9212DD | | | | | | | | |
|--------------------------------|------------|--------|------------|------------|-------------|------------|-----------|-------|
| CFM | 0"SP | 0.25" | 0.5" | 0.75" | 1" | 1.25" | 1.5" | 1.75" |
| 500 | | | 1/2-L | 3/4-L | 1-L | | | |
| 800 | | 1/2-L | 3/4-L | 1-L | 1/2-ML | | | |
| 1000 | 1/2-L | | | | 1/2-M | | | |
| 1100 | | 3/4-L | 1-L | 1/2-ML | | | | |
| 1200 | | | | | 1/2-MH | | | |
| 1300 | 3/4-L | 1-L | | 1/2-M | | | 1-ML | |
| 1400 | | | 1/2-ML | 1/2-MH | 1/2-H | | | |
| 1500 | | 1/2-ML | 1/2-M | | | | | |
| 1600 | 1/2-ML/1-L | 1/2-M | 1/2-MH | 1/2-H | 3/4 ML | 3/4-M/1-ML | | |
| 1700 | 1/2-M | 1/2-MH | 1/2-H | 3/4-ML | 3/4-M | 3/4-MH | 3/4-H/1-M | 1-MH |
| 1800 | 1/2-MH | 1/2-H | 3/4-ML | 3/4-M | 3/4-MH/1-ML | 3/4-H/1-M | | |
| 1900 | 1/2-H | 3/4-ML | 3/4-M | 3/4-MH | 3/4-H | | 1-MH | 1-H |
| 2000 | 3/4-ML | 3/4-M | 3/4-MH | 3/4-H/1-ML | 1-M | 1-MH | 1-H | |
| 2100 | 3/4-M | 3/4-ML | 3/4-H/1-ML | | 1-ML | | | |
| 2200 | 3/4-MH | 3/4-H | | 1-M | | 1-H | | |
| 2300 | 3/4-H | 1-ML | 1-M | 1-MH | 1-H | | | |
| 2400 | 1-ML | | 1-MH | | | | | |
| 2500 | | 1-M | | 1-H | | | | |
| 2600 | 1-M | 1-MH | 1-H | | | | | |
| 2700 | 1-MH | 1-H | | | | | | |
| 2800 | 1-H | | | | | | | |
| 2900 | | | | | | | | |

Chart cells reference Motor HP and Motor Speed for performance (motor to be wired accordingly).

- H - High
- MH - Medium High
- M - Medium
- ML - Medium Low
- L - Low

Performance tested in accordance to AMCA STD 210-85.

Operating at Static Pressure ratings above listed data is not recommended.

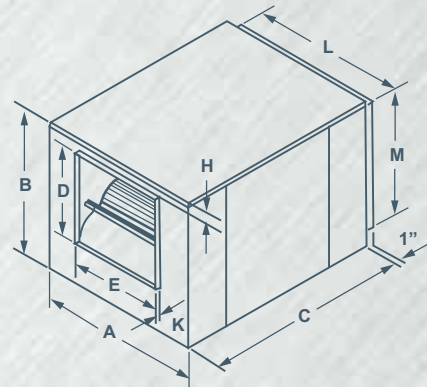
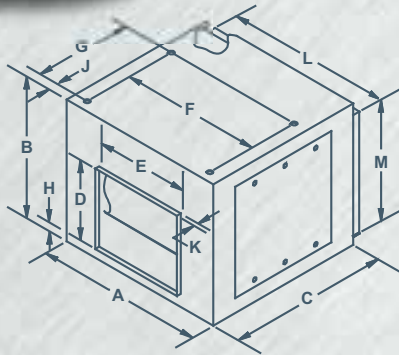
Performance drops off drastically and surging may occur.

Performance limited to green highlighted areas of the charts. Do not select yellow areas.

Motor HP's of 1/2, 3/4 and 1 are available in 115 Volt and 230 Volt in Single Phase ONLY.



DIMENSIONS



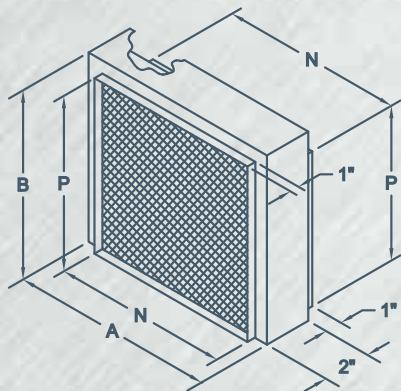
| MODEL | A | B | C | OUTLET | | F | G | H | J | K | INLET | | SHAFT DIAMETER | UNIT WEIGHT (LBS) (without motor) |
|--------|---------|---------|---------|----------|-----------|---------|---------|--------|--------|--------|---------|---------|----------------|-----------------------------------|
| | | | | D | E | | | | | | L | M | | |
| 209DD | 21" | 18" | 23" | 10 1/4" | 11 13/16" | 17 1/2" | 11 3/4" | 1 1/4" | 1 3/4" | 7/8" | 19" | 16" | 3/4" | 55 |
| 210DD | 22.25" | 20" | 24 3/4" | 11 3/8" | 13 1/8" | 18 3/4" | 13 3/8" | 1 1/4" | 1 3/4" | 7/8" | 20 1/4" | 18" | 3/4" | 65 |
| 212DD | 27" | 23" | 27 1/2" | 13 7/16" | 15 5/8" | 23 1/2" | 16 1/8" | 1 1/4" | 1 3/4" | 7/8" | 25" | 21" | 3/4" | 82 |
| 9209DD | 21" | 18" | 23" | 11 1/4" | 12 3/4" | N/A | N/A | 1" | N/A | 1 1/8" | 19" | 16" | 3/4" | 61 |
| 9210DD | 22 1/4" | 20" | 24 3/4" | 12 3/8" | 14 1/8" | N/A | N/A | 1" | N/A | 1 1/8" | 20 1/4" | 18" | 3/4" | 70 |
| 9212DD | 30 1/8" | 24 3/4" | 34" | 14 1/2" | 16 5/8" | N/A | N/A | 2 1/8" | N/A | 1 1/8" | 25 1/8" | 21 1/8" | 1" | 143 |

ACCESSORIES

- Filter sections
- Intake Hoods
- Vibration Isolators
- Back Draft Dampers

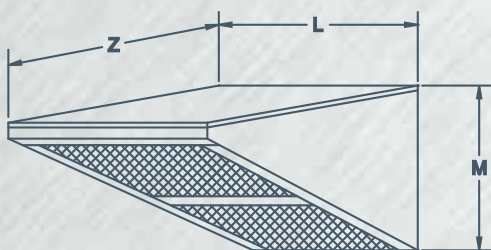
FILTER SECTIONS & INTAKE HOODS

SERIES F200A, F9220A & H9200



F200A FILTER SECTION
For 200DD & 9200DD Series Duct Blowers

| MODEL | A | B | N | P | FILTER | | UNIT WEIGHT (LBS) |
|-------|---------|-----|---------|---------|-------------------|----------|-------------------|
| | | | | | SIZE | QUANTITY | |
| F209A | 21" | 18" | 19 1/8" | 16 1/8" | 16 3/4" X 19 7/8" | 1 | 12 |
| F210A | 22 1/4" | 20" | 20 3/8" | 18 1/8" | 18 3/4" X 21 1/8" | 1 | 14 |
| F212A | 27" | 23" | 25 1/8" | 21 1/8" | 21 3/4" X 25 7/8" | 1 | 16 |



H9200 INTAKE HOOD
For 9200DD Series Duct Blowers

| MODEL | L | M | Z | FILTER | | UNIT WEIGHT (LBS) |
|-------|---------|----------|---------|-----------------------|----------|-------------------|
| | | | | SIZE | QUANTITY | |
| H9209 | 19 1/4" | 16 9/16" | 21 1/4" | 16" X 24" | 1 | 14 |
| H9210 | 20 1/2" | 18 9/16" | 25 3/4" | 15" X 20" | 2 | 16 |
| H9212 | 25 3/8" | 21 9/16" | 30 3/4" | 20" X 25" & 16" X 25" | 2 | 27 |

PERFORMANCE GREEN DIRECT DRIVE SERIES

DELHI BLOWERS

ENERGY EFFICIENT DIRECT DRIVE CABINET BLOWERS



FEATURES

HIGH EFFICIENCY DIRECT DRIVE MOTOR

Up to 84% vs 65% efficient for standard PSC direct drive motors providing significant energy savings.

NO PROGRAMMING REQUIRED

Unlike most Electronically Controlled motors, the Performance Green Direct Drive Series requires no programming and is wired the same as a standard PSC direct drive motor.

ACTIVE PRESSURE COMPENSATION

The Performance Green Direct Drive Series utilizes advanced technology that adjusts the motor speed to compensate for changes in static pressure, helping to maintain CFM.

OPTIMUM PERFORMANCE

In addition to the energy savings, the Performance Green design utilizes technology that far exceeds any performance ranges previously available with standard direct drive blowers.

The technology permits performance at low static pressure without overload, a capability not available with PSC direct drive motors.

STANDARD CABINET DIMENSION

The technology and design inside the cabinet is what makes it unique. The cabinet sizes are the same as the belt drive Delhi Blower products to allow you to easily replace older units in retrofit and upgrading



The coloured lines correspond with the motor wire colours which yield different performance.

The steep lines indicate you will likely get the desired CFM even if the system static pressure is not as expected.

With the new Performance Green direct drives, overload is unlikely when static pressure is low.



HC & CW SERIES



HEATING & COOLING COILS

HC SERIES Hot Water Heating Coils



2 Row Coil
Horizontal or Vertical Installation

CW SERIES Chilled Water Cooling Coils with built in Condensate pan



4 Row Coil
Sloped Drain Pan for
Positive Condensate Removal

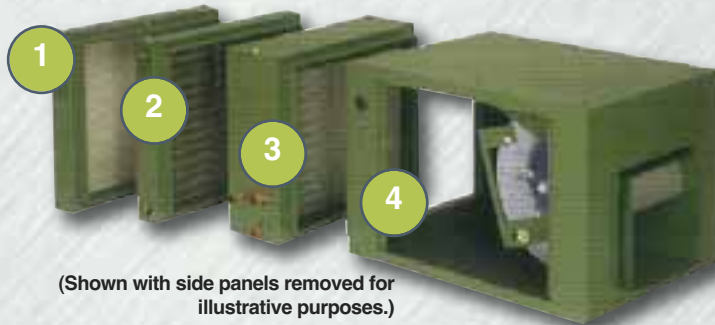
FEATURES

- Designed for use with matching Canarm 200 or 9200 Series Duct Blower and Filter Section.
- Modular concept provides the flexibility and convenience of assembling readily available components into a system to meet custom heating and cooling requirements.
- Lead free construction - Safe for use with potable water systems.
- Attractive green baked powder coat cabinet finish.
- Convenient for both new or renovation installations.
- Aluminum finish on copper tube construction.
- Suitable for remote installation in duct.

All coils are sized to mount to the inlet of the corresponding sized duct blower or coil and filter section as illustrated in the modular set up.

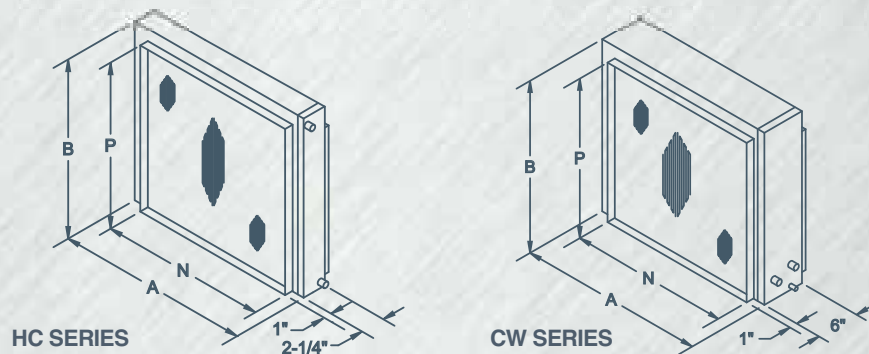
Typical System comprised of Filter section, Heating Coil & Duct Blower)

- 1 - F210 Filter Section
- 2 - HC-10 Hot Water Coil
- 3 - CW-10 Cooling Coil
- 4 - 210 Duct Blower



| MATCHING COIL SECTIONS | | | | |
|------------------------|--------------|--------------------|--------|-------------|
| DUCT BLOWER | HEATING COIL | CHILLED WATER COIL | FILTER | INTAKE HOOD |
| 207 | HC-07 | CW-07 | F207A | N/A |
| 209 OR 9209 | HC-09 | CW-09 | F209A | H9209 |
| 210 OR 9210 | HC-10 | CW-10 | F210A | H9210 |
| 212 OR 9212 | HC-12 | CW-12 | F212A | H9212 |
| 215 OR 9215 | HC-15 | CW-15 | F215A | H9215 |

DIMENSIONS



| MODEL | HC-CW COILS | | | | | HC COILS | | | CW COILS | | |
|---------------|-------------|-------------|---------|---------|---------|----------|--------|-------------------|----------|--------|-------------------|
| | A (HC) | A (CW & DX) | B | N | P | INLET | OUTLET | UNIT WEIGHT (LBS) | INLET | OUTLET | UNIT WEIGHT (LBS) |
| HC-07 & CW-07 | 17 3/4" | 17 3/4" | 15 3/8" | 16" | 13 1/2" | 5/8" | 5/8" | 10 | 5/8" | 5/8" | 22 |
| HC-09 & CW-09 | 21" | 21" | 18" | 19 1/8" | 16 1/8" | 5/8" | 5/8" | 14 | 7/8" | 7/8" | 29 |
| HC-10 & CW-10 | 22 1/4" | 22 1/4" | 20" | 20 3/8" | 18 1/8" | 5/8" | 5/8" | 17 | 7/8" | 7/8" | 36 |
| HC-12 & CW-12 | 27" | 27" | 23" | 25 1/8" | 21 1/8" | 3/4" | 3/4" | 23 | 7/8" | 7/8" | 42 |
| HC-15 & CW-15 | 32 1/2" | 33 1/2" | 26 3/4" | 30 5/8" | 25 1/8" | 3/4" | 3/4" | 32 | 7/8" | 7/8" | 61 |

DRAIN IS 5/8" IN -OD



FC EXHAUSTER BELT DRIVE UTILITY BLOWER



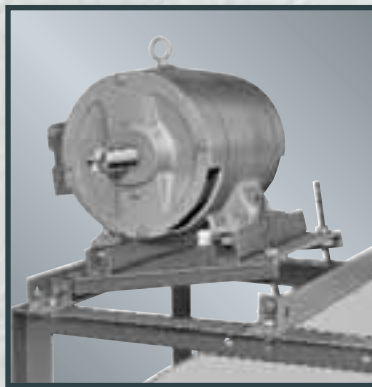
FEATURES

- Universal frame allows for choice of discharge position.
- Multiple choice for motor mounting location with each discharge position.
- Motor mounting hardware supplied with models 407 to 418.
Optional platform for models 420 to 425.
- Keywayed shafts
- Spider bearing brackets for models 407 - 418, Pillow block bearings with T bar support for models 420, 422 & 425.
- Ball bearings suitable for -65° to + 250° F.
- Optional back draft dampers, inlet & outlet screens and belt guards.
- Shafts 420, 422 & 425 models are keywayed for wheels and pulleys (407 to 418 models for pulleys only).

PERFORMANCE SPECIFICATIONS

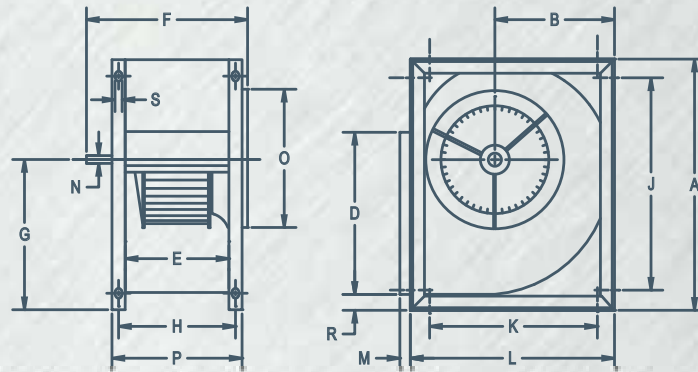
| TYPICAL MAXIMUM CFM @ SP | | | | | | |
|--------------------------|---------|-------|-----------|-------|-----------|--------|
| MODEL | 1/2" SP | 1" SP | 1 1/2" SP | 2" SP | 2 1/2" SP | Max HP |
| 407 | 1000 | 900 | 800 | 700 | 500 | 1 |
| 409 | 2100 | 2000 | 1900 | 1850 | 1750 | 2 |
| 410 | 2600 | 2400 | 2300 | 2150 | 2050 | 2 |
| 412 | 3250 | 3000 | 2850 | 2700 | 2600 | 2 |
| 415 | 5260 | 4850 | 4500 | 4150 | 3550 | 3 |
| 418 | 6700 | 6300 | 5950 | 5550 | 5200 | 5 |
| 420 | 9300 | 8850 | 8500 | 8000 | 7700 | 7 1/2 |
| 422 | 10300 | 9750 | 9200 | 8600 | 8000 | 7 1/2 |
| 425 | 14300 | 13400 | 12550 | 11850 | 11400 | 10 |

Power rating (BHP) does not include transmission losses. Performance certified is for installation type B: Free inlet, Ducted outlet. Performance ratings do not include the effect of appurtenances (accessories).



Optional 1 to 15 HP Motor Platform for Models 420, 422 & 425

DIMENSIONS



| MODEL | A | B | D | E | F | G | H | J | K | L | M | N | O | P | R | S | WHEEL DIAMETER | WHEEL WIDTH | UNIT WEIGHT (LBS) (without motor) |
|-------|---------|-----------|---------|---------|-----------|----------|----------|-----------|-----------|---------|--------|---------|---------|----------|--------|-------|----------------|-------------|-----------------------------------|
| 407 | 14 1/4" | 6 1/2" | 8 3/8" | 6 7/8" | 11 5/8" | 8 5/8" | 8" | 11 1/16" | 8 7/8" | 11 3/4" | 3/4" | 3/4" | 9" | 9" | 1 1/2" | 7/16" | 8 1/26" | 4 15/16" | 16 |
| 409 | 17 1/4" | 7 15/16" | 10 1/4" | 9 3/16" | 13 15/16" | 10 1/8" | 10 5/16" | 14 5/8" | 11 3/4" | 14 1/2" | 3/4" | 3/4" | 10" | 11 5/16" | 1 1/2" | 7/16" | 9 13/16" | 7 3/16" | 23 |
| 410 | 19 1/8" | 9" | 11 3/8" | 9 3/16" | 13 15/16" | 11 1/4" | 10 5/16" | 16 1/4" | 13 1/2" | 16 1/4" | 3/4" | 3/4" | 12" | 11 5/16" | 1 1/2" | 7/16" | 11 1/8" | 7 3/16" | 26 |
| 412 | 22 1/4" | 10 9/16" | 13 1/2" | 9 3/16" | 13 15/16" | 13" | 10 5/16" | 19 5/8" | 16 1/4" | 19" | 3/4" | 3/4" | 14" | 11 5/16" | 1 1/2" | 7/16" | 12 7/8" | 7 3/16" | 30 |
| 415 | 29 3/4" | 14 3/4" | 17" | 12 1/2" | 17 3/8" | 18 1/8" | 13 3/4" | 27 1/4" | 22 5/8" | 25 1/4" | 3/4" | 1" | 17" | 14 3/4" | 1 1/2" | 7/16" | 15 1/2" | 9 9/16" | 56 |
| 418 | 30 3/4" | 14 15/16" | 18 7/8" | 14" | 20 3/8" | 17 3/4" | 15 5/8" | 28 1/2" | 24" | 26 1/2" | 3/4" | 1" | 18" | 17 1/4" | 1 1/2" | 7/16" | 18 1/2" | 10 13/16" | 87 |
| 420 | 38" | 18 5/16" | 24 3/4" | 15 3/4" | 24 1/4" | 22 9/16" | 17 1/4" | 32 7/16" | 25 7/16" | 31 1/4" | 1 1/2" | 1 3/16" | 21" | 19 3/4" | 2" | 5/8" | 20 7/16" | 10 1/4" | 189 |
| 422 | 41 1/2" | 20 1/16" | 27 1/4" | 17 1/8" | 25 5/8" | 24 5/8" | 18 5/8" | 35 31/32" | 28 15/32" | 34 1/4" | 1 1/2" | 1 3/16" | 22 1/2" | 21 1/8" | 2" | 5/8" | 22 1/8" | 11 1/4" | 214 |
| 425 | 46 3/4" | 22 5/8" | 31 1/4" | 19 5/8" | 28 1/2" | 27 3/4" | 21 1/8" | 41 7/32" | 32 17/32" | 38 3/8" | 1 1/2" | 1 3/16" | 26 3/4" | 23 5/8" | 2" | 5/8" | 25 1/4" | 13" | 252 |

ACCESSORIES

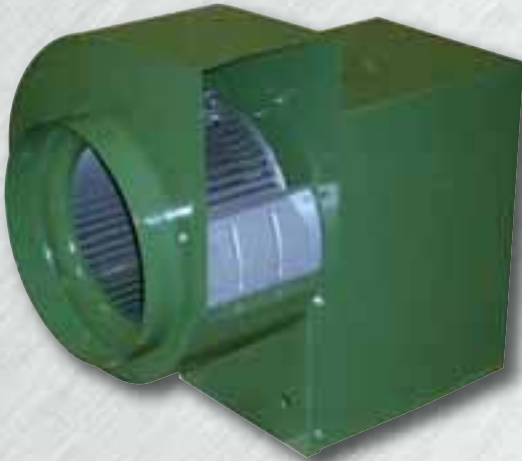
- Back Draft Dampers
- Inlet & Outlet Screens
- Corrosion Resistant Finishes
- Vibration Isolation
- Belt Guard

For more information on Accessories, see page 19.



600 SERIES

FC EXHAUSTER BELT DRIVE UTILITY BLOWER



FEATURES

- Standard, vented motor and drive compartment cover with handles for safety and weather protection.
- Sliding motor base for belt tension adjustment.
- Standard top horizontal discharge position can be easily rotated to any of 8 positions.
- Keywayed shaft.
- Outlet flanges on models 620, 622 & 625.
- Available in CW or CCW rotation.
- Shafts for 620, 622 & 625 models are keywayed for wheels and pulleys (610 to 618 models for pulleys only).
- Heavy duty pillow block ball bearings.

PERFORMANCE SPECIFICATIONS

| TYPICAL MAXIMUM CFM @ SP | | | | | | |
|--------------------------|---------|-------|-----------|-------|-----------|--------|
| MODEL | 1/2" SP | 1" SP | 1 1/2" SP | 2" SP | 2 1/2" SP | Max HP |
| 610 | 2600 | 2400 | 2300 | 2150 | 2050 | 2 |
| 612 | 3250 | 3000 | 2850 | 2700 | 2600 | 2 |
| 615 | 5260 | 4850 | 4500 | 4150 | 3550 | 3 |
| 618 | 6700 | 6300 | 5950 | 5550 | 5200 | 5 |
| 620 | 9300 | 8850 | 8500 | 8000 | 7700 | 7 1/2 |
| 622 | 10300 | 9750 | 9200 | 8600 | 8000 | 7 1/2 |
| 625 | 14300 | 13400 | 12550 | 11850 | 11400 | 10 |

Power rating (BHP) does not include transmission losses. Performance certified is for installation type B: Free inlet, Ducted outlet. Performance ratings do not include the effect of appurtenances (accessories).



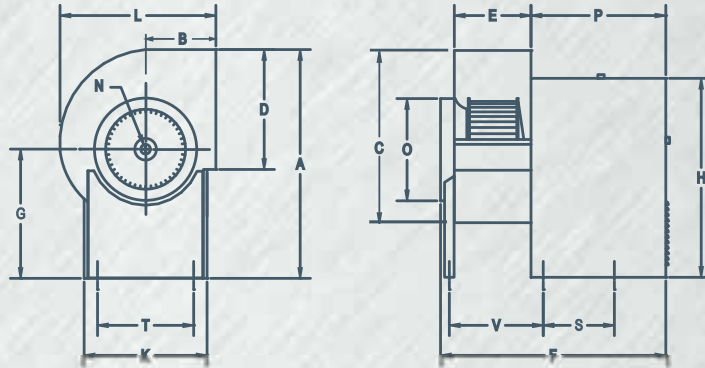
Motor and drive compartment with cover removed to illustrate 3 side motor access and sloped motor base for belt tensioning.



Canarm certifies that the 600 Series shown herein are licensed to bear the AMCA Seal. The ratings shown are based on tests and procedures performed in accordance with AMCA Publications 211 and comply with the requirements of the AMCA Certified Ratings Programme.



DIMENSIONS



| MODEL | A | B | C | D | E | F | G | H | K | L | N | O | P | S | T | V | WHEEL DIAMETER | WHEEL WIDTH | UNIT WEIGHT (LBS) (without motor) |
|-------|-----------|-----------|----------|----------|---------|-----------|----------|----------|----------|-----------|---------|---------|-----------|---------|-----------|---------|----------------|-------------|--------------------------------------|
| 610 | 24 13/16" | 8" | 17 7/16" | 11 3/8" | 9 3/16" | 28 9/16" | 15 1/16" | 21 5/16" | 13 3/16" | 16 3/4" | 3/4" | 12" | 17 1/4" | 11 3/4" | 11 7/16" | -- | 11 1/8" | 7 3/16" | 57 |
| 612 | 26 9/16" | 9 1/8" | 20 1/4" | 13 7/16" | 9 3/16" | 28 9/16" | 15 1/16" | 21 5/16" | 13 3/16" | 19 1/2" | 3/4" | 14" | 17 1/4" | 11 3/4" | 11 7/16" | -- | 12 7/8" | 7 3/16" | 60 |
| 615 | 36 3/4" | 11 1/4" | 28 1/16" | 17" | 12 1/2" | 35 7/8" | 20 1/16" | 29 1/8" | 16 9/16" | 25 15/16" | 1" | 17" | 21 1/8" | 11 1/2" | 14 11/16" | 15 5/8" | 15 1/2" | 9 9/16" | 124 |
| 618 | 36 5/16" | 12 3/8" | 28 7/8" | 18 7/8" | 14" | 37 3/8" | 20 1/16" | 29 1/8" | 16 9/16" | 27" | 1" | 18" | 21 1/8" | 11 1/2" | 14 11/16" | 17 1/8" | 18 1/2" | 10 13/16" | 144 |
| 620 | 48 9/16" | 14 7/16" | 35 3/4" | 24 3/4" | 15 3/4" | 46 7/16" | 28" | 40 7/8" | 25 1/4" | 32 7/16" | 1 3/16" | 21" | 27 11/16" | 14 5/8" | 22 1/2" | 18 7/8" | 20 7/16" | 10 1/4" | 278 |
| 622 | 50 9/16" | 15 11/16" | 39 3/8" | 27 1/4" | 17 1/8" | 47 13/16" | 28" | 40 7/8" | 25 1/4" | 35 1/2" | 1 3/16" | 22 1/2" | 27 11/16" | 14 5/8" | 22 1/2" | 20 1/4" | 22 1/8" | 11 1/4" | 296 |
| 625 | 53 11/16" | 17 1/4" | 44 3/8" | 31 1/4" | 19 5/8" | 50 5/16" | 28" | 40 7/8" | 25 1/4" | 39 5/8" | 1 3/16" | 26 3/4" | 27 11/16" | 14 5/8" | 22 1/2" | 22 3/4" | 25 1/4" | 13" | 329 |

ACCESSORIES

- Back Draft Dampers
- Inlet & Outlet Screens
- Corrosion Resistant Finishes
- Bolted Clean Out Door
- Heat Slinger
- 2" Drain Fitting
- Shaft Seal (vinyl or polyethylene)
- Vibration Isolation





FEATURES

- Available in 10" to 27" sizes.
- Heavy duty, non-overloading backward inclined wheel.
- Pivoted motor mounting base for convenient belt tension adjustment.
- Air handler pillow block bearings mounted on rigid angle iron frame.
- Leak proof access panels with gasket.
- Angle iron mounting lugs can be relocated for base or suspension mounting or positioning motor on the top, side or bottom of blower.
- For side discharge simply re-locate the side panel to the normal discharge opening.
- Motor cover supplied.
- Junction box.



PERFORMANCE SPECIFICATIONS

| TYPICAL MAXIMUM CFM @ SP | | | | | |
|--------------------------|---------|-------|-----------|-------|--------|
| MODEL | 1/2" SP | 1" SP | 1 1/2" SP | 2" SP | Max HP |
| DSQ-B-10 | 1700 | 1500 | 1300 | 1100 | 1 |
| DSQ-B-12 | 2700 | 2400 | 2100 | 1900 | 1 1/2 |
| DSQ-B-13 | 3100 | 2800 | 2400 | 2000 | 1 1/2 |
| DSQ-B-15 | 4000 | 3600 | 3200 | 2600 | 2 |
| DSQ-B-16 | 5400 | 5000 | 4600 | 4000 | 3 |
| DSQ-B-18 | 6000 | 5600 | 5000 | 4400 | 3 |
| DSQ-B-20 | 7200 | 6400 | 5600 | 4600 | 3 |
| DSQ-B-22 | 9500 | 9000 | 8300 | 7500 | 5 |
| DSQ-B-24 | 12500 | 12000 | 11200 | 10500 | 7 1/2 |
| DSQ-B-27 | 14500 | 13500 | 12500 | 11000 | 7 1/2 |

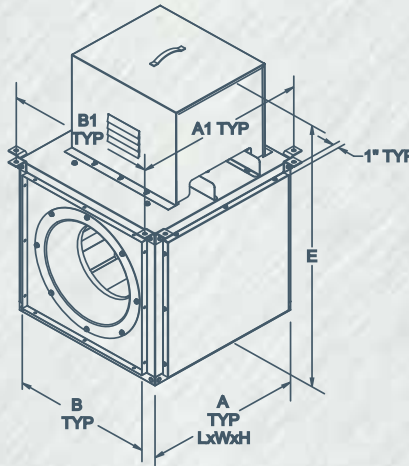


Canarm certifies that the DSQ-B Series shown herein are licensed to bear the AMCA Seal. The ratings shown are based on tests and procedures performed in accordance with AMCA Publications 211 & 311 and comply with the requirements of the AMCA Certified Ratings Programme.

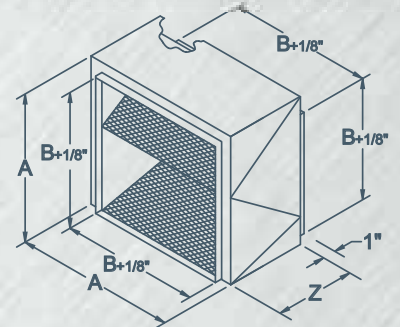
Power rating (BHP) does not include transmission losses. Performance certified is for installation type B - Free inlet, Ducted Outlet. Performance ratings do not include the effects of appurtenances (accessories).



Unit with motor cover removed.



Filter Resistance =
Filter Factor x CFM² x 10⁻⁸ in. wg



Mounting brackets shown in both positions.
Can be top or bottom mounted.

DIMENSIONS

| DSQ-B BELT DRIVE BACKWARD INCLINED SQUARE INLINE BLOWER | | | | | | | |
|--|--------------------------------------|--------------|-------------------------|-----------------------|-----------------|---------|-----------------------------------|
| MODEL | L" X W X H | INLET/OUTLET | MOUNTING BRACKET HOLES | | MOTOR ENCLOSURE | | UNIT WEIGHT (LBS) (without motor) |
| | A | | B | A1 | B1 | D | |
| DSQ-B-10 | 20 1/16" L X 16 1/16" W X 16 1/16" H | 14" | 20 9/13" L X 18 9/16" W | 19" L X 15" W X 15" H | 15 1/4" | 14 1/4" | 62 |
| *NOTE: With the exception of DSQ-B-10, all models are cubes (DSQ-B-10 has extended length) | | | | | | | |
| DSQ-B-12 | 20 1/16" | 17" | 22 9/16" | 18 3/4" | 15 1/4" | 14 1/4" | 73 |
| DSQ-B-13 | 22 1/16" | 18 3/4" | 24 9/16" | 20 3/4" | 15 1/4" | 14 1/4" | 85 |
| DSQ-B-15 | 24 9/16" | 20 7/8" | 27" | 23" | 15 1/4" | 14 1/4" | 95 |
| DSQ-B-16 | 26 1/16" | 23" | 28 9/16" | 24 3/4" | 16 3/4" | 16 3/4" | 123 |
| DSQ-B-18 | 28 11/16" | 25 3/8" | 31 3/16" | 27 1/8" | 16 3/4" | 16 3/4" | 140 |
| DSQ-B-20 | 31 7/16" | 27 3/4" | 33 7/8" | 29 7/8" | 16 3/4" | 16 3/4" | 165 |
| DSQ-B-22 | 34 1/16" | 31" | 36 9/16" | 32 3/4" | 21 3/4" | 21 3/4" | 211 |
| DSQ-B-24 | 37 9/16" | 34" | 40" | 36" | 21 3/4" | 21 3/4" | 241 |
| DSQ-B-27 | 41 3/8" | 37 1/2" | 43 13/16" | 39 5/16" | 21 3/4" | 21 3/4" | 280 |

| F-DSQ FILTER SECTION | | | | | |
|----------------------|--------------------------------------|---------|-----|---------------|-------------------|
| MODEL | A | B | Z | FILTER FACTOR | UNIT WEIGHT (LBS) |
| F-DSQ-10 | 20 1/16" L X 16 1/16" W X 16 1/16" H | 14" | 6" | 7.085 | 10 |
| F-DSQ-12 | 20 1/16" | 17" | 6" | 3.069 | 13 |
| F-DSQ-13 | 22 1/16" | 18 3/4" | 6" | 2.184 | 15 |
| F-DSQ-15 | 24 9/16" | 20 7/8" | 14" | 0.762 | 26 |
| F-DSQ-16 | 26 1/16" | 23" | 14" | 0.630 | 27 |
| F-DSQ-18 | 28 11/16" | 25 3/8" | 14" | 0.463 | 30 |
| F-DSQ-20 | 31 7/16" | 27 3/4" | 14" | 0.346 | 33 |
| F-DSQ-22 | 34 1/16" | 31" | 20" | 0.182 | 57 |
| F-DSQ-24 | 37 9/16" | 34" | 20" | 0.134 | 64 |
| F-DSQ-27 | 41 3/8" | 37 1/2" | 20" | 0.100 | 71 |

ACCESSORIES

- F-DSQ Filter section with 'V' bank 1" aluminum filters. (Filter rack will accept customer supplied 2" filters).
- Suspension or base mount vibration isolation.



DSQ-D SERIES

BACKWARD INCLINED DIRECT DRIVE SQUARE INLINE BLOWERS



FEATURES

- Available in 10", 12", 13" & 15" sizes.
- Heavy duty, non-overloading backward inclined wheel.
- Leak proof access panels with gasket.
- Angle iron mounting lugs can be relocated for base or suspension mounting.
- Side discharge option as standard - simply re-locate the side panel to the discharge.
- Junction box.
- 120V TEAO motor
- Two speed motor - DSQ-D-15

PERFORMANCE SPECIFICATIONS

| TYPICAL MAXIMUM CFM @ SP | | | | | |
|--------------------------|---------|-------|-----------|-------|--------|
| MODEL | 1/2" SP | 1" SP | 1 1/2" SP | 2" SP | Max HP |
| DSQ-D-10 | 870 | 390 | -- | -- | 1/4 |
| DSQ-D-12 | 1630 | 1220 | -- | -- | 1/2 |
| DSQ-D-13 | 2280 | 1800 | 1120 | -- | 3/4 |
| DSQ-D-15 | 3060 | 2680 | 3200 | 1400 | 1 1/2 |

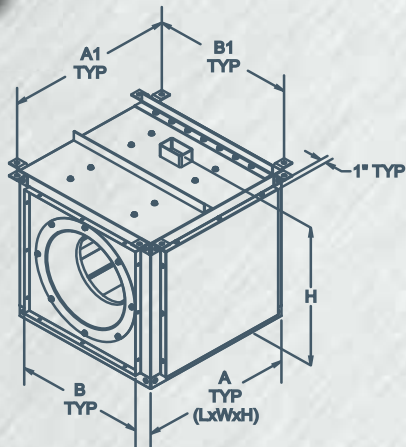
Power rating (BHP) does not include transmission losses. Performance certified is for installation type B: Free inlet, Ducted outlet. Performance ratings do not include the effect of appurtenances (accessories).



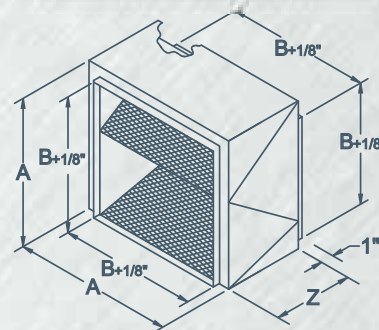
Canarm certifies that the DSQ-D Series shown herein are licensed to bear the AMCA Seal. The ratings shown are based on tests and procedures performed in accordance with AMCA Publication 211 and AMCA Publication 311 and comply with the requirements of the AMCA Certified Ratings Programme.



DIMENSIONS



Filter Resistance =
Filter Factor x CFM² x 10⁻⁸ in. wg



Mounting brackets shown in both positions.
Can be top or bottom mounted.

| DSQ-D DIRECT DRIVE BACKWARD INCLINED SQUARE INLINE BLOWER | | | | | | | | | |
|--|---|------------------|---|--------------------------|-------------------|-----------------------------------|-----------|----------|---|
| MODEL | L" X W X H | INLET/ OUTLET | MOUNTING BRACKET HOLES | | OVERALL HEIGHT | MOTOR NAMEPLATE SPECIFICATIONS | | | UNIT WEIGHT (LBS) (without motor) |
| | A | | B | A1 | | B1 | HP | RPM | |
| DSQ-D-10 | 20 1/16" L X 16 1/16" W X 16 1/16" H | 14" | 20 9/13" L X 18 9/16" W X 18 9/16" H | 19" L X 15" W X 15" H | 17 13/16" | 1/4 | 1725 | 2.8 | 55 |
| *NOTE: With the exception of DSQ-D-10, all models are cubes (DSQ-D-10 has extended length) | | | | | | | | | |
| DSQ-D-12 | 20 1/16" | 17" | 22 9/16" | 18 3/4" | 21 13/16" | 1/2 | 1725 | 5.2 | 77 |
| DSQ-D-13 | 22 1/16" | 18 3/4" | 24 9/16" | 20 3/4" | 23 13/16" | 3/4 | 1725 | 13.0 | 86 |
| DSQ-D-15 | 24 9/16" | 20 7/8" | 27" | 23" | 25 5/16" | 1 1/2 | 1725/1140 | 15.2/8.0 | 115 |

| F-DSQ FILTER SECTION | | | | | |
|----------------------|---|---------|-----|------------------|-------------------------|
| MODEL | A | B | Z | FILTER FACTOR | UNIT WEIGHT (LBS) |
| F-DSQ-10 | 20 1/16" L X 16 1/16" W X 16 1/16" H | 14" | 6" | 7.085 | 10 |
| F-DSQ-12 | 20 1/16" | 17" | 6" | 3.069 | 13 |
| F-DSQ-13 | 22 1/16" | 18 3/4" | 6" | 2.184 | 15 |
| F-DSQ-15 | 24 9/16" | 20 7/8" | 14" | 0.762 | 26 |

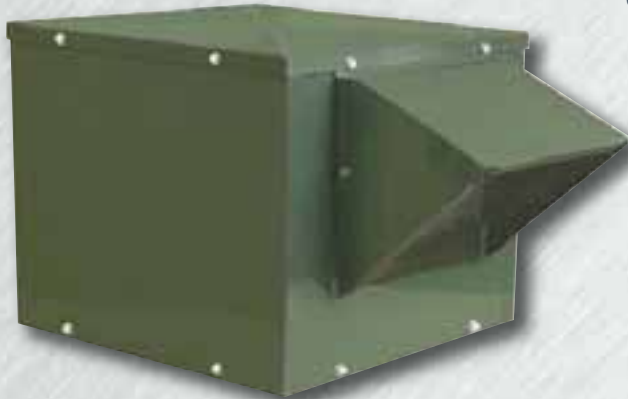
ACCESSORIES

- F-DSQ Filter section with 'V' bank 1" aluminum filters. (Filter rack will accept customer supplied 2" filters).
- Suspension or base mount vibration isolation.



FORWARD CURVED ROOF EXHAUSTERS

For economical use in schools, hospitals, high rise apartments and many other commercial and industrial applications where quiet operation is required.



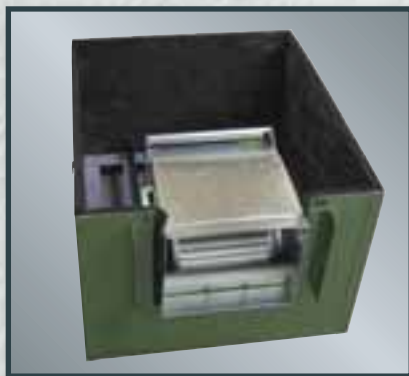
FEATURES

- Square base allows discharge to be oriented in any of 4 directions.
- Back draft damper and bird screen included.
- Heavy duty ball bearings suitable for -65° to + 250° F.
- Cabinet insulated with 1/2" fiberglass insulation.
- Low operating RPM of forward curved blowers results in low noise levels.
- Quiet operation. Blower is mounted on heavy steel angle with rubber isolators.
- Attractive green baked powder coat finish.
- Automatic gravity back draft damper and bird screen are included.
- Motor receives the cooling benefits of being in the air stream for increased motor life.
- Recessed base ensures weather proof mounting to curb.

PERFORMANCE SPECIFICATIONS

| TYPICAL MAXIMUM CFM @ SP | | | | | | |
|--------------------------|---------|-------|-----------|-------|-----------|--------|
| MODEL | 1/2" SP | 1" SP | 1 1/2" SP | 2" SP | 2 1/2" SP | Max HP |
| 307 | 1200 | 1100 | 900 | 700 | 500 | 3/4 |
| 309 | 1800 | 1600 | 1300 | 1000 | 700 | 3/4 |
| 310 | 2800 | 2500 | 2200 | 2000 | 1600 | 1 1/2 |
| 312 | 3700 | 3300 | 2900 | 2500 | 1700 | 2 |
| 315 | 5700 | 5200 | 4600 | 4100 | 3400 | 3 |
| 318 | 8800 | 8000 | 7200 | 6600 | 5800 | 5 |

Power rating (BHP) does not include transmission losses. Performance certified is for installation type B - Free Inlet, Free Outlet. Performance ratings include the effects of the outlet hood and screen, but do not include the effect of other appurtenances (accessories).



Easy to service. Blower, motor and drives accessible through the convenient removable top.

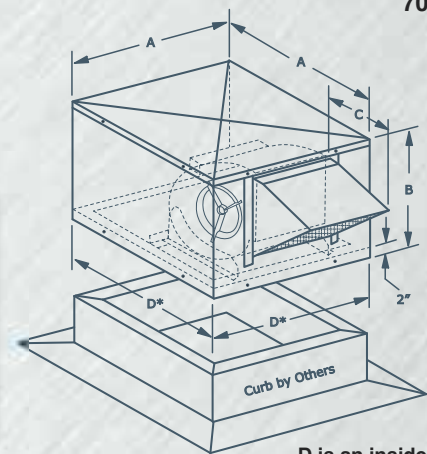


Canarm certifies that the 300 Series shown herein are licensed to bear the AMCA Seal. The ratings shown are based on tests and procedures performed in accordance with AMCA Publication 211 and AMCA Publication 311 and comply with the requirements of the AMCA Certified Ratings Programme.



DIMENSIONS

| MODEL | A | B | C | * D INSIDE | SHAFT DIAMETER | UNIT WEIGHT (LBS) (without motor & drives) |
|-------|---------|---------|---------|------------|----------------|---|
| 307 | 20 3/8" | 16 5/8" | 9" | 20" | 3/4" | 45 |
| 309 | 24 3/8" | 19 3/8" | 10 5/8" | 24" | 3/4" | 63 |
| 310 | 28 3/8" | 21 3/8" | 11 3/8" | 28" | 3/4" | 88 |
| 312 | 32 3/8" | 24 5/8" | 13 1/8" | 32" | 3/4" | 113 |
| 315 | 36 3/8" | 28 3/8" | 14 7/8" | 36" | 1" | 156 |
| 318 | 40 3/8" | 33 3/4" | 17 3/8" | 40" | 1" | 224 |



D is an inside dimension. Curb size must be smaller to allow for flashing.

| MODEL | DAMPER FACTOR |
|-------|---------------|
| 307 | 1.520 |
| 309 | 0.469 |
| 310 | 0.175 |
| 312 | 0.167 |
| 315 | 0.052 |
| 318 | 0.033 |

BACK DRAFT DAMPER RESISTANCE CALCULATION

To estimate back draft damper resistance use the following formula:

$$S.P. = \frac{CFM^2 \times DAMPER FACTOR}{1,000,000}$$

Example

Example Model 315, 1500 CFM

$$S.P. = \frac{1500 \times 1500 \times 0.052}{1,000,000} = 0.117 \text{ in. w.g.}$$

GREEN SERIES 300DD

FORWARD CURVED ROOF EXHAUSTERS

DELTA BLOWERS

FEATURES

- High efficiency direct drive motor for energy efficient low maintenance applications
- Square base allows discharge to be oriented in any of 4 directions.
- Back draft damper and bird screen included.
- Cabinet insulated with 1/2" fiberglass insulation.



PERFORMANCE SPECIFICATIONS

| GREEN SERIES DATA 309DD | | | | |
|-------------------------|--------------|--------------|--------------|--------------|
| CFM | 0.125" SP | 0.25" | 0.5" | 0.75" |
| 600 | | | 1/2-L | |
| 700 | | | | 3/4-L |
| 800 | | 1/2-L | | |
| 900 | 1/2-L | | 3/4-L | 1/2-ML |
| 1000 | | 3/4-L | | 1/2-M/3/4-ML |
| 1100 | | | | 1/2-MH/3/4-M |
| 1200 | 3/4-L | | 1/2-ML | 1/2-H/3/4-MH |
| 1300 | | 1/2-ML | 1/2-M | 3/4-H |
| 1400 | 1/2-ML | 1/2-M | 1/2-MH | |
| 1500 | 1/2-ML | 1/2-MH | 1/2-H/3/4-ML | |
| 1600 | 1/2-MH | 1/2-H/3/4-ML | 3/4-M | |
| 1700 | 1/2-H/3/4-ML | 3/4-M | 3/4-MH | |
| 1800 | 3/4-M | 3/4-MH | 3/4-H | |
| 1900 | 3/4-MH | 3/4-H | | |
| 2000 | 3/4-H | | | |
| 2100 | | | | |

Chart cells reference Motor HP and Motor Speed for performance (motor to be wired accordingly).

H - High, MH - Medium High, M - Medium, ML - Medium Low, L - Low

Performance tested in accordance to AMCA STD 210-85.

Operating at Static Pressure ratings above listed data is not recommended.

Performance drops off drastically and surging may occur.

Performance limited to green highlighted areas of the charts. Do not select yellow areas.

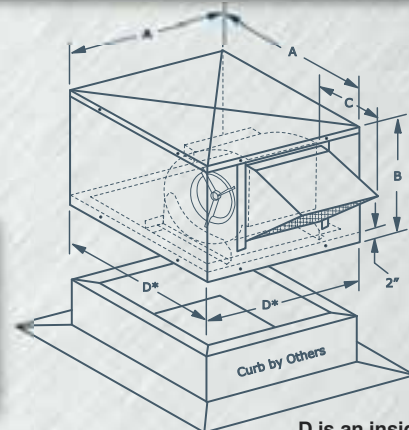
Motor HP's of 1/2, 3/4 and 1 are available in 115 Volt and 230 Volt in Single Phase ONLY.

| GREEN SERIES DATA 310DD | | | | | |
|-------------------------|------------|-------------|-------------|------------|-----------|
| CFM | 0.125" SP | 0.25" | 0.5" | 0.75" | 1" |
| 500 | | | 1/2-L | | |
| 600 | | | | 3/4-L | |
| 700 | | | | | |
| 800 | | 1/2-L | | | |
| 900 | | | 3/4-L | | |
| 1000 | 1/2-L | | | | |
| 1100 | | 3/4-L | | 1-L | 1/2-ML |
| 1200 | 3/4-L | | 1-L | 1/2-ML | 1/2-M |
| 1300 | | 1-L | 1/2-ML | 1/2-M | 1/2-MH |
| 1400 | 1-L | 1/2-ML | 1/2-M | 1/2-MH | 1/2-H |
| 1500 | 1/2-ML | 1/2-M | 1/2-MH | 1/2-H | 3/4-ML |
| 1600 | 1/2-M | 1/2-MH | 1/2-H | 3/4-ML | 3/4-M/1-H |
| 1700 | 1/2-MH | 1/2-H | 3/4-ML | 3/4-M | 3/4-MH |
| 1800 | 1/2-H | 3/4-ML | 3/4-M | 3/4-MH/1-M | 3/4-H |
| 1900 | 3/4-ML | 3/4-M | 3/4-MH/1-ML | 3/4-H/1-MH | |
| 2000 | | | 3/4-MH/1-ML | 1-H | |
| 2100 | 3/4-M | 3/4-MH/1-ML | 3/4-H | | |
| 2200 | 3/4-MH | 3/4-H | 1-M | | |
| 2300 | 3/4-H/1-ML | 1-M | 1-MH | | |
| 2400 | 1-M | 1-MH | 1-H | | |
| 2500 | 1-MH | 1-H | | | |
| 2600 | 1-H | | | | |
| 2700 | | | | | |

| GREEN SERIES DATA 312DD | | | | | | | | |
|-------------------------|------------|--------|-------------|-------------|------------|-------------|------|-------|
| CFM | 0.125" SP | 0.25" | 0.5" | 0.75" | 1" | 1.25" | 1.5" | 1.75" |
| 700 | | 1/2-L | 3/4-L | 1-L | | | | |
| 800 | | | | | | | | |
| 900 | | 3/4-L | | | | | | |
| 1000 | | | 1-L | 1/2-M | 1/2-H | | | |
| 1100 | 1/2-L | | 1/2-ML | 1/2-MH | 3/4-ML | | 1-ML | |
| 1200 | 3/4-L | 1-L | 1/2-M | 1/2-H | 3/4-ML | | | |
| 1300 | | 1/2-ML | 1/2-MH | 1/2-H | 3/4-ML | 3/4-MH/1-ML | | |
| 1400 | | 1/2-M | 1/2-H | 3/4-M | 3/4-MH | 3/4-H | 1-M | 1-MH |
| 1500 | 1-L | 1/2-MH | 3/4-ML | 3/4-M | 3/4-H/1-ML | 1-M | 1-MH | 1-H |
| 1600 | 1/2-ML | 1/2-H | 3/4-M | 3/4-MH | 3/4-H/1-ML | 1-M | 1-MH | 1-H |
| 1700 | 1/2-M | 3/4-ML | 3/4-M | 3/4-MH/1-ML | 1-M | 1-MH | 1-H | |
| 1800 | 1/2-MH | 3/4-M | 3/4-MH/1-ML | 1-M | 1-MH | 1-H | | |
| 1900 | 1/2-H | | 3/4-H | 1-M | 1-MH | 1-H | | |
| 2000 | 3/4-ML | 3/4-MH | | 1-M | 1-MH | 1-H | | |
| 2100 | 3/4-M | 3/4-MH | 1-M | 1-MH | 1-H | | | |
| 2200 | | 1-M | 1-MH | 1-H | | | | |
| 2300 | 3/4-MH | | 1-MH | 1-H | | | | |
| 2400 | 3/4-H/1-ML | 1-MH | | | | | | |
| 2500 | | 1-H | | | | | | |
| 2600 | 1-M | | | | | | | |
| 2700 | 1-MH | | | | | | | |
| 2800 | 1-H | | | | | | | |
| 2900 | | | | | | | | |

DIMENSIONS

| MODEL | A | B | C | * D INSIDE | SHAFT DIAMETER | UNIT WEIGHT (LBS) (without motor & drives) |
|-------|---------|---------|---------|------------|----------------|---|
| 309DD | 24 3/8" | 19 3/8" | 10 5/8" | 24" | 3/4" | 63 |
| 310DD | 28 3/8" | 21 3/8" | 11 3/8" | 28" | 3/4" | 88 |
| 312DD | 32 3/8" | 24 5/8" | 13 1/8" | 32" | 3/4" | 113 |



D is an inside dimension. Curb size must be smaller to allow for flashing.



700 SERIES

FILTERED FRESH AIR SUPPLY UNITS

For use in restaurants, schools, high rise apartments and many other commercial and industrial applications.



FEATURES

- Green, weather resistant baked powder coat finish.
- Heavy duty ball bearings suitable for -65° to +250° F.
- Latched top cover provides convenient service access to 4 filters, motor and drive.
- Flexible forward curved belt drive blowers operate at low speed and noise levels.
- Blower is rubber mounted for quiet operation.
- Four permanent, washable, aluminum filters have large surface area for efficient filtration.
- Outside air flows over the motor to increase motor life.
- Top insulated with 1/2" fiberglass flexible duct liner.
- Adaptable to heating or cooling coils for applications requiring tempered air.
- Motor mounting hardware supplied with all units.

PERFORMANCE SPECIFICATIONS

| TYPICAL MAXIMUM CFM @ SP | | | | | | |
|--------------------------|---------|-------|-----------|-------|-----------|--------|
| MODEL | 1/2" SP | 1" SP | 1 1/2" SP | 2" SP | 2 1/2" SP | Max HP |
| 709 | 2600 | 2500 | 2300 | 2100 | 1800 | 1 1/2 |
| 710 | 3200 | 2900 | 2600 | 2300 | 2000 | 1 1/2 |
| 712 | 4400 | 4000 | 3600 | 3100 | 2600 | 2 |
| 715 | 5800 | 5400 | 4600 | 4000 | 3400 | 3 |
| 718 | 8800 | 8200 | 7400 | 6800 | 6000 | 5 |

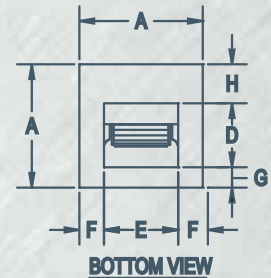
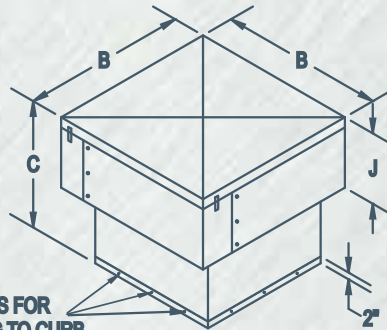
Power rating (BHP) does not include transmission losses. Performance certified is for installation type B: Free inlet, Ducted outlet. Performance ratings do not include the effect of appurtenances (accessories).



Motor and drive compartment with cover removed to illustrate 3 side motor access and sloped motor base for belt tensioning.



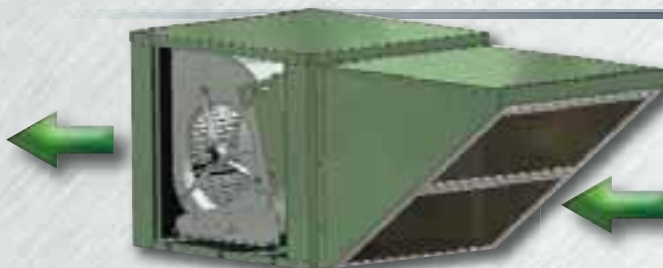
Canarm certifies that the 700 Series shown herein are licensed to bear the AMCA Seal. The ratings shown are based on tests and procedures performed in accordance with AMCA Publications 211 & 311 and comply with the requirements of the AMCA Certified Ratings Programme.



DIMENSIONS

| MODEL | A | B | C | D | E | F | G | H | J | FILTERS | | *INSIDE CABINET | UNIT WEIGHT (LBS) (without motor & drives) |
|-------|---------|---------|---------|----------|-----------|---------|----------|----------|---------|--------------|----------|-----------------|--|
| | | | | | | | | | | SIZE | QUANTITY | | |
| 709 | 24 3/8" | 32 3/8" | 24 3/8" | 10 1/4" | 11 13/16" | 6 9/32" | 7 1/16" | 7 1/16" | 10 1/4" | 10"x 20" | 4 | 24"x 24" | 84 |
| 710 | 28 3/8" | 38 1/2" | 28 1/4" | 11 3/8" | 13 1/8" | 7 5/8" | 8 1/2" | 8 1/2" | 12 1/4" | 12"x 24" | 4 | 28"x 28" | 108 |
| 712 | 32 3/8" | 42 5/8" | 31 3/8" | 13 7/16" | 15 5/8" | 8 3/8" | 9 15/32" | 9 15/32" | 16 1/2" | 16"x 25" | 4 | 32"x 32" | 150 |
| 715 | 32 3/8" | 42 5/8" | 31 3/8" | 15 7/8" | 18 5/8" | 6 7/8" | 6 1/4" | 10 1/4" | 16 1/2" | 16"x 25" | 4 | 32"x 32" | 155 |
| 718 | 36 3/8" | 46 5/8" | 35 1/4" | 18 3/8" | 21 7/8" | 8 1/4" | 8 1/4" | 11 1/2" | 20 3/4" | 20"x 28 1/2" | 4 | 36"x 36" | 245 |

* Curb size to be smaller than inside cabinet to allow for flashing and roofing.



9200 SERIES WITH INTAKE HOOD

FOR HORIZONTAL APPLICATIONS

Use 9200 Series Duct Blower with matching "H" Series Intake Hood. Refer to page (9200 Series - page 3).



FEATURES

- High efficiency direct drive motor for energy efficient low maintenance applications.
- Green, weather resistant baked powder coat finish.
- Latched top cover provides convenient service access to 4 filters.
- Flexible forward curved belt drive blowers operate at low speed and noise levels.



PERFORMANCE SPECIFICATIONS

| GREEN SERIES DATA 709DD | | | | |
|-------------------------|-------------|-------------|-----------|--------------|
| CFM | 0.125" SP | 0.25" | 0.5" | 0.75" |
| 600 | | | 1/2-L | |
| 700 | | | | |
| 800 | | 1/2-L | | 3/4-L |
| 900 | 1/2-L | | 3/4-L | |
| 1000 | | | | |
| 1100 | | 3/4-L | | 1-L |
| 1200 | 3/4-L | | 1-L | 1/2-ML |
| 1300 | | 1-L | 1/2-ML | 1-2-M |
| 1400 | 1-L | 1/2-ML | 1/2-MH | 1/2-MH |
| 1500 | 1/2-ML | 1/2-M | 1/2-MH | 1/2-H/3/4-ML |
| 1600 | 1/2-M | 1/2-MH | 1/2-H | 3/4-M/1-M |
| 1700 | 1/2-MH | 1/2-H | 3/4-ML | 3/4-MH/1-MH |
| 1800 | 1/2-H | 3/4-ML | 3/4-M | 3/4-H/1-H |
| 1900 | 3/4-ML | 3/4-MH/1-ML | 3/4-H/1-M | |
| 2000 | 3/4-M | 3/4-MH/1-ML | 3/4-H/1-M | |
| 2100 | 3/4-MH/1-ML | 3/4-H | 1-MH | |
| 2200 | 3/4-H | 1-M | 1-H | |
| 2300 | 1-M | 1-MH | | |
| 2400 | 1-MH | 1-H | | |
| 2500 | 1-H | | | |
| 2600 | | | | |

| GREEN SERIES DATA 710DD | | | | | | |
|-------------------------|-------------|-------------|-------------|-------------|--------------|-------|
| CFM | 0.125" SP | 0.25" | 0.5" | 0.75" | 1" | 1.25" |
| 600 | | | 1/2-L | | 3/4-L | |
| 700 | | | | | | |
| 800 | | 1/2-L | | 3/4-L | 1-L | |
| 900 | | | 1-L | | | |
| 1000 | 1/2-L | | 3/4-L | | | |
| 1100 | | 3/4-L | | | | |
| 1200 | | 3/4-L | 1-L | | | |
| 1300 | 3/4-L | | 1/2-ML | 1/2-ML | 3/4-ML | |
| 1400 | | 1-L | 1/2-M | 1/2-MH | 1/2-H/3/4-MH | |
| 1500 | 1-L | 1/2-ML | 1/2-M | 1/2-MH | 1/2-H | 3/4-H |
| 1600 | 1/2-ML | 1/2-M | 1/2-MH | 1/2-H | 3/4-ML | |
| 1700 | 1/2-M | 1/2-MH | 1/2-H | 3/4-ML | | |
| 1800 | 1/2-MH | 1/2-H | 3/4-ML | 3/4-M | 1-ML | |
| 1900 | 1/2-H | 3/4-ML | 3/4-M | 3/4-MH/1-ML | 3/4-H | 1-M |
| 2000 | 3/4-ML | 3/4-M | 3/4-MH/1-ML | 3/4-H | 1-M | 1-MH |
| 2100 | | 3/4-M | 3/4-MH/1-ML | 3/4-H | 1-M | 1-H |
| 2200 | 3/4-M | 3/4-MH/1-ML | 3/4-H | 1-M | 1-MH | 1-H |
| 2300 | 3/4-MH/1-ML | 3/4-H | 1-M | 1-MH | | |
| 2400 | 3/4-H | 1-M | 1-MH | 1-H | | |
| 2500 | 1-M | 1-MH | | | | |
| 2600 | 1-MH | 1-H | | | | |
| 2700 | 1-MH | 1-H | | | | |
| 2800 | | | | | | |

| GREEN SERIES DATA 712DD | | | | | | | | |
|-------------------------|-------------|-------------|-------------|-------------|--------------|--------|--------|-------|
| CFM | 0.125" SP | 0.25" | 0.5" | 0.75" | 1" | 1.25" | 1.5" | 1.75" |
| 700 | | | | 3/4-L | 1-L | | | |
| 800 | | 1/2-L | 3/4-L | | | | | |
| 900 | | | | | | | | |
| 1000 | 1/2-L | | | 1-L | | | | |
| 1100 | | 3/4-L | | | 1/2-M | | | |
| 1200 | | | 1-L | 1/2-ML | 1/2-M | | | |
| 1300 | 3/4-L | | | 1/2-M | 1/2-MH | | | |
| 1400 | | 1-L | 1/2-ML | 1/2-M | 1/2-H/3/4-ML | | | |
| 1500 | 1-L | 1/2-ML | 1/2-M | 1/2-MH | 1/2-H | 3/4-M | 1-ML | |
| 1600 | 1/2-ML | 1/2-M | 1/2-MH | 1/2-H | 3/4-ML | 3/4-M | 3/4-MH | 3/4-H |
| 1700 | 1/2-M | 1/2-MH | 1/2-H | 3/4-ML | 3/4-M | 3/4-MH | 3/4-H | |
| 1800 | 1/2-MH | 1/2-H | 3/4-ML | 3/4-M | 3/4-MH/1-ML | 3/4-H | 1-ML | 1-M |
| 1900 | 1/2-H | 3/4-ML | 3/4-M | 3/4-MH/1-ML | 3/4-H | 1-ML | 1-MH | 1-H |
| 2000 | 3/4-ML | 3/4-M | 3/4-MH/1-ML | 3/4-H | 1-M | 1-MH | 1-H | |
| 2100 | | 3/4-M | 3/4-MH/1-ML | 3/4-H | 1-M | 1-MH | 1-H | |
| 2200 | 3/4-M | 3/4-MH/1-ML | 3/4-H | 1-M | 1-MH | 1-H | | |
| 2300 | 3/4-MH/1-ML | 3/4-H | 1-M | 1-MH | 1-H | | | |
| 2400 | 3/4-H | 1-M | 1-MH | 1-H | | | | |
| 2500 | | 1-M | 1-MH | 1-H | | | | |
| 2600 | 1-M | 1-MH | 1-H | | | | | |
| 2700 | 1-MH | 1-H | | | | | | |
| 2800 | 1-H | | | | | | | |
| 2900 | | | | | | | | |

Chart cells reference Motor HP and Motor Speed for performance (motor to be wired accordingly).

H - High, MH - Medium High, M - Medium, ML - Medium Low, L - Low

Performance tested in accordance to AMCA STD 210-85.

Operating at Static Pressure ratings above listed data is not recommended.

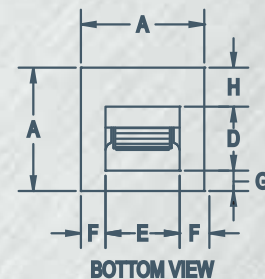
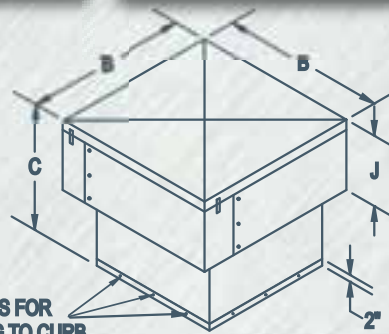
Performance drops off drastically and surging may occur.

Performance limited to green highlighted areas of the charts.

Do not select yellow areas.

Motor HP's of 1/2, 3/4 and 1 are available in 115 Volt and 230 Volt in Single Phase ONLY.

DIMENSIONS



| MODEL | A | B | C | D | E | F | G | H | J | FILTERS | | *INSIDE CABINET | UNIT WEIGHT (LBS) (without motor & drives) |
|-------|---------|----------|---------|----------|-----------|---------|----------|----------|---------|--------------|----------|-----------------|---|
| | | | | | | | | | | SIZE | QUANTITY | | |
| 709 | 24 3/8" | 32 3/8" | 24 3/8" | 10 1/4" | 11 13/16" | 6 9/32" | 7 1/16" | 7 1/16" | 10 1/4" | 10"x 20" | 4 | 24"x 24" | 84 |
| 710 | 28 3/8" | 38 1/2" | 28 1/4" | 11 3/8" | 13 1/8" | 7 5/8" | 8 1/2" | 8 1/2" | 12 1/4" | 12"x 24" | 4 | 28"x 28" | 108 |
| 712 | 32 3/8" | 42 5/8" | 31 3/8" | 13 7/16" | 15 5/8" | 8 3/8" | 9 15/32" | 9 15/32" | 16 1/2" | 16"x 25" | 4 | 32"x 32" | 150 |
| 715 | 32 3/8" | 42 5/8" | 31 3/8" | 15 7/8" | 18 5/8" | 6 7/8" | 6 1/4" | 10 1/4" | 16 1/2" | 16"x 25" | 4 | 32"x 32" | 155 |
| 718 | 36 3/8" | 48 5/16" | 37 1/4" | 18 7/8" | 21 7/8" | 7 1/4" | 6" | 11 1/2" | 20 3/4" | 20"x 28 1/2" | 4 | 36"x 36" | 245 |

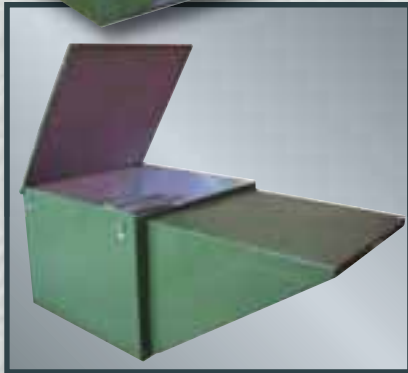
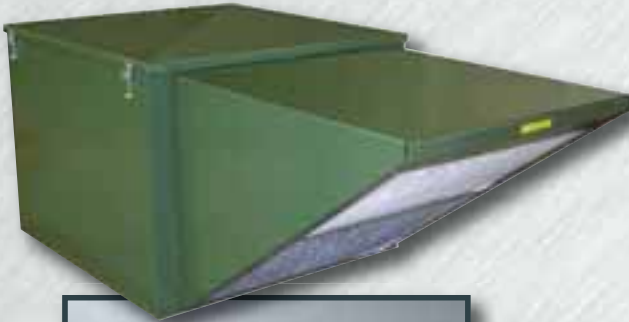
* Curb size to be smaller than inside cabinet to allow for flashing and roofing.



SIS SERIES

SIDE INTAKE FILTERED FRESH AIR SUPPLY UNITS

An economical fresh air supply unit designed as a practical method to meet NFPA 96 separation requirements between supply and exhaust air streams in restaurant applications. Also suitable for many other applications, such as schools and apartments.



Easy to service. Latched top cover provides convenient access to motor, pulleys and belt.

FEATURES

- Easy on-site addition of customer supplied air supply duct extension between the intake hood and unit provides additional separation where necessary.
- Filters designed with large surface area for efficient filtration.
- Green weather resistant baked powder coat finish.
- Weather proof cabinet designed for outdoor roof mounting.
- Flexible forward curved belt drive blowers operate at low speed and low noise levels.
- Heavy duty ball bearings suitable for -65° to +250° F.
- Washable aluminum mesh filter are located in the intake hood (except SIS-20) and are accessible through the hood end cap for ease of service.
- SIS-20 has a drawer type filter section (not illustrated). The SIS-20 intake hood has a screened inlet.

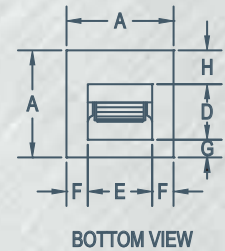
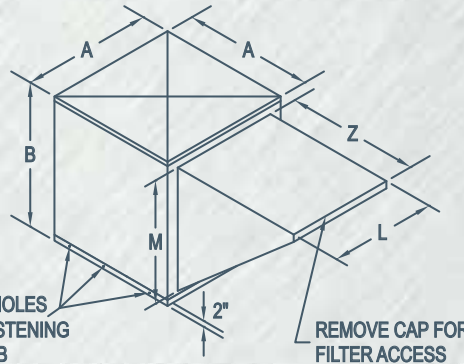
PERFORMANCE SPECIFICATIONS

| MODEL | TYPICAL MAXIMUM CFM @ SP | | | | | Max HP |
|--------|--------------------------|-------|-----------|-------|-----------|--------|
| | 1/2" SP | 1" SP | 1 1/2" SP | 2" SP | 2 1/2" SP | |
| SIS-9 | 2300 | 2200 | 2000 | 1800 | 1600 | 1 1/2 |
| SIS-10 | 2700 | 2400 | 2200 | 1900 | 1700 | 1 1/2 |
| SIS-12 | 3800 | 3500 | 3100 | 2700 | 2300 | 2 |
| SIS-15 | 5400 | 5100 | 4500 | 4000 | 3300 | 3 |
| SIS-18 | 8400 | 7800 | 7000 | 6200 | 4600 | 5 |
| SIS-20 | 12500 | 11700 | 10900 | 10300 | 9500 | 10 |

Power rating (BHP) does not include transmission losses. Performance certified is for installation type B: Free inlet, Ducted outlet. Performance ratings do not include the effect of appurtenances (accessories).



Canarm certifies that the SIS Series shown herein are licensed to bear the AMCA Seal. The ratings shown are based on tests and procedures performed in accordance with AMCA Publications 211 & 311 and comply with the requirements of the AMCA Certified Ratings Programme.

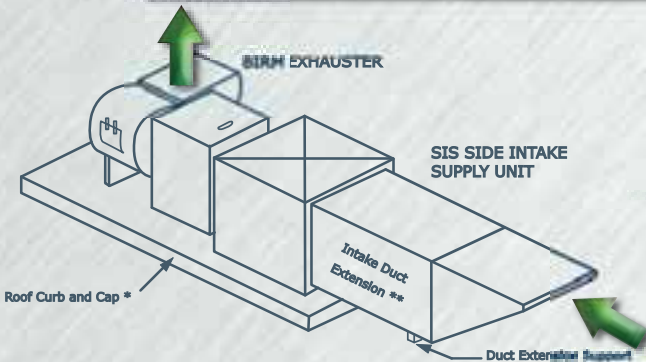


BOTTOM VIEW

DIMENSIONS

| MODEL | A | B | D | E | F | G | H | L | M | Z | FILTERS | | *INSIDE CABINET | UNIT WEIGHT (LBS) (without motors & drives) |
|--------|---------|---------|----------|-----------|----------|----------|----------|----------|-----------|---------|---------------------------------|----------|-----------------|---|
| | | | | | | | | | | | SIZE | QUANTITY | | |
| SIS-9 | 24 3/8" | 19 3/8" | 10 1/4" | 11 13/16" | 6 9/32" | 7 1/16" | 7 1/16" | 19 1/4" | 16 9/16" | 21 1/4" | 16" x 24" x 1" | 1 | 24" x 24" | 70 |
| SIS-10 | 28 3/8" | 21 3/8" | 11 3/8" | 13 1/8" | 7 5/8" | 8 1/2" | 8 1/2" | 20 1/2" | 18 9/16" | 25 3/4" | 15" x 20" x 1" | 2 | 28" x 28" | 87 |
| SIS-12 | 32 3/8" | 24 5/8" | 13 7/16" | 15 5/8" | 8 3/8" | 9 15/32" | 9 15/32" | 25 3/8" | 21 9/16" | 30 3/4" | 20" x 25" x 1" & 16" x 25" x 1" | 1 & 1 | 32" x 32" | 117 |
| SIS-15 | 36 3/8" | 28 3/8" | 15 7/8" | 18 5/8" | 8 7/8" | 8" | 12 1/2" | 31 3/16" | 25 13/16" | 33 1/2" | 20" x 28 1/2" x 1" | 2 | 36" x 36" | 175 |
| SIS-18 | 40 3/8" | 32 3/8" | 18 1/2" | 21 1/8" | 9 1/4" | 9 1/4" | 15 1/2" | 35 1/8" | 29 1/2" | 37 1/2" | 20" x 25" x 1" & 16" x 25" x 1" | 2 & 2 | 36" x 36" | 262 |
| SIS-20 | 44 3/8" | 49" | 24 3/4" | 24 3/4" | 9 13/16" | 5 3/16" | 14 7/16" | 38 5/8" | 35 9/16" | 45 1/2" | 20" x 25" x 1" | 6 | 44" x 44" | 497 |

* Curb size to be smaller than inside cabinet to allow for flashing and roofing.
** Includes filter section.

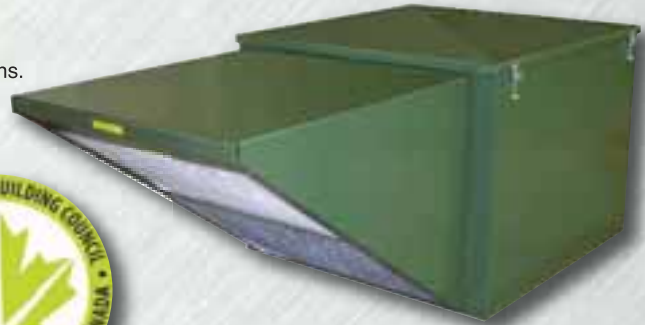


TYPICAL INSTALLATION



FEATURES

- High efficiency direct drive motor for energy efficient low maintenance applications.
- Side intake provides a means to meet supply and exhaust air separation in restaurant applications.
- Easy on-site addition of customer supplied air supply duct extension provides additional separation where necessary.
- Filters designed with large surface area for efficient filtration.
- Green weather resistant baked powder coat finish.



PERFORMANCE SPECIFICATIONS

| GREEN SERIES DATA SIS9DD | | | | |
|--------------------------|---------------|---------------|---------------|--------------|
| | 0.125" SP | 0.25" | 0.5" | 0.75" |
| CFM | | | | |
| 700 | | | 1/2-L | 3/4-L |
| 800 | | 1/2-L | | 1/2-ML |
| 900 | 1/2-L | | 3/4-L | 1/2-M |
| 1000 | | | | 1/2-MH |
| 1100 | | 3/4-L | | 1/2-H/3/4-ML |
| 1200 | 3/4-L | | 1/2-ML | 3/4-MH |
| 1300 | | | 1/2-M | 3/4-H |
| 1400 | | 1/2-ML | 1/2-MH/3/4-ML | |
| 1500 | 1/2-ML | 1/2-M | 1/2-H/3/4-M | |
| 1600 | 1/2-M | 1/2-MH/3/4-ML | 3/4-MH | |
| 1700 | 1/2-MH/3/4-ML | 1/2-H/3/4-M | 3/4-H | |
| 1800 | 1/2-H/3/4-M | 3/4-MH | | |
| 1900 | 3/4-MH | 3/4-H | | |
| 2000 | 3/4-H | | | |
| 2100 | | | | |

Chart cells reference Motor HP and Motor Speed for performance (motor to be wired accordingly).

H - High, MH - Medium High, M - Medium, ML - Medium Low, L - Low

Performance tested in accordance to AMCA STD 210-85.

Operating at Static Pressure ratings above listed data is not recommended.

Performance drops off drastically and surging may occur.

Performance limited to green highlighted areas of the charts.

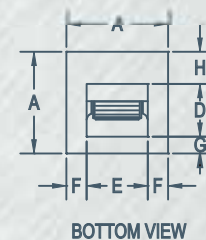
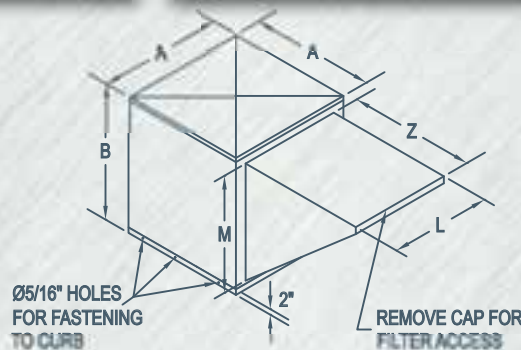
Do not select yellow areas.

Motor HP's of 1/2, 3/4 and 1 are available in 115 Volt and 230 Volt in Single Phase ONLY.

| GREEN SERIES DATA SIS10DD | | | | | |
|---------------------------|-------------|-------------|-------------|-------------|-------------------|
| | 0.125" SP | 0.25" | 0.5" | 0.75" | 1" |
| CFM | | | | | |
| 500 | | | | 1/2-L | |
| 600 | | | | | |
| 700 | | | 1/2-L | | |
| 800 | | 1/2-L | | 3/4-L | |
| 900 | | | | | |
| 1000 | 1/2-L | | 3/4-L | | |
| 1100 | | 3/4-L | | 1-L | 1/2-ML |
| 1200 | 3/4-L | | 1-L | | 1/2-M/3/4-ML |
| 1300 | | 1-L | | 1/2-ML | 1/2-MH/3/4-M/1-ML |
| 1400 | 1-L | | 1/2-ML | 1/2-M | 1/2-H/3/4-MH/1-M |
| 1500 | | 1/2-ML | 1/2-M | 1/2-MH | 3/4-H/1-MH |
| 1600 | 1/2-ML | 1/2-M | 1/2-MH | 1/2-H | 1-H |
| 1700 | 1/2-M | 1/2-MH | 1/2-H | 3/4-ML | |
| 1800 | 1/2-MH | 1/2-H | 3/4-ML | 3/4-M | |
| 1900 | 1/2-H | 3/4-ML | 3/4-M | 3/4-MH/1-ML | |
| 2000 | 3/4-ML | 3/4-M | 3/4-MH/1-ML | 3/4-H/1-M | |
| 2100 | 3/4-M | 3/4-MH/1-ML | 3/4-H/1-M | 1-MH | |
| 2200 | 3/4-MH/1-ML | 3/4-H/1-M | 1-MH | 1-H | |
| 2300 | 3/4-H/1-M | 1-MH | 1-H | | |
| 2400 | 1-MH | 1-H | | | |
| 2500 | 1-H | | | | |
| 2600 | | | | | |

| GREEN SERIES DATA SIS12DD | | | | | | | | |
|---------------------------|------------|------------|------------|------------|------------|------------|--------|-------|
| | 0.125" SP | 0.25" | 0.5" | 0.75" | 1" | 1.25" | 1.5" | 1.75" |
| CFM | | | | | | | | |
| 500 | | | 1/2-L | | | | | |
| 600 | | | | 3/4-L | 1-L | | | |
| 700 | | | | | | | | |
| 800 | | 1/2-L | | 1-L | | | | |
| 900 | | | 3/4-L | | | | | |
| 1000 | 1/2-L | | | | | | | |
| 1100 | | 3/4-L | 1-L | | | | | |
| 1200 | | | | 1/2-ML | 1/2-M | | | |
| 1300 | 3/4-L | 1-L | | 1/2-ML | 1/2-MH | | | |
| 1400 | 1-L | | 1/2-ML | 1/2-M | 1/2-MH | | 1-ML | |
| 1500 | | 1/2-ML | 1/2-M | 1/2-MH | 1/2-H | 3/4-ML | 1-M | 3/4-H |
| 1600 | 1/2-ML | 1/2-M | 1/2-MH | 1/2-H | 3/4-ML | 1-ML | 1-M | 3/4-H |
| 1700 | 1/2-M | 1/2-MH | 1/2-H | 3/4-ML | 1-ML | 3/4-M | 3/4-MH | 1-MH |
| 1800 | 1/2-MH | 1/2-H | 3/4-ML | 1-ML | 3/4-M | 3/4-MH/1-M | 3/4-H | 1-MH |
| 1900 | 1/2-H | 3/4-ML | 3/4-M | 3/4-M | 3/4-MH/1-M | 3/4-H | 1-MH | 1-H |
| 2000 | 3/4-ML | 1-ML | 3/4-M | 3/4-MH/1-M | 3/4-H | 1-MH | 1-H | |
| 2100 | 3/4-MH | 3/4-M | 3/4-MH/1-M | 3/4-H | 1-MH | 1-H | | |
| 2200 | 1-ML | 3/4-MH/1-M | 3/4-H | 1-MH | 1-H | | | |
| 2300 | 3/4-MH/1-M | 3/4-H | 1-MH | 1-H | | | | |
| 2400 | 3/4-H | 1-MH | 1-H | | | | | |
| 2500 | 1-MH | 1-H | | | | | | |
| 2600 | 1-H | | | | | | | |
| 2700 | | | | | | | | |

DIMENSIONS



| MODEL | A | B | D | E | F | G | H | L | M | Z | FILTERS | | *INSIDE CABINET | UNIT WEIGHT (LBS) (without motors & drives) |
|----------|---------|---------|----------|-----------|---------|----------|----------|---------|----------|---------|---------------------------------|----------|-----------------|---|
| | | | | | | | | | | | SIZE | QUANTITY | | |
| SIS-9DD | 24 3/8" | 19 3/8" | 10 1/4" | 11 13/16" | 6 9/32" | 7 1/16" | 7 1/16" | 19 1/4" | 16 9/16" | 21 1/4" | 16" x 24" x 1" | 1 | 24" x 24" | 70 |
| SIS-10DD | 28 3/8" | 21 3/8" | 11 3/8" | 13 1/8" | 7 5/8" | 8 1/2" | 8 1/2" | 20 1/2" | 18 9/16" | 25 3/4" | 15" x 20" x 1" | 2 | 28" x 28" | 87 |
| SIS-12DD | 32 3/8" | 24 5/8" | 13 7/16" | 15 5/8" | 8 3/8" | 9 15/32" | 9 15/32" | 25 3/8" | 21 9/16" | 30 3/4" | 20" x 25" x 1" & 16" x 25" x 1" | 1 & 1 | 32" x 32" | 117 |

* Curb size to be smaller than inside cabinet to allow for flashing and roofing.

** Includes filter section.



BI & BI-RM SERIES

BELT DRIVE UTILITY BLOWERS

DELHI BLOWERS



FEATURES - BI SERIES

- Complete range of sizes from 10" to 36".
- Full AMCA Class 1 Operation.
- Non-overloading backward inclined (BI) welded wheels.
- Aluminum wheel - (AMAC type B classification for spark resistant construction) - available as an option.
- Discharge position can be field rotated to any of 8 discharge positions.
- Counter clock wise rotation is standard. Clock wise available.
- Outlet flanges on models BI-24 to BI-36.
- Temperature Ratings - without a heat slinger 250° F with a heat slinger, steel wheel 400° F, aluminum wheel 300° F.
- Motor access from 3 sides.
- Sloped motor base for ease of motor installation.
- Vented motor and drive compartment cover, with handles, for safety & weather protection.
- 16 gauge or heavier blower housing.
- Heavy duty pillow block ball bearings.



Canarm certifies that the BI Series shown herein are licensed to bear the AMCA Seal. The ratings shown are based on tests and procedures performed in accordance with AMCA Publication 211 and comply with the requirements of the AMCA Certified Ratings Programme.



PERFORMANCE SPECIFICATIONS

| MODEL | TYPICAL MAXIMUM CFM @ SP | | | | | Max HP |
|-------|--------------------------|-------|-------|-------|-------|--------|
| | 1" SP | 2" SP | 3" SP | 4" SP | 5" SP | |
| BI-10 | 2300 | 2100 | 1700 | 1500 | 1300 | 2 |
| BI-12 | 3300 | 3000 | 2700 | 2400 | 2000 | 3 |
| BI-13 | 4000 | 3700 | 3400 | 3000 | 2600 | 5 |
| BI-15 | 4900 | 4600 | 4300 | 3700 | 3400 | 5 |
| BI-16 | 5800 | 5400 | 4900 | 4300 | 3700 | 7 1/2 |
| BI-18 | 7300 | 6800 | 6200 | 5600 | 4700 | 7 1/2 |
| BI-20 | 8500 | 8000 | 7200 | 6500 | 5200 | 7 1/2 |
| BI-22 | 10000 | 9700 | 9100 | 7900 | 6700 | 10 |
| BI-24 | 13000 | 12000 | 11000 | 10000 | 8000 | 15 |
| BI-27 | 16000 | 15000 | 14000 | 12500 | 11000 | 15 |
| BI-30 | 18000 | 1700 | 16000 | 14000 | 12000 | 15 |
| BI-33 | 23000 | 21000 | 19000 | 17000 | 15000 | 20 |
| BI-36 | 28000 | 26000 | 24000 | 22000 | 19000 | 25 |

Power rating (BHP) does not include transmission losses. Performance certified is for installation type B: Free inlet, Ducted outlet. Performance ratings do not include the effect of appurtenances (accessories).

CFM values listed above are summarized for convenience. For full performance CFM & SP consult Delhi's 'Delair' blower selection program or visit www.delhi-industries.com



Canarm certifies that the BI Series shown herein are licensed to bear the AMCA Seal. The ratings shown are based on tests and procedures performed in accordance with AMCA Publication 211 and comply with the requirements of the AMCA Certified Ratings Programme.



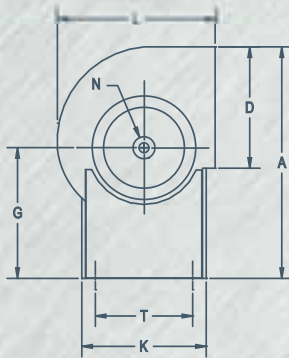
FEATURES - BI-RM SERIES

- UL 762 Listed for removal of cooking vapours.
- Meets NFPA 96 guidelines.
- Upblast discharge directs exhaust away from roof.
- Integral handles for single person removal of motor and drive compartment cover.
- Continuously welded 16 gauge or heavier blower housing.
- Bolted clean out door.
- 2" drain for easy removal of cleaning solutions.
- Complete range of sizes from 10" to 36".
- Vinyl shaft seal.

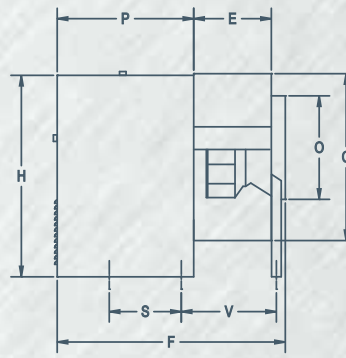
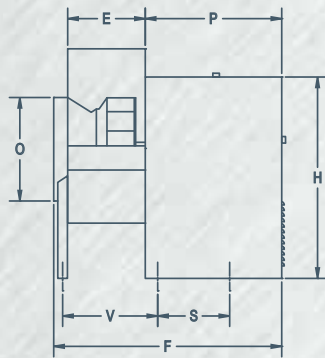
Motor and drive compartment with cover removed to illustrate 3 side motor access and sloped motor base for belt tensioning.



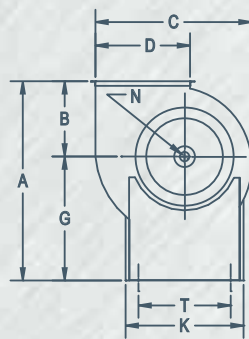
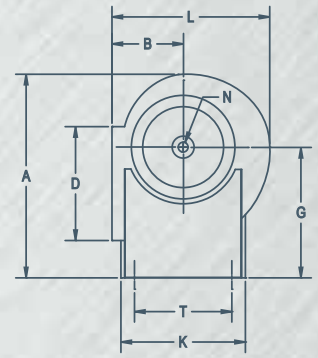
DIMENSIONS



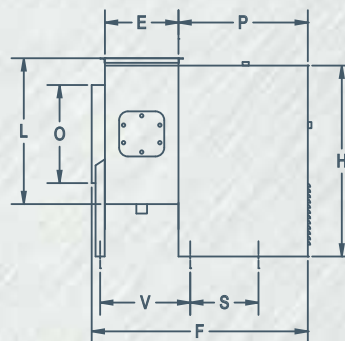
MODELS BI-10 TO BI-27
(STANDARD TOP HORIZONTAL DISCHARGE)



MODELS BI-30 TO BI-36
(STANDARD BOTTOM HORIZONTAL DISCHARGE)



MODELS BI-RM-10 TO BI-RM-27
(UL 762 LISTED FOR REMOVAL OF COOKING VAPOURS)



| MODEL | OUTLET | | | | | | | | | | | | | | | | | | UNIT WEIGHT (LBS) |
|-------|---------------------|------------------|-----------|-----------|----------|---------|----------------------------|----------|----------|-------------------|-----------|--------------|----------|-----------|----------|-----------|-----------|-----|-------------------|
| | A (STANDARD MODELS) | A (BI-RM MODELS) | B | C | D | E | F | G | H | K (CABINET WIDTH) | L | SHAFT DIA. N | O | P | S | T | V | | |
| BI-10 | 26 3/4" | 23 5/8" | 8 3/8" | 18 15/16" | 11 5/16" | 8 1/4" | 27 3/4" No Leg on BI-10 | 15 1/4" | 21 5/16" | 13 3/16" | 17 3/8" | 3/4" | 11" | 17 1/4" | 11 3/4" | 11 7/16" | -- | 78 | |
| BI-12 | 33 1/16" | 30 1/16" | 10" | 22 1/4" | 13" | 9 7/8" | 33 1/4" | 20 1/16" | 29 1/8" | 16 9/16" | 20 1/2" | 1" | 12 7/16" | 21 1/8" | 11 1/2" | 14 11/16" | 13 1/8" | 112 | |
| BI-13 | 34 5/16" | 30 13/16" | 10 3/4" | 24 1/2" | 14 3/8" | 10 3/4" | 34 1/8" | 20 1/16" | 29 1/8" | 16 9/16" | 22 1/2" | 1" | 14 3/8" | 21 1/8" | 11 1/2" | 14 11/16" | 14" | 134 | |
| BI-15 | 35 13/16" | 31 13/16" | 11 3/4" | 27" | 15 3/4" | 12" | 35 3/8" | 20 1/16" | 29 1/8" | 16 9/16" | 24 11/16" | 1" | 15 7/8" | 21 1/8" | 11 1/2" | 14 11/16" | 15 1/4" | 140 | |
| BI-16 | 39 3/8" | 34 11/16" | 12 11/16" | 29 7/8" | 17 5/8" | 13 1/8" | 36 1/2" | 22" | 31" | 16 9/16" | 26 7/8" | 1 3/16" | 17 3/8" | 21 1/8" | 11 1/2" | 14 11/16" | 16 3/8" | 162 | |
| BI-18 | 41 1/4" | 35 13/16" | 13 13/16" | 33" | 19 3/8" | 14 1/2" | 37 7/8" | 22" | 31" | 16 9/16" | 29 5/8" | 1 3/16" | 19 3/8" | 21 1/8" | 11 1/2" | 14 11/16" | 17 3/4" | 172 | |
| BI-20 | 49 1/8" | 42 15/16" | 14 15/16" | 36 1/4" | 21 1/4" | 15 3/4" | 46 7/16" | 28" | 40 7/8" | 25 1/4" | 32 1/4" | 1 3/16" | 21 1/4" | 27 11/16" | 14 5/8" | 22 3/4" | 19 3/4" | 289 | |
| BI-22 | 51 1/2" | 44 3/8" | 16 3/8" | 40 3/8" | 23 5/8" | 17 5/8" | 48 5/16" | 28" | 40 7/8" | 25 1/4" | 35 5/8" | 1 3/16" | 23 5/8" | 27 11/16" | 14 5/8" | 22 3/4" | 21 5/8" | 322 | |
| BI-24 | 57 7/8" | 49 13/16" | 17 13/16" | 44 3/8" | 26" | 19 3/8" | 51 5/16" | 32" | 46 1/2" | 28 15/16" | 39" | 1 7/16" | 26" | 28 15/16" | 18 5/16" | 25 1/2" | 23 3/8" | 385 | |
| BI-27 | 60 1/2" | 51 7/16" | 19 7/16" | 48 7/8" | 28 5/8" | 21 1/4" | 53 3/16" | 32" | 46 1/2" | 28 15/16" | 42 3/4" | 1 7/16" | 28 5/8" | 28 15/16" | 18 5/16" | 25 1/2" | 25 1/4" | 411 | |
| BI-30 | 65 15/16" | 68 3/16" | 24 7/8" | 54 7/16" | 31 3/4" | 23 5/8" | 57 5/8" | 43 5/16" | 64 3/4" | 43 3/8" | 50 3/4" | 1 11/16" | 31 3/4" | 32" | 17" | 41" | 28 9/16" | 517 | |
| BI-33 | 68 3/16" | 68 9/16" | 25 1/4" | 59 3/4" | 34 7/8" | 26" | 60" | 43 5/16" | 64 3/4" | 43 3/8" | 53 3/4" | 1 11/16" | 35" | 32" | 17" | 41" | 30 15/16" | 607 | |
| BI-36 | 70 15/16" | 68 15/16" | 25 1/2" | 66 1/16" | 38 5/8" | 28 3/4" | 62 3/4" | 43 7/16" | 64 3/4" | 43 3/8" | 57" | 1 15/16" | 38 3/4" | 32" | 17" | 41" | 33 11/16" | 747 | |

ACCESSORIES

- V-Cap
- Bolted Clean Out Door
- Heat Slinger
- Vibration Isolators
- Shaft Seal
- Corrosion Resistant Coating
- Aluminum Wheel
- Back Draft Dampers
- Inlet & Outlet Screens
- 2" Drain Fitting

For more information on Accessories, see page 19.



OPTIONS & ACCESSORIES

BACK DRAFT DAMPERS

- Fits the outlet of all 200, 400, 600, 9200 and BI Series Utility Blowers.
- Constructed of 16 ga. aluminum.
- Gravity activated.
- Easily field installed.

INLET SCREENS

- Fits all single inlet 400, 600 and BI Series Utility Blowers.
- Round inlet screens mount on the inlet collars of the blowers.
- Easily field installed.

OUTLET SCREENS

- Fits all single inlet 400, 600 and BI Series Utility Blowers.
- Rectangular outlet screens mount over the square outlet of the units.
- Easily field installed.

BOLTED CLEAN OUT DOOR

- Allows easy access for inspection and cleaning of the wheel & housing.
- A tight pattern of bolts holds the gasketed door in place on the curved face of the scroll shaped wheel housing.

HEAT SLINGER

- Cast aluminum disk with radial blades, split for easy field installation on the shaft between the housing and the inboard bearing.
- Can be used on Canarm/Delhi's BI/600/CMRE units.
- Provides protection for the bearing from excessive heat. The slinger dissipates heat from the shaft before reaching the bearing and increases the air flow across the inboard bearings.
- Good for a maximum of 400° Fahrenheit air stream temperature.

V CAP

- For BI upblast utility sets to reduce rain and snow entry.
- Easily field installed above the blower outlet.

DRAIN FITTING

- Large, 2" diameter threaded pipe fitting resists clogging.
- Can be connected to a drainage system if desired.
- Factory welded in place, prior to painting.

SHAFT SEAL

- Good for a maximum of 220° Fahrenheit.
- Prevents migration of fumes, grease vapors, dust etc from the airstream into the compartment housing motors, drives and bearings.
- Can be used on Canarm/Delhi's BI/600 Utility units.
- Easily field installed.
- Installed on the shaft between the bearing plate and back panel in the motor compartment.
- Constructed of 1/4" thick polyethylene for a good seal and resistance to many substances.

VIBRATION ISOLATORS RUBBER

- Set of 6 (4 on 10" model) rubber-in-shear isolators.
- Reduces vibration transmission to floors or roof surfaces.
- Suitable for indoor and outdoor use.

VIBRATION ISOLATORS SPRING

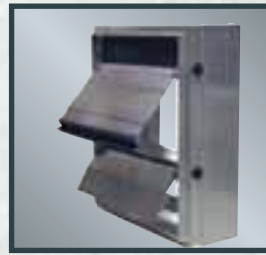
- Set of 6 (4 on 10" model) spring vibration isolators.
- Reduces vibration transmission to floors or roof surfaces.
- Suitable for indoor use only.

VIBRATION ISOLATORS OUTDOOR SPRING

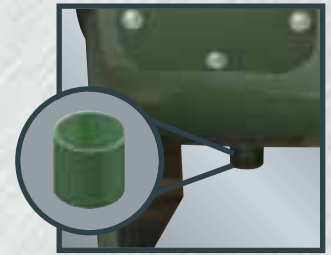
- Set of 6 (4 on 10" model) spring vibration isolators.
- Reduces vibration transmission to floors or roof surfaces.
- Designed for outdoor use. Housed to resist lateral motion from winds.

ALUMINUM WHEEL

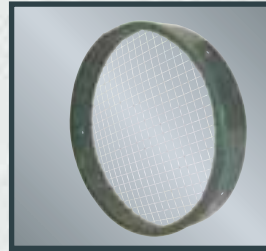
- For use with the BI & BI-RM series units.
- AMAC type B classification for spark resistant construction



BACK DRAFT DAMPER



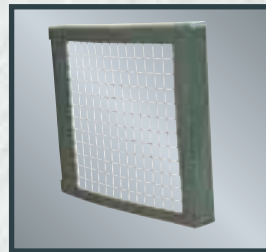
DRAIN FITTING



INLET SCREEN



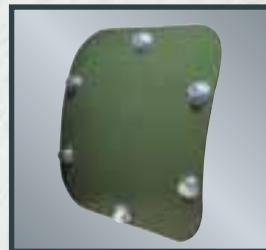
SHAFT SEAL



OUTLET SCREEN



VIBRATION ISOLATORS RUBBER



BOLTED CLEAN OUT DOOR



VIBRATION ISOLATORS SPRING



HEAT SLINGER



VIBRATION ISOLATORS OUTDOOR SPRING



V CAP



G-DD SERIES

CENTRIFUGAL, FORWARD CURVED,
DIRECT DRIVE DWDI BLOWERS

DELTA BLOWERS



**ALSO AVAILABLE IN GREEN SERIES.
SEE PAGE 11 OF PRICE BOOK FOR DETAILS.**



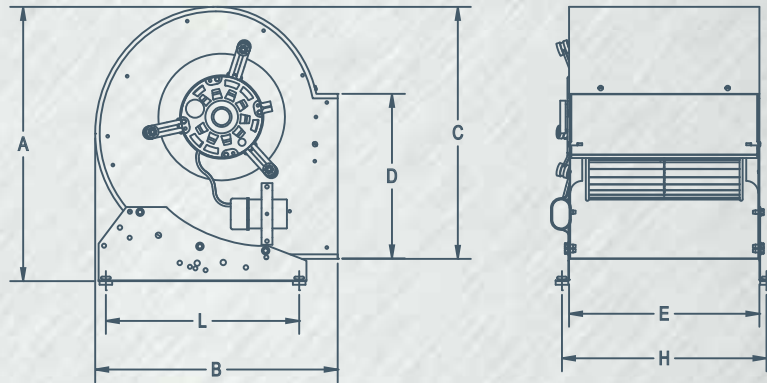
Heavy Duty
Resilient Mount
Motor Mounting Bracket

FEATURES

- 3 speed, 115V, PSC motor.
- Corrosion resistant G90 galvanized housing.
- Universal base for 4 position discharge.
- Heavy duty, resilient mount, motor mounting bracket.

PERFORMANCE SPECIFICATIONS

| MODEL - HP | STATIC PRESSURE - IN W.G. | | | | | | | | |
|--|---------------------------|------|------|------|------|------|------|------|-----|
| | 0.5 | 0.6 | 0.7 | 0.8 | 0.9 | 1.0 | 1.2 | 1.4 | 1.6 |
| CFM @ Medium Speed (see curves for High & Low speed performance) | | | | | | | | | |
| G9-7-DD-1/3 | -- | -- | 1148 | 1041 | 841 | -- | -- | -- | -- |
| G9-7-DD-1/2 | 1363 | 1270 | 1170 | 1045 | 865 | -- | -- | -- | -- |
| G9-DD-1/3 | -- | -- | 1213 | 1025 | 742 | -- | -- | -- | -- |
| G9-DD-1/2 | -- | 1444 | 1316 | 1172 | 979 | -- | -- | -- | -- |
| G10-8-DD-1/2 | -- | -- | -- | -- | 1372 | 1238 | -- | -- | -- |
| G10-8DD-3/4 | -- | -- | -- | -- | -- | 1535 | 800 | -- | -- |
| G10-DD-1/2 | -- | -- | -- | 1514 | 1335 | 1115 | -- | -- | -- |
| G10-DD-3/4 | -- | -- | 1665 | 1581 | 1486 | 1379 | 1000 | -- | -- |
| G12-9-DD-3/4 | -- | -- | -- | -- | -- | -- | 1358 | 1174 | 870 |
| G12-10-DD-3/4 | -- | -- | -- | -- | -- | -- | 1393 | 1102 | -- |



DIMENSIONS

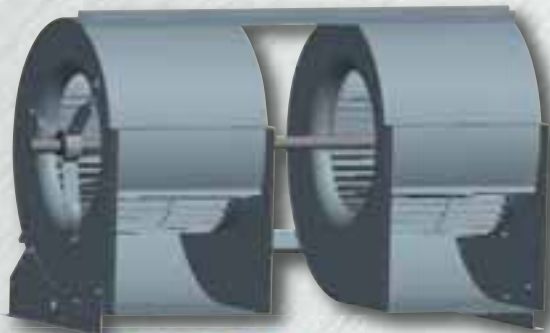
| MODEL - HP | A | B | C | D | E | H | L | UNIT WEIGHT (LBS) (without motor & drives) |
|---------------|-----------|----------|----------|----------|-----------|-----------|---------|--|
| G9-7-DD-1/3 | 16 15/16" | 15 1/16" | 15 9/16" | 10 1/4" | 9 3/16" | 10 3/16" | 11 3/4" | 33 |
| G9-7-DD-1/2 | 16 15/16" | 15 1/16" | 15 9/16" | 10 1/4" | 9 3/16" | 10 3/16" | 11 3/4" | 36 |
| G9-DD-1/3 | 16 15/16" | 15 1/16" | 15 9/16" | 10 1/4" | 11 13/16" | 12 13/16" | 11 3/4" | 37 |
| G9-DD-1/2 | 16 15/16" | 15 1/16" | 15 9/16" | 10 1/4" | 11 13/16" | 12 13/16" | 11 3/4" | 39 |
| G10-8-DD-1/2 | 19" | 16 3/4" | 17 3/8" | 11 3/8" | 10 1/2" | 11 1/2" | 13 3/8" | 40 |
| G10-8DD-3/4 | 19" | 16 3/4" | 17 3/8" | 11 3/8" | 10 1/2" | 11 1/2" | 13 3/8" | 41 |
| G10-DD-1/2 | 19" | 16 3/4" | 17 3/8" | 11 3/8" | 13 1/8" | 14 1/8" | 13 3/8" | 42 |
| G10-DD-3/4 | 19" | 16 3/4" | 17 3/8" | 11 3/8" | 13 1/8" | 14 1/8" | 13 3/8" | 45 |
| G12-9-DD-3/4 | 22 1/8" | 19 1/2" | 20 5/8" | 13 7/16" | 12 1/4" | 13 1/4" | 16 1/8" | 46 |
| G12-10-DD-3/4 | 22 1/8" | 19 1/2" | 20 5/8" | 13 7/16" | 13 1/8" | 14 1/8" | 16 1/8" | 47 |





FEATURES

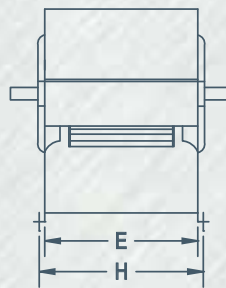
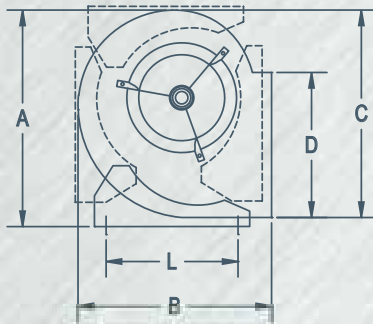
- Sleeve or ball bearing models available.
- Base feet can be mounted for various discharge positions.
- Motor mounting hardware included with each blower.
- Corrosion resistant galvanized blower housing.
- Capacity range 200 to 8000 CFM.
- The blower wheel has an exclusive centre disc which allows blowers to be used safely at speeds well above any normal requirement.
- Blower housings have extruded holes to give greater holding power for mounting base sides and motor bracket.
- Matte finish zinc coated wheel and cut-off baffle.
- Available with permanently lubricated sleeve bearings suitable for operation in ambient temperatures of +30 to +120 deg. F and under 1000 RPM OR Ball bearings with a sealed lifetime supply of lubricant for operation in ambient temperatures of -65 to +250 deg. F (optional).
- Shaft dimensions and finish are carefully controlled to ensure quiet, trouble free operation.
- Shafts for ball bearing models have keywayed ends. Sleeve bearing model shafts have flats.



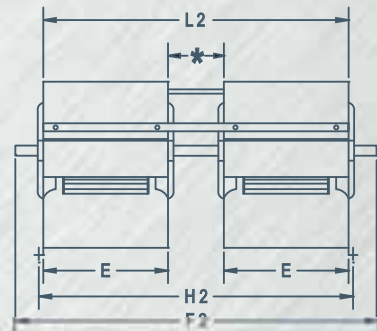
PERFORMANCE SPECIFICATIONS

| TYPICAL MAXIMUM CFM @ SP | | | | | |
|--------------------------|---------|-------|-----------|-------|-----------|
| MODEL | 1/2" SP | 1" SP | 1 1/2" SP | 2" SP | 2 1/2" SP |
| G7-5 | 1100 | 1000 | 950 | 875 | 825 |
| G7 | 3800 | 3700 | 3600 | 3500 | 3400 |
| G9-7 | 4400 | 4300 | 4200 | 4100 | 4000 |
| G9 | 5100 | 5000 | 4900 | 4800 | 4700 |
| G10-8 | 5200 | 5100 | 5000 | 4900 | 4800 |
| G10 | 6900 | 6800 | 6600 | 6400 | 6200 |
| G12-9 | 7600 | 7500 | 7300 | 7100 | 6900 |
| G12 | 8200 | 8000 | 7800 | 7600 | 7400 |
| G15-10 | 9000 | 8600 | 8400 | 8200 | 8000 |
| G15 | 12000 | 11500 | 11250 | 11000 | 10500 |
| G18-13 | 13300 | 12800 | 12300 | 12000 | 11700 |
| G18 | 18000 | 17000 | 16500 | 16000 | 15500 |

CFM values are listed above are summarized for convenience only. For full performance CFM, SP & HP, consult Delhi's 'Delair' blower selection program or visit www.delhi-industries.com.



"G" Series Twin Units - * Spacing will determine "L2" and "F2" dimensions.



| MODEL | A | B | C | D | E | H | L | SHAFT DIAMETER | WHEEL DIAMETER | WHEEL WIDTH | UNIT WEIGHT (LBS) (without motor & drives) |
|--------|-----------|-----------|-----------|----------|-----------|-----------|---------|----------------|----------------|-------------|--|
| G7-5 | 14 5/16" | 12 5/16" | 12 11/16" | 8 1/4" | 6 7/8" | 7 7/8" | 9 5/8" | 3/4" | 8 1/16" | 4 15/16" | 13 |
| G7 | 14 5/16" | 12 5/16" | 12 11/16" | 8 1/4" | 9 3/16" | 10 3/16" | 9 5/8" | 3/4" | 8 1/16" | 7 3/16" | 15 |
| G9-7 | 16 15/16" | 15 1/16" | 15 9/16" | 10 1/4" | 9 3/16" | 10 3/16" | 11 3/4" | 3/4" | 10 1/4" | 7 3/16" | 19 |
| G9 | 16 15/16" | 15 1/16" | 15 9/16" | 10 1/4" | 11 13/16" | 12 13/16" | 11 3/4" | 3/4" | 10 1/4" | 9 9/16" | 21 |
| G10-8 | 19" | 16 3/4" | 17 3/8" | 11 3/8" | 10 1/2" | 11 1/2" | 13 3/8" | 3/4" | 11 1/8" | 8 1/16" | 23 |
| G10 | 19" | 16 3/4" | 17 3/8" | 11 3/8" | 13 1/8" | 14 1/8" | 13 3/8" | 3/4" | 11 9/16" | 10 13/16" | 25 |
| G12-9 | 22 1/8" | 19 1/2" | 20 5/8" | 13 7/16" | 12 1/4" | 13 1/4" | 16 1/8" | 3/4" | 12 7/8" | 9 9/16" | 29 |
| G12 | 22 1/8" | 19 1/2" | 20 5/8" | 13 7/16" | 15 5/8" | 16 5/8" | 16 1/8" | 3/4" or 1" | 12 7/8" | 12 13/16" | 34 |
| G15-10 | 25 3/4" | 22 11/16" | 24 1/4" | 15 7/8" | 14 11/16" | 15 11/16" | 19 1/2" | 1" | 15 1/2" | 10 13/16" | 48 |
| G15 | 25 3/4" | 22 11/16" | 24 1/4" | 15 7/8" | 18 5/8" | 19 5/8" | 19 1/2" | 1" | 15 1/2" | 15 1/16" | 56 |
| G18-13 | 30 1/2" | 27" | 29" | 18 7/8" | 17 3/8" | 18 3/8" | 24" | 1" | 18 1/2" | 15 1/16" | 67 |
| G18 | 30 1/2" | 27" | 29" | 18 7/8" | 21 7/8" | 22 7/8" | 24" | 1" | 18 1/2" | 18 1/2" | 87 |

800 SERIES

DOUBLE WIDTH, DOUBLE INLET BLOWERS - WITH FRAME

FEATURES

- Features frame with spider bearing bracket mounts.
- Available sizes: 9", 10", 12", 15" and 18" wheel diameters.
- Keywayed shaft both ends.
- Universal Frame allows for choice of discharge position.
- Motor mounting hardware supplied.
- Ball bearings are permanently lubricated.
- Corrosion resistant galvanized blower housing.
- Available as single or twin assemblies.
- Matte finish zinc coated steel Delhi 'G' series full width wheel and cut-off baffle.
- Frame has green baked enamel finish.
- Insert ball bearings with resilient rings.
- Bearing brackets are attached with thread cutting screws driven into extruded housing holes (809) or attached with a bolt and locknut (810 through 818).
- Motor mounting bracket is attached to the blower frames on models 809 through 815 and is rated at 3 HP.
- Motor mounting bracket/motor plate assembly for 818 and 818-2 models is rated at 5 HP.
- Motor mounting and adjusting hardware is packed with each unit. Two adjusting leg sets are furnished with 815 and 818 models, one only with all others.
- Units individually cartoned or skidded for shipment.

PERFORMANCE SPECIFICATIONS

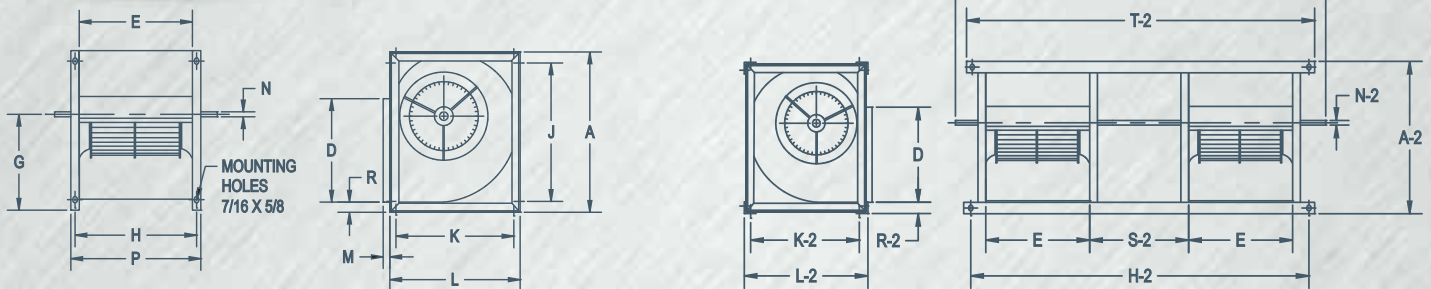
| MAXIMUM CFM @ SP | | | | | |
|------------------|---------|-------|-----------|-------|-----------|
| MODEL | 1/2" SP | 1" SP | 1 1/2" SP | 2" SP | 2 1/2" SP |
| 809 | 5100 | 5000 | 4900 | 4800 | 4700 |
| 810 | 6900 | 6800 | 6600 | 6400 | 6200 |
| 812 | 8200 | 8000 | 7800 | 7600 | 7400 |
| 815 | 12000 | 11500 | 11250 | 11000 | 10500 |
| 818 | 18000 | 17000 | 16500 | 16000 | 15500 |

CFM values are listed above are summarized for convenience only. For full performance CFM, SP & HP, consult Delhi's 'Delair' blower selection program or visit www.delhi-industries.com.

DIMENSIONS

800 SERIES

800-2 SERIES



800 SERIES

| MODEL | A | D | E | G | H | J | K | L | M | N | P | R | WHEEL DIAMETER | WHEEL WIDTH | UNIT WEIGHT (LBS) (without motor & drives) |
|-------|---------|----------|-----------|---------|-----------|---------|---------|---------|------|------|-----------|--------|----------------|-------------|--|
| 809 | 17 1/4" | 10 1/4" | 11 13/16" | 10 1/8" | 12 15/16" | 14 1/2" | 11 3/4" | 14 1/2" | 3/4" | 3/4" | 13 15/16" | 1 1/2" | 10 1/4" | 9 9/16" | 28 |
| 810 | 19 1/8" | 11 3/8" | 13 1/8" | 11 1/4" | 14 1/4" | 16 1/2" | 13 3/8" | 16 1/4" | 3/4" | 3/4" | 15 1/4" | 1 1/2" | 11 9/16" | 10 13/16" | 32 |
| 812 | 22 1/4" | 13 7/16" | 15 5/8" | 13" | 16 3/4" | 19 5/8" | 16 1/4" | 19" | 3/4" | 1" | 17 3/4" | 1 1/2" | 12 7/8" | 12 13/16" | 43 |
| 815 | 26" | 15 7/8" | 18 5/8" | 15 1/4" | 19 3/4" | 23 3/8" | 19 3/8" | 22 1/8" | 3/4" | 1" | 20 3/4" | 1 1/2" | 15 1/2" | 15 1/16" | 67 |
| 818 | 30 3/4" | 18 7/8" | 21 7/8" | 17 3/4" | 23 1/2" | 29" | 24 1/2" | 26 1/2" | 3/4" | 1" | 25" | 1 1/2" | 18 1/2" | 18 1/2" | 125 |

800-2 SERIES

| MODEL | A-2 | SHAFT LENGTH F-2 | 5/8 DIA. MOUNTING HOLES H-2 | 5/8 DIA. MOUNTING HOLES K-2 | L-2 | N-2 | R-2 | S-2 | T-2 | WEIGHT (LBS) (without motor & drives) |
|-------|---------|------------------|-----------------------------|-----------------------------|---------|------|----------|-----|---------|---------------------------------------|
| 809-2 | 17 5/8" | 39 1/2" | 36 5/8" | 13 3/8" | 14 7/8" | 3/4" | 1 11/16" | 9" | 38 3/8" | 95 |
| 810-2 | 19 1/2" | 44" | 40 1/4" | 15 1/8" | 16 5/8" | 3/4" | 1 11/16" | 10" | 42" | 112 |
| 812-2 | 22 5/8" | 51 1/2" | 47 1/4" | 17 7/8" | 19 3/8" | 1" | 1 11/16" | 12" | 49" | 130 |
| 815-2 | 26 3/8" | 61 3/8" | 56 1/4" | 21" | 22 1/2" | 1" | 1 11/16" | 15" | 58" | 195 |
| 818-2 | 31 1/8" | 72" | 66 3/4" | 25 1/2" | 27" | 1" | 1 3/4" | 18" | 68 1/2" | 302 |



DOUBLE WIDTH, DOUBLE INLET, FRAMED HEAVY DUTY BLOWERS - WITH PILLOW BLOCK BEARINGS

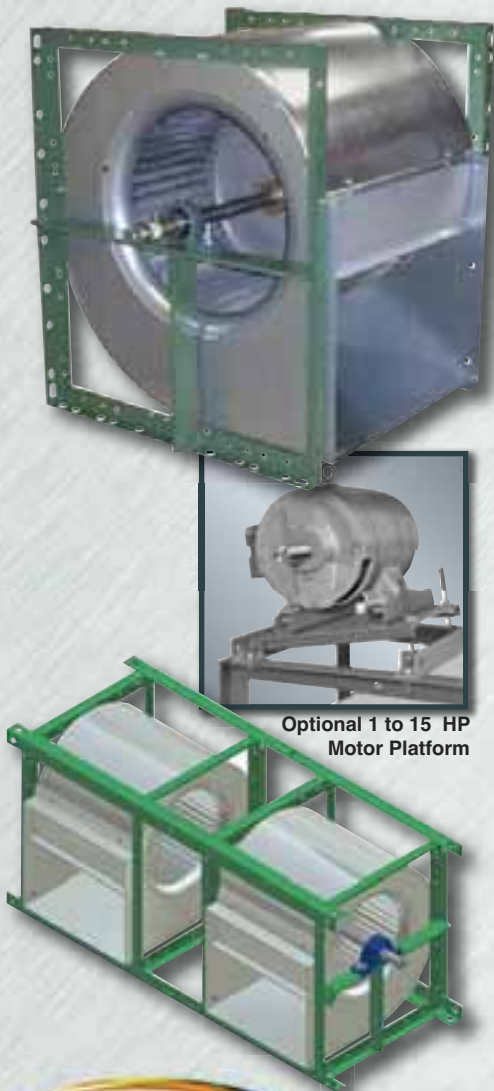
FEATURES

- Pillow block bearings mounted on "T" bar support.
- Corrosion resistant galvanized blower housing.
- Available as single and twin assemblies.
- All wheels capable of running at AMCA Class II operating conditions with appropriate shaft and bearings.
- Welded angular steel blower frames with T bar supports under bearings when used in bottom horizontal discharge (BHD) mounting position. Suitable for operation in top horizontal discharge (THD), upblast (UB) or downblast (DB) discharge position.
- Frames and bearing supports are baked powder coat finished.
- Pre-lubricated cast iron pillow block ball bearings with grease fitting suitable for operating in ambient temperatures from -30 to +230 degrees F.
- Shaft extensions keywayed both ends suitable for single or double groove pulleys.
- Corrosion inhibiting shaft coating.
- Units skidded for shipment.

PERFORMANCE SPECIFICATIONS

| TYPICAL MAXIMUM CFM @ SP - At Maximum Horsepower Rating | | | | | |
|---|---------|-------|-----------|-------|-----------|
| MODEL | 1/2" SP | 1" SP | 1 1/2" SP | 2" SP | 2 1/2" SP |
| 907 | 3800 | 3700 | 3600 | 3500 | 3400 |
| 909-7 | 4400 | 4300 | 4200 | 4100 | 4000 |
| 909 | 5100 | 5000 | 4900 | 4800 | 4700 |
| 910-8 | 5200 | 5100 | 5000 | 4900 | 4800 |
| 910 | 6900 | 6800 | 6600 | 6400 | 6200 |
| 912-9 | 7600 | 7500 | 7300 | 7100 | 6900 |
| 912 | 8200 | 8000 | 7800 | 7600 | 7400 |
| 913-10 | 9000 | 8600 | 8400 | 8200 | 8000 |
| 913 | 12000 | 11500 | 11250 | 11000 | 10500 |
| 918-13 | 13300 | 12800 | 12300 | 12000 | 11700 |
| 918 | 18000 | 17000 | 16500 | 16000 | 15500 |
| 920-18 | 17000 | 16250 | 15500 | 15000 | 14500 |
| 920 | 26000 | 25500 | 25000 | 24500 | 24000 |
| 922 | 30000 | 29500 | 28500 | 28000 | 27000 |
| 923 | 40000 | 39000 | 38000 | 37000 | 36000 |
| 927 | 48000 | 46000 | 45000 | 43000 | 42000 |
| 930 | 56000 | 54500 | 53000 | 51000 | 49000 |
| 933 | 72000 | 70000 | 69000 | 68000 | 66000 |
| 936 | 76000 | 75000 | 74000 | 72000 | 70000 |

CFM values are listed above are summarized for convenience only and based on 900 Series performance at maximum rate horsepower with largest available shaft size. For full performance CFM, SP & HP, consult Delhi's 'Delair' blower selection program or visit www.delhi-industries.com.

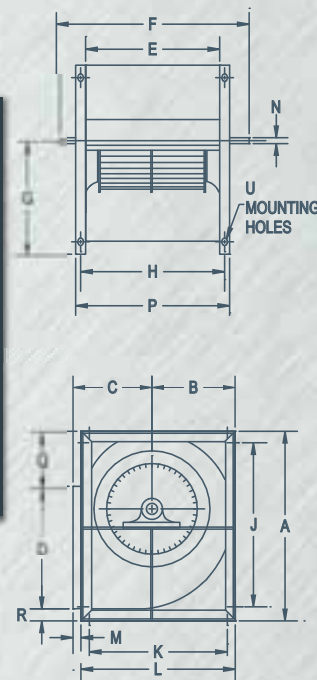


Optional 1 to 15 HP Motor Platform

DIMENSIONS

| MODEL | A | B | C | D | E | F (See Note) | G | H | J | K | L | M | N (See Note) | P | Q | R | U | UNIT WEIGHT (LBS) (without motor & drives) |
|--------|---------|-----------|-----------|-----------|-----------|--------------|----------|-----------|---------|-----------|-----------|--------|--------------|-----------|-----------|--------|------------|--|
| 907 | 14 3/8" | 6 7/16" | 6 1/16" | 8 1/4" | 9 3/16" | 17 3/16" | 8 5/8" | 10 3/8" | 11 5/8" | 9" | 11 3/4" | 3/4" | 3/4" | 11 3/8" | 4 5/8" | 1 1/2" | 7/16 x 5/8 | 22 |
| 909-7 | 17 1/4" | 7 15/16" | 7 5/16" | 10 1/4" | 9 3/16" | 17 3/16" | 10 1/8" | 10 3/8" | 14 1/2" | 11 3/4" | 14 1/2" | 3/4" | 3/4" | 11 3/8" | 5 1/2" | 1 1/2" | 7/16 x 5/8 | 27 |
| 909 | 17 1/4" | 7 15/16" | 7 5/16" | 10 1/4" | 11 13/16" | 19 13/16" | 10 1/8" | 12 15/16" | 14 1/2" | 11 3/4" | 14 1/2" | 3/4" | 3/4" | 13 15/16" | 5 1/2" | 1 1/2" | 7/16 x 5/8 | 32 |
| 910-8 | 19 1/8" | 9" | 8" | 11 3/8" | 10 1/2" | 18 1/2" | 11 1/4" | 11 5/8" | 16 1/2" | 13 3/8" | 16 1/4" | 3/4" | 3/4" | 12 5/8" | 6 1/4" | 1 1/2" | 7/16 x 5/8 | 35 |
| 910 | 19 1/8" | 9" | 8" | 11 3/8" | 13 1/8" | 21 5/8" | 11 1/4" | 14 1/4" | 16 1/2" | 13 3/8" | 16 1/4" | 3/4" | 1" | 15 1/4" | 6 1/4" | 1 1/2" | 7/16 x 5/8 | 43 |
| 912-9 | 22 1/4" | 10 5/8" | 9 1/8" | 13 7/16" | 12 1/4" | 20 3/4" | 13" | 13 3/8" | 19 5/8" | 16 1/4" | 19" | 3/4" | 1" | 14 3/8" | 7 5/16" | 1 1/2" | 7/16 x 5/8 | 48 |
| 912 | 22 1/4" | 10 5/8" | 9 1/8" | 13 7/16" | 15 5/8" | 24 1/8" | 13" | 16 3/4" | 19 5/8" | 16 1/4" | 19" | 3/4" | 1" | 17 3/4" | 7 5/16" | 1 1/2" | 7/16 x 5/8 | 59 |
| 915-10 | 26" | 12 9/16" | 10 5/16" | 15 7/8" | 14 11/16" | 23 3/16" | 15 1/4" | 15 13/16" | 23 3/8" | 19 3/8" | 22 1/8" | 3/4" | 1" | 16 13/16" | 8 5/8" | 1 1/2" | 7/16 x 5/8 | 62 |
| 915 | 26" | 12 9/16" | 10 5/16" | 15 7/8" | 18 5/8" | 27 1/8" | 15 1/4" | 19 3/4" | 23 3/8" | 19 3/8" | 22 1/8" | 3/4" | 1" | 20 3/4" | 8 5/8" | 1 1/2" | 7/16 x 5/8 | 76 |
| 918-13 | 30 3/4" | 14 15/16" | 12 3/8" | 18 7/8" | 17 3/8" | 27 1/8" | 17 3/4" | 19" | 29" | 24 1/2" | 26 1/2" | 3/4" | 1 3/16" | 20 1/2" | 10 3/8" | 1 1/2" | 7/16 x 5/8 | 120 |
| 918 | 30 3/4" | 14 15/16" | 12 3/8" | 18 7/8" | 21 7/8" | 34" | 17 3/4" | 23 1/2" | 29" | 24 1/2" | 26 1/2" | 3/4" | 1 3/16" | 25" | 10 3/8" | 1 1/2" | 7/16 x 5/8 | 115 |
| 920-18 | 38" | 18 5/16" | 14 7/16" | 24 3/4" | 22 3/4" | 35 1/4" | 22 9/16" | 24 1/4" | 32 1/4" | 25 1/2" | 31 1/4" | 1 1/2" | 1 3/16" | 26 3/4" | 11 1/4" | 2" | 5/8" | 202 |
| 920 | 38" | 18 5/16" | 14 7/16" | 24 3/4" | 24 3/4" | 37 1/4" | 22 9/16" | 26 1/4" | 32 1/4" | 25 1/2" | 31 1/4" | 1 1/2" | 1 3/16" | 28 3/4" | 11 1/4" | 2" | 5/8" | 202 |
| 922 | 41 1/2" | 20 1/16" | 15 11/16" | 27 1/4" | 27 1/4" | 39 3/4" | 24 5/8" | 28 3/4" | 35 3/4" | 28 1/2" | 34 1/4" | 1 1/2" | 1 3/16" | 31 1/4" | 12 1/4" | 2" | 5/8" | 226 |
| 925 | 46 3/4" | 22 5/8" | 17 1/4" | 31 1/4" | 31 1/4" | 43 3/4" | 27 3/4" | 32 3/4" | 41" | 32 3/4" | 38 3/8" | 1 1/2" | 1 3/16" | 35 1/4" | 13 1/2" | 2" | 5/8" | 276 |
| 927 | 51 1/2" | 25 1/16" | 19 1/8" | 34 1/4" | 34 1/4" | 50 1/4" | 30 1/4" | 35 3/4" | 46 1/2" | 37 11/16" | 42 11/16" | 1 1/2" | 1 11/16" | 38 1/4" | 15 1/4" | 2" | 5/8" | 400 |
| 930 | 55 1/2" | 27 1/16" | 20 5/16" | 36 3/4" | 36 3/4" | 52 3/4" | 32 5/8" | 38 1/4" | 50 1/2" | 40 7/8" | 45 7/8" | 1 1/2" | 1 11/16" | 40 3/4" | 16 3/4" | 2" | 5/8" | 505 |
| 933 | 59 3/4" | 29 1/8" | 24 5/8" | 42 15/16" | 39 3/4" | 58 3/4" | 34 1/4" | 41 3/4" | 54 3/4" | 47 1/4" | 52 1/4" | 1 1/2" | 2 3/16" | 43 3/4" | 14 13/16" | 2" | 5/8" | 610 |
| 936 | 59 3/4" | 29 1/8" | 24 5/8" | 42 15/16" | 42 3/4" | 61 3/4" | 34 1/4" | 44 3/4" | 54 3/4" | 47 1/4" | 52 1/4" | 1 1/2" | 2 3/16" | 46 3/4" | 14 13/16" | 2" | 5/8" | 685 |

NOTE: "F" Dimension may vary among optional shaft diameters. Standard shaft sizes shown. Larger diameter shafts available. All wheels can run safely at AMCA Class II operating conditions with appropriate shaft & bearings.



ACCESSORIES

- Models 907 to 915 - Motor mounting bracket with mounting and belt tension adjusting hardware.
- Models 912 to 936 - 1 to 15 HP motor platform with mounting hardware.
- Models 918 to 936 - 20 to 50 hp motor platform with mounting hardware.



BIDI SERIES

DOUBLE WIDTH, DOUBLE INLET BACKWARD INCLINED BLOWERS



Optional 1 to 15 HP
Motor Platform
(20-50 HP available)

FEATURES

- Welded backwardly inclined blades.
- Cold rolled steel housing with green, weather resistant, baked powder coat finish.
- Heavy, welded steel "U" channel frames with "T-bar" bearing supports for universal 4 way mounting.
- Detachable inlet venturi.
- Shafts have corrosion inhibiting coating and are keywayed both ends.
- High quality cast iron pillow block bearings with grease fittings for lubrication.

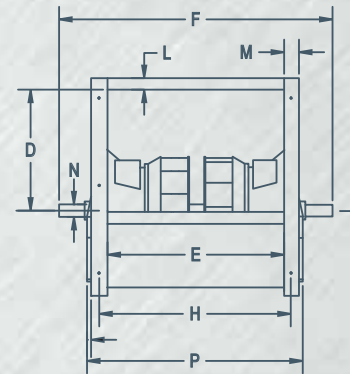
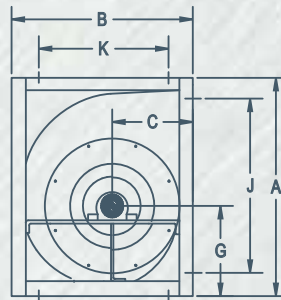
PERFORMANCE SPECIFICATIONS

| MODEL | TYPICAL CFM RANGE 0 TO 5 1/2" SP | TYPICAL MAXIMUM CFM @ SP | | | | | |
|---------|-------------------------------------|--------------------------|-------|-------|-------|-------|--------|
| | | 1" SP | 2" SP | 3" SP | 4" SP | 5" SP | MAX HP |
| BIDI-10 | 1500 - 4000 | 5000 | 4500 | 4000 | 3500 | 3000 | 7 1/2 |
| BIDI-12 | 2500 - 5500 | 6200 | 5800 | 5300 | 4800 | 4200 | 7 1/2 |
| BIDI-13 | 3000 - 6500 | 7300 | 6800 | 6200 | 5500 | 4600 | 7 1/2 |
| BIDI-15 | 3500 - 7500 | 8800 | 8200 | 7500 | 6700 | 5700 | 10 |
| BIDI-16 | 4000 - 9500 | 11000 | 10200 | 9400 | 5800 | 7400 | 15 |
| BIDI-18 | 5000 -11,000 | 13800 | 12900 | 11700 | 10600 | 8900 | 15 |
| BIDI-20 | 6000 -14,000 | 16300 | 15000 | 13700 | 12000 | 9800 | 15 |
| BIDI-22 | 8000 -17,000 | 19300 | 17900 | 16000 | 14100 | 11700 | 20 |
| BIDI-24 | 10,000 -21,000 | 24700 | 22800 | 20500 | 18000 | 15600 | 20 |
| BIDI-27 | 12,000 -25,000 | 29500 | 27300 | 24700 | 21700 | 18000 | 25 |

Power rating (BHP) does not include transmission losses. Performance certified is for installation type B: Free inlet, Ducted outlet. Performance ratings do not include the effect of appurtenances (accessories).



Canarm certifies that the BIDI Series shown herein are licensed to bear the AMCA Seal. The ratings shown are based on tests and procedures performed in accordance with AMCA Publication 211 and comply with the requirements of the AMCA Certified Ratings Programme.



DIMENSIONS

| MODEL | OUTLET | | | | | | | | | | | | | | UNIT WEIGHT (LBS) (without motor & drives) |
|---------|-----------|----------|----------|---------|---------|---------|-----------|---------|---------|---------|--------|----|----------|---------|--|
| | A | B | C | D | E | F | G | H | J | K | L | M | N | P | |
| BIDI-10 | 21 1/2" | 19 3/8" | 8 13/16" | 11 1/4" | 16 5/8" | 29 1/4" | 8 1/4" | 18 1/4" | 14 1/8" | 14 1/8" | 1 7/8" | 2" | 1 3/16" | 21 3/4" | 110 |
| BIDI-12 | 25 1/16" | 21 3/16" | 10" | 13" | 18 1/2" | 31 3/4" | 9 13/16" | 20" | 14 1/8" | 14 1/8" | 2" | 2" | 1 7/16" | 24 1/8" | 138 |
| BIDI-13 | 27 1/8" | 23" | 10 3/4" | 14 3/8" | 19 1/8" | 31 3/4" | 10 3/4" | 20 3/4" | 21 1/8" | 17" | 2" | 2" | 1 7/16" | 24 1/4" | 149 |
| BIDI-15 | 29 13/16" | 25 5/16" | 11 3/4" | 15 3/4" | 21 3/8" | 34" | 11 13/16" | 23" | 21 1/8" | 17" | 2" | 2" | 1 7/16" | 28 1/2" | 177 |
| BIDI-16 | 32 5/8" | 27 1/2" | 12 3/4" | 17 5/8" | 23 1/2" | 37 5/8" | 13" | 25 1/8" | 26 5/8" | 21 1/2" | 2" | 2" | 1 11/16" | 28 5/8" | 215 |
| BIDI-18 | 35 3/4" | 30 1/8" | 13 7/8" | 19 3/8" | 25 3/4" | 39 7/8" | 14 3/8" | 27 3/8" | 29 3/4" | 24 1/8" | 2" | 2" | 1 11/16" | 30 7/8" | 237 |
| BIDI-20 | 39" | 32 7/8" | 15" | 21 1/4" | 28" | 42 1/8" | 15 3/4" | 29 5/8" | 33" | 26 7/8" | 2" | 2" | 1 11/16" | 33 1/8" | 273 |
| BIDI-22 | 43 1/8" | 36 1/8" | 16 3/8" | 23 5/8" | 31 1/8" | 46 3/4" | 17 3/8" | 33 1/4" | 40 1/8" | 33 1/8" | 2" | 3" | 2 3/16" | 37 1/4" | 421 |
| BIDI-24 | 47 1/8" | 39 5/8" | 17 7/8" | 26 1/8" | 34 1/8" | 49 3/4" | 19 1/8" | 36 1/4" | 44 1/8" | 36 5/8" | 2" | 3" | 2 3/16" | 40 1/4" | 490 |
| BIDI-27 | 51 5/8" | 43 3/8" | 19 1/2" | 28 5/8" | 37 3/4" | 53 3/8" | 21" | 39 7/8" | 48 5/8" | 40 3/8" | 2" | 3" | 2 3/16" | 43 7/8" | 565 |

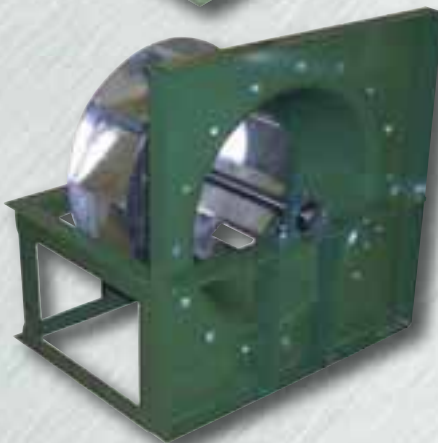
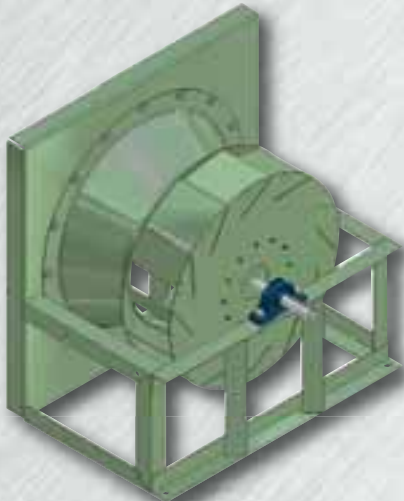
OPTIONS

- 1-15 HP motor platform
- 20-50 HP motor platform





Direct Drive Plenum Fan Option Now Available. Consult factory for details.



FEATURES

- Rigid welded angle iron frame construction.
- Full Class II capability.
- Min L10 bearing life of 35,000 hrs (average - L50 bearing life of 175,000 hrs).
- Standard welded backwardly inclined flat blade wheel for DPL-12 to DPL-36 (Aluminum available as option).
- 18" to 36" diameter wheels.
- Standard welded aluminum backward inclined airfoil wheel for DPL-30-AF to DPL-36-AF.



Canarm certifies that the DPL Series shown herein are licensed to bear the AMCA Seal. The ratings shown are based on tests and procedures performed in accordance with AMCA Publications 211 & 311 and comply with the requirements of the AMCA Certified Ratings Programme.

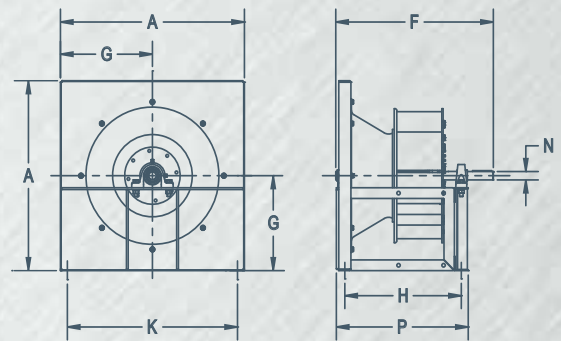
PERFORMANCE SPECIFICATIONS

| MODEL | 1" SP | | 3" SP | | 5" SP | | 7" SP | | 9" SP | |
|--------------------|-------|--------|-------|--------|-------|--------|-------|--------|-------|--------|
| | DPL | DPL-AF | DPL | DPL-AF | DPL | DPL-AF | DPL | DPL-AF | DPL | DPL-AF |
| DPL-12 | 4300 | -- | 4000 | -- | 3600 | -- | 3000 | -- | -- | -- |
| DPL-13 | 5200 | -- | 4700 | -- | 4000 | -- | 3000 | -- | -- | -- |
| DPL-15 | 5900 | -- | 5200 | -- | 4200 | -- | 2800 | -- | -- | -- |
| DPL-16 | 7600 | -- | 6800 | -- | 5700 | -- | 4200 | -- | -- | -- |
| DPL-18 & DPL-AF-18 | 7200 | 9500 | 6400 | 8500 | 2400 | 7500 | -- | 6500 | -- | 4300 |
| DPL-20 & DPL-AF-20 | 8800 | 11500 | 7600 | 10500 | 5200 | 9000 | -- | 7200 | -- | 5000 |
| DPL-22 & DPL-AF-22 | 12000 | 14500 | 9500 | 13000 | 4500 | 11000 | -- | 9000 | -- | 7000 |
| DPL-24 & DPL-AF-24 | 14000 | 16000 | 12500 | 14000 | 8000 | 12000 | -- | 9000 | -- | 6500 |
| DPL-27 & DPL-AF-27 | 16000 | 20000 | 14000 | 17000 | 9000 | 15000 | -- | 11500 | -- | 8000 |
| DPL-30 & DPL-AF-30 | 20000 | 25000 | 18000 | 22000 | 12000 | 18000 | -- | 15000 | -- | 10000 |
| DPL-33 & DPL-AF-33 | 26000 | 31000 | 22000 | 28000 | 16000 | 24000 | -- | 20000 | -- | 16000 |
| DPL-36 & DPL-AF-36 | 30000 | 38000 | 26000 | 32000 | 20000 | 26000 | -- | 20000 | -- | 15000 |

Power rating (BHP) does not include transmission losses. Performance certified is for installation type B: Free inlet, Ducted outlet. Performance ratings do not include the effect of appurtenances (accessories).

DIMENSIONS

| MODEL | A | F | G | H | K | N | P | UNIT WEIGHT (LBS) (without motor & drives) |
|--------------------|-----------|-----------|-----------|-----------|-----------|----------|-----------|--|
| DPL-12 | 18 3/4" | 17 5/8" | 9 3/8" | 12 1/2" | 16 3/4" | 1" | 14 1/8" | 51 |
| DPL-13 | 20 5/8" | 17 5/8" | 10 5/16" | 12 1/2" | 18 5/8" | 1" | 14 1/8" | 57 |
| DPL-15 | 22 15/16" | 18 5/8" | 11 15/32" | 13 1/2" | 20 15/16" | 1" | 15 1/8" | 68 |
| DPL-16 | 24" | 20 1/8" | 12" | 14-1/2" | 22" | 1 3/16" | 16 1/8" | 80 |
| DPL-18 & DPL-AF-18 | 26 9/16" | 22 3/4" | 13 9/32" | 16 13/16" | 24 9/16" | 1 3/16" | 19 1/16" | 91 |
| DPL-20 & DPL-AF-20 | 29 1/16" | 24 1/16" | 14 17/32" | 18 1/16" | 27 1/16" | 1 3/16" | 20 5/16" | 104 |
| DPL-22 & DPL-AF-22 | 31" | 27 1/16" | 15 1/2" | 20 7/16" | 29" | 1 7/16" | 22 15/16" | 148 |
| DPL-24 & DPL-AF-24 | 34 1/8" | 28 5/8" | 17 1/16" | 22" | 32 1/8" | 1 7/16" | 24 1/2" | 185 |
| DPL-27 & DPL-AF-27 | 37 5/8" | 30 7/16" | 18 13/16" | 23 13/16" | 35 5/8" | 1 7/16" | 26 5/16" | 205 |
| DPL-30 & DPL-AF-30 | 40" | 34" | 20" | 26 3/8" | 38" | 1 11/16" | 29 3/16" | 248 |
| DPL-33 & DPL-AF-33 | 44" | 36 15/16" | 22" | 28 3/8" | 42" | 1 15/16" | 31 3/16" | 306 |
| DPL-36 & DPL-AF-36 | 48 11/16" | 39" | 24 11/32" | 30 7/8" | 46 11/16" | 1 15/16" | 33 11/16" | 357 |



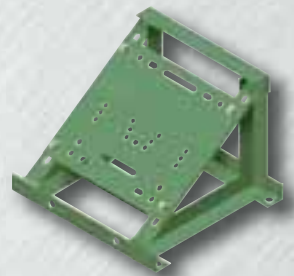
OPTIONS

- Vibration Isolators
- Motor base with platform

MOTOR BASE & PLATFORM

- Can be bolted directly to the side of the Plenum fan frame (2 locations) or secured to the base of the air handler.
- Sliding platform provides convenient belt tension adjustment.

| WHEEL DIAMETERS | MOTOR PLATFORM | |
|-----------------|----------------|----------------|
| | MAX HP | MAX FRAME SIZE |
| 12" TO 20" | 10 | 215T |
| 22" TO 27" | 15 | 254T |
| 30" TO 36" | 30 | 286T |



D500 SERIES

DIRECT DRIVE UTILITY BLOWERS



FEATURES

- Designed for easy installations in common applications requiring moderate air quantities (up to 650 CFM) in low static systems (up to .75" W.G.).
- Available in CCW rotation only (as viewed from motor side).
- Use WM-13M solid state motor speed control to reduce CFM on Models D503 to D506.
- Use 3 speed selector for Low, Medium & High speed on D507.
- Ideal for applications where low noise levels are a "must" since the motor is out of the air stream and the blower can be remotely located.

PERFORMANCE SPECIFICATIONS

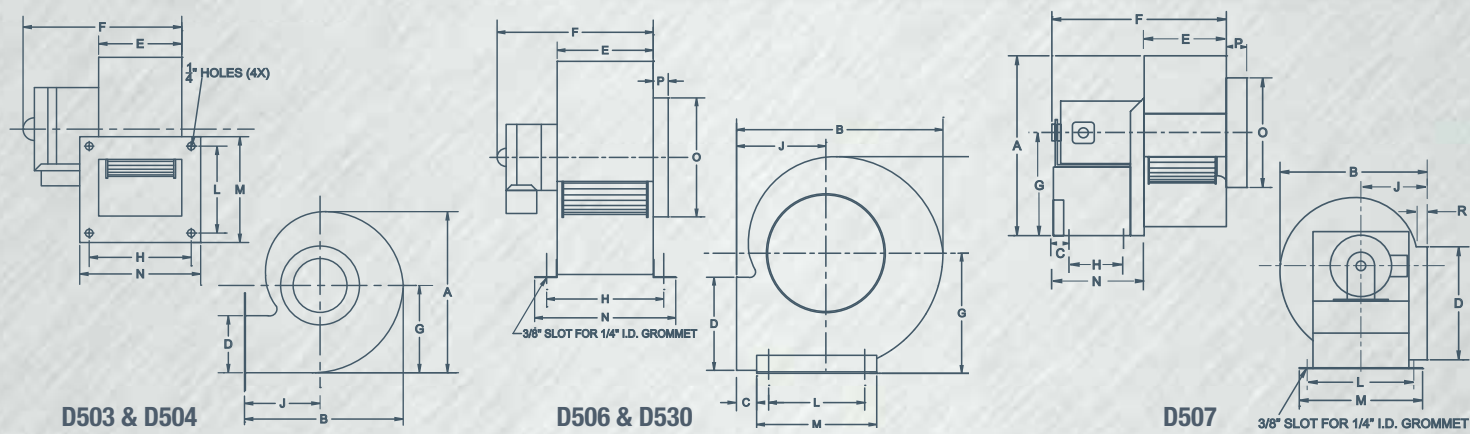
| TYPICAL MAXIMUM CFM @ SP | | | | | | |
|--------------------------|---------|---------|------|------|------|------|
| MODEL | 1/8" SP | 1/4" SP | 3/8" | 1/2" | 5/8" | 3/4" |
| D503 | 65 | 60 | 60 | -- | -- | -- |
| D504 | 120 | 100 | -- | -- | -- | -- |
| D530 | 230 | 210 | 190 | 160 | -- | -- |
| D506 | 375 | 355 | 335 | 315 | 280 | 240 |
| D507 - LOW | 410 | 375 | 340 | 315 | 225 | -- |
| D507 - MED | 495 | 460 | 390 | 355 | 300 | -- |
| D507 - HIGH | 640 | 570 | 470 | 405 | 350 | -- |

MODEL FEATURES

| FEATURES | D503 | D504 | D530 | D506 | D507 |
|---|------|------|------|------|------|
| 115V, 60 Hz CSA approved single speed shaded pole motor, continuous duty, suitable for use with WM-13 speed controller. | • | • | • | • | |
| 115V, 60 Hz CSA approved 3 speed resilient mount PSC BALL BEARING motor. | | | | | • |
| Lubricated bearings - no further lubrication required. | • | • | • | • | • |
| Built in automatic reset thermal protector. | • | • | • | • | • |
| Mount in horizontal or vertical position. | • | • | • | • | • |
| Plate housing on base for any of 8 discharge positions, keeping shaft horizontal. | | | | | • |
| Conduit wiring box. | • | • | • | • | • |
| Wet screen standard. | • | | | | |
| Flange collar inlet. | | | • | • | • |
| Flanged outlet. | • | • | | | |
| Outlet operating forwardly curved zinc coated blower wheel. | • | • | • | • | • |
| Base slotted for 4 rubber blower feet. | | | • | • | • |
| Flanged steel blower housings with baked green enamel finish. | • | • | • | • | • |
| Motor side access plate for motor and wheel servicing removal. | • | • | • | • | • |



DIMENSIONS



| MODEL | MOTOR RPM | A | B | D | E | F | H | L | M | N | O | UNIT WEIGHT (LBS) (without motor & drives) |
|-------|-----------|---------|---------|--------|--------|---------|--------|--------|--------|--------|--------|---|
| D503 | 3000 | 6 1/8" | 5 1/4" | 1 7/8" | 2 3/4" | 5 1/4" | 3 3/8" | 2 7/8" | 3 1/2" | 4" | -- | 3 |
| D504 | 1300 | 8 3/8" | 7 1/8" | 2 3/4" | 3 3/4" | 6" | 4 3/4" | 3 3/4" | 4 1/4" | 5 1/4" | -- | 4 |
| D530 | 1550 | 9 3/4" | 9 1/8" | 3 7/8" | 4" | 8 1/4" | 4 7/8" | 5" | 6" | 5 7/8" | 4 7/8" | 8 |
| D506 | 1520 | 10 5/8" | 9 3/4" | 3 3/4" | 5 1/4" | 11 1/8" | 6 1/8" | 5" | 6" | 7 1/8" | 5 7/8" | 13 |
| D507 | 1050 | 13 1/8" | 12 1/4" | 8 1/4" | 6" | 14" | 5" | 8" | 9" | 6 5/8" | 7 7/8" | 24 |

OPTIONS

MOTOR SPEED CONTROL
MODELS D503, D504, D530, D506 - Use a # WM-13M (Part # 8890016) solid state control to lower the motor speed and reduce the air flow up to the % of full capacity listed: **D503 - 30%** **D530 - 45%** **D504 - 45%** **D506 - 55%**
MODELS D507 - Use a 3 speed switch to select High (1050 RPM), Medium (850 RPM) or Low (740 RPM) operation.



For high static applications.
Ideal for moving non-abrasive particles such as dust or fume exhaust.



FEATURES

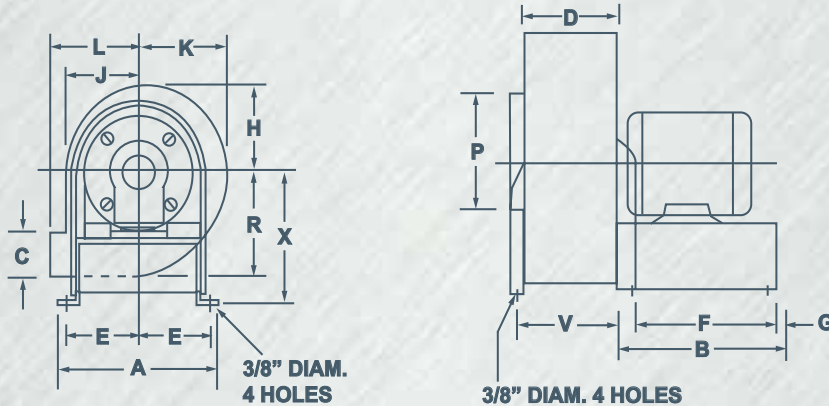
- Wheels are constructed of heavy cast aluminum with straight radial blades.
- Wheels are self cleaning, dynamically balanced and designed for efficient operations.
- Welded 16 gauge steel housings and motor bases.
- TEFC motors are standard.
- Comes as clockwise rotation, bottom horizontal discharge (can be rotated at 45°+ increments).

PERFORMANCE SPECIFICATIONS

| MODEL | | | H.P. | MOTOR FRAME | RPM | CFM @ STATIC PRESSURE | | | | | | | | | | | | | | dBA @ 5 FT | | | |
|---|----------------------------|--------------------|------|-------------|------|-----------------------|------|------|--------|------|--------|------|--------|-----|------|------|------|------|------|------------|-----|-----|-----|
| SINGLE PHASE | THREE PHASE 208/230/460 | THREE PHASE 575 | | | | 1/4" | 1/2" | 1" | 1 1/2" | 2" | 2 1/2" | 3" | 3 1/2" | 4" | 5" | 6" | 7" | 8" | 9" | | 10" | 11" | 12" |
| PW-08S | PW0-08M | PW-08P | 1/3 | 56 | 3600 | 283 | 274 | 256 | 237 | 216 | 192 | 165 | 129 | 70 | -- | -- | -- | -- | -- | -- | 74 | | |
| PW-09S | PW0-09M | PW-09P | 3/4 | 56 | 3600 | 475 | 465 | 445 | 423 | 399 | 374 | 346 | 316 | 282 | 195 | -- | -- | -- | -- | -- | 77 | | |
| PW-11S | PW-11M | PW-11P | 1.5 | 786 | 3600 | 786 | 772 | 746 | 719 | 692 | 664 | 635 | 606 | 575 | 508 | 431 | 329 | -- | -- | -- | 84 | | |
| PW-12S | PW-12M | PW-12P | 3 | 182T | 3600 | 1185 | 1171 | 1145 | 1117 | 1090 | 1062 | 1033 | 1004 | 974 | 911 | 842 | 765 | 672 | 549 | -- | 90 | | |
| PW-14S | PW-14M | PW-14P | 5 | 182T | 3600 | -- | -- | -- | -- | -- | -- | -- | -- | -- | 1685 | 1587 | 1482 | 1367 | 1236 | 1081 | 874 | 474 | 92 |
| MODEL PW: EXPLOSION PROOF DIRECT DRIVE PRESSURE BLOWERS | | | | | | | | | | | | | | | | | | | | | | | |
| PW-08SX | PW0-08MX | -- | 1/3 | 56 | 3600 | 283 | 274 | 256 | 237 | 216 | 192 | 165 | 129 | 70 | -- | -- | -- | -- | -- | -- | 74 | | |
| PW-09SX | PW0-09MX | -- | 3/4 | 56 | 3600 | 475 | 465 | 445 | 423 | 399 | 374 | 346 | 316 | 282 | 195 | -- | -- | -- | -- | -- | 77 | | |
| PW-11SX | PW-11MX | -- | 1.5 | 786 | 3600 | 786 | 772 | 746 | 719 | 692 | 664 | 635 | 606 | 575 | 508 | 431 | 329 | -- | -- | -- | 84 | | |
| PW-12SX | PW-12MX | PW-12PX | 3 | 182T | 3600 | 1185 | 1171 | 1145 | 1117 | 1090 | 1062 | 1033 | 1004 | 974 | 911 | 842 | 765 | 672 | 549 | -- | 90 | | |
| PW-14SX | PW-14MX | PW-14PX | 5 | 182T | 3600 | -- | -- | -- | -- | -- | -- | -- | -- | -- | 1685 | 1587 | 1482 | 1367 | 1236 | 1081 | 874 | 474 | 92 |

* Fan should not be run at static pressure less than shown in above table, motor overload will result.
dBA ratings shown are measured at 0" static pressure, and should be used as a guideline only.

DIMENSIONS



| BLOWER | WHEEL | A | B | C | D | E | F | G | H | J | K | L | P | R | X | V |
|--------|------------------|---------|---------|--------|--------|--------|--------|------|---------|--------|---------|--------|----|---------|---------|--------|
| PW-08 | 7 3/4" x 2 1/4" | 11" | 8" | 3" | 3" | 5" | 7" | 1/2" | 5 3/8" | 4 7/8" | 5 7/8" | 5 7/8" | 4" | 6 5/8" | 9" | -- |
| PW-09 | 9" x 2 3/4" | 12 1/8" | 8" | 3 1/2" | 3 1/2" | 5 5/8" | 7" | 1/2" | 3 3/8" | 5 3/4" | 6 7/8" | 6 3/4" | 5" | 7 1/2" | 9 7/8" | -- |
| PW-11 | 10 5/8" x 3" | 14 3/4" | 9" | 4" | 3 1/2" | 6 7/8" | 7 1/2" | 3/4" | 7 1/4" | 6 1/2" | 8" | 7 5/8" | 5" | 8 5/8" | 11 3/4" | -- |
| PW-12 | 12 1/2" x 3" | 17" | 11 1/4" | 5" | 4" | 8" | 9 3/4" | 3/4" | 8 1/4" | 7 1/2" | 9" | 9 5/8" | 7" | 10" | 10 5/8" | -- |
| PW-14 | 13 1/2" x 4 3/8" | 17 5/8" | 11 1/4" | 7 1/8" | 5 3/4" | 8" | 9 3/4" | 1" | 10 5/8" | 9 5/8" | 11 3/8" | 11" | 8" | 11 1/2" | 12 5/8" | 7 1/4" |

KE SERIES

DIRECT DRIVE RADIAL BLADE BLOWERS



For high static applications or greenhouse inflation or exhaust.
Ideal for environments where air is laden with dust, grit or any other light weight foreign material.



FEATURES

- Wheels are constructed of heavy cast aluminum with straight radial blades.
- Wheels are self cleaning, dynamically balanced and designed for efficient operations.
- Welded 16 gauge steel housings and motor bases.
- TEFC motors are standard.
- Comes as clockwise rotation, bottom horizontal discharge (can be rotated at 45° increments).

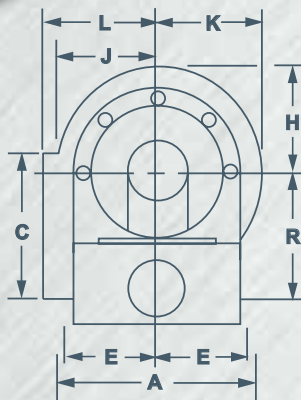
PERFORMANCE SPECIFICATIONS

| MODEL | | | H.P. | MOTOR FRAME | HPW | CFM @ STATIC PRESSURE | | | | | | | | | | | | | | dBA @ 5 FT |
|--|-------------------------|-----------------|------|-------------|------|-----------------------|------|------|------|------|------|------|------|--------|--------|--------|------|--------|----|------------|
| SINGLE PHASE | THREE PHASE 208/230/460 | THREE PHASE 575 | | | | 0" | 1/8" | 1/4" | 3/8" | 1/2" | 5/8" | 3/4" | 1" | 1 1/4" | 1 1/2" | 1 3/4" | 2" | 2 1/4" | | |
| KE-08S | KE-08M | KE-08P | 1/3 | 56 | 1750 | 550 | 510 | 470 | 425 | 365 | 275 | 150 | -- | -- | -- | -- | -- | 64 | | |
| KE-09S | KE-09M | KE-09P | 1/3 | 56 | 1750 | 880 | 825 | 765 | 705 | 635 | 565 | 480 | 200 | -- | -- | -- | -- | 69 | | |
| KE-11S | KE-11M | KE-11P | 1/2 | 56 | 1750 | 1430 | 1380 | 1335 | 1275 | 1225 | 1165 | 1100 | 945 | 730 | 430 | -- | -- | 75 | | |
| KE-12S | KE-12M | KE-12P | 1 | 56 | 1750 | 2375 | 2300 | 2220 | 2140 | 2060 | 1975 | 1890 | 1700 | 1485 | 1185 | 750 | 350 | -- | 79 | |
| KE-14S | KE-14M | KE-14P | 2 | 145T | 1750 | 3420 | 3325 | 3230 | 3125 | 3025 | 2925 | 2820 | 2595 | 2350 | 2045 | 1620 | 1010 | 640 | 81 | |
| MODEL KE: EXPLOSION PROOF DIRECT DRIVE RADIAL BLADE BLOWERS | | | | | | | | | | | | | | | | | | | | |
| KE-08SX | KE-08MX | KE-08PX | 1/3 | 56 | 1750 | 550 | 510 | 470 | 425 | 365 | 275 | 150 | -- | -- | -- | -- | -- | 64 | | |
| KE-09SX | KE-09MX | KE-09PX | 1/3 | 56 | 1750 | 880 | 825 | 765 | 705 | 635 | 565 | 480 | 200 | -- | -- | -- | -- | 69 | | |
| KE-11SX | KE-11MX | KE-11PX | 1/2 | 56 | 1750 | 1430 | 1380 | 1335 | 1275 | 1225 | 1165 | 1100 | 945 | 730 | 430 | -- | -- | 75 | | |
| KE-12SX | KE-12MX | KE-12PX | 1 | 56 | 1750 | 2375 | 2300 | 2220 | 2140 | 2060 | 1975 | 1890 | 1700 | 1485 | 1185 | 750 | 350 | -- | 79 | |
| KE-14SX | KE-14MX | KE-14PX | 2 | 145T | 1750 | 3420 | 3325 | 3230 | 3125 | 3025 | 2925 | 2820 | 2595 | 2350 | 2045 | 1620 | 1010 | 640 | 81 | |

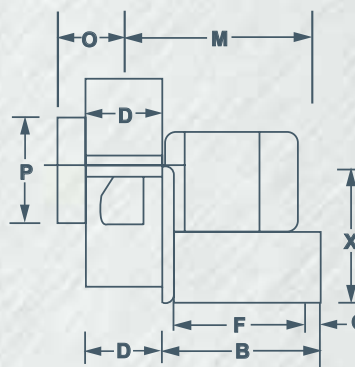
dBA ratings shown are measured at 0" static pressure, and should be used as a guideline only.

DIMENSIONS

Clockwise rotation, bottom horizontal discharge shown.



Mounting holes are 3/8" diameter on all models up to KE-11 and 9/16" on the KE-12 and KE-14.



| BLOWER | WHEEL | A | B | C | D | E | F | G | H | J | K | L | M* | O | P | R | X |
|--------|------------------|---------|---------|---------|---------|--------|--------|------|---------|--------|---------|---------|----------|---------|---------|---------|---------|
| KE-08 | 7 3/4" x 4" | 11" | 8" | 8 1/4" | 5 3/8" | 5" | 7" | 1/2" | 6" | 4 5/8" | 6 3/4" | 6 7/8" | 10 3/4" | 3 3/4" | 8" | 8" | 8 1/2" |
| KE-09 | 9" x 5" | 12 1/8" | 8" | 10 3/4" | 6 1/2" | 5 5/8" | 7" | 1/2" | 6 3/4" | 5 5/8" | 7 3/4" | 7 1/8" | 11 3/4" | 4 5/16" | 9" | 9 1/4" | 9 7/8" |
| KE-11 | 10 7/8" x 5 5/8" | 14 3/4" | 9" | 11 3/4" | 8" | 6 7/8" | 7 1/2" | 3/4" | 8" | 6 3/4" | 9 1/8" | 8 1/8" | 13 1/4" | 5 1/16" | 10" | 10 3/4" | 11 3/4" |
| KE-12 | 12 1/2" x 7 1/2" | 16 3/8" | 10 1/2" | 13 1/4" | 9 5/8" | 7 3/8" | 8 3/4" | 1" | 10 1/8" | 8 1/2" | 11 1/2" | 10 1/2" | 15 3/16" | 6 3/8" | 13 1/4" | 13 1/4" | 17" |
| KE-14 | 13 1/2" x 8 1/8" | 17 5/8" | 10 1/2" | 14 5/8" | 10 3/4" | 8" | 8 3/4" | 1" | 11 1/8" | 9 3/8" | 12 5/8" | 11 3/8" | 16 7/8" | 7" | 14 1/2" | 14 5/8" | 17" |

* Dimensions may vary depending on type of motor used.



DIRECT DRIVE FORWARD CURVED BLOWERS

For low static environments.
Ideal for light duty exhaust applications.



FEATURES

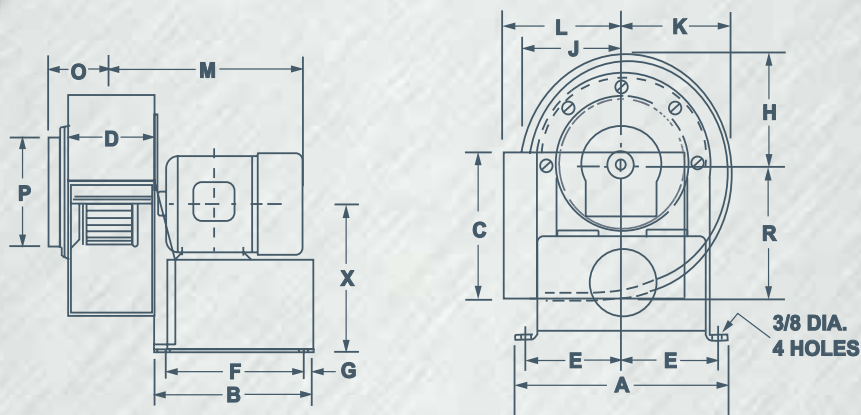
- Wheels are forward curved steel, dynamically balanced and designed for efficient operation.
- Welded 16 gauge steel housings and motor bases.
- TEFC motors are standard.
- Comes as clockwise rotation, bottom horizontal discharge (can be rotated at 45° increments).

PERFORMANCE SPECIFICATIONS

| MODEL | | | H.P. | RPM | CFM @ STATIC PRESSURE | | | | | | | | | | | | | dBA @ 5 FT |
|--------------|----------------------------|--------------------|-------|------|-----------------------|------|------|------|------|------|------|------|--------|--------|--------|------|--------|------------|
| SINGLE PHASE | THREE PHASE 208/230/460 | THREE PHASE 575 | | | 0" | 1/8" | 1/4" | 3/8" | 1/2" | 5/8" | 3/4" | 1" | 1 1/4" | 1 1/2" | 1 3/4" | 2" | 2 1/4" | |
| D6AAS | D6AAM | D6AAP | 1/3 | 1140 | 330 | 250 | 100 | -- | -- | -- | -- | -- | -- | -- | -- | -- | 51 | |
| D6ABS | D6ABM | D6ABP | 1/3 | 1750 | 560 | 515 | 470 | 420 | 300 | 300 | -- | -- | -- | -- | -- | -- | 53 | |
| D8AS | D8AM | D8AP | 1/3 | 1140 | 680 | 620 | 535 | 430 | -- | -- | -- | -- | -- | -- | -- | -- | 55 | |
| D8CS | D8CM | D8CP | 1/3 | 1750 | 1085 | 1050 | 1005 | 960 | 865 | 865 | 750 | 580 | -- | -- | -- | -- | 57 | |
| D9CS | D9CM | D9CP | 1/3 | 1140 | 1160 | 1125 | 1090 | 1035 | 855 | 855 | -- | -- | -- | -- | -- | -- | 56 | |
| D9FS | D9FM | D9FP | 1 | 1750 | -- | -- | -- | 1720 | 1675 | 1675 | 1620 | 1550 | 1445 | 1290 | 1100 | -- | 58 | |
| D11ES | D11EM | D11EP | 3/4 | 1140 | 1970 | 1870 | 1800 | 1710 | 1500 | 1500 | 1290 | 1020 | -- | -- | -- | -- | 61 | |
| D11GS | D11GM | D11GP | 1 1/2 | 1750 | -- | -- | -- | -- | -- | -- | -- | -- | 1840 | 1730 | 1600 | 1450 | 1280 | 63 |

* Fan should not be run at static pressure less than shown in above table, motor overload will result. dBA ratings shown are measured at 0" static pressure, and should be used as a guideline only.

DIMENSIONS



| BLOWER | WHEEL | BORE | A | B | C | D | E | F | G | H | J | K | L | M* | O | P | R | X | WEIGHT (LBS) (LESS MOTOR) |
|--------|------------------|------|---------|---------|---------|--------|--------|-----|------|--------|--------|--------|--------|---------|--------|-----|---------|---------|------------------------------|
| D6AA | 6 1/4" X 3" | 5/8" | 9 3/8" | 8" | 7 3/8" | 4 1/4" | 4 1/4" | 7" | 1/2" | 5" | 4" | 6" | 5" | 11 5/8" | 3 1/8" | 6" | 7 1/8" | 9" | 13 |
| D6AB | 6 1/4" X 3" | 5/8" | 9 3/8" | 8" | 7 3/8" | 4 1/4" | 4 1/4" | 7" | 1/2" | 5" | 4" | 6" | 5" | 11 5/8" | 3 1/8" | 6" | 7 1/8" | 9" | 13 |
| D8A | 7 3/4" X 3 7/8" | 5/8" | 11" | 8" | 8 1/4" | 5 3/8" | 5" | 7" | 1/2" | 6" | 4 5/8" | 6 3/4" | 6 7/8" | 12 1/2" | 3 3/4" | 8" | 8" | 9" | 18 |
| D8C | 7 3/4" X 3 7/8" | 5/8" | 11" | 8" | 8 1/4" | 5 3/8" | 5" | 7" | 1/2" | 6" | 4 5/8" | 6 3/4" | 6 7/8" | 12 1/2" | 3 3/4" | 8" | 8" | 9" | 18 |
| D9C | 9" X 4 1/2" | 5/8" | 12 1/8" | 8" | 10 3/4" | 6 1/2" | 5 5/8" | 7" | 1/2" | 6 3/4" | 5 5/8" | 7 3/4" | 7 1/8" | 13" | 4 3/8" | 9" | 9 1/4" | 9 7/8" | 25 |
| D9F | 9" X 4 1/2" | 5/8" | 12 1/8" | 8" | 10 3/4" | 6 1/2" | 5 5/8" | 7" | 1/2" | 6 3/4" | 5 5/8" | 7 3/4" | 7 1/8" | 14 1/4" | 4 3/8" | 9" | 9 1/4" | 9 7/8" | 25 |
| D11E | 10 5/8" X 5 1/4" | 5/8" | 14 3/4" | 11 1/2" | 11 3/4" | 8" | 6 7/8" | 10" | 3/4" | 8" | 6 3/4" | 9 1/8" | 8 1/8" | 15 1/2" | 5" | 10" | 10 3/4" | 11 1/4" | 36 |
| D11G | 10 5/8" X 4" | 5/8" | 14 3/4" | 11 1/2" | 11 3/4" | 5 7/8" | 6 7/8" | 10" | 3/4" | 8" | 6 3/4" | 9 1/8" | 8 1/8" | 14 5/8" | 4" | 10" | 10 3/4" | 11 1/4" | 36 |

* Dimensions may vary depending on type of motor used.



SBRM SERIES



BELT DRIVE UPBLAST SPUN ALUMINUM EXHAUSTERS



FEATURES

- Heavy duty construction, durable and weather resistant.
- Non-overloading backward inclined wheels, blades and inlets fabricated from 3003-H14 aluminum.
- Wall mount applications; units up to 24" nominal wheel can be wall mounted.
- External disconnect switch box (standard).
- Quick release latches for easy access to motor.
- Optional grease collection box.
- ETL listed for compliance with UL 705 and UL762 standards.



Canarm certifies that the SBRM Series shown herein are licensed to bear the AMCA Seal.

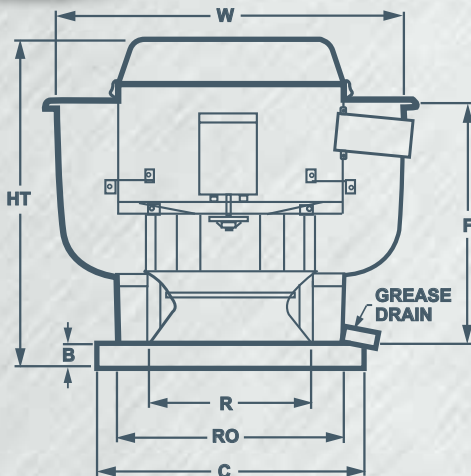
The ratings shown are based on tests and procedures performed in accordance with AMCA Publications 211 & 311 and comply with the requirements of the AMCA Certified Ratings Programme.

PERFORMANCE SPECIFICATIONS



| MODEL | TYPICAL MAXIMUM CFM @ SP | | | | |
|---------|--------------------------|-------|-----------|-------|-----------|
| | 1/2" SP | 1" SP | 1 1/2" SP | 2" SP | 2 1/2" SP |
| SBRM-13 | 2050 | 1600 | -- | -- | |
| SBRM-15 | 3400 | 2950 | 2400 | -- | |
| SBRM-18 | 5000 | 4600 | 4200 | 3600 | |
| SBRM-24 | 9000 | 8500 | 7500 | 6500 | 5500 |
| SBRM-30 | 12500 | 11500 | 10500 | 9000 | 7500 |

DIMENSIONS



OPTIONS

- Gravity damper (UL 705 only)
- Motorized damper (UL 705 only)
- Wall mount sleeve.
- Roof curb (vented & non-vented).
- Grease collection box.
- Bird screen (UL 705 only)
- Base hinging kit or hinged sub-base (for NFPA96 compliance)

| MODEL | WHEEL DIAMETER | HT | W | B | C | R | RO | SHAFT DIAMETER | MAXIMUM MOTOR HP | UNIT WEIGHT (LBS) | |
|---------|----------------|---------|---------|----|---------|---------|-----|----------------|------------------|------------------------|---------------------|
| | | | | | | | | | | Without motor & drives | With motor & drives |
| SBRM-13 | 13 3/4" | 27 1/4" | 30 1/4" | 2" | 21" | 13 1/4" | 16" | 3/4" | 1/2 | 60 | 120 |
| SBRM-15 | 15 3/4" | 30 1/2" | 33 3/4" | 2" | 24 3/4" | 14 7/8" | 20" | 3/4" | 1 | 80 | 140 |
| SBRM-18 | 18 3/4" | 33 3/4" | 39 3/8" | 2" | 28" | 16 1/2" | 24" | 1" | 2 | 105 | 190 |
| SBRM-24 | 24" | 37 1/2" | 43 3/8" | 2" | 33" | 23 7/8" | 28" | 1" | 5 | 160 | 270 |
| SBRM-30 | 30" | 40" | 52 3/4" | 2" | 40" | 24" | 36" | 1 3/16" | 5 | 195 | 410 |





FEATURES

- Heavy duty construction, durable and weather resistant.
- Non-overloading backward inclined wheels, blades and inlets fabricated from 3003-H14 aluminum.
- Wall mount applications (all units)
- Variable speed motor control (single phase only - VFD's required for 3 phase).
- External disconnect switch - standard.
- Quick release latches for easy motor access.
- Optional grease collection box.
- ETL listed for compliance with UL 705 & UL 762 standards.



Canarm certifies that the SDUB Series shown herein are licensed to bear the AMCA Seal.

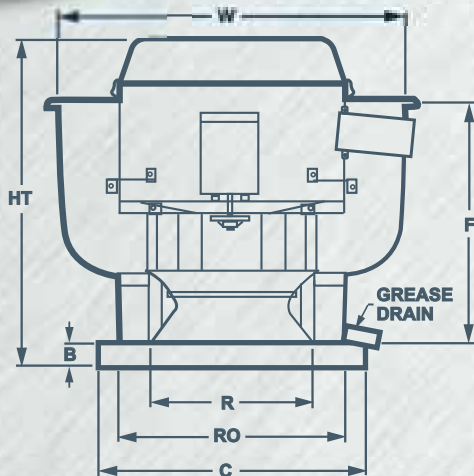
The ratings shown are based on tests and procedures performed in accordance with AMCA Publications 211 & 311 and comply with the requirements of the AMCA Certified Ratings Programme.

PERFORMANCE SPECIFICATIONS



| TYPICAL MAXIMUM CFM @ SP | | | | |
|--------------------------|---------|-------|-----------|-------|
| MODEL | 1/2" SP | 1" SP | 1 1/2" SP | 2" SP |
| SDUB-10 | 340 | -- | -- | -- |
| SDUB-12 | 450 | 75 | -- | -- |
| SDUB-30 | 1150 | 850 | 300 | -- |
| SDUB-33 | 1100 | 750 | -- | -- |
| SDUB-50 | 1750 | 1500 | 1100 | -- |
| SDUB-85 | 3100 | 2700 | 2200 | 1600 |

DIMENSIONS



OPTIONS

- Gravity damper (UL 705 only)
- Motorized damper (UL 705 only)
- Wall mount sleeve.
- Roof curb (vented & non-vented).
- Grease collection box (size 12 and larger).
- Bird screen (UL 705 only)
- Base hinging kit or hinged sub-base (for NFPA96 compliance)

| MODEL | WHEEL DIAMETER | HT | W | B | C | R | RO | MOTOR HP (115V) | UNIT WEIGHT (LBS) |
|---------|----------------|---------|---------|----|---------|---------|---------|-----------------|-------------------|
| SDUB-10 | 10 1/2" | 14 1/2" | 17 3/4" | 2" | 19" | 8 1/8" | 15 1/2" | 1/12 | 40 |
| SDUB-12 | 10 1/2" | 18" | 22" | 2" | 19" | 10 5/8" | 15 1/2" | 1/7 | 40 |
| SDUB-30 | 11 3/4" | 24 3/4" | 25 1/2" | 2" | 21" | 12 1/8" | 17 1/2" | 1/4 | 50 |
| SDUB-33 | 11 3/4" | 24 3/4" | 25 1/2" | 2" | 21" | 12 1/8" | 17 1/2" | 1/3 | 50 |
| SDUB-50 | 13 3/4" | 26 3/4" | 28 7/8" | 2" | 21" | 13 1/4" | 17 1/2" | 1/2 | 55 |
| SDUB-85 | 15 3/4" | 30 1/2" | 31 7/8" | 2" | 24 3/4" | 14 7/8" | 21" | 3/4 | 60 |



SB SERIES

DELTA BLOWERS

BELT DRIVE DOWNBLAST SPUN ALUMINUM EXHAUSTERS



FEATURES

- Spun aluminum housing for dust-free, weather resistant durability.
- Non-overloading backward inclined wheels, blades and inlets fabricated from 3003-H14 aluminum.
- Wall mount applications; units up to 24" nominal wheel can be wall mounted.
- Standard bird screen.
- Disconnect switch box.
- Quick release latches for easy access to motor.



Canarm certifies that the SB Series shown herein are licensed to bear the AMCA Seal.

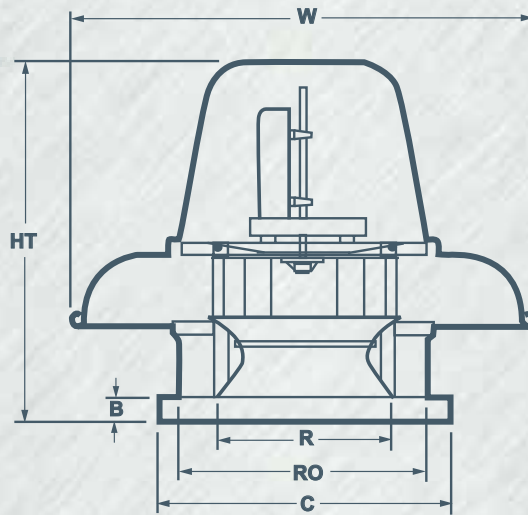
The ratings shown are based on tests and procedures performed in accordance with AMCA Publications 211 & 311 and comply with the requirements of the AMCA Certified Ratings Programme.

PERFORMANCE SPECIFICATIONS



| TYPICAL MAXIMUM CFM @ SP | | | | | |
|--------------------------|---------|-------|-----------|-------|-----------|
| MODEL | 1/2" SP | 1" SP | 1 1/2" SP | 2" SP | 2 1/2" SP |
| SB-13 | 2050 | 1600 | -- | -- | -- |
| SB-15 | 3400 | 2950 | 2400 | -- | -- |
| SB-18 | 5000 | 4600 | 4200 | 3600 | -- |
| SB-24 | 9000 | 8500 | 7500 | 6500 | 5500 |
| SB-30 | 12500 | 11500 | 10500 | 9000 | 7500 |

DIMENSIONS



| MODEL | WHEEL DIAMETER | HT | W | B | C | R | RO | SHAFT DIAMETER | MAXIMUM MOTOR HP | UNIT WEIGHT (LBS) | |
|-------|----------------|---------|---------|----|---------|---------|-----|----------------|------------------|------------------------|---------------------|
| | | | | | | | | | | Without motor & drives | With motor & drives |
| SB-13 | 13 3/4" | 27 1/4" | 29 5/8" | 2" | 21" | 13 1/4" | 16" | 3/4" | 1/2 | 40 | 105 |
| SB-15 | 15 3/4" | 30 5/8" | 33 1/4" | 2" | 24 3/4" | 14 7/8" | 20" | 3/4" | 1 | 65 | 130 |
| SB-18 | 18 3/4" | 32 3/4" | 38 1/4" | 2" | 28" | 16 1/2" | 24" | 1" | 2 | 90 | 190 |
| SB-24 | 24 3/4" | 37 3/4" | 42 1/2" | 2" | 33" | 23 7/8" | 28" | 1" | 5 | 135 | 215 |
| SB-30 | 30 3/4" | 40" | 52" | 2" | 40" | 24" | 36" | 1 3/16" | 5 | 175 | 380 |

OPTIONS

- Gravity damper.
- Motorized damper.
- Wall mount sleeve.
- Roof curb.



DIRECT DRIVE DOWNBLAST SPUN ALUMINUM EXHAUSTERS



FEATURES

- Spun aluminum housing for dust-free, weather resistant durability
- Non-overloading backward inclined wheels, blades and inlets fabricated from 3003-H14 aluminum.
- All sizes can be wall mounted.
- Variable Speed motor control with "off" setting
- Standard bird screen.



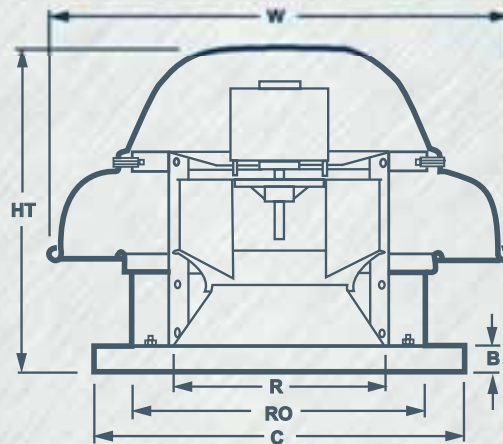
Canarm certifies that the SD Series shown herein are licensed to bear the AMCA Seal. The ratings shown are based on tests and procedures performed in accordance with AMCA Publications 211 & 311 and comply with the requirements of the AMCA Certified Ratings Programme.

PERFORMANCE SPECIFICATIONS



| TYPICAL MAXIMUM CFM @ SP | | | | | |
|--------------------------|---------|-------|-----------|-------|-----------|
| MODEL | 1/2" SP | 1" SP | 1 1/2" SP | 2" SP | 2 1/2" SP |
| SD-10 | 300 | -- | -- | -- | -- |
| SD-12 | 450 | 75 | -- | -- | -- |
| SD-30 | 1150 | 850 | 300 | -- | -- |
| SD-33 | 1100 | 750 | -- | -- | -- |
| SD-50 | 1750 | 1500 | 1100 | -- | -- |
| SD-85 | 3100 | 2700 | 2200 | 1600 | -- |

DIMENSIONS



| MODEL | WHEEL DIAMETER | HT | W | B | C | R | RO | MOTOR HP (115V) | UNIT WEIGHT (LBS) |
|-------|----------------|---------|---------|----|---------|---------|-----|-----------------|-------------------|
| SD-10 | 9" | 14 1/2" | 20 3/4" | 2" | 19" | 8 1/8" | 13" | 1/12 | 30 |
| SD-12 | 10 1/2" | 16 1/4" | 23 3/4" | 2" | 19" | 10 5/8" | 13" | 1/7 | 35 |
| SD-30 | 11 3/4" | 19 1/8" | 26 1/4" | 2" | 21" | 12 1/8" | 16" | 1/4 | 45 |
| SD-33 | 11 3/4" | 19 1/8" | 26 1/4" | 2" | 21" | 12 1/8" | 16" | 1/3 | 45 |
| SD-50 | 13 3/4" | 21 3/4" | 29 3/4" | 2" | 21" | 13 1/4" | 16" | 1/2 | 50 |
| SD-85 | 15 3/4" | 23 3/8" | 33 1/4" | 2" | 24 3/4" | 14 7/8" | 20" | 3/4 | 60 |

OPTIONS

- Gravity damper.
- Motorized damper.
- Wall mount sleeve.
- Roof curb.



SDS SERIES ECONOMY MAKE UP AIR UNITS



For use anywhere that fresh air is needed to replace exhaust air, commercial kitchens, office buildings, bakeries, laundries, factories, warehouses, foundries, locker rooms, etc.

FEATURES

- Emergency disconnect switch.
- Spun aluminum housing for rust free weather resistant durability.
- Propellers constructed with die formed blades riveted to a steel hub.
- Can be roof or wall mounted.
- Standard bird screen.
- Wire conduit to provide a clear channel for electrical connections.

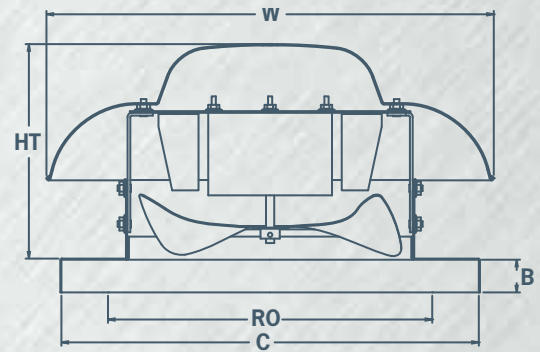


PERFORMANCE SPECIFICATIONS

| MODEL | HP | RPM | TS | STATIC PRESSURE IN INCHES W.G. | | | | |
|--------|-----|------|------|--------------------------------|-------|-------|-------|-------|
| | | | | 0.000 | 0.125 | 0.250 | 0.375 | 0.500 |
| SDS-14 | 1/6 | 1100 | 4030 | 1450 | 1174 | 904 | 670 | 439 |
| SDS-18 | 1/3 | 1100 | 5180 | 2460 | 2220 | 1980 | 1639 | 1300 |

DIMENSIONS

| FAN MODEL | HT | W | B | C | RO | WEIGHT (LBS) |
|-----------|---------|----------|----|-----|----|--------------|
| SDS-14 | 12 5/8" | 27 5/16" | 2" | 21" | 16 | 45 |
| SDS-18 | 14 3/8" | 33 9/16" | 2" | 26" | 20 | 67 |



OPTIONS

- Motorized backdraft damper.
- Hinged fan
- Wall mount sleeve

EMUA SERIES ECONOMY MAKE UP AIR UNITS

This economy make-up air unit is a non-motorized gravity vent. It is an economical choice when a fresh air intake or pressure relief is needed.

PERFORMANCE SPECIFICATIONS

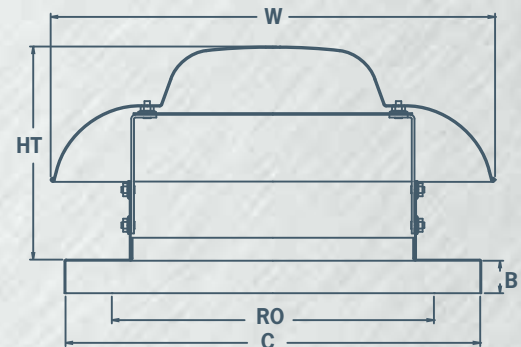
| MODEL | SIZE | CFM AGAINST STATIC RESISTANCE * |
|---------|-----------|---------------------------------|
| EMUA-12 | 12" WHEEL | 1000 |
| EMUA-14 | 14" WHEEL | 1475 |
| EMUA-18 | 18" WHEEL | 2400 |

* Approximate CFM against static resistance is based on throat area velocity of approximately 1200 fpm.



DIMENSIONS

| FAN MODEL | HT | W | B | C | RO | WEIGHT (LBS) |
|-----------|---------|----------|----|-----|----|--------------|
| EMUA-12 | 9 3/4" | 20 5/16" | 2" | 19" | 13 | 21 |
| EMUA-14 | 12 5/8" | 27 5/16" | 2" | 21" | 16 | 33 |
| EMUA-18 | 14 3/8" | 33 9/16" | 2" | 26" | 20 | 51 |



OPTIONS

- Motorized backdraft damper.
- Hinged fan
- Wall mount sleeve



VFD - B SERIES

VARIABLE SPEED AC MOTOR DRIVES

Variable Frequency Drives (VFD's) can cut energy use dramatically when needs are less than full motor capacity.



FEATURES

- Volt/Hertz, Sensorless vector & Closed loop vector control
- All VFD-B drives have/are:
 - Nema1 rated enclosures
 - Constant Torque rated
 - UL, cUL & CE approved
- Programmable (0 ~ 2000Hz) for high speed applications.
- The output current is adjustable up to 120% of the drive's nominal capacity.
- All "240/1/60" models also accept three phase input.
- Inputs: 11 digital (4 dedicated & 7 programmable) & 3 analog.
- Outputs: 4 digital, 1 analog and 1 digital frequency output.
- RS-485 communication port, standard protocol Modbus RTU & ASCII.
- B series drives have built-in dynamic braking transistors up to 15HP.

VFD - EL SERIES

VARIABLE FREQUENCY MULTI-FUNCTION MICRO DRIVE

FEATURES

- Volt/Hertz Control
- All VFD-EL drives have/are:
 - Constant Torque rated
 - IP20 rated enclosures
 - UL, cUL and CE approved
 - an integrated RFI & EMI filters.
- Programmable 0 ~ 600Hz for high speed applications.
- The output current is adjustable up to 120% of the drive's nominal capacity.
- All VFD-EL drives offer PNP/NPN selectable digital inputs.
- All "240/1/60" models accept only single inputs.
- Inputs: 6 programmable digital & 2 analog
- Outputs: 1 digital & 1 analog.
- RS-485 communication port, standard protocol Modbus RTU & ASCII.
- The dynamic braking transistor is optional for all VFD-EL drives.



MC SERIES

MANUAL VARIABLE SPEED CONTROLS

FEATURES

- Minimum speed adjustment screw.
- Designed to fit a standard 3" x 5" electrical box.
- Mount in a dry location.
- Now available in 230V/1/60HZ.



| MODEL | POWER SUPPLY | AMPERAGE RATING |
|---------|--------------|-----------------|
| MC-3 | 120V/1/60HZ | 2.5 |
| MC-5 | | 5.0 |
| MC-10 | | 10.0 |
| MC-15 | | 15.0 |
| MC5-230 | 230V/1/60HZ | 5.0 |



CONTACTS

FACILITIES

**CORPORATE OFFICE /
MANUFACTURING FACILITY**
2157 Parkedale Avenue
Brockville, ON K6V 5V6
Canada
Tel: (613) 342-5424
Fax: 1-800-263-4598

CANARM WAREHOUSE
100 Stowger Blvd.
Brockville, ON K6V 5J9
Canada

USA WAREHOUSE
808 Commerce Park Drive
Ogdensburg, New York 13669
USA
Tel: 1-800-267-4427
Fax: 1-800-263-4598

MANAGEMENT SUPPORT

JAMES A. COOPER
President
Tel: (613) 342-5424 (X 1307)
Cell: (613) 498-8540
Email: jcooper@canarm.ca

DOUG MATTHEWS
Vice-President - HVAC & Agri Products
Tel: (613) 342-5424 (X 1325)
Cell: (613) 213-0781
Email: dmatthew@canarm.ca

FIELD SUPPORT

BOB CLARKE
Vice-President - US Sales
Tel: (716) 870-1917
Fax: (716) 633-8929
Email: bclarke@canarm.ca

DON BARKLEY
Key Accounts Manager - Canada
Tel: (613) 342-5424 (X 1335)
Cell: (613) 340-4581
Email: dbarkley@canarm.ca

TIM SUTTON, CSP
Key Accounts Manager - Canada
Tel: (613) 342-5424 (X 1341)
Cell: (613) 349-5687
Email: tsutton@canarm.ca

CUSTOMER SERVICE

NICOLE WILLIAMS
Customer Service Rep
US Accounts
Tel: (613) 342-5424 (X 1327)
USA Tel: 1-800-267-4427
Fax: 1-800-263-4598
Email: nwilliams@canarm.ca

NANCY PAUL
Customer Service Rep
Special Accounts
Tel: (613) 342-5424 (X 1339)
USA Tel: 1-800-267-4427
Fax: 1-800-263-4598
Email: npaul@canarm.ca

CINDY WILKINS
Customer Service Rep
Canadian Accounts
Tel: (613) 342-5424 (X 1324)
USA Tel: 1-800-267-4427
Fax: 1-800-263-4598
Email: cwilkins@canarm.ca

TECHNICAL SUPPORT

STEVE MARSH
Technical Sales Representative
Tel: (613) 342-5424 (X 1321)
USA Tel: 1-800-267-4427
Fax: 1-800-263-4598
Email: smarsh@canarm.ca

QUALITY ASSURANCE & PRODUCT WARRANTY

DIANA LAWSON
Quality Assurance & Warranty Technical Representative
Tel: (613) 342-5424 (X 1353)
USA Tel: 1-800-267-4427
Fax: 1-800-263-4598
Email: dlawson@canarm.ca

WEB SITES

WWW.CANARM.COM

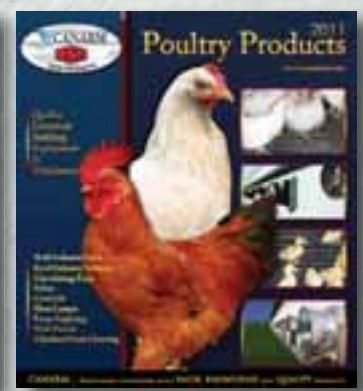
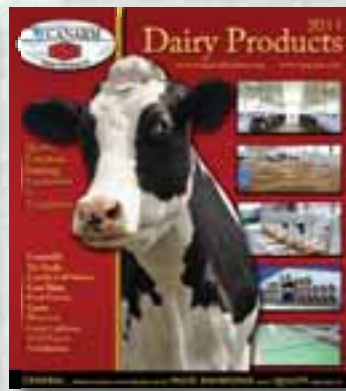
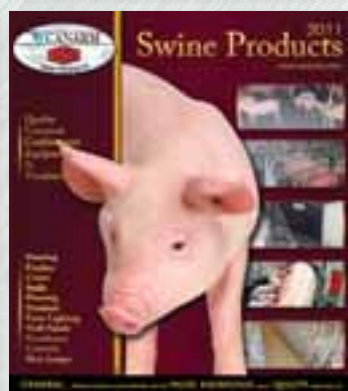
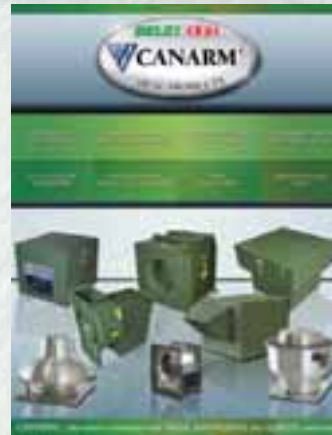
WWW.DELHI-INDUSTRIES.COM





CANARM LTD. is a leading manufacturer of:

- Residential lighting & ceiling fans
- Delhi Blowers
- LFI Axial fans
- Fantraxx products
- Commercial & agricultural ventilation
- All weather lighting
- Agricultural livestock stabling equipment
- Equine products



Speak with your sales representative to request literature on any of our product lines or visit our web site at www.canarm.com.





FEBRUARY 2013

Specifications subject to change without notice.
Due to limitations with the printing process the products illustrated are representative only of the actual products.
Printed in Canada

CATALOGUE - DELHI-DIST-FEB-13

**CORPORATE OFFICE /
MANUFACTURING FACILITY**
2157 Parkedale Avenue, PO Box 367
Brockville, ON K6V 5V6
Canada
Tel: (613) 342-5424
Fax: 1-800-263-4598

USA WAREHOUSE
808 Commerce Park Drive
Ogdensburg, New York 13669
USA
Tel: 1-800-267-4427
Fax: 1-800-263-4598

WWW.CANARM.COM

HVACSALES@CANARM.CA

WWW.DELHI-INDUSTRIES.COM