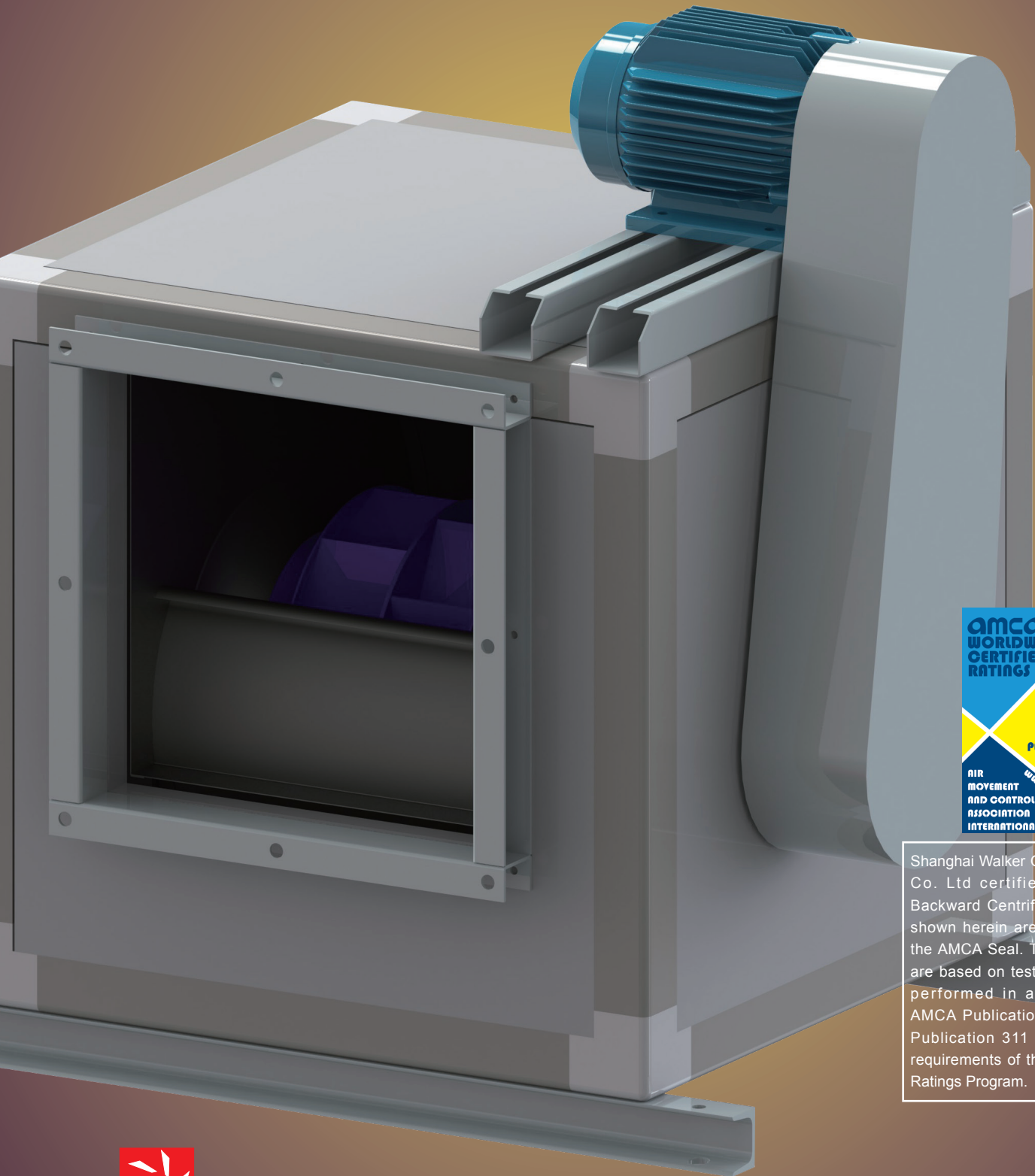


CBF

后倾离心风机箱



Shanghai Walker General Equipment Co. Ltd certifies that the CBF Backward Centrifugal Cabinet Fan shown herein are licensed to bear the AMCA Seal. The ratings shown are based on tests and procedures performed in accordance with AMCA Publication 211 and AMCA Publication 311 and comply with requirements of the AMCA Certified Ratings Program.



Walker Company

Company profile

上海沃克通用设备有限公司坐落于风景秀丽的上海市奉贤区，是一家以美国技术为基础，专业致力于通风设备研发、制造、销售的科技型企业。沃克通风始终坚持以人为本，集聚了一个专业化、年轻化的核心团队，使沃克的产品和服务在通风领域内享有盛誉。创新和品质始终是沃克人关注的核心，为您提供安全、可靠、易用、美观的通风产品是我们的荣幸，也是我们的责任。

Located in the scenic Fengxian District, Shanghai, China, based on American technologies; Walker is a technological company specialized in research and development, production, and sales of ventilation equipments. Walker implements the tenet of "human-orientation", gathering a professional and young team, winning great reputation in ventilation industry for Walker products and services. We have always been taking innovative quality as the core and as our honor and responsibility to provide the clients with safe, reliable, convenient, and decent ventilation products.



ISO9001认证
ISO9001 Certificate

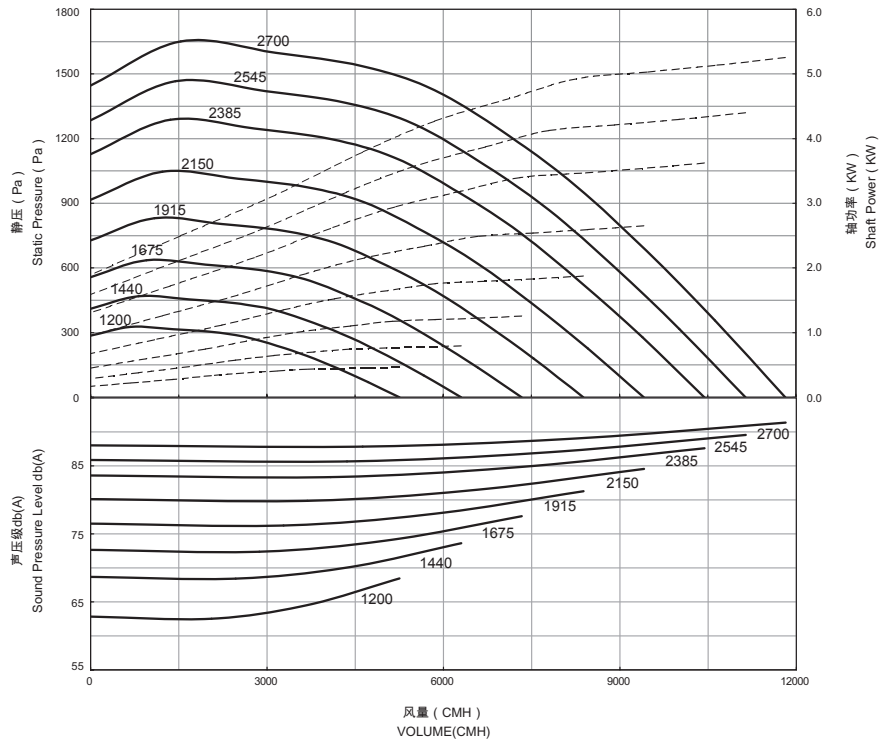
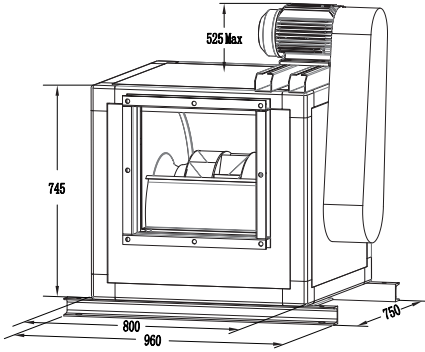


消防认证
China Smoke Removal
Certificate



防爆认证
Ex-proof Certificate

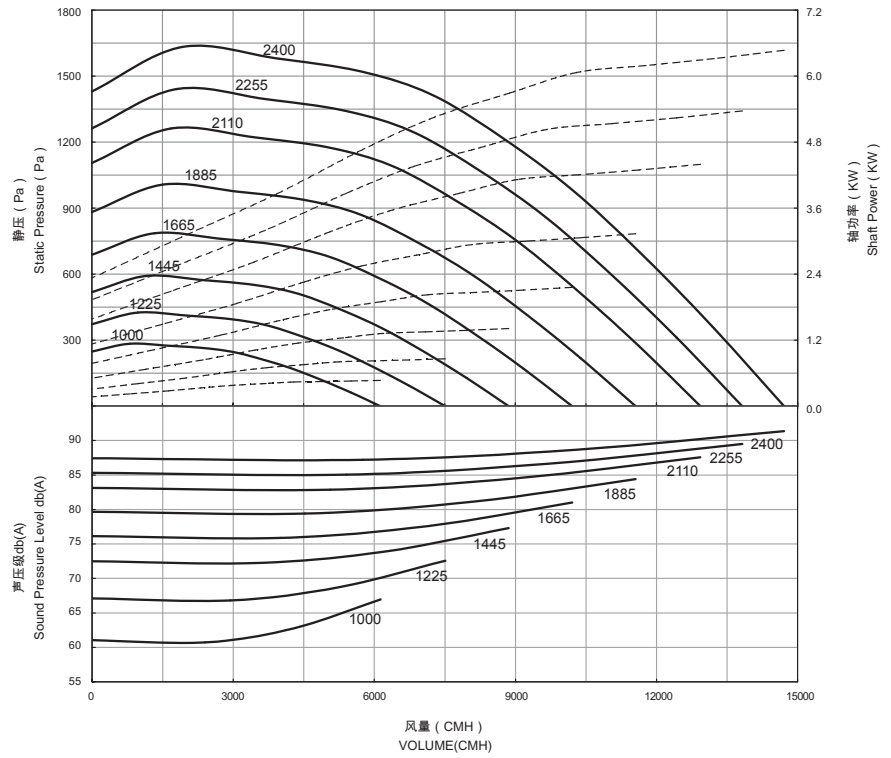
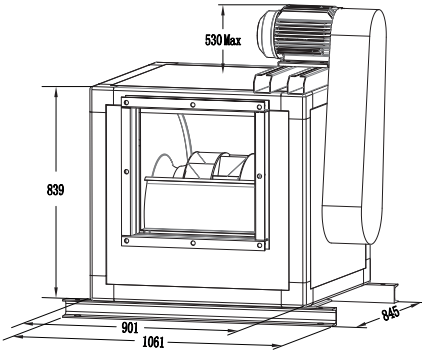
叶轮直径 Wheel Diameter – 362 mm
 最大转速 Max RPM – 2700 RPM
 最大风量 Max Volume – 12000 m³/h
 最大静压 Max SP – 1650 Pa
 风机重量 Weight – 125 Kg
 运输体积 Transport volume – 1.5 m³



NO.	转速	静压	风量	静压	八段倍频								声功率级	声压级@1.5m
	RPM	Pa	CMH	in.Wg	1	2	3	4	5	6	7	8	LwA	LpA(dBA)
1	1200	0	5253	0.000	86	86	79	78	76	71	66	61	80	68
		193	3676	0.776	83	84	76	74	71	65	61	62	77	65
		303	2056	1.219	82	84	75	72	68	61	59	63	75	63
		286	0	1.147	82	84	75	72	68	62	60	63	75	63
2	1440	0	6303	0.000	90	93	84	82	81	77	71	66	86	74
		278	4412	1.117	87	92	81	78	76	70	65	66	82	70
		437	2467	1.755	86	92	80	77	73	66	63	66	80	68
		411	0	1.652	86	92	80	77	74	67	63	66	81	69
3	1675	0	7332	0.000	93	96	89	86	84	81	75	70	90	78
		376	5132	1.511	90	95	87	83	80	75	70	69	86	74
		591	2869	2.374	88	95	85	81	77	71	67	68	84	72
		556	0	2.235	89	95	85	81	78	72	67	69	85	73
4	1915	0	8382	0.000	95	100	94	89	88	85	79	74	93	81
		492	5867	1.975	92	98	92	86	83	79	73	72	90	78
		773	3281	3.103	91	97	91	84	81	75	70	71	88	76
		727	0	2.921	91	97	91	85	81	76	71	71	89	77
5	2150	0	9411	0.000	97	102	99	92	90	88	83	77	97	85
		620	6587	2.490	94	100	97	89	86	82	77	74	94	82
		974	3683	3.912	93	99	96	88	84	79	73	73	92	80
		917	0	3.682	93	100	96	88	84	80	74	73	92	80
6	2385	0	10439	0.000	99	105	103	95	93	91	86	80	100	88
		763	7307	3.064	96	102	102	92	89	86	80	76	97	85
		1199	4086	4.813	94	101	101	91	87	83	76	74	95	83
		1128	0	4.531	95	102	101	91	87	83	77	75	96	84
7	2545	0	11140	0.000	100	106	105	97	94	93	88	82	102	90
		869	7797	3.489	97	104	104	94	91	88	82	78	99	87
		1365	4360	5.481	96	103	104	92	89	85	78	75	98	86
		1285	0	5.159	96	103	104	93	89	85	79	76	98	86
8	2700	0	11818	0.000	101	108	108	98	96	94	90	84	103	91
		978	8272	3.927	98	105	107	96	92	89	83	79	101	89
		1536	4625	6.169	97	104	106	94	90	87	80	76	100	88
		1446	0	5.807	97	104	106	94	90	87	80	77	100	88

Performance certified is for installation type B - free inlet, ducted outlet. Power rating (kW) does not include transmission losses. Performance ratings do not include the effects of appurtenances (accessories). Values shown are for inlet Lwi and LwiA sound power levels for Installation Type B: free inlet, ducted outlet. The sound power level ratings shown are in decibels, referred to 10-12 watts, calculated per AMCA International Standard 301. The A-weighted sound ratings shown have been calculated per AMCA International Standard 301. Sound pressure level LpA (dBA) are not licensed by AMCA International.

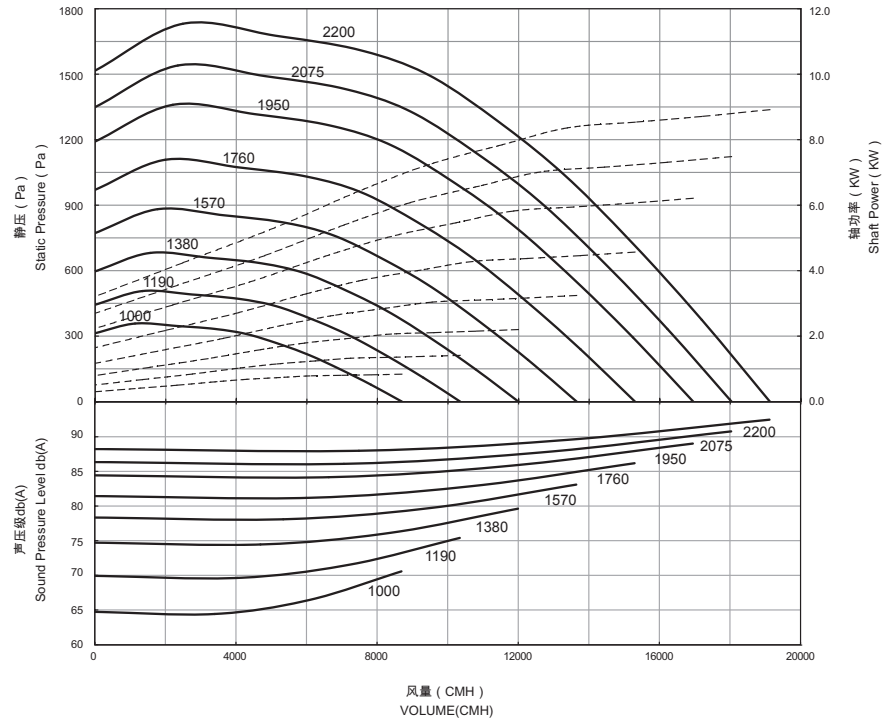
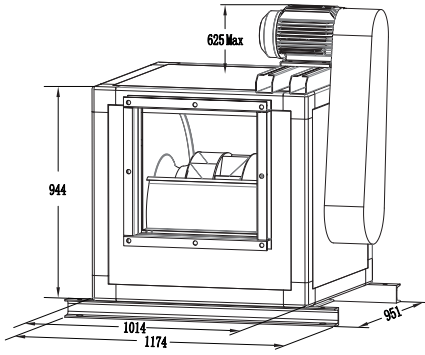
叶轮直径 Wheel Diameter – 405mm
 最大转速 Max RPM – 2400 RPM
 最大风量 Max Volume – 15000 m³/h
 最大静压 Max SP – 1650 Pa
 风机重量 Weight – 158Kg
 运输体积 Transport volume – 2.0 m³


CBF-400 噪音数据表

NO.	转速	静压	风量	静压	八段变频								声功率级	声压级@1.5m
	RPM	Pa	CMH	in.Wg	1	2	3	4	5	6	7	8	LwA	LpA(dBA)
1	1000	0	6130	0.000	86	82	78	77	74	69	64	59	79	67
		168	4290	0.674	84	81	75	73	68	63	61	62	75	63
		264	2399	1.059	83	80	73	70	65	60	60	63	73	61
		248	0	0.997	83	80	73	71	66	60	60	63	73	61
2	1225	0	7509	0.000	90	90	83	82	80	75	70	65	85	73
		252	5256	1.012	88	89	81	78	75	69	65	66	81	69
		396	2939	1.589	87	88	79	76	72	65	63	67	79	67
		373	0	1.496	87	89	79	76	72	66	64	66	79	67
3	1445	0	8857	0.000	94	97	88	85	84	80	74	69	89	77
		351	6200	1.408	91	96	85	82	80	73	69	69	86	74
		551	3466	2.212	90	96	83	80	77	70	66	69	84	72
		518	0	2.082	90	96	84	80	77	70	66	69	84	72
4	1665	0	10206	0.000	97	100	92	89	88	84	79	73	93	81
		465	7143	1.869	94	99	90	86	83	78	73	72	90	78
		731	3994	2.936	92	99	89	84	81	74	70	72	88	76
		688	0	2.764	93	99	89	84	81	75	70	72	88	76
5	1885	0	11554	0.000	99	103	97	92	91	88	82	77	96	84
		597	8087	2.396	96	102	95	89	86	82	76	75	93	81
		937	4522	3.763	95	101	94	88	84	78	73	74	91	79
		882	0	3.543	95	101	94	88	84	79	74	74	92	80
6	2110	0	12933	0.000	101	106	102	95	93	91	86	80	100	88
		747	9053	3.002	98	104	100	92	89	85	80	77	97	85
		1174	5062	4.715	97	103	99	91	87	82	76	76	95	83
		1105	0	4.439	97	103	99	91	87	83	77	76	95	83
7	2255	0	13822	0.000	102	107	104	97	95	93	88	82	102	90
		854	9675	3.428	99	105	103	94	91	87	81	79	99	87
		1341	5410	5.386	98	104	102	92	89	84	78	77	97	85
		1262	0	5.070	98	104	102	93	89	85	79	77	97	85
8	2400	0	14711	0.000	103	109	107	99	96	94	90	84	103	91
		967	10297	3.884	100	107	106	96	93	89	83	80	101	89
		1519	5758	6.101	99	105	105	94	90	86	80	78	99	87
		1430	0	5.743	99	106	105	94	91	87	80	78	99	87

Performance certified is for installation type B - free inlet, ducted outlet. Power rating (kW) does not include transmission losses. Performance ratings do not include the effects of appurtenances (accessories). Values shown are for inlet Lwi and LwiA sound power levels for Installation Type B: free inlet, ducted outlet. The sound power level ratings shown are in decibels, referred to 10-12 watts, calculated per AMCA International Standard 301. The A-weighted sound ratings shown have been calculated per AMCA International Standard 301. Sound pressure level LpA (dBA) are not licensed by AMCA International.

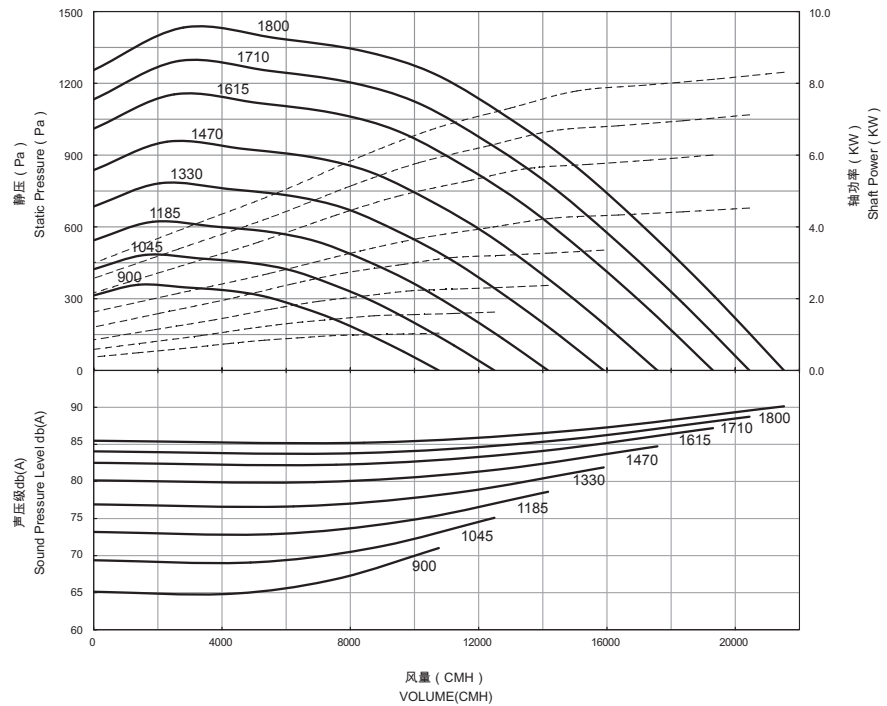
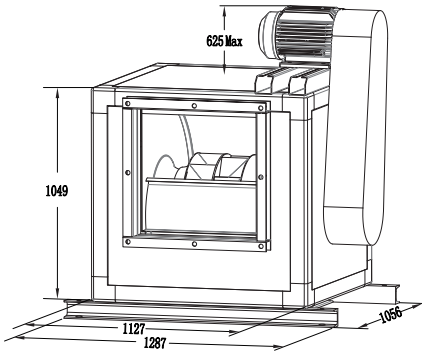
叶轮直径 Wheel Diameter – 455 mm
 最大转速 Max RPM – 2200 RPM
 最大风量 Max Volume – 19000 m³/h
 最大静压 Max SP – 1800 Pa
 风机重量 Weight – 205 Kg
 运输体积 Transport volume – 2.7 m³



NO.	转速	静压	风量	静压	八段倍频								声功率级	声压级@1.5m
	RPM	Pa	CMH	in.Wg	1	2	3	4	5	6	7	8	LwA	LpA(dBA)
1	1000	0	8692	0.000	90	86	82	80	78	73	67	62	83	71
		212	6084	0.851	88	85	79	76	72	66	65	65	78	66
		333	3402	1.337	87	84	77	74	69	63	63	67	76	64
		313	0	1.258	87	84	77	74	69	64	64	66	77	65
2	1190	0	10343	0.000	94	93	86	84	83	78	72	67	87	75
		300	7239	1.205	92	92	84	81	77	71	68	69	84	72
		471	4048	1.893	91	91	82	79	74	68	66	70	82	70
		444	0	1.782	91	91	82	79	75	69	67	69	82	70
3	1380	0	11994	0.000	97	99	90	88	87	82	77	72	92	80
		404	8395	1.621	95	98	88	84	82	76	71	72	88	76
		634	4694	2.546	93	98	86	83	79	72	69	72	86	74
		597	0	2.396	94	98	86	83	79	73	69	72	87	75
4	1570	0	13646	0.000	100	103	94	91	90	86	80	75	95	83
		522	9551	2.098	97	102	92	88	85	80	75	75	92	80
		820	5341	3.295	96	101	90	86	83	76	72	74	90	78
		772	0	3.102	96	102	90	86	83	77	72	74	90	78
5	1760	0	15297	0.000	102	106	98	94	93	89	84	79	98	86
		656	10707	2.636	99	104	96	91	88	83	78	77	95	83
		1031	5987	4.141	98	104	95	89	86	80	75	76	93	81
		971	0	3.898	98	104	95	90	86	80	75	76	93	81
6	1950	0	16948	0.000	104	108	102	97	95	92	87	82	101	89
		806	11863	3.236	101	106	101	94	91	86	81	79	98	86
		1266	6633	5.083	99	106	99	92	88	83	78	78	96	84
		1191	0	4.785	100	106	100	92	89	84	78	78	96	84
7	2075	0	18035	0.000	105	109	105	99	96	94	89	83	103	91
		912	12623	3.664	102	108	103	96	92	88	83	80	100	88
		1433	7058	5.756	101	107	102	94	90	85	79	79	98	86
		1349	0	5.418	101	107	102	94	90	86	80	79	98	86
8	2200	0	19121	0.000	106	111	107	100	98	96	91	85	104	92
		1026	13384	4.119	103	109	106	97	94	90	84	82	102	90
		1611	7484	6.470	102	108	105	95	92	87	81	80	100	88
		1517	0	6.090	102	108	105	96	92	87	82	80	100	88

Performance certified is for installation type B - free inlet, ducted outlet. Power rating (kW) does not include transmission losses. Performance ratings do not include the effects of appurtenances (accessories). Values shown are for inlet Lwi and LwiA sound power levels for Installation Type B: free inlet, ducted outlet. The sound power level ratings shown are in decibels, referred to 10-12 watts, calculated per AMCA International Standard 301. The A-weighted sound ratings shown have been calculated per AMCA International Standard 301. Sound pressure level LpA (dBA) are not licensed by AMCA International.

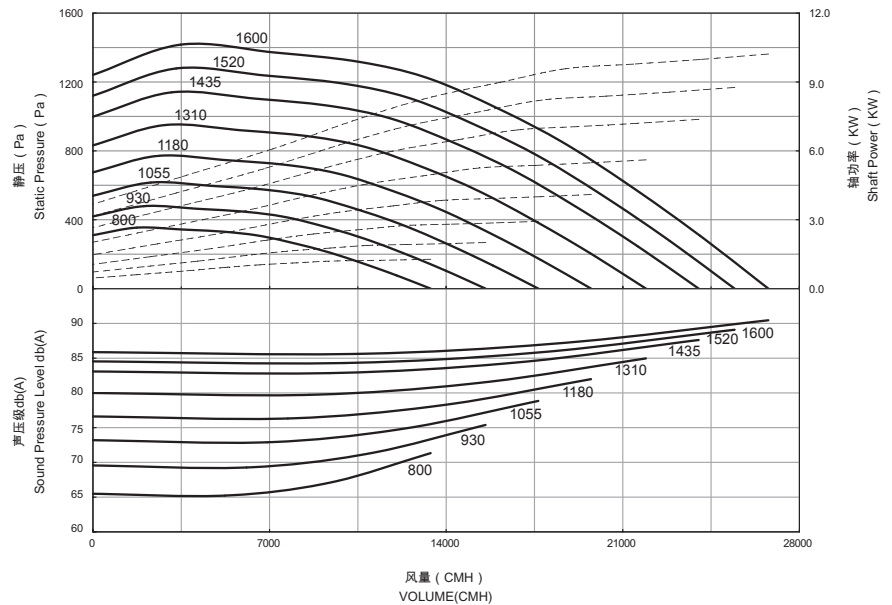
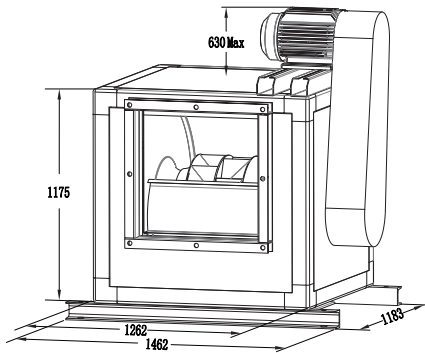
叶轮直径 Wheel Diameter – 506 mm
 最大转速 Max RPM – 1800 RPM
 最大风量 Max Volume – 22000 m³/h
 最大静压 Max SP – 1500 Pa
 风机重量 Weight – 250 Kg
 运输体积 Transport volume – 3.4 m³


CBF-500 噪音数据表

NO.	转速	静压	风量	静压	八段倍频								声功率级	声压级@1.5m
	RPM	Pa	CMH	in.Wg	1	2	3	4	5	6	7	8	LwA	LpA(dBA)
1	900	0	10759	0.000	91	86	82	81	78	73	67	62	83	71
		212	7530	0.852	90	84	79	77	72	67	66	66	79	67
		333	4211	1.339	89	83	77	74	68	64	65	68	77	65
		314	0	1.261	89	83	78	75	69	64	65	68	77	65
2	1045	0	12492	0.000	95	92	86	85	82	77	72	67	87	75
		286	8744	1.149	93	90	83	81	77	71	69	69	83	71
		450	4889	1.805	92	89	82	78	73	68	67	71	81	69
		423	0	1.699	92	89	82	79	74	68	68	70	81	69
3	1185	0	14165	0.000	98	97	90	88	86	81	75	70	91	79
		368	9915	1.478	96	96	87	84	80	75	71	72	87	75
		578	5544	2.322	94	95	85	82	77	71	69	73	85	73
		544	0	2.185	95	95	85	82	78	72	70	73	85	73
4	1330	0	15899	0.000	100	101	93	90	89	85	79	74	94	82
		464	11128	1.862	98	100	90	87	84	78	74	74	90	78
		728	6222	2.925	97	100	88	85	81	74	71	75	89	77
		685	0	2.753	97	100	88	85	82	75	72	75	89	77
5	1470	0	17572	0.000	103	105	95	93	92	88	82	77	97	85
		566	12300	2.274	100	104	93	89	87	81	76	76	93	81
		890	6877	3.573	98	104	91	88	84	77	73	76	92	80
		837	0	3.363	99	104	91	88	85	78	74	76	92	80
6	1615	0	19306	0.000	104	107	98	95	94	90	84	79	99	87
		684	13513	2.745	101	106	96	92	89	84	79	78	96	84
		1074	7556	4.312	100	106	94	90	87	80	76	78	94	82
		1011	0	4.059	100	106	95	90	87	81	76	78	95	83
7	1710	0	20441	0.000	105	109	101	97	95	92	86	81	101	89
		766	14308	3.077	102	107	99	94	91	85	80	80	97	85
		1204	8000	4.834	101	107	97	92	88	82	77	79	96	84
		1133	0	4.551	101	107	97	92	89	83	78	79	96	84
8	1800	0	21517	0.000	106	110	103	98	96	93	88	82	102	90
		849	15061	3.410	103	108	101	95	92	87	82	81	99	87
		1334	8421	5.357	102	108	99	93	90	84	79	80	97	85
		1256	0	5.042	102	108	99	93	90	84	79	80	97	85

Performance certified is for installation type B - free inlet, ducted outlet. Power rating (kW) does not include transmission losses. Performance ratings do not include the effects of appurtenances (accessories). Values shown are for inlet Lwi and LwiA sound power levels for Installation Type B: free inlet, ducted outlet. The sound power level ratings shown are in decibels, referred to 10-12 watts, calculated per AMCA International Standard 301. The A-weighted sound ratings shown have been calculated per AMCA International Standard 301. Sound pressure level LpA (dBA) are not licensed by AMCA International.

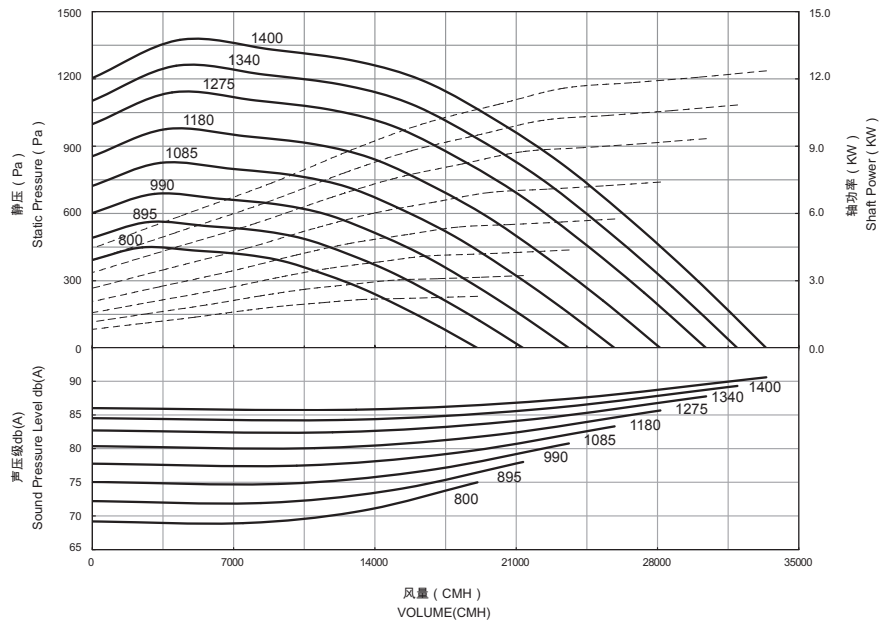
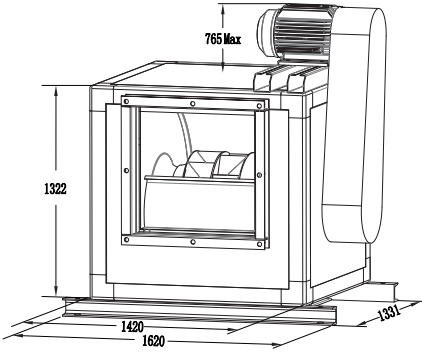
叶轮直径 Wheel Diameter – 566 mm
 最大转速 Max RPM – 1600 RPM
 最大风量 Max Volume – 27000 m³/h
 最大静压 Max SP – 1500 Pa
 风机重量 Weight – 338 Kg
 运输体积 Transport volume – 4.4 m³



NO.	转速 RPM	静压 Pa	风量 CMH	静压 in.Wg	八段倍频								声功率级 LwA	声压级@1.5m LpA(dBA)
					1	2	3	4	5	6	7	8		
1	800	0	13384	0.000	93	85	83	82	78	73	67	62	83	71
		210	9368	0.843	92	83	80	77	72	67	67	67	79	67
		330	5238	1.324	91	81	78	75	68	64	66	70	77	65
		310	0	1.246	91	81	78	75	69	64	66	69	77	65
2	930	0	15559	0.000	96	91	87	85	82	77	72	67	87	75
		284	10891	1.139	95	89	84	81	76	71	70	70	83	71
		446	6090	1.789	94	88	82	79	73	68	69	72	81	69
		419	0	1.684	94	88	82	79	74	68	69	72	82	70
3	1055	0	17651	0.000	99	96	90	88	86	81	75	70	91	79
		365	12355	1.466	97	94	87	84	80	75	72	73	87	75
		573	6908	2.302	96	93	85	82	77	71	71	74	85	73
		540	0	2.167	96	94	86	83	78	72	71	74	85	73
4	1180	0	19742	0.000	102	100	93	91	89	84	79	74	94	82
		457	13818	1.834	100	99	90	87	84	78	75	75	90	78
		717	7727	2.880	98	98	88	85	81	74	73	76	88	76
		675	0	2.711	99	98	89	85	81	75	73	76	89	77
5	1310	0	21917	0.000	104	104	96	93	92	88	82	77	97	85
		563	15341	2.260	102	104	93	90	87	81	77	77	93	81
		884	8578	3.550	100	103	91	88	84	77	75	78	92	80
		832	0	3.342	101	103	92	88	84	78	75	78	92	80
6	1435	0	24008	0.000	106	108	98	96	94	90	84	79	100	88
		675	16804	2.712	103	107	96	92	90	83	79	79	96	84
		1061	9396	4.260	102	107	94	90	87	80	76	79	95	83
		998	0	4.010	102	107	94	91	87	80	76	79	95	83
7	1520	0	25430	0.000	107	110	100	97	96	92	86	81	101	89
		758	17800	3.042	105	109	97	94	91	85	80	81	98	86
		1190	9953	4.779	103	108	95	92	89	82	78	80	96	84
		1120	0	4.499	103	108	96	92	89	82	78	80	97	85
8	1600	0	26769	0.000	108	111	102	98	97	93	88	82	102	90
		839	18737	3.371	105	110	99	95	93	87	82	82	99	87
		1319	10477	5.296	104	109	98	93	90	83	79	81	98	86
		1241	0	4.985	104	109	98	94	90	84	79	81	98	86

Performance certified is for installation type B - free inlet, ducted outlet. Power rating (kW) does not include transmission losses. Performance ratings do not include the effects of appurtenances (accessories). Values shown are for inlet Lwi and LwiA sound power levels for Installation Type B: free inlet, ducted outlet. The sound power level ratings shown are in decibels, referred to 10-12 watts, calculated per AMCA International Standard 301. The A-weighted sound ratings shown have been calculated per AMCA International Standard 301. Sound pressure level LpA (dBA) are not licensed by AMCA International.

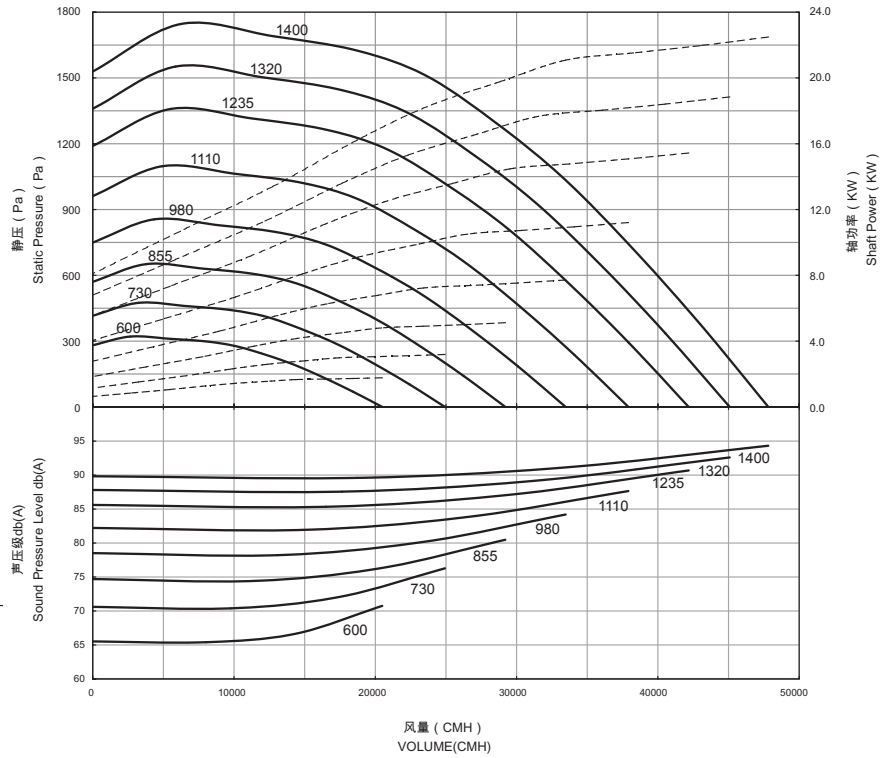
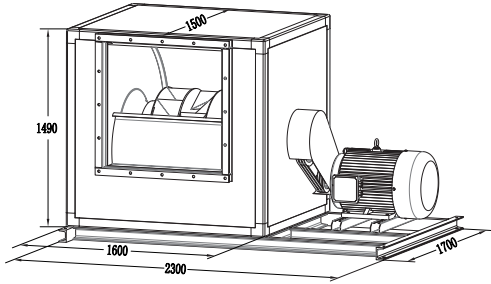
叶轮直径 Wheel Diameter – 637 mm
 最大转速 Max RPM – 1400 RPM
 最大风量 Max Volume – 34000 m³/h
 最大静压 Max SP – 1400 Pa
 风机重量 Weight – 418 Kg
 运输体积 Transport volume – 6.2 m³


CBF-630 噪音数据表

NO.	转速	静压	风量	静压	八段变频								声功率级	声压级@1.5m
	RPM	Pa	CMH	in.Wg	1	2	3	4	5	6	7	8	LwA	LpA(dBA)
1	800	0	19080	0.000	97	89	87	86	82	76	71	66	87	75
		266	13355	1.067	96	87	83	81	75	70	70	71	83	71
		418	7467	1.677	95	85	81	78	72	67	70	73	81	69
		393	0	1.578	95	85	82	79	72	68	70	73	81	69
2	895	0	21345	0.000	99	93	89	88	85	80	74	69	90	78
		333	14941	1.336	98	92	86	84	79	74	73	73	86	74
		523	8354	2.099	97	90	85	81	75	71	72	75	84	72
		492	0	1.976	98	90	85	82	76	71	72	75	84	72
3	990	0	23611	0.000	102	97	92	91	88	83	77	72	93	81
		407	16526	1.635	100	96	89	86	82	76	75	75	89	77
		639	9241	2.568	99	95	87	84	79	73	73	77	87	75
		602	0	2.417	99	95	88	84	79	74	74	77	87	75
4	1085	0	25877	0.000	104	101	95	93	90	85	80	75	95	83
		489	18112	1.964	102	100	92	89	85	79	77	77	91	79
		768	10128	3.085	101	99	90	87	82	76	75	78	89	77
		723	0	2.904	101	99	90	87	82	76	75	78	90	78
5	1180	0	28142	0.000	106	104	97	95	93	88	82	77	98	86
		578	19698	2.322	104	103	94	91	87	81	78	79	94	82
		908	11014	3.648	103	102	92	89	84	78	76	80	92	80
		855	0	3.434	103	102	92	89	85	79	77	80	92	80
6	1275	0	30408	0.000	108	107	99	96	95	90	84	79	100	88
		675	21284	2.711	105	106	96	93	90	84	80	80	96	84
		1061	11901	4.259	104	105	94	91	87	80	78	81	94	82
		998	0	4.009	104	106	94	91	87	81	78	81	95	83
7	1340	0	31958	0.000	109	109	100	98	96	92	86	81	101	89
		746	22369	2.995	106	108	98	94	91	85	81	82	98	86
		1171	12508	4.705	105	108	96	92	88	82	78	82	96	84
		1103	0	4.429	105	108	96	92	89	82	79	82	97	85
8	1400	0	33389	0.000	110	111	101	99	97	93	87	82	103	91
		814	23371	3.269	107	110	99	95	93	86	82	82	99	87
		1279	13068	5.136	106	110	97	93	90	83	79	83	98	86
		1204	0	4.834	106	110	97	94	90	83	80	83	98	86

Performance certified is for installation type B - free inlet, ducted outlet. Power rating (kW) does not include transmission losses. Performance ratings do not include the effects of appurtenances (accessories). Values shown are for inlet Lwi and LwiA sound power levels for Installation Type B: free inlet, ducted outlet. The sound power level ratings shown are in decibels, referred to 10-12 watts, calculated per AMCA International Standard 301. The A-weighted sound ratings shown have been calculated per AMCA International Standard 301. Sound pressure level LpA (dBA) are not licensed by AMCA International.

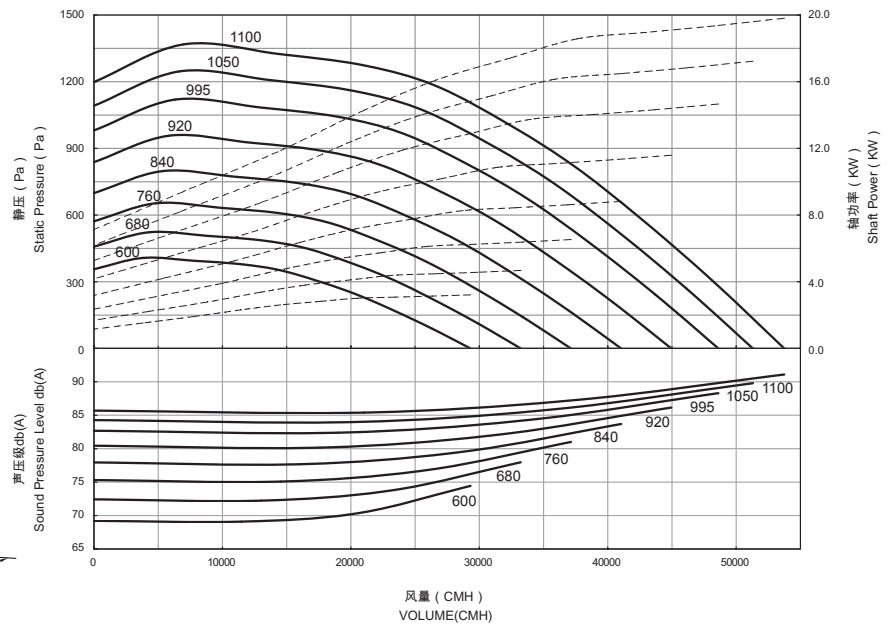
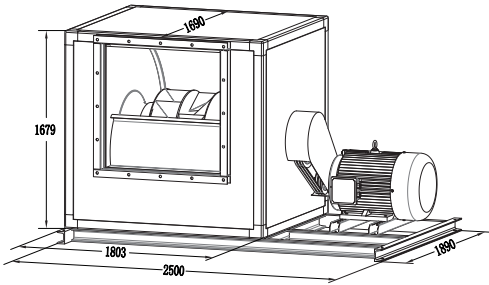
叶轮直径 Wheel Diameter – 718 mm
 最大转速 Max RPM – 1400 RPM
 最大风量 Max Volume – 48000 m³/h
 最大静压 Max SP – 1700 Pa
 风机重量 Weight – 569 Kg
 运输体积 Transport volume – 5.1 m³



NO.	转速	静压	风量	静压	八段倍频								声功率级	声压级@1.5m
	RPM	Pa	CMH	in.Wg	1	2	3	4	5	6	7	8	LwA	LpA(dBA)
1	600	0	20492	0.000	91	85	83	82	77	71	66	61	83	71
		190	14343	0.763	90	82	80	76	70	67	68	68	79	67
		298	8020	1.198	89	80	77	73	67	65	69	72	77	65
		281	0	1.128	89	81	78	74	68	66	68	71	78	66
2	730	0	24932	0.000	99	90	88	87	83	77	72	67	88	76
		281	17451	1.129	98	88	84	82	76	71	72	73	84	72
		442	9758	1.774	98	86	83	80	72	69	72	75	82	70
		416	0	1.670	98	86	83	80	73	69	72	75	83	71
3	855	0	29201	0.000	103	96	92	91	87	82	77	72	92	80
		386	20439	1.549	102	94	89	86	81	76	75	76	88	76
		606	11429	2.434	101	92	87	84	78	73	75	78	86	74
		570	0	2.291	101	92	87	84	78	73	75	78	87	75
4	980	0	33470	0.000	106	101	96	94	91	86	80	75	96	84
		507	23427	2.035	104	99	93	90	85	80	78	79	92	80
		796	13100	3.197	103	98	91	88	82	77	77	80	90	78
		749	0	3.009	104	98	91	88	82	77	77	80	91	79
5	1110	0	37910	0.000	109	106	99	97	95	90	84	79	100	88
		650	26535	2.611	107	105	96	93	89	83	81	81	96	84
		1021	14837	4.102	106	104	94	91	86	80	79	82	94	82
		961	0	3.861	106	104	95	91	86	81	79	82	94	82
6	1235	0	42179	0.000	111	110	102	99	97	93	87	82	103	91
		805	29523	3.232	109	109	99	96	92	86	83	83	99	87
		1264	16508	5.077	108	108	97	94	89	83	81	84	97	85
		1190	0	4.779	108	108	97	94	90	84	81	84	98	86
7	1320	0	45083	0.000	113	113	103	101	99	95	89	84	105	93
		919	31555	3.692	110	112	101	97	94	88	84	85	101	89
		1444	17644	5.800	109	111	99	95	92	85	82	85	100	88
		1360	0	5.460	109	111	99	96	92	85	82	85	100	88
8	1400	0	47815	0.000	114	115	105	102	101	97	91	86	106	94
		1034	33468	4.153	111	114	102	99	96	90	85	86	103	91
		1625	18714	6.525	110	114	101	97	93	86	83	86	102	90
		1529	0	6.142	110	114	101	97	94	87	83	86	102	90

Performance certified is for installation type B - free inlet, ducted outlet. Power rating (kW) does not include transmission losses. Performance ratings do not include the effects of appurtenances (accessories). Values shown are for inlet Lwi and LwiA sound power levels for Installation Type B: free inlet, ducted outlet. The sound power level ratings shown are in decibels, referred to 10-12 watts, calculated per AMCA International Standard 301. The A-weighted sound ratings shown have been calculated per AMCA International Standard 301. Sound pressure level LpA (dBA) are not licensed by AMCA International.

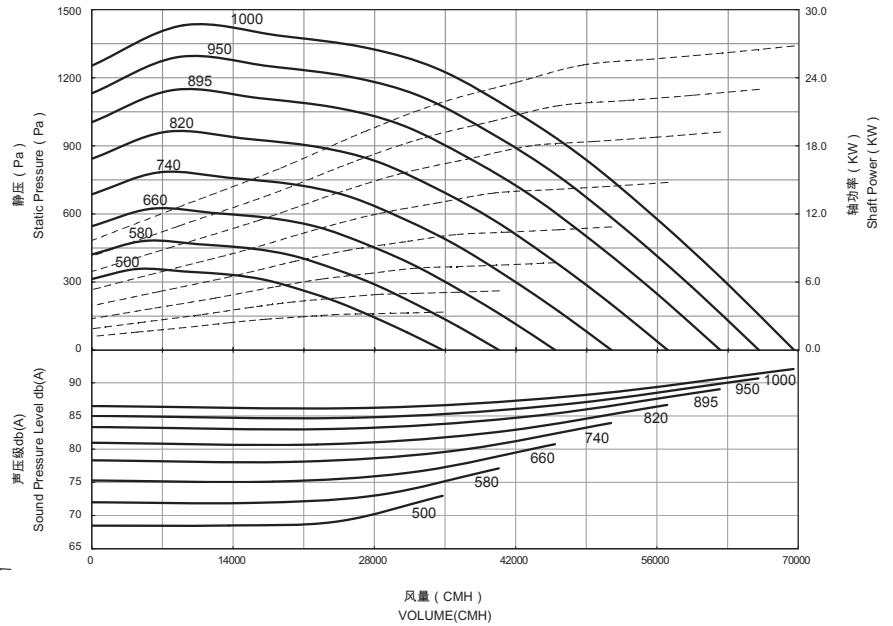
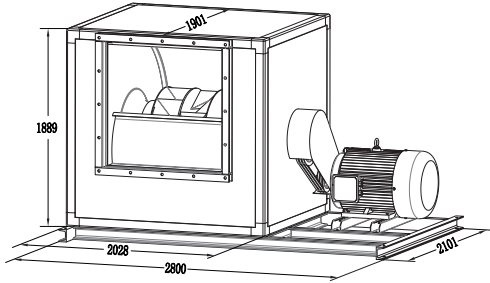
叶轮直径 Wheel Diameter – 809 mm
 最大转速 Max RPM – 1100 RPM
 最大风量 Max Volume – 54000 m³/h
 最大静压 Max SP – 1400 Pa
 风机重量 Weight – 713 Kg
 运输体积 Transport volume – 6.9 m³


CBF-800 噪音数据表

NO.	转速	静压	风量	静压	八段倍频								声功率级	声压级@1.5m
	RPM	Pa	CMH	in.Wg	1	2	3	4	5	6	7	8	LwA	LpA(dBA)
1	600	0	29313	0.000	95	89	87	85	81	75	70	65	86	74
		241	20517	0.968	94	86	83	80	74	71	71	72	82	70
		379	11472	1.521	93	84	81	77	71	69	72	76	81	69
		357	0	1.432	94	85	81	78	71	69	72	75	81	69
2	680	0	33221	0.000	100	92	90	89	84	79	74	69	90	78
		310	23253	1.244	100	90	86	84	78	73	74	75	86	74
		487	13002	1.954	99	88	84	81	74	71	74	78	84	72
		458	0	1.839	99	88	85	82	75	71	74	77	84	72
3	760	0	37130	0.000	104	95	93	92	88	82	77	72	93	81
		387	25989	1.554	103	93	89	87	81	76	76	77	89	77
		608	14532	2.441	103	91	87	84	77	73	76	80	87	75
		572	0	2.298	103	91	88	85	78	74	76	79	87	75
4	840	0	41038	0.000	106	99	95	94	90	85	80	75	96	84
		473	28724	1.898	105	97	92	90	84	79	78	79	92	80
		743	16061	2.982	105	95	90	87	81	76	78	81	90	78
		699	0	2.807	105	95	91	87	81	77	78	81	90	78
5	920	0	44946	0.000	109	102	98	96	93	88	82	77	98	86
		567	31460	2.277	107	101	95	92	87	82	80	81	94	82
		891	17591	3.577	106	99	93	89	84	79	79	83	92	80
		838	0	3.367	107	99	93	90	84	79	80	82	92	80
6	995	0	48610	0.000	110	105	100	98	95	90	85	80	100	88
		663	34025	2.663	109	104	97	94	89	84	82	83	96	84
		1042	19025	4.184	108	103	95	92	86	81	81	84	94	82
		981	0	3.938	108	103	95	92	87	81	81	84	95	83
7	1050	0	51297	0.000	112	108	101	99	97	92	86	81	102	90
		739	35905	2.966	110	106	98	95	91	85	83	84	98	86
		1160	20077	4.659	109	105	96	93	88	82	82	85	96	84
		1092	0	4.386	109	105	97	93	88	83	82	85	96	84
8	1100	0	53740	0.000	113	109	102	100	98	93	87	82	103	91
		811	37615	3.255	111	108	100	96	92	87	84	85	99	87
		1273	21033	5.114	110	107	98	94	89	83	82	86	97	85
		1199	0	4.814	110	107	98	95	90	84	83	86	98	86

Performance certified is for installation type B - free inlet, ducted outlet. Power rating (kW) does not include transmission losses. Performance ratings do not include the effects of appurtenances (accessories). Values shown are for inlet Lwi and LwiA sound power levels for Installation Type B: free inlet, ducted outlet. The sound power level ratings shown are in decibels, referred to 10-12 watts, calculated per AMCA International Standard 301. The A-weighted sound ratings shown have been calculated per AMCA International Standard 301. Sound pressure level LpA (dBA) are not licensed by AMCA International.

叶轮直径 Wheel Diameter – 910mm
 最大转速 Max RPM – 1000 RPM
 最大风量 Max Volume – 70000 m³/h
 最大静压 Max SP – 1500 Pa
 风机重量 Weight – 943 Kg
 运输体积 Transport volume – 9.6 m³

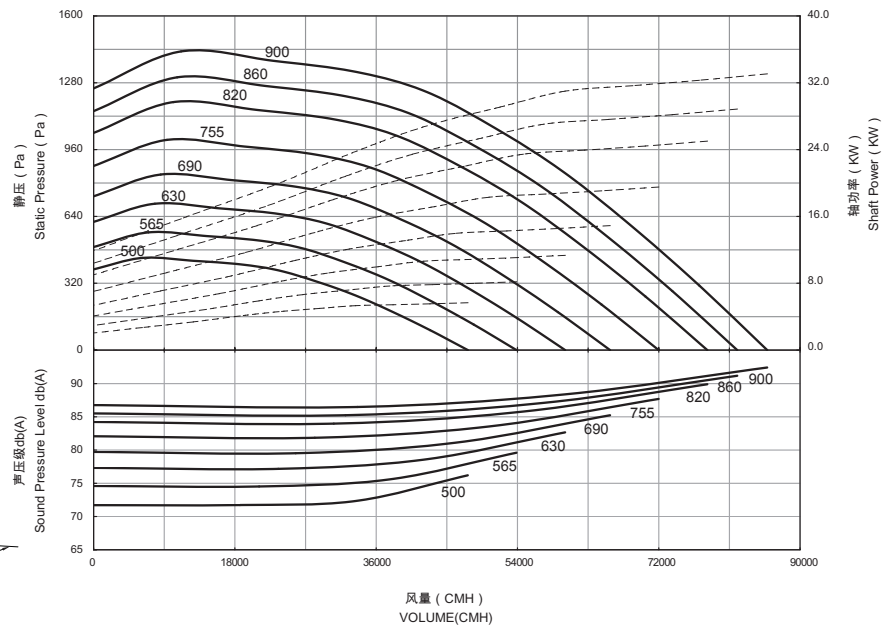
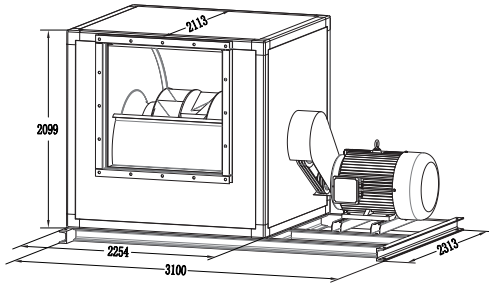


CBF-900 噪音数据表

NO.	转速	静压	风量	静压	八段倍频								声功率级	声压级@1.5m
	RPM	Pa	CMH	in.Wg	1	2	3	4	5	6	7	8	LwA	LpA(dBA)
1	500	0	34766	0.000	92	88	86	84	79	73	68	63	85	73
		212	24334	0.851	91	85	82	78	72	71	71	72	81	69
		333	13607	1.337	89	83	80	75	69	69	73	76	81	69
		313	0	1.258	90	83	80	75	70	70	72	75	80	68
2	580	0	40329	0.000	98	92	90	88	83	78	73	68	89	77
		285	28228	1.145	97	89	86	83	77	74	74	75	85	73
		448	15784	1.799	96	87	84	80	73	72	75	79	84	72
		422	0	1.693	96	87	84	80	74	72	75	78	84	72
3	660	0	45891	0.000	103	95	93	92	87	81	76	71	93	81
		369	32121	1.483	102	93	89	87	80	76	77	78	89	77
		580	17961	2.329	102	91	87	84	77	74	77	81	87	75
		546	0	2.193	102	91	88	84	77	74	77	80	87	75
4	740	0	51454	0.000	108	98	96	95	90	85	80	75	96	84
		464	36015	1.864	107	96	92	90	84	79	79	80	92	80
		729	20138	2.928	106	94	90	87	80	76	79	83	90	78
		686	0	2.756	106	94	91	88	81	77	79	82	90	78
5	820	0	57016	0.000	110	102	98	97	93	88	83	78	99	87
		570	39908	2.289	109	100	95	93	87	82	82	82	95	83
		895	22315	3.596	108	98	93	90	83	79	81	84	93	81
		843	0	3.384	108	98	94	90	84	79	81	84	93	81
6	895	0	62231	0.000	112	105	101	99	96	90	85	80	101	89
		679	43558	2.727	111	103	97	95	90	84	83	84	97	85
		1067	24356	4.283	110	102	96	92	86	81	83	86	95	83
		1004	0	4.032	110	102	96	93	87	82	83	86	95	83
7	950	0	66055	0.000	113	107	102	100	97	92	87	82	103	91
		765	46235	3.072	112	106	99	96	91	86	85	85	99	87
		1202	25853	4.826	111	104	97	94	88	83	84	87	97	85
		1131	0	4.543	111	105	98	94	89	83	84	87	97	85
8	1000	0	69532	0.000	115	109	104	102	99	94	88	83	104	92
		848	48669	3.404	113	108	101	98	93	88	86	86	100	88
		1331	27213	5.347	112	107	99	95	90	84	84	88	98	86
		1253	0	5.033	112	107	99	96	90	85	85	88	98	86

Performance certified is for installation type B - free inlet, ducted outlet. Power rating (kW) does not include transmission losses. Performance ratings do not include the effects of appurtenances (accessories). Values shown are for inlet Lwi and LwiA sound power levels for Installation Type B: free inlet, ducted outlet. The sound power level ratings shown are in decibels, referred to 10-12 watts, calculated per AMCA International Standard 301. The A-weighted sound ratings shown have been calculated per AMCA International Standard 301. Sound pressure level LpA (dBA) are not licensed by AMCA International.

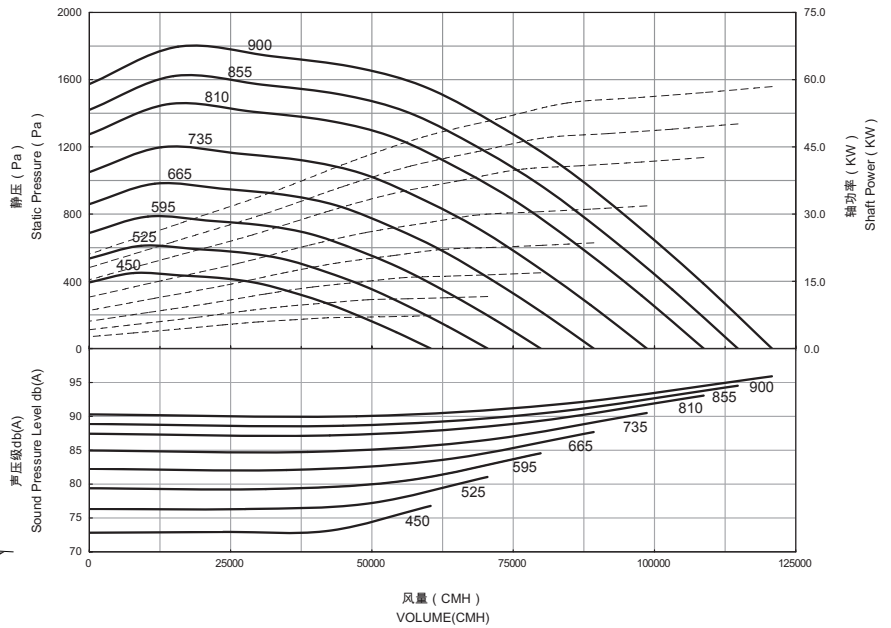
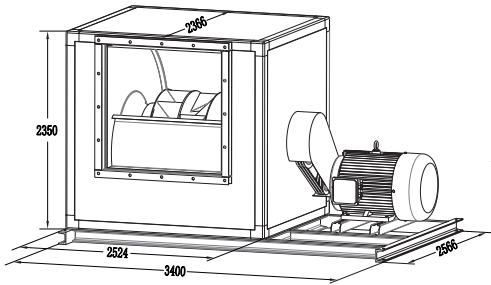
叶轮直径 Wheel Diameter – 1011 mm
 最大转速 Max RPM – 900 RPM
 最大风量 Max Volume – 86000 m³/h
 最大静压 Max SP – 1500 Pa
 风机重量 Weight – 1161 Kg
 运输体积 Transport volume – 12.8 m³


CBF-1000 噪音数据表

NO.	转速	静压	风量	静压	八段倍频								声功率级	声压级@1.5m	
	RPM	Pa	CMH	in.Wg	1	2	3	4	5	6	7	8	LwA	LpA(dBA)	
1	500	0	47674	0.000	96	91	90	87	82	76	71	66	88	76	
		262	33369	1.050	94	88	86	81	76	74	74	75	84	72	
		411	18659	1.650	93	86	83	78	72	73	73	76	79	84	72
		387	0	1.553	93	87	84	79	73	73	73	76	79	84	72
2	565	0	53872	0.000	101	94	92	90	86	80	75	70	92	80	
		334	37707	1.341	99	92	89	85	79	76	77	78	88	76	
		525	21084	2.107	98	90	86	82	76	75	78	81	87	75	
		494	0	1.983	99	90	87	82	76	75	78	81	87	75	
3	630	0	60070	0.000	105	97	95	93	89	83	78	73	95	83	
		415	42045	1.668	104	95	91	88	82	79	79	80	91	79	
		652	23510	2.620	103	93	89	85	79	76	80	83	89	77	
		614	0	2.466	103	93	90	86	79	77	80	83	89	77	
4	690	0	65791	0.000	109	100	97	96	92	86	81	76	97	85	
		498	46050	2.000	108	97	94	91	85	81	81	82	93	81	
		782	25749	3.142	107	95	92	88	81	78	81	85	92	80	
		737	0	2.958	107	96	92	89	82	78	81	84	92	80	
5	755	0	71988	0.000	112	102	99	98	94	88	83	78	100	88	
		596	50388	2.395	111	99	96	94	88	83	83	84	96	84	
		937	28175	3.762	110	98	94	91	84	80	83	86	94	82	
		882	0	3.541	110	98	94	91	85	80	83	86	94	82	
6	820	0	78186	0.000	114	105	102	100	97	91	86	81	102	90	
		703	54726	2.825	113	103	98	96	90	85	85	85	98	86	
		1105	30600	4.438	112	101	96	93	87	82	84	88	96	84	
		1040	0	4.177	112	101	97	94	87	83	84	87	96	84	
7	860	0	82000	0.000	115	107	103	101	98	92	87	82	103	91	
		774	57395	3.107	114	105	100	97	92	86	86	86	99	87	
		1215	32093	4.881	113	103	98	95	88	83	85	88	97	85	
		1144	0	4.595	113	104	98	95	89	84	85	88	98	86	
8	900	0	85814	0.000	116	109	104	102	99	94	88	83	104	92	
		847	60065	3.403	114	107	101	98	93	88	87	87	100	88	
		1331	33586	5.346	114	105	99	96	90	85	86	89	98	86	
		1253	0	5.032	114	106	99	96	90	85	86	89	99	87	

Performance certified is for installation type B - free inlet, ducted outlet. Power rating (kW) does not include transmission losses. Performance ratings do not include the effects of appurtenances (accessories). Values shown are for inlet Lwi and LwiA sound power levels for Installation Type B: free inlet, ducted outlet. The sound power level ratings shown are in decibels, referred to 10-12 watts, calculated per AMCA International Standard 301. The A-weighted sound ratings shown have been calculated per AMCA International Standard 301. Sound pressure level LpA (dBA) are not licensed by AMCA International.

叶轮直径 Wheel Diameter – 1133 mm
 最大转速 Max RPM – 900 RPM
 最大风量 Max Volume – 120000 m³/h
 最大静压 Max SP – 1800 Pa
 风机重量 Weight – 1682 Kg
 运输体积 Transport volume – 17.4 m³

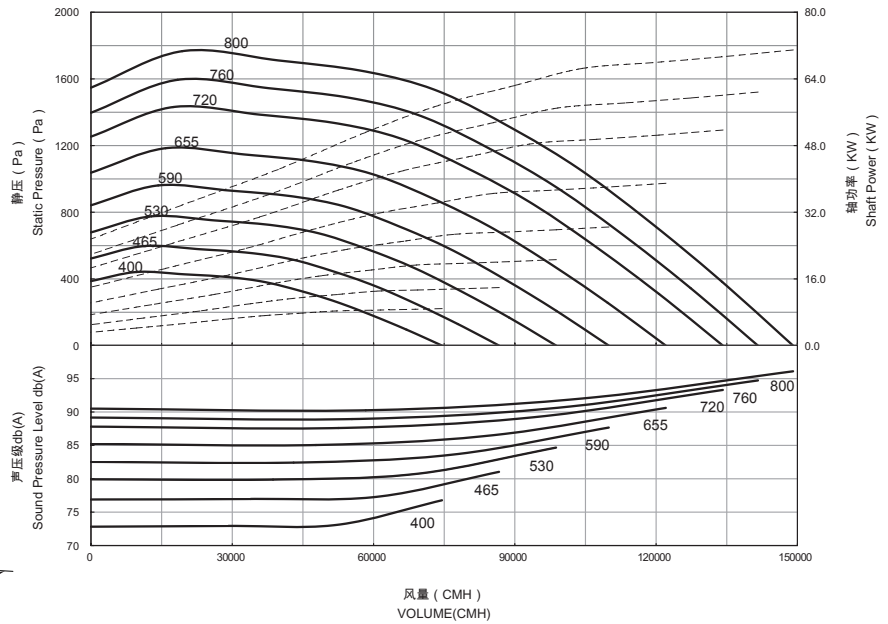
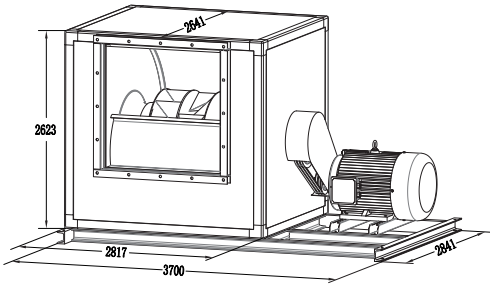


CBF-1120 噪音数据表

NO.	转速	静压	风量	静压	八段倍频								声功率级	声压级@1.5m	
	RPM	Pa	CMH	in.Wg	1	2	3	4	5	6	7	8	LwA	LpA(dBA)	
1	450	0	60390	0.000	96	92	91	88	82	77	72	67	89	77	
		266	42269	1.069	94	89	86	81	76	75	76	76	85	73	
		418	23635	1.679	92	87	84	78	73	74	74	78	81	85	73
		393	0	1.580	92	87	84	79	74	74	77	80	85	73	
2	525	0	70455	0.000	102	96	94	92	87	81	76	71	93	81	
		362	49314	1.454	100	93	90	86	81	78	79	80	89	77	
		569	27574	2.285	99	91	88	83	77	77	80	84	88	76	
		536	0	2.151	99	92	88	84	78	77	80	83	88	76	
3	595	0	79849	0.000	107	99	97	95	91	85	80	75	97	85	
		465	55890	1.868	105	97	93	90	84	81	82	82	92	80	
		731	31251	2.935	105	95	91	87	81	79	82	86	91	79	
		688	0	2.762	105	95	92	88	81	79	82	85	91	79	
4	665	0	89243	0.000	111	102	100	98	94	88	83	78	100	88	
		581	62465	2.333	110	100	96	94	87	83	84	84	96	84	
		913	34928	3.666	109	98	94	91	84	81	84	88	94	82	
		859	0	3.451	110	98	95	91	84	81	84	87	94	82	
5	735	0	98637	0.000	115	105	102	101	97	91	86	81	102	90	
		710	69040	2.851	114	102	99	97	90	85	86	87	98	86	
		1115	38604	4.478	114	101	97	94	87	83	86	89	97	85	
		1050	0	4.215	114	101	97	94	87	83	86	89	97	85	
6	810	0	108702	0.000	117	108	105	103	100	94	89	84	105	93	
		862	76085	3.462	116	106	101	99	93	88	88	89	101	89	
		1354	42543	5.439	116	104	100	96	90	85	88	91	99	87	
		1275	0	5.119	116	105	100	97	90	86	88	90	99	87	
7	855	0	114741	0.000	118	110	106	105	101	96	90	85	107	95	
		960	80312	3.857	117	108	103	100	95	90	89	90	102	90	
		1509	44907	6.060	117	107	101	98	91	87	88	92	101	89	
		1420	0	5.704	117	107	101	98	92	87	89	91	101	89	
8	900	0	120780	0.000	120	112	108	106	103	97	92	87	108	96	
		1064	84539	4.274	118	110	104	102	96	91	90	91	104	92	
		1672	47270	6.714	118	109	103	99	93	88	89	93	102	90	
		1574	0	6.320	118	109	103	100	94	89	89	92	102	90	

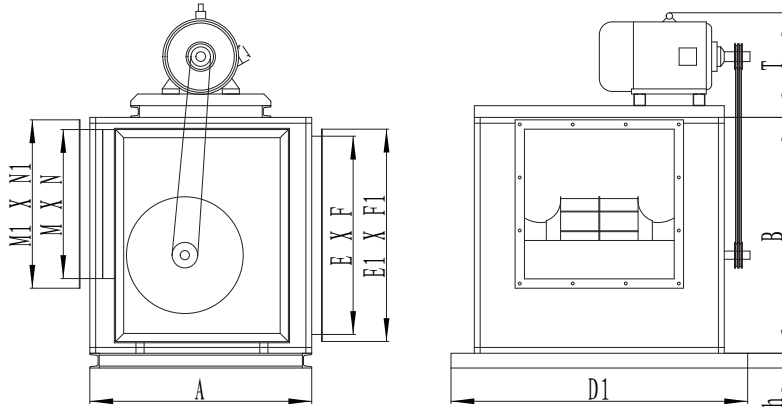
Performance certified is for installation type B - free inlet, ducted outlet. Power rating (kW) does not include transmission losses. Performance ratings do not include the effects of appurtenances (accessories). Values shown are for inlet Lwi and LwiA sound power levels for Installation Type B: free inlet, ducted outlet. The sound power level ratings shown are in decibels, referred to 10-12 watts, calculated per AMCA International Standard 301. The A-weighted sound ratings shown have been calculated per AMCA International Standard 301. Sound pressure level LpA (dBA) are not licensed by AMCA International.

叶轮直径 Wheel Diameter – 1264 mm
 最大转速 Max RPM – 800 RPM
 最大风量 Max Volume – 150000 m³/h
 最大静压 Max SP – 1800 Pa
 风机重量 Weight – 2099 Kg
 运输体积 Transport volume – 23.5 m³


CBF-1250 噪音数据表

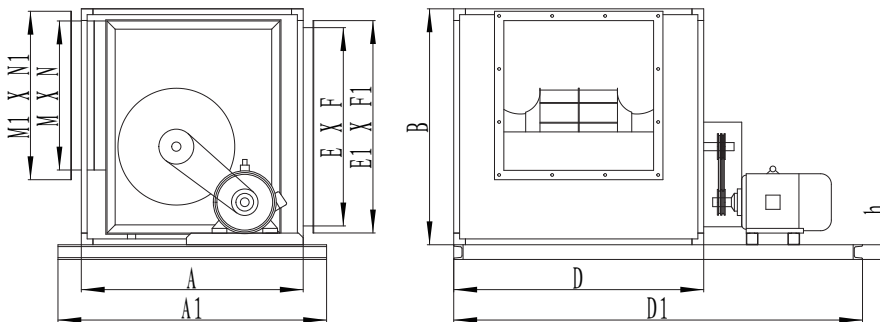
NO.	转速	静压	风量	静压	八段倍频								声功率级	声压级@1.5m
	RPM	Pa	CMH	in.Wg	1	2	3	4	5	6	7	8	LwA	LpA(dBA)
1	400	0	74535	0.000	95	92	91	88	82	77	72	67	89	77
		262	52171	1.051	92	89	87	81	76	76	77	77	85	73
		411	29172	1.651	91	87	84	78	73	76	79	82	86	74
		387	0	1.554	91	88	85	78	74	76	79	81	86	74
2	465	0	86647	0.000	101	96	95	92	86	81	76	71	93	81
		354	60648	1.420	99	93	91	86	80	79	80	80	89	77
		555	33912	2.231	97	91	88	82	77	78	81	85	89	77
		523	0	2.100	98	92	89	83	78	78	81	84	89	77
3	530	0	98759	0.000	106	100	98	95	90	85	80	75	97	85
		459	69126	1.845	104	97	94	90	84	82	82	83	93	81
		722	38652	2.898	103	95	92	87	81	80	84	87	92	80
		679	0	2.728	103	95	92	87	81	81	83	86	92	80
4	590	0	109940	0.000	110	103	100	98	94	88	83	78	100	88
		569	76952	2.286	109	100	97	93	87	84	85	85	96	84
		894	43028	3.591	108	98	94	90	84	82	85	89	94	82
		842	0	3.381	108	98	95	91	84	82	85	88	95	83
5	655	0	122052	0.000	114	105	103	101	97	91	86	81	103	91
		702	85429	2.818	113	103	99	96	90	86	87	87	99	87
		1102	47768	4.426	112	101	97	94	87	84	87	91	97	85
		1037	0	4.166	113	101	98	94	87	84	87	90	97	85
6	720	0	134164	0.000	118	108	105	104	100	94	89	84	105	93
		848	93907	3.405	117	105	102	99	93	88	89	89	101	89
		1332	52509	5.348	117	104	100	97	89	85	89	92	100	88
		1254	0	5.034	117	104	100	97	90	86	89	92	100	88
7	760	0	141617	0.000	119	109	106	105	101	95	90	85	107	95
		945	99124	3.793	119	107	103	101	95	90	90	91	103	91
		1484	55426	5.959	118	105	101	98	91	87	90	93	101	89
		1397	0	5.609	118	105	102	98	92	87	90	93	101	89
8	800	0	149071	0.000	120	111	108	106	103	97	92	87	108	96
		1047	104341	4.203	120	109	105	102	96	91	91	92	104	92
		1644	58343	6.603	119	107	103	99	93	88	91	94	102	90
		1548	0	6.215	119	107	103	100	93	89	91	94	103	91

Performance certified is for installation type B - free inlet, ducted outlet. Power rating (kW) does not include transmission losses. Performance ratings do not include the effects of appurtenances (accessories). Values shown are for inlet Lwi and LwiA sound power levels for Installation Type B: free inlet, ducted outlet. The sound power level ratings shown are in decibels, referred to 10-12 watts, calculated per AMCA International Standard 301. The A-weighted sound ratings shown have been calculated per AMCA International Standard 301. Sound pressure level LpA (dBA) are not licensed by AMCA International.



CBF电机顶置外形尺寸表

型号Model	A	B	M	N	M1	N1	E	F	E1	F1	D1	h	T
CBF-355	750	745	454	454	514	514	584	640	644	700	960	50	525
CBF-400	845	839	512	512	572	572	658	721	718	781	1061	50	530
CBF-450	951	944	575	575	635	635	740	811	800	871	1174	63	625
CBF-500	1056	1049	639	639	699	699	823	901	883	961	1287	63	625
CBF-560	1183	1175	716	716	776	776	921	1010	981	1070	1462	63	630
CBF-630	1331	1322	806	806	866	866	1036	1136	1096	1196	1620	63	765



CBF电机侧置外形尺寸表

型号Model	A	B	M	N	M1	N1	E	F	E1	F1	A1	D1	h
CBF-710	1500	1490	908	908	968	968	1168	1280	1228	1340	1700	2300	80
CBF-800	1690	1679	1023	1023	1083	1083	1316	1442	1376	1502	1890	2500	80
CBF-900	1901	1889	1151	1151	1211	1211	1481	1623	1541	1683	2101	2800	100
CBF-1000	2113	2099	1279	1279	1339	1339	1645	1803	1705	1863	2313	3100	100
CBF-1120	2366	2350	1432	1432	1492	1492	1842	2019	1902	2079	2566	3400	100
CBF-1250	2641	2623	1599	1599	1659	1659	2056	2254	2116	2314	2841	3700	100



Walker Company

中国 上海

更多详情请登录网站

www.walker-fan.com