



INDUSTRIAL DIRECT DRIVE 16

Ambient (Unheated) Air Curtain

Data Sheet

For Mounting Heights To 16' (environmental separation) and 14' (insect control)

STANDARD CONSTRUCTION

- Single speed T.E.A.O. motor(s) - direct drive
- Gray powder coated exterior (Optional: Custom Color or Stainless)
- Split cabinet construction for fan assembly removal
- Top Mounting only
- Front air intake (Optional: top)
- High efficiency Pro-V Nozzle



Berner International certifies that the air curtains shown herein are licensed to bear the AMCA Seal. The ratings shown are based on tests and procedures performed in accordance with AMCA Publication 211 and comply with the requirements of the AMCA Certified Ratings Program. Rated data shown is for base (unheated) units. The AMCA Certified Ratings Seal applies to airflow rate, average outlet velocity, outlet velocity uniformity, velocity projection and power rating at free delivery only.

Models IDC16-1084A, IDC16-1108A, IDC16-1132A, IDC16-1156A and IDC16-2180A are not licensed to bear the AMCA seal.

**5 Year
Limited
Warranty**



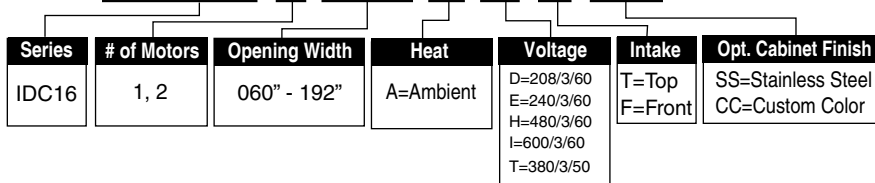
MODEL	Nozzle Width (in)	Max Vel. at Nozzle (fpm)	Avg. Outlet Vel. (fpm)	Air Volume (cfm)	Outlet Vel. Uniformity	Power Rating (kW)	Motor(s) @ hp	Net Wt. (lbs)
IDC16-1060A	60.00	5,145	3,302	5,359	85%	2.80	1 @ 3	370
IDC16-1072A	72.00	5,005	2,944	6,256	91%	2.90	1 @ 3	410
IDC16-1084A	84.00	4,644	2,732	6,772	89%	3.00	1 @ 3	450
IDC16-1096A	96.00	5,352	3,148	8,920	87%	4.10	1 @ 5	550
IDC16-1108A	108.00	5,236	3,080	9,817	86%	4.20	1 @ 5	670
IDC16-1120A	117.00	6,012	3,627	12,526	87%	4.80	1 @ 7.5	705
IDC16-1132A	132.00	5,602	3,296	12,839	86%	4.90	1 @ 7.5	755
IDC16-1144A	144.00	5,225	3,074	13,062	85%	5.40	1 @ 7.5	795
IDC16-1156A	156.00	4,943	2,908	13,388	84%	5.50	1 @ 7.5	845
IDC16-2168A	168.00	5,203	3,061	15,176	89%	7.00	1 @ 5, 1 @ 3	950
IDC16-2180A	180.00	5,143	3,026	16,073	87%	7.10	1 @ 5, 1 @ 3	1,015
IDC16-2192A	192.00	5,352	3,148	17,840	87%	8.20	2 @ 5	1,080

NOTE:

1. Operation at 50 Hz will generate approximately a 17% reduction in air performance.
 2. Consult factory for vertically mounted units.
- See sheet EP-420 for amp draws/total load requirements.

MODEL NUMBER CONFIGURATION

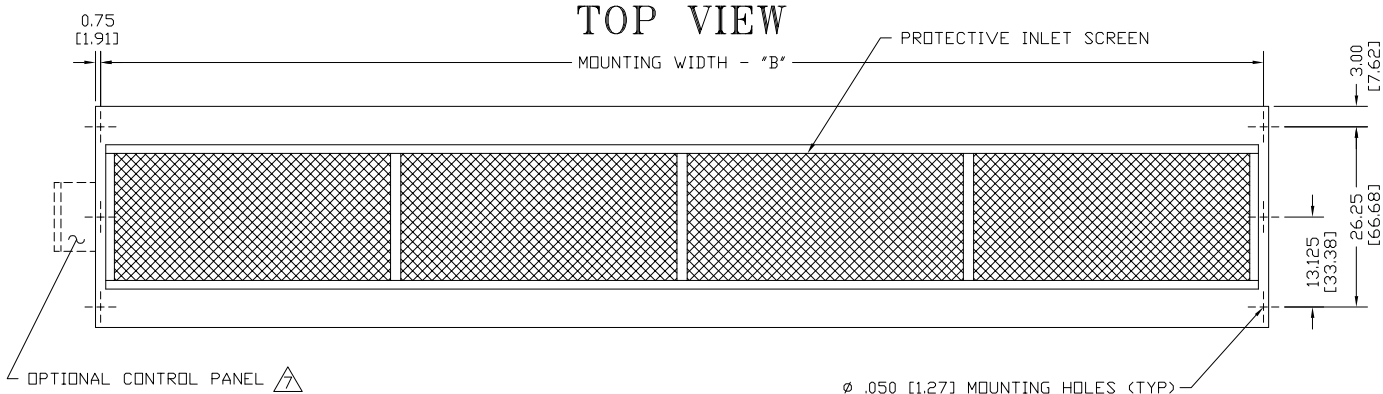
IDC16-1 060 A D-F-SS



VELOCITY PROFILE: Model IDC16-1060A				
Distance from Nozzle (in)	40	80	120	160
Core Velocity (fpm)	4227	2320	1840	1560
Uniformity (%)	89	88	88	85

Sound level measured 10' (3m) from the unit in free field:
3, 5, 7½, (5 + 3) & (5 + 5) hp motor(s):
68 dBA, 70 dBA, 71 dBA, 72 dBA & 73 dBA
Sound data is not AMCA certified.

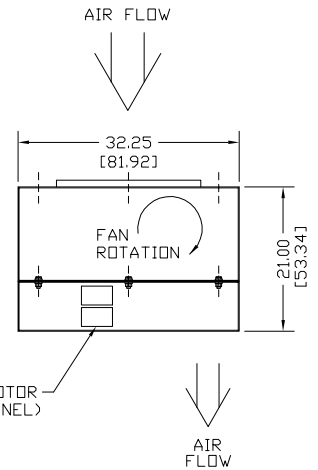
Berner reserves the right to alter specifications without prior notice.



FRONT VIEW

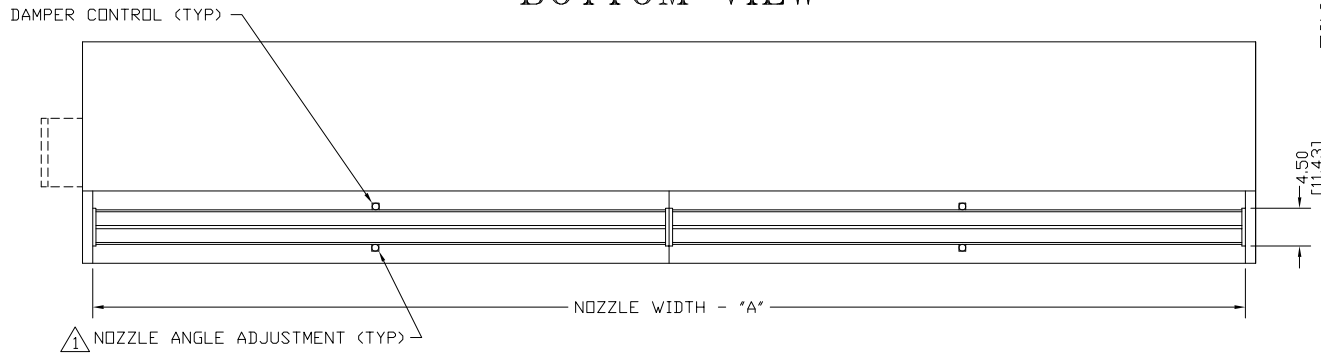
IDC16 AMBIENT SYSTEM TOP INTAKE

END VIEW



ONE JUNCTION BOX PER MOTOR
(REQUIRED FOR REMOTE PANEL)
2.75 x 4.50 x 2.00
[6.99 x 11.43 x 5.08]

BOTTOM VIEW



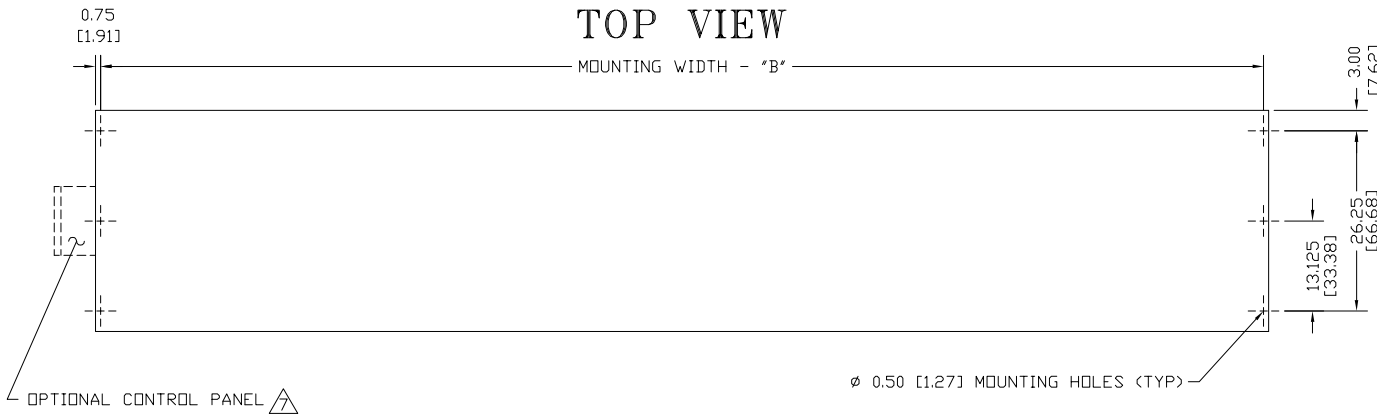
NOTES:

- ① AIR CURTAIN MUST BE INSTALLED SO AIR STREAM IS NOT OBSTRUCTED WHEN DEFLECTED 20° TO EITHER SIDE OF \bar{C} .
- ② ELECTRICAL CONNECTIONS TO BE FLEXIBLE.
- ③ FIELD VERIFY DIMENSIONS.
- ④ ANCHORS TO SUPPORTING STRUCTURE BY OTHERS.
- ⑤ ADEQUACY OF SUPPORTING STRUCTURE IS TO BE VERIFIED BY A PROFESSIONAL STRUCTURAL ENGINEER.
- ⑥ LETTER 'A' IN MODEL NUMBER DESIGNATES, AN AMBIENT UNIT. THE 'T' DESIGNATES TOP INTAKE.
- ⑦ OPTIONAL CONTROL PANEL AVAILABLE: LEFT HAND MOUNT, RIGHT HAND MOUNT, OR REMOTE. PLEASE SPECIFY.
- ⑧ DIMENSIONS IN INCHES [CENTIMETERS].

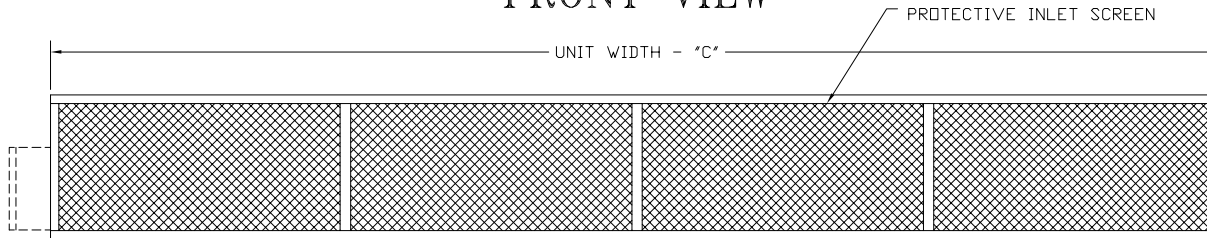
MODEL ⑥	NOZZLE WIDTH "A"	MOUNTING WIDTH "B"	UNIT WIDTH "C"
IDC16-1060A-T	60.00 [152.40]	61.50 [156.21]	63.00 [160.02]
IDC16-1072A-T	72.00 [182.88]	73.50 [186.69]	75.00 [190.50]
IDC16-1084A-T	84.00 [213.36]	85.50 [217.17]	87.00 [220.98]
IDC16-1096A-T	96.00 [243.84]	97.50 [247.65]	99.00 [251.46]
IDC16-1108A-T	108.00 [274.32]	109.50 [278.13]	111.00 [281.94]
IDC16-1120A-T	117.00 [297.18]	118.50 [300.99]	120.00 [304.80]
IDC16-1132A-T	132.00 [335.28]	133.50 [339.09]	135.00 [342.90]
IDC16-1144A-T	144.00 [365.76]	145.50 [369.57]	147.00 [373.38]
IDC16-1156A-T	156.00 [396.24]	157.50 [400.05]	159.00 [403.86]
IDC16-2168A-T	168.00 [426.72]	169.50 [430.53]	171.00 [434.34]
IDC16-2180A-T	180.00 [457.20]	181.50 [461.01]	183.00 [464.82]
IDC16-2192A-T	192.00 [487.68]	193.50 [491.49]	195.00 [495.30]

PROJECT		TITLE:	BERNER
LOCATION		DATE	02JUNE14
ARCHITECT		BY	S. Beil
ENGINEER		REPLACES	-
		BY	-
		MODEL IDC16 AIR CURTAIN TOP INTAKE AMBIENT SYSTEM	
		BERNER INTERNATIONAL CORP. NEW CASTLE, PA.	

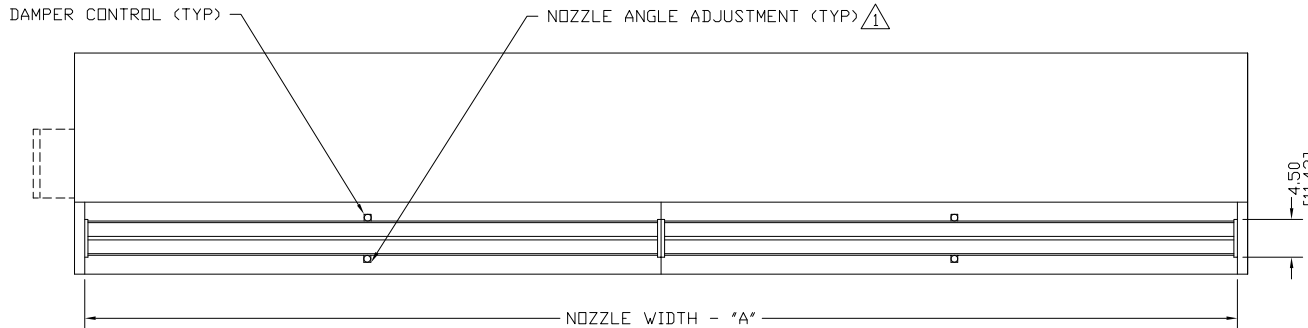
IDC 16 AMBIENT SYSTEM FRONT INTAKE



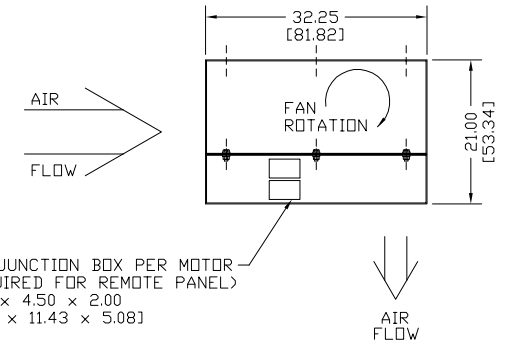
FRONT VIEW



BOTTOM VIEW



END VIEW



NOTES:

- 1 AIR CURTAIN MUST BE INSTALLED SO AIR STREAM IS NOT OBSTRUCTED WHEN DEFLECTED 20° TO EITHER SIDE OF C.
- 2 ELECTRICAL CONNECTIONS TO BE FLEXIBLE.
- 3 FIELD VERIFY DIMENSIONS.
- 4 ANCHORS TO SUPPORTING STRUCTURE BY OTHERS.
- 5 ADEQUACY OF SUPPORTING STRUCTURE IS TO BE VERIFIED BY A PROFESSIONAL STRUCTURAL ENGINEER.
- 6 LETTER "A" IN MODEL NUMBER DESIGNATES, AN AMBIENT UNIT. THE "F" DESIGNATES FRONT INTAKE.
- 7 OPTIONAL CONTROL PANEL AVAILABLE: LEFT HAND MOUNT, RIGHT HAND MOUNT, OR REMOTE. PLEASE SPECIFY.
- 8 DIMENSIONS IN INCHES [CENTIMETERS].

MODEL	NOZZLE WIDTH "A"	MOUNTING WIDTH "B"	UNIT WIDTH "C"
IDC16-1060A-F	60.00 [152.40]	61.50 [156.21]	63.00 [160.02]
IDC16-1072A-F	72.00 [182.88]	73.50 [186.69]	75.00 [190.50]
IDC16-1084A-F	84.00 [213.36]	85.50 [217.17]	87.00 [220.98]
IDC16-1096A-F	96.00 [243.84]	97.50 [247.65]	99.00 [251.46]
IDC16-1108A-F	108.00 [274.32]	109.50 [278.13]	111.00 [281.94]
IDC16-1120A-F	117.00 [297.18]	118.50 [300.99]	120.00 [304.80]
IDC16-1132A-F	132.00 [335.28]	133.50 [339.09]	135.00 [342.90]
IDC16-1144A-F	144.00 [365.76]	145.50 [369.57]	147.00 [373.38]
IDC16-1156A-F	156.00 [396.24]	157.50 [400.05]	159.00 [403.86]
IDC16-2168A-F	168.00 [426.72]	169.50 [430.53]	171.00 [434.34]
IDC16-2180A-F	180.00 [457.20]	181.50 [461.01]	183.00 [464.82]
IDC16-2192A-F	192.00 [487.68]	193.50 [491.49]	195.00 [495.30]

PROJECT		TITLE: BERNER
LOCATION		MODEL IDC16 AIR CURTAIN
ARCHITECT		FRONT INTAKE AMBIENT SYSTEM
ENGINEER		
DWG. NO.	IDC16-AMB2	
DATE	02JUNE14	
BY	S. Beil	
REPLACES	-	
BY	-	BERNER INTERNATIONAL CORP. NEW CASTLE, PA.