

CONTROL DAMPERS
Heavy Duty 16 Ga. Steel Blade

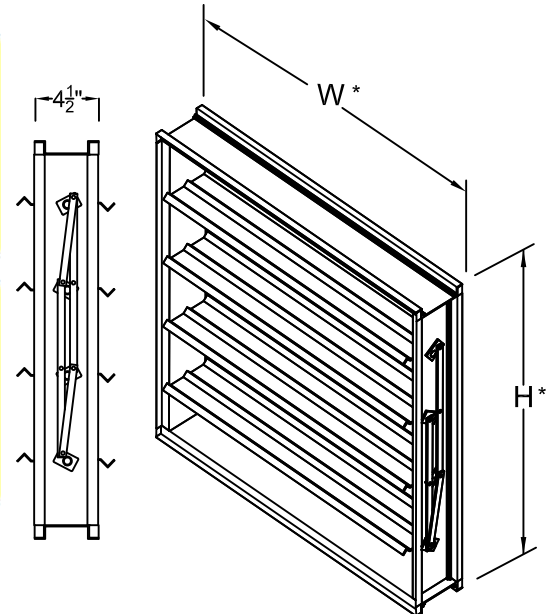
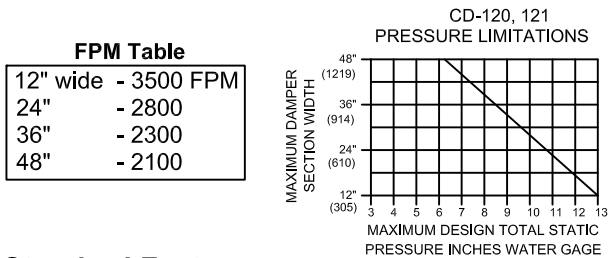
OPPOSED BLADE - PARALLEL BLADE DAMPER

Suggested Specifications:

Furnish and install at location shown on drawing or in accordance with schedules dampers meeting the following specifications: Rectangular damper shall have 16 gauge galvanized steel blades with galvanized steel frame. Damper to be equal to United Enertech MODEL CD-120 or CD-121.

Ratings:

Pressure - up to 12" [305mm] w.g. - See pressure limit table



Standard Features:

- Frame:** 4-1/2" [114mm] deep, 16ga. Formed Galv. Steel
- Blades:** 6" [152mm] wide, 16ga. Formed Galv. Steel
- Bearing:** Bronze Oilite
- Linkage:** Concealed in frame
- Axles:** Ø1/2" [13mm] plated steel
- Control Shaft:** Ø1/2" x 6" [13mm x 152mm] long shaft supplied with all single section dampers for field mounted actuators. Factory-installed jackshaft supplied with all multiple section dampers

*Undersized 1/4" [6.35mm]
 Minimum Size: 6"w x 8"h [152mm x 203mm] (single blade)
 Minimum Size: 6"w x 13"h [152mm x 330mm] (multiple blades)
 Maximum Size: 48"w x 60"h [1219mm x 1524mm] (single section)
 Maximum multi-section: unlimited

Options:

- Blade Seals PVC (180° F) [82°C]
- Compression Jamb Seals (stainless steel)
- Hand Quadrant
- Chain Operate
- Factory Installed Pneumatic or Electric Actuators (see cat. sheet K-1)
- Stand Off Bracket, 2" [51mm]
- Header Plates (end flange)
- Position Switch
- Single Flange
- Double Flange
 - Bolt holes in flange
- Heresite coated (air dry)
- Epoxy coated (powder coated)
- Stainless Steel Bushings
- 304 stainless steel construction
- 304L stainless steel construction*
- 316 stainless steel construction*
- 316L stainless steel construction*
- 14ga. construction
- 12ga. construction
- 10ga. construction
- 6-1/2" [165mm] deep frame
- Face and Bypass Damper (*304 stainless steel linkage)



Job Name:	<input type="checkbox"/> MODEL CD-120 (Opposed)		
Location:	<input type="checkbox"/> MODEL CD-121 (Parallel)		
Architect:	DRAWN BY:	DATE:	REV. DATE:
Engineer:	CLJ	August 2008	November 2014
Contractor:	REV. NO.	APPROVED BY:	DWG. NO.:
	9	BGT	A-6

MODEL CD-120 PERFORMANCE DATA

Imperial Units (Forward Flow)

Damper Width X Height	1 in. w.g. Class	4 in. w.g. Class	8 in. wg Class	*Torque (per sq. ft.)
12" X 48"	Class 1A	Class 1	Class 1	11.5 lbs-in
48" X 36"	Class 1A	Class 1	Class 1	11.33 lbs-in

Air leakage is based on operation between 50° F to 104° F. All data corrected to represent air density of 0.075 lbs/ft³

Imperial Units (Reverse Flow)

Damper Width X Height	1 in. w.g. Class	4 in. w.g. Class	8 in. wg Class	*Torque (per sq. ft.)
12" X 48"	Class 1A	Class 1	Class 1	11.5 lbs-in
48" X 36"	Class 1A	Class 1	Class 2	11.33 lbs-in

*Torque applied to hold damper in closed position

Standard International Units (Forward Flow)

Damper Width X Height (mm)	250 Pa Class	1 KPa Class	2 KPa Class	*Torque (per sq. m.)
305 X 1220	Class 1A	Class 1	Class 1	13.97 N-m
1220 X 915	Class 1A	Class 1	Class 1	13.77 N-m

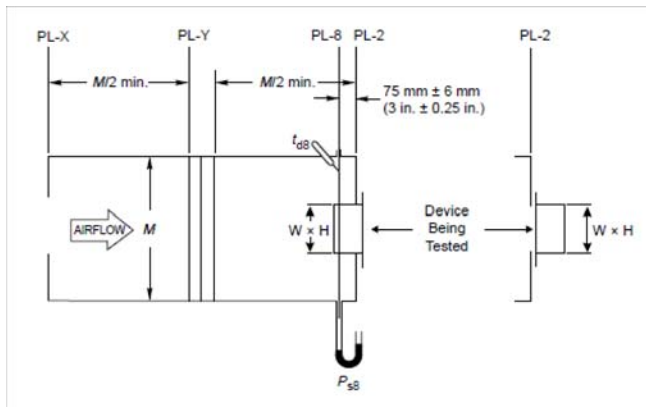
Air leakage is based on operation between 10° C to 40° C. All data corrected to represent air density of 1.201 kg/m³.

Standard International Units (Reverse Flow)

Damper Width X Height (mm)	250 Pa Class	1 KPa Class	2 KPa Class	*Torque (per sq. m.)
305 X 1220	Class 1A	Class 1	Class 1	13.97 N-m
1220 X 915	Class 1A	Class 1	Class 2	13.77 N-m

*Torque applied to hold damper in closed position

Air leakage is based on operation between 50° F to 104° F. All data corrected to represent air density of 0.075 lbs/ft³. Tested per AMCA Standard 500-D (leakage), figure 5.4 Alternate.



AMCA Standard 500-D (leakage), figure 5.4 Alternate.



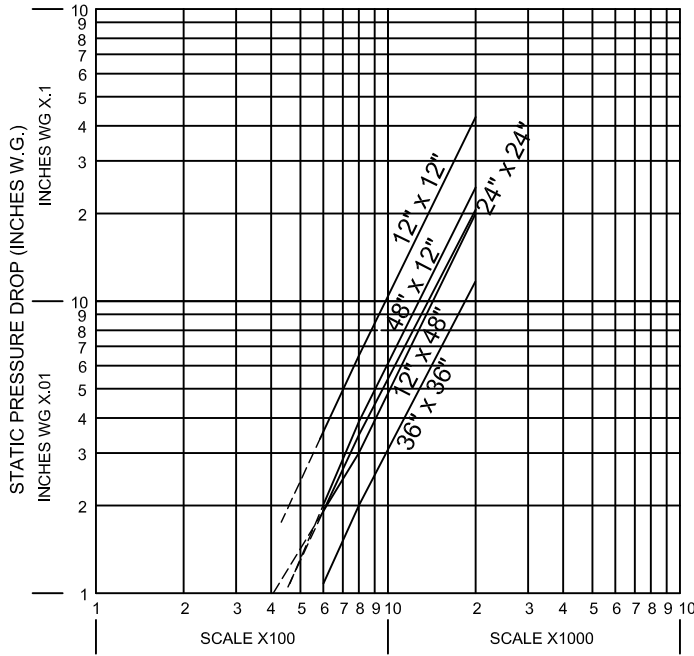
United Enertech certifies that the CD-120 is licensed to bear the AMCA Seal. The ratings shown are based on tests and procedures performed in accordance with AMCA Publication 511 and comply with the requirements of the AMCA Certified Ratings Program. The AMCA Certified Rating Seal applies to Air Performance and Air Leakage ratings.

Pressure Class	Leakage, ft ³ /min /ft ²			
	Required Rating	Extended Ranges (optional)		
	1"	4"	8"	12"
1A	3	n/a	n/a	n/a
1	4	8	11	14
2	10	20	28	35
3	40	80	112	140

All data corrected to represent standard air at a density of 0.075 lbs/ft³

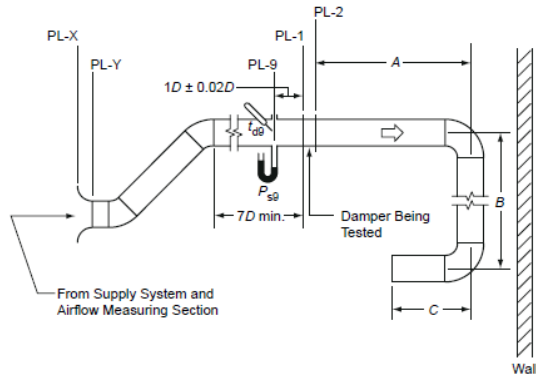
MODEL CD-120, 121 PERFORMANCE DATA

AIR FLOW RESISTANCE



CD-120, 121 sizes: 12" x 12", 24" x 24", 48" x 12", 12" x 48", 36" x 36"
 (305 x 305mm, 610 x 610mm, 1219 x 305mm, 305 x 1219mm, 914 x 914mm)
 Data corrected to standard air density

Pressure drop test per AMCA Standard 500-D, Figure 5.3.



AMCA Figure 5.3 Pressure Drop



United Enertech certifies that the CD-120 is licensed to bear the AMCA Seal. The ratings shown are based on tests and procedures performed in accordance with AMCA Publication 511 and comply with the requirements of the AMCA Certified Ratings Program. The AMCA Certified Rating Seal applies to Air Performance and Air Leakage ratings.



United Enertech certifies that the CD-121 is licensed to bear the AMCA Seal. The ratings shown are based on tests and procedures performed in accordance with AMCA Publication 511 and comply with the requirements of the AMCA Certified Ratings Program. The AMCA Certified Rating Seal applies to Air Performance ratings only.

12"x48" Pressure Drop			
Face Velocity		Pressure Drop	
fpm	(m/s)	inches w.g.	(Pa)
607	3.10	0.02	5
802	4.09	0.03	8
1202	6.13	0.07	18
1605	8.19	0.14	34
2006	10.23	0.21	53

Pressure drop test per AMCA Standard 500-D, Figure 5.3.

12"x12" Pressure Drop			
Face Velocity		Pressure Drop	
fpm	(m/s)	inches w.g.	(Pa)
586	2.99	0.03	8
806	4.11	0.07	16
1206	6.15	0.15	38
1611	8.22	0.27	67
2025	10.33	0.43	106

Pressure drop test per AMCA Standard 500-D, Figure 5.3.

24"x24" Pressure Drop			
Face Velocity		Pressure Drop	
fpm	(m/s)	inches w.g.	(Pa)
598	3.05	0.02	5
802	4.09	0.04	9
1202	6.13	0.08	19
1594	8.13	0.14	34
2000	10.20	0.21	53

Pressure drop test per AMCA Standard 500-D, Figure 5.3.

36"x36" Pressure Drop			
Face Velocity		Pressure Drop	
fpm	(m/s)	inches w.g.	(Pa)
592	3.02	0.01	3
794	4.05	0.02	5
1196	6.10	0.05	11
1598	8.15	0.08	20
2006	10.23	0.12	30

Pressure drop test per AMCA Standard 500-D, Figure 5.3.

48"x12" Pressure Drop			
Face Velocity		Pressure Drop	
fpm	(m/s)	inches w.g.	(Pa)
601	3.07	0.02	5
804	4.10	0.04	9
1206	6.15	0.09	21
1605	8.19	0.15	38
2009	10.25	0.24	60

Pressure drop test per AMCA Standard 500-D, Figure 5.3.