



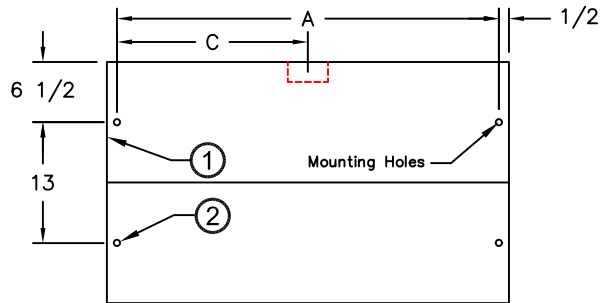
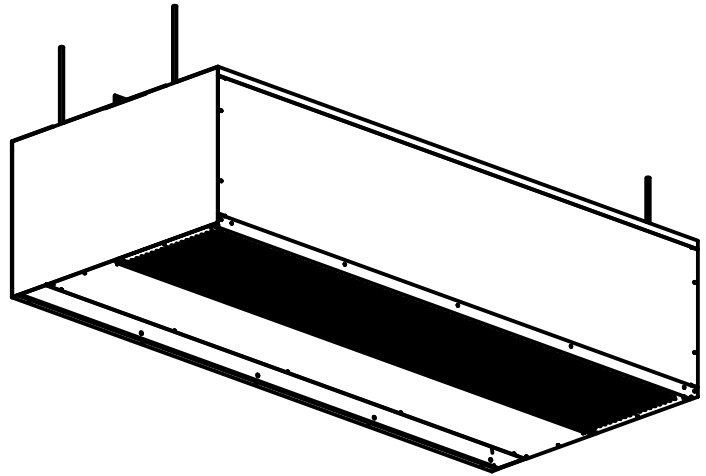
atmosphere is everything

14716 S. Broadway • Gardena, CA 90248 • USA  
 TEL:(310) 532-1555 • (800) 421-1266 • FAX:(310) 324-3030  
 Web Site: www.marsair.com • E-mail: info@marsair.com

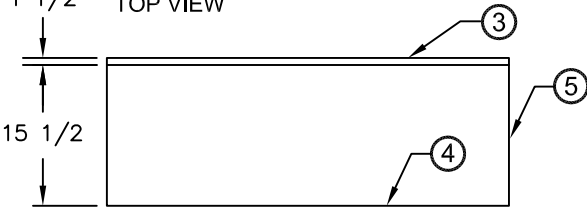
PROJECT		OPTIONS/ITEMS	
TITLE			
COMMENTS		DATE 9/12/14	PAGE
		REV. NO	
MODEL NO. PH12 Series	DRAWING NO PH12U-F	DRAWN BY TVN	CHECKED BY
		FILE NAME	

# Unheated Drawing

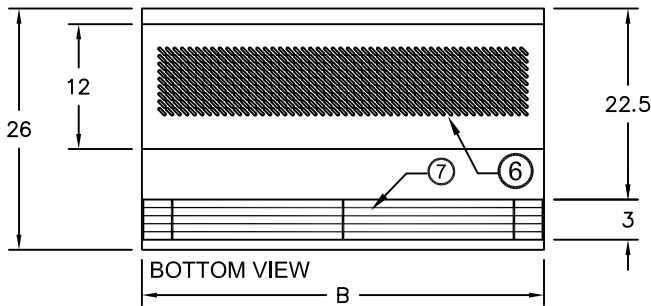
## PH12 (Phantom 12) Series



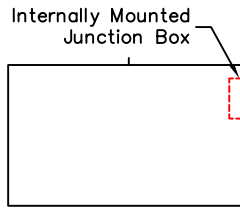
TOP VIEW



FRONT VIEW



BOTTOM VIEW

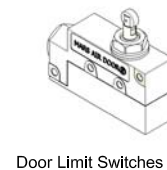


SIDE VIEW



Note: Models PH1260-1 & PH12120-2 are not AMCA Certified.

### ⑨ Recommended Accessories



Door Limit Switches



Control Panels

\*- Use corresponding letters in "Electrical Data" columns to complete the model numbers.

### Notes:

MODEL NUMBER	MOUNTING CENTER A	OVERALL LENGTH B	JUNCTION BOX LOCATION C
PH1242-1U*-PW	41 1/4"	42"	21"
PH1248-1U*-PW	47 1/4"	48"	24"
PH1260-1U*-PW	59 1/4"	60"	30"
PH1272-2U*-PW	71 1/4"	72"	36"
PH1284-2U*-PW	83 1/4"	84"	42"*
PH1296-2U*-PW	95 1/4"	96"	24"*
PH12108-3U*-PW	107 1/4"	108"	18"*
PH12120-2U*-PW	119 1/4"	120"	30"*
PH12144-4U*-PW	143 1/4"	144"	36"*
** - Measurements from edge of each unit, when tandem mounted.			

- This product is designed to meet the National Electric Code (NEC) and is ETL Listed for the US and Canada, AMCA Certified and bear the CE mark.
- (4) 3/8" threaded rod required for overhead installation.
- Cabinet has sufficient strength for fastening to wall on both ends without intermediate support.
- Pearl White trim pieces included to match air curtains and ceilings.
- Tandem mounted units longer than 72" require center support.
- Cleanable polyester filters included as standard. Optional aluminum or throwaway pleated filters available.
- Unit is to be installed such that air flow is unobstructed. Air discharge nozzle containing adjustable air directional vanes with 40° sweep front to back.
- Circuit protection as per NEC by others.
- Optional motor control panel, door limit switch and mounting brackets are field installed and/or wired by others. The door limit switch is to be mounted such that the air curtain turns on as door begins to open. To prevent unit damage, the mounting brackets must be installed such that the bottom of the air curtain is not below the door header.

# PH12 (Phantom 12) Series

Unheated

Model Lengths 42" – 144"



atmosphere is everything

14716 S. BROADWAY, GARDENA, CA 90248 • Ph: (310)532-1555 Fax: (310)-532-3030 • [www.marsair.com](http://www.marsair.com)  
© Copyright Mars Air Systems, LLC 2014

## Unheated Data Sheet

Applications: Environmental Separation (up to 12')

PH12 (Phantom 12)	Mechanical Data						Lab Data		AMCA Certified Lab Data				
	Model Number	Nozzle Length (in)	Length (in)	Depth (in)	Height (in)	Motor (hp)	Weight (lbs)	Max Velocity (fpm)	Max Volume (cfm)	Avg Velocity (fpm)	Volume (cfm)	Uniformity (%)	Power Rating (watts)
	PH1242-1U*-PW	42	42	26	17	1	90	4570	4000	2824	2471	90	1260
	PH1248-1U*-PW	48	48	26	17	1	90	4000	4000	2534	2534	89	1345
	PH1260-1U*-PW	60	60	26	17	Two 1	95	3200	4000	2207	2759	86	1535
	PH1272-2U*-PW	72	72	26	17	Two 1	155	5140	8000	3097	4646	93	2316
	PH1284-2U*-PW	84	84	26	17	Two 1	175	4570	8000	2824	4942	90	2520
	PH1296-2U*-PW	96	96	26	17	Two 1	180	4000	8000	2534	5068	89	2690
	PH12108-3U*-PW	108	108	26	17	Three 1	225	5140	12000	3097	6969	93	3474
	PH12120-2U*-PW	120	120	26	17	Two 1	270	3200	8000	2207	5518	86	3070
	PH12144-4U*-PW	144	144	26	17	Four 1	310	4000	16000	3097	9292	93	4632

\* - Use corresponding letters in "Electrical Data" columns to complete the model numbers.

Note: Data above for 1725 RPM at 60 Hz, 50 Hz is 1425 RPM with a 17% reduction in the performance data.

### Features:

- ❖ 1 HP Continuous Duty Motors
- ❖ Recessed mounted in ceiling for invisible coverage
- ❖ AMCA Certified to AMCA 211 Standards
- ❖ ETL Certified to conform to UL 507 (US) and CSA 22.2 (Canada) Standards
- ❖ Utilized in premium design concepts
- ❖ Durable aluminum construction
- ❖ Cabinet has sufficient strength for fastening to wall on both ends without intermediate support. (Tandem mounted units longer than 72" require center support)
- ❖ Cleanable polyester filters included as standard
- ❖ Adjustable air directional vanes with 40° sweep front to back
- ❖ Standard color is Pearl White
- ❖ Rust preventative electrostatic polyurethane powder coating
- ❖ 5 year parts warranty
- ❖ Freight Included (FOB Continental USA)
- ❖ Proudly Made in the USA

### Options and Accessories: (see Accessories Brochure)

- ❖ Motor Control Panels
- ❖ Multi-speed motors and controls
- ❖ Aluminum or throwaway pleated filters
- ❖ Custom colors and finishes (304SS, 316SS)

### Sound Levels: (measured at 10' in an open field)

1 Motor Unit = 70 dBA, 2 Motor Unit = 73 dBA, 3 & 4 Motor Unit = 75 dBA

Projection Velocity		
Model	Distance from nozzle (in)	Avg. Core Velocity (FPM)
PH1236-1U*-PW	40"	1947
	80"	1356
	120"	1172
	160"	1050



MARS Air Systems, LLC certifies that the Air Curtains shown on this data sheet are licensed to bear the AMCA seal. The ratings shown are based on tests and procedures performed in accordance with AMCA Publication 211 and comply with the requirements of the AMCA Certified Ratings Program.

Note: Models PH1260-1 & PH12120-2 are not AMCA Certified. The AMCA Certified Ratings Seal applies to airflow rate, average outlet velocity, outlet velocity uniformity, velocity projection and power rating at free delivery only.

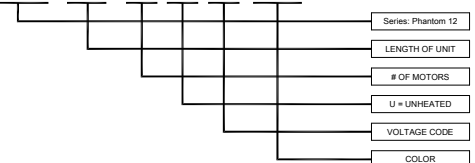
PH12 (Phantom 12)	Electrical Data (FLA)			
	115v (A)	208/230v (D)	208/230v (G)	460v (H)
Model Number				
PH1242-1U*-PW	9.0	5.0	3.3/3.2	1.6
PH1248-1U*-PW	9.0	5.0	3.3/3.2	1.6
PH1260-1U*-PW	9.0	5.0	3.3/3.2	1.6
PH1272-2U*-PW	18.0	10.0	6.6/6.4	3.2
PH1284-2U*-PW	18.0	10.0	6.6/6.4	3.2
PH1296-2U*-PW	18.0	10.0	6.6/6.4	3.2
PH12108-3U*-PW	27.0	15.0	9.9/9.6	4.8
PH12120-2U*-PW	18.0	10.0	6.6/6.4	3.2
PH12144-4U*-PW	36.0	20.0	13.2/12.8	6.4

\* - Use corresponding letters in "Electrical Data" columns to complete the model numbers

Note: For Ampacity Multiply FLA X 1.25

EXAMPLE

**PH12 72 -2 U H -PW**



NOTE: MARS AIR SYSTEMS, LLC reserves the right to change specifications and product design without notice. Such revisions do not entitle the buyer to corresponding changes, improvements, additions or replacements for previously purchased equipment.