



STATIONARY LOUVER

formed steel with drainable blade

Model:
FG-40337

CONSTRUCTION

- **FRAME:** 4" deep channel, 18 GA galvanized steel
- **BLADES:** 4" deep, 37.5° angle, 3-3/8" on center, 18 GA steel
- **SCREEN:** 1/2" Mesh x 19 GA galvanized steel when indicated
- **FINISH:** Mill (with touch-ups on welds) or custom when indicated
- Riveted and/or welded with drip lip, jamb, and sill flanges
- Minimum Panel Size: 12" x 12", Maximum Panel Size: 96" x 96"
- Undersized 1/2" in A & B dimensions providing 1/4" perimeter clearance

FEATURES

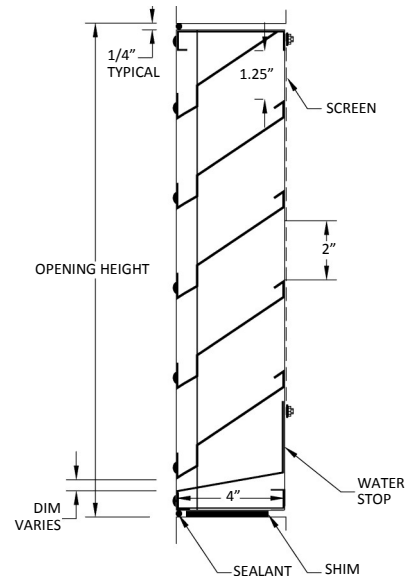
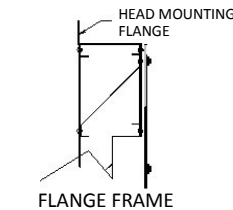
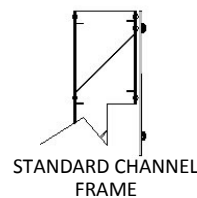
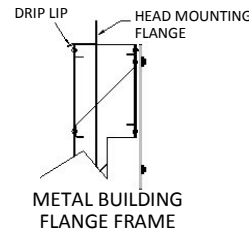
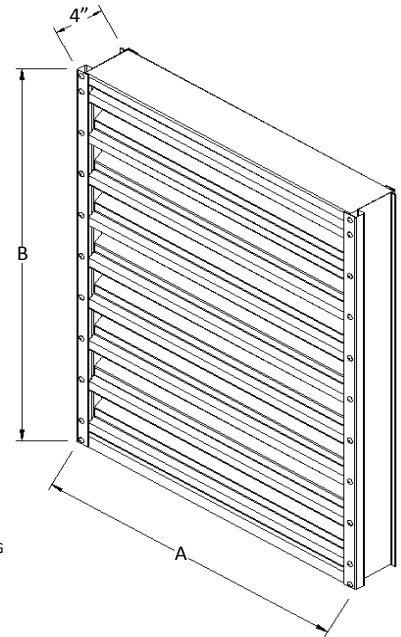
- Published performance ratings based on AMCA 511 standard
- Licensed to bear the AMCA seal for air and water performance
- High free area, low pressure drop, low water penetration
- Drain gutters in each blade and jamb downspouts

OPTIONS

- Finish options: Baked polyester Kynar Anodized
- Filter rack with applicable filters
- Security bars
- Insect screen (bird screen is standard)
- Hinged frame
- Rivet concealment caps
- Welded construction (high wind loads)
- Stainless steel construction

FRAME CONSTRUCTION (X)

- Metal Building Flange Frame (MB)
- Standard Channel Frame (C)
- Flange Frame (F)



TAG	QTY	WIDTH "A"	HEIGHT "B"	FRAME	FINISH	OPTIONS

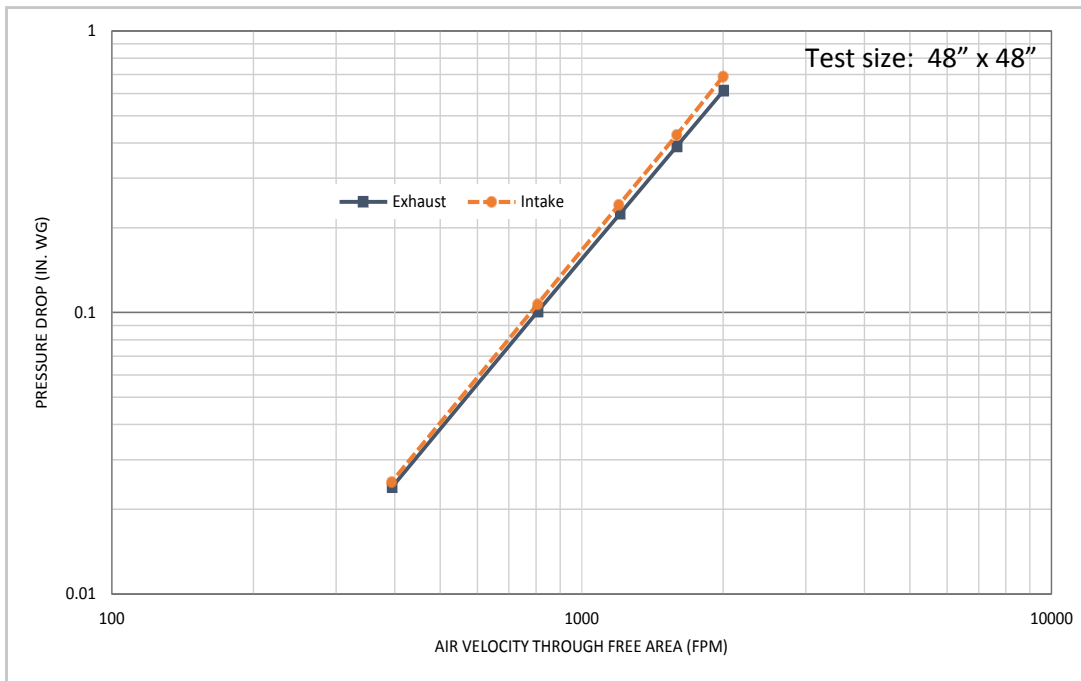
Customer	
Job Name	Model
Architect	Date



PERFORMANCE RATINGS

stationary drainable blade louver (fg-40337)

Airflow Resistance (Standard Air—.075 lb/ft³)

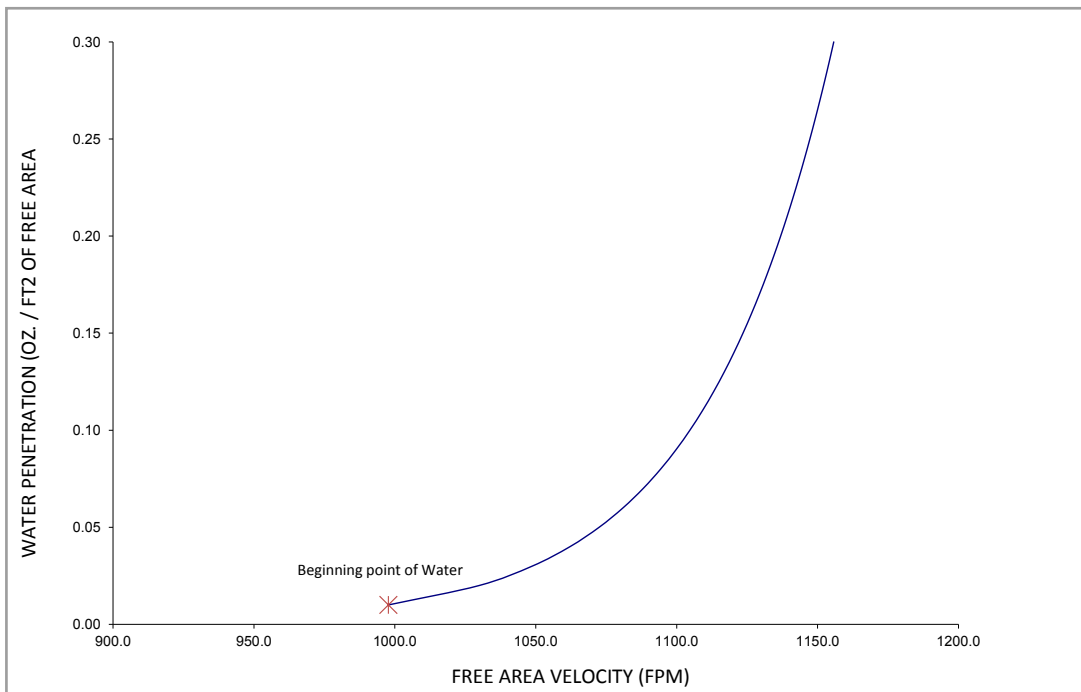


AMCA figure or figures 5.5 to which air performance is tested, Data corrected to standard air



R&S Manufacturing and Sales Co., Inc. certifies that the FG-40337 louvers shown herein are licensed to bear the AMCA Seal. The ratings shown are based on tests and procedures performed in accordance with AMCA Publication 511 and comply with the requirements of the AMCA Certified Ratings Program. The AMCA Certified Ratings Seal applies to water penetration and air performance ratings only.

Water Penetration



The AMCA Water Penetration Test provides a method for comparing various louver models and designs as to their efficiency in resisting the penetration of rainfall under specific laboratory test conditions. The beginning point of water penetration is defined as the velocity where the water penetration curve projects though 0.01 oz. of water (penetration) per sq. ft. of louver free area. ***The beginning point of water penetration for Model FG-40337 is 999 fpm free area velocity.** These performance ratings do not guarantee a louver to be weatherproof or stormproof and should be used in combination with other factors including good engineering judgment in selecting louvers.



PERFORMANCE RATINGS

stationary drainable blade louver (fg-40337)

Free Area Chart (Square Feet)

		LOUVER WIDTH - INCHES														
		LFG40377	12	18	24	30	36	42	48	54	60	66	72	78	84	90
LOUVER HEIGHT - INCHES	12	0.47	0.76	1.04	1.33	1.61	1.90	2.18	2.46	2.75	3.03	3.32	3.60	3.89	4.17	4.46
	18	0.56	0.90	1.23	1.57	1.91	2.24	2.58	2.92	3.26	3.59	3.93	4.27	4.61	4.94	5.28
	24	0.78	1.26	1.73	2.20	2.68	3.15	3.63	4.10	4.57	5.05	5.52	5.99	6.47	6.94	7.41
	30	1.05	1.68	2.32	2.95	3.59	4.22	4.85	5.49	6.12	6.76	7.39	8.03	8.66	9.29	9.93
	36	1.33	2.13	2.93	3.73	4.53	5.33	6.13	6.93	7.73	8.53	9.33	10.13	10.93	11.73	12.53
	42	1.55	2.49	3.42	4.36	5.30	6.23	7.17	8.11	9.04	9.98	10.91	11.85	12.79	13.72	14.66
	48	1.78	2.86	3.93	5.01	6.08	7.16	8.23	9.31	10.39	11.46	12.54	13.61	14.69	15.76	16.84
	54	2.01	3.22	4.43	5.64	6.85	8.07	9.28	10.49	11.70	12.91	14.12	15.34	16.55	17.76	18.97
	60	2.30	3.69	5.07	6.46	7.85	9.24	10.63	12.02	13.40	14.79	16.18	17.57	18.96	20.34	21.73
	66	2.55	4.09	5.64	7.18	8.72	10.26	11.80	13.34	14.88	16.42	17.96	19.51	21.05	22.59	24.13
	72	2.78	4.46	6.13	7.81	9.49	11.17	12.84	14.52	16.20	17.88	19.55	21.23	22.91	24.59	26.26
	78	3.00	4.82	6.63	8.45	10.26	12.07	13.89	15.70	17.51	19.33	21.14	22.96	24.77	26.58	28.40
	84	3.27	5.24	7.22	9.19	11.17	13.14	15.12	17.09	19.07	21.04	23.01	24.99	26.96	28.94	30.91
	90	3.55	5.69	7.83	9.97	12.12	14.26	16.40	18.54	20.68	22.82	24.97	27.11	29.25	31.39	33.53
	96	3.78	6.05	8.33	10.61	12.89	15.17	17.45	19.73	22.01	24.29	26.57	28.85	31.13	33.41	35.69

Suggested Specification

Furnish and install louvers as hereafter specified where shown on plans or as described in schedules. Louvers shall be stationary drainable type entirely contained within a 4" frame. Louvers shall include a drain gutter in each blade and downspouts in jambs and mullions. Louver components (heads, jambs, sills, blades and mullions) shall be factory assembled by the louver manufacturer. Louver sizes too large for shipping shall be built up by the contractor from factory assembled louver sections to provide overall sizes required. Louver design shall limit span between visible mullions to 10 feet and shall incorporate structural supports required to withstand a wind load of 20 pounds per square foot equivalent of a 90 MPH wind. (Specifier may substitute any loading required).

Louvers shall be R&S Model FG-40337 with construction as follows:

FRAME: 18 GA galvanized steel

BLADES: 18 GA galvanized steel positioned at 37-1/2 degrees on 3-3/8" centers

SCREEN: 19 GA galvanized steel 1/2" mesh screen

FINISH: Select finish from baked polyester (powder coat), Kynar, anodized, or mill with touch-ups on welds

Performance Data



AMCA Standard 500 provides a reasonable basis for testing and rating louvers. Testing to AMCA 500 is performed under a certain set of laboratory conditions. This does not guarantee that other conditions will not occur in the actual environment where louvers must operate.

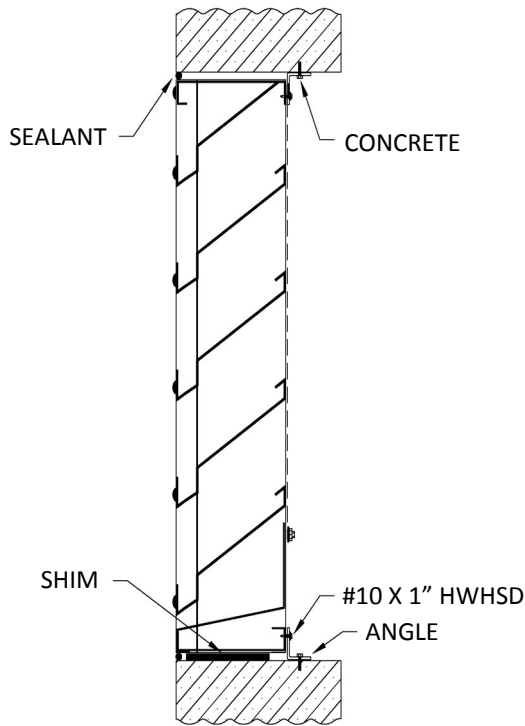
Designs should provide a reasonable safety factor for louver performance by selecting at some point below pressure drop or water penetration system requirements.



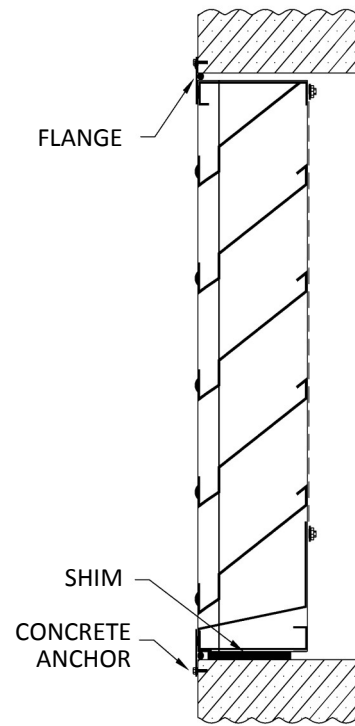
TYPICAL INSTALLATION DETAILS

stationary drainable blade louver (fg-40337)

Masonry Wall



Flange Mount



Metal Building Wall

