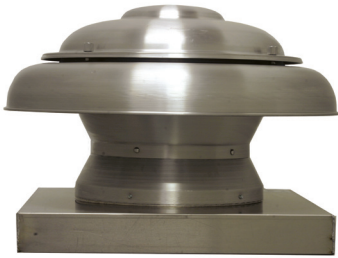


MODELS ARE & ARS

DOMED AXIAL POWER ROOF VENTILATORS (EXHAUST/SUPPLY)



MODEL FEATURES

- Exhaust air up to 3,100 CFM in static pressure applications up to 3/4" w.g.
- Low profile attractive spun aluminum exterior
- Direct drive units have low sound levels and quiet operation
- AMCA Air & Sound Licensed
- UL 705 Listed

CONSTRUCTION OPTIONS

MODEL NAME	DESCRIPTION
ARE	Dome Axial Power Roof Exhaust Fan
ARS	Dome Axial Power Roof Supply Fan

MODEL OVERVIEW

The AR series offers powerful axial intake (ARS) or exhaust (ARE) performance in a roof mount design that is compact, lightweight and easy to install. Available in 4 sizes with a CFM range from 268 to over 3,100 CFM to 3/4" static pressure.

The direct drive design has no belts or fan bearings to maintain or adjust and consequently requires very little maintenance. The AR series is an excellent choice for factories, shops, restaurants, bathrooms, offices, schools and other similar applications where light to moderate static pressures are present. Equipped with explosion-proof motors, the AR series can be used in more severe applications. (Caution should be used to safely match the motor capabilities with the specific hazardous environment).

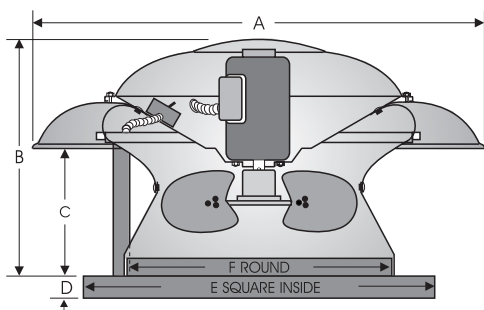
The low contour designs and all aluminum housing provides a modern, clean appearance in addition to excellent performance and durability.

Models ARE are available in our Quickship program. Sizes 10-20 are available for next day or 10-day shipping from stock.



5 year fan housing warranty, 1 year motor warranty

DIMENSIONS



Size	Dimensions (Inches)						Avg. Ship weight (lbs.)
	A	B	C	D	E	F	
100A	21	13	7	2	20	13-3/4	25
120A-121A	28	16	8	3	24	15-3/4	42
160A-161A	32	18	8-1/2	3	28	19-3/4	55
201A	36	20	9-3/4	3	32	23-3/4	75

All specifications are subject to change without notice unless approved in submittal by S&P USA.

GC_AR_0914

September 2014



CONSTRUCTION/SPECIFICATION CHECKLIST

Housing

- Heavy-gauge all aluminum housing.
- Exclusive U-Spring suspension compensates for both radial and lateral movement and provides 44% better vibration isolation than rubber isolators.
- External wiring chase for easy connection.
- High point of discharge with low silhouette design.
- Quick access to motor compartment for easy maintenance.

Propellers

- Attaches directly to fan shaft for maximum efficiency.
- Precision pitched. Heavy-gauge aluminum blades with steel hub. Blades are designed for specific exhaust or supply requirements.

Motors

- Standard motors are single speed, speed controllable and drip-proof.
- All motors are rated for continuous duty.
- Disconnect is standard on ODP motors (except two speed and explosion proof).
- Motors are shipped assembled with factory test run assurance.

Certifications

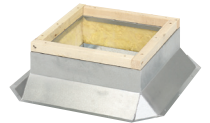
- UL-705 listing available as an option with standard motors.
- AMCA Air & Sound Licensed.

OPTIONS/ACCESSORIES

Solid State Speed Control: S&P's solid state control is matched to allow smooth RPM variation and adjustment of airflow for system balancing. CFM is reduced in direct proportion to motor speed reduction. Speed controllers available for 115/1 or 230/1 operation. Fan performance can be controlled from the ventilated area.



Roof Curb: Prefabricated heavy-gauge galvanized steel, welded construction, 12" high (other heights are also available) with 1-1/2" wood nailer. Assures perfect fit of fan to roof opening. Options include burglar bars, single or double pitch construction and hinged curbs for easy duct access.



Motor Operated Damper: Motor operated aluminum damper for positive closure against backdraft.

Automatic Damper: Automatic aluminum damper for ease in installation and effective backdraft protection.



Curb Hinge Arrangement: The curb hinge arrangement provides easy access to the fan, backdraft damper, and duct for servicing and cleaning.

Insect Screen: Helps prevent insects, snow, airborne mist or water droplets from entering.

Special Coatings: For protective and decorative purposes. Available coatings include: Synthetic Resin, Epoxy, and Heresite (air-dried phenolic). Contact your representative or the factory for more information on available coatings and colors.

