

# SUBMITTAL DATA

## MODEL CFL-D-4 HIGH PERFORMANCE COMBINATION LOUVER/DAMPER 4" [102mm]

### STANDARD CONSTRUCTION:

**FRAME:** 0.081" [2.06mm] Extruded Aluminum 4.16" [106mm] deep.

**ADJUSTABLE BLADE:** 0.125" [3.18mm] Extruded Aluminum

**FIXED BLADE:** 0.081 [2.06mm] Extruded Aluminum Positioned on a 37° angle on approximately 3" [76mm] centers.

**LINKAGE:** Exposed

### BIRDSCREEN:

3/4" X .051" [19.05mm x 1.30mm] Flattened Aluminum in Removable Frame. Screen is mounted on inside (rear) as looking from exterior of building.

**FINISH:** Mill aluminum (std.)

**MINIMUM SIZE:** 12"w x 12"h [305mm x 305mm]

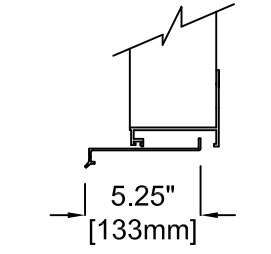
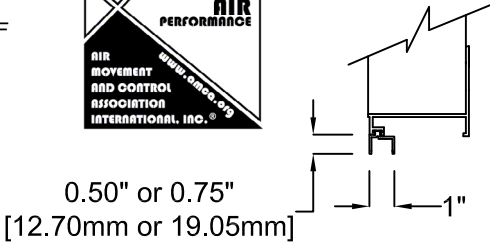
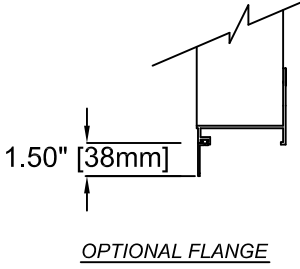
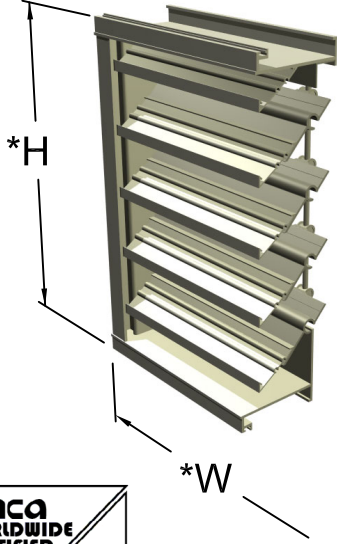
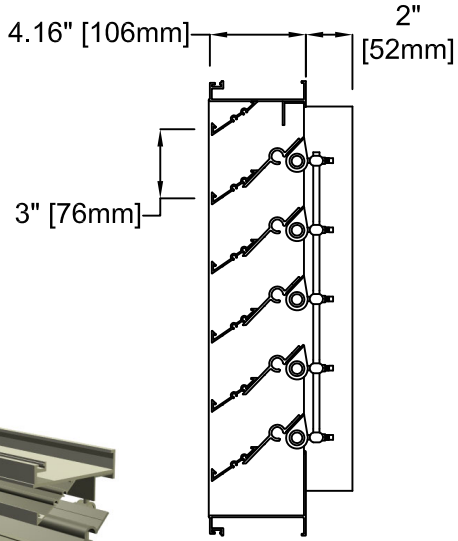
**MAXIMUM SIZE:** Factory assembled multi-section max: 84"w x 120"h or 120"w x 84"h [2134mm x 3048mm or 3048mm x 2134mm]  
48"w x 120"h single section [1219mm x 3048mm]  
Larger sizes are field assembled.

### OPTIONS:

- Flanged Frame (1.5" std.) [38mm]
- Custom Flange (1", 2", or 3") [25mm, 51mm, or 76mm]
- Glazing Adapter (0.50" [12.70mm] or 0.75" [19.05mm])
- Extended Sill
- Filter Racks (no screen)
- Hinged Sub Frame
- Welded Construction (Wind Load +/- 50 psf)
- Blank-off, Alum., non-insulated, no screen, non-removeable
- Blank-off, Alum., non-insulated, with bird screen or insect screen
- Blank-off, Alum., insulated double wall, with bird screen, removable
- Blank-off, Alum., insulated double wall, no screen, non-removeable
- Actuator: See Actuator Selection Chart
- Blade Seals
- Stainless Steel Compression Jamb Seals
- Insect Screen
- Security Bars

### AVAILABLE FINISHES:

- Powder Polyester TGIC** (2 coats) baked on at 410°F [210° C], 2.5 to 3.5 mils Meets AAMA-2603 Standards
- Powder Super durable polyester** (2 coats) baked on at 410°F [210° C], 2.5 to 3.5 mils Meets AAMA-2604-05 Standards
- Acrylic baked enamel** (ACRA-BOND® ULTRA) by AkzoNobel baked on at 350°F [177° C], 0.8 to 1.2 mils dry Meets AAMA-2603 Standards
- Kynar®** (ALUM\*A\*STAR®) 2 coats by AkzoNobel baked on at 450°F [222° C], 1.2 to 1.6 mils dry Meets AAMA-2604-05 Standards
- Kynar 500®** or **HYLAR®** 5000 70% TRINAR® (2 coats) by AkzoNobel baked on at 450°F [222°C], 1.2 to 1.6 mils dry, Meets AAMA-2605-05 Standards
- Kynar 500®** or **HYLAR®** 5000 (70% Tri-Escent II) (2 coats) by AkzoNobel, a superior finish to other metallic or anodized finishes. A blend of mica, ceramic, and inorganic pigments creates subtle yet dazzling design that goes beyond metallic color without the requirement of a clear coat. 14 standard colors - custom colors available. Baked on at 415°F [213° C], 1.4 to 1.8 mils dry, meets AAMA 2605-05.
- Clear Anodize** 204 R-1 Class II (AA-C22A31)(0.4 to 0.7 mil)
- Clear Anodize** 215 R-1 Class I (AA-C22A41)(>0.7 mil)
- Integral Color Anodize** (AA-C22A42)(>0.7 mil)
  - Clear coat available for all above finishes.
  - Hylar® 5000 is a registered trademark of Solvay Solexis, Inc.
  - Kynar® 500 is a registered trademark of Arkema.
  - ALUM\*A\*STAR® 50 and TRINAR® are registered trademarks of AkzoNobel
  - ACRA-BOND® ULTRA is a registered trademark of AkzoNobel



\*Width and Height dimensions are approximately 1/4" [6.35mm] under listed size.

Due to continuing research, United Enertech reserves the right to change specifications without notice.



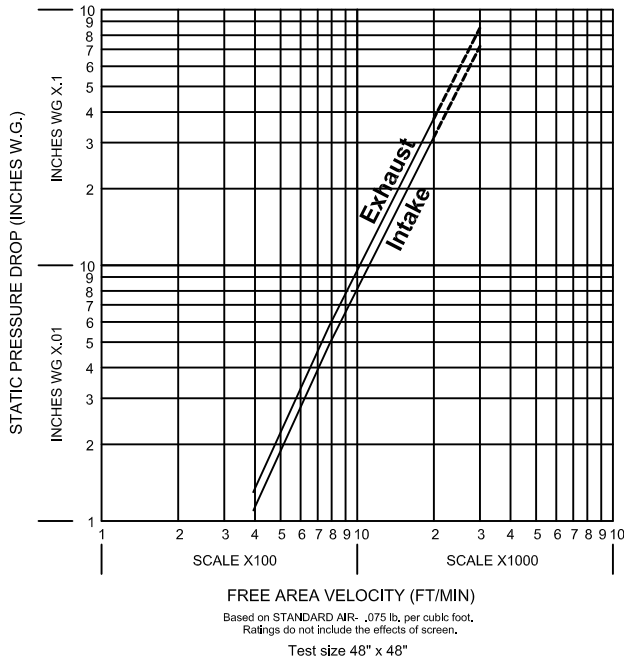
3005 South Hickory Street  
Chattanooga, Tennessee 37407  
Tel: (423) 698-7715  
Fax: (423) 698-6629  
www.unitedenertech.com

**MODEL CFL-D-4 (High Performance Combination Louver/Damper 4" [102mm])**

DRAWN BY: CLJ	DATE: January 2014	REV. DATE:	REV. NO.:	APPROVED BY: BGT	DWG. NO.: <b>A-31a</b>
------------------	-----------------------	------------	-----------	---------------------	---------------------------

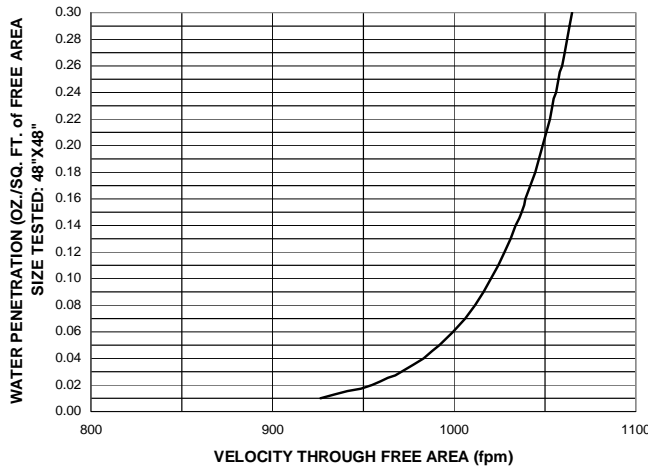
# CFL-D-4 PERFORMANCE DATA

## AIR FLOW RESISTANCE



CFL-D-4 FREE AREA IN SQ. FT.								
Louver Height Inches	Width - Inches						Louver Height Inches	
	12	18	24	30	36	42		48
12	0.22	0.36	0.50	0.63	0.77	0.91	1.04	12
18	0.45	0.72	1.00	1.27	1.54	1.82	2.09	18
24	0.67	1.08	1.49	1.90	2.31	2.72	3.13	24
30	0.90	1.45	1.99	2.54	3.09	3.63	4.18	30
36	1.12	1.81	2.49	3.17	3.86	4.54	5.22	36
42	1.35	2.17	2.99	3.81	4.63	5.45	6.27	42
48	1.57	2.53	3.49	4.44	5.40	6.36	7.31	48
54	1.80	2.89	3.98	5.08	6.17	7.26	8.36	54
60	2.02	3.25	4.48	5.71	6.94	8.17	9.40	60
66	2.25	3.61	4.98	6.35	7.71	9.08	10.45	66
72	2.47	3.98	5.48	6.98	8.48	9.99	11.49	72
78	2.70	4.34	5.98	7.62	9.26	10.90	12.54	78
84	2.92	4.70	6.48	8.25	10.03	11.80	13.58	84
90	3.15	5.06	6.97	8.89	10.80	12.71	14.62	90
96	3.37	5.42	7.47	9.52	11.57	13.62	15.67	96
102	3.60	5.78	7.97	10.16	12.34	14.53	16.71	102
108	3.82	6.15	8.47	10.79	13.11	15.44	17.76	108
114	4.05	6.51	8.97	11.43	13.88	16.34	18.80	114
120	4.27	6.87	9.46	12.06	14.66	17.25	19.85	120

Beginning point of **WATER PENETRATION** for **MODEL CFL-D-4** is **924 fpm** free area velocity at .01 oz. of water (penetration)



United Enertech Corporation certifies that the louver model shown hereon is licensed to bear the AMCA seal. The ratings shown are based on tests and procedures performed in accordance with the AMCA publication 511 and comply with the requirement of the AMCA Certified Ratings Program. The AMCA Certified Ratings Seal applies to Air Performance and Water Penetration ratings.