

Stationary Louver

SSL - 100

SSL - 100



STL - 100

Stationary Louver is a weather louver designed to provide air intake and air exhaust openings in building exterior walls to protect against direct ingress of rain. The blades are positioned on 98mm minimum centers up to 120mm maximum centers at 45 degree slop and has a high free area to provide minimum resistance to airflow.

Construction Standard

FRAME:

Gauge 16 (1.5mm thick) formed galvanized steel sheet.

BLADES:

Gauge 18 (1.2mm thick) formed galvanized steel sheet.

SCREEN:

Galvanized steel bird screen 12 X 12 X 1mm fixed behind the blades . **Please note that Pressure Drop Data is obtained from AMCA Test without bird screen.** Pressure drop of bird screen is additive and to be calculated separately.

MINIMUM SIZE:

200mm X 200mm (8in X 8in) - Neck Size.

MAXIMUM SIZE:

1250W X 2500H as single section (Neck Size).
2500W X 2500H will be single module with 2 sections on horizontal blades.

Consult SAFID for multiple section assembly details.



SAFID certifies that the Stationary Louver shown herein is licensed to bear the AMCA Seal for Model SSL - 100. The ratings shown are based on tests and procedures performed in accordance with AMCA Publication 511 and comply with the requirements of the AMCA Certified Ratings Program.

The AMCA Certified Ratings Seal applies to Air Performance Ratings.

Test Information

Tested for air performance in accordance with ANSI / AMCA Standard 500-L-12 (Pressure Drop), Figure 5.5.

SSL - 110

General construction as type SSL - 100 but frame and blades are built from mill finish aluminum sheet.

SSL - 120

General construction as type SSL - 100 but frame and blades are built from stainless steel type 304.

Optional Extras

- * **Code Z**
Painted to RAL (epoxy coated)
- * **Code I**
Insect screen in galvanized steel 1 X 1 X 0.4mm.
- * **Code T**
Bird screen in stainless steel 5 X 5 X 0.7mm.

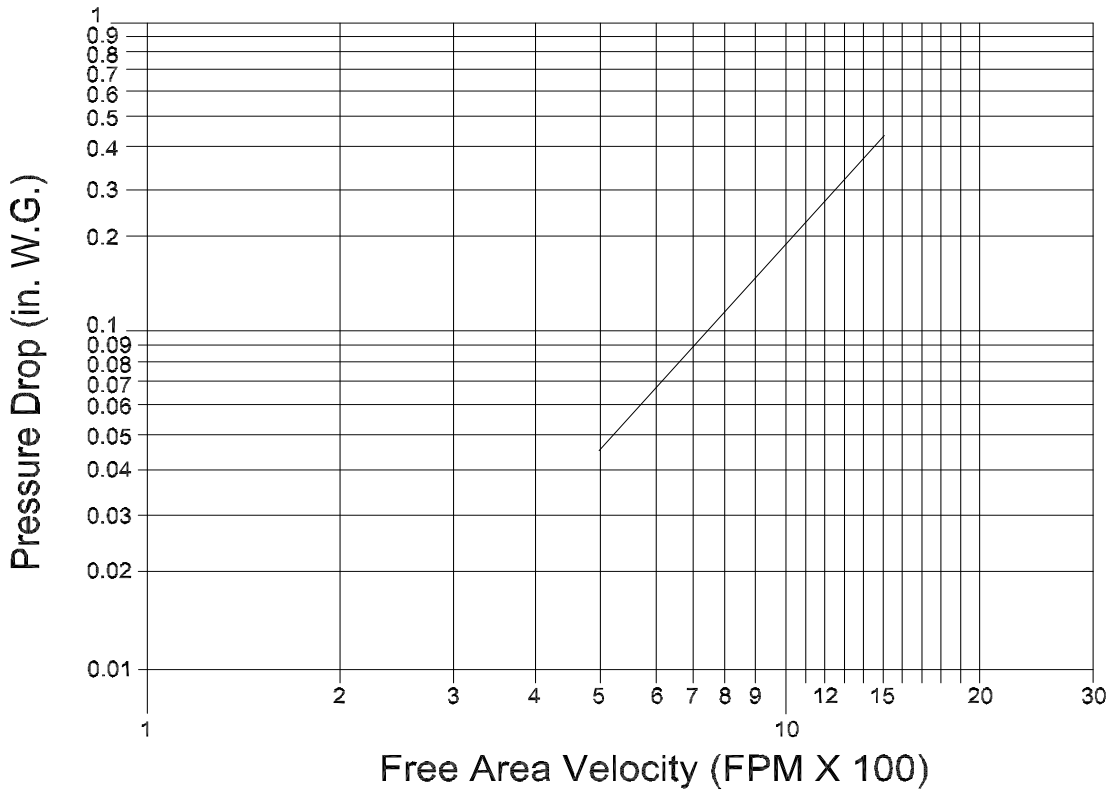
Catalog ID: SSL - 100 January 26, 2014

Right to alterations reserved.

Air Performance

Pressure Drop

Exhaust Air Performance



Data are corrected to standard air density.

Test size: 48 in. x 48 in.



SAFID certifies that the Stationary Louver shown herein is licensed to bear the AMCA Seal for Model SSL - 100. The ratings shown are based on tests and procedures performed in accordance with AMCA Publication 511 and comply with the requirements of the AMCA Certified Ratings Program.

The AMCA Certified Ratings Seal applies to Air Performance Ratings.

Test Information

Tested for air performance in accordance with ANSI / AMCA Standard 500-L-12 (Pressure Drop), Figure 5.5.

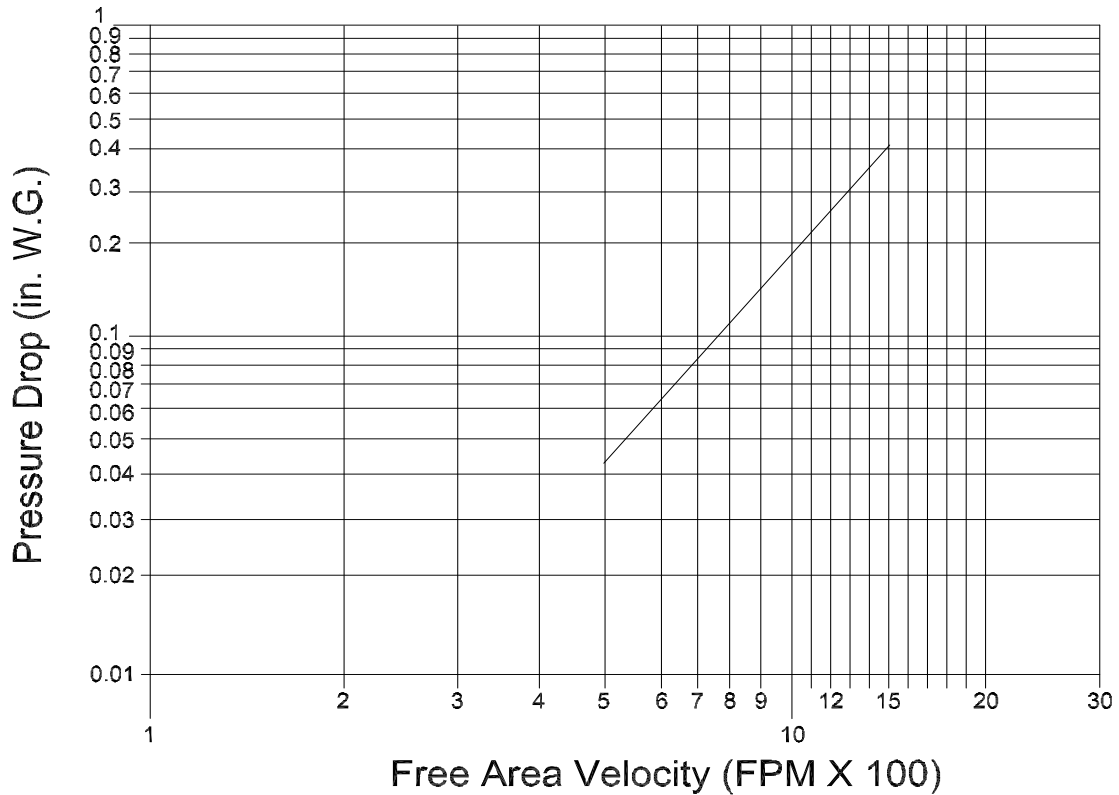
Catalog ID: SSL - 100 January 26, 2014

Right to alterations reserved.

Air Performance

Pressure Drop

Intake Air Performance



Data are corrected to standard air density.

Test size: 48 in. x 48 in.



SAFID certifies that the Stationary Louver shown herein is licensed to bear the AMCA Seal for Model SSL - 100. The ratings shown are based on tests and procedures performed in accordance with AMCA Publication 511 and comply with the requirements of the AMCA Certified Ratings Program.

The AMCA Certified Ratings Seal applies to Air Performance Ratings.

Test Information

Tested for air performance in accordance with ANSI / AMCA Standard 500-L-12 (Pressure Drop), Figure 5.5.

Catalog ID: SSL - 100 January 26, 2014

Right to alterations reserved.

Stationary Louver

SSL - 100

Air Performance

Free Area Chart (Square Feet)

OUTER FRAME SIZE (W1 inches)

	12	16	20	24	28	32	36	40	44	48	52	56	60	64	68	72	76	80	84	88	92	96	100	104
12	0.06	0.10	0.15	0.19	0.24	0.29	0.33	0.38	0.42	0.47	0.52	0.54	0.58	0.63	0.67	0.72	0.76	0.81	0.85	0.90	0.94	0.99	1.03	1.08
16	0.14	0.23	0.33	0.43	0.53	0.63	0.72	0.82	0.92	1.02	1.12	1.16	1.26	1.36	1.46	1.56	1.65	1.75	1.85	1.95	2.05	2.14	2.24	2.34
20	0.21	0.36	0.51	0.66	0.81	0.96	1.11	1.26	1.41	1.56	1.71	1.78	1.93	2.08	2.23	2.38	2.53	2.68	2.82	2.97	3.12	3.27	3.42	3.57
24	0.28	0.49	0.69	0.89	1.10	1.30	1.51	1.71	1.91	2.12	2.32	2.42	2.62	2.81	3.01	3.21	3.40	3.61	3.80	3.99	4.20	4.45	4.65	4.86
28	0.36	0.61	0.87	1.13	1.38	1.63	1.87	2.12	2.38	2.63	2.91	3.07	3.32	3.56	3.81	4.06	4.32	4.56	4.81	5.06	5.32	5.58	5.84	6.09
32	0.46	0.75	1.05	1.37	1.67	1.97	2.27	2.57	2.87	3.18	3.77	3.71	4.01	4.32	4.62	4.92	5.22	5.53	5.83	6.14	6.44	6.80	7.15	7.50
36	0.53	0.89	1.25	1.60	1.96	2.31	2.67	3.03	3.38	3.74	4.37	4.35	4.70	5.06	5.41	5.77	6.12	6.48	6.84	7.19	7.55	7.90	8.25	8.60
40	0.61	1.08	1.51	1.94	2.37	2.80	3.24	3.67	4.10	4.53	4.98	5.29	5.72	6.15	6.58	7.01	7.44	7.87	8.30	8.73	9.17	9.61	10.05	10.49
44	0.68	1.20	1.69	2.17	2.66	3.14	3.63	4.11	4.60	5.08	5.55	5.93	6.41	6.90	7.38	7.87	8.35	8.84	9.31	9.80	10.28	10.76	11.24	11.72
48	0.76	1.45	1.87	2.41	2.95	3.49	4.03	4.56	5.10	5.91	6.18	6.58	7.10	7.64	8.18	8.72	9.26	9.80	10.33	10.86	11.40	11.94	12.48	13.02
52	0.83	1.47	2.07	2.65	3.24	3.83	4.41	5.01	5.60	6.19	6.76	7.21	7.80	8.40	8.99	9.57	10.16	10.75	11.35	11.93	12.52	13.11	13.70	14.29
56	0.91	1.60	2.25	2.88	3.53	4.18	4.81	5.46	6.09	6.74	7.44	7.86	8.50	9.15	9.78	10.43	11.06	11.71	12.36	12.99	13.64	14.28	14.92	15.58
60	0.99	1.73	2.43	3.12	3.82	4.51	5.20	5.90	6.60	7.29	8.05	8.50	9.20	9.89	10.59	11.28	11.98	12.67	13.37	14.06	14.76	15.45	16.14	16.83
64	1.06	1.86	2.62	3.36	4.11	4.85	5.60	6.35	7.09	7.75	8.60	9.15	9.89	10.65	11.39	12.14	12.88	13.63	14.38	15.12	15.88	16.51	17.14	17.77
68	1.20	2.00	2.80	3.60	4.40	5.20	6.00	6.80	7.60	8.40	9.20	9.80	10.59	11.39	12.19	12.99	13.79	14.59	15.39	16.19	16.99	17.79	18.59	19.39
72	1.28	2.13	2.98	3.83	4.68	5.54	6.39	7.24	8.09	8.94	9.79	10.44	11.29	12.14	12.99	13.84	14.69	15.54	16.39	17.24	18.09	18.94	19.79	20.64
76	1.35	2.26	3.16	4.07	4.97	5.88	6.78	7.69	8.59	9.50	10.55	11.09	11.99	12.90	13.80	15.60	16.50	17.40	18.30	19.20	20.10	21.00	21.90	22.80
80	1.43	2.39	3.35	4.31	5.26	6.22	7.18	8.14	9.10	10.06	11.02	11.72	12.68	13.64	14.60	15.56	16.52	17.48	18.44	19.40	20.36	21.32	22.28	23.24
84	1.52	2.53	3.53	4.54	5.55	6.57	7.58	8.58	9.59	10.60	11.61	12.37	13.38	14.39	15.40	16.41	17.42	18.43	19.44	20.45	21.46	22.47	23.48	24.49
88	1.56	2.68	3.64	4.71	5.79	6.86	7.93	9.00	10.07	11.14	12.21	12.73	13.80	14.87	15.94	17.01	18.08	19.15	20.22	21.29	22.36	23.43	24.50	25.57
92	1.62	2.79	3.79	4.91	6.03	7.14	8.25	9.36	10.47	11.58	12.69	13.26	14.37	15.48	16.59	17.70	18.81	19.92	21.03	22.14	23.25	24.36	25.47	26.58
96	1.71	2.94	4.16	5.17	6.34	7.51	8.68	9.85	11.02	12.19	13.36	13.96	15.13	16.30	17.47	18.64	19.81	20.98	22.15	23.32	24.49	25.66	26.83	28.00
100	1.77	3.03	4.30	5.34	6.55	7.76	8.98	10.19	11.40	12.61	13.82	14.41	15.63	16.84	18.05	19.26	20.47	21.68	22.89	24.10	25.31	26.52	27.73	28.94
104	1.86	3.19	4.52	5.62	6.90	8.17	9.44	10.71	11.98	13.25	14.52	15.17	16.45	17.73	19.00	20.27	21.54	22.81	24.08	25.35	26.62	27.89	29.16	30.43

NOTE:
See Table 1 for the equivalent neck size (W X H).



SAFID certifies that the Stationary Louver shown herein is licensed to bear the AMCA Seal for Model SSL - 100. The ratings shown are based on tests and procedures performed in accordance with AMCA Publication 511 and comply with the requirements of the AMCA Certified Ratings Program.
The AMCA Certified Ratings Seal applies to Air Performance Ratings.
Test Information
Tested for air performance in accordance with ANSI / AMCA Standard 500-L-12 (Pressure Drop), Figure 5.5.

Catalog ID: SSL - 100 January 26, 2014

Right to alterations reserved.

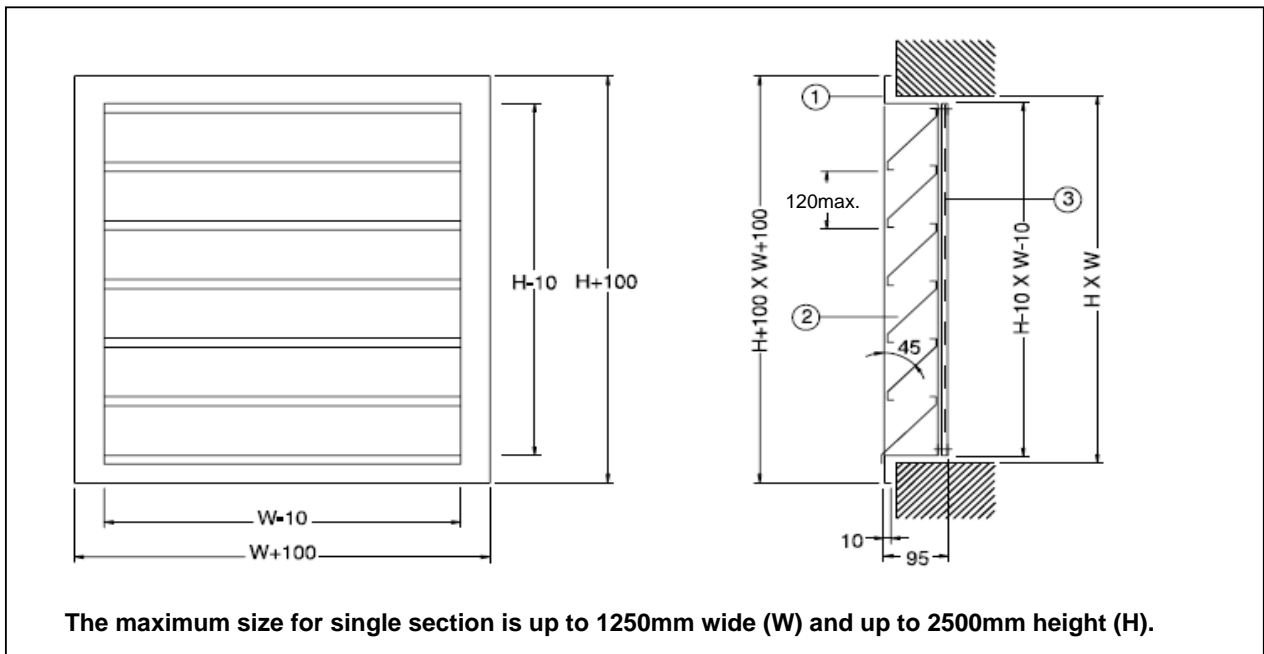
Stationary Louver

SSL - 100

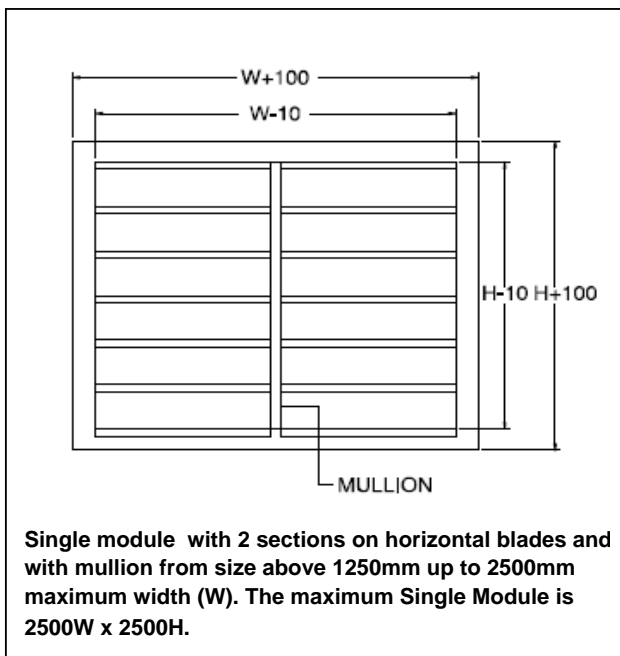
Construction - Dimension and details

1 - Casing	2 - Blades	3 - Bird Screen (Optional)
------------	------------	----------------------------

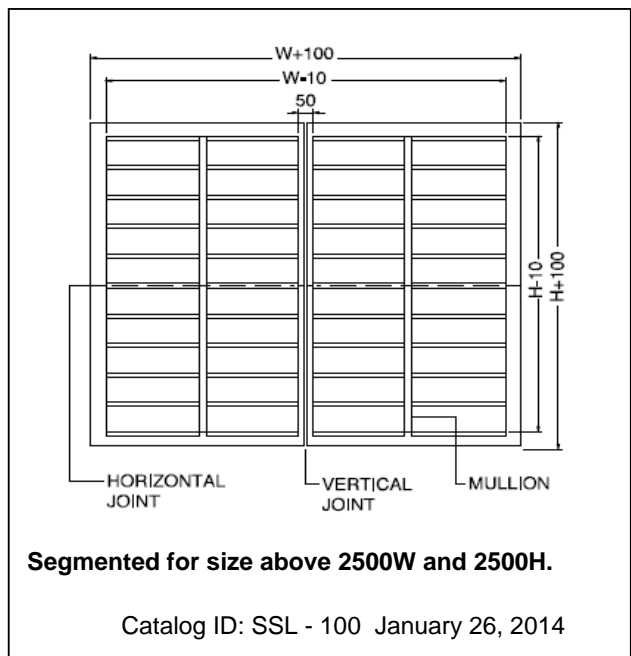
SSL 100.. 110.. 120.. (Single Section)



Single Module with Mullion



Multiple Module (Segmented)



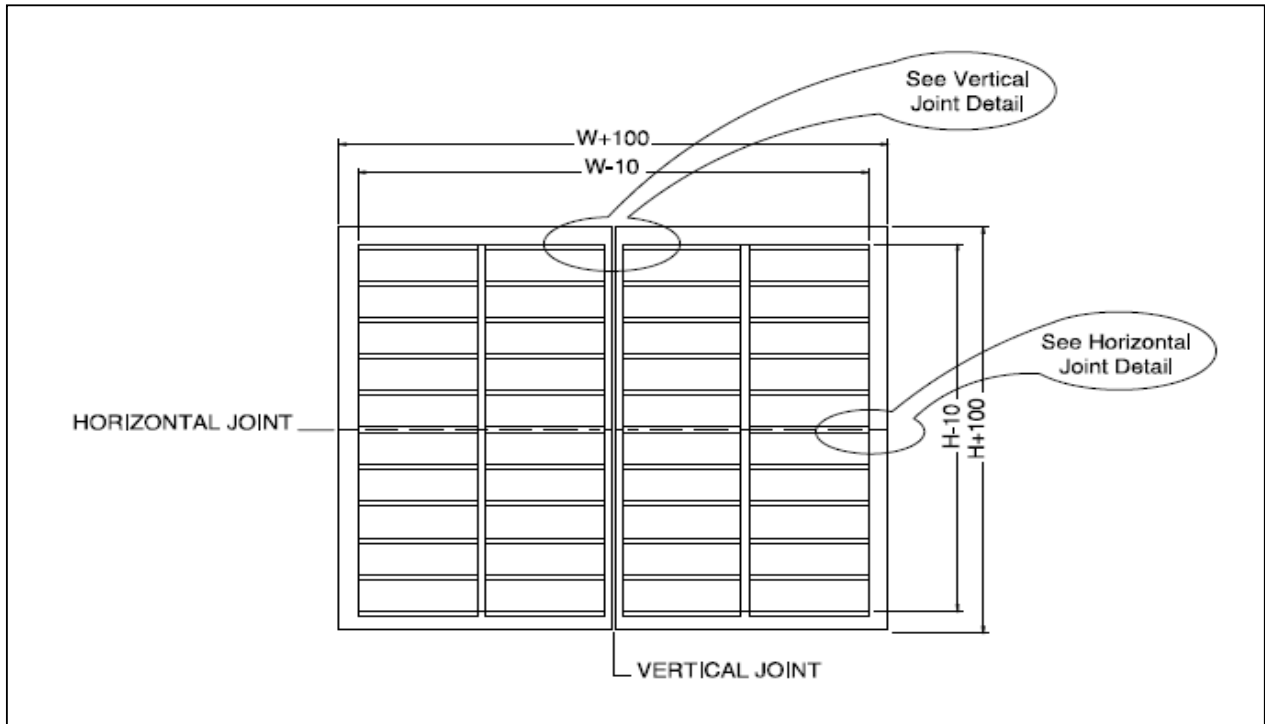
Right to alterations reserved.

Stationary Louver

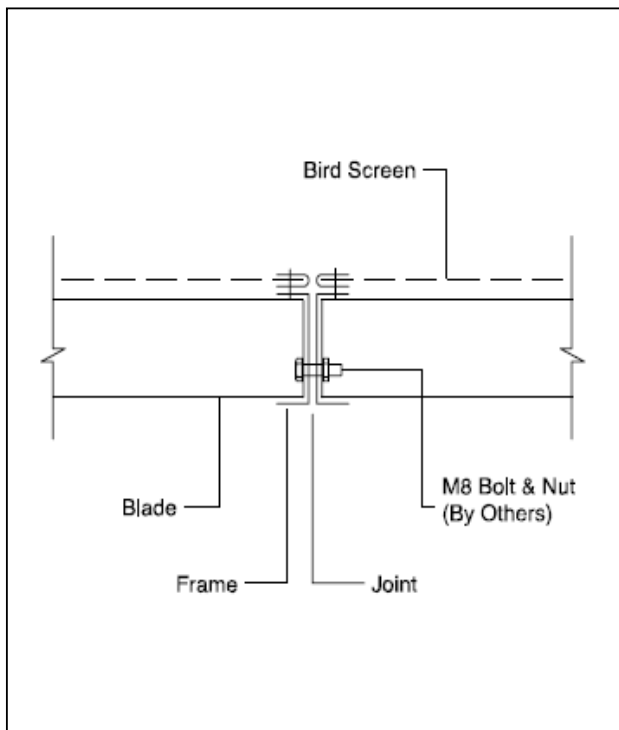
SSL - 100

Multiple Module (Segmented)

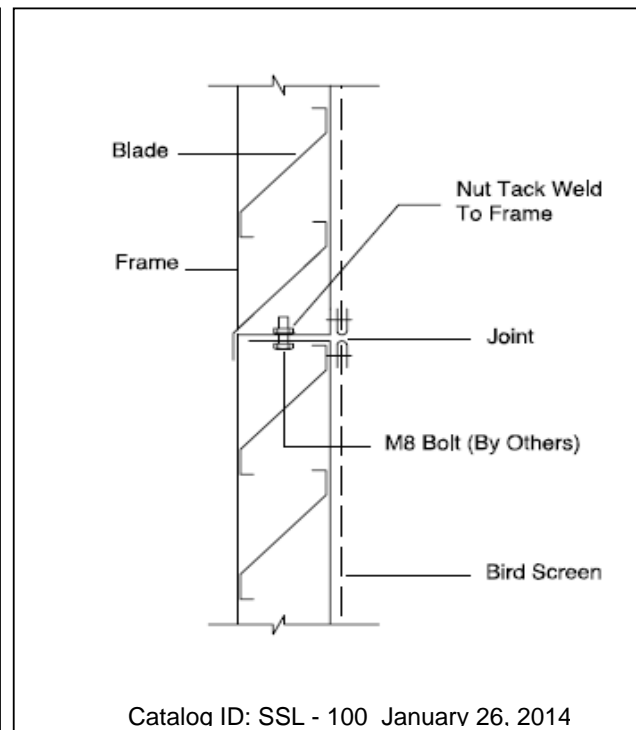
Assembly Details



Vertical Joint Detail



Horizontal Joint Detail



Catalog ID: SSL - 100 January 26, 2014

Right to alterations reserved.

Stationary Louver

SSL - 100

Table 1

Outer Frame Size (in.)	Neck Size (mm)
W1 X H1	W X H
12 X 12	200 X 200
16 X 16	300 X 300
20 X 20	400 X 400
24 X 24	500 X 500
28 X 28	600 X 600
32 X 32	700 X 700
36 X 36	800 X 800
40 X 40	900 X 900
44 X 44	1000 X 1000
48 X 48	1100 X 1100
52 X 52	1200 X 1200
56 X 56	1300 X 1300
60 X 60	1400 X 1400
64 X 64	1500 X 1500
68 X 68	1600 X 1600
72 X 72	1700 X 1700
76 X 76	1800 X 1800
80 X 80	1900 X 1900
84 X 84	2000 X 2000
88 X 88	2100 X 2100
92 X 92	2200 X 2200
96 X 96	2300 X 2300
100 X 100	2400 X 2400
104 X 104	2500 X 2500

Order Example

Product Type: SSL - 100 - a - aaa x aaa

SSL - 100 _____
 SSL - 110 _____
 SSL - 120 _____

With optional extras:

SSL - 100 - Z _____
 SSL - 100 - I _____
 SSL - 100 - T _____

Sizes _____

STANDARD

Make: SAFID
 Type : SSL - 100 - 500 x 500

With optional extras:

Make: SAFID
 Type : SSL - 100 - Z - 500 x 500

Selection Example

SELECTION PROCEDURE OF STATIONARY LOUVER:

Example:

With given air volume:

Select Exhaust Air Louver or Fresh Air Intake Louver with a given air volume of 4000 cubic feet per minute (CFM) and 800 feet per minute (FPM) free area velocity.

Calculate for free area, neck size and pressure drop.

1. Free Area = 4000 CFM / 800 FPM = 5 square feet (ft²).
2. From **Free Area Chart** the outer frame size can be 48in. X 44in., 48in. X 48in. or 64in. X 36in. (W1xH1).
3. From **Table 1** neck size is 1100mm X 1000mm, 1100mm X 1100mm or 1500mm X 800mm (WxH).
4. The pressure drop for Exhaust Air Louver from Exhaust Air Performance Graph at 800 feet per minute (FPM) is 0.12 in. W.G. (30Pa).
5. The pressure drop for Fresh Air Intake Louver from Intake Air Performance Graph at 800 feet per minute (FPM) is 0.105 in. W.G. (26Pa).

Note:

For optional screens the pressure drop is additive and to be calculated separately.

Catalog ID: SSL - 100 January 26, 2014

Right to alterations reserved.