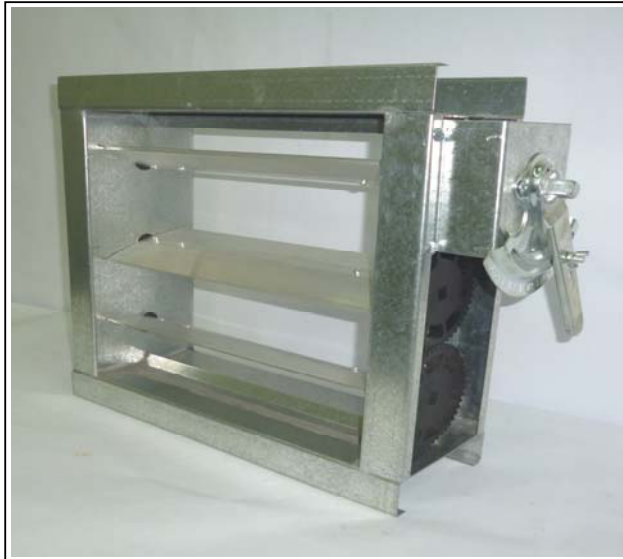


Volume Control Damper

SPK 30 - Series

(Flange Type)

SPK 30 - 300



SPK 30 - 310

General construction as type SPK 30 - 300 damper but with frame, linkage, case bearing, axles and control shaft are from stainless steel (Grade 304).



SAFID certifies that the Volume Control Damper shown herein is licensed to bear the AMCA Seal for Model SPK 30-300. The ratings shown are based on tests and procedures performed in accordance with AMCA Publication 511 and comply with the requirements of the AMCA Certified Ratings Program.
The AMCA Certified Ratings Seal applies to Air Performance Ratings.
Test Information
Tested for air performance in accordance with ANSI / AMCA Standard 500-D-07 (Pressure Drop), Figure 5.3.
Only 100mm blade width and opposed blade action is AMCA certified.

Description

The single and multi-leaf Volume Control Dampers with extruded aluminum airfoil blades are designed for quiet, efficient and reliable air volume control in air conditioning and ventilation systems.

The SPK 30 dampers is ruggedly built damper with a casing of robust assembly, formed from a channel frame for flanged connection to ductworks.

The blades with airfoil construction provides a low pressure drop in the open position for smooth airflow and reduced air turbulence.

Standard Construction

FRAME:

160mm x 30mm x 1.5mm (16 Ga.) galvanized steel formed channel for flange connection.

BLADES:

100mm, 125mm and 150mm wide airfoil shaped blades extruded aluminum.

FINISH:

Frame of mill galvanized.
Blades of mill aluminum.

LINKAGE:

Galvanized steel side linkage concealed in frame for parallel or opposed blade operation.
Hard PVC gear side linkage for opposed blade operation.

CASE BEARING:

Brass bearing as standard.
Sintered bronze oilite (optional).
Hard PVC gear integrated with 12mm x 12mm axle for opposed blade operation only.

CONTROL SHAFT:

12mm square or round zinc plated mild steel.

MINIMUM & MAXIMUM SINGLE SECTION SIZE:

100 x 100mm minimum and 1000 x 1000mm maximum.

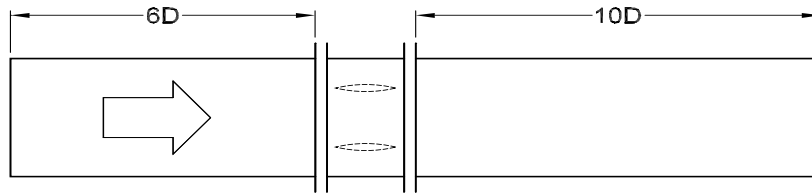
Consult SAFID for multiple section assembly details.

Catalog ID: SPK 30-300 December 19, 2013

Right to alterations reserved.

Air Performance

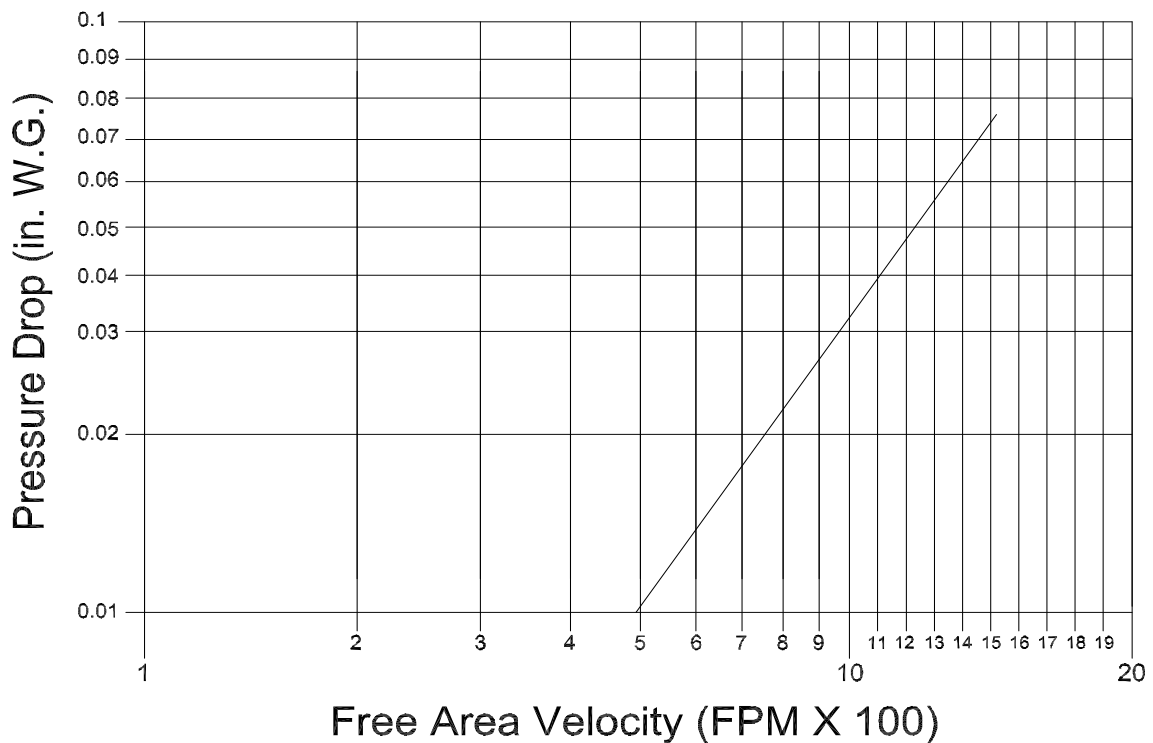
Pressure Drop



AMCA Test Figure 5.3

Pressure Drop at Face Area Velocity

Damper Size: 12in. x 12in. - Fully open blades



SAFID certifies that the Volume Control Damper shown herein is licensed to bear the AMCA Seal for Model SPK 30-300. The ratings shown are based on tests and procedures performed in accordance with AMCA Publication 511 and comply with the requirements of the AMCA Certified Ratings Program.

The AMCA Certified Ratings Seal applies to Air Performance Ratings.

Test Information

Tested for air performance in accordance with ANSI / AMCA Standard 500-D-07 (Pressure Drop), Figure 5.3.

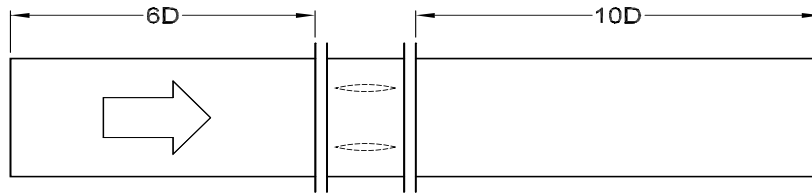
Only 100mm blade width and opposed blade action is AMCA certified.

Catalog ID: SPK 30-300 December 19, 2013

Right to alterations reserved.

Air Performance

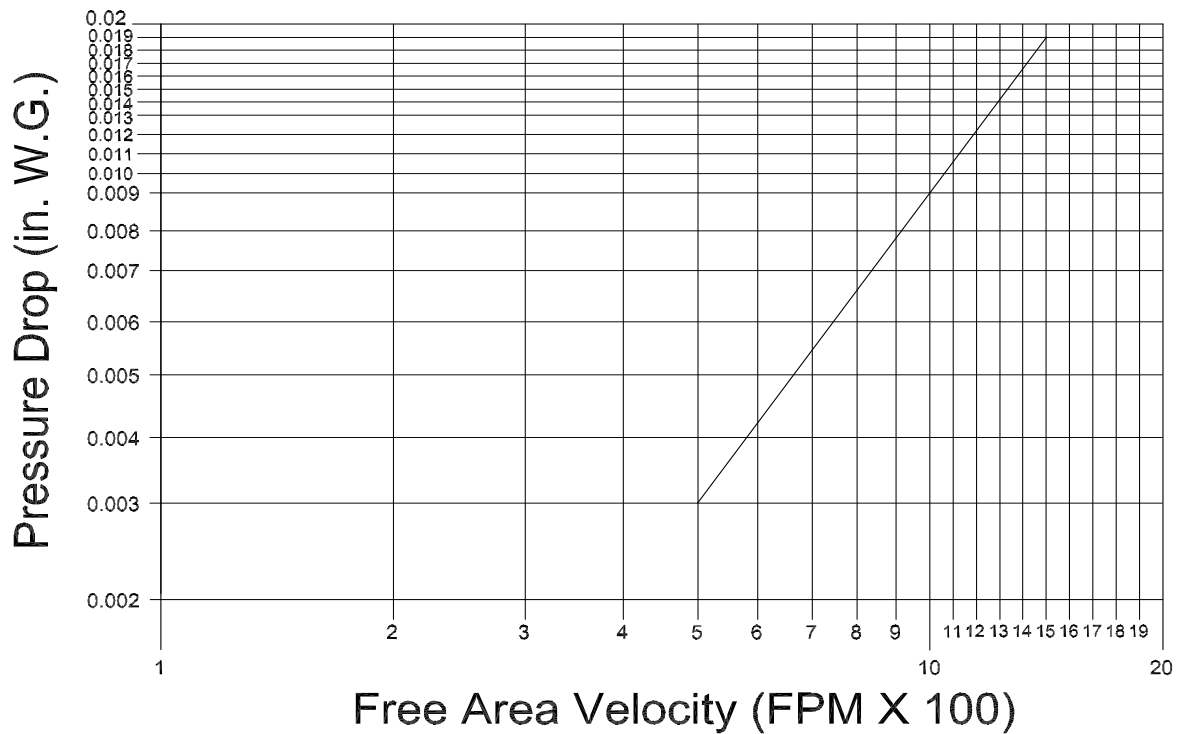
Pressure Drop



AMCA Test Figure 5.3

Pressure Drop at Face Area Velocity

Damper Size: 24in. x 24in. - Fully open blades



SAFID certifies that the Volume Control Damper shown herein is licensed to bear the AMCA Seal for Model SPK 30-300. The ratings shown are based on tests and procedures performed in accordance with AMCA Publication 511 and comply with the requirements of the AMCA Certified Ratings Program.

The AMCA Certified Ratings Seal applies to Air Performance Ratings.

Test Information

Tested for air performance in accordance with ANSI / AMCA Standard 500-D-07 (Pressure Drop), Figure 5.3.

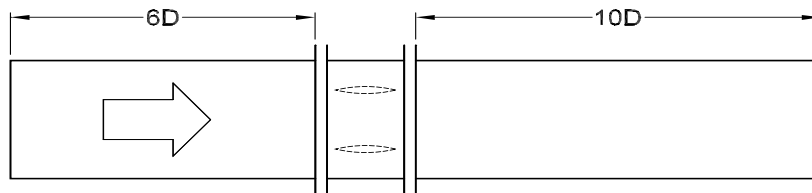
Only 100mm blade width and opposed blade action is AMCA certified.

Catalog ID: SPK 30-300 December 19, 2013

Right to alterations reserved.

Air Performance

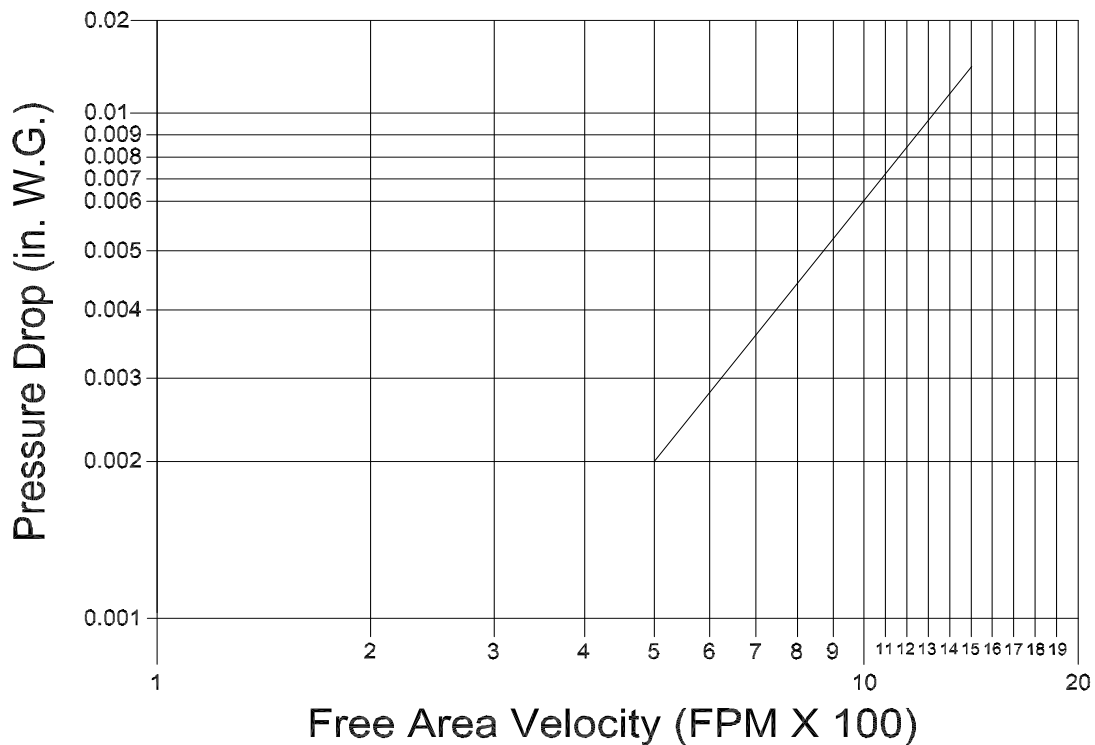
Pressure Drop



AMCA Test Figure 5.3

Pressure Drop at Face Area Velocity

Damper Size: 36in. x 36in. - Fully open blades



SAFID certifies that the Volume Control Damper shown herein is licensed to bear the AMCA Seal for Model SPK 30-300. The ratings shown are based on tests and procedures performed in accordance with AMCA Publication 511 and comply with the requirements of the AMCA Certified Ratings Program.

The AMCA Certified Ratings Seal applies to Air Performance Ratings.

Test Information

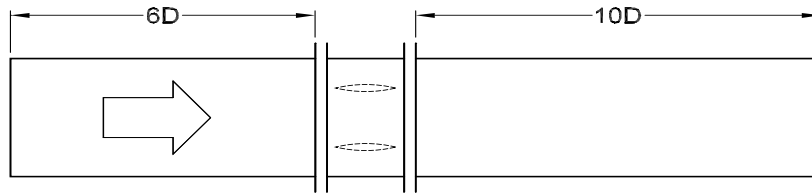
Tested for air performance in accordance with ANSI / AMCA Standard 500-D-07 (Pressure Drop), Figure 5.3.
Only 100mm blade width and opposed blade action is AMCA certified.

Catalog ID: SPK 30-300 December 19, 2013

Right to alterations reserved.

Air Performance

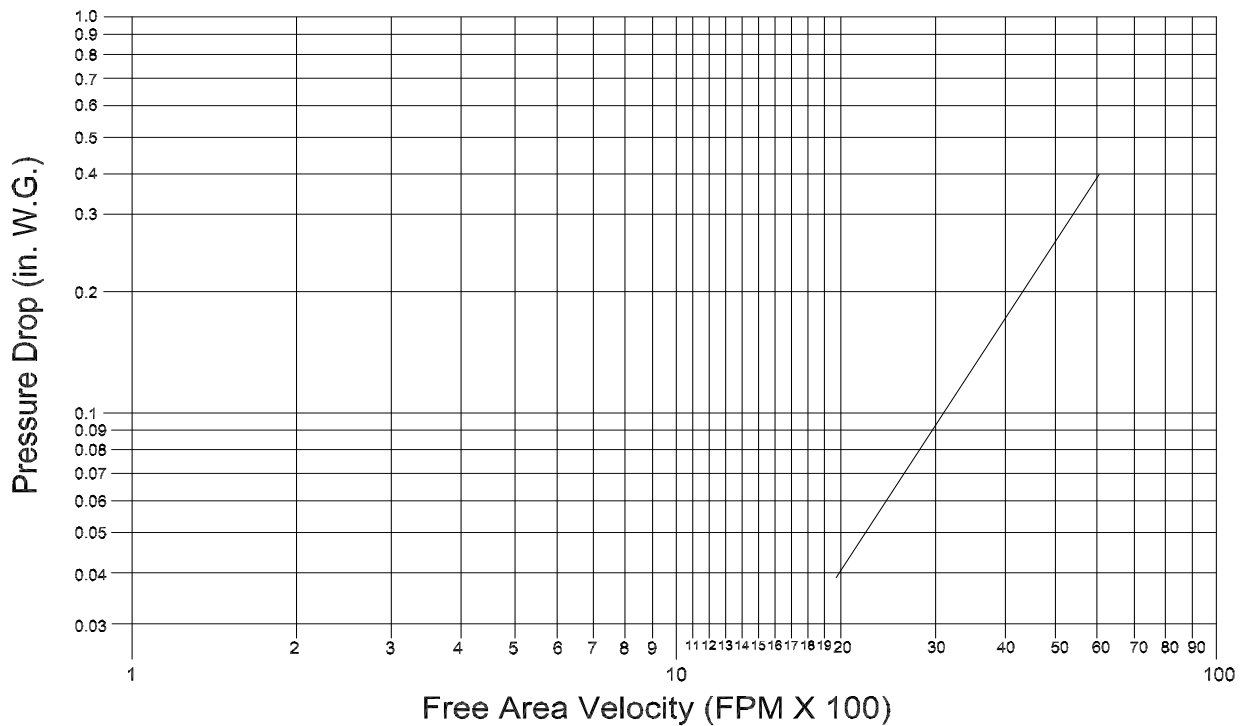
Pressure Drop



AMCA Test Figure 5.3

Pressure Drop at Face Area Velocity

Damper Size: 12in. x 48in. - Fully open blades



Safid certifies that the Volume Control Damper shown herein is licensed to bear the AMCA Seal for Model SPK 30-300. The ratings shown are based on tests and procedures performed in accordance with AMCA Publication 511 and comply with the requirements of the AMCA Certified Ratings Program.

The AMCA Certified Ratings Seal applies to Air Performance Ratings.

Test Information

Tested for air performance in accordance with ANSI / AMCA Standard 500-D-07 (Pressure Drop), Figure 5.3.

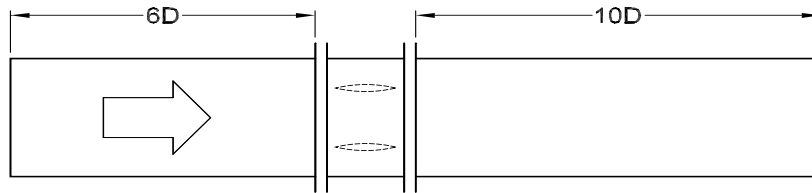
Only 100mm blade width and opposed blade action is AMCA certified.

Catalog ID: SPK 30-300 December 19, 2013

Right to alterations reserved.

Air Performance

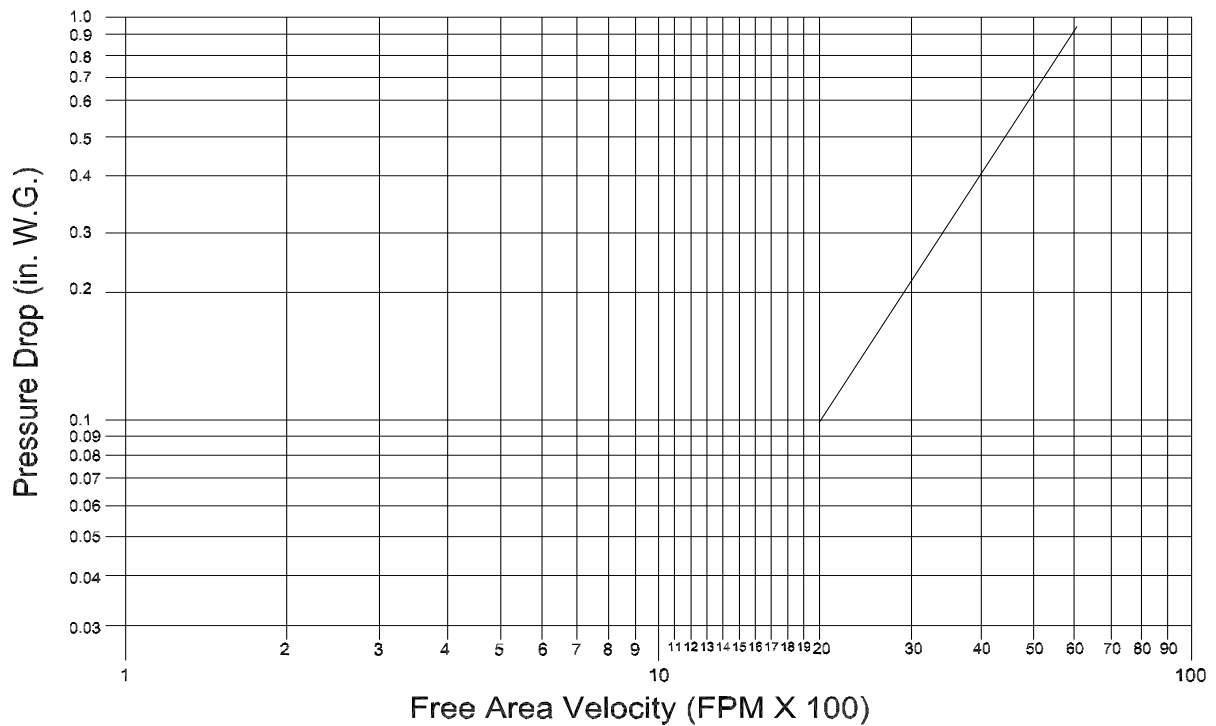
Pressure Drop



AMCA Test Figure 5.3

Pressure Drop at Face Area Velocity

Damper Size: 48in. X 12in. - Fully open blades



Safid certifies that the Volume Control Damper shown herein is licensed to bear the AMCA Seal for Model SPK 30-300. The ratings shown are based on tests and procedures performed in accordance with AMCA Publication 511 and comply with the requirements of the AMCA Certified Ratings Program.

The AMCA Certified Ratings Seal applies to Air Performance Ratings.

Test Information

Tested for air performance in accordance with ANSI / AMCA Standard 500-D-07 (Pressure Drop), Figure 5.3.
Only 100mm blade width and opposed blade action is AMCA certified.

Catalog ID: SPK 30-300 December 19, 2013

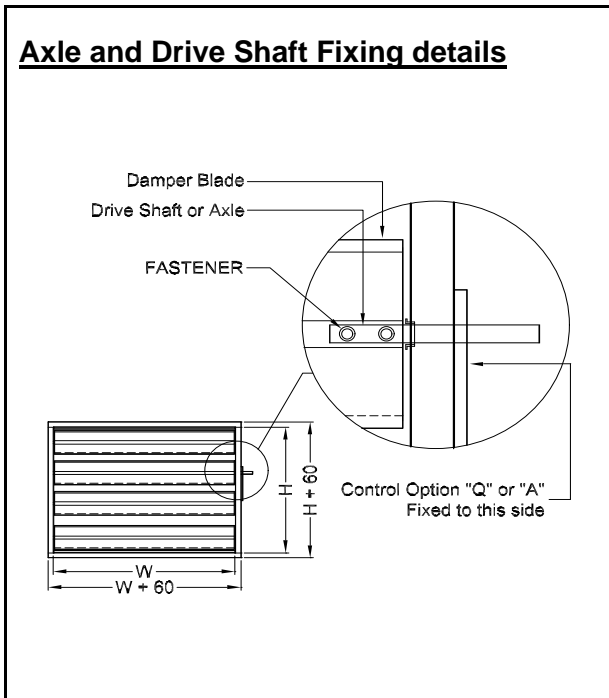
Right to alterations reserved.

Volume Control Damper

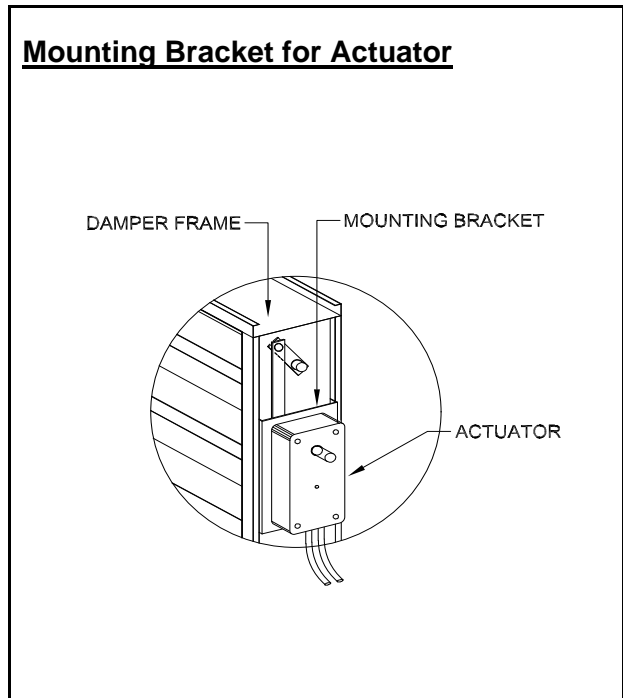
SPK 30 Series

Materials - Construction

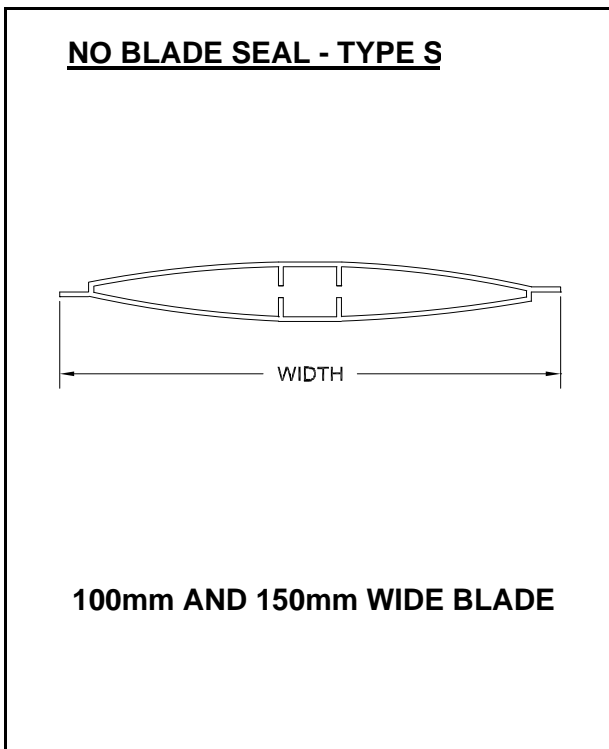
Drive Shaft



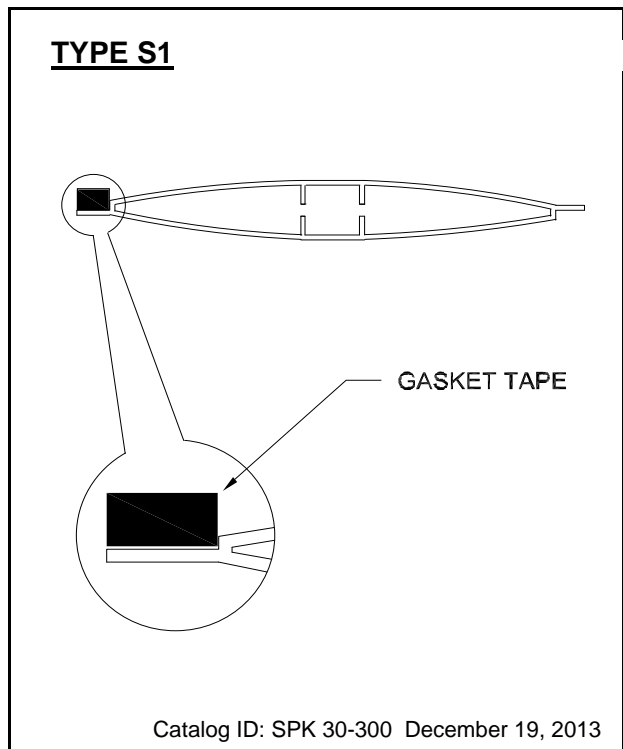
Mounting Bracket



Blade Profile (Standard)



Blade Seal (Optional)

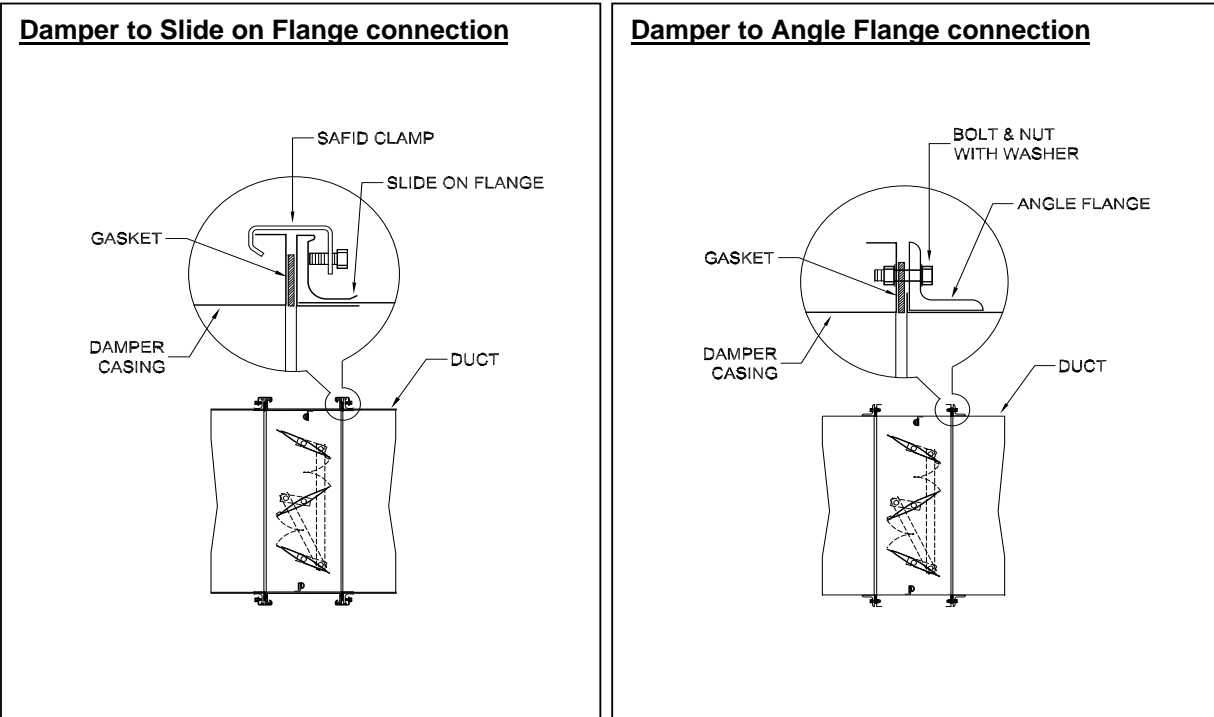


Right to alterations reserved.

Volume Control Damper

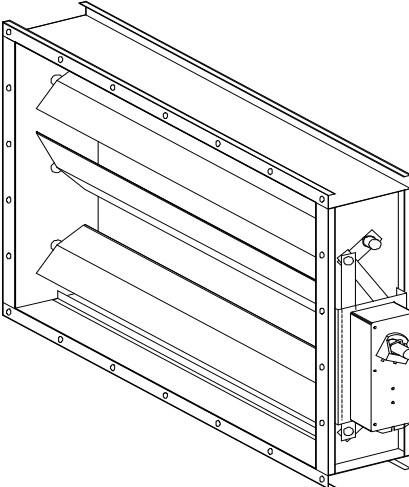
SPK 30 Series

Installation Details



Flange Drilling Details

Flange drilling details



Flange Drilling Details			
W in mm	H in mm	No. of Holes W Dim.	No. of Holes H Dim.
200	200	2	2
300	200	3	2
300	300	3	3
400	300	4	3
400	400	4	4
500	400	4	4
600	400	5	4
500	500	4	4
600	500	5	4
700	500	6	4
600	600	5	5
700	600	6	5
800	600	7	5
700	700	6	6
800	700	7	6
900	700	8	6
800	800	7	7
900	800	8	7
900	900	8	8

Catalog ID: SPK 30-300 December 19, 2013

Right to alterations reserved.

Product Range

Seals		Actuators	
Construction Variants	Description	Code	Type / Model
S	No seals (standard).	A1	BF230-ME, BF24-M3 Spring-return
S1	Blade's edge seals. Fitted to seal blades to blade's joint. Blade seal is a gasket tape 6mm wide.	A1S	BF230-S-ME, BF24-S-M3 Spring-return
		A01	BF230 Spring-return
		A02	BF24 Spring-return
		A03	AF230 Spring-return
		A04	AF230-S Spring-return with limit switch
		A05	AF230 US Spring-return
		A06	AF230-S US Spring-return with limit switch
		A07	AF120 US Spring-return
		A08	AF120-S US Spring-return with limit switch
		A09	AF24 US Spring-return
		A10	AF24-S US Spring-return with limit switch
		A11	AF24 SR Spring-return
		A12	NF24 US Spring-return
		A13	NF120 US Spring-return
		A14	NF24-S US Spring-return with limit switch
		A15	NF120-S US Spring-return with limit switch
		A16	NF24-SR US Modulating
		A17	SM230A open/closed
		A18	SM24A open/closed
		A19	SM230A-SR Modulating
		A20	NM230 open/closed
		A21	NM24 open/closed
		A22	NM24-SR Modulating
		A23	GM240 open/closed
		A24	GM24 open/closed
		A25	GM24-SR Modulating

Linkage	
Construction Variants	Description
PB	Side linkage concealed in frame for parallel blade operation.
OB	Side linkage concealed in frame for opposed blade operation.

Bearings	
Construction Variants	Description
B	Brass (standard supply)
B1	Sintered bronze oilite.
B2	Stainless steel.
B3	Hard PVC gear integrated with 12mm x 12mm axle (for opposed blades operation only).

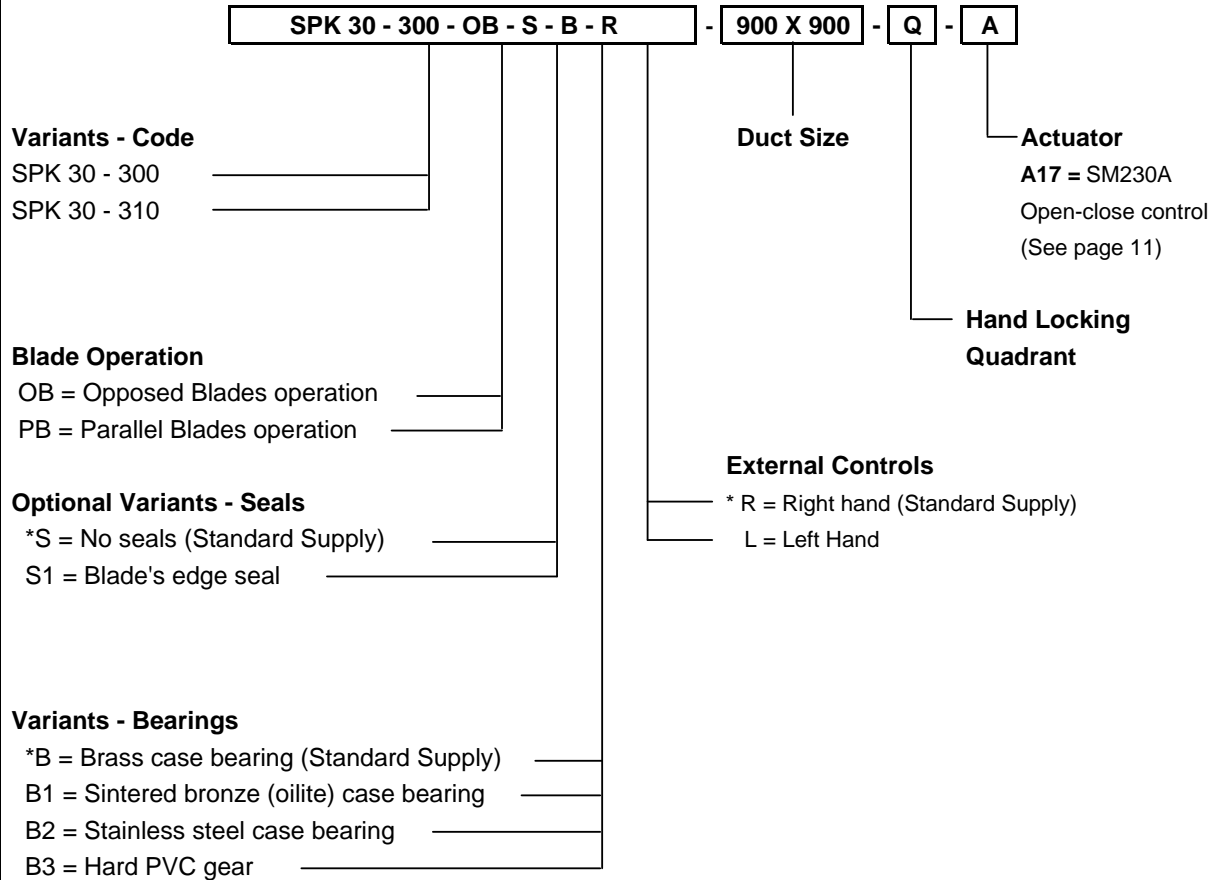
NOTE:
Contact SAFID for technical data sheet of actuators.

Catalog ID: SPK 30-300 December 19, 2013

Right to alterations reserved.

Order Details

Order Code



* - Stands for standard supply.

ORDER EXAMPLE

STANDARD

Make: SAFID

1. Type : SPK 30 - 300 - OB - S - B - R - 900 x 900 - A
2. Type : SPK 30 - 300 - OB - S - B - R - 900 x 900 - Q
3. Type : SPK 30 - 300 - OB - S - B3 - R - 900 x 900 - A

Catalog ID: SPK 30-300 December 19, 2013

Right to alterations reserved.