

Please read and save these instructions. Read carefully before attempting to assemble, install, operate or maintain the product described. Protect yourself and others by observing all safety information. Failure to comply with instructions could result in personal injury and/or property damage! Retain instructions for future reference.

Dayton® Heavy-Duty Belt-Drive Exhaust Fans

Description

Dayton exhaust fans are designed for commercial and industrial applications requiring high volume of air at low to medium static pressures. Construction includes heavy-duty drive frame channels, bearing plate and motor plate. The propeller utilizes a six-blade heavy-duty cast aluminum design. Heavy-duty ball bearings are regreasable cast pillow block and rated for L10 – 100,000 hours. Mount in vertical position for exhaust applications. All exhaust fans are UL/cUL listed standard 705.

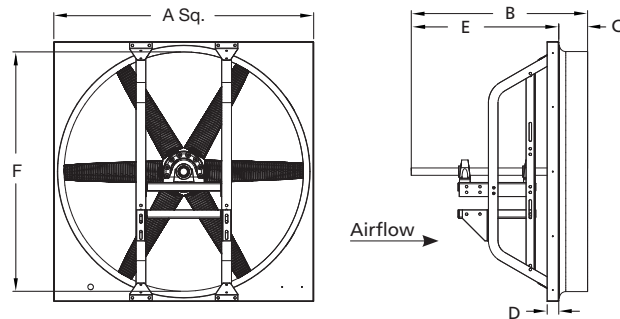


Figure 1 — Exhaust Dimensions

Optional Accessories

Description	General or UL 705 Model No.'s
NEMA 1 Dis. Switch:	
	1H400 (2 pole, 115/230V, 2HP max)
	1H401 (3 pole, 230V, 7½ HP max)
	1H401 (3 pole, 460V, 10HP max)
NEMA 4 Dis. Switch:	
	1H408 (2 pole, 115/230V, 2HP max)
	1H409 (3 pole, 230V, 7½ HP max)
	1H409 (3 pole, 460V, 10HP max)



Dayton Electric Mfg. Co. certifies that the ventilators shown herein are licensed to bear the AMCA seal. The ratings shown are based on tests and procedures performed in accordance with AMCA Publication 211 and AMCA Publication 311 and comply with the requirements of the AMCA Certified Ratings Program.

Optional Accessories (Continued)

Model	Prop. Dia.	CFM @ 0.000" SP	Galvanized Wall Shutter No.	Aluminum Wall Shutter No.	Fiberglass Wall Shutter No.	Shutter Motor No.	Wall Housing No.	Fan Guard No.	Wall Collar No.	Weather Hood No.
28A815	24"	All	1C746	3C308	5C215	2C831	3FKF8	1WBU3	1WVB1	1WVBV9
28A816	30	< 13,630 > 13,630	1C055 —	3C309 4FZH8	5C216 —	2C831	3FKF9	1WBU4	1WVB2	1WVBW1
28A817	36	< 18,590 18,590-22,300 > 22,300	4C521 — 3C729	3C310 4FZH9 3C131	5C217 — —	2C831	3FKG1	1WBU5	1WVB3	1WVBW2

Dimensions and Specifications (See Figure 1)

Model	Prop. Dia.	Shaft Dia.	A	B	C	D	E	F
28A815	24"	3/4"	28"	18"	4 ³ / ₈ "	1 ¹ / ₄ "	13 ⁵ / ₈ "	24 ³ / ₈ "
28A816	30	1	34	20	5 ¹ / ₄ "	1 ¹ / ₄ "	14 ³ / ₄ "	30 ³ / ₈ "
28A817	36	1 ¹ / ₄ "	40	22	6	1	16	36 ³ / ₈ "

ENGLISH

ESPAÑOL

FRANÇAIS

Dayton® Heavy-Duty Belt-Drive Exhaust Fans

ENGLISH

Performance

Model	Prop. Dia.	HP	Fan RPM	Max BHP	Sones @ 0.000" SP @ 5Ft.	CFM Air Delivery @ Static Pressure Shown						
						0.000"	0.125"	0.250"	0.375"	0.500"	0.625"	0.750"
28A815	24"	1/3	814	0.38	14.2	5608	4889	3679	—	—	—	—
		1/2	939	0.58	17.7	6469	5867	4987	3648	1158	—	—
		3/4	1068	0.86	21	7357	6847	6194	5282	2339	1469	—
		1	1178	1.15	24	8115	7669	7127	6375	5503	2475	1686
28A816	30	1/2	687	0.58	16.3	9474	7888	—	—	—	—	—
		3/4	783	0.86	19.7	10,798	9474	7730	—	—	—	—
		1	863	1.15	23	11,901	10,739	9276	—	—	—	—
		1½	989	1.73	27	13,639	12,646	11,452	10,112	—	—	—
		2	1087	2.30	31	14,990	14,090	13,072	11,885	10,489	—	—
		3	1245	3.45	39	17,169	16,387	15,570	14,596	13,547	12,372	10,720
28A817	36	3/4	620	0.86	20	14,345	11,967	—	—	—	—	—
		1	683	1.15	23	15,803	13,762	—	—	—	—	—
		1½	783	1.73	28	18,117	16,453	14,122	—	—	—	—
		2	861	2.30	31	19,922	18,434	16,458	13,986	—	—	—
		3	985	3.45	38	22,791	21,529	19,987	18,080	—	—	—
5	1166	5.75	50	26,979	25,947	24,763	23,368	21,737	20,121	—		

Performance certified is for installation type A: Free inlet, Free outlet. Power rating (BHP) does not include transmission losses. Performance ratings do not include the effects of appurtenances (accessories). The sound ratings shown are loudness values in fan sones at 5 ft. (1.5 m) in a hemispherical free field calculated per AMCA Standard 301. Values shown are for installation type A: Free inlet hemispherical sone levels.

Unpacking

1. Inspect for any damage that may have occurred during transit.
2. Shipping damage claim must be filed with carrier.
3. Look for hardware kit attached to drive frame of fan. Refer to page 8 for hardware contents.
4. Check all bolts, screws, set-screws, etc. for looseness that may have occurred during transit. Retighten as required. Rotate propeller by hand to be sure it turns freely.

General Safety Information

⚠ DANGER Do not depend on any switch as the sole means of disconnecting power when installing or servicing the fan. Always disconnect, lock and tag power

source before installing or servicing. Failure to disconnect power source can result in fire, shock or serious injury. Motor will restart without warning after thermal protector trips. Do not touch operating motor, it may be hot enough to cause injury.

⚠ DANGER Do not place any body parts or objects in fan, motor openings or drives while motor is connected to power source.

⚠ WARNING Do not use this equipment in explosive atmospheres!

1. Read and follow all instructions and cautionary markings. Make sure electrical power source conforms to requirements of equipment and local codes.
2. Fans should be assembled, installed and serviced by a qualified technician.

Have all electrical work performed by a qualified electrician.

3. Follow all local electrical and safety codes in the United States and Canada, as well as the National Electrical Code (NEC) and the Occupational Safety and Health Act (OSHA) in the United States. Ground motor in accordance with NEC Article 250 (grounding). Follow the Canadian Electric Code (CEC) in Canada.

⚠ CAUTION To reduce the risk of injury to persons, observe the following:

OSHA requires OSHA complying guards when ventilator is installed within 7 feet of floor or working level.

UL/cUL Standards require OSHA complying guards when ventilator is installed within 8 feet of floor or working level.

Models 28A815 thru 28A817

4. Do not kink power cable or allow it to come in contact with sharp objects, oil, grease, hot surfaces or chemicals. Replace damaged cords immediately.
5. Make certain that the power source conforms to the requirements for the equipment.
6. Motor must be securely and adequately grounded. This can be accomplished by wiring with a grounded, metal-clad race way system by using a separate ground wire connected to the bare metal of the motor frame, or other suitable means.

Installation

▲ WARNING *Installation, troubleshooting and parts replacement is to be performed only by qualified personnel.*

NOTE: Refer to motor nameplate for wiring procedures. Refer to switch manufacturer for installation and wiring procedures.

WALL MOUNTING

1. Move fan to the desired location and determine the method by which the fan is to be mounted as shown in Figures 2, 3, 4 and 5. Optional wall collar (Figure 3), wall collar and guard (Figure 4) or wall housing (Figure 5) provide a convenient means of mounting sidewall fans.
2. Wall opening size and propeller-to-shutter distance are two important dimensions for fan installation. Fans mounted to the wall require a different opening size than those mounted in collars or housings. See step 7 for wall opening sizes.
3. Figure 2 shows the recommended wall opening for direct to wall installations.

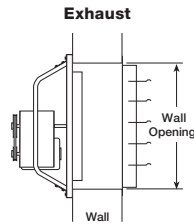


Figure 2 — Direct to Wall Installation

4. Figure 3 shows the wall opening required for installations using a wall collar.

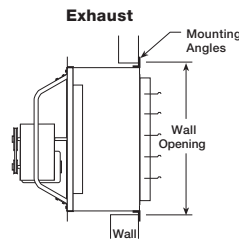


Figure 3 — Wall Collar Installation

5. Figure 4 shows the wall opening required for installation with a wall collar and a guard.

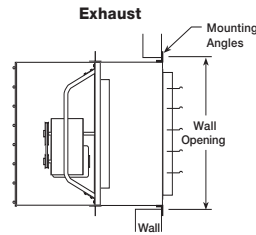


Figure 4 — Wall Collar & Guard Installation

6. Figure 5 shows the wall opening required for installation with a wall housing.

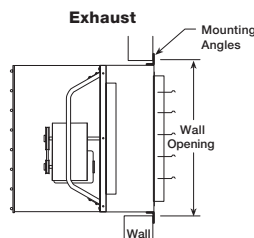


Figure 5 — Wall Housing Installation

7. Cut an appropriate sized opening in the wall using the table below.

Model	Prop. Dia.	Wall Opening Install	
		Direct to Wall	Wall Collar (wc), WC & Guard, or Wall Housing
28A815	24"	26½" x 26½"	29⅝" x 29⅝"
28A816	30	32½" x 32½"	35⅝" x 35⅝"
28A817	36	38½" x 38½"	41⅝" x 41⅝"

8. The fan should be securely mounted within a rigid framework to prevent flexing or movement of the fan frame during operation. The fan frame should be equally supported on all sides within the framework and caution should be taken to avoid twisting of the fan frame during installation.

NOTE: Allowing the fan frame to flex or move during operation will create harmful vibrations which may damage the unit.

9. Fans should be mounted in opening with 1/4" clearance around perimeter. Framing should be secured to building structure utilizing corrosion resistant fasteners, supplied by others. Fasteners should be used in all pre-punched mounting holes in the fan panel.
10. Install remaining components (shutter, intake guard, etc.).
11. Check all fasteners and set screws for tightness. This is especially important for bearing set screws.

ENGLISH

Dayton® Heavy-Duty Belt-Drive Exhaust Fans

ENGLISH

Installation (Continued)

12. Rotation direction of the propeller should be checked momentarily by turning the unit on. Rotation should be in the same direction as the rotation decal affixed to the unit or as shown in Figure 6. For 3-phase installations, fan rotation can be reversed by interchanging any two of the three electrical leads. For single phase installations follow the wiring diagram located on the motor or see Figure 11.

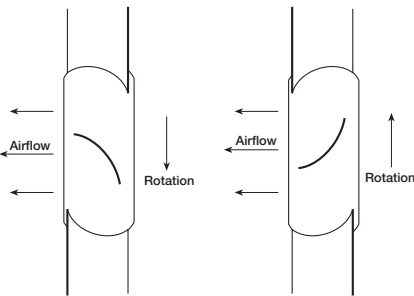


Figure 6 — Rotation Decal
MOTOR AND PULLEY MOUNTING

CAUTION Never adjust pitch of propeller blades in field. Blade pitch should only be changed by manufacturer.

NOTE: For UL/cUL Listed units, the motor used with this fan must be designated as such by Dayton.

1. Secure motor to plate using hardware provided. Holes will align when the motor frame (shaft end) is flush with the edge of the motor plate. Motor mounting hardware is included in the hardware kit attached to the drive frame. Refer to Figure 7 for mounting position based on motor frame size. Refer to page 6 for contents of kit.

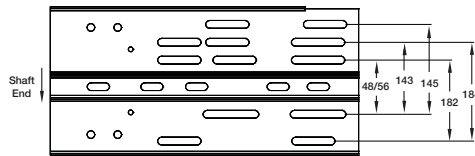


Figure 7 — Motor Mounting Positions Based on Motor Frame Size

2. Mount pulleys on shafts and secure with set screw. Check pulleys for proper alignment. Misaligned pulleys lead to excessive belt wear, vibration and noise.

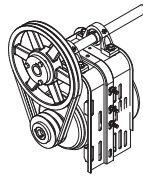


Figure 8 — Drive Package Diagram for 24 - 36" Propeller Diameter

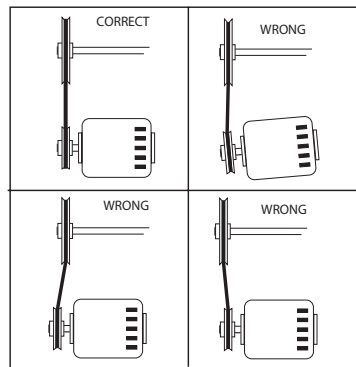


Figure 9 — Pulley Alignment

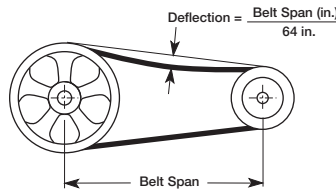


Figure 10 — Belt Tension

3. Install the belt and adjust the tension to allow for 1/64" of deflection per

inch of span when moderate thumb pressure is applied to the belt. Too much tension will cause excess bearing wear and noise. Too little tension will cause slippage at startup and uneven wear.

4. Adjust RPM to desired level using a variable pitch pulley. After adjustment, motor amperage should be checked to avoid overloading of the motor.

ELECTRICAL CONNECTION

CAUTION Motor and fan must be securely grounded (bare metal) to a suitable electric ground, such as a grounded water pipe or ground wire system.

WARNING To reduce the risk of electrical shock — do not connect to a circuit operating at more than 150V to ground.

NOTE: For UL/cUL listed units, the motor used with this fan must be designated as such by Dayton.

1. Ensure the motor you are wiring has been UL/cUL approved for this unit. This label can be found on the unit.
2. Wire motor for desired voltage per wiring diagram on motor or refer to Figure 11 for connection wiring diagram.

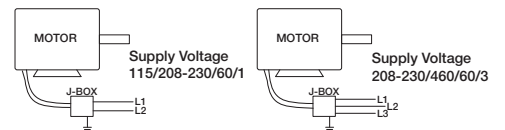


Figure 11 — Typical Wiring Diagram

3. Wire control switches at ground level.
4. Before activating fan, inspect to be sure that there are no obstructions or debris that would interfere with the propeller.

Models 28A815 thru 28A817

Operation

1. Before starting up or operating your new Dayton ventilator, check all fasteners for tightness. In particular, check bearing set screws in propeller hub (and sheaves, if applicable). While in the OFF position, or before connecting the ventilator to power, turn the fan propeller by hand to be sure it is not striking the orifice or any obstacle.
 2. Start the fan up and shut it off immediately to check rotation of the propeller with directional arrow in the motor compartment. Refer back to Figure 6.
 3. When the fan is started, observe the operation and check for any unusual noises.
 4. Adjust RPM to desired level using a variable pitch pulley.
 5. Motor amperage should be checked to avoid overloading of the motor. With the system in full operation measure current input to the motor and compare with the nameplate rating to determine if the BHP is operating under safe load conditions. See performance on page 2.
- IMPORTANT:** Adjust (tighten) belt tension after the first 24 hours of operation.
6. Keep inlets and approaches to fan clean and free from obstruction.

Maintenance

⚠ WARNING *Disconnect and lockout power source before servicing.*

⚠ CAUTION *Uneven cleaning of the propeller will produce an out of balance condition that will cause vibration in the fan.*

1. Depending on the usage and severity of the contaminated air, a regularly scheduled inspection for cleaning the fan propeller, housing and surrounding areas should be established.
2. Check for unusual noises when fan is running.
3. Periodically inspect and tighten set-screws.
4. Periodically check belts for wear and tightness.

NOTE: When replacing belts use the same type as supplied with the unit.

NOTE: For belt replacement, loosen the motor mounting hardware to allow removal of the belt by hand.

⚠ WARNING *Do not force belts on or off. This may cause cords to break, leading to premature belt failure.*

5. All fan bearings are pre-lubricated. Sealed pillow block bearings require no further lubrication.
6. Follow motor manufacturer's instructions for motor lubrication.
7. For disassembly refer to the parts illustration.
8. For critical applications, a spare motor and belts should be available.

RECOMMENDED RELUBRICATION FREQUENCY IN MONTHS

Operating Speed (RPM)	Bore in Inches 1/2 to 1 1/2
Up to 500	6
500 - 1000	6
1000 - 1500	5

NOTE: If unusual environmental conditions exist - high temperature, moisture, or contaminants - more frequent lubrication is recommended.

Any good quality lithium base grease conforming to NLGI Grade 2 consistency such as those listed here may be used.

Mobil 532	Texaco Multifak #2
Mobilux #2	Texaco Premium RB
B Shell Alvania #2	Unirex N2

For Repair Parts, visit Grainger.com®

Please provide following information:

- Model number
- Serial number (if any)
- Part description and number as shown in parts list

E
N
G
L
I
S
H

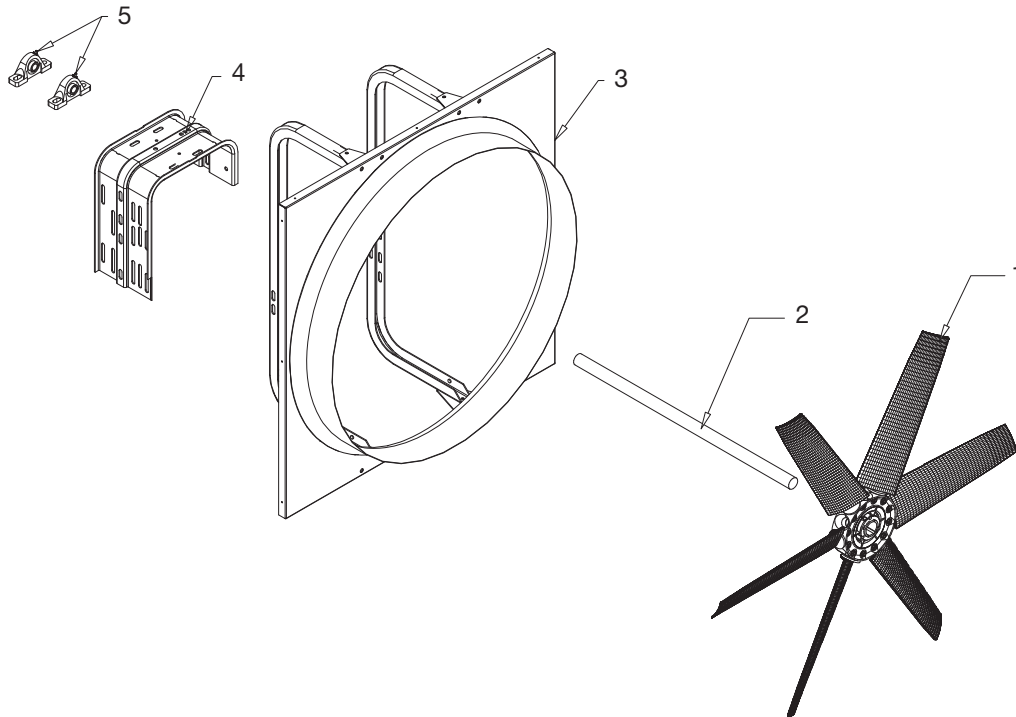


Figure 12 — Repair Parts Illustration for Heavy-Duty for Belt-Drive Exhaust Fans

Repair Parts List for Heavy-Duty Belt-Drive Exhaust Fans (See Figure 12)

Reference Number	Description	Part Number For Models:			Qty.
		28A815	28A816	28A817	
1	Propeller	50K377	50K378	50K379	1
2	Shaft	50K395	50K396	50K397	1
3	Fan Panel & Drive Frame Assembly	50K341	50K344	50K347	1
4	Motor Bearing Plate	50K366	50K367	50K369	1
5	Bearings	4XW60	4XW61	4XW63	2
(*)	(‡) Hardware Kit	50K357	50K357	50K357	1

(*) Not Shown.

(‡) Includes (4) Spin-lock Nut 3/8-16, (4) Spin-lock Nut 5/16-18, (4) Spin-lock Bolt 3/8-16 x 3/4, (4) Spin-lock Bolt 5/16-18 x 3/4, (4) Rectangular Flat Washer 5/16, (4) Flat Washer 3/8, (1) Key Shaft, 3/16 x 3/16 x 1 1/2 (1) Key Shaft, 1/4 x 1/4 x 1 1/2, (1) Key Shaft, 3/8 x 3/8 x 2

Models 28A815 thru 28A817

Troubleshooting Chart

Symptom	Possible Cause(s)	Corrective Action
Fan inoperative	<ol style="list-style-type: none"> 1. Blown fuse or breaker 2. Defective motor 3. Incorrectly wired 4. Broken belts 5. Loose pulley(s) 6. Electricity turned off 	<ol style="list-style-type: none"> 1. Replace or repair 2. Replace or repair 3. Shut power OFF and check wiring for proper connections 4. Replace belts 5. Check alignment and tighten 6. Contact local power company
Airflow - Insufficient	<ol style="list-style-type: none"> 1. Damper (shutter) stuck shut 2. Speed too slow 3. Belt slippage 	<ol style="list-style-type: none"> 1. Inspect/repair damper 2. Check for correct drive combination 3. Replace/adjust tension and match belt to pulley
Airflow - Reversed air	<ol style="list-style-type: none"> 1. Propeller rotation reversed 	<ol style="list-style-type: none"> 1. Reverse motor rotation, rewire motor
Airflow - Too much air	<ol style="list-style-type: none"> 1. Insufficient static pressure 	<ol style="list-style-type: none"> 1. Check static pressure calculation, adjust VP pulleys to more turns open
Excessive noise or vibration	<ol style="list-style-type: none"> 1. Loose or defective bearings 2. Foreign material inside bearing 3. Pulley not tightened on shaft (motor and or fan) 4. Loose propeller 5. Belt(s) too loose/tight 6. Belts are worn, oily or dirty 7. Mis-aligned pulley(s) 8. Crooked or damaged propeller 9. Fan not securely anchored 10. Bent fan shaft 11. Fan propeller out of balance 	<ol style="list-style-type: none"> 1. Tighten or replace bearings 2. Replace bearing 3. Check alignment and tighten setscrews and/or bushing screws 4. Tighten set screws or taper bushing screws 5. Adjust tension 6. Clean or replace belts 7. Re-align pulley(s) 8. Replace propeller 9. Secure properly 10. Replace shaft and propeller 11. Replace propeller
Motor overloads or overheats	<ol style="list-style-type: none"> 1. Propeller RPM too high 2. Shorted motor winding 3. Incorrect propeller rotation 4. Over/Under line voltage 5. Belt slippage 	<ol style="list-style-type: none"> 1. Check drives, increase turns open on VP pulley 2. Replace motor 3. Check motor wiring 4. Contact Power Company 5. Tighten belt, match belt to pulley

Dayton® Heavy-Duty Belt-Drive Exhaust Fans

LIMITED WARRANTY

DAYTON ONE-YEAR LIMITED WARRANTY. DAYTON® HEAVY-DUTY BELT-DRIVE EXHAUST FANS, MODELS COVERED IN THIS MANUAL, ARE WARRANTED BY DAYTON ELECTRIC MFG. CO. (DAYTON) TO THE ORIGINAL USER AGAINST DEFECTS IN WORKMANSHIP OR MATERIALS UNDER NORMAL USE FOR ONE YEAR AFTER DATE OF PURCHASE. ANY PART WHICH IS DETERMINED TO BE DEFECTIVE IN MATERIAL OR WORKMANSHIP AND RETURNED TO AN AUTHORIZED SERVICE LOCATION, AS DAYTON DESIGNATES, SHIPPING COSTS PREPAID, WILL BE, AS THE EXCLUSIVE REMEDY, REPAIRED OR REPLACED AT DAYTON'S OPTION. FOR LIMITED WARRANTY CLAIM PROCEDURES, SEE "PROMPT DISPOSITION" BELOW. THIS LIMITED WARRANTY GIVES PURCHASERS SPECIFIC LEGAL RIGHTS WHICH VARY FROM JURISDICTION TO JURISDICTION.

LIMITATION OF LIABILITY. TO THE EXTENT ALLOWABLE UNDER APPLICABLE LAW, DAYTON'S LIABILITY FOR CONSEQUENTIAL AND INCIDENTAL DAMAGES IS EXPRESSLY DISCLAIMED. DAYTON'S LIABILITY IN ALL EVENTS IS LIMITED TO AND SHALL NOT EXCEED THE PURCHASE PRICE PAID.

WARRANTY DISCLAIMER. A DILIGENT EFFORT HAS BEEN MADE TO PROVIDE PRODUCT INFORMATION AND ILLUSTRATE THE PRODUCTS IN THIS LITERATURE ACCURATELY; HOWEVER, SUCH INFORMATION AND ILLUSTRATIONS ARE FOR THE SOLE PURPOSE OF IDENTIFICATION, AND DO NOT EXPRESS OR IMPLY A WARRANTY THAT THE PRODUCTS ARE MERCHANTABLE, OR FIT FOR A PARTICULAR PURPOSE, OR THAT THE PRODUCTS WILL NECESSARILY CONFORM TO THE ILLUSTRATIONS OR DESCRIPTIONS. EXCEPT AS PROVIDED BELOW, NO WARRANTY OR AFFIRMATION OF FACT, EXPRESSED OR IMPLIED, OTHER THAN AS STATED IN THE "LIMITED WARRANTY" ABOVE IS MADE OR AUTHORIZED BY DAYTON.

Technical Advice and Recommendations, Disclaimer. Notwithstanding any past practice or dealings or trade custom, sales shall not include the furnishing of technical advice or assistance or system design. Dayton assumes no obligations or liability on account of any unauthorized recommendations, opinions or advice as to the choice, installation or use of products.

Product Suitability. Many jurisdictions have codes and regulations governing sales, construction, installation, and/or use of products for certain purposes, which may vary from those in neighboring areas. While attempts are made to assure that Dayton products comply with such codes, Dayton cannot guarantee compliance, and cannot be responsible for how the product is installed or used. Before purchase and use of a product, review the product applications, and all applicable national and local codes and regulations, and be sure that the product, installation, and use will comply with them.

Certain aspects of disclaimers are not applicable to consumer products; e.g., (a) some jurisdictions do not allow the exclusion or limitation of incidental or consequential damages, so the above limitation or exclusion may not apply to you; (b) also, some jurisdictions do not allow a limitation on how long an implied warranty lasts, consequently the above limitation may not apply to you; and (c) by law, during the period of this Limited Warranty, any implied warranties of implied merchantability or fitness for a particular purpose applicable to consumer products purchased by consumers, may not be excluded or otherwise disclaimed.

Prompt Disposition. A good faith effort will be made for prompt correction or other adjustment with respect to any product which proves to be defective within limited warranty. For any product believed to be defective within limited warranty, first write or call dealer from whom the product was purchased. Dealer will give additional directions. If unable to resolve satisfactorily, write to Dayton at address below, giving dealer's name, address, date, and number of dealer's invoice, and describing the nature of the defect. Title and risk of loss pass to buyer on delivery to common carrier. If product was damaged in transit to you, file claim with carrier.

Manufactured for Dayton Electric Mfg. Co., 100 Grainger Parkway, Lake Forest, IL 60045-5201 U.S.A.

Por favor lea y guarde estas instrucciones. Léalas cuidadosamente antes de tratar de montar, instalar, operar o dar mantenimiento al producto aquí descrito. Protéjase usted mismo y a los demás observando toda la información de seguridad. ¡El no cumplir con las instrucciones puede ocasionar daños, tanto personales como a la propiedad! Guarde estas instrucciones para referencia en el futuro.

Ventiladores Aspirantes de Transmisión por Correa para Servicio Pesado Dayton®

Descripción

Los ventiladores aspirantes Dayton están diseñados para aplicaciones comerciales e industriales que requieran volúmenes altos de aire a presiones estáticas bajas. La construcción incluye guías del bastidor motriz para servicio pesado, disco de presión y placa del motor. La hélice utiliza un diseño de acero galvanizado de seis paletas. Los rodamientos de bolas para servicio pesado son de chumacera de hierro que se puede volver a engrasar y están clasificados para L10, es decir 100,000 horas. Montar en posición vertical para operaciones de escape. Todos los ventiladores aspirantes aparecen en las listas de UL/cUL con la norma 705.

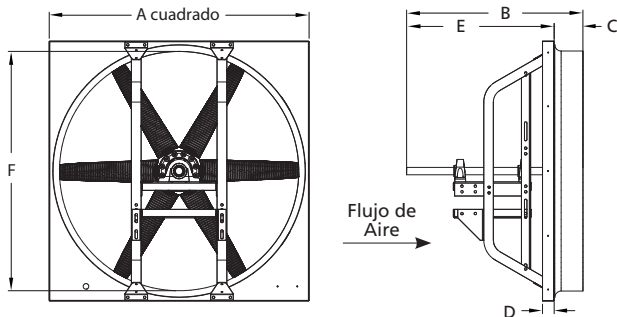


Figura 1 — Dimensiones de Extracción

Accesorios Opcionales

Descripción	General o UL 705 N° de Modelo
-------------	----------------------------------

- Interruptor de Desconexión NEMA 1:
- 1H400 (bipolar, 115/230 V, 2 HP máx.)
 - 1H401 (tripolar, 230 V, 7½ HP máx.)
 - 1H401 (tripolar, 460 V, 10 HP máx.)
- Interruptor de Desconexión NEMA 4:
- 1H408 (bipolar, 115/230 V, 2 HP máx.)
 - 1H409 (tripolar, 230 V, 7½ HP máx.)
 - 1H409 (tripolar, 460 V, 10 HP máx.)



E53236



Dayton Electric Mfg. Co. certifica que los ventiladores que aquí se muestran tienen licencia para llevar el sello AMCA. Los niveles que se muestran se basan en pruebas y procedimientos realizados según la Publicación 211 y 311 de AMCA y cumplen los requisitos del Programa Certified Ratings de AMCA.

E
S
P
A
Ñ
O
L

Accesorios Opcionales (Continuación)

Modelo	Diá. de la Hélice	CFM a 0,000" SP	N° de Persiana de Pared Galvanizada	N° de Persiana de Pared de Aluminio	N° de Persiana de Pared de Fibra de Vidrio	N° de Motor de Persiana	N° de Carcasa de Pared	N° de Protector de Ventilador	N° de Collar de Pared	N° de Cubierta
28A815	61,0 cm	Todos	1C746	3C308	5C215	2C831	3FKF8	1WBU3	1WBV1	1WBV9
28A816	76,2	< 13,630 > 13,630	1C055 —	3C309 4FZH8	5C216 —	2C831	3FKF9	1WBU4	1WBV2	1WBW1
28A817	91,4	< 18,590 18,590-22,300 > 22,300	4C521 — 3C729	3C310 4FZH9 3C131	5C217 — —	2C831	3FKG1	1WBU5	1WBV3	1WBW2

Dimensiones y Especificaciones (Consulte la Figura 1)

Modelo	Diá. de la Hélice	Diám. del Eje	A	B	C	D	E	F
28A815	61,0 cm	1,9 cm	71,1 cm	45,7 cm	11,1 cm	3,2 cm	34,7 cm	61,9
28A816	76,2	2,5	86,4	50,8	13,3	3,2	37,5	77,2
28A817	91,4	3,2	101,6	55,9	15,2	2,5	40,6	92,4

Formulario 557234

Impreso en EE.UU.
04632
Versión 0

475937
Mod. 1 de enero 2013

Dayton®

Ventiladores Aspirantes de Transmisión por Correa para Servicio Pesado Dayton®

Rendimiento

Modelo	Diá. de la Hélice	HP	RPM del Ventilador	BHP Máx.	Sonios a 0,250" SP a 5 pies							
					Suministro de Aire en CFM a la Presión Estática que se Muestra							
					0,000"	0,125"	0,250"	0,375"	0,500"	0,625"	0,750"	
28A815	61,0 cm	1/3	814	0,38	14,2	5608	4889	3679	—	—	—	
		1/2	939	0,58	17,7	6469	5867	4987	3648	1158	—	
		3/4	1068	0,86	21,0	7357	6847	6194	5282	2339	1469	
		1	1178	1,15	24,0	8115	7669	7127	6375	5503	2475	1686
28A816	76,2	1/2	687	0,58	16,3	9474	7888	—	—	—	—	
		3/4	783	0,86	19,7	10.798	9474	7730	—	—	—	
		1	863	1,15	23,0	11.901	10.739	9276	—	—	—	
		1½	989	1,73	27,0	13.639	12.646	11.452	10.112	—	—	
		2	1087	2,30	31,0	14.990	14.090	13.072	11.885	10.489	—	
		3	1245	3,45	39,0	17.169	16.387	15.570	14.596	13.547	12.372	10.720
28A817	91,4	3/4	620	0,86	20	14.345	11.967	—	—	—	—	
		1	783	1,15	23	15.803	13.762	—	—	—	—	
		1½	783	1,73	28	18.117	16.453	14.122	—	—	—	
		2	861	2,30	31	19.922	18.434	16.458	13.986	—	—	
		3	985	3,45	38	22.791	21.529	19.987	18.080	—	—	
		5	1166	5,75	50	26.979	25.947	24.763	23.368	21.737	20.121	—

El rendimiento certificado es para instalaciones de tipo A: entrada y salida libre. La potencia nominal (BHP) no incluye las pérdidas de transmisión. El rendimiento efectivo no incluye los efectos de aditamentos (accesorios). El nivel de ruido que se muestra corresponde a valores de intensidad sonora en sonios del ventilador a 1,5 m (5 pies) de distancia en un campo hemisférico libre según la norma 301 de AMCA. Los valores que se muestran son para instalaciones de tipo A: Niveles de sonios hemisféricos de entrada libre.

Desembalaje

1. Revise si existen daños que se puedan haber producido durante el transporte.
2. Se debe presentar una queja por daños de transporte a la empresa de transporte.
3. Busque la bolsa con el juego de piezas metálicas adosado al bastidor del ventilador. Consulte la página 8 para conocer el contenido de las piezas.
4. Compruebe que ninguno de los pernos, tornillos, tornillos de fijación, etc. se haya soltado durante el transporte. Vuelva a apretarlos, según sea necesario. Gire la hélice con la mano para asegurarse de que gire libremente.

Información de Seguridad General

⚠ PELIGRO No dependa de ningún interruptor como el único medio para desconectar la energía al momento de instalar o de realizar mantenimiento al ventilador. Siempre desconecte, bloquee y etiquete la fuente de energía antes de instalar o

realizar mantenimiento. Si no se desconecta la fuente de energía, se puede provocar un incendio, descargas eléctricas o lesiones graves. El motor volverá a arrancar sin advertencia después de que se active el protector térmico. No toque el motor mientras esté en funcionamiento, podría estar lo suficientemente caliente para provocar lesiones.

⚠ PELIGRO No coloque partes del cuerpo ni objetos en el ventilador, o en los orificios o las transmisiones del motor mientras éste se encuentre conectado a la fuente de energía.

⚠ ADVERTENCIA ¡No use este equipo en atmósferas explosivas!

1. Lea y siga todas las instrucciones y marcas de precaución. Asegúrese de que la fuente de energía eléctrica cumpla los requisitos del equipo y los códigos locales.
2. Un técnico calificado debe realizar el montaje, la instalación y el

mantenimiento de los ventiladores. Un electricista calificado debe realizar todo el trabajo eléctrico.

3. Respete todos los códigos eléctricos y de seguridad locales de los Estados Unidos y Canadá, así como también, el National Electrical Code (NEC) y la Ley de seguridad y salud ocupacionales (OSHA, por sus siglas en inglés) de los Estados Unidos. Conecte el motor a tierra de acuerdo con el Artículo 250 de NEC (conexión a tierra). Respete el Código Eléctrico Canadiense (CEC, por sus siglas en inglés) en Canadá.

⚠ PRECAUCIÓN Para reducir el riesgo de lesiones a personas, respete lo siguiente:

La OSHA exige protectores que cumplan la normativa de OSHA cuando el ventilador se instale a 2,1 m (7 pies) del piso o al nivel de trabajo.

Las normas UL/CUL exigen protectores que cumplan la normativa de OSHA cuando el ventilador se instale a 2,4 m (8 pies) del piso o al nivel de trabajo.

Modelos 28A815 a 28A817

- No enrosque el cable de alimentación ni permita que entre en contacto con objetos filosos, aceite, grasa, superficies calientes ni productos químicos. Reemplace inmediatamente los cables dañados.
- Asegúrese de que la fuente de energía esté en conformidad con los requisitos del equipo.
- El motor debe estar conectado a tierra de manera segura y fija. Ello se puede lograr cableando con un sistema de canal de conducción blindado conectado a tierra con un cable de conexión a tierra aparte conectado a la parte metálica desnuda del bastidor del motor u otro medio apropiado.

Instalación

ADVERTENCIA *Sólo personal calificado debe realizar la instalación, la solución de problemas y el reemplazo de partes.*

NOTA: Consulte la placa de identificación del motor para conocer los procedimientos de cableado. Consulte al fabricante del interruptor para obtener los procedimientos de instalación y cableado.

MONTAJE LA EN PARED

- Mueva el ventilador a la ubicación deseada y determine el método con el que se montará como se muestra en las Figuras 2, 3, 4 y 5. El collar de pared opcional (Figura 3), el collar y protección de pared (Figura 4) o la carcasa de pared (Figura 5) proporcionan un medio cómodo de montar ventiladores de pared lateral.
- El tamaño de la abertura en la pared y la distancia de la hélice a la persiana son dos dimensiones importantes para la instalación del ventilador. Los ventiladores que se montan en la pared requieren un tamaño diferente de abertura de aquellos que se montan en collares o carcasas. Consulte el paso 7 para conocer los tamaños de las aberturas en la pared.
- La Figura 2 muestra la abertura en la pared recomendada para instalaciones directas en la pared.

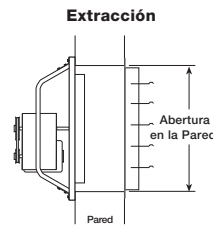


Figura 2 — Instalación Directa en la Pared

- La Figura 3 muestra la abertura en la pared necesaria para las instalaciones que usan un collar de pared.

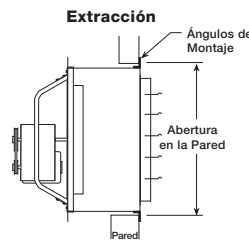


Figura 3 — Instalación de Collar de Pared

- La Figura 4 muestra la abertura en la pared necesaria para las instalaciones con un collar de pared y un protector.

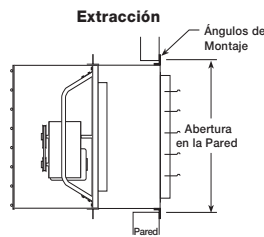


Figura 4 — Instalación de Collar de Pared y Protector

- La Figura 5 muestra la abertura en la pared necesaria para instalaciones con una carcasa de pared.

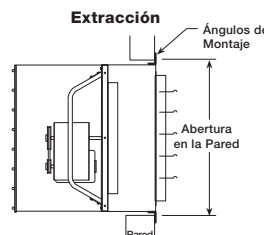


Figura 5 — Instalación de Carcasa de Pared

- Corte una abertura del tamaño adecuado en la pared usando la tabla que aparece a continuación.

Modelo	Diá. de la Hélice	Instalación en Abertura en la Pared	
		Directo en la Pared	Collar de Pared (CP) y Protección o Carcasa de Pared
28A815	61,0 cm	67,3 x 67,3 cm	75,2 x 75,2 cm
28A816	76,2	82,6 x 82,6	90,5 x 90,5
28A817	91,4	97,8 x 97,8	105,7 x 105,7

- El ventilador se debe montar con firmeza dentro de un armazón rígido a fin de evitar la flexión o el movimiento del bastidor del ventilador durante su funcionamiento. El bastidor del ventilador se debe apoyar de forma uniforme en todos los lados del armazón y se debe tener cuidado de evitar girar el bastidor del ventilador durante la instalación.

NOTA: Si se permite que el bastidor del ventilador se flexione o mueva durante el funcionamiento, se crearán vibraciones dañinas que pueden dañar la unidad.

- Los ventiladores se deben montar en aberturas con una holgura de 6,4 mm (1/4 pulg.) alrededor del perímetro. El bastidor se debe fijar a la estructura del edificio con sujetadores resistentes a la corrosión, proporcionados por terceros. Éstos se deben usar en todos los orificios de montaje preperforados en el panel del ventilador.
- Instale los componentes restantes (persiana, protector de entrada, etc.).
- Compruebe que todos los sujetadores y tornillos de fijación estén apretados. Esto es especialmente importante para los tornillos de fijación del rodamiento.

E
S
P
A
Ñ
O
L

Ventiladores Aspirantes de Transmisión por Correa para Servicio Pesado Dayton®

Instalación (Continuación)

12. Se debe comprobar la dirección de giro de la hélice encendiendo momentáneamente la unidad. El giro se debe realizar en la misma dirección que indica la calcomanía de giro puesta en la unidad o según se muestra en la Figura 6. Para las instalaciones trifásicas, el giro del ventilador se puede invertir intercambiando dos de los tres conductores eléctricos. Para las instalaciones monofásicas, siga el diagrama de cableado que se encuentra en el motor o consulte la Figura 11.

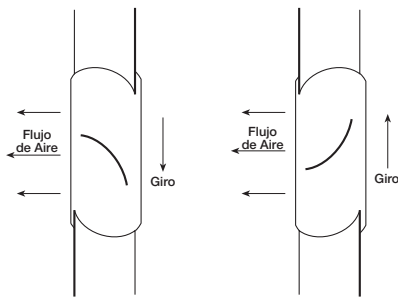


Figura 6 — Calcomanía de Giro

MONTAJE DEL MOTOR Y DE LA POLEA

PRECAUCIÓN Nunca ajuste el paso de las paletas de la hélice en terreno. Sólo los fabricantes deben cambiar el paso de las paletas.

NOTA: Para las unidades que aparezcan en la lista de UL/cUL, el motor que se use con este ventilador se deberá designar como tal por Dayton.

1. Fije el motor a la placa con la ayuda de las piezas metálicas que se proporcionan. Los orificios se alinearán cuando el bastidor del motor (extremo del eje) esté a nivel con el borde de la placa del motor. Las piezas para el montaje del motor se incluyen en el kit de piezas adosado al marco del impulsor. Consulte la Figura 7 para conocer la posición de montaje según el tamaño del bastidor del motor. Consulte la página 6 para conocer el contenido del juego.

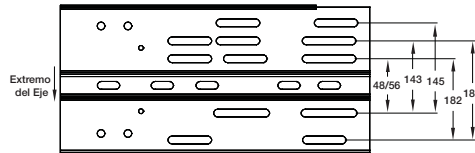


Figura 7 — Posiciones de Montaje del Motor según el Tamaño del Bastidor del Motor

2. Monte las poleas en los ejes y fijelas con el tornillo de fijación. Verifique la correcta alineación de las poleas. Las poleas mal alineadas provocan un desgaste excesivo de la correa, vibraciones y ruidos.

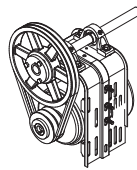


Figura 8 — Paquete de Accionamiento para Hélices de 61,0 a 91,4 cm (24 a 36 pulg.) de Diámetro

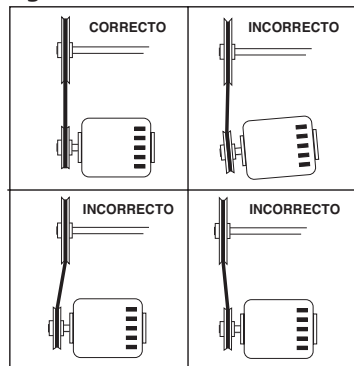


Figura 9 — Alineación de las poleas

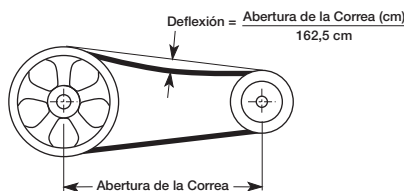


Figura 10 — Tensión de la Correa

3. Instale la correa y ajuste la tensión dejando 0,4 mm de desviación por

2,54 cm de distancia cuando aplique la presión del dedo pulgar a la correa. Demasiada tensión provocará un desgaste excesivo de los rodamientos y ruido. Una tensión muy leve provocará deslizamiento en el arranque y un desgaste irregular.

4. Ajuste las RPM en el nivel que desee utilizando una polea de paso variable. Después del ajuste, se debe verificar el amperaje del motor para evitar su sobrecarga.

CONEXIÓN ELÉCTRICA

PRECAUCIÓN El motor y el ventilador deben estar conectados a tierra de manera segura (en metal desnudo) en una conexión eléctrica a tierra adecuada, como una tubería de agua subterránea o un sistema de cable de conexión a tierra.

ADVERTENCIA Para reducir el riesgo de descarga eléctrica, no lo conecte a un circuito que funcione a más de 150 V a tierra.

NOTA: Para las unidades que aparezcan en la lista de UL/cUL, el motor que se use con este ventilador se deberá designar como tal por Dayton.

1. Asegurarse de que el motor que esté conectando haya sido aprobado según las normas UL/cUL para esta unidad. Esta etiqueta se puede encontrar en la unidad.
2. Conecte el motor en el voltaje que desee según el diagrama de cableado que se encuentra en el motor o consulte la Figura 11 para conocer el diagrama de cableado de conexiones.

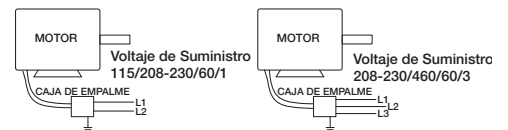


Figura 11 — Diagrama de Cableado Típico

3. Conecte los interruptores de control al nivel del suelo.
4. Antes de activar el ventilador, inspeccione para asegurarse de que no existan obstrucciones ni suciedad que pudiese interferir con la hélice.

Modelos 28A815 a 28A817

Funcionamiento

1. Antes de arrancar u operar el nuevo ventilador Dayton, compruebe que estén apretados todos los sujetadores. En particular, revise los tornillos de fijación del rodamiento en el cubo de la hélice (y roldanas, si corresponde). Mientras se encuentre en la posición OFF (Apagado) o antes de conectar el ventilador a la energía, gire la hélice del ventilador con la mano para asegurarse de que no entre en contacto con el orificio o con cualquier obstáculo.
 2. Encienda el ventilador y apáguelo inmediatamente para revisar el giro de la hélice con la flecha direccional en el compartimiento del motor. Consulte la Figura 6.
 3. Al arrancar el ventilador, observe el funcionamiento y la presencia de cualquier ruido anormal.
 4. Ajuste las RPM en el nivel que desee utilizando una polea de paso variable.
 5. Se debe verificar el amperaje del motor para evitar sobrecargarlo. Con el sistema a pleno funcionamiento, mida la entrada de corriente hacia el motor y compárela con la de la placa de identificación para determinar si el BHP funciona en condiciones de carga seguras. Consulte el rendimiento de la página 2.
- IMPORTANTE:** Ajuste (apriete) la tensión de la correa después de las primeras 24 horas de funcionamiento.
6. Mantenga las entradas y las vías de acceso al ventilador limpias y libres de obstrucciones.

Mantenimiento

⚠ ADVERTENCIA *Desconecte y bloquee la fuente de energía antes de realizar mantenimiento.*

⚠ PRECAUCIÓN *La limpieza desigual de la hélice producirá una condición fuera de equilibrio que provocará vibraciones en el ventilador.*

1. Dependiendo del uso y la densidad del aire contaminado, se debe establecer un programa de inspección regular para limpiar la hélice del ventilador, la carcasa y las áreas circundantes.
2. Cuando esté funcionando el ventilador, revise si existen ruidos anormales.
3. Inspeccione de manera periódica y apriete los tornillos de fijación.
4. Revise de manera periódica el desgaste y el apriete de las correas.

NOTA: Al reemplazar las correas, use unas del mismo tipo de las que se proporcionan con la unidad.

NOTA: Para el cambio de la correa, suelte las piezas metálicas de montaje del motor para permitir el retiro manual de la correa.

⚠ ADVERTENCIA *No fuerce las correas para colocarlas o sacarlas. Ello puede causar que los cables se rompan, lo que lleva a una falla prematura de la correa.*

5. Todos los rodamientos del ventilador están lubricados previamente. Los rodamientos de chumacera sellados no requieren lubricación adicional.
6. Siga las instrucciones del fabricante del motor en cuanto a su lubricación.
7. Para el desmontaje, consulte la ilustración de las partes.
8. Para aplicaciones críticas, debe tener un motor y correas de repuesto disponibles.

FRECUENCIA RECOMENDADA DE LUBRICACIÓN EN MESES

Velocidad de Funcionamiento (RPM)	Diám. Interior en Pulgadas 1/2 a 1 1/2
Hasta 500	6
500 a 1000	6
1000 a 1500	5

NOTA: Si existen condiciones ambientales inusuales, como alta temperatura, humedad o contaminantes, se recomienda una lubricación más frecuente.

Se puede usar cualquier grasa a base de litio de buena calidad en conformidad con la consistencia grado 2 de NLGI, como las que aparecen en la presente lista.

Mobil 532	Texaco Multifak N° 2
Mobilux N° 2	Texaco Premium RB
B Shell Alvania N° 2	Unirex N2

Para Obtener Repuestos, visita Grainger.com[®]

Por favor proporcione la siguiente información:

- Número de modelo
- Número de serie (si lo hay)
- Descripción de la parte y número que le corresponde en la liste de partes

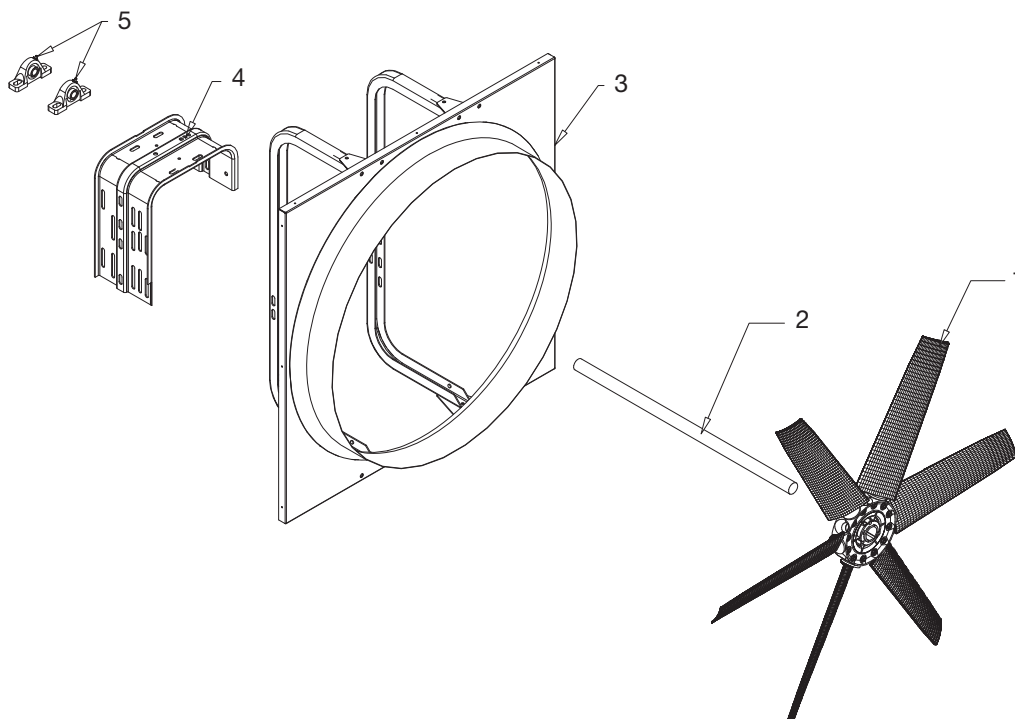


Figura 12 — Ilustración de Repuestos para Ventiladores de Suministro de Transmisión por Correa para Servicio Pesado

Lista de Repuestos para Ventiladores Aspirantes de Transmisión por Correa para Servicio Pesado (Consulte la Figura 12)

Número de Referencia	Descripción	Número de Parte para Modelos:			Cant.
		28A815	28A816	28A817	
1	Hélice	50K377	50K378	50K379	1
2	Eje	50K395	50K396	50K397	1
3	Conjunto de Panel del Ventilador y Bastidor Motorizado	50K341	50K344	50K347	1
4	Placa de Presión del Motor	50K366	50K367	50K369	1
5	Rodamientos	4XW60	4XW61	4XW63	2
(*)	(‡) Juego de Piezas Metálicas	50K357	50K357	50K357	1

(*) No se muestra.

(‡) Incluye (4) Tuerca Spin-Lock de 3/8-16, (4) Tuerca Spin-Lock de 5/16-18, (4) Perno Spin-Lock de 3/8-16 x 3/4, (4) Perno Spin-Lock de 5/16-18 x 3/4, (4) Arandela Plana Rectangular 5/16, (4) Arandela Plana 3/8, (1) Eje de Chaveta de 3/16 x 3/16 x 1½ (1) Eje de Chaveta de 1/4 x 1/4 x 1½, (1) Eje de Chaveta 3/8 x 3/8 x 2

Modelos 28A815 a 28A817

Tabla de Solución de Problemas

Síntoma	Causas Posibles	Medidas Correctivas
No funciona el ventilador	<ol style="list-style-type: none"> 1. Se quemó un fusible o cortacircuitos 2. Motor defectuoso 3. Se conectó incorrectamente 4. Correas rotas 5. Poleas sueltas 6. Se cortó la electricidad 	<ol style="list-style-type: none"> 1. Reemplácelo o repárelo 2. Reemplácelo o repárelo 3. CORTE la energía y revise que el cableado esté conectado correctamente 4. Reemplace las correas 5. Revise la alineación y apriete 6. Comuníquese con la compañía local de electricidad
El flujo de aire es insuficiente	<ol style="list-style-type: none"> 1. El amortiguador (persiana) está atascado 2. Velocidad demasiado baja 3. Deslizamiento de la correa 	<ol style="list-style-type: none"> 1. Revise/repáre el amortiguador 2. Compruebe la combinación correcta de la transmisión 3. Cambie/ajuste la tensión y ajuste la correa en la polea
El flujo de aire está invertido Flujo de aire es demasiado	<p>El giro de la hélice está invertido</p> <p>La presión estática es insuficiente</p>	<p>Invierta el giro del motor y vuelva a conectar el motor</p> <p>Compruebe el cálculo de la presión estática, ajuste las poleas de paso variable en más giros abiertos</p>
Ruido o vibración excesiva	<ol style="list-style-type: none"> 1. Rodamientos sueltos o defectuosos 2. Materiales extraños dentro del rodamiento 3. La polea no está apretada en el eje (motor o ventilador) 4. La hélice está suelta 5. Las correas están demasiado sueltas/tensas 6. Las correas están desgastadas, aceitosas o sucias 7. Las poleas están mal alineadas 8. La hélice está torcida o dañada 9. El ventilador no anclado con firmeza 10. El eje del ventilador está doblado 11. Hélice del ventilador fuera de equilibrio 	<ol style="list-style-type: none"> 1. Apriete o reemplace los rodamientos 2. Reemplace el rodamiento 3. Compruebe la alineación y apriete los tornillos de fijación o tornillos del buje 4. Apriete los tornillos de fijación o los tornillos de los bujes cónicos 5. Ajuste la tensión 6. Limpie o cambie las correas 7. Vuelva a alinear las poleas 8. Reemplace la hélice 9. Fíjelo bien 10. Reemplace el eje y la hélice 11. Reemplace la hélice
Sobre carga o sobre calentamiento del motor	<ol style="list-style-type: none"> 1. RPM de la hélice muy altas 2. Bobinado del motor cortocircuitado 3. Giro incorrecto de la hélice 4. Voltaje de línea excesivo o deficiente 5. Deslizamiento de la correa 	<ol style="list-style-type: none"> 1. Revise la transmisión, aumente los giros abiertos en la polea de paso variable 2. Reemplace el motor 3. Revise el cableado del motor 4. Comuníquese con la compañía local de electricidad 5. Apriete la correa, ajuste la correa en la polea

Ventiladores Aspirantes de Transmisión por Correa para Servicio Pesado Dayton®

GARANTÍA LIMITADA

GARANTÍA LIMITADA DE UN AÑO DAYTON. VENTILADORES ASPIRANTES DE TRANSMISIÓN POR CORREA PARA SERVICIO PESADO DAYTON®, LOS MODELOS INCLUIDOS EN ESTE MANUAL, TIENEN GARANTÍA DE DAYTON ELECTRIC MFG. CO. (DAYTON) POR DEFECTOS DE FABRICACIÓN O MATERIALES DURANTE SU USO NORMAL DURANTE UN AÑO A PARTIR DE LA FECHA DE COMPRA. TODA PIEZA QUE SE DEMUESTRE QUE TENGA DEFECTOS DE MATERIAL O DE MANO DE OBRA Y SE DEVUELVA A UN LUGAR DE SERVICIO TÉCNICO AUTORIZADO, DESIGNADO POR DAYTON, COSTOS DE TRANSPORTE PREPAGADOS, SERÁ COMO RECURSO EXCLUSIVO, REPARADA O REEMPLAZADA SEGÚN EL CRITERIO DE DAYTON. POR DEMANDA DE GARANTÍA LIMITADA, VER "DISPOSICIÓN INMEDIATA" A CONTINUACIÓN. ESTA GARANTÍA LIMITADA LE DA AL COMPRADOR DERECHOS LEGALES ESPECÍFICOS QUE VARIAN DE UNA JURISDICCIÓN A OTRA.

RESTRICCIÓN DE RESPONSABILIDAD. HASTA DONDE LO PERMITA LA LEGISLACIÓN PERTINENTE, DAYTON NIEGA EXPRESAMENTE SU RESPONSABILIDAD EN DAÑOS DE INDIRECTOS O EMERGENTES. LA RESPONSABILIDAD DE DAYTON EN TODOS LOS CASOS SE LIMITA AL PRECIO DE COMPRA Y NO DEBE EXCEDER ÉSTE.

DENEGACIÓN DE GARANTÍA. SE HA HECHO UN GRAN ESFUERZO POR PROPORCIONAR INFORMACIÓN SOBRE EL PRODUCTO E ILUSTRAR LOS PRODUCTOS DE MANERA PRECISA EN ESTE DOCUMENTO; SIN EMBARGO, TAL INFORMACIÓN E ILUSTRACIONES TIENEN EL ÚNICO PROPÓSITO DE IDENTIFICACIÓN, Y NO EXPRESA NI IMPLICA UNA GARANTÍA DE QUE LOS PRODUCTOS SEAN DE BUENA CALIDAD, O QUE SE ADAPTEN A UN PROPÓSITO EN ESPECIAL, NI QUE LOS PRODUCTOS ESTÉN NECESARIAMENTE DE ACUERDO CON LAS ILUSTRACIONES O DESCRIPCIONES. CON EXCEPCIÓN DE LO QUE SE DETALLA A CONTINUACIÓN, NINGUNA GARANTÍA NI AFIRMACIÓN DE HECHO, EXPRESA O IMPLÍCITA, APARTE DE LO QUE SE INCLUYE EN LA "GARANTÍA LIMITADA" ESTÁ HECHA O AUTORIZADA POR DAYTON.

Asesoría Técnica y Recomendaciones, Exención de Responsabilidad. No obstante las prácticas, tratos o costumbre del oficio anteriores, las ventas no incluirán asesoría o asistencia técnica, o el diseño del sistema. Dayton no asume obligaciones ni responsabilidades debido a recomendaciones, opiniones o asesorías no autorizadas en cuanto a la elección, la instalación o el uso de productos.

Aptitud del Producto. Muchas jurisdicciones tienen códigos y ordenanzas que regulan las ventas, la construcción, la instalación, y/o el uso de productos para ciertos propósitos, que pueden variar con respecto a los de las áreas vecinas. Si bien se hacen intentos para garantizar que los productos Dayton cumplan tales códigos, Dayton no garantiza su cumplimiento y no puede ser responsable por la manera en que se instalen o usen los productos. Antes de la compra y del uso de un producto, revise sus aplicaciones y todos los códigos, y reglamentos nacionales y locales pertinentes, y asegúrese de que el producto, su instalación y su uso estén en conformidad con ellos.

Ciertos aspectos de la denegación no se aplican a productos del consumidor; por ej., (a) algunas jurisdicciones no permiten la exclusión o la limitación de daños accidentales o resultantes, por lo que la limitación o exclusión mencionadas anteriormente, pueden no aplicarse a usted; (b) además, algunas jurisdicciones no permiten una limitación sobre la duración de una garantía implícita, en consecuencia, la limitación mencionada anteriormente puede no aplicarse a usted; y (c) por ley, durante el período de esta Garantía Limitada, cualquier garantía implícita de comerciabilidad o aptitud para un propósito en particular que se aplique a productos del consumidor adquiridos por consumidores, no puede ser excluida ni rechazada.

Disposición Inmediata. Se realizará un esfuerzo de buena fe para corregir o realizar otros ajustes de manera oportuna con respecto a cualquier producto que se demuestra que tenga defectos dentro de la garantía limitada. En caso de existir un producto con fallas dentro de la garantía limitada, escriba o llame al distribuidor a quien le compró el producto. Éste le indicará qué hacer. Si el problema no se resuelve de manera satisfactoria, escriba a Dayton a la dirección que figura a continuación, indicando nombre del distribuidor, dirección, fecha y número de la factura del distribuidor, y describa la naturaleza de la falla. Título y riesgo de pérdida pasan al comprador en la entrega a la compañía de transporte. Si el producto se dañó durante el transporte, presente el reclamo al transporte.

Fabricado por Dayton Electric Mfg. Co., 100 Grainger Parkway, Lake Forest, IL 60045-5201 EE.UU.

Veillez lire et conserver ces instructions. Lire attentivement avant de commencer à assembler, installer, faire fonctionner ou entretenir l'appareil décrit. Protégez-vous et les autres en observant toutes les informations sur la sécurité. Négliger d'appliquer ces instructions peut résulter en des blessures corporelles et/ou en des dommages matériels ! Conserver ces instructions pour références ultérieures.

Ventilateurs d'extraction de forte charge à courroie de Dayton®

Description

Les ventilateurs d'extraction Dayton sont conçus pour les applications commerciales et industrielles nécessitant de grands volumes d'air sous une moyenne pression statique. Ils comprennent des profilés d'armature de moteur, une platine d'appui et un platine moteur en métal épais. Ils comportent une hélice à six pales robustes en fonte d'aluminium. Les roulements à billes forte charge sont équipés de paliers en fonte regraissables et classés L10 – 100 000 heures. Poser en position verticale pour les applications d'extraction. Tous les ventilateurs d'extraction sont homologués UL/cUL norme 705.

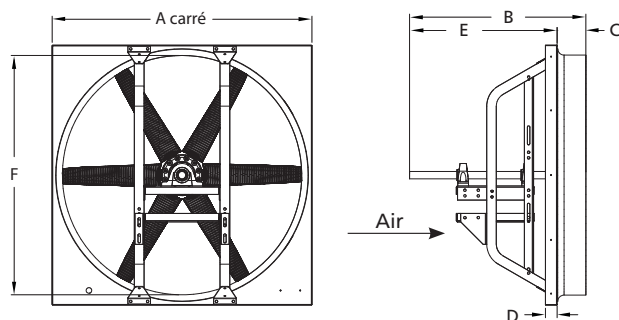


Figure 1 — Dimensions extraction

Accessoires en option

Description	Général ou UL 705	N° de modèle
-------------	-------------------	--------------

Sectionneur NEMA 1 :

- 1H400 (bipolaire, 115/230V, 2 HP maxi)
- 1H401 (tripolaire, 230 V, 7½ HP maxi)
- 1H401 (tripolaire, 460 V, 10 HP maxi)

Sectionneur NEMA 4 :

- 1H408 (bipolaire, 115/230 V, 2 HP maxi)
- 1H409 (tripolaire, 230 V, 7½ HP maxi)
- 1H409 (tripolaire, 460 V, 10 HP maxi)



Dayton Electric Mfg. Co. certifie que les ventilateurs décrits aux présentes sont autorisés à porter le sceau de l'AMCA. Les caractéristiques indiquées ici reposent sur des essais et procédures effectués conformément à la Publication 211 et à la Publication 311 de l'AMCA et répondent aux exigences du programme de certification des caractéristiques de l'AMCA.

Accessoires en option (suite)

Modèle	Dia. pales	CFM à 0.000" SP	N° persiennes murales galvanisées	N° persiennes murales aluminium	N° persiennes murales fibre verre	N° moteur persiennes	N° caisson mural	N° grille	N° manchon mural	N° coiffe de protection
28A815	61,0 cm	Tous	1C746	3C308	5C215	2C831	3FKF8	1WBU3	1WBV1	1WBV9
28A816	76,2	< 13,630	1C055	3C309	5C216	2C831	3FKF9	1WBU4	1WBV2	1WBW1
		> 13,630	—	4FZH8	—					
28A817	91,4	< 18,590	4C521	3C310	5C217	2C831	3FKG1	1WBU5	1WBV3	1WBW2
		18,590-22,300	—	4FZH9	—					
		> 22,300	3C729	3C131	—					

Dimensions et caractéristiques (voir Figure 1)

Modèle	Dia. pales	Dia. arbre	A	B	C	D	E	F
28A815	61,0 cm	1,9 cm	71,1 cm	45,7 cm	11,1 cm	3,2 cm	34,7 cm	61,9
28A816	76,2	2,5	86,4	50,8	13,3	3,2	37,5	77,2
28A817	91,4	3,2	101,6	55,9	15,2	2,5	40,6	92,4

Ventilateurs d'extraction de forte charge à courroie Dayton®

Performances

Modèle	Dia. pales	HP	Hélice tr/min	BHP maxi	Sones à 0,2500" SP à 5 pi	Débit d'air (pi ³ /min) à la pression statique indiquée						
						0,000"	0,125"	0,250"	0,375"	0,500"	0,625"	0,750"
28A815	61,0 cm	1/3	814	0,38	14,2	5608	4889	3679	—	—	—	—
		1/2	939	0,58	17,7	6469	5867	4987	3648	1158	—	—
		3/4	1068	0,86	21,0	7357	6847	6194	5282	2339	1469	—
		1	1178	1,15	24,0	8115	7669	7127	6375	5503	2475	1686
28A816	76,2	1/2	687	0,58	16,3	9474	7888	—	—	—	—	—
		3/4	783	0,86	19,7	10.798	9474	7730	—	—	—	—
		1	863	1,15	23,0	11.901	10.739	9276	—	—	—	—
		1½	989	1,73	27,0	13.639	12.646	11.452	10.112	—	—	—
		2	1087	2,30	31,0	14.990	14.090	13.072	11.885	10.489	—	—
		3	1245	3,45	39,0	17.169	16.387	15.570	14.596	13.547	12.372	10.720
28A817	91,4 cm	3/4	620	0,86	20	14.345	11.967	—	—	—	—	—
		1	683	1,15	23	15.803	13.762	—	—	—	—	—
		1½	783	1,73	28	18.117	16.453	14.122	—	—	—	—
		2	861	2,30	31	19.922	18.434	16.458	13.986	—	—	—
		3	985	3,45	38	22.791	21.529	19.987	18.080	—	—	—
5	1166	5,75	50	26.979	25.947	24.763	23.368	21.737	20.121	—		

Valeurs certifiées pour une installation de type A : admission libre, refoulement libre. La valeur de puissance (BHP) ne comprend pas les pertes de transmission. Les valeurs indiquées ne tiennent pas compte des effets des équipements connexes (accessoires). Les données acoustiques indiquées sont des valeurs de sonie exprimées en sones ventilateur à 1,5 m (5 pieds) en champ libre hémisphérique calculés selon la norme AMCA 301. Valeurs indiquées pour une installation de type A : niveaux de sonie hémisphérique à l'admission libre.

Déballage

- Vérifier l'absence de tout dommage éventuellement causé par le transport.
- Les réclamations pour dommages dus au transport sont à adresser au transporteur.
- Trouver la trousse de visserie attachée au bâti du moteur. Voir le contenu à la page 8.
- Vérifier que les boulons, vis, vis de calage, etc. ne se sont pas desserrés durant le transport. Resserrer le cas échéant. Actionner l'hélice à la main pour s'assurer qu'elle tourne librement.

Informations générales sur la sécurité

⚠ DANGER Ne pas dépendre d'un interrupteur comme unique moyen de coupure de l'alimentation lors de l'installation ou de l'entretien de l'appareil. Pour écarter les risques d'incendie, de choc électrique ou de blessure grave, veiller à toujours

débrancher, verrouiller et étiqueter la source de courant avant l'installation ou l'entretien. Le moteur redémarre sans avertir après déclenchement de la protection thermique. Ne pas toucher le moteur en marche, il peut être assez chaud pour causer des lésions.

⚠ DANGER Ne pas placer de parties du corps ni d'objets dans les ouvertures du ventilateur, du moteur ou de l'entraînement si l'appareil est raccordé à une source de courant.

⚠ AVERTISSEMENT Ne pas utiliser ce matériel dans des atmosphères explosives !

- Lire et respecter toutes les instructions et marques de mise en garde. S'assurer que la source d'alimentation est conforme aux exigences pour le matériel et à la réglementation en vigueur.

- Les ventilateurs doivent être assemblés, posés et entretenus par un technicien qualifié. Confier tous les travaux d'électricité à un électricien qualifié.
- Respecter tous les codes d'électricité et de sécurité en vigueur aux États-Unis et au Canada, ainsi que le National Electrical Code (NEC) et l'Occupational Safety and Health Act (OSHA) aux États-Unis. Mettre le moteur à la terre conformément à l'Article 250 (mise à la terre) du NEC. Au Canada, respecter le Code canadien de l'électricité.

⚠ ATTENTION Pour réduire le risque de blessure corporelle, respecter ce qui suit :
L'OSHA exige des protections agréées OSHA lorsque l'appareil est posé à moins de 2,1 mètres (7 pieds) du niveau du sol ou de travail.

Les normes UL/CUL exigent des protections agréées OSHA lorsque l'appareil est posé à moins de 2,4 m (8 pieds) du niveau du sol ou de travail.

Modèles 28A815 à 28A817

- Ne pas plier le câble d'alimentation ni le laisser venir au contact d'objets coupants, d'huile, de graisse, de surfaces chaudes ou de produits chimiques. Changer immédiatement tout cordon endommagé.
- S'assurer que la source d'alimentation est conforme aux exigences pour le matériel.
- Le moteur doit être correctement et solidement relié à la terre. Pour cela, le raccorder à un chemin de câble à revêtement métallique relié à la terre au moyen d'un fil de terre séparé raccordé au métal nu de la carcasse du moteur, ou autre moyen adapté.

Pose

AVERTISSEMENT La pose, le dépannage et le remplacement de pièces doivent être effectués exclusivement par du personnel qualifié.

REMARQUE : Voir le câblage sur la plaque signalétique du moteur. Se reporter aux procédures de pose et de câblage du fabricant de commutateur.

POSE MURALE

- Amener le ventilateur à l'emplacement souhaité et déterminer par quelle méthode il doit être posé comme indiqué sur les Figures 2, 3, 4 et 5. Le manchon mural en option (Figure 3), le manchon mural et la grille (Figure 4) ou le caisson mural (Figure 5) constituent des moyens pratiques de pose murale des ventilateurs.
- La taille de l'ouverture murale et la distance hélice-persiennes sont deux dimensions importantes pour la pose du ventilateur. Les ventilateurs posés sur le mur nécessitent une ouverture de taille différente que ceux posés dans des manchons ou caissons. Voir les tailles d'ouverture murale à l'étape 7.
- La Figure 2 montre l'ouverture murale conseillée pour les poses murales directes.

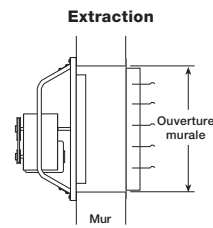


Figure 2 — Pose murale directe

- La Figure 3 montre l'ouverture murale requise pour les poses avec un manchon mural.

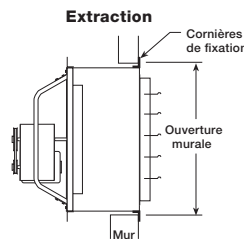


Figure 3 — Pose avec manchon mural

- La Figure 4 montre l'ouverture murale requise pour les poses avec un manchon mural et une grille.

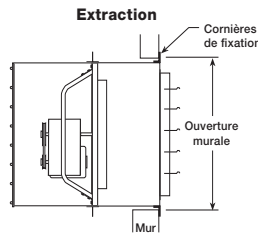


Figure 4 — Pose avec manchon mural et grille

- La Figure 5 montre l'ouverture murale requise pour les poses avec un caisson mural.

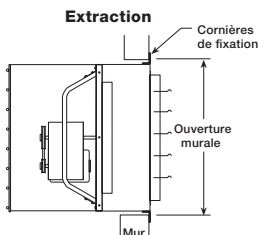


Figure 5 — Pose avec caisson mural

- Découper une ouverture de dimension appropriée conformément à la table ci-dessous.

Modèle	Dia. pales	Pose sur ouverture murale	
		Direct sur mur	Manchon mural (MM), MM et grille ou caisson mural
28A815	61,0 cm	67,3 x 67,3 cm	75,2 x 75,2 cm
28A816	76,2	82,6 x 82,6	90,5 x 90,5
28A817	91,4	97,8 x 97,8	105,7 x 105,7

- Le ventilateur doit être solidement fixé à l'intérieur d'une ossature pour éviter tout mouvement ou flexion du cadre de ventilateur durant la marche. Le cadre de ventilateur doit être soutenu de façon uniforme sur tous les côtés à l'intérieur de l'ossature. Par ailleurs, prendre garde à éviter toute torsion du cadre de ventilateur durant la pose.

REMARQUE : La flexion ou le déplacement du cadre de ventilateur durant la marche produit des vibrations dommageables pour l'appareil.

- Le ventilateur doit être posé dans l'ouverture avec un espacement de 6,4 mm (1/4 po) sur le périmètre. L'encadrement doit être fixé à la structure du bâtiment à l'aide de vis anti-corrosion, non fournies. Les vis doivent être posées à travers tous les trous de fixation prépointonnés dans le panneau de ventilateur.
- Poser le reste des éléments (persiennes, grille d'admission, etc.).
- Vérifier le bon serrage de toute la visserie. Ceci est particulièrement important pour les vis de calage de palier.

Ventilateurs d'extraction de forte charge à courroie Dayton®

Pose (suite)

12. Vérifier le sens de rotation de l'hélice en mettant brièvement l'appareil en marche. Le sens de rotation doit être celui indiqué sur l'autocollant apposé sur l'appareil ou sur la Figure 6. Sur les installations triphasées, le sens de rotation peut être inversé par l'inversion de deux quelconques des trois fils électriques. Pour les installations monophasées, suivre le schéma de câblage figurant sur le moteur ou voir Figure 11.

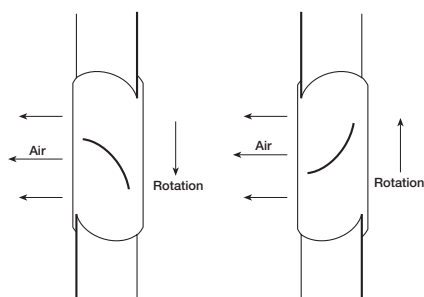


Figure 6 — Sens de rotation

POSE DU MOTEUR ET DES POULIES

ATTENTION Ne jamais ajuster le pas des pales d'hélice sur le terrain. Le pas ne peut être modifié que par le fabricant.

REMARQUE : Pour les appareils homologués UL/cUL, le moteur utilisé doit être désigné comme tel par Dayton.

1. Fixer le moteur sur la platine avec la visserie fournie. Les trous s'alignent lorsque la carcasse du moteur (côté arbre) est au ras du rebord de la platine. La visserie de fixation du moteur est fournie dans la trousse de visserie attachée au bâti du moteur. Voir la position de fixation suivant la taille du bâti de moteur à la Figure 7. Voir le contenu de la trousse à la page 6.

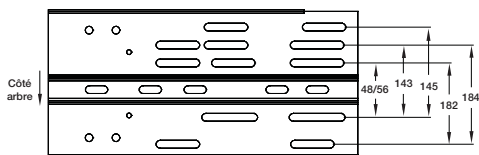


Figure 7 — Positions de fixation du moteur suivant la taille du bâti

2. Poser les poulies sur les arbres et fixer avec une vis de calage. Contrôler le bon alignement des poulies. Le mauvais alignement des poulies provoque l'usure de la courroie, des vibrations et du bruit.

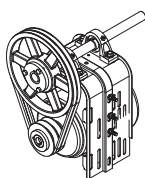


Figure 8 — Transmission pour les hélices de 61,0 à 91,4 cm (24 à 36 pouces) de diamètre

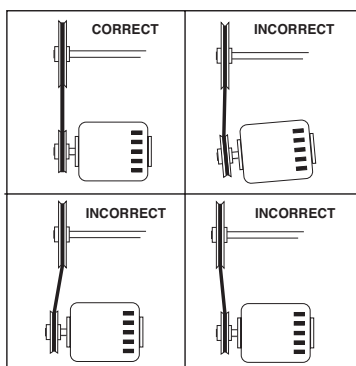


Figure 9 — Alignement des poulies

3. Poser la courroie et régler la tension de manière permettre un fléchissement de 0,4 mm par 2,54 cm de portée lorsqu'une pression modérée du pouce est exercée sur la courroie. Une tension excessive provoque une usure prématurée des roulements et du bruit. Une tension insuffisante produit un patinage au démarrage et une usure irrégulière.

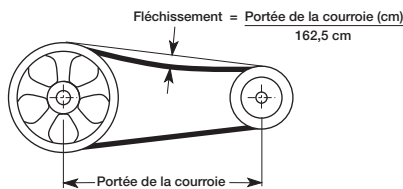


Figure 10 — Tension de la courroie

4. Ajuster la vitesse de rotation à l'aide d'une poulie à pas variable. Après ce réglage, vérifier l'intensité consommée par le moteur pour éviter sa surcharge.

RACCORDEMENT ÉLECTRIQUE

ATTENTION Le moteur et le ventilateur doivent être solidement reliés à la terre (métal nu) via une masse électrique adaptée, telle qu'une conduite d'eau reliée à la terre ou un circuit de terre.

AVERTISSEMENT Pour réduire le risque de choc électrique — ne pas raccorder à un circuit fonctionnant à plus de 150 V par rapport à la terre.

REMARQUE : Pour les appareils homologués UL/cUL, le moteur utilisé doit être désigné comme tel par Dayton.

1. Vérifier le moteur utilisé a été homologué UL/cUL pour cet appareil. Cette étiquette se trouve sur l'appareil.
2. Câbler le moteur pour la tension souhaitée conformément au schéma de câblage figurant sur le moteur ou au schéma de câblage à la Figure 11.

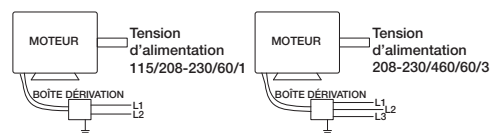


Figure 11 — Schéma de câblage typique

3. Câbler les commutateurs de commande au niveau du sol.
4. Avant d'activer le ventilateur, vérifier qu'il n'y a aucune obstruction ni débris susceptibles d'entraver l'hélice.

FRANÇAIS

Modèles 28A815 à 28A817

Fonctionnement

1. Avant de démarrer et d'utiliser le nouveau ventilateur Dayton, vérifier le bon serrage de toute la visserie. En particulier, contrôler les vis de calage des paliers dans le moyeu d'hélice (et des poulies, le cas échéant). En position ARRÊT, ou avant de brancher l'alimentation de l'appareil, tourner l'hélice à la main pour s'assurer qu'elle ne heurte aucun orifice ou obstruction.
2. Démarrer le caisson et l'arrêter immédiatement pour vérifier que le sens de rotation de l'hélice correspond à la flèche dans le compartiment du moteur. Voir la Figure 6.
3. Lorsque le ventilateur est en marche, observer son fonctionnement et vérifier l'absence de bruits inhabituels.
4. Ajuster la vitesse de rotation à l'aide d'une poulie à pas variable.
5. Vérifier l'intensité consommée par le moteur pour éviter sa surcharge. Le système étant pleinement en marche, mesurer l'intensité de courant vers le moteur et la comparer à l'intensité nominale figurant sur la plaque signalétique pour vérifier s'il fonctionne dans des conditions de charge admissibles. Voir les performances aux page 2.

IMPORTANT : Ajuster (tendre) la courroie au bout des premières 24 heures de marche.

6. Garder les ouvertures d'admission et les approches du ventilateur propres et non obstruées.

Entretien

▲ AVERTISSEMENT *Couper et verrouiller la source d'alimentation avant l'entretien.*

▲ ATTENTION *Un nettoyage irrégulier de l'hélice produit un déséquilibre qui provoque des vibrations du ventilateur.*

1. En fonction de l'utilisation et du degré de saleté de l'air, il convient d'établir un calendrier de contrôle régulier pour le nettoyage de l'hélice, du carter et des surfaces avoisinantes.
2. Vérifier l'absence de bruits inhabituels durant la marche du ventilateur.
3. Contrôler régulièrement et resserrer toute la visserie.
4. Contrôler régulièrement l'état d'usure et la tension de la courroie.

REMARQUE : Lors du changement de courroie, toujours utiliser le même type que celui fourni avec l'appareil.

REMARQUE : Pour changer la courroie, desserrer la visserie de fixation du moteur pour permettre la dépose de la courroie à la main.

▲ AVERTISSEMENT *Ne pas forcer sur la courroie pour la poser ou la déposer. Ceci peut causer des ruptures d'armature et une défaillance prématurée de la courroie.*

5. Tous les paliers du ventilateur sont prélubrifiés. Les paliers étanches ne nécessitent aucun graissage supplémentaire.
6. Suivre les instructions du fabricant du moteur concernant sa lubrification.
7. Pour le démontage, consulter l'illustration des pièces.
8. Pour les applications critiques, avoir un moteur et des courroies de rechange à disposition.

FRÉQUENCE DE GRAISSAGE CONSEILLÉE EN MOIS

Vitesse d'exploitation (tr/min)	Alésage en pouces 1/2 à 1 1/2
Jusqu'à 500	6
500 à 1000	6
1000 à 1500	5

REMARQUE : En présence de conditions ambiantes inhabituelles - haute température, humidité ou contaminants - un graissage plus fréquent est conseillé.

Utiliser toute graisse à base de lithium de bonne qualité de consistance conforme à NLGI Grade 2, telle que celles indiquées ici.

Mobil 532	Texaco Multifak #2
Mobilux #2	Texaco Premium RB
B Shell Alvania #2	Unirex N2

Pour les pièces de rechange, visite Grainger.com®

Veillez fournir les renseignements suivants :

- Numéro de modèle
- Numéro de série (le cas échéant)
- Description et numéro de pièce indiqués sur la nomenclature des pièces

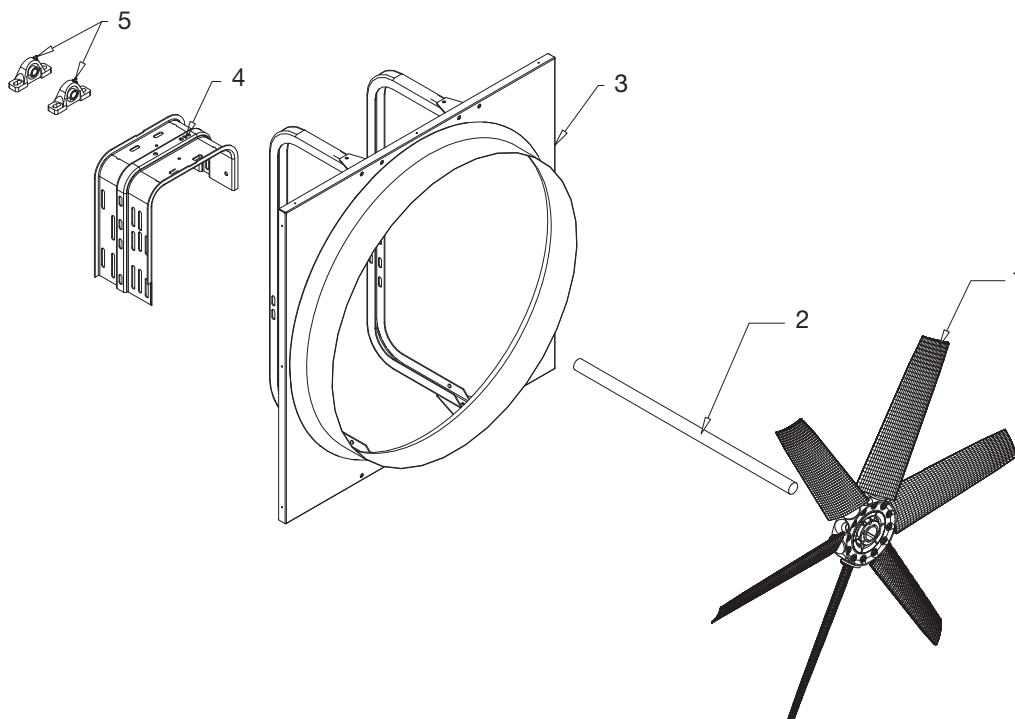


Figure 12 — Pièces de rechange pour ventilateurs d'extraction à courroie de forte charge

Nomenclature des pièces de rechange pour ventilateurs d'extraction à courroie de forte charge (voir Figure 12)

Numéro de référence	Description	Numéro de pièce pour le modèle :			Qté
		28A815	28A816	28A817	
1	Hélice	50K377	50K378	50K379	1
2	Arbre	50K395	50K396	50K397	1
3	Panneau de ventilateur et bâti moteur	50K341	50K344	50K347	1
4	Platine moteur	50K366	50K367	50K369	1
5	Paliers	4XW60	4XW61	4XW63	2
(*)	(‡) Visserie	50K357	50K357	50K357	1

(*) Non représenté.

(‡) Comprend une (4) Écrou-frein 3/8-16, (4) Écrou-frein 5/16-18, (4) Boulon-frein 3/8-16 x 3/4, (4) Boulon-frein 5/16-18 x 3/4, (4) Rondelle plate rectangulaire 5/16, (4) Rondelle plate 3/8, (1) Arbre clavette 3/16 x 3/16 x 1½ (1) Arbre clavette 1/4 x 1/4 x 1½, (1) Arbre clavette 3/8 x 3/8 x 2

Modèles 28A815 à 28A817

Dépannage

Symptôme	Cause(s) possible(s)	Action corrective
Le ventilateur ne fonctionne pas	<ol style="list-style-type: none"> 1. Fusible grillé ou disjoncteur ouvert 2. Moteur défectueux 3. Mauvais câblage 4. Courroie cassée 5. Poulie(s) desserrée(s) 6. Électricité coupée 	<ol style="list-style-type: none"> 1. Changer ou réparer 2. Changer ou réparer 3. COUPER l'alimentation et contrôler le bon raccordement des câbles 4. Changer les courroies 5. Contrôler l'alignement et resserrer 6. Communiquer avec la compagnie d'électricité
Débit d'air insuffisant	<ol style="list-style-type: none"> 1. Registre (persiennes) fermé et bloqué 2. Vitesse trop lente 3. Patinage de la courroie 	<ol style="list-style-type: none"> 1. Contrôler/réparer le registre 2. Vérifier que la configuration d'entraînement est correcte 3. Changer/régler la tension, utiliser une courroie compatible avec la poulie
Écoulement d'air inversé Débit d'air excessif	<p>L'hélice tourne à l'envers</p> <p>Pression statique insuffisante</p>	<p>Inverser la rotation du moteur, recâbler le moteur</p> <p>Vérifier les calculs de pression statique, ajuster les poulies à PV pour augmenter les tours d'ouverture</p>
Bruit ou vibration excessifs	<ol style="list-style-type: none"> 1. Paliers lâches ou défectueux 2. Matières étrangères dans un palier 3. Poulie non serrée sur l'arbre (moteur et/ou ventilateur) 4. Hélice desserrée 5. Courroies trop lâches/tendues 6. Courroies usées, grasses ou sales 7. Poulies mal alignées 8. Hélice faussée ou endommagée 9. Ventilateur pas solidement ancré 10. Arbre d'hélice déformé 11. Hélice déséquilibrée 	<ol style="list-style-type: none"> 1. Resserrer ou changer les paliers 2. Changer le palier 3. Contrôler l'alignement et serrer les vis de calage et/ou les vis de bagues 4. Serrer les vis de calage ou les vis de bague conique 5. Ajuster la tension 6. Nettoyer ou changer les courroies 7. Réaligner les poulies 8. Changer l'hélice 9. Fixer correctement 10. Changer l'arbre et l'hélice 11. Changer l'hélice
Surcharge ou surchauffe du moteur	<ol style="list-style-type: none"> 1. Rotation de l'hélice trop rapide 2. Bobinage du moteur en court-circuit 3. Rotation de l'hélice incorrecte 4. Sur- ou sous-tension secteur 5. Patinage de la courroie 	<ol style="list-style-type: none"> 1. Contrôler l'entraînement, augmenter les tours d'ouverture sur la poulie à PV 2. Moteur défectueux 3. Contrôler le câblage du moteur 4. Communiquer avec la compagnie d'électricité 5. Serrer la courroie, utiliser une courroie compatible avec la poulie

Ventilateurs d'extraction de forte charge à courroie Dayton®

GARANTIE LIMITÉE

GARANTIE LIMITEE DE UN AN DE DAYTON. LES MODÈLES VENTILATEURS D'EXTRACTION ET DE SOUFFLAGE DE FORTE CHARGE À COURROIE DAYTON®, COUVERTS DANS CE MANUEL SONT GARANTIS À L'UTILISATEUR D'ORIGINE PAR DAYTON ELECTRIC MFG. CO. (DAYTON), CONTRE TOUT DÉFAUT DE FABRICATION OU DE MATÉRIAUX, LORS D'UNE UTILISATION NORMALE, ET CELA PENDANT UN AN APRÈS LA DATE D'ACHAT. TOUTE PIÈCE, DONT LES MATÉRIAUX OU LA MAIN D'OUVRE SERONT JUGÉS DÉFECTUEUX, ET QUI SERA RENVOYÉE PORT PAYÉ, À UN CENTRE DE RÉPARATION AUTORISÉ PAR DAYTON, SERA, À TITRE DE SOLUTION EXCLUSIVE, SOIT RÉPARÉE, SOIT REMPLACÉE PAR DAYTON. POUR LE PROCÉDÉ DE RÉCLAMATION SOUS GARANTIE LIMITÉE, REPORTEZ-VOUS À LA CLAUSE DE « DISPOSITION PROMPTE » CI-DESSOUS. CETTE GARANTIE LIMITÉE DONNE AUX ACHETEURS DES DROITS LÉGAUX SPÉCIFIQUES QUI VARIENT DE JURIDICTION À JURIDICTION.

LIMITES DE RESPONSABILITÉ. LA RESPONSABILITÉ DE DAYTON, DANS LES LIMITES PERMISES PAR LA LOI, POUR LES DOMMAGES INDIRECTS OU FORTUITS EST EXPRESSEMENT DÉNIÉE. DANS TOUS LES CAS LA RESPONSABILITÉ DE DAYTON EST LIMITÉE ET NE DÉPASSERA PAS LA VALEUR DU PRIX D'ACHAT PAYÉ.

DÉSISTEMENT DE GARANTIE. DE DILIGENTS EFFORTS SONT FAITS POUR FOURNIR AVEC PRÉCISION LES INFORMATIONS ET ILLUSTRATIONS DES PRODUITS DÉCRITS DANS CETTE BROCHURE ; CEPENDANT, DE TELLES INFORMATIONS ET ILLUSTRATIONS SONT POUR LA SEULE RAISON D'IDENTIFICATION, ET N'EXPRIMENT NI N'IMPLIQUENT QUE LES PRODUITS SONT COMMERCIALISABLES, OU ADAPTÉS À UN BESOIN PARTICULIER, NI QUE CES PRODUITS SONT NÉCESSAIREMENT CONFORMES AUX ILLUSTRATIONS OU DESCRIPTIONS. SAUF POUR CE QUI SUIT, AUCUNE GARANTIE OU AFFIRMATION DE FAIT, ÉNONCÉE OU IMPLICITE, AUTRE QUE CE QUI EST ÉNONCÉ DANS LA « GARANTIE LIMITÉE » CI-DESSUS N'EST FAITE OU AUTORISÉE PAR DAYTON.

Désistement sur les conseils techniques et les recommandations. Peu importe les pratiques ou négociations antérieures ou les usages commerciaux, les ventes n'incluent pas l'offre de conseils techniques ou d'assistance ou encore de conception de système. Dayton n'a aucune obligation ou responsabilité quant aux recommandations non autorisées, aux opinions et aux suggestions relatives au choix, à l'installation ou à l'utilisation des produits.

Conformité du produit. De nombreuses juridictions ont des codes et règlements qui gouvernent les ventes, constructions, installations et/ou utilisations de produits pour certains usages qui peuvent varier par rapport à ceux d'une zone voisine. Bien que Dayton essaie de s'assurer que ses produits s'accordent avec ces codes, Dayton ne peut garantir cet accord, et ne peut être jugée responsable pour la façon dont le produit est installé ou utilisé. Avant l'achat et l'usage d'un produit, revoir les applications de ce produit, ainsi que tous les codes et règlements nationaux et locaux applicables, et s'assurer que le produit, son installation et son usage sont en accord avec eux.

Certains aspects de désistement ne sont pas applicables aux produits pour consommateur ; ex : (a) certaines juridictions ne permettent pas l'exclusion ou la limitation des dommages indirects ou fortuits et donc la limitation ou exclusion ci-dessus peut ne pas s'appliquer dans le cas présent ; (b) également, certaines juridictions n'autorisent pas de limitations de durée de la garantie implicite, en conséquence, la limitation ci-dessus peut ne pas s'appliquer dans le cas présent ; et (c) par force de loi, pendant la période de cette Garantie Limitée, toutes garanties impliquées de commerciabilité ou d'adaptabilité à un besoin particulier applicables aux produits de consommateurs achetés par des consommateurs, peuvent ne pas être exclues ni autrement désistées.

Disposition prompte. Un effort de bonne foi sera fait pour corriger ou ajuster rapidement tout produit prouvé défectueux pendant la période de la garantie limitée. Pour tout produit considéré défectueux pendant la période de garantie limitée, contacter tout d'abord le concessionnaire où l'appareil a été acheté. Le concessionnaire doit donner des instructions supplémentaires. S'il est impossible de résoudre le problème de façon satisfaisante, écrire à Dayton à l'adresse ci-dessous, en indiquant le nom et l'adresse du concessionnaire, la date et le numéro de la facture du concessionnaire, et en décrivant la nature du défaut. Le titre et le risque de perte passent à l'acheteur au moment de la livraison par le transporteur. Si le produit a été endommagé pendant le transport, une réclamation doit être faite auprès du transporteur.

Fabriqué pour Dayton Electric Mfg. Co. 100 Grainger Parkway, Lake Forest, IL 60045-5201 États-Unis