

# Louvres

## Fresh air rectangular louvres - fixed blades



AG 639A - Aluminium



### Advantages

- Protection against rain water and weather.
- Robust construction.
- AMCA Certified performances.

Aldes Middle East FZE certifies that AG 639A shown herein is licensed to bear the AMCA Seal. The ratings shown are based on tests and procedures performed in accordance with AMCA Publication 511 and comply with the requirements of the AMCA Certified Ratings Program. The AMCA Certified Ratings Seal applies to Water Penetration and Air Performance ratings only.

### DESCRIPTION

- Designed for both intake and exhaust air service in commercial and industrial application.
- Total structure is weather proof and blades inclined downwards to protect against rain water.

### CONSTRUCTION

- Casing manufactured from 3.0 mm heavy duty extruded aluminium. Other gauges available upon request.
- Blades manufactured from 1.2 mm inclined at 60° on 51-60 mm blade pitch centre to minimize water penetration.
- Minimum single section size : 300 x 300 mm
- Maximum single section size : 2000 x 2450 mm
- Larger sizes manufactured in multiple section for assembly at site.

### AVAILABLE OPTIONS

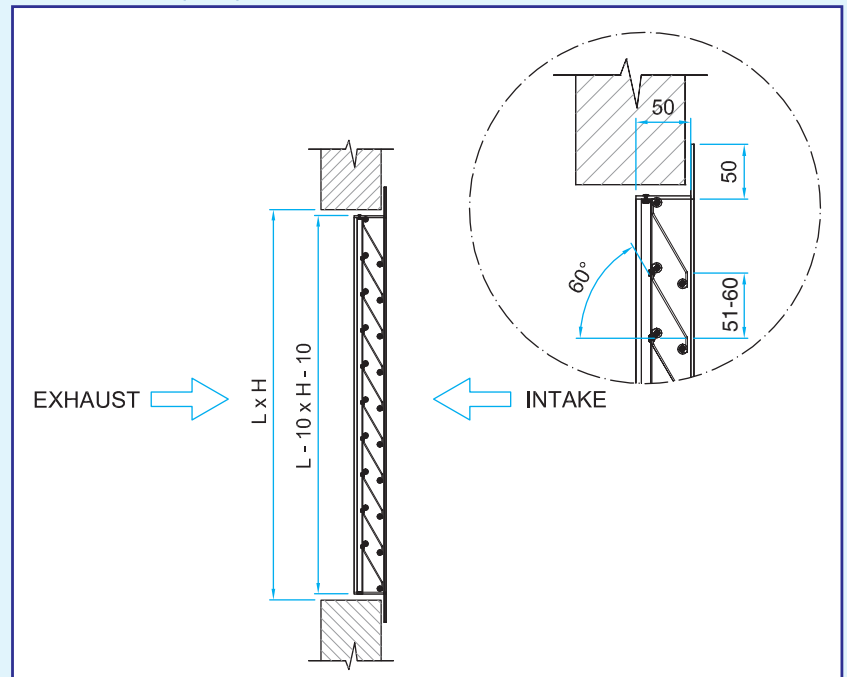
- Insect mesh in galvanized steel, code I.
- Insect mesh in stainless steel, code IS.
- Bird mesh in galvanised steel, code T
- Bird mesh in stainless steel, code TS.
- Powder coated to RAL colour, code Z.
- PVC coated bird mesh - PT.
- Filter - FT.

### RANGE

Type	Description	Code
*AG 639A	Robust construction FAL, casing and blades made from aluminium	
EG 639A	Robust construction FAL, casing and blades made from SS (grade 304)	

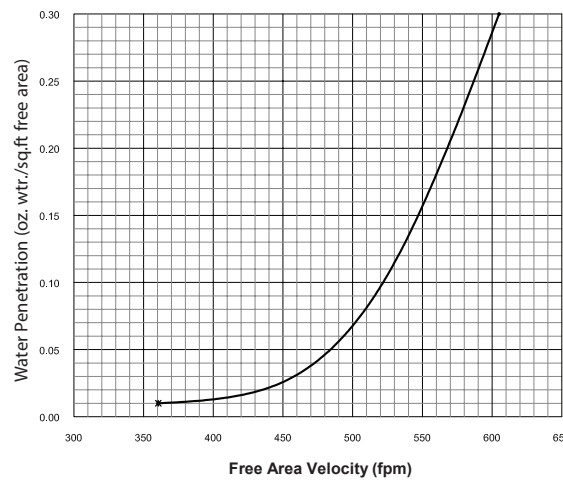
\* Only AG 639A has AMCA Certified water penetration and air performance.

### DIMENSIONS (mm)



AG 639A louvre

### WATER PENETRATION - AG 639A (AMCA Certified)



AMCA Standard 500-L  
Water penetration  
Figure 5.6 setup for size 48" x 48"  
Test duration 15 minutes  
Data is corrected to  
standard air density

The AMCA Water Penetration Test provides a method for comparing various louver models and designs as to their efficiency in resisting the penetration of rainfall under specific laboratory test conditions. The beginning point of water penetration is defined as that velocity where the water penetration curve projects through 0.01 oz. of water (penetration) per sq. ft. of louver free area. **The beginning point of water penetration for model AG 639A as per AMCA Publication 511 section 8.3.2 is 360 fpm free area velocity.**

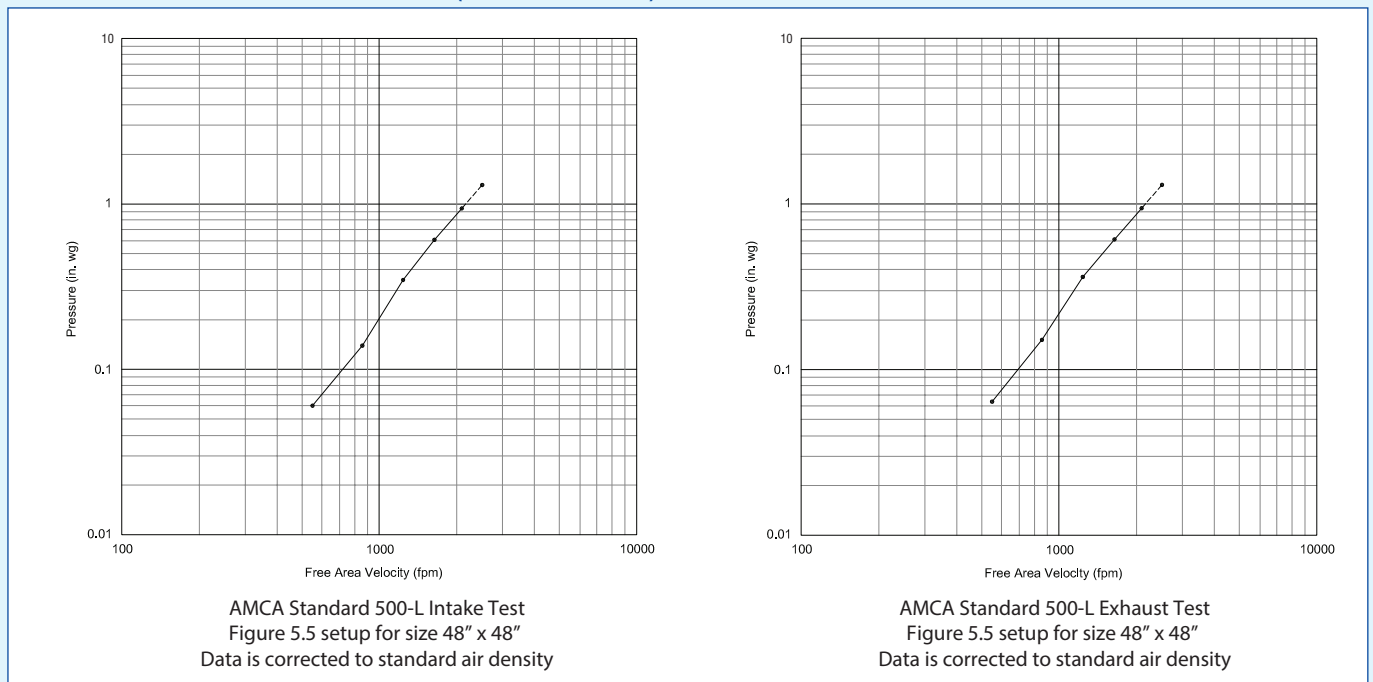
# Louvres

## Engineering & Performance Data

### FREE AREA CHART - AG 639A

Height (H)	Width (W)											
	12 in. 300 mm	18 in. 450 mm	24 in. 600 mm	30 in. 750 mm	36 in. 900 mm	42 in. 1050 mm	48 in. 1200 mm	54 in. 1350 mm	60 in. 1500 mm	66 in. 1650 mm	72 in. 1800 mm	80 in. 2000 mm
12 in. 300 mm	0.222 ft <sup>2</sup> 0.020 m <sup>2</sup>	0.353 ft <sup>2</sup> 0.032 m <sup>2</sup>	0.483 ft <sup>2</sup> 0.044 m <sup>2</sup>	0.613 ft <sup>2</sup> 0.056 m <sup>2</sup>	0.743 ft <sup>2</sup> 0.068 m <sup>2</sup>	0.873 ft <sup>2</sup> 0.080 m <sup>2</sup>	1.004 ft <sup>2</sup> 0.092 m <sup>2</sup>	1.134 ft <sup>2</sup> 0.104 m <sup>2</sup>	1.264 ft <sup>2</sup> 0.116 m <sup>2</sup>	1.394 ft <sup>2</sup> 0.127 m <sup>2</sup>	1.525 ft <sup>2</sup> 0.139 m <sup>2</sup>	1.698 ft <sup>2</sup> 0.155 m <sup>2</sup>
18 in. 450 mm	0.334 ft <sup>2</sup> 0.030 m <sup>2</sup>	0.529 ft <sup>2</sup> 0.048 m <sup>2</sup>	0.724 ft <sup>2</sup> 0.066 m <sup>2</sup>	0.920 ft <sup>2</sup> 0.084 m <sup>2</sup>	1.115 ft <sup>2</sup> 0.102 m <sup>2</sup>	1.310 ft <sup>2</sup> 0.120 m <sup>2</sup>	1.506 ft <sup>2</sup> 0.138 m <sup>2</sup>	1.701 ft <sup>2</sup> 0.155 m <sup>2</sup>	1.896 ft <sup>2</sup> 0.173 m <sup>2</sup>	2.091 ft <sup>2</sup> 0.191 m <sup>2</sup>	2.287 ft <sup>2</sup> 0.209 m <sup>2</sup>	2.547 ft <sup>2</sup> 0.233 m <sup>2</sup>
24 in. 600 mm	0.500 ft <sup>2</sup> 0.046 m <sup>2</sup>	0.793 ft <sup>2</sup> 0.072 m <sup>2</sup>	1.086 ft <sup>2</sup> 0.099 m <sup>2</sup>	1.379 ft <sup>2</sup> 0.126 m <sup>2</sup>	1.672 ft <sup>2</sup> 0.153 m <sup>2</sup>	1.965 ft <sup>2</sup> 0.180 m <sup>2</sup>	2.258 ft <sup>2</sup> 0.206 m <sup>2</sup>	2.551 ft <sup>2</sup> 0.233 m <sup>2</sup>	2.844 ft <sup>2</sup> 0.260 m <sup>2</sup>	3.137 ft <sup>2</sup> 0.287 m <sup>2</sup>	3.430 ft <sup>2</sup> 0.314 m <sup>2</sup>	3.821 ft <sup>2</sup> 0.349 m <sup>2</sup>
30 in. 750 mm	0.612 ft <sup>2</sup> 0.056 m <sup>2</sup>	0.970 ft <sup>2</sup> 0.089 m <sup>2</sup>	1.328 ft <sup>2</sup> 0.121 m <sup>2</sup>	1.686 ft <sup>2</sup> 0.154 m <sup>2</sup>	2.044 ft <sup>2</sup> 0.187 m <sup>2</sup>	2.402 ft <sup>2</sup> 0.219 m <sup>2</sup>	2.760 ft <sup>2</sup> 0.252 m <sup>2</sup>	3.118 ft <sup>2</sup> 0.285 m <sup>2</sup>	3.476 ft <sup>2</sup> 0.318 m <sup>2</sup>	3.834 ft <sup>2</sup> 0.350 m <sup>2</sup>	4.192 ft <sup>2</sup> 0.383 m <sup>2</sup>	4.670 ft <sup>2</sup> 0.427 m <sup>2</sup>
36 in. 900 mm	0.779 ft <sup>2</sup> 0.071 m <sup>2</sup>	1.234 ft <sup>2</sup> 0.113 m <sup>2</sup>	1.690 ft <sup>2</sup> 0.154 m <sup>2</sup>	2.146 ft <sup>2</sup> 0.196 m <sup>2</sup>	2.601 ft <sup>2</sup> 0.238 m <sup>2</sup>	3.057 ft <sup>2</sup> 0.279 m <sup>2</sup>	3.513 ft <sup>2</sup> 0.321 m <sup>2</sup>	3.969 ft <sup>2</sup> 0.363 m <sup>2</sup>	4.424 ft <sup>2</sup> 0.404 m <sup>2</sup>	4.880 ft <sup>2</sup> 0.446 m <sup>2</sup>	5.336 ft <sup>2</sup> 0.488 m <sup>2</sup>	5.943 ft <sup>2</sup> 0.543 m <sup>2</sup>
42 in. 1050 mm	0.890 ft <sup>2</sup> 0.081 m <sup>2</sup>	1.411 ft <sup>2</sup> 0.129 m <sup>2</sup>	1.931 ft <sup>2</sup> 0.176 m <sup>2</sup>	2.452 ft <sup>2</sup> 0.224 m <sup>2</sup>	2.973 ft <sup>2</sup> 0.272 m <sup>2</sup>	3.494 ft <sup>2</sup> 0.319 m <sup>2</sup>	4.015 ft <sup>2</sup> 0.367 m <sup>2</sup>	4.536 ft <sup>2</sup> 0.415 m <sup>2</sup>	5.056 ft <sup>2</sup> 0.462 m <sup>2</sup>	5.577 ft <sup>2</sup> 0.510 m <sup>2</sup>	6.098 ft <sup>2</sup> 0.557 m <sup>2</sup>	6.793 ft <sup>2</sup> 0.621 m <sup>2</sup>
48 in. 1200 mm	1.057 ft <sup>2</sup> 0.096 m <sup>2</sup>	1.675 ft <sup>2</sup> 0.153 m <sup>2</sup>	2.294 ft <sup>2</sup> 0.209 m <sup>2</sup>	2.912 ft <sup>2</sup> 0.266 m <sup>2</sup>	3.531 ft <sup>2</sup> 0.323 m <sup>2</sup>	4.149 ft <sup>2</sup> 0.379 m <sup>2</sup>	<b>4.768 ft<sup>2</sup></b> <b>0.436 m<sup>2</sup></b>	5.386 ft <sup>2</sup> 0.492 m <sup>2</sup>	6.005 ft <sup>2</sup> 0.549 m <sup>2</sup>	6.623 ft <sup>2</sup> 0.605 m <sup>2</sup>	7.241 ft <sup>2</sup> 0.662 m <sup>2</sup>	8.066 ft <sup>2</sup> 0.737 m <sup>2</sup>
54 in. 1350 mm	1.168 ft <sup>2</sup> 0.106 m <sup>2</sup>	1.851 ft <sup>2</sup> 0.169 m <sup>2</sup>	2.535 ft <sup>2</sup> 0.232 m <sup>2</sup>	3.219 ft <sup>2</sup> 0.294 m <sup>2</sup>	3.902 ft <sup>2</sup> 0.357 m <sup>2</sup>	4.586 ft <sup>2</sup> 0.419 m <sup>2</sup>	5.269 ft <sup>2</sup> 0.482 m <sup>2</sup>	5.953 ft <sup>2</sup> 0.544 m <sup>2</sup>	6.637 ft <sup>2</sup> 0.607 m <sup>2</sup>	7.320 ft <sup>2</sup> 0.669 m <sup>2</sup>	8.004 ft <sup>2</sup> 0.732 m <sup>2</sup>	8.915 ft <sup>2</sup> 0.815 m <sup>2</sup>
60 in. 1500 mm	1.335 ft <sup>2</sup> 0.122 m <sup>2</sup>	2.116 ft <sup>2</sup> 0.193 m <sup>2</sup>	2.897 ft <sup>2</sup> 0.265 m <sup>2</sup>	3.678 ft <sup>2</sup> 0.336 m <sup>2</sup>	4.460 ft <sup>2</sup> 0.407 m <sup>2</sup>	5.241 ft <sup>2</sup> 0.479 m <sup>2</sup>	6.022 ft <sup>2</sup> 0.550 m <sup>2</sup>	6.803 ft <sup>2</sup> 0.622 m <sup>2</sup>	7.585 ft <sup>2</sup> 0.693 m <sup>2</sup>	8.366 ft <sup>2</sup> 0.765 m <sup>2</sup>	9.147 ft <sup>2</sup> 0.836 m <sup>2</sup>	10.189 ft <sup>2</sup> 0.931 m <sup>2</sup>
66 in. 1650 mm	1.446 ft <sup>2</sup> 0.132 m <sup>2</sup>	2.292 ft <sup>2</sup> 0.209 m <sup>2</sup>	3.139 ft <sup>2</sup> 0.287 m <sup>2</sup>	3.985 ft <sup>2</sup> 0.364 m <sup>2</sup>	4.831 ft <sup>2</sup> 0.441 m <sup>2</sup>	5.678 ft <sup>2</sup> 0.519 m <sup>2</sup>	6.524 ft <sup>2</sup> 0.596 m <sup>2</sup>	7.370 ft <sup>2</sup> 0.674 m <sup>2</sup>	8.217 ft <sup>2</sup> 0.751 m <sup>2</sup>	9.063 ft <sup>2</sup> 0.828 m <sup>2</sup>	9.909 ft <sup>2</sup> 0.906 m <sup>2</sup>	11.038 ft <sup>2</sup> 1.009 m <sup>2</sup>
72 in. 1800 mm	1.613 ft <sup>2</sup> 0.147 m <sup>2</sup>	2.557 ft <sup>2</sup> 0.233 m <sup>2</sup>	3.501 ft <sup>2</sup> 0.320 m <sup>2</sup>	4.445 ft <sup>2</sup> 0.406 m <sup>2</sup>	5.389 ft <sup>2</sup> 0.492 m <sup>2</sup>	6.333 ft <sup>2</sup> 0.579 m <sup>2</sup>	7.277 ft <sup>2</sup> 0.665 m <sup>2</sup>	8.221 ft <sup>2</sup> 0.751 m <sup>2</sup>	9.165 ft <sup>2</sup> 0.838 m <sup>2</sup>	10.109 ft <sup>2</sup> 0.924 m <sup>2</sup>	11.053 ft <sup>2</sup> 1.010 m <sup>2</sup>	12.311 ft <sup>2</sup> 1.125 m <sup>2</sup>
80 in. 2000 mm	1.780 ft <sup>2</sup> 0.162 m <sup>2</sup>	2.821 ft <sup>2</sup> 0.258 m <sup>2</sup>	3.863 ft <sup>2</sup> 0.353 m <sup>2</sup>	4.905 ft <sup>2</sup> 0.448 m <sup>2</sup>	5.946 ft <sup>2</sup> 0.543 m <sup>2</sup>	6.988 ft <sup>2</sup> 0.639 m <sup>2</sup>	8.030 ft <sup>2</sup> 0.734 m <sup>2</sup>	9.071 ft <sup>2</sup> 0.829 m <sup>2</sup>	10.113 ft <sup>2</sup> 0.924 m <sup>2</sup>	11.155 ft <sup>2</sup> 1.020 m <sup>2</sup>	12.196 ft <sup>2</sup> 1.115 m <sup>2</sup>	13.585 ft <sup>2</sup> 1.242 m <sup>2</sup>
84 in. 2150 mm	1.946 ft <sup>2</sup> 0.177 m <sup>2</sup>	3.086 ft <sup>2</sup> 0.282 m <sup>2</sup>	4.225 ft <sup>2</sup> 0.386 m <sup>2</sup>	5.364 ft <sup>2</sup> 0.490 m <sup>2</sup>	6.504 ft <sup>2</sup> 0.594 m <sup>2</sup>	7.643 ft <sup>2</sup> 0.698 m <sup>2</sup>	8.782 ft <sup>2</sup> 0.803 m <sup>2</sup>	9.922 ft <sup>2</sup> 0.907 m <sup>2</sup>	11.061 ft <sup>2</sup> 1.011 m <sup>2</sup>	12.200 ft <sup>2</sup> 1.115 m <sup>2</sup>	13.340 ft <sup>2</sup> 1.219 m <sup>2</sup>	14.859 ft <sup>2</sup> 1.358 m <sup>2</sup>
90 in. 2300 mm	2.058 ft <sup>2</sup> 0.188 m <sup>2</sup>	3.262 ft <sup>2</sup> 0.298 m <sup>2</sup>	4.466 ft <sup>2</sup> 0.408 m <sup>2</sup>	5.671 ft <sup>2</sup> 0.518 m <sup>2</sup>	6.875 ft <sup>2</sup> 0.628 m <sup>2</sup>	8.080 ft <sup>2</sup> 0.738 m <sup>2</sup>	9.284 ft <sup>2</sup> 0.848 m <sup>2</sup>	10.489 ft <sup>2</sup> 0.959 m <sup>2</sup>	11.693 ft <sup>2</sup> 1.069 m <sup>2</sup>	12.897 ft <sup>2</sup> 1.179 m <sup>2</sup>	14.102 ft <sup>2</sup> 1.289 m <sup>2</sup>	15.708 ft <sup>2</sup> 1.436 m <sup>2</sup>
96 in. 2450 mm	2.224 ft <sup>2</sup> 0.203 m <sup>2</sup>	3.526 ft <sup>2</sup> 0.322 m <sup>2</sup>	4.829 ft <sup>2</sup> 0.441 m <sup>2</sup>	6.131 ft <sup>2</sup> 0.560 m <sup>2</sup>	7.433 ft <sup>2</sup> 0.679 m <sup>2</sup>	8.735 ft <sup>2</sup> 0.798 m <sup>2</sup>	10.037 ft <sup>2</sup> 0.917 m <sup>2</sup>	11.339 ft <sup>2</sup> 1.036 m <sup>2</sup>	12.641 ft <sup>2</sup> 1.155 m <sup>2</sup>	13.943 ft <sup>2</sup> 1.274 m <sup>2</sup>	15.245 ft <sup>2</sup> 1.393 m <sup>2</sup>	16.981 ft <sup>2</sup> 1.552 m <sup>2</sup>

### AIR PERFORMANCE DATA - AG 639A (AMCA Certified)



# Louvres

## Fresh air rectangular louvres - fixed blades



AG 638A - Aluminium

### Advantages

- Protection against rain water and weather.
- AMCA tested performances.

### DESCRIPTION

- Designed for both intake and exhaust air service in commercial and industrial application.
- Total structure is weather proof and blades inclined downwards to protect against rain water.

### CONSTRUCTION

- Casing / frame manufactured from 1.2 mm extruded aluminium as standard.
- Blades manufactured from 1.2 mm extruded aluminium and are inclined at 60° on 51 - 60 mm blade pitch centre to minimize water penetration.
- Minimum single section size : 300 x 300 mm mm
- Maximum single section size : 2000 x 2450 mm
- Larger sizes manufactured in multiple section for assembly at site.

### AVAILABLE OPTIONS

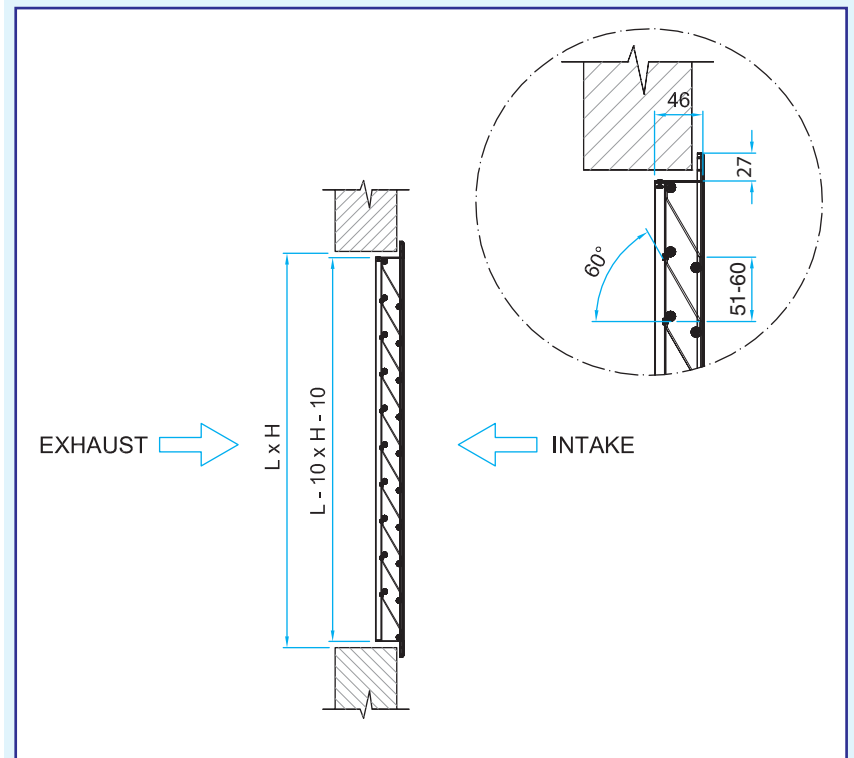
- Insect mesh in galvanized steel, code I.
- Insect mesh in stainless steel code IS.
- Bird mesh in galvanized steel, code T.
- Bird mesh in stainless steel, code TS.
- Powder coated to RAL colour, code Z.
- PVC coated bird mesh - PT.
- Filter - FT.

### RANGE

Type	Description	Code
*AG 638A	Fresh air louvre, casing and blades made from aluminium	
SG 638A	Fresh air louvre, casing and blades made from GI	
EG 638A	Fresh air louvre, casing and blades made from SS (grade 304)	

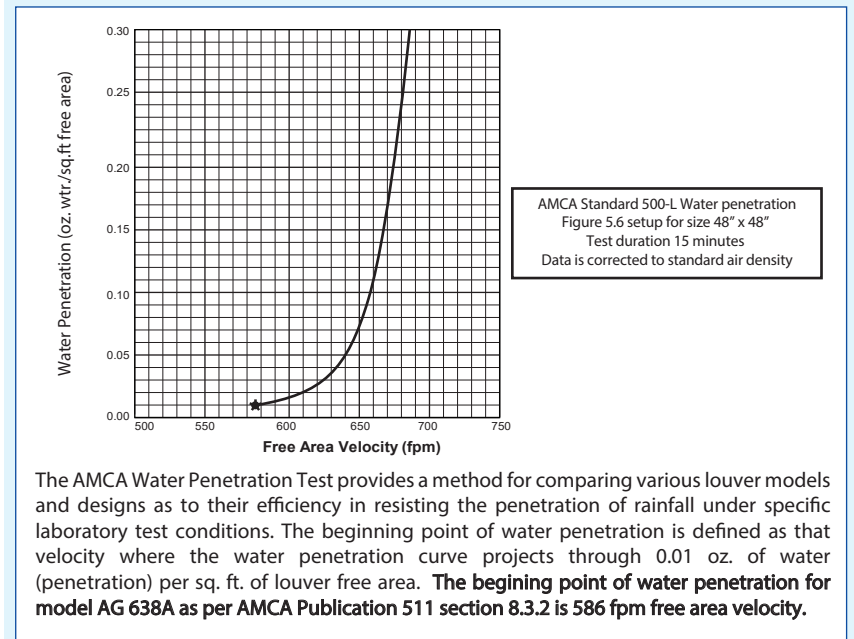
\* Only AG 638A was tested in AMCA for water penetration and air performance.

### DIMENSIONS (mm)



AG 638A louvre

### WATER PENETRATION - AG 638A



The AMCA Water Penetration Test provides a method for comparing various louver models and designs as to their efficiency in resisting the penetration of rainfall under specific laboratory test conditions. The beginning point of water penetration is defined as that velocity where the water penetration curve projects through 0.01 oz. of water (penetration) per sq. ft. of louver free area. **The beginning point of water penetration for model AG 638A as per AMCA Publication 511 section 8.3.2 is 586 fpm free area velocity.**

# Louvres

## Engineering & Performance Data

### FREE AREA CHART - AG 638A

Height (H)	Width (W)											
	12 in. 300 mm	18 in. 450 mm	24 in. 600 mm	30 in. 750 mm	36 in. 900 mm	42 in. 1050 mm	48 in. 1200 mm	54 in. 1350 mm	60 in. 1500 mm	66 in. 1650 mm	72 in. 1800 mm	80 in. 2000 mm
12 in. 300 mm	0.212 ft <sup>2</sup> 0.019 m <sup>2</sup>	0.332 ft <sup>2</sup> 0.030 m <sup>2</sup>	0.452 ft <sup>2</sup> 0.041 m <sup>2</sup>	0.572 ft <sup>2</sup> 0.052 m <sup>2</sup>	0.691 ft <sup>2</sup> 0.063 m <sup>2</sup>	0.811 ft <sup>2</sup> 0.074 m <sup>2</sup>	0.931 ft <sup>2</sup> 0.085 m <sup>2</sup>	1.051 ft <sup>2</sup> 0.096 m <sup>2</sup>	1.170 ft <sup>2</sup> 0.107 m <sup>2</sup>	1.290 ft <sup>2</sup> 0.118 m <sup>2</sup>	1.410 ft <sup>2</sup> 0.129 m <sup>2</sup>	1.570 ft <sup>2</sup> 0.143 m <sup>2</sup>
18 in. 450 mm	0.318 ft <sup>2</sup> 0.029 m <sup>2</sup>	0.498 ft <sup>2</sup> 0.045 m <sup>2</sup>	0.678 ft <sup>2</sup> 0.062 m <sup>2</sup>	0.857 ft <sup>2</sup> 0.078 m <sup>2</sup>	1.037 ft <sup>2</sup> 0.095 m <sup>2</sup>	1.217 ft <sup>2</sup> 0.111 m <sup>2</sup>	1.396 ft <sup>2</sup> 0.128 m <sup>2</sup>	1.576 ft <sup>2</sup> 0.144 m <sup>2</sup>	1.756 ft <sup>2</sup> 0.160 m <sup>2</sup>	1.935 ft <sup>2</sup> 0.177 m <sup>2</sup>	2.115 ft <sup>2</sup> 0.193 m <sup>2</sup>	2.355 ft <sup>2</sup> 0.215 m <sup>2</sup>
24 in. 600 mm	0.477 ft <sup>2</sup> 0.044 m <sup>2</sup>	0.747 ft <sup>2</sup> 0.068 m <sup>2</sup>	1.016 ft <sup>2</sup> 0.093 m <sup>2</sup>	1.286 ft <sup>2</sup> 0.117 m <sup>2</sup>	1.555 ft <sup>2</sup> 0.142 m <sup>2</sup>	1.825 ft <sup>2</sup> 0.167 m <sup>2</sup>	2.094 ft <sup>2</sup> 0.191 m <sup>2</sup>	2.364 ft <sup>2</sup> 0.216 m <sup>2</sup>	2.634 ft <sup>2</sup> 0.241 m <sup>2</sup>	2.903 ft <sup>2</sup> 0.265 m <sup>2</sup>	3.173 ft <sup>2</sup> 0.290 m <sup>2</sup>	3.532 ft <sup>2</sup> 0.323 m <sup>2</sup>
30 in. 750 mm	0.583 ft <sup>2</sup> 0.053 m <sup>2</sup>	0.913 ft <sup>2</sup> 0.083 m <sup>2</sup>	1.242 ft <sup>2</sup> 0.113 m <sup>2</sup>	1.572 ft <sup>2</sup> 0.144 m <sup>2</sup>	1.901 ft <sup>2</sup> 0.174 m <sup>2</sup>	2.230 ft <sup>2</sup> 0.204 m <sup>2</sup>	2.560 ft <sup>2</sup> 0.234 m <sup>2</sup>	2.889 ft <sup>2</sup> 0.264 m <sup>2</sup>	3.219 ft <sup>2</sup> 0.294 m <sup>2</sup>	3.548 ft <sup>2</sup> 0.324 m <sup>2</sup>	3.878 ft <sup>2</sup> 0.354 m <sup>2</sup>	4.317 ft <sup>2</sup> 0.395 m <sup>2</sup>
36 in. 900 mm	0.742 ft <sup>2</sup> 0.068 m <sup>2</sup>	1.162 ft <sup>2</sup> 0.106 m <sup>2</sup>	1.581 ft <sup>2</sup> 0.144 m <sup>2</sup>	2.000 ft <sup>2</sup> 0.183 m <sup>2</sup>	2.420 ft <sup>2</sup> 0.221 m <sup>2</sup>	2.839 ft <sup>2</sup> 0.259 m <sup>2</sup>	3.258 ft <sup>2</sup> 0.298 m <sup>2</sup>	3.677 ft <sup>2</sup> 0.336 m <sup>2</sup>	4.097 ft <sup>2</sup> 0.374 m <sup>2</sup>	4.516 ft <sup>2</sup> 0.413 m <sup>2</sup>	4.935 ft <sup>2</sup> 0.451 m <sup>2</sup>	5.494 ft <sup>2</sup> 0.502 m <sup>2</sup>
42 in. 1050 mm	0.849 ft <sup>2</sup> 0.077 m <sup>2</sup>	1.328 ft <sup>2</sup> 0.121 m <sup>2</sup>	1.807 ft <sup>2</sup> 0.165 m <sup>2</sup>	2.286 ft <sup>2</sup> 0.209 m <sup>2</sup>	2.765 ft <sup>2</sup> 0.253 m <sup>2</sup>	3.244 ft <sup>2</sup> 0.297 m <sup>2</sup>	3.724 ft <sup>2</sup> 0.340 m <sup>2</sup>	4.203 ft <sup>2</sup> 0.384 m <sup>2</sup>	4.682 ft <sup>2</sup> 0.428 m <sup>2</sup>	5.161 ft <sup>2</sup> 0.472 m <sup>2</sup>	5.640 ft <sup>2</sup> 0.516 m <sup>2</sup>	6.279 ft <sup>2</sup> 0.574 m <sup>2</sup>
48 in. 1200 mm	1.008 ft <sup>2</sup> 0.092 m <sup>2</sup>	1.577 ft <sup>2</sup> 0.144 m <sup>2</sup>	2.146 ft <sup>2</sup> 0.196 m <sup>2</sup>	2.715 ft <sup>2</sup> 0.248 m <sup>2</sup>	3.284 ft <sup>2</sup> 0.300 m <sup>2</sup>	3.853 ft <sup>2</sup> 0.352 m <sup>2</sup>	<b>4.422 ft<sup>2</sup></b> <b>0.404 m<sup>2</sup></b>	4.991 ft <sup>2</sup> 0.456 m <sup>2</sup>	5.560 ft <sup>2</sup> 0.508 m <sup>2</sup>	6.129 ft <sup>2</sup> 0.560 m <sup>2</sup>	6.698 ft <sup>2</sup> 0.612 m <sup>2</sup>	7.456 ft <sup>2</sup> 0.682 m <sup>2</sup>
54 in. 1350 mm	1.114 ft <sup>2</sup> 0.102 m <sup>2</sup>	1.743 ft <sup>2</sup> 0.159 m <sup>2</sup>	2.372 ft <sup>2</sup> 0.217 m <sup>2</sup>	3.000 ft <sup>2</sup> 0.274 m <sup>2</sup>	3.629 ft <sup>2</sup> 0.332 m <sup>2</sup>	4.258 ft <sup>2</sup> 0.389 m <sup>2</sup>	4.887 ft <sup>2</sup> 0.447 m <sup>2</sup>	5.516 ft <sup>2</sup> 0.504 m <sup>2</sup>	6.145 ft <sup>2</sup> 0.562 m <sup>2</sup>	6.774 ft <sup>2</sup> 0.619 m <sup>2</sup>	7.403 ft <sup>2</sup> 0.677 m <sup>2</sup>	8.241 ft <sup>2</sup> 0.753 m <sup>2</sup>
60 in. 1500 mm	1.273 ft <sup>2</sup> 0.116 m <sup>2</sup>	1.992 ft <sup>2</sup> 0.182 m <sup>2</sup>	2.710 ft <sup>2</sup> 0.248 m <sup>2</sup>	3.429 ft <sup>2</sup> 0.313 m <sup>2</sup>	4.148 ft <sup>2</sup> 0.379 m <sup>2</sup>	4.867 ft <sup>2</sup> 0.445 m <sup>2</sup>	5.585 ft <sup>2</sup> 0.510 m <sup>2</sup>	6.304 ft <sup>2</sup> 0.576 m <sup>2</sup>	7.023 ft <sup>2</sup> 0.642 m <sup>2</sup>	7.742 ft <sup>2</sup> 0.708 m <sup>2</sup>	8.460 ft <sup>2</sup> 0.773 m <sup>2</sup>	9.419 ft <sup>2</sup> 0.861 m <sup>2</sup>
66 in. 1650 mm	1.379 ft <sup>2</sup> 0.126 m <sup>2</sup>	2.157 ft <sup>2</sup> 0.197 m <sup>2</sup>	2.936 ft <sup>2</sup> 0.268 m <sup>2</sup>	3.715 ft <sup>2</sup> 0.339 m <sup>2</sup>	4.493 ft <sup>2</sup> 0.411 m <sup>2</sup>	5.272 ft <sup>2</sup> 0.482 m <sup>2</sup>	6.051 ft <sup>2</sup> 0.553 m <sup>2</sup>	6.829 ft <sup>2</sup> 0.624 m <sup>2</sup>	7.608 ft <sup>2</sup> 0.695 m <sup>2</sup>	8.387 ft <sup>2</sup> 0.767 m <sup>2</sup>	9.165 ft <sup>2</sup> 0.838 m <sup>2</sup>	10.204 ft <sup>2</sup> 0.933 m <sup>2</sup>
72 in. 1800 mm	1.538 ft <sup>2</sup> 0.140 m <sup>2</sup>	2.406 ft <sup>2</sup> 0.220 m <sup>2</sup>	3.275 ft <sup>2</sup> 0.299 m <sup>2</sup>	4.143 ft <sup>2</sup> 0.379 m <sup>2</sup>	5.012 ft <sup>2</sup> 0.458 m <sup>2</sup>	5.880 ft <sup>2</sup> 0.537 m <sup>2</sup>	6.749 ft <sup>2</sup> 0.617 m <sup>2</sup>	7.617 ft <sup>2</sup> 0.696 m <sup>2</sup>	8.486 ft <sup>2</sup> 0.776 m <sup>2</sup>	9.354 ft <sup>2</sup> 0.855 m <sup>2</sup>	10.223 ft <sup>2</sup> 0.934 m <sup>2</sup>	11.381 ft <sup>2</sup> 1.040 m <sup>2</sup>
80 in. 2000 mm	1.697 ft <sup>2</sup> 0.155 m <sup>2</sup>	2.655 ft <sup>2</sup> 0.242 m <sup>2</sup>	3.614 ft <sup>2</sup> 0.330 m <sup>2</sup>	4.572 ft <sup>2</sup> 0.418 m <sup>2</sup>	5.530 ft <sup>2</sup> 0.505 m <sup>2</sup>	6.489 ft <sup>2</sup> 0.593 m <sup>2</sup>	7.447 ft <sup>2</sup> 0.681 m <sup>2</sup>	8.405 ft <sup>2</sup> 0.768 m <sup>2</sup>	9.364 ft <sup>2</sup> 0.856 m <sup>2</sup>	10.322 ft <sup>2</sup> 0.944 m <sup>2</sup>	11.280 ft <sup>2</sup> 1.031 m <sup>2</sup>	12.558 ft <sup>2</sup> 1.148 m <sup>2</sup>
84 in. 2150 mm	1.856 ft <sup>2</sup> 0.169 m <sup>2</sup>	2.904 ft <sup>2</sup> 0.265 m <sup>2</sup>	3.953 ft <sup>2</sup> 0.361 m <sup>2</sup>	5.001 ft <sup>2</sup> 0.457 m <sup>2</sup>	6.049 ft <sup>2</sup> 0.553 m <sup>2</sup>	7.097 ft <sup>2</sup> 0.649 m <sup>2</sup>	8.145 ft <sup>2</sup> 0.744 m <sup>2</sup>	9.193 ft <sup>2</sup> 0.840 m <sup>2</sup>	10.242 ft <sup>2</sup> 0.936 m <sup>2</sup>	11.290 ft <sup>2</sup> 1.032 m <sup>2</sup>	12.338 ft <sup>2</sup> 1.128 m <sup>2</sup>	13.735 ft <sup>2</sup> 1.256 m <sup>2</sup>
90 in. 2300 mm	1.962 ft <sup>2</sup> 0.179 m <sup>2</sup>	3.070 ft <sup>2</sup> 0.280 m <sup>2</sup>	4.178 ft <sup>2</sup> 0.382 m <sup>2</sup>	5.286 ft <sup>2</sup> 0.483 m <sup>2</sup>	6.395 ft <sup>2</sup> 0.584 m <sup>2</sup>	7.503 ft <sup>2</sup> 0.686 m <sup>2</sup>	8.611 ft <sup>2</sup> 0.787 m <sup>2</sup>	9.719 ft <sup>2</sup> 0.888 m <sup>2</sup>	10.827 ft <sup>2</sup> 0.990 m <sup>2</sup>	11.935 ft <sup>2</sup> 1.091 m <sup>2</sup>	13.043 ft <sup>2</sup> 1.192 m <sup>2</sup>	14.520 ft <sup>2</sup> 1.327 m <sup>2</sup>
96 in. 2450 mm	2.121 ft <sup>2</sup> 0.194 m <sup>2</sup>	3.319 ft <sup>2</sup> 0.303 m <sup>2</sup>	4.517 ft <sup>2</sup> 0.413 m <sup>2</sup>	5.715 ft <sup>2</sup> 0.522 m <sup>2</sup>	6.913 ft <sup>2</sup> 0.632 m <sup>2</sup>	8.111 ft <sup>2</sup> 0.741 m <sup>2</sup>	9.309 ft <sup>2</sup> 0.851 m <sup>2</sup>	10.507 ft <sup>2</sup> 0.960 m <sup>2</sup>	11.705 ft <sup>2</sup> 1.070 m <sup>2</sup>	12.903 ft <sup>2</sup> 1.179 m <sup>2</sup>	14.100 ft <sup>2</sup> 1.289 m <sup>2</sup>	15.698 ft <sup>2</sup> 1.435 m <sup>2</sup>

### AIR PERFORMANCE DATA - AG 638A

