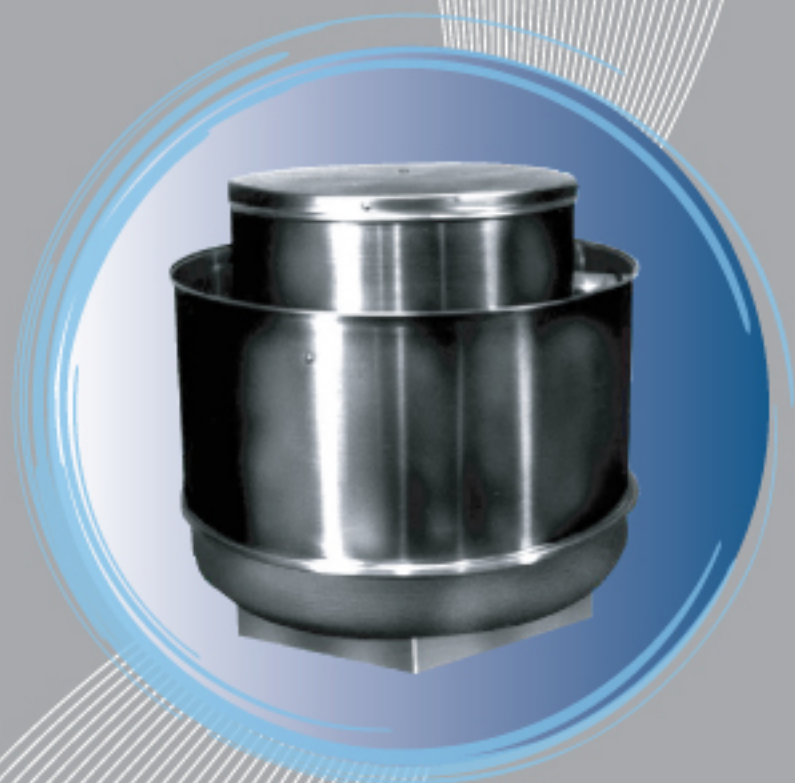


# FCVS

*Roof Upblast Centrifugal Fan*



Underwriters  
Laboratories

UL 705 & UL 762



# DYNAIR

FCVS 02-12

July, 2012



## PRODUCT FEATURES

### Noise

Balancing G2.5  
 Extended Fan life  
 Quiet and Low Noise

### Centrifugal Impeller

Non sparking Construction  
 Centrifugalize grease or liquid contaminatoin

### Active cooling

Long lasting motor and bearing  
 Fan away from polluted area  
 Fresh air cooling driven chamber

### Fan design

Enhance building appearences  
 Silver white metallic lustre casing harmonious  
 with building colors

### Fan application

Upblast exhaust air high pressure  
 Wet and sticky air exhaust  
 Ideal for lub grease, kitchen, dust  
 All aluminium construction explosive resistant  
 exhaust

### Low weight

Casing and Impeller : Aluminium alloy material  
 Reduce of roof load reinforcement structure  
 cost saved

### UL Listings

Most models are standard as listed by Under-  
 writers Laboratories under Standard 762  
 (YZHW).

Most models are available as listed by Under-  
 writers Laboratories under Standard 705.(ZACT)



### AMCA Sound & Air Performance Seal

Maico Italy S.p.A Certifies that the Dynair  
 model FCVS shown herein is licensed to bear  
 the AMCA Seal. The ratings shown are based  
 on tests and procedures performed in accor-  
 dance with AMCA Publication 211 and AMCA  
 311 and comply with the requirements of the  
 AMCA Certified Ratings Seal.





## KITCHEN EXHAUST APPLICATION

The FCVS fans kitchen exhaust fans are designed and built to handle the exhaust of hot, greasy air from commercial kitchen hoods. The fan discharges contaminated air away from supply air intakes and building discharges contaminated air away from supply air intakes and building exteriors. These exhaust fans can be roof or wall mounted through size (with HP limitations shown below). Sizes 30-48 are to be roof mounted only.

### Product Features

UL listing under standard 705 as option on most models for normal Roof Upblast

UL listing under Standard 762 available as option on most models for Kitchen Exhaust

Motors are UL recognized with reputed Brand

Wiring is external to exhaust air

Safety disconnect utility box mounted switch and cover plate shipped loose for ease of field wiring (optional)

### Motor Compartment

Motor compartment insulated for operating temperatures to 149°C

Vent tube provides positive motor cooling to maximize motor life

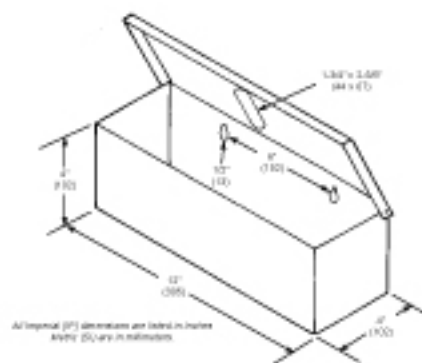
Easy removable lid and tube utilize durable fastener retainer

Fan Plate isolates motor compartment from contaminated exhaust air

Opening around shaft sized to allow optimum air passage to ensure proper motor compartment cooling



### GREASE COLLECTOR BOX



#### STANDARD FEATURES

- 30 (1.0) Amps/HP
- Rigid Construction
- Removable, 1800 Tight Lid
- Mounts to wall cap, under duct opening
- Slope base



## GENERAL DESCRIPTION

### Direct driven and Belt driven

FCVS Centrifugal roof exhaust fans are upblast configuration and suitable for roof mounted applications exhausting relatively polluted air. This model has both belt driven and direct driven. Explosion proof series available in direct driven model. Its used for kitchen fume application as centrifugal action flows down the grease in the collection box. Max Exhaust Temperature 60° C - 90° C for the continuous operation.

### Housing

The fan housing and hood are made of heavy guage aluminium alloy. The wind band has a rigid internal support structure of water tight during heavy rain.

### Impeller

The impeller is backward curved centrifugal type made of heavy guage aluminium alloy. The inlet venturi guide the air smoothly with low noise at inlet. The impeller is balanced statically and dynamically to level G2.5 as per ISO standard No.1940. LP - Low Pressure Impeller and HP - High Pressure Impeller series are available for different application of air contamination.

### Shaft

The fan shaft shall be sized for a minimum of 150% of driven horsepower. Pulleys shall be of cast iron keyed and securely attached to the impeller and the motor shafts. Coical (QD) type bushings shall be equipped for easy removal of the pulley.

### Bearings

The bearing shall be selected for a minimum (L-10) life in excess of 80,000 hourse at maximum catalogued operating speed. Bearing type shall be permanently sealed, re-lubricable pillow block metal ball bearings.

Drive support : Drive assemblies shall be supported by heavy guage powder coated steel. The belt tension shall be adjusted through motor support plate, the design shall make sure the fan shaft is alwatys parallel.

### Motor

The motot shall be carefully matched to the fan load and its IP 55, insulation class F. The motor bearings shall be ball type and need not lubrication. Motor chamber is cooled through a vent tube free from the contaminated air. Complete assembly including motor and impeller shall be mounted on vibration isolators.

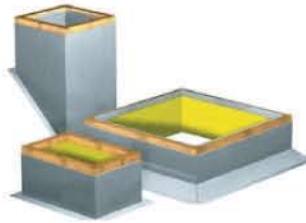
**OPTIONAL ACCESSORIES**

**Gravity back-draft damper**

Carefully designed back-draft damper with aluminum blades cross linked can stop the backflow or external air and it would not generate condensed water.


**Service Switch**

The service switch is to be installed inside the fan or on the roof close to the fan, the usage is only to make sure the power supply can be reliably shut off while repairing the fan, and it is not supposed to start/stop the fan for daily operation.


**Curb Adapter**

The curb adapter is to adapt ready-made roof curb to fit FCVS fans when size does not match. The adapter can convert from smaller range to bigger range and viceversa. Existing roof curb is required when ordering.

**Discharge Tube**

Discharge Tube allows for single point drainage of grease, water and other residues. Grease Box Aluminum trap designed to collect grease residue to avoid drainage onto roof surface.

section **4**  
page 76

**REFERENCE CODE**

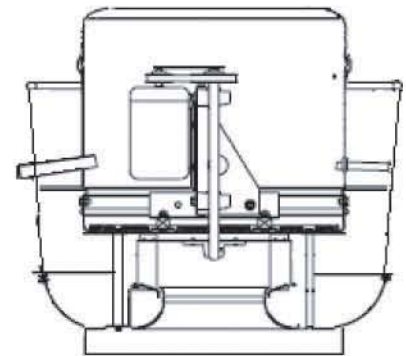
FCVS 24 D4 0.25

① ② ③ ④

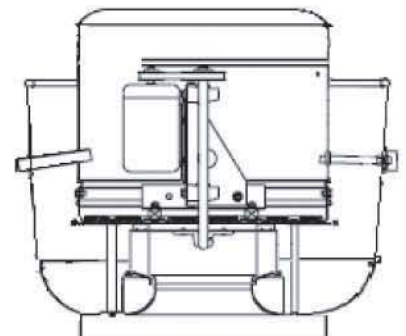
D4 : Direct Drive 4 Pole motor  
B4 : Belt drive 4 Pole motor

24 : Diameter of the Impeller 24 (inch)

Model : FCVS - Roof Exhaust Centrifugal Fan (Belt / Direct) driven



**FCVS - D (Direct - drive)**  
(Explosive air exhaust optional)



**FCVS - B (Belt - drive)**



FCVS



FCVS - 06

Performance Data

Direct driven

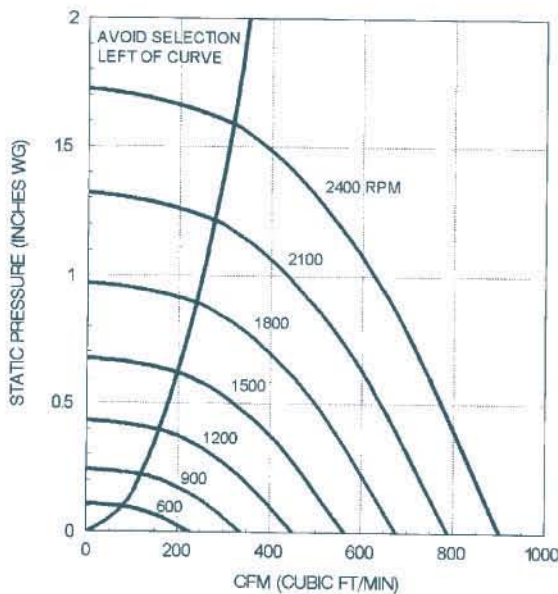
RPM Range - Motor HP	RPM	STATIC PRESSURE, INCHES W.G.													
		F3+ 1/20		J2+ 1/8											
		CFM BHP	SONES	CFM BHP	SONES	.000	.125	.250	.375	.500	.625	.750	1.000	1.250	
SPEED CONTROLLABLE MOTORS	400	150	.01												
	500	188	.01												
	600	225	.01												
	700	263	.01	119	.01										
	800	300	.01	193	.01										
	900	338	.01	248	.02										
	1000	376	.02	297	.02	179	.02								
	1075 *	404	.02	332	.03	237	.03								
	1100	413	.02	343	.03	253	.03								
	1200	451	.03	387	.04	314	.04	194	.04						
	1300	488	.04	429	.04	365	.05	278	.05						
	1400	526	.05	471	.05	414	.06	343	.06	239	.06				
	1500	563	.06	513	.07	461	.07	400	.07	320	.08				
	1600 *	601	.07	553	.08	505	.08	451	.09	385	.09	300	.09		
	1140 *	428	.03	361	.03	278	.03								
	1725 *	648	.09	604	.10	559	.10	512	.11	458	.11	391	.12	303	.12

section 4  
page 77

Performance certified is for installation type A - free inlet, free outlet. Speed(RPM) is nominal. Performance is based on the actual speed of test. Base Unit as per Motor speed RPM range capable with solid state speed control. AMCA Seal for sound rating does not apply to units with speed controls. Performance ratings do not include the effects of appurtenances (accessories)

The sound power level ratings shown are in decibels, referred to 10<sup>-12</sup> watts calculated as per AMCA standard 301. Values shown are for inlet L<sub>wi</sub> sound and L<sub>wi</sub> A sound power levels for installation Type A : free inlet, free outlet. Values shown are for installation Type A, free inlet hemispherical sone levels. The A-weighted sound ratings shown have been calculated per AMCA International standard 301.

Performance curve



Sound Data

RPM	SP	SOUND POWER RE 10 <sup>-12</sup> WATTS								
		OCTAVE BANDS								
		1	2	3	4	5	6	7	8	LWA
1075	.000	50	57	51	52	48	49	43	39	55
	.125	54	56	52	51	48	47	43	38	54
	.375	61	63	56	58	53	50	45	41	59
1600	.000	65	65	66	62	59	57	55	50	65
	.250	66	66	65	62	59	57	54	50	65
	.375	66	67	65	62	59	56	54	49	65
	.500	68	69	67	63	61	58	54	50	66
	.625	71	71	69	65	63	59	56	51	68
.750	73	74	71	67	65	61	57	52	70	

Values shown are for installation Type A, free inlet hemispherical fan sone levels. The sound ratings shown are loudness values in fan sones at 5 feet (1.5m) in a hemispherical free field calculated per AMCA Standard 301. Ratings do not include the effects of duct end correction.

### FCVS - 08

#### Performance Data

Direct driven

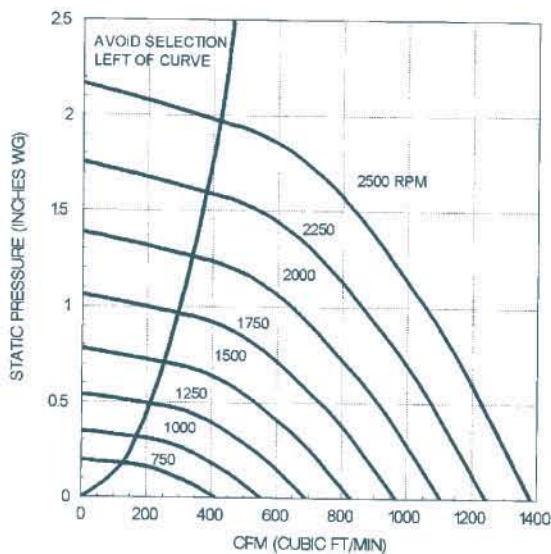
RPM Range - Motor HP	RPM	STATIC PRESSURE, INCHES W.G.																	
		.000		.125		.250		.375		.500		.625		.750		1.000		1.250	
		CFM	BHP	CFM	BHP	CFM	BHP	CFM	BHP	CFM	BHP	CFM	BHP	CFM	BHP	CFM	BHP	CFM	BHP
SPEED CONTROLLABLE MOTORS F3+ 1/20 J2+ 1/8	600	331	.01																
	675	373	.01	193	.01														
	750	414	.01	267	.01														
	825	455	.01	328	.02														
	900	497	.02	385	.02	176	.02												
	1000	552	.03	455	.03	321	.03												
	1075 *	593	.03	504	.04	389	.04												
	1175	649	.04	568	.05	470	.05	340	.05										
	1250	690	.05	614	.06	527	.06	420	.06										
	1325	731	.06	661	.07	582	.07	484	.07	348	.08								
	1400	773	.07	706	.08	635	.08	546	.09	439	.09								
	1475	814	.09	751	.09	684	.10	603	.10	512	.10	379	.10						
	1550	856	.10	795	.11	732	.11	660	.12	576	.12	474	.12	280	.12				
1600 *	883	.11	825	.12	764	.12	696	.13	617	.13	527	.13	390	.13					
ALL OTHER MOTORS	1140 *	629	.04	546	.04	443	.05	290	.05										
	1725 *	952	.14	898	.14	842	.15	784	.16	713	.16	637	.17	548	.17				

section 4  
page 78

Performance certified is for installation type A - free inlet, free outlet. Speed (RPM) is nominal. Performance is based on the actual speed of test. Base Unit as per Motor speed RPM range capable with solid state speed control. AMCA Seal for sound rating does not apply to units with speed controls. Performance ratings do not include the effects of accessories.

The sound power level ratings shown are in decibels, referred to 10<sup>-12</sup> watts calculated as per AMCA standard 301. Values shown are for inlet L<sub>in</sub> and L<sub>wi</sub> A sound power levels for installation Type A: free inlet, free outlet. Values shown are for installation Type A, free inlet hemispherical sound levels. The A-weighted sound ratings shown have been calculated per AMCA International standard 301.

#### Performance curve



#### Sound Data

RPM	SP	SOUND POWER RE 10 <sup>-12</sup> WATTS								LWA
		OCTAVE BANDS								
		1	2	3	4	5	6	7	8	
1075	.000	56	68	57	54	50	50	52	53	60
	.125	57	64	54	53	49	49	49	49	58
	.375	58	60	53	53	51	51	47	43	57
1600	.000	74	73	74	66	61	59	60	61	70
	.250	74	71	71	64	61	58	58	58	68
	.375	74	71	70	63	60	58	57	57	67
	.500	73	71	69	63	60	58	57	56	67
	.625	72	70	69	63	61	60	58	55	67
.750	72	70	68	63	61	60	58	54	68	

Values shown are for installation Type A, free inlet hemispherical fan sound levels. The sound ratings shown are loudness values in fan sound at 5 feet (1.5m) in a hemispherical free field calculated per AMCA Standard 301. Ratings do not include the effects of duct end correction.



## FCVS - 10

### Performance Data

Direct driven

RPM Range - Motor HP	RPM	STATIC PRESSURE, INCHES W.G.																	
		.000		.125		.250		.375		.500		.625		.750		1.000		1.250	
		CFM	BHP	CFM	BHP	CFM	BHP	CFM	BHP	CFM	BHP	CFM	BHP	CFM	BHP	CFM	BHP	CFM	BHP
SPEED CONTROLLABLE MOTORS	550	520	.01	277	.01														
		1.5	1.3																
	700	662	.02	500	.03														
		2.7	2.3																
	800	757	.03	620	.04	432	.04												
		3.6	3.1	3.3															
	825 *	781	.04	648	.04	477	.04												
		3.6	3.3	3.5															
	900	852	.05	731	.05	589	.06	355	.06										
		4.6	4.1	4.1	4.2														
	975	923	.06	813	.07	689	.07	521	.07										
		5.4	4.9	4.8	4.8														
	1050	994	.08	893	.08	782	.09	644	.09	439	.09								
		6.1	5.6	5.4	5.5														
	1075 *	1017	.08	919	.09	812	.10	681	.10	506	.10								
	6.3	5.9	5.6	5.7															
1175	1112	.11	1023	.12	926	.12	819	.13	687	.13	494	.13							
	7.3	6.9	6.5	6.5															
1275	1206	.14	1124	.15	1037	.15	944	.16	836	.17	702	.17	508	.16					
	8.3	7.9	7.6	7.5															
1375	1301	.17	1225	.18	1145	.19	1061	.20	969	.21	861	.21	730	.21					
	9.4	9.0	8.7	8.5															
1500	1419	.22	1350	.23	1279	.24	1202	.25	1124	.26	1036	.27	933	.27	662	.26			
	11.0	10.6	10.3	10.0											10.0				
1575	1490	.26	1424	.27	1357	.28	1284	.29	1211	.30	1131	.31	1044	.31	819	.32	295	.26	
	12.0	11.6	11.3	11.1											10.9	10.9	10.9		
1625 *	1538	.28	1473	.29	1409	.31	1339	.32	1268	.33	1193	.34	1112	.34	910	.35	584	.33	
	12.7	12.4	12.1	11.8											11.4	11.4	11.5		
ALL OTHER MOTORS	1140 *	1079	.10	987	.11	886	.11	775	.12	627	.12	375	.11						
		6.9	6.5	6.2	6.2														
	1725 *	1632	.34	1572	.35	1511	.36	1447	.37	1380	.39	1313	.40	1239	.40	1067	.41	850	.41
		14.1	13.7	13.4	13.2										12.7	12.7	12.7	12.7	

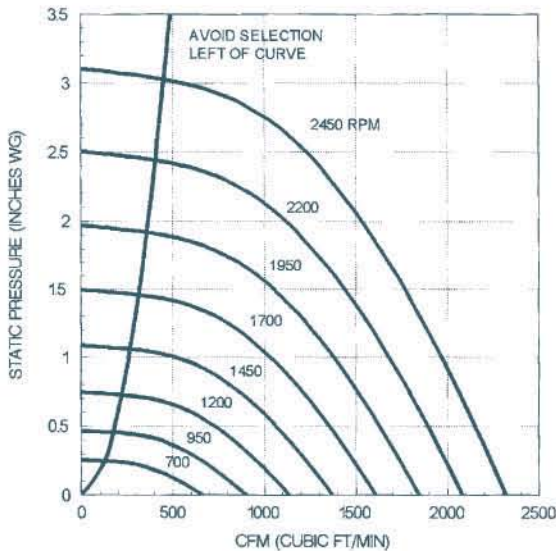
section 4  
page 79

Performance certified is for installation type A - free inlet, free outlet. Speed(RPM) is nominal. Performance is based on the actual speed of test. Base Unit as per Motor speed RPM range capable with solid state speed control. AMCA Seal for sound rating does not apply to units with speed controls. Performance ratings do not include the effects appurtenances(accessories).

The sound power level ratings shown are in decibels, referred to 10<sup>-12</sup> watts calculated as per AMCA standard 301. Values shown are for inlet L<sub>WA</sub> and L<sub>WI</sub> A sound power levels for installation Type A : free inlet, free outlet. Values shown are for installation Type A, free inlet hemispherical sone levels. The A-weighted sound ratings shown have been calculated per AMCA International standard 301.

### Performance curve

### Sound Data



RPM	SP	SOUND POWER RE 10 <sup>-12</sup> WATTS								
		OCTAVE BANDS								
		1	2	3	4	5	6	7	8	LWA
825	.000	54	60	55	52	52	52	44	37	57
	.125	58	58	53	50	50	49	42	35	55
	.375	58	57	52	49	49	49	45	40	55
1075	.000	61	65	64	59	57	59	53	45	64
	.250	65	64	62	57	55	56	50	44	62
	.500	65	63	60	56	55	56	52	48	62
1625	.000	76	73	78	72	68	67	66	59	75
	.500	75	77	76	70	66	64	63	57	74
	1.000	72	77	75	69	65	64	64	59	73

Values shown are for installation Type A, free inlet hemispherical fan sone levels. The sound ratings shown are loudness values in fan sones at 5 feet(1.5m) in a hemispherical free field calculated per AMCA Standard 301. Ratings do not include the effects of duct end correction.



### FCVS - 12

#### Performance Data

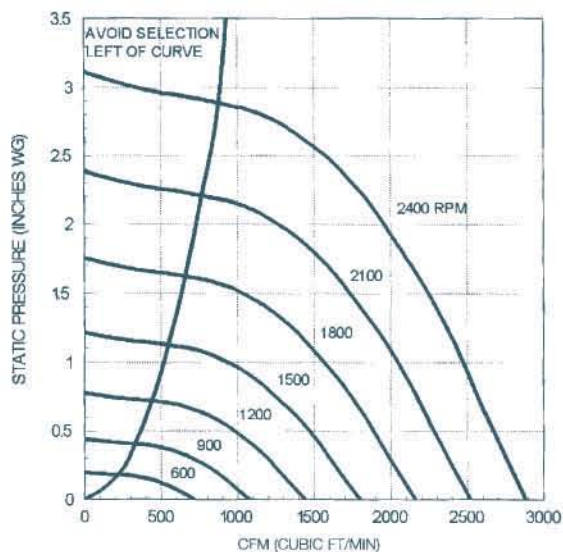
#### Direct driven

RPM Range - Motor HP	RPM	STATIC PRESSURE, INCHES W.G.																	
		.000		.125		.250		.375		.500		.625		.750		1.000		1.250	
		CFM	BHP	SONES	CFM	BHP	SONES	CFM	BHP	SONES	CFM	BHP	SONES	CFM	BHP	SONES	CFM	BHP	SONES
SPEED CONTROLLABLE MOTORS	550	661	.01	2.0	386	.02	1.6												
	700	841	.03	3.7	657	.03	3.2	186	.02	3.1									
	800	961	.04	5.0	804	.05	4.5	593	.05	4.2									
	825 *	991	.05	5.2	839	.05	4.8	642	.05	4.4									
	900	1081	.06	6.0	941	.06	5.6	782	.07	5.2	513	.06	5.2						
	975	1171	.08	6.9	1042	.08	6.5	906	.09	6.1	716	.09	6.0						
	1050	1261	.09	7.9	1141	.10	7.4	1023	.11	7.1	862	.11	6.9	631	.10	6.9			
	1075 *	1291	.10	8.2	1173	.11	7.8	1059	.11	7.4	910	.12	7.2	702	.11	7.2			
	1175	1411	.13	9.6	1303	.14	9.2	1198	.15	8.8	1078	.15	8.6	924	.15	8.5	708	.15	8.5
	1275	1532	.17	11.2	1431	.18	10.8	1334	.18	10.4	1238	.19	10.0	1110	.19	9.9	957	.20	9.8
	1375	1652	.21	12.9	1559	.22	12.5	1468	.23	12.1	1379	.24	11.7	1275	.24	11.5	1150	.24	11.5
	1500	1800	.27	15.1	1716	.28	14.8	1633	.29	14.4	1551	.30	14.1	1469	.31	13.9	1364	.31	13.7
	1575	1892	.32	16.5	1810	.33	16.3	1731	.34	16.0	1652	.35	15.5	1574	.36	15.3	1486	.36	15.2
1625 *	1952	.35	17.3	1873	.36	17.1	1795	.37	16.8	1719	.38	16.3	1644	.39	16.1	1565	.40	15.9	
ALL OTHER MOTORS	1140 *	1369	.12	9.1	1258	.13	8.7	1150	.13	8.3	1021	.14	8.1	855	.14	8.0	573	.12	8.0
	1725 *	2072	.42	18.7	1997	.43	18.4	1924	.44	18.1	1852	.45	17.7	1781	.46	17.4	1710	.47	17.2

Performance certified is for installation type A - free inlet, free outlet. Speed (RPM) is nominal. Performance is based on the actual speed of test. Base Unit as per Motor speed RPM range capable with solid state speed control. AMCA Seal for sound rating does not apply to units with speed controls. Performance ratings do not include the effects of appurtenances (accessories)

The sound power level ratings shown are in decibels, referred to 10<sup>-12</sup> watts calculated as per AMCA standard 301. Values shown are for inlet L<sub>wi</sub> and L<sub>wi</sub> A sound power levels for installation Type A : free inlet, free outlet. Values shown are for installation Type A, free inlet hemispherical sone levels. The A-weighted sound ratings shown have been calculated per AMCA International standard 301.

#### Performance curve



#### Sound Data

RPM	SP	SOUND POWER RE 10 <sup>-12</sup> WATTS								
		OCTAVE BANDS								
		1	2	3	4	5	6	7	8	LWA
825	.000	65	64	60	54	59	55	45	35	62
	.125	65	63	59	53	57	51	45	38	60
	.375	67	61	59	51	52	51	46	42	58
1075	.000	68	72	69	63	63	62	55	45	69
	.250	68	72	68	62	60	59	53	47	67
	.500	63	71	68	61	58	57	54	48	66
1625	.000	72	85	82	77	70	74	69	60	80
	.500	71	85	81	76	68	72	66	60	79
	1.000	73	86	81	76	67	68	66	60	78

Values shown are for installation Type A, free inlet hemispherical fan sone levels. The sound ratings shown are loudness values in fan sones at 5 feet (1.5m) in a hemispherical free field calculated per AMCA Standard 301. Ratings do not include the effects of duct end correction.

section 4  
page 80



## FCVS - 15

### Performance Data

Direct driven

RPM Range - Motor HP	RPM	STATIC PRESSURE, INCHES W.G.																		
		.000		.125		.250		.375		.500		.625		.750		1.000		1.250		
		CFM	BHP	CFM	BHP	CFM	BHP	CFM	BHP	CFM	BHP	CFM	BHP	CFM	BHP	CFM	BHP	CFM	BHP	
SPEED CONTROLLABLE MOTORS	450	993	.02	655	.03															
	500	1103	.03	815	.04															
	550	1214	.04	961	.05	441	.04													
	600	1324	.06	1098	.06	796	.07													
	650	1434	.07	1230	.08	973	.08													
	700	1545	.09	1359	.10	1132	.10	787	.10											
	750	1655	.11	1485	.12	1279	.13	1029	.12											
	800	1765	.14	1606	.15	1422	.15	1206	.16	854	.15									
	825 *	1820	.15	1666	.16	1490	.17	1288	.17	1002	.17									
	875	1931	.18	1785	.19	1623	.20	1439	.20	1221	.21	778	.18							
	925	2041	.21	1904	.22	1755	.23	1585	.24	1396	.24	1135	.24							
	975	2151	.25	2021	.26	1884	.27	1729	.28	1555	.28	1353	.28	1002	.26					
1025	2262	.29	2138	.30	2011	.31	1864	.32	1704	.32	1529	.33	1307	.33						
1075 *	2372	.33	2254	.34	2135	.35	1997	.36	1850	.37	1693	.38	1507	.38						
ALL OTHER MOTORS	1140 *	2525	.37	2410	.38	2292	.39	2155	.40	2006	.41	1842	.42	1666	.42	1084	.38			

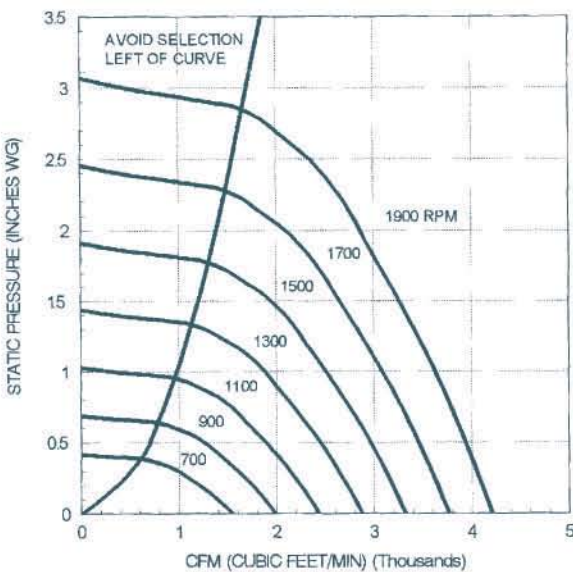
section 4  
page 81

Performance certified is for installation type A - free inlet, free outlet. Speed(RPM) is nominal. Performance is based on the actual speed of test. Base Unit as per Motor speed RPM range capable with solid state speed control. AMCA Seal for sound rating does not apply to units with speed controls. Performance ratings do not include the effects of appurtenances(accessories)

The sound power level ratings shown are in decibels, referred to  $10^{-12}$  watts calculated as per AMCA standard 301. Values shown are for inlet  $L_{w}$  and  $L_{wi}$  A sound power levels for installation Type A : free inlet, free outlet. Values shown are for installation Type A, free inlet hemispherical sone levels. The A-weighted sound ratings shown have been calculated per AMCA International standard 301.

### Performance curve

### Sound Data



RPM	SP	SOUND POWER RE $10^{-12}$ WATTS								
		OCTAVE BANDS								
		1	2	3	4	5	6	7	8	LWA
825	.000	74	76	73	68	63	60	54	46	70
	.125	73	76	73	68	64	60	54	47	70
	.250	73	75	72	69	64	60	54	49	71
	.500	73	74	72	69	66	61	56	51	71
	.750	73	74	72	69	66	61	57	51	71
1075	.000	81	81	81	76	70	68	62	55	78
	.250	80	81	80	76	71	67	62	56	78
	.500	80	80	80	77	72	67	63	57	78
	.750	81	80	80	77	73	68	64	58	78
	1.000	81	79	79	77	73	69	64	59	79

Values shown are for installation Type A, free inlet hemispherical fan sone levels. The sound ratings shown are loudness values in fan sones at 5 feet (1.5m) in a hemispherical free field calculated per AMCA Standard 301. Ratings do not include the effects of duct end correction.

Performance certified is for installation type A-free inlet, free outlet. Performance ratings (BHP) does not include transmission losses. Performance ratings do not include the effects of appurtenances(accessories). The sound ratings shown are loudness values in fan sones at 5 feet (1.5m) in a hemispherical free field calculated per AMCA standard 301.

## FCVS - 18

### Performance Data

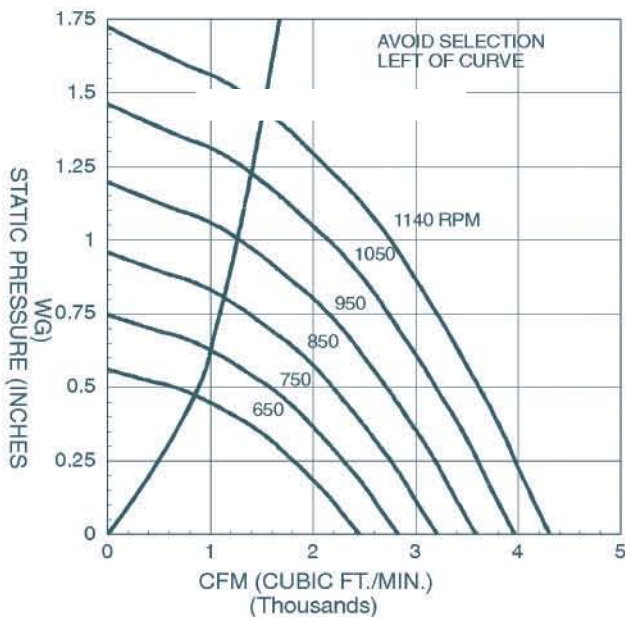
Direct driven

RPM Range - Motor HP	RPM	STATIC PRESSURE, INCHES W.G.																		
		.000		.125		.250		.375		.500		.625		.750		1.000		1.250		
		CFM	BHP	CFM	BHP	CFM	BHP	CFM	BHP	CFM	BHP	CFM	BHP	CFM	BHP	CFM	BHP	CFM	BHP	
SPEED CONTROLLABLE MOTORS	M4+ 1/3	600	2266	.14	1942	.15	1538	.14	955	.12										
		650	2455	.18	2163	.19	1807	.18	1362	.17	650	.13								
	R3+ 3/4	700	2644	.23	2374	.23	2055	.23	1685	.23	1166	.20								
		750	2833	.28	2580	.29	2296	.29	1969	.28	1569	.26	999	.22						
	ALL OTHER MOTORS	800	3022	.34	2784	.35	2528	.35	2232	.34	1898	.34	1455	.31	843	.24				
		825 *	3116	.37	2885	.38	2641	.38	2357	.38	2042	.37	1651	.35	1134	.30				
		875	3305	.44	3086	.45	2865	.46	2602	.45	2323	.45	2008	.44	1582	.40				
		925	3494	.53	3286	.53	3084	.54	2842	.54	2584	.53	2298	.52	1970	.50	988	.38		
		975	3683	.62	3486	.62	3296	.63	3075	.63	2832	.63	2579	.62	2296	.61	1517	.52		
		1025	3871	.72	3685	.72	3502	.73	3301	.73	3076	.73	2843	.72	2584	.71	1945	.65	979	.50
		1075 *	4060	.82	3882	.83	3767	.84	3523	.85	3315	.85	3092	.84	2864	.83	2327	.79	1561	.68
1140 *		4306	.98	4138	.99	3972	1.00	3811	1.01	3615	1.01	3410	1.01	3200	1.00	2734	.97	2128	.90	

Performance certified is for installation type A - free inlet, free outlet. Speed (RPM) is nominal. Performance is based on the actual speed of test. Base Unit as per Motor speed RPM range capable with solid state speed control. AMCA Seal for sound rating does not apply to units with speed controls. Performance ratings do not include the effects of appurtenances (accessories).

The sound power level ratings shown are in decibels, referred to  $10^{-12}$  watts calculated as per AMCA standard 301. Values shown are for inlet  $L_{wi}$  and  $L_{wiA}$  sound power levels for installation Type A: free inlet, free outlet. Values shown are for installation Type A, free inlet hemispherical sound levels. The A-weighted sound ratings shown have been calculated per AMCA International standard 301.

### Performance curve



### Sound Data

RPM	SP	SOUND POWER RE $10^{-12}$ WATTS								
		OCTAVE BANDS								
		1	2	3	4	5	6	7	8	LWA
825	.000	75	77	71	68	68	65	60	54	73
	.125	74	77	70	67	67	64	58	53	71
	.250	74	76	69	66	65	62	57	51	70
	.500	72	74	67	64	63	60	56	52	68
	.750	71	73	66	62	62	60	56	52	67
1075	.000	83	83	81	75	74	72	67	62	80
	.250	82	83	80	74	73	70	66	60	78
	.500	81	82	79	72	71	69	64	59	77
	.750	80	81	78	71	69	68	64	59	76
	1.000	79	79	77	70	68	66	63	59	75

Values shown are for installation Type A, free inlet hemispherical fan sound levels. The sound ratings shown are loudness values in fan sones at 5 feet (1.5m) in a hemispherical free field calculated per AMCA Standard 301. Ratings do not include the effects of duct end correction.

Performance certified is for installation type A-free inlet, free outlet. Performance ratings (BHP) does not include transmission losses. Performance ratings do not include the effects of appurtenances (accessories). The sound ratings shown are loudness values in fan sones at 5 feet (1.5m) in a hemispherical free field calculated per AMCA standard 301.



FCVS



DYN AIR®

FCVS - 06

Performance Data

Belt driven

RPM Range - Motor HP		STATIC PRESSURE, INCHES W. G.											
K1 (1/16)	RPM	.000	.125	.250	.375	.500	.625	.750	1.000	1.250	1.500	1.750	2.000
		CFM SONES	BHP SONES	CFM SONES	BHP SONES	CFM SONES	BHP SONES	CFM SONES	BHP SONES	CFM SONES	BHP SONES	CFM SONES	BHP SONES
K2 (1/16)	600	225 .01 .5											
	700	263 .01 1.0	119 .01 1.3										
K3 (1/16)	800	300 .01 1.6	193 .01 1.7										
	900	338 .01 2.1	248 .02 2.1										
K4 (1/16)	1000	376 .02 2.8	297 .02 2.7	179 .02 3.5									
	1100	413 .02 3.5	343 .03 3.3	253 .03 3.7									
K5 (1/16)	1200	451 .03 4.1	387 .04 3.9	314 .04 4.0	194 .04 5.0								
	1300	488 .04 4.7	429 .04 4.6	365 .05 4.5	278 .05 5.3								
L1 (1/4)	1400	526 .05 5.4	471 .05 5.3	414 .06 5.2	343 .06 5.6	239 .06 6.5							
	1500	563 .06 6.1	513 .07 6.0	461 .07 5.9	400 .07 6.0	320 .08 6.8							
M1 (1/3)	1550	582 .07 6.5	533 .07 6.3	483 .08 6.2	426 .08 6.2	354 .08 7.0	252 .09 7.9						
	1600	601 .07 6.8	553 .08 6.7	505 .08 6.6	451 .09 6.5	385 .09 7.2	300 .09 8.0						
M1 (1/3)	1650	620 .08 7.2	574 .09 7.1	527 .09 7.0	475 .10 6.9	416 .10 7.4	338 .10 8.2	218 .10 9.2					
	1700	639 .09 7.6	594 .09 7.5	548 .10 7.4	500 .10 7.3	446 .11 7.6	375 .11 8.4	278 .11 9.3					
M1 (1/3)	1750	657 .10 8.0	614 .10 7.9	570 .11 7.8	524 .11 7.7	471 .12 7.8	407 .12 8.6	327 .12 9.5					
	1800	676 .10 8.4	634 .11 8.3	591 .12 8.1	548 .12 8.1	496 .13 8.0	438 .13 8.8	365 .13 9.7					
M1 (1/3)	1850	695 .11 8.8	654 .12 8.7	612 .13 8.6	570 .13 8.5	521 .14 8.4	468 .14 9.0	401 .14 9.9					
	1900	714 .12 9.2	674 .13 9.1	633 .14 9.0	592 .14 8.9	546 .15 8.8	498 .15 9.3	435 .15 10.1					
M1 (1/3)	1950	732 .13 9.6	693 .14 9.5	654 .15 9.4	614 .15 9.3	571 .16 9.2	523 .16 9.5	466 .17 10.3	308 .17 12.2				
	2000	751 .14 10.0	713 .15 9.9	675 .16 9.8	636 .16 9.8	595 .17 9.7	549 .18 9.8	497 .18 10.5	357 .18 12.4				
M1 (1/3)	2050	770 .15 10.5	733 .16 10.4	696 .17 10.3	658 .18 10.2	619 .18 10.1	574 .19 10.1	527 .19 10.8	400 .20 12.6				
	2100	789 .16 10.9	753 .17 10.9	716 .18 10.8	679 .19 10.7	642 .19 10.6	599 .20 10.5	555 .21 11.0	437 .21 12.8				
M1 (1/3)	2150	808 .18 11.4	772 .18 11.3	737 .19 11.2	701 .20 11.2	664 .21 11.1	623 .21 11.0	580 .22 11.3	474 .23 13.0	307 .23 15.0			
	2200	826 .19 12.0	792 .20 11.8	757 .21 11.7	722 .21 11.7	686 .22 11.6	648 .23 11.5	606 .23 11.5	506 .24 13.3	364 .24 15.2			
M1 (1/3)	2250	845 .20 12.4	811 .21 12.3	777 .22 12.2	743 .23 12.2	708 .23 12.1	672 .24 12.0	631 .25 11.9	537 .26 13.5	413 .26 15.3			
	2300	864 .22 12.8	831 .23 12.8	798 .23 12.7	764 .24 12.6	730 .25 12.6	696 .26 12.5	656 .26 12.4	568 .27 13.7	453 .28 15.5			
M1 (1/3)	2350	883 .23 13.3	850 .24 13.2	818 .25 13.1	785 .26 13.1	752 .26 13.0	719 .27 13.0	680 .28 12.9	598 .29 13.9	490 .30 15.7	330 .30 17.7		
	2400	901 .25 13.7	870 .25 13.6	838 .26 13.6	806 .27 13.5	774 .28 13.5	741 .29 13.4	704 .29 13.4	628 .31 14.1	527 .31 15.8	389 .32 17.8		
M1 (1/3)	2450	920 .26 14.1	889 .27 14.1	858 .28 14.0	827 .29 14.0	795 .30 13.9	763 .30 13.9	729 .31 13.9	654 .33 14.4	560 .33 16.0	438 .34 17.9		
	2500	939 .28 14.6	909 .29 14.5	878 .30 14.5	848 .31 14.5	816 .31 14.4	785 .32 14.4	753 .33 14.4	679 .34 14.7	591 .35 16.2	482 .36 18.0		

section 4  
page 83

Performance certified is for installation type A-free inlet,free outlet.Performance ratings (BHP) does not include transmission losses.Performance ratings do not include the effects of appurtenances(accessories).The sound ratings shown are loudness values in fan sones at 5 feet (1.5m) in a hemispherical free field calculated per AMCA standard 301.Values shown are for installation type A,free inlet hemispherical sone levels.

FCVS - 08

Performance Data

Belt driven

RPM Range - Motor HP		STATIC PRESSURE, INCHES W. G.												
K1 (1/16)	RPM	.000	.125	.250	.375	.500	.625	.750	1.000	1.250	1.500	1.750	2.000	
		CFM SONES	BHP SONES	CFM SONES	BHP SONES	CFM SONES	BHP SONES	CFM SONES	BHP SONES	CFM SONES	BHP SONES	CFM SONES	BHP SONES	CFM SONES
K2 (1/16)	650	359	.01	154	.01									
	750	415	.01	267	.01									
K3 (1/16)	850	470	.02	347	.02									
	950	525	.02	421	.03	266	.03							
K4 (1/16)	1050	580	.03	488	.04	368	.04							
	1150	636	.04	552	.05	452	.05	305	.05					
L1 (1/4)	1250	691	.05	614	.06	527	.06	420	.06					
	1350	746	.07	676	.07	600	.08	505	.08	385	.08			
M1 (1/3)	1450	802	.08	736	.09	667	.09	584	.10	490	.10	340	.10	
	1500	829	.09	766	.10	700	.10	622	.11	533	.11	417	.11	
P1 (1/2)	1550	857	.10	795	.11	732	.11	660	.12	576	.12	474	.12	280
	1600	884	.11	825	.12	764	.12	696	.13	617	.13	527	.13	390
	1650	912	.12	854	.13	795	.13	733	.14	656	.14	573	.15	468
	1700	940	.13	884	.14	827	.14	768	.15	694	.16	616	.16	522
	1750	967	.14	913	.15	858	.16	801	.16	732	.17	658	.17	574
	1800	995	.15	942	.16	889	.17	833	.18	769	.18	699	.19	621
	1850	1023	.17	971	.18	920	.18	865	.19	806	.20	737	.20	664
	1900	1050	.18	1000	.19	950	.20	897	.21	842	.21	776	.22	706
	1950	1078	.20	1029	.21	981	.21	929	.22	878	.23	813	.23	748
	2000	1106	.21	1057	.22	1011	.23	961	.24	911	.25	851	.25	787
	2050	1133	.23	1086	.24	1041	.25	992	.25	944	.26	888	.27	826
	2100	1161	.25	1115	.25	1070	.26	1024	.27	976	.28	924	.29	864
	2150	1189	.26	1143	.27	1100	.28	1055	.29	1008	.30	960	.31	901
	2200	1216	.28	1172	.29	1130	.30	1086	.31	1040	.32	995	.33	939
	2250	1244	.30	1201	.31	1159	.32	1116	.33	1072	.34	1028	.35	975
	2300	1271	.32	1229	.33	1189	.34	1147	.35	1104	.36	1060	.37	1012
	2350	1299	.34	1258	.35	1218	.36	1178	.37	1135	.38	1093	.39	1048
	2400	1327	.37	1286	.38	1247	.39	1208	.40	1166	.41	1125	.42	1083
	2450	1354	.39	1314	.40	1276	.41	1238	.42	1198	.43	1157	.44	1116
	2500	1382	.41	1343	.43	1305	.44	1268	.45	1229	.46	1189	.47	1149

Performance certified is for installation type A-free inlet,free outlet.Performance ratings (BHP) does not include transmission losses.Performance ratings do not include the effects of appurtenances(accessories).The sound ratings shown are loudness values in fan sones at 5 feet (1.5m) in a hemispherical free field calculated per AMCA standard 301.Values shown are for installation type A, free inlet hemispherical sone levels.



FCVS



DYN AIR®

FCVS - 10

Performance Data

Belt driven

RPM Range - Motor HP		STATIC PRESSURE, INCHES W. G.											
K1 (1/16)	RPM	.000	.250	.500	.750	1.000	1.250	1.500	1.750	2.000	2.250	2.500	2.750
		CFM BHP SONES	CFM BHP SONES	CFM BHP SONES	CFM BHP SONES	CFM BHP SONES	CFM BHP SONES	CFM BHP SONES	CFM BHP SONES	CFM BHP SONES	CFM BHP SONES	CFM BHP SONES	CFM BHP SONES
K2 (1/16)	650	616 .02 2.4											
	750	711 .03 3.4	331 .03 3.2										
L1 (1/4)	850	805 .04 4.3	515 .05 4.0										
	950	900 .06 5.5	657 .07 4.8										
M1 (1/3) P1 (1/2)	1050	995 .08 6.7	782 .09 5.9	439 .09 6.0									
	1150	1090 .10 7.0	897 .12 6.3	645 .12 6.3									
R1 (3/4)	1200	1136 .11 7.5	954 .13 6.7	725 .14 6.8									
	1250	1184 .13 8.0	1009 .15 7.3	800 .16 7.2	416 .15 7.3								
S1 (1) T1 (1-1/2)	1300	1230 .14 8.5	1064 .16 7.8	875 .18 7.7	576 .17 7.8								
	1350	1279 .16 9.0	1118 .18 8.3	937 .20 8.2	684 .20 8.3								
S1 (1) T1 (1-1/2)	1400	1327 .18 9.6	1172 .20 8.9	1001 .22 8.7	775 .22 8.8								
	1450	1374 .20 10.2	1226 .22 9.5	1063 .24 9.2	858 .25 9.3	508 .23 9.4							
S1 (1) T1 (1-1/2)	1500	1421 .22 10.8	1279 .24 10.1	1124 .26 9.8	933 .27 9.8	662 .26 9.9							
	1550	1469 .24 11.5	1331 .27 10.8	1182 .29 10.3	1007 .30 10.4	773 .30 10.5							
S1 (1) T1 (1-1/2)	1600	1516 .27 12.2	1383 .29 11.5	1239 .31 11.0	1080 .33 11.0	865 .33 11.1	480 .30 11.1						
	1650	1563 .29 12.9	1435 .32 12.2	1296 .34 11.5	1144 .36 11.6	954 .36 11.6	667 .35 11.7						
S1 (1) T1 (1-1/2)	1700	1611 .32 13.6	1486 .35 12.9	1352 .37 12.3	1207 .39 12.2	1030 .40 12.2	801 .39 12.3						
	1750	1658 .35 14.3	1536 .38 13.6	1407 .40 13.0	1270 .42 12.9	1105 .43 12.9	896 .43 12.9	514 .40 13.0					
S1 (1) T1 (1-1/2)	1800	1706 .38 15.1	1587 .41 14.3	1462 .43 13.8	1332 .45 13.6	1178 .47 13.5	987 .47 13.5	710 .45 13.6					
	1850	1753 .42 15.8	1637 .44 15.1	1517 .47 14.5	1393 .49 14.3	1250 .51 14.2	1075 .51 14.2	845 .50 14.2					
S1 (1) T1 (1-1/2)	1900	1800 .45 16.6	1688 .48 15.9	1571 .50 15.3	1450 .53 14.9	1314 .55 14.9	1151 .55 14.8	950 .55 14.8	596 .51 14.9				
	1950	1848 .49 17.4	1738 .52 16.7	1625 .54 16.1	1507 .57 15.7	1378 .59 15.6	1225 .60 15.5	1042 .60 15.5	783 .58 15.5				
S1 (1) T1 (1-1/2)	2000	1895 .53 18.0	1788 .56 17.4	1679 .58 16.8	1564 .61 16.3	1440 .63 16.2	1299 .64 16.1	1132 .65 16.1	918 .63 16.1	446 .55 16.2			
	2050	1942 .57 18.7	1838 .60 18.1	1733 .63 17.5	1620 .65 17.0	1502 .67 16.9	1374 .69 16.8	1213 .70 16.7	1022 .69 16.7	716 .66 16.7			
S1 (1) T1 (1-1/2)	2100	1990 .61 19.4	1887 .64 18.8	1786 .67 18.2	1676 .70 17.7	1564 .72 17.5	1438 .74 17.4	1288 .75 17.3	1114 .74 17.3	878 .73 17.3			
	2150	2037 .65 20	1937 .69 19.5	1839 .72 18.9	1731 .74 18.4	1625 .77 18.2	1502 .79 18.1	1363 .80 18.0	1204 .80 17.9	1013 .78 17.9	658 .74 18.0		
S1 (1) T1 (1-1/2)	2200	2085 .70 21	1987 .73 20	1891 .77 19.6	1786 .79 19.1	1681 .82 18.9	1565 .84 18.8	1436 .86 18.6	1289 .86 18.5	1108 .86 18.5	857 .83 18.5		
	2250	2132 .75 21	2036 .78 21	1943 .82 20	1841 .84 19.9	1738 .87 19.7	1628 .89 19.5	1510 .92 19.3	1364 .92 19.2	1200 .92 19.1	993 .89 19.1	601 .84 19.2	
S1 (1) T1 (1-1/2)	2300	2227 .85 23	2135 .89 22	2046 .92 22	1950 .95 21	1851 .98 21	1751 1.01 21	1639 1.03 21	1513 1.05 21	1375 1.05 20	1206 1.05 20	988 1.02 20	563 .93 21
	2450	2321 .97 24	2233 1.00 24	2148 1.04 23	2057 2.07 23	1963 1.10 23	1868 1.13 23	1765 1.16 22	1657 1.18 22	1525 1.19 22	1387 1.19 22	1221 1.18 22	996 1.15 22

section 4  
page 85

Performance certified is for installation type A-free inlet,free outlet.Performance ratings (BHP) does not include transmission losses.Performance ratings do not include the effects of appurtenances(accessories).The sound ratings shown are loudness values in fan sones at 5 feet (1.5m) in a hemispherical free field calculated per AMCA standard 301. Values shown are for installation type A,free inlet hemispherical sone levels.

### FCVS - 12

#### Performance Data

Belt driven

RPM Range - Motor HP		STATIC PRESSURE, INCHES W. G.											
K1 (1/6)	RPM	.000	.250	.500	.750	1.000	1.250	1.500	1.750	2.000	2.250	2.500	2.750
		CFM BHP SONES	CFM BHP SONES	CFM BHP SONES	CFM BHP SONES	CFM BHP SONES	CFM BHP SONES	CFM BHP SONES	CFM BHP SONES	CFM BHP SONES	CFM BHP SONES	CFM BHP SONES	CFM BHP SONES
K2 (1/6)	550	660 .01 2.0											
	650	780 .02 3.1											
K3 (1/6)	750	900 .03 4.3	468 .04 3.6										
	850	1020 .05 5.5	690 .06 4.7										
L1 (1/4)	950	1140 .07 6.6	865 .08 5.8										
	1050	1260 .09 7.9	1023 .11 7.1	631 .10 6.9									
M1 (1/3)	1100	1321 .11 8.6	1094 .12 7.7	771 .12 7.5									
	1200	1442 .14 10.0	1232 .16 9.2	862 .16 8.8									
P1 (1/2)	1250	1500 .15 10.8	1301 .17 9.9	1067 .18 9.5	633 .16 9.5								
	1300	1562 .18 11.6	1368 .20 10.8	1152 .21 10.3	813 .20 10.3								
R1 (3/4)	1350	1620 .20 12.4	1435 .22 11.6	1234 .23 11.0	952 .23 11.1								
	1450	1740 .25 14.1	1567 .27 13.5	1395 .28 12.9	1153 .29 12.9	758 .26 13.0							
S1 (1)	1500	1800 .27 15.1	1633 .29 14.4	1469 .31 13.9	1248 .32 13.7	935 .31 13.9							
	1550	1860 .30 16.0	1698 .32 15.5	1539 .34 14.9	1340 .35 14.6	1075 .35 14.8							
T1 (1-1/2)	1600	1920 .33 17.0	1763 .36 16.4	1609 .37 15.8	1423 .38 15.4	1185 .39 15.6	743 .33 15.8						
	1650	1980 .37 17.6	1828 .39 17.1	1678 .41 16.4	1506 .42 16.1	1284 .42 16.1	963 .40 16.2						
T1 (1-1/2)	1700	2040 .40 18.3	1892 .42 17.8	1747 .44 17.0	1587 .46 16.7	1380 .46 16.6	1110 .45 16.8						
	1750	2100 .44 19.1	1956 .46 18.5	1815 .48 17.9	1667 .50 17.5	1476 .50 17.3	1249 .48 17.5	792 .43 17.6					
T1 (1-1/2)	1800	2160 .47 19.9	2020 .50 19.3	1883 .52 18.9	1746 .54 18.5	1564 .55 18.2	1347 .55 18.2	1025 .51 18.2					
	1900	2280 .56 22	2148 .58 21	2017 .61 21	1887 .63 20	1730 .64 20	1542 .64 19.9	1321 .64 19.9	929 .57 19.8				
T1 (1-1/2)	1950	2340 .60 23	2211 .63 22	2084 .65 22	1957 .67 21	1811 .69 21	1637 .70 21	1432 .70 21	1131 .66 21				
	2000	2400 .65 24	2274 .68 23	2150 .70 23	2027 .72 22	1892 .74 22	1728 .75 22	1531 .75 22	1281 .73 22	745 .59 22			
T1 (1-1/2)	2050	2460 .70 25	2337 .73 24	2216 .75 24	2095 .78 23	1971 .80 23	1812 .80 23	1629 .81 23	1421 .81 23	1069 .73 23			
	2100	2520 .75 26	2400 .78 25	2281 .81 25	2164 .83 24	2047 .85 24	1894 .86 24	1725 .87 24	1534 .87 24	1262 .83 24	559 .60 24		
T1 (1-1/2)	2200	2640 .87 28	2526 .90 27	2412 .93 27	2300 .95 26	2188 .97 26	2057 .99 26	1908 1.00 26	1732 1.00 26	1542 1.00 26	1238 .93 26		
	2250	2700 .93 29	2588 .96 28	2477 .99 28	2367 1.01 27	2258 1.04 27	2137 1.05 27	1992 1.06 27	1828 1.07 27	1650 1.07 27	1403 1.03 27	946 .89 27	
T1 (1-1/2)	2300	2760 .99 30	2651 1.02 29	2542 1.05 29	2434 1.08 29	2327 1.10 28	2217 1.12 28	2074 1.13 28	1924 1.14 28	1750 1.14 28	1543 1.13 28	1228 1.05 28	
	2350	2820 1.12 31	2713 1.09 31	2606 1.12 30	2501 1.15 30	2396 1.17 29	2291 1.19 29	2156 1.21 29	2017 1.22 29	1848 1.22 29	1677 1.22 29	1417 1.17 29	910 .98 29
T1 (1-1/2)	2400	2880 1.12 32	2775 1.16 32	2671 1.19 31	2567 1.22 31	2465 1.24 31	2362 1.27 30	2237 1.28 30	2101 1.29 30	1944 1.30 30	1778 1.30 30	1558 1.27 30	1238 1.17 30
	2450	2940 1.20 34	2837 1.23 33	2735 1.26 32	2634 1.29 32	2533 1.32 32	2432 1.34 32	2318 1.36 31	2184 1.37 31	2040 1.38 31	1876 1.38 31	1697 1.37 31	1440 1.31 31

section 4  
page 86

Performance certified is for installation type A-free inlet,free outlet.Performance ratings (BHP) does not include transmission losses.Performance ratings do not include the effects of appurtenances(accessories).The sound ratings shown are loudness values in fan sones at 5 feet (1.5m) in a hemispherical free field calculated per AMCA standard 301. Values shown are for installation type A,free inlet hemispherical sone levels.



FCVS - 15

Performance Data

Belt driven

RPM Range - Motor HP		STATIC PRESSURE, INCHES W. G.											
K1 (1/16)	RPM	.000	.250	.500	.750	1.000	1.250	1.500	1.750	2.000	2.250	2.500	2.750
		CFM BHP SONES	CFM BHP SONES	CFM BHP SONES	CFM BHP SONES	CFM BHP SONES	CFM BHP SONES	CFM BHP SONES	CFM BHP SONES	CFM BHP SONES	CFM BHP SONES	CFM BHP SONES	CFM BHP SONES
K2 (1/16)	550	1214 .04 4.1	441 .04 4.6										
	600	1324 .06 5.0	796 .07 5.3										
L1 (1/14)	650	1434 .07 5.9	973 .08 6.1										
	700	1545 .09 6.8	1132 .10 6.9										
M1 (1/13)	750	1655 .11 7.7	1279 .13 7.8										
	800	1765 .14 8.7	1422 .15 8.7	854 .15 9.1									
P1 (1/12)	850	1876 .16 9.8	1557 .18 9.7	1131 .19 10.0									
	900	1986 .19 10.8	1689 .21 10.7	1309 .22 10.9									
R1 (3/4)	950	2096 .23 11.9	1819 .25 11.7	1480 .26 11.9	713 .22 12.1								
	1000	2207 .27 13.1	1948 .29 12.8	1630 .30 12.9	1170 .30 13.3								
S1 (1)	1050	2317 .31 14.2	2074 .33 14.0	1778 .35 13.9	1418 .35 14.3								
	1100	2427 .35 15.5	2195 .38 15.2	1922 .40 15.1	1595 .41 15.3	882 .35 15.6							
T1 (1-1/2)	1150	2538 .40 16.8	2316 .43 16.6	2062 .45 16.4	1770 .47 16.5	1324 .45 16.8							
	1200	2648 .46 18.1	2436 .49 17.9	2196 .51 17.7	1923 .53 17.8	1593 .53 18.0							
V1 (2)	1250	2758 .52 19.4	2555 .55 19.2	2329 .57 19.0	2072 .59 19.1	1771 .60 19.3	1215 .54 19.5						
	1300	2868 .58 21	2673 .61 21	2460 .64 20	2218 .66 20	1946 .67 20	1560 .66 21						
V1 (2)	1400	3089 .73 24	2908 .76 23	2718 .79 23	2503 .82 23	2263 .83 23	1989 .84 23	1575 .81 23					
	1450	3199 .81 25	3024 .84 25	2846 .87 25	2637 .90 25	2412 .92 25	2164 .93 25	1851 .93 25	1067 .76 25				
V1 (2)	1500	3310 .90 27	3141 .93 26	2970 .96 26	2771 .99 26	2558 1.01 26	2333 1.03 26	2058 1.03 26	1627 .97 26				
	1550	3420 .99 28	3257 1.02 28	3091 1.06 28	2903 1.09 28	2702 1.11 28	2485 1.13 28	2236 1.14 28	1911 1.13 28	1138 .93 28			
V1 (2)	1600	3530 1.09 30	3372 1.12 30	3212 1.16 30	3033 1.19 29	2845 1.22 29	2634 1.24 29	2411 1.25 29	2152 1.26 29	1707 1.18 29			
	1650	3641 1.19 32	3487 1.23 31	3332 1.27 31	3163 1.30 31	2980 1.33 31	2781 1.35 31	2577 1.37 31	2330 1.38 31	2004 1.35 31	1322 1.16 31		
V1 (2)	1700	3751 1.31 33	3602 1.34 33	3452 1.38 33	3292 1.42 33	3114 1.45 33	2926 1.47 33	2728 1.49 32	2506 1.50 32	2263 1.51 32	1837 1.42 32		
	1725	3806 1.36 34	3660 1.40 34	3511 1.44 34	3356 1.48 33	3181 1.51 33	2998 1.54 33	2803 1.56 33	2593 1.57 33	2352 1.57 33	1986 1.52 33	1118 1.22 33	
V1 (2)	1750	3861 1.43 35	3717 1.46 34	3571 1.50 34	3419 1.54 34	3247 1.57 34	3070 1.60 34	2877 1.62 34	2681 1.64 34	2441 1.64 34	2125 1.61 34	1557 1.45 34	
	1800	3972 1.55 36	3831 1.59 36	3689 1.63 36	3546 1.67 36	3379 1.70 35	3211 1.73 35	3024 1.76 35	2837 1.78 35	2618 1.79 35	2389 1.79 35	1993 1.70 35	985 1.31 36
V1 (2)	1850	4082 1.68 38	3946 1.72 37	3807 1.77 37	3669 1.81 37	3509 1.84 37	3346 1.87 37	3170 1.90 37	2988 1.92 37	2793 1.94 37	2567 1.94 37	2270 1.91 37	1766 1.74 37
	1900	4192 1.82 39	4060 1.87 39	3925 1.91 39	3790 1.95 39	3639 1.99 38	3480 2.02 38	3314 2.05 38	3137 2.07 38	2959 2.10 38	2745 2.10 38	2528 2.10 39	2157 2.02 39
V1 (2)	1950	4303 1.97 41	4174 2.01 41	4042 2.06 41	3911 2.10 40	3767 2.14 40	3613 2.17 40	3458 2.21 40	3284 2.23 40	3111 2.26 40	2920 2.27 40	2706 2.27 40	2434 2.25 40
	1975	4358 2.05 42	4230 2.09 42	4101 2.14 42	3971 2.18 41	3832 2.22 41	3679 2.25 41	3526 2.29 41	3356 2.31 41	3186 2.34 41	3008 2.36 41	2795 2.36 41	2570 2.36 41

section 4  
page 87

Performance certified is for installation type A-free inlet,free outlet.Performance ratings (BHP) does not include transmission losses.Performance ratings do not include the effects of appurtenances(accessories).The sound ratings shown are loudness values in fan sones at 5 feet (1.5m) in a hemispherical free field calculated per AMCA standard 301. Values shown are for installation type A,free inlet hemispherical sone levels.



### FCVS - 18

#### Performance Data

Belt driven

RPM Range - Motor HP		STATIC PRESSURE, INCHES W. G.											
K1 (1/16)	RPM	.000	.250	.500	.750	1.000	1.250	1.500	1.750	2.000	2.250	2.500	2.750
		CFM BHP SONES	CFM BHP SONES	CFM BHP SONES	CFM BHP SONES	CFM BHP SONES	CFM BHP SONES	CFM BHP SONES	CFM BHP SONES	CFM BHP SONES	CFM BHP SONES	CFM BHP SONES	CFM BHP SONES
L1 (1/4)	550	2045 .10 5.5	1364 .11 3.7										
M1 (1/3)	600	2231 .13 6.4	1642 .14 4.7										
	650	2417 .17 7.3	1891 .18 5.8	820 .14 4.8									
P1 (1/2)	700	2603 .21 8.3	2126 .23 6.8	1383 .21 5.5									
R1 (3/4)	750	2789 .26 9.3	2349 .28 7.9	1754 .27 6.6									
S1 (1)	800	2974 .32 10.4	2569 .33 9.0	2067 .33 7.7	1089 .27 7.0								
	850	3160 .38 11.6	2785 .40 10.3	2330 .40 9.0	1635 .38 7.8								
	900	3346 .45 12.4	2997 .47 11.1	2579 .48 10.1	2025 .47 9.2								
	950	3532 .53 13.6	3208 .56 12.4	2823 .56 11.3	2347 .56 10.3	1581 .49 10.2							
T1 (1-1/2)	1000	3718 .62 14.8	3413 .65 13.7	3051 .66 12.6	2644 .66 11.6	2035 .62 11.1							
	1050	3904 .72 16.1	3613 .75 15.0	3275 .76 14.0	2899 .76 13.0	2412 .74 12.1	1640 .64 12.1						
	1100	4090 .83 17.5	3812 .86 16.4	3496 .87 15.5	3148 .88 14.5	2728 .86 13.5	2132 .82 13.3						
	1150	4276 .95 19.0	4010 .98 18.0	3714 .99 17.0	3392 1.00 16.0	3029 1.00 15.0	2523 .97 14.5	1795 .84 14.5					
	1175	4369 1.01 19.7	4108 1.04 18.7	3822 1.06 17.8	3513 1.07 16.8	3158 1.06 15.8	2703 1.04 15.0	2055 .95 15.0					
V1 (2)	1200	4462 1.08 20	4207 1.11 19.5	3929 1.13 18.6	3625 1.14 17.6	3285 1.13 16.6	2863 1.11 15.7	2296 1.06 15.6	1030 .77 15.6				
	1225	4555 1.15 21	4305 1.18 20	4036 1.20 19.3	3738 1.21 18.4	3410 1.21 17.4	3020 1.19 16.5	2494 1.15 16.3	1727 .99 16.3				
	1250	4648 1.22 22	4402 1.25 21	4142 1.27 20	3851 1.28 19.2	3535 1.28 18.3	3176 1.27 17.3	2689 1.24 16.9	2021 1.10 16.9				
	1275	4740 1.29 23	4500 1.32 22	4248 1.35 21	3962 1.36 20	3659 1.36 19.1	3330 1.35 18.2	2883 1.33 17.6	2280 1.22 17.6				
	1300	4833 1.37 24	4598 1.40 23	4354 1.43 22	4073 1.44 21	3781 1.45 19.9	3460 1.44 19.0	3043 1.41 18.2	2510 1.35 18.2	1639 1.12 18.2			
	1325	4926 1.45 24	4695 1.48 24	4459 1.51 23	4184 1.52 22	3903 1.53 21	3588 1.53 19.8	3202 1.50 18.9	2708 1.45 18.8	2042 1.31 18.8			
	1350	5019 1.54 25	4792 1.57 24	4564 1.60 23	4294 1.61 23	4024 1.62 22	3714 1.62 21	3359 1.60 19.8	2903 1.56 19.5	2303 1.42 19.5			
	1375	5112 1.62 26	4889 1.66 25	4668 1.69 24	4403 1.70 23	4138 1.71 23	3840 1.71 22	3514 1.69 21	3096 1.67 20	2560 1.56 20	1655 1.29 20		
	1400	5205 1.71 27	4986 1.75 26	4769 1.78 25	4511 1.79 24	4251 1.81 23	3965 1.80 22	3666 1.80 22	3261 1.77 21	2765 1.70 21	2109 1.53 21		
	1425	5298 1.81 28	5083 1.84 27	4870 1.87 26	4620 1.89 25	4364 1.90 24	4088 1.90 23	3795 1.90 22	3420 1.86 22	2962 1.81 22	2371 1.65 22		
	1450	5391 1.90 29	5179 1.94 28	4970 1.97 27	4727 1.99 26	4476 2.00 25	4211 2.01 24	3923 2.00 23	3577 1.97 22	3156 1.93 22	2629 1.81 22	1758 1.52 22	
	1475	5484 2.00 30	5276 2.04 29	5070 2.07 28	4835 2.09 27	4588 2.11 26	4333 2.11 25	4050 2.11 24	3733 2.09 23	3346 2.06 23	2854 1.97 23	2215 1.79 23	
	1500	5577 2.11 31	5372 2.14 30	5170 2.18 29	4942 2.20 28	4699 2.21 27	4454 2.22 26	4175 2.22 25	3887 2.20 24	3507 2.16 24	3052 2.10 24	2478 1.92 24	
	1525	5670 2.21 32	5468 2.25 31	5269 2.29 30	5048 2.31 29	4809 2.32 28	4570 2.34 27	4300 2.33 26	4026 2.32 25	3666 2.29 24	3247 2.24 24	2736 2.09 24	1936 1.81 24
	1550	5763 2.32 33	5564 2.36 32	5369 2.40 31	5154 2.42 30	4919 2.44 29	4684 2.45 28	4424 2.45 27	4155 2.44 26	3823 2.41 25	3440 2.38 25	2970 2.28 25	2355 2.09 25
	1575	5856 2.44 33	5660 2.48 32	5468 2.51 31	5260 2.54 30	5028 2.56 30	4797 2.57 29	4547 2.57 28	4282 2.56 27	3979 2.54 26	3617 2.51 25	3169 2.43 25	2617 2.23 26

Performance certified is for installation type A-free inlet,free outlet.Performance ratings (BHP) does not include transmission losses.Performance ratings do not include the effects of appurtenances(accessories).The sound ratings shown are loudness values in fan sones at 5 feet (1.5m) in a hemispherical free field calculated per AMCA standard 301. Values shown are for installation type A,free inlet hemispherical sone levels.



FCVS - 21

Performance Data

Belt driven

RPM Range - Motor HP		STATIC PRESSURE, INCHES W. G.											
L1 (1/4)	RPM	.000	.250	.500	.750	1.000	1.250	1.500	1.750	2.000	2.250	2.500	2.750
		CFM BHP SONES	CFM BHP SONES	CFM BHP SONES	CFM BHP SONES	CFM BHP SONES	CFM BHP SONES	CFM BHP SONES	CFM BHP SONES	CFM BHP SONES	CFM BHP SONES	CFM BHP SONES	CFM BHP SONES
M1 (1/3)	400	2168 .08 4.2	728 .06 3.3										
	450	2439 .11 5.3	1443 .11 4.2										
	500	2709 .15 6.4	1883 .15 5.3										
	550	2980 .20 7.6	2261 .21 6.4	329 .10 6.1									
	600	3251 .26 8.8	2614 .27 7.4	1608 .25 7.1									
	650	3522 .34 10.0	2941 .35 8.6	2163 .34 8.2									
	700	3793 .42 11.2	3261 .43 9.9	2602 .42 9.4	1401 .35 9.3								
	750	4064 .52 12.6	3575 .53 11.3	2992 .53 10.7	2162 .50 10.5								
	800	4335 .63 14.0	3884 .65 12.8	3360 .65 12.0	2685 .63 11.8	1456 .50 11.7							
	850	4606 .75 15.6	4189 .77 14.4	3707 .78 13.4	3124 .75 13.2	2297 .71 13.1							
P1 (1/2)	875	4742 .82 16.4	4339 .84 15.2	3872 .85 14.1	3336 .84 13.9	2603 .80 13.8	812 .48 13.7						
	900	4877 .89 17.2	4485 .92 16.0	4035 .93 14.9	3525 .92 14.7	2886 .89 14.5	1737 .73 14.4						
	925	5012 .97 18.1	4631 .99 16.9	4197 1.00 15.7	3713 1.00 15.4	3111 .97 15.2	2162 .87 15.1						
	950	5148 1.05 18.9	4777 1.08 17.7	4358 1.09 16.6	3897 1.09 16.1	3333 1.06 15.9	2563 .99 15.8						
	975	5283 1.13 19.8	4921 1.16 18.6	4517 1.17 17.5	4080 1.18 16.9	3551 1.13 16.7	2871 1.11 16.6	1690 .87 16.6					
	1000	5419 1.22 21	5066 1.25 19.5	4676 1.27 18.4	4261 1.27 17.7	3766 1.24 17.6	3164 1.21 17.4	2152 1.15 17.4					
	1050	5690 1.41 22	5353 1.44 21	4989 1.46 20	4599 1.47 19.4	4152 1.46 19.2	3619 1.43 19.1	2930 1.36 19.0	1764 1.07 19.0				
	1075	5825 1.52 23	5497 1.55 22	5145 1.57 21	4764 1.58 20	4338 1.57 20	3839 1.51 20	3227 1.49 19.9	2240 1.42 19.8				
	1100	5961 1.62 24	5639 1.66 23	5300 1.68 22	4927 1.69 21	4523 1.69 21	4056 1.63 21	3513 1.62 21	2648 1.48 21	657 .78 21			
	1125	6096 1.74 25	5782 1.77 24	5454 1.80 23	5089 1.81 22	4705 1.81 22	4270 1.76 22	3740 1.74 22	3047 1.65 22	1935 1.33 22			
R1 (3/4)	1150	6232 1.86 26	5924 1.89 25	5607 1.92 24	5251 1.93 23	4886 1.93 23	4461 1.92 23	3963 1.88 23	3354 1.82 22	2408 1.73 22			
	1175	6367 1.98 27	6066 2.02 26	5759 2.05 25	5411 2.06 24	5062 2.06 23	4650 2.05 23	4183 1.97 23	3648 1.95 23	2815 1.80 23	1146 1.18 23		
	1200	6503 2.11 28	6208 2.15 27	5911 2.18 26	5570 2.19 25	5228 2.20 24	4836 2.19 24	4400 2.12 24	3903 2.11 24	3215 1.99 24	2184 1.68 24		
	1225	6638 2.24 29	6349 2.28 28	6063 2.32 27	5728 2.33 26	5394 2.34 25	5021 2.33 25	4615 2.27 25	4128 2.26 25	3533 2.19 25	2640 2.11 25		
	1250	6774 2.38 30	6490 2.42 29	6210 2.46 27	5886 2.47 27	5558 2.48 26	5204 2.48 26	4813 2.46 26	4350 2.41 26	3828 2.36 26	3046 2.18 26	2009 1.82 26	
	1275	6909 2.53 30	6631 2.57 29	6356 2.61 28	6042 2.62 28	5721 2.63 27	5385 2.63 27	5002 2.62 27	4569 2.52 27	4101 2.52 27	3445 2.39 26	2499 2.10 26	
	1300	7045 2.68 31	6772 2.72 30	6502 2.76 29	6198 2.78 28	5883 2.79 28	5566 2.80 27	5190 2.78 27	4786 2.70 27	4327 2.69 27	3756 2.62 27	2926 2.53 27	1320 1.63 27
	1325	7180 2.84 32	6912 2.88 31	6648 2.92 30	6353 2.94 29	6044 2.95 29	5735 2.96 28	5375 2.95 28	5001 2.88 28	4550 2.87 28	4051 2.81 28	3330 2.62 28	2383 2.24 28
	1350	7316 3.00 33	7053 3.04 32	6793 3.08 31	6508 3.11 30	6204 3.12 30	5901 3.13 29	5560 3.12 29	5198 3.10 29	4771 3.05 29	4328 2.99 29	3716 2.89 29	2848 2.81 29
	1375	7451 3.17 34	7193 3.22 33	6938 3.26 32	6662 3.28 31	6364 3.29 31	6066 3.30 30	5742 3.30 30	5387 3.28 30	4989 3.18 30	4555 3.18 30	4015 3.10 30	3256 2.88 30
S1 (1)	T1 (1-1/2)	V1 (2)	W1 (3)										

section 4  
page 89

Performance certified is for installation type A, free inlet, free outlet. Performance ratings (BHP) does not include transmission losses. Performance ratings do not include the effects of appurtenances (accessories). The sound ratings shown are loudness values in fan sones at 5 feet (1.5m) in a hemispherical free field calculated per AMCA standard 301. Values shown are for installation type A, free inlet hemispherical sone levels.

### FCVS - 24

#### Performance Data

Belt driven

RPM Range - Motor HP		STATIC PRESSURE, INCHES W. G.													
M1 (1/3)	RPM	.000	.250	.500	.750	1.000	1.250	1.500	1.750	2.000	2.250	2.500	2.750		
		CFM SONES	BHP SONES	CFM SONES	BHP SONES	CFM SONES	BHP SONES	CFM SONES	BHP SONES	CFM SONES	BHP SONES	CFM SONES	BHP SONES	CFM SONES	BHP SONES
P1 (1/2)	400	3618 6.5	.21 5.0	2241 5.0	.19										
	425	3845 7.3	.25 5.7	2595 5.7	.24										
	450	4070 8.2	.29 6.5	2927 6.5	.29										
	475	4298 8.9	.34 7.1	3247 7.1	.34										
	500	4523 9.7	.40 7.8	3559 7.8	.40	1907 7.3									
	525	4750 10.4	.47 8.6	3848 8.6	.47	2484 7.9									
	550	4975 11.2	.54 9.4	4125 9.4	.54	2942 8.7									
	575	5201 12.0	.61 10.3	4398 10.3	.62	3303 9.5									
	600	5427 12.9	.70 11.2	4667 11.2	.70	3655 10.3	1941 9.9								
	625	5653 13.8	.79 12.2	4934 12.2	.80	3991 11.2	2664 10.7								
	650	5879 14.6	.88 13.2	5197 13.2	.90	4315 12.1	3173 11.5								
	T1 (1-1/2)	675	6105 15.5	.99 14.1	5458 14.1	1.01	4633 13.0	3623 12.4	1346 12.2						
700		6332 16.5	1.10 15.1	5711 15.1	1.12	4945 13.9	3985 13.4	2504 13.0							
725		6558 17.7	1.23 16.1	5959 16.1	1.25	5247 14.9	4339 14.4	3162 13.9							
750		6784 18.8	1.36 17.2	6205 17.2	1.38	5526 16.0	4686 15.4	3654 14.9							
775		7010 19.9	1.50 18.3	6450 18.3	1.52	5803 17.1	5013 16.4	4111 15.9	2520 15.7						
800		7236 21	1.65 19.5	6693 19.5	1.67	6077 18.2	5335 17.5	4482 17.1	3261 16.8						
825		7462 22	1.81 21	6936 21	1.83	6348 19.4	5653 18.6	4839 18.3	3833 17.9	1535 17.9					
850		7688 23	1.98 22	7178 22	2.00	6616 21	5966 19.7	5189 19.4	4296 19.0	2799 18.9					
875		7914 25	2.16 23	7418 23	2.18	6883 22	6275 21	5528 20	4730 20	3537 20					
900		8141 26	2.35 24	7658 24	2.37	7148 23	6561 22	5854 22	5092 21	4129 21	2244 21	1.56			
950		8595 28	2.76 27	8136 27	2.79	7671 25	7116 24	6494 24	5797 23	5050 23	3948 23	2.34			
1000		9045 30	3.22 29	8611 29	3.25	8177 28	7662 27	7118 26	6464 25	5779 25	4978 25	2.87	3813 2.62		
X1 (5)	1050	9497 33	3.73 31	9084 31	3.76	8671 30	8199 29	7697 28	7107 27	6480 27	5810 27	4969 27	3756 2.97		
	1075	9723 34	4.00 33	9320 33	4.03	8916 31	8465 30	7975 29	7423 29	6814 28	6169 28	5431 28	4419 2.97	2636 2.64	
	1100	9950 35	4.28 34	9555 34	4.32	9160 33	8730 32	8250 31	7735 30	7141 30	6523 29	5884 29	5014 2.97	3711 3.33	
	1125	10176 36	4.58 35	9790 35	4.62	9404 34	8993 33	8524 32	8044 31	7463 31	6873 30	6247 30	5480 3.00	4446 3.80	2602 2.94
	1150	10402 38	4.90 37	10024 37	4.93	9647 35	9255 34	8796 33	8337 32	7782 32	7217 32	6606 31	5940 3.00	5093 4.27	3756 3.75
	1175	10628 39	5.22 38	10258 38	5.26	9889 37	9515 36	9066 35	8617 34	8098 33	7542 33	6960 33	6361 32	5575 4.68	4534 4.27
	1200	10854 40	5.56 39	10492 39	5.60	10131 38	9769 37	9335 36	8895 35	8411 35	7866 34	7310 34	6724 34	6038 4.97	5184 4.81

Performance certified is for installation type A-free inlet,free outlet.Performance ratings (BHP) does not include transmission losses.Performance ratings do not include the effects of appurtenances(accessories).The sound ratings shown are loudness values in fan sones at 5 feet (1.5m) in a hemispherical free field calculated per AMCA standard 301. Values shown are for installation type A,free inlet hemispherical sone levels.

section 4  
page 90



FCVS - 30

Performance Data

Belt driven

RPM Range - Motor HP		STATIC PRESSURE, INCHES W. G.											
P1 (1/2)	RPM	.000	.250	.500	.750	1.000	1.250	1.500	1.750	2.000	2.250	2.500	2.750
		CFM BHP SONES	CFM BHP SONES	CFM BHP SONES	CFM BHP SONES	CFM BHP SONES	CFM BHP SONES	CFM BHP SONES	CFM BHP SONES	CFM BHP SONES	CFM BHP SONES	CFM BHP SONES	CFM BHP SONES
P2 (1/2)	275	4591 .14 4.7											
	300	5009 .18 5.5	1657 .14 3.4										
R1 (3/4)	325	5426 .23 6.4	2935 .24 4.0										
	350	5843 .28 7.3	3723 .31 4.8										
S1 (1)	375	6261 .35 8.3	4390 .39 5.8										
	400	6678 .43 9.3	4972 .47 6.9										
T1 (1-1/2)	425	7095 .51 10.2	5537 .57 7.9	2391 .41 6.6									
	450	7513 .61 11.2	6085 .68 9.0	3817 .63 7.3									
V1 (2)	475	7930 .71 12.2	6590 .79 10.1	4675 .76 7.9									
	500	8347 .83 13.3	7086 .92 11.2	5403 .90 8.9									
W1 (3)	525	8765 .96 14.4	7576 1.06 12.4	6078 1.06 10.1	3218 .82 9.4								
	550	9182 1.11 15.5	8059 1.21 13.6	6669 1.22 11.5	4635 1.14 10.3								
X1 (5)	575	9600 1.26 16.7	8538 1.38 14.8	7244 1.40 12.9	5497 1.32 11.3								
	600	10017 1.43 17.9	9012 1.56 16.1	7807 1.60 14.3	6276 1.55 12.6	3313 1.15 12.4							
Y1 (7-1/2)	625	10434 1.62 19.1	9476 1.75 17.4	8361 1.79 15.8	6961 1.77 14.0	4816 1.51 13.5							
	650	10852 1.82 20	9930 1.96 18.7	8882 2.03 17.3	7615 2.01 15.6	5871 1.93 14.6							
	675	11269 2.04 22	10382 2.19 20	9385 2.27 18.7	8200 2.26 17.1	6720 2.18 15.7	3975 1.70 15.7						
	700	11687 2.28 23	10831 2.43 21	9881 2.52 20	8776 2.53 18.6	7445 2.47 17.2	5453 2.13 16.9						
	725	12104 2.53 25	11277 2.68 23	10373 2.79 22	9341 2.82 20	8128 2.77 18.6	6504 2.68 18.0	3055 1.74 18.0					
	750	12521 2.80 26	11722 2.96 24	10860 3.07 23	9899 3.09 22	8780 3.09 20	7356 2.97 19.1	5033 2.50 19.1					
	775	12939 3.09 27	12165 3.26 26	11344 3.38 24	10449 3.42 23	9366 3.42 22	8113 3.35 20	6425 2.99 20					
	800	13356 3.40 29	12606 3.57 27	11823 3.71 26	10957 3.79 25	9944 3.77 23	8800 3.71 22	7325 3.62 21	4789 2.86 21				
	825	13773 3.73 30	13046 3.90 28	12299 4.06 27	11460 4.14 26	10513 4.15 25	9475 4.11 23	8173 3.97 22	6271 3.43 22				
	850	14191 4.08 32	13485 4.26 30	12772 4.43 28	11957 4.51 27	11074 4.55 26	10087 4.51 25	8916 4.41 24	7425 4.27 23	4781 3.31 23			
	875	14608 4.45 33	13922 4.63 31	13240 4.82 30	12451 4.91 29	11629 4.91 27	10670 4.93 26	9603 4.86 25	8284 4.78 25	6316 3.97 25			
	900	15026 4.84 34	14359 5.03 33	13695 5.22 31	12940 5.32 30	12717 5.41 29	11245 5.38 28	10279 5.33 27	9125 5.21 26	7635 5.01 26	4970 3.88 26		
	925	15443 5.26 36	14794 5.45 34	14148 5.65 33	13426 5.76 31	12677 5.85 30	11813 5.85 29	10905 5.81 28	9821 5.70 27	8500 5.60 27	6527 4.80 27		
	950	15860 5.70 38	15228 5.90 36	14599 6.10 34	13909 6.23 33	13180 6.32 32	12374 6.35 31	11490 6.30 30	10506 6.22 29	9349 6.05 28	7914 5.53 28	5324 4.61 28	
	975	16278 6.16 39	15662 6.36 38	15049 6.57 36	14389 6.72 35	13678 6.81 33	12929 6.80 32	12068 6.83 31	11180 6.78 30	10115 6.65 29	8806 6.52 29	6878 5.63 29	
	1000	16695 6.64 41	16094 6.85 39	15497 7.06 38	14865 7.23 36	14173 7.33 35	13479 7.34 34	12639 7.38 33	11800 7.34 32	10806 7.23 31	9659 7.00 30	8265 6.42 30	5819 5.49 30

section 4  
page 91

Performance certified is for installation type A-free inlet,free outlet.Performance ratings (BHP) does not include transmission losses.Performance ratings do not include the effects of appurtenances(accessories).The sound ratings shown are loudness values in fan sones at 5 feet (1.5m) in a hemispherical free field calculated per AMCA standard 301. Values shown are for installation type A,free inlet hemispherical sone levels.The AMCA certified Ratings Seal does not apply to this model

FCVS - 36

Performance Data

Belt driven

RPM Range - Motor HP		STATIC PRESSURE, INCHES W. G.																							
RI (3/4)	RPM	.000	.250	.375	.500	.625	.750	1.000	1.250	1.500	1.750	2.000	2.250												
		CFM SONES	BHP SONES	CFM SONES	BHP SONES	CFM SONES	BHP SONES	CFM SONES	BHP SONES	CFM SONES	BHP SONES	CFM SONES	BHP SONES	CFM SONES	BHP SONES										
S1 (1)	250	6697 9.2	.30	2317 3.7	.22																				
	270	7233 10.3	.37	4086 4.8	.35																				
T1 (1-1/2)	290	7769 11.4	.46	5275 6.2	.47																				
	310	8304 12.5	.57	6161 7.5	.58	3363 5.7	.46																		
V1 (2)	330	8840 13.7	.68	6979 8.9	.71	4960 6.9	.64																		
	350	9376 14.9	.82	7690 10.4	.85	6213 8.3	.82	2711 7.0	.53																
W1 (3)	370	9912 16.1	.96	8370 11.7	1.00	7140 9.7	.99	4963 8.2	.84																
	390	10447 17.4	1.13	9039 13.2	1.17	7972 11.3	1.17	6296 9.5	1.08	2764 8.4	.69														
X1 (5)	410	10983 18.7	1.31	9697 14.6	1.36	8772 13.0	1.36	7454 11.0	1.32	5254 9.6	1.12														
	430	11519 20	1.51	10346 16.1	1.56	9464 14.8	1.57	8361 12.7	1.55	6657 11.2	1.43	3593 10.1	1.04												
Y1 (7-1/2)	450	12055 21	1.74	10988 17.7	1.79	10145 16.5	1.80	9191 14.6	1.79	7907 12.9	1.73	5826 11.6	1.48												
	470	12591 23	1.98	11596 19.2	2.04	10816 18.1	2.05	10003 16.5	2.05	8871 14.7	2.01	7226 13.4	1.86												
	490	13126 24	2.24	12173 21	2.30	11478 19.6	2.32	10704 18.5	2.32	9734 16.6	2.30	8480 15.2	2.21	2817 13.2	1.18										
	510	13662 25	2.53	12746 22	2.59	12132 21	2.61	11389 20	2.62	10558 18.5	2.61	9494 17.0	2.56	5949 14.6	2.07										
	530	14198 27	2.84	13316 24	2.90	12780 23	2.93	12064 22	2.93	11349 21	2.94	10381 18.9	2.91	7528 16.5	2.59										
	550	14734 28	3.17	13884 25	3.24	13421 24	3.27	12732 24	3.28	12042 23	3.29	11211 21	3.27	8806 18.3	3.03	3594 16.8	1.83								
	570	15269 30	3.53	14450 27	3.60	14040 26	3.63	13392 25	3.65	12726 24	3.65	12025 20	3.66	10051 18.3	3.51	6635 18.3	2.89								
	590	15805 31	3.91	15013 28	3.99	14617 27	4.02	14045 27	4.04	13402 26	4.05	12760 25	4.06	11014 22	3.97	8243 19.9	3.50								
	610	16341 33	4.32	15575 30	4.40	15192 29	4.44	14693 28	4.46	14071 27	4.47	13449 27	4.48	11904 24	4.43	9535 22	4.10	5347 20	3.18						
	630	16877 34	4.76	16135 32	4.84	15764 31	4.88	15335 29	4.91	14733 29	4.92	14131 28	4.93	12735 26	4.91	10788 24	4.69	7723 22	3.94						
	650	17412 36	5.23	16694 34	5.31	16334 32	5.35	15972 31	5.39	15389 30	5.40	14805 30	5.41	13554 28	5.41	11866 26	5.27	9277 24	4.78	4095 22	2.94				
	670	17948 38	5.73	17251 35	5.81	16902 34	5.85	16553 33	5.90	16039 32	5.91	15473 31	5.93	14341 29	5.95	12790 27	5.85	10557 26	5.45	7309 23	4.65				
	680	18216 39	5.99	17529 36	6.07	17185 35	6.12	16842 34	6.16	16363 33	6.18	15805 32	6.19	14689 30	6.21	13225 28	6.14	11187 27	5.79	8303 24	4.94				
	690	18484 39	6.26	17807 37	6.34	17468 36	6.39	17129 35	6.43	16685 34	6.46	16135 33	6.47	15036 31	6.49	13643 29	6.43	11810 28	6.15	9108 26	5.41				
	700	18752 40	6.53	18084 38	6.62	17750 37	6.66	17417 36	6.71	17005 35	6.74	16464 34	6.75	15380 32	6.77	14059 30	6.72	12426 28	6.53	9885 27	5.95	5422 25	4.26		
	710	19020 41	6.82	18359 39	6.91	18032 38	6.95	17703 37	6.99	17325 36	7.03	16791 35	7.04	15723 33	7.06	14471 31	7.03	12904 29	6.86	10531 28	6.33	6954 26	5.27		
	720	19288 42	7.11	18636 40	7.20	18314 39	7.24	17990 38	7.29	17644 37	7.33	17117 36	7.34	16064 34	7.37	14880 32	7.35	13369 30	7.20	11170 29	6.72	8311 27	5.81		
	730	19555 43	7.41	18913 41	7.50	18595 40	7.55	18275 39	7.59	17955 38	7.64	17442 37	7.65	16403 35	7.67	15287 33	7.67	13830 32	7.55	11082 30	7.12	9123 28	6.20		
	740	19823 44	7.72	19189 42	7.81	18876 41	7.86	18580 40	7.90	18245 39	7.95	17766 38	7.97	16741 36	7.99	15691 34	8.01	14281 33	7.90	12428 31	7.53	9926 29	6.74	5250 28	4.74
	750	20091 45	8.03	19466 43	8.13	19157 42	8.18	18845 41	8.22	18534 40	8.27	18089 39	8.29	17077 37	8.32	16066 36	8.34	14701 34	8.24	13047 32	7.96	10676 30	7.34	6592 29	6.06

Performance certified is for installation type A-free inlet,free outlet.Performance ratings (BHP) does not include transmission losses.Performance ratings do not include the effects of appurtenances(accessories).The sound ratings shown are loudness values in fan sones at 5 feet (1.5m) in a hemispherical free field calculated per AMCA standard 301. Values shown are for installation type A,free inlet hemispherical sone levels.The AMCA certified Ratings Seal does not apply to this model

### FCVS - 42

**Performance Data**
**Belt driven**

RPM Range - Motor HP		STATIC PRESSURE, INCHES W. G.											
SI (1)	RPM	.000	.125	.250	.375	.500	.625	.750	1.000	1.250	1.500	1.750	2.000
		CFM BHP SONES	CFM BHP SONES	CFM BHP SONES	CFM BHP SONES	CFM BHP SONES	CFM BHP SONES	CFM BHP SONES	CFM BHP SONES	CFM BHP SONES	CFM BHP SONES	CFM BHP SONES	CFM BHP SONES
T1 (1-12)	215	8225 .36 6.5	6840 .39 5.1										
	230	8799 .44 7.4	7505 .47 6.1	4752 .41 4.4									
	245	9372 .53 8.3	8159 .57 7.1	7610 .55 5.3									
	260	9946 .64 9.1	8804 .67 8.0	7188 .68 6.4									
	275	10520 .76 9.9	9441 .79 8.8	8111 .81 7.4	5046 .68 6.1								
	290	11094 .89 10.8	10071 .93 9.7	9008 .96 8.5	6655 .87 7.0								
	305	11668 1.03 11.6	10695 1.07 10.6	9715 1.11 9.5	7855 1.08 8.1								
	320	12242 1.19 12.5	11314 1.23 11.5	10382 1.28 10.6	8902 1.26 9.2	6182 1.10 8.1							
	335	12815 1.37 13.5	11929 1.41 12.4	11040 1.46 11.5	9824 1.47 10.3	7698 1.34 9.1							
	350	13389 1.56 14.6	12541 1.61 13.5	11691 1.65 12.6	10725 1.69 11.5	8904 1.62 10.2							
	365	13963 1.77 15.7	13150 1.82 14.7	12335 1.87 13.7	11515 1.92 12.7	9997 1.87 11.4	7650 1.66 10.5						
	380	14537 1.99 17.0	13755 2.05 15.9	12974 2.10 15.0	12187 2.15 14.1	10927 2.13 12.7	9085 2.03 11.8						
395	15111 2.24 18.2	14359 2.29 17.2	13609 2.35 16.3	12851 2.40 15.4	11838 2.41 14.1	10235 2.34 13.2	7887 2.06 12.4						
410	15685 2.50 19.5	14960 2.56 18.5	14237 2.62 17.7	13508 2.67 16.8	12732 2.72 15.6	11297 2.65 14.6	9400 2.46 13.8						
425	16258 2.79 21	15559 2.85 19.8	14862 2.91 19.0	14160 2.96 18.3	13456 3.02 17.2	12226 2.98 16.1	10626 2.89 15.3						
440	16832 3.09 22	16157 3.15 21	15483 3.22 20	14806 3.28 19.6	14126 3.34 18.9	13138 3.33 17.6	11761 3.25 16.8						
455	17406 3.42 23	16753 3.48 23	16102 3.55 22	15448 3.61 21	14790 3.67 20	14034 3.71 19.2	12741 3.63 18.4	8994 3.18 17.0					
470	17980 3.77 25	17347 3.84 24	16717 3.90 23	16085 3.97 23	15448 4.03 22	14812 4.10 21	13664 4.04 19.9	10512 3.66 18.5					
485	18554 4.14 26	17940 4.21 26	17330 4.28 25	16719 4.35 24	16102 4.41 23	15484 4.48 23	14572 4.47 21	11828 4.25 20					
500	19128 4.54 28	18532 4.61 27	17940 4.68 26	17347 4.75 25	16750 4.82 25	16151 4.89 24	15466 4.93 23	12973 4.76 22					
515	19701 4.96 29	19123 5.03 28	18548 5.10 27	17973 5.17 27	17394 5.25 26	16813 5.32 25	16232 5.39 24	14064 5.24 23	10698 4.64 22				
530	20275 5.41 30	19714 5.48 29	19155 5.55 28	18596 5.63 28	18034 5.70 27	17469 5.77 27	16905 5.85 26	14998 5.76 24	12204 5.32 23				
545	20849 5.88 31	20303 5.95 30	19759 6.03 30	19215 6.11 29	18671 6.18 28	18121 6.26 28	17572 6.33 27	15918 6.30 25	13435 6.05 24				
560	21423 6.38 32	20891 6.46 32	20362 6.53 31	19833 6.61 30	19304 6.69 30	18769 6.77 29	18235 6.84 29	16825 6.88 27	14579 6.69 26	11296 5.89 24			
575	21997 6.90 33	21479 6.98 33	20963 7.06 32	20448 7.14 32	19933 7.22 31	19413 7.30 30	18893 7.38 30	17720 7.49 28	15674 7.29 27	12812 6.69 26			
590	22570 7.46 35	22065 7.54 34	21563 7.62 33	21061 7.70 33	20559 7.79 32	20054 7.87 32	19547 7.95 31	18532 8.11 30	16610 7.93 28	14176 7.61 27			
605	23144 8.04 36	22652 8.13 35	22162 8.21 35	21672 8.29 34	21183 8.38 34	20691 8.46 33	20196 8.54 33	19207 8.71 32	17533 8.61 30	15329 8.36 29	12214 7.42 28		
620	23718 8.65 37	23237 8.74 37	22759 8.83 36	22281 8.91 36	21804 9.00 35	21325 9.09 35	20842 9.17 35	19877 9.34 34	18443 9.32 32	16463 9.13 30	13731 8.36 29		
635	24292 9.30 39	23822 9.39 38	23356 9.47 38	22889 9.56 37	22423 9.65 37	21956 9.74 37	21485 9.83 36	20543 10.00 36	19343 10.06 34	17491 9.85 32	15136 9.46 31	11640 8.33 30	
650	24866 9.97 41	24407 10.06 40	23951 10.15 40	23495 10.24 39	23039 10.33 39	22584 10.42 38	22125 10.51 38	21204 10.69 37	20233 10.85 36	18423 10.26 34	16292 10.33 33	13387 9.30 31	

section 4  
page 93

Performance certified is for installation type A-free inlet,free outlet.Performance ratings (BHP) does not include transmission losses.Performance ratings do not include the effects of appurtenances(accessories).The sound ratings shown are loudness values in fan sones at 5 feet (1.5m) in a hemispherical free field calculated per AMCA standard 301. Values shown are for installation type A,free inlet hemispherical sone levels.The AMCA certified Ratings Seal does not apply to this model

### FCVS - 48

#### Performance Data

Belt driven

RPM Range - Motor HP		STATIC PRESSURE, INCHES W. G.												
T1 (1-1/2)	RPM	.000	.125	.250	.375	.500	.625	.750	1.000	1.250	1.500	1.750	2.000	
		CFM BHP SONES	CFM BHP SONES	CFM BHP SONES	CFM BHP SONES	CFM BHP SONES	CFM BHP SONES	CFM BHP SONES	CFM BHP SONES	CFM BHP SONES	CFM BHP SONES	CFM BHP SONES	CFM BHP SONES	CFM BHP SONES
V1 (2)	200	11712 .46 7.4	9785 .52 5.9											
	220	12383 .61 8.7	11136 .68 7.2	8433 .74 6.5										
	240	14054 .80 10.0	12457 .87 8.7	10432 .91 7.9										
	260	15226 1.01 11.5	13755 1.10 10.3	12111 1.16 9.6	9063 1.23 9.3									
	280	16397 1.26 13.5	15036 1.36 12.2	13843 1.44 11.4	11568 1.45 11.0									
	290	16982 1.40 14.5	15670 1.50 13.2	14326 1.59 12.4	12438 1.61 11.9									
	300	17568 1.55 15.5	16300 1.65 14.2	15002 1.75 13.4	13292 1.78 12.9	10428 1.88 12.8								
	310	18154 1.71 16.6	16927 1.82 15.3	15673 1.91 14.4	14133 1.97 13.9	11783 2.09 13.7								
	320	18739 1.89 17.6	17551 1.99 16.4	16338 2.09 15.5	14692 2.17 15.0	13042 2.17 14.7								
	330	19325 2.07 18.7	18172 2.18 17.5	16999 2.28 16.6	15780 2.37 16.1	13941 2.38 15.7	10731 2.33 15.7							
W1 (3)	340	19910 2.26 19.7	18792 2.38 18.6	17655 2.48 17.7	16508 2.58 17.3	14803 2.60 16.9	12330 2.85 16.8							
	350	20496 2.47 21	19409 2.58 19.7	18307 2.70 18.8	17193 2.80 18.4	15652 2.83 18.0	13607 2.95 17.8							
	360	21082 2.69 22	20025 2.81 21	18956 2.92 19.9	17873 3.03 19.5	16490 3.08 19.1	14805 3.08 18.9	11497 2.94 18.9						
	370	21667 2.92 23	20639 3.04 22	19601 3.16 21	18547 3.27 21	17317 3.35 20	15678 3.35 20	13190 3.71 20						
	380	22253 3.16 24	21251 3.29 23	20243 3.41 22	19217 3.52 22	18135 3.63 21	16539 3.63 21	14474 3.84 21						
	390	22838 3.41 26	21863 3.54 24	20883 3.67 24	19883 3.79 23	18883 3.91 23	17389 3.92 22	15734 3.97 22						
	400	23424 3.68 27	22472 3.82 26	21519 3.95 25	20545 4.07 24	19570 4.19 24	18229 4.23 24	16712 4.23 24						
	410	24010 3.97 28	23081 4.10 27	22154 4.24 26	21203 4.36 25	20252 4.49 25	19059 4.55 25	17579 4.56 25						
	420	24595 4.26 29	23689 4.41 28	22784 4.55 27	21857 4.67 27	20929 4.80 26	19880 4.89 26	18436 4.90 26	14018 4.97 26					
	430	25181 4.58 30	24295 4.72 29	23412 4.86 28	22509 5.00 28	21602 5.12 27	20694 5.25 27	19283 5.25 27	15587 5.76 27					
X1 (5)	440	25766 4.90 32	24901 5.05 31	24038 5.20 30	23157 5.33 29	22271 5.47 28	21385 5.60 28	20120 5.63 28	16867 5.93 28					
	450	26352 5.25 33	25506 5.40 32	24662 5.55 31	23803 5.69 30	22937 5.82 29	22070 5.96 29	20950 6.02 29	18126 6.10 29					
	460	26938 5.60 34	26110 5.76 33	25284 5.91 32	24446 6.06 32	23599 6.19 31	22751 6.33 30	21771 6.43 30	19133 6.43 30					
	470	27523 5.98 35	26713 6.13 35	25905 6.29 34	25087 6.44 33	24258 6.58 32	23428 6.72 32	22584 6.86 31	20003 6.86 31	15746 7.00 31				
	480	28109 6.37 37	27315 6.53 36	26524 6.69 35	25726 6.84 34	24914 6.99 33	24101 7.13 33	23289 7.27 33	20863 7.31 32	17330 8.04 32				
	490	28694 6.77 38	27917 6.94 37	27142 7.10 36	26362 7.26 36	25567 7.41 35	24771 7.55 34	23975 7.70 34	21715 7.78 33	18612 8.25 33				
	500	29280 7.20 39	28518 7.36 39	27758 7.53 38	26997 7.70 37	26217 7.85 36	25437 8.00 36	24657 8.15 35	22558 8.26 35	19876 8.46 34				
	510	29866 7.64 41	29118 7.81 40	28374 7.98 39	27629 8.15 39	26865 8.30 38	26100 8.45 37	25336 8.61 37	23394 8.77 36	21015 8.77 36	16412 8.47 36			
	520	30451 8.09 42	29718 8.27 42	28988 8.44 41	28257 8.62 40	27510 8.77 39	26761 8.93 39	26011 9.09 38	24222 9.29 38	21889 9.29 37	18127 9.83 37	9825 6.03 37		
	530	30137 8.57 44	30317 8.75 43	29601 8.92 42	28884 9.10 42	28154 9.27 41	27418 9.42 40	26682 9.58 40	25044 9.84 39	22754 9.84 39	19523 10.67 38	10966 6.65 38		
Y1 (7-1/2)	540													
	550													
	560													
	570													
	580													
	590													
	600													
	610													
	620													
	630													
C1 (10)	640													
	650													
	660													
	670													
	680													
	690													
	700													
	710													
	720													
	730													

Performance certified is for installation type A-free inlet,free outlet.Performance ratings (BHP) does not include transmission losses.Performance ratings do not include the effects of appurtenances(accessories).The sound ratings shown are loudness values in fan sones at 5 feet (1.5m) in a hemispherical free field calculated per AMCA standard 301. Values shown are for installation type A,free inlet hemispherical sone levels.The AMCA certified Ratings Seal does not apply to this model



**FCVS**

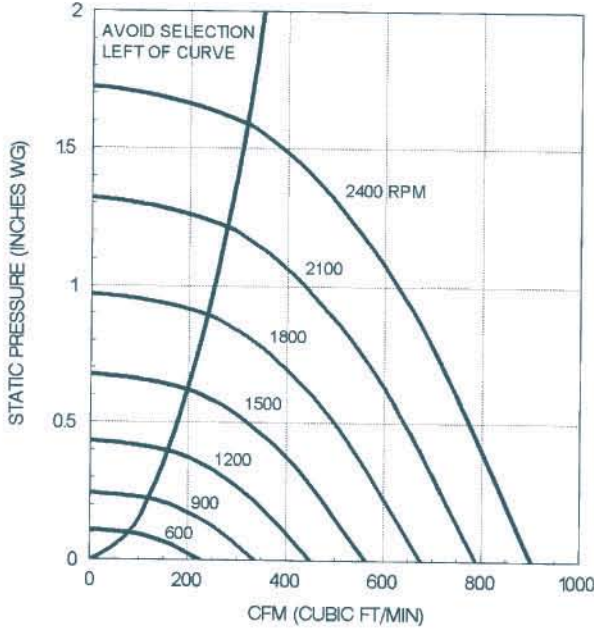


**DYN AIR®**

**Belt driven**

**FCVS - 06**

**AIR PERFORMANCE**



Performance certified is for installation type A - free inlet, free outlet.  
Performance ratings (bhp) do not include transmission losses.  
Performance ratings do not include the effects of appurtenances(accessories).

**SOUND PERFORMANCE**

RPM	SP INCH W.G.	SOUND POWER RE 10 <sup>-12</sup> WATTS								LWA
		OCTAVE BANDS								
		1	2	3	4	5	6	7	8	
600	.000	40	39	36	37	34	30	26	22	39
	.125	58	57	51	49	47	43	39	35	52
1000	.000	58	56	52	49	48	44	40	36	53
	.125	58	57	51	49	47	43	39	35	52
1400	.000	65	62	61	58	55	55	51	46	62
	.500	68	68	64	62	59	56	52	47	65
1800	.000	71	67	70	65	63	60	59	54	69
	.375	71	69	70	65	62	59	57	53	68
	.750	74	74	73	68	66	62	59	54	71
2100	.000	78	70	76	69	67	63	63	58	73
	.500	76	73	75	69	67	63	62	57	73
	1.000	79	78	78	71	70	65	63	58	75
2300	.000	81	73	78	71	70	65	66	61	75
	.500	79	76	77	72	69	65	64	60	75
	1.000	79	79	79	73	71	66	64	60	76
2500	.000	82	76	80	74	72	68	67	63	78
	.500	81	78	79	74	71	67	66	62	77
	1.000	79	80	80	75	71	68	66	62	78
	1.500	83	84	84	78	75	71	68	64	81

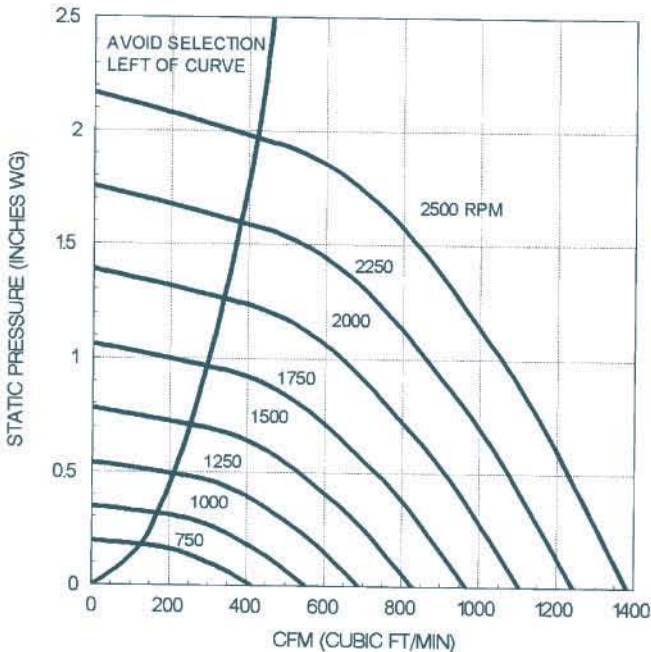
The sound power level ratings shown are in decibels, referred to 10<sup>-12</sup> watts calculated per AMCA Standard 301. Values shown are for inlet Lwi and Lwi A sound power levels for installation Type A : free inlet, free outlet. Ratings do not include the effects of duct end correction.

The A-weighted sound ratings shown have been calculated per AMCA International standard 301.

section **4**  
page 95

**FCVS - 08**

**AIR PERFORMANCE**



Performance certified is for installation type A - free inlet, free outlet.  
Performance ratings (bhp) do not include transmission losses.  
Performance ratings do not include the effects of appurtenances(accessories).

**SOUND PERFORMANCE**

RPM	SP INCH W.G.	SOUND POWER RE 10 <sup>-12</sup> WATTS								LWA
		OCTAVE BANDS								
		1	2	3	4	5	6	7	8	
650	.000	52	57	42	41	39	40	38	37	47
	.250	68	70	62	53	51	48	46	41	60
1050	.000	69	68	66	54	52	50	50	48	61
	.250	68	70	62	53	51	48	46	41	60
1450	.000	69	71	70	63	58	57	58	59	67
	.500	69	68	65	60	58	57	55	53	65
1800	.000	80	74	79	70	65	61	62	63	74
	.500	79	73	74	66	63	60	60	59	71
	1.000	76	73	72	66	64	63	61	57	71
2100	.000	87	76	86	75	69	65	65	66	80
	.500	86	77	82	71	68	64	64	64	77
	1.000	83	77	80	70	68	65	64	62	75
2300	.000	90	79	88	78	72	67	67	68	82
	.750	88	80	84	74	70	66	65	65	79
	1.500	84	80	81	73	71	68	67	64	78
2500	.000	91	83	89	82	75	69	69	70	84
	.500	90	83	87	79	74	69	68	68	82
	1.000	89	83	85	77	73	68	67	67	81
	1.750	86	83	83	76	73	70	69	66	80

The sound power level ratings shown are in decibels, referred to 10<sup>-12</sup> watts calculated per AMCA Standard 301. Values shown are for inlet Lwi and Lwi A sound power levels for installation Type A : free inlet, free outlet. Ratings do not include the effects of duct end correction.

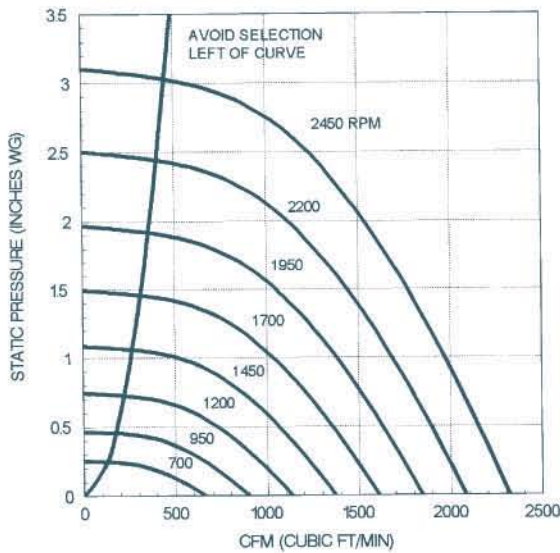
The A-weighted sound ratings shown have been calculated per AMCA International standard 301.



## FCVS - 10

Belt driven

### AIR PERFORMANCE



Performance certified is for installation type A - free inlet, free outlet.  
Performance ratings (bhp) do not include transmission losses.  
Performance ratings do not include the effects of appurtenances (accessories).

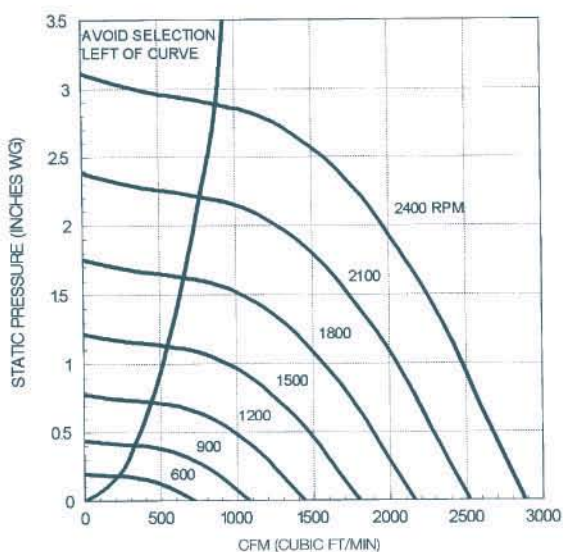
### SOUND PERFORMANCE

RPM	SP INCH W.G.	SOUND POWER RE 10 <sup>-12</sup> WATTS								
		OCTAVE BANDS								LWA
		1	2	3	4	5	6	7	8	
650	.000	52	55	50	47	47	44	37	31	51
	.375	63	65	60	55	53	51	49	46	60
950	.000	64	65	64	58	55	54	49	43	62
	.375	63	65	60	55	53	51	49	46	60
1300	.000	64	69	69	65	62	62	59	51	69
	.375	67	70	67	63	60	60	56	50	67
1650	.000	68	70	66	62	59	60	58	53	67
	.375	68	70	66	62	59	60	58	53	67
2000	.000	72	74	76	72	68	67	67	59	75
	.625	71	78	74	70	66	65	64	58	73
	1.250	72	78	73	69	65	64	64	60	73
2350	.000	78	78	82	78	73	71	73	65	81
	.500	76	82	81	77	72	69	70	64	80
	1.000	74	84	80	76	71	69	69	64	79
	2.000	76	84	80	75	70	68	69	65	78
2350	.000	81	84	85	83	78	75	76	71	85
	.500	79	86	86	82	77	74	74	69	84
	1.000	78	87	86	82	76	73	73	68	84
	2.000	75	87	85	80	75	72	73	70	83
	2.500	76	87	85	80	75	72	73	70	83

The sound power level ratings shown are in decibels, referred to 10<sup>-12</sup> watts calculated per AMCA Standard 301. Values shown are for inlet Lwi and Lwi A sound power levels for installation Type A : free inlet, free outlet. Ratings do not include the effects of duct end correction.  
The A-weighted sound ratings shown have been calculated per AMCA International standard 301.

## FCVS - 12

### AIR PERFORMANCE



Performance certified is for installation type A - free inlet, free outlet.  
Performance ratings (bhp) do not include transmission losses.  
Performance ratings do not include the effects of appurtenances (accessories).

### SOUND PERFORMANCE

RPM	SP INCH W.G.	SOUND POWER RE 10 <sup>-12</sup> WATTS								
		OCTAVE BANDS								LWA
		1	2	3	4	5	6	7	8	
550	.000	53	50	46	48	48	40	30	20	51
	.375	67	68	64	59	61	59	50	40	65
950	.000	67	67	64	57	56	54	50	44	62
	.375	67	67	64	57	56	54	50	44	62
1250	.000	70	77	74	68	65	67	60	50	73
	.375	69	77	73	67	64	65	58	51	71
1600	.000	69	77	73	67	62	62	58	52	70
	.000	72	85	82	76	69	74	69	59	80
	.750	71	85	81	75	67	68	65	59	78
1950	1.250	74	86	80	75	66	67	65	60	78
	.000	75	87	88	83	76	77	75	66	85
	.750	75	87	87	82	74	74	72	65	84
	1.250	75	87	87	82	74	72	70	65	84
2250	1.750	77	88	87	82	73	71	70	66	83
	.000	78	88	92	88	80	79	79	71	89
	1.000	77	88	92	87	79	77	76	70	88
	1.500	77	88	92	87	79	75	74	70	88
2250	2.000	79	89	92	86	79	75	74	70	88
	2.500	80	90	92	86	78	74	74	70	88

The sound power level ratings shown are in decibels, referred to 10<sup>-12</sup> watts calculated per AMCA Standard 301. Values shown are for inlet Lwi and Lwi A sound power levels for installation Type A : free inlet, free outlet. Ratings do not include the effects of duct end correction.  
The A-weighted sound ratings shown have been calculated per AMCA International standard 301.



**FCVS**

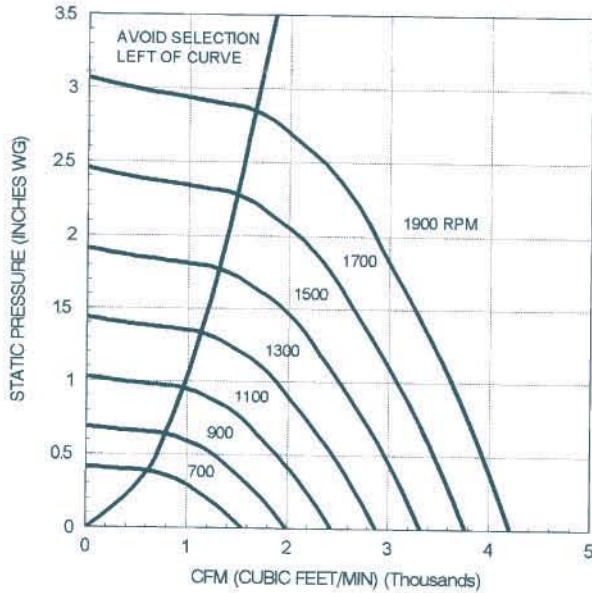


**DYNAIR®**

**Belt driven**

**FCVS - 15**

**AIR PERFORMANCE**



Performance certified is for installation type A - free inlet, free outlet.  
Performance ratings (bhp) do not include transmission losses.  
Performance rating do not include the effects of appurtenances(accessories).

**SOUND PERFORMANCE**

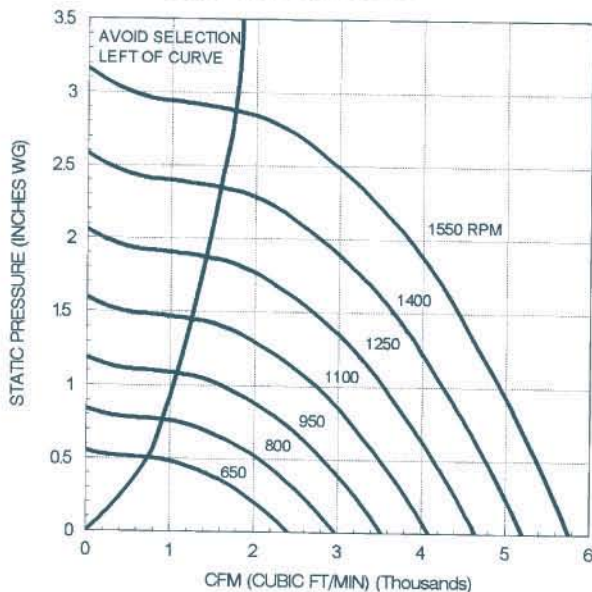
RPM	SP INCH W.G.	SOUND POWER RE 10 <sup>12</sup> WATTS								
		OCTAVE BANDS								
		1	2	3	4	5	6	7	8	LWA
550	.000	62	64	60	55	53	48	41	33	58
	.375	72	74	71	68	64	60	55	49	70
800	.000	80	81	81	76	70	67	61	54	77
	.375	79	80	79	76	71	67	62	56	77
1050	.750	81	79	79	76	72	68	63	58	78
	.000	84	87	87	82	76	72	68	61	84
1300	.750	83	86	86	82	78	73	68	63	84
	1.250	85	86	85	82	78	74	70	64	84
1550	.000	87	92	93	88	82	77	73	67	89
	.750	86	91	92	87	82	78	73	67	87
	1.250	87	91	91	87	83	78	74	68	89
1750	1.750	88	91	91	87	83	79	74	70	89
	.000	89	95	96	92	85	80	77	71	93
	1.000	88	94	95	91	86	81	76	71	92
1750	1.500	89	95	94	90	86	81	77	72	92
	2.000	89	95	94	90	86	82	78	73	92
	2.500	90	95	94	90	87	82	78	73	92

The sound power level ratings shown are in decibels, referred to 10<sup>12</sup> watts calculated per AMCA Standard 301. Values shown are for inlet Lwi and Lwi A sound power levels for installation Type A : free inlet, free outlet. Ratings do not include the effects of duct end correction.  
The A-weighted sound ratings shown have been calculated per AMCA International standard 301.

section 4  
page 97

**FCVS - 18**

**AIR PERFORMANCE**



Performance certified is for installation type A - free inlet, free outlet.  
Performance ratings (bhp) do not include transmission losses.  
Performance rating do not include the effects of appurtenances(accessories).

**SOUND PERFORMANCE**

RPM	SP INCH W.G.	SOUND POWER RE 10 <sup>12</sup> WATTS								
		OCTAVE BANDS								
		1	2	3	4	5	6	7	8	LWA
550	.000	67	66	59	59	58	53	46	39	62
	.750	76	75	70	66	66	62	56	49	70
750	.500	72	70	64	59	58	56	52	46	64
	.000	78	81	76	72	71	69	64	58	76
950	.375	78	79	75	70	68	66	61	55	74
	.625	76	78	73	68	66	64	60	56	72
1150	.000	84	85	84	77	75	74	69	64	82
	1.000	82	82	80	72	70	69	65	61	77
1350	1.500	81	81	79	72	69	68	65	61	76
	.000	88	89	90	81	79	78	74	69	86
1350	1.000	87	87	87	78	75	74	71	66	83
	1.500	86	86	85	76	73	72	70	66	81
	2.000	86	85	85	76	73	72	69	66	81
1500	.000	91	91	94	84	81	81	77	72	89
	1.000	90	90	92	82	79	78	74	69	87
	1.500	89	89	90	80	77	76	73	69	86
	2.000	88	88	89	79	75	75	72	68	84
1500	2.500	89	88	89	79	75	75	72	68	84

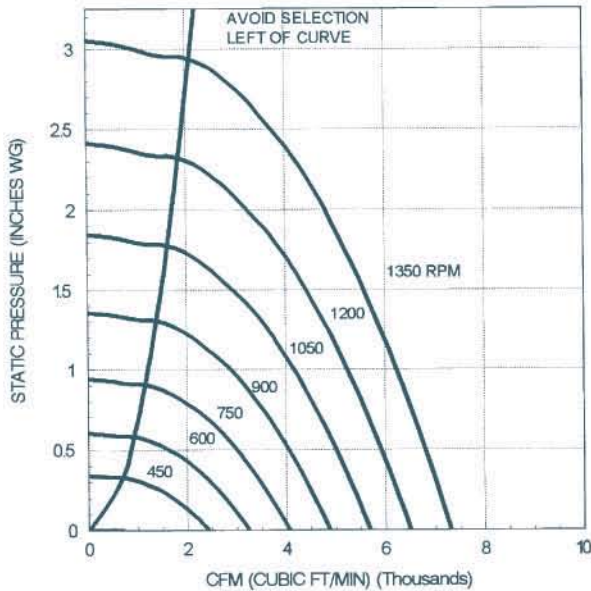
The sound power level ratings shown are in decibels, referred to 10<sup>12</sup> watts calculated per AMCA Standard 301. Values shown are for inlet Lwi and Lwi A sound power levels for installation Type A : free inlet, free outlet. Ratings do not include the effects of duct end correction.  
The A-weighted sound ratings shown have been calculated per AMCA International standard 301.



Belt driven

### FCVS - 21

#### AIR PERFORMANCE



Performance certified is for installation type A - free inlet, free outlet.  
 Performance ratings (bhp) do not include transmission losses.  
 Performance rating do not include the effects of appurtenances(accessories).

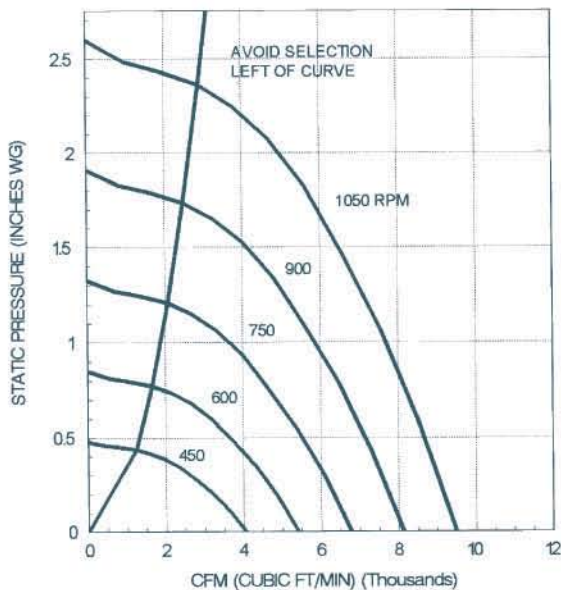
#### SOUND PERFORMANCE

RPM	SP INCH W.G.	SOUND POWER RE 10 <sup>-12</sup> WATTS								
		OCTAVE BANDS								LWA
		1	2	3	4	5	6	7	8	
400	.000	59	59	57	57	55	50	43	37	59
	.500	70	71	61	60	62	60	53	46	66
600	.000	68	72	66	66	67	62	56	49	70
	.375	77	77	73	69	68	66	61	55	74
	.750	78	77	72	66	67	66	61	54	73
775	.000	77	77	75	72	72	69	64	57	76
	.375	77	77	73	69	68	66	61	55	74
	.750	78	77	72	66	67	66	61	54	73
950	.000	84	82	82	77	76	75	70	64	82
	.500	84	82	80	74	73	72	67	61	79
	1.250	85	83	80	71	71	72	67	60	78
1125	.000	90	85	87	81	79	80	75	69	86
	1.000	89	87	86	77	75	77	72	66	83
	1.500	90	87	86	76	74	76	73	66	83
	2.000	90	87	86	76	74	76	73	68	83
1300	.000	93	90	91	85	83	83	79	73	90
	1.000	91	91	90	83	80	80	76	71	88
	1.500	92	91	90	82	78	79	76	70	87
	2.000	93	92	90	81	77	79	77	70	87
	2.750	93	92	90	80	77	79	77	70	87

The sound power level ratings shown are in decibels, referred to 10<sup>-12</sup> watts calculated per AMCA Standard 301. Values shown are for inlet Lwi and Lwi A sound power levels for installation Type A : free inlet, free outlet. Ratings do not include the effects of duct end correction.  
 The A-weighted sound ratings shown have been calculated per AMCA International standard 301.

### FCVS - 24

#### AIR PERFORMANCE



Performance certified is for installation type A - free inlet, free outlet.  
 Performance ratings (bhp) do not include transmission losses.  
 Performance rating do not include the effects of appurtenances(accessories).

#### SOUND PERFORMANCE

RPM	SP INCH W.G.	SOUND POWER RE 10 <sup>-12</sup> WATTS								
		OCTAVE BANDS								LWA
		1	2	3	4	5	6	7	8	
400	.000	69	68	61	59	60	59	50	40	65
550	.000	76	78	72	67	66	67	61	51	73
	.375	75	75	68	64	64	62	57	50	69
	.625	74	75	67	62	63	62	56	50	68
700	.000	82	84	80	73	71	72	70	60	79
	.500	81	82	78	71	69	69	64	58	76
	.750	82	81	77	69	68	69	64	57	75
	1.000	82	81	77	68	68	68	64	57	75
850	.000	87	89	87	78	75	76	76	67	84
	.500	86	88	85	77	73	75	72	65	82
	.750	86	87	85	76	72	75	70	64	82
	1.000	87	87	84	75	72	74	70	63	81
	1.500	87	86	84	73	71	73	70	63	81
1000	.000	90	93	92	84	79	80	81	73	89
	.500	90	92	91	83	78	79	78	71	87
	1.000	90	91	89	81	76	78	75	69	86
	1.500	90	91	89	80	76	77	75	68	85
	2.000	91	90	89	79	75	77	74	68	85

The sound power level ratings shown are in decibels, referred to 10<sup>-12</sup> watts calculated per AMCA Standard 301. Values shown are for inlet Lwi and Lwi A sound power levels for installation Type A : free inlet, free outlet. Ratings do not include the effects of duct end correction.  
 The A-weighted sound ratings shown have been calculated per AMCA International standard 301.



**FCVS**

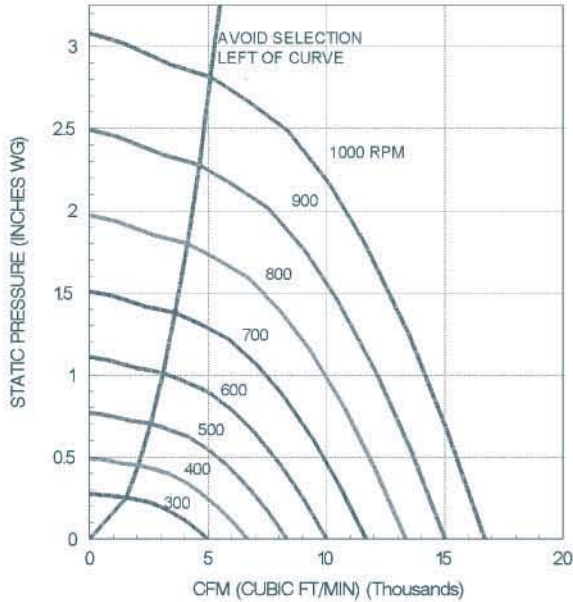


**DYN AIR®**

**Belt driven**

**FCVS - 30**

**AIR PERFORMANCE**



Performance certified is for installation type A - free inlet, free outlet.  
 Performance ratings (bhp) do not include transmission losses.  
 Performance rating do not include the effects of appurtenances(accessories).  
 The AMCA certified Ratings Seal does not apply to this model

**SOUND PERFORMANCE**

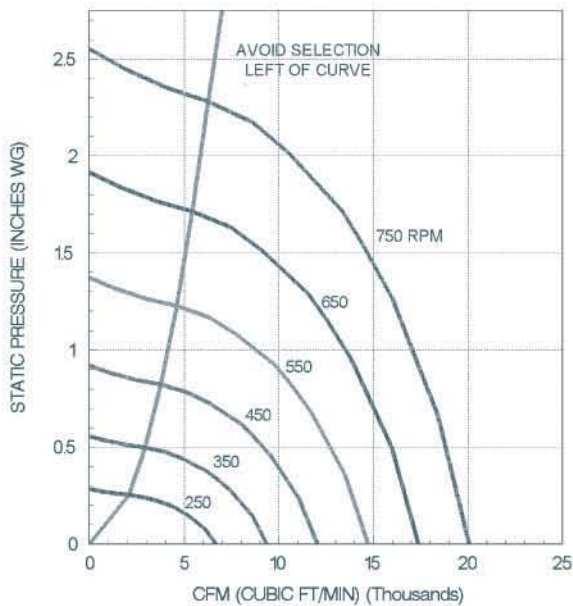
RPM	SP INCH W.G.	SOUND POWER RE 10 <sup>-12</sup> WATTS								
		OCTAVE BANDS								
		1	2	3	4	5	6	7	8	LWA
275	.000	64	61	60	60	56	49	43	37	61
	.375	70	64	58	58	57	52	48	43	61
375	.000	73	70	66	67	65	59	52	46	69
	.375	77	74	67	66	65	61	56	51	69
	.625	77	72	65	63	62	59	54	50	67
475	.000	78	78	73	72	71	66	60	53	75
	.375	77	74	67	66	65	61	56	51	69
	.625	77	72	65	63	62	59	54	50	67
575	.000	82	83	79	76	76	72	66	59	80
	.500	81	81	74	71	70	67	62	57	75
	.750	82	79	71	67	67	64	60	55	72
675	.000	85	88	84	80	80	77	71	64	84
	.500	85	87	81	76	76	73	68	62	81
	1.000	86	85	77	71	70	69	64	60	77
	1.250	86	85	77	71	70	69	64	60	77
775	.000	88	93	88	83	83	82	75	69	88
	.500	88	91	86	80	80	79	73	67	86
	.750	88	91	85	78	79	77	71	66	84
	1.000	88	90	83	76	76	75	70	65	83
	1.500	89	90	81	74	74	73	68	64	81

The sound power level ratings shown are in decibels, referred to 10<sup>-12</sup> watts calculated per AMCA Standard 301. Values shown are for inlet Lwi and Lwi A sound power levels for installation Type A : free inlet, free outlet. Ratings do not include the effects of duct end correction.  
 The A-weighted sound ratings shown have been calculated per AMCA International standard 301.

section 4  
page 99

**FCVS - 36**

**AIR PERFORMANCE**



Performance certified is for installation type A - free inlet, free outlet.  
 Performance ratings (bhp) do not include transmission losses.  
 Performance rating do not include the effects of appurtenances(accessories).  
 The AMCA certified Ratings Seal does not apply to this model

**SOUND PERFORMANCE**

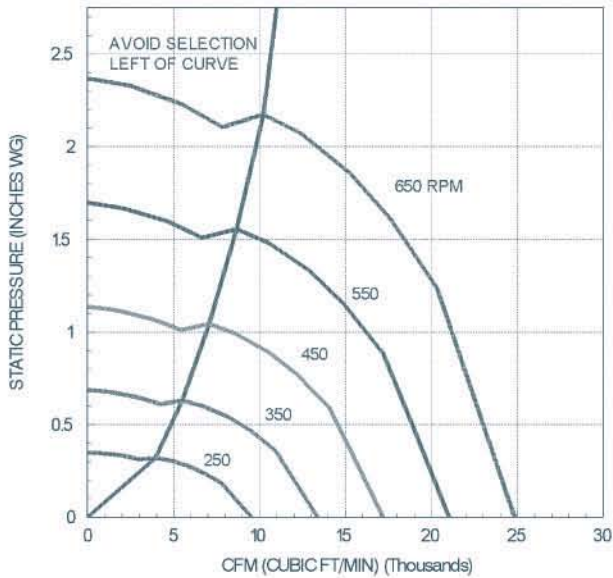
RPM	SP INCH W.G.	SOUND POWER RE 10 <sup>-12</sup> WATTS								
		OCTAVE BANDS								
		1	2	3	4	5	6	7	8	LWA
250	.000	71	67	63	61	59	60	61	61	67
	.375	73	68	63	61	59	56	51	47	64
325	.000	78	75	70	67	65	65	66	66	73
	.375	73	68	63	61	59	56	51	47	64
	.625	80	74	69	65	64	60	55	51	69
400	.000	83	82	76	72	70	69	70	71	78
	.375	81	78	72	68	66	66	64	58	73
	.625	80	74	69	65	64	60	55	51	69
475	.000	87	87	82	77	74	73	74	74	82
	.500	86	84	78	72	71	70	70	64	78
	.750	86	81	75	70	69	67	64	59	75
550	.000	91	92	86	80	78	76	77	78	86
	.500	91	90	83	77	76	73	76	71	83
	1.000	91	86	80	74	73	71	68	63	79
	1.250	91	85	78	72	72	69	63	59	78
600	.000	93	94	89	83	80	78	79	79	88
	.500	92	93	87	80	78	76	78	74	86
	.750	92	92	85	78	77	75	77	72	85
	1.000	93	90	84	77	76	74	73	68	83
	1.250	93	89	82	76	75	73	69	65	81

The sound power level ratings shown are in decibels, referred to 10<sup>-12</sup> watts calculated per AMCA Standard 301. Values shown are for inlet Lwi and Lwi A sound power levels for installation Type A : free inlet, free outlet. Ratings do not include the effects of duct end correction.  
 The A-weighted sound ratings shown have been calculated per AMCA International standard 301.

## FCVS - 42

Belt driven

### AIR PERFORMANCE



Performance certified is for installation type A - free inlet, free outlet.  
Performance ratings (bhp) do not include transmission losses.  
Performance rating do not include the effects of appurtenances(accessories).  
The AMCA certified Ratings Seal does not apply to this model

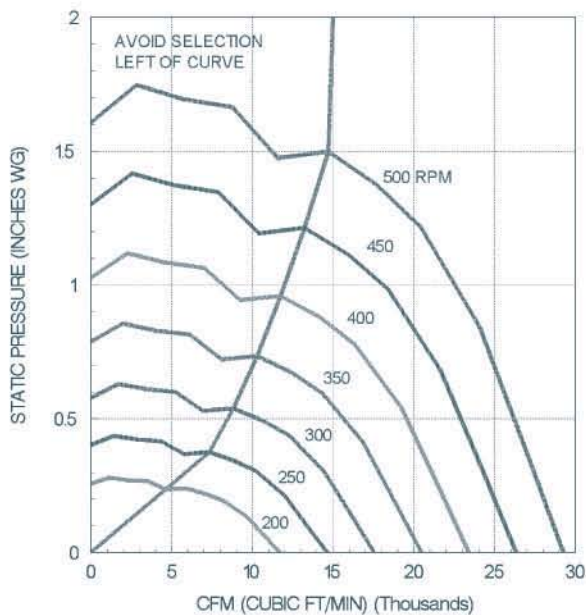
### SOUND PERFORMANCE

RPM	SP INCH W.G.	SOUND POWER RE 10 <sup>-12</sup> WATTS								
		OCTAVE BANDS								LWA
		1	2	3	4	5	6	7	8	
215	.000	68	67	63	60	58	59	51	42	64
	.375	75	73	70	67	63	65	59	51	71
275	.000	72	68	63	61	58	54	48	42	64
	.250	82	79	76	72	69	69	66	57	76
335	.000	82	78	73	69	66	67	62	50	73
	.500	80	75	70	67	64	61	56	48	70
390	.000	87	83	80	76	73	71	71	62	80
	.375	87	82	77	72	70	69	67	55	77
	.750	86	78	74	70	68	64	59	52	73
445	.000	91	87	84	80	76	73	75	67	83
	.375	91	86	82	76	74	72	73	62	81
	.750	91	84	79	74	72	69	67	58	79
	1.000	91	82	78	73	71	68	62	56	77
500	.000	95	90	87	83	80	75	79	71	86
	.500	95	90	85	79	77	74	77	66	84
	.750	95	89	84	78	76	73	75	64	83
	1.000	95	87	83	77	75	72	70	62	82
	1.250	96	86	81	76	74	71	66	60	80

The sound power level ratings shown are in decibels, referred to 10<sup>-12</sup> watts calculated per AMCA Standard 301. Values shown are for inlet Lwi and Lwi A sound power levels for installation Type A : free inlet, free outlet. Ratings do not include the effects of duct end correction.  
The A-weighted sound ratings shown have been calculated per AMCA International standard 301.

## FCVS - 48

### AIR PERFORMANCE



Performance certified is for installation type A - free inlet, free outlet.  
Performance ratings (bhp) do not include transmission losses.  
Performance rating do not include the effects of appurtenances(accessories).  
The AMCA certified Ratings Seal does not apply to this model

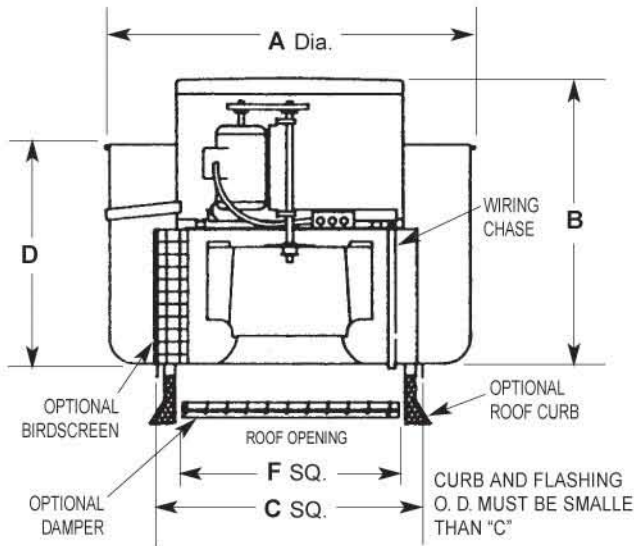
### SOUND PERFORMANCE

RPM	SP INCH W.G.	SOUND POWER RE 10 <sup>-12</sup> WATTS								
		OCTAVE BANDS								LWA
		1	2	3	4	5	6	7	8	
200	.000	77	69	65	63	59	59	52	44	66
	.250	83	77	72	69	65	64	59	52	72
250	.000	82	74	66	64	62	60	53	45	68
	.250	89	84	77	73	70	68	65	58	77
300	.000	89	82	73	69	68	66	62	52	74
	.500	89	81	72	67	67	64	59	51	73
350	.000	93	89	81	77	74	71	70	63	81
	.375	94	87	78	72	71	69	66	57	78
	.625	94	87	77	70	71	68	64	56	77
400	.000	97	94	85	80	78	74	74	67	85
	.250	98	93	83	77	76	73	73	64	83
	.500	98	92	82	74	75	72	71	62	82
	.750	99	92	81	73	74	71	68	60	82
450	.000	99	98	89	84	81	77	77	71	88
	.250	100	97	88	81	79	76	76	69	87
	.500	100	96	87	79	78	76	75	67	86
	.750	101	96	86	78	77	75	73	65	86
	1.000	101	96	86	77	77	74	71	64	85

The sound power level ratings shown are in decibels, referred to 10<sup>-12</sup> watts calculated per AMCA Standard 301. Values shown are for inlet Lwi and Lwi A sound power levels for installation Type A : free inlet, free outlet. Ratings do not include the effects of duct end correction.  
The A-weighted sound ratings shown have been calculated per AMCA International standard 301.

Belt driven

## ASSEMBLY DIMENSIONS & DRAWING



### STANDARD FEATURES

- Spun and shaped aluminum housing.
- Integral drain opening.
- Integral motor overload protection on all standard single phase motors.
- Disconnect switch on all motors except explosion proof.
- Adjustable motor sheave factory preset to requested RPM.
- Dual drive belts furnished on 5 HP and above.
- Ventilated motor compartment with motor out of airstream.
- Non-overloading, backwardly inclined wheel.
- Isolated, suspended motor wheel-drive assembly.
- Spark resistant construction through size 24.
- Polished CRS fan shaft with rust inhibitive coating.
- Pillow Block Bearing L<sub>50</sub> = 200,000 Hrs.

**DIMENSIONS (Listed In Millimeters)**

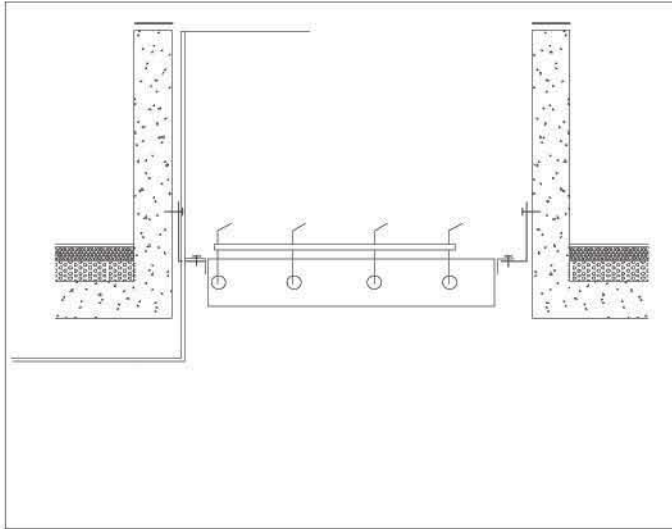
Unit Size	Unit Diameter A	Unit Height B		Inside Curb Cap C	Outer Shroud Height D	Roof Opening Square F	Curb O. D. Square	Damper Size Square	Approx. Wt. Less Motor [Kgs.]
		Standard Height	Extended Height						
06	651	540	660	394	302	279	356	254	18
08	654	575	679	394	324	279	356	254	18
10	702	591	711	448	381	330	406	305	20
12	705	632	752	448	422	330	406	305	20
15	832	708	829	521	514	406	483	381	30
18	984	740	838	635	606	521	597	483	39
21	1118	851	953	714	606	597	673	559	55
24	1219	927	1029	791	670	673	749	660	68
30	1422	1060	1232	1019	879	902	978	864	100
36	1651	1133	1305	1172	902	1054	1130	1016	159
42	1854	1229	1400	1375	959	1257	1334	1219	241
48	2057	1286	1457	1476	987	1359	1435	1321	266

**MATERIAL AND THICKNESS (Listed In Millimeters)**

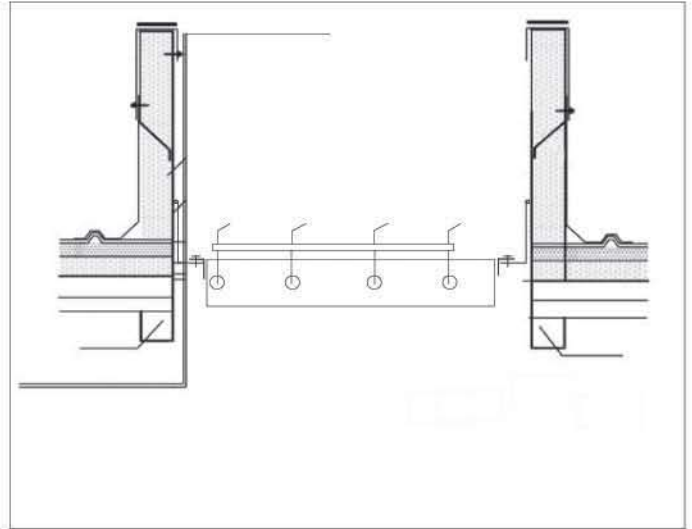
Unit Size	Motor Cover		Shroud		Curb Cap [Alum.]	Shaft Dia. [CRS]	Standard Wheel	Diffuser [Galv. Steel]	Support Frame [Steel Angle]
	Lid [Alum.]	Tube [Alum.]	Upper [Alum.]	Outer/Lower [Alum.]					
06	1.6	1.0	—	2.0	1.3	19	Alum.	22 ga.	—
08	1.6	1.0	—	2.0	1.3	19	Alum.	22 ga.	—
10	1.6	1.0	—	2.0	1.6	19	Alum.	22 ga.	—
12	1.6	1.0	—	2.0	1.6	19	Alum.	22 ga.	—
15	1.6	1.0	—	2.0	1.6	19	Alum.	22 ga.	—
18	1.6	1.0	1.6	2.0	1.6	19	Alum.	18 ga.	—
21	1.6	1.0	1.6	2.0	1.6	25	Alum.	18 ga.	—
24	1.6	1.0	1.6	2.0	1.6	25	Alum.	18 ga.	—
30	2.0	1.6	1.6	2.0	2.0	30	Steel	—	38x38x3
36	2.0	1.6	1.6	2.0	2.0	37	Steel	—	38x38x6
42	2.0	1.6	1.6	2.0	2.0	49	Steel	—	38x38x6
48	2.0	1.6	1.6	2.0	2.0	49	Steel	—	38x38x6

**ROOF CURB FABRICATION DETAIL**

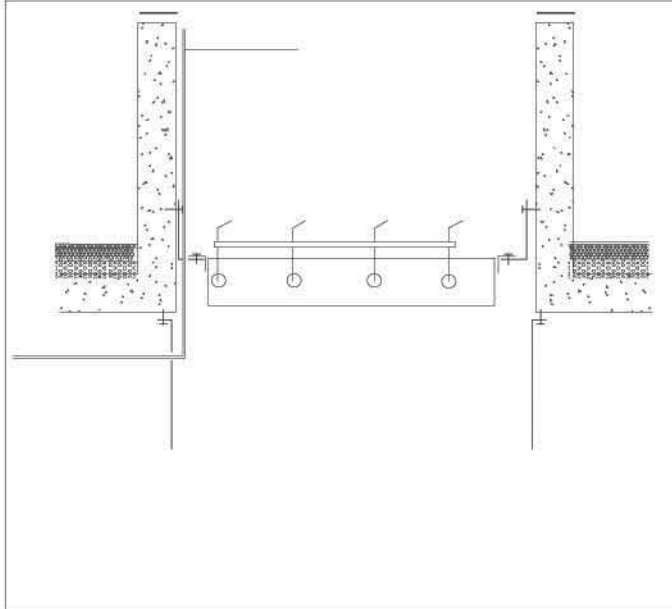
**NON DUCTED**



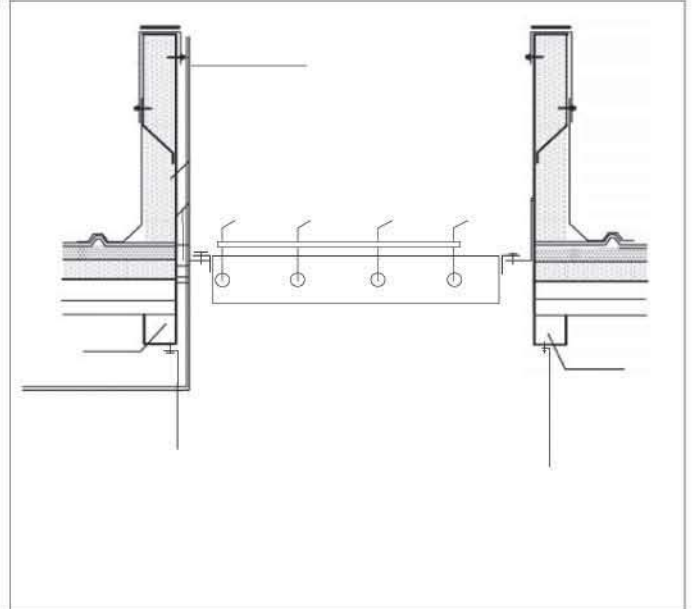
**NON DUCTED**



**DUCTED**



**DUCTED**



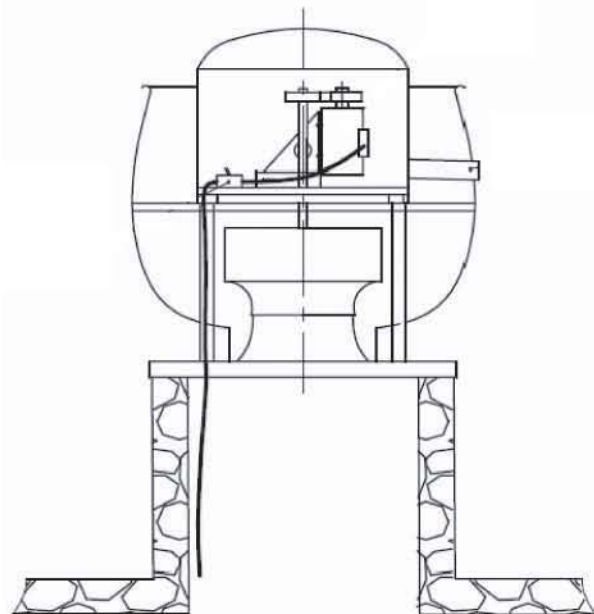
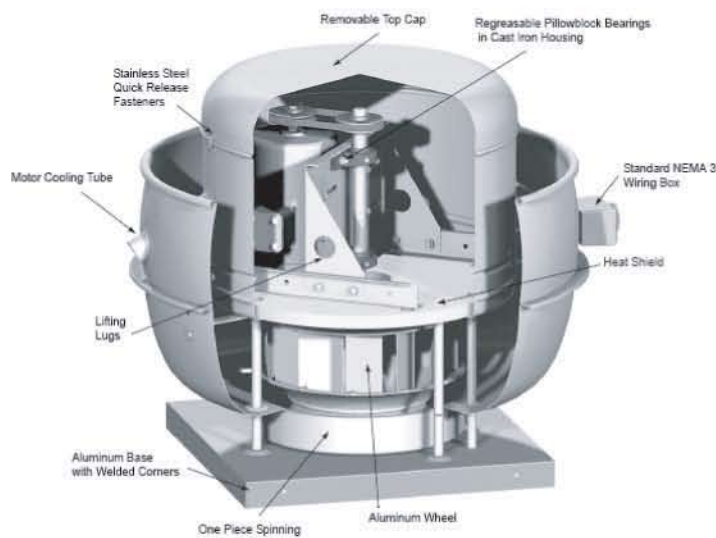


## INSTALLATION INSTRUCTION

See attached drawing for fan size and Roof curb opening size. The roof opening size shall be provided to the contractor at early stage when the roof is under construction.

### Roof curb fabrication

The contractor is the only party who is responsible for the fabrication and procedures to make a roof curb attached drawing is for reference only. The thickness of curb wall shall be different according to the material. concrete wall shall be between 70~80mm, steel structure shall be between 30~45mm.



Electric wire run through curb to fan

As to the metal where the fan contact the curb in the top, a linear rubber vibration isolation pad shall be applied, also acts as seal. The thickness of the pad shall be decided according to the fan weight, and the hardness shall make sure it still maintain proper elasticity after fan is seated. The pad can be cut from typical carpet type isolation pads and are to be provided by contractors. It is prohibited to drill holes on any part of the fan body for wiring. Fan shall be furnished with conduit to lead the power supply wiring through the curb to the motor chamber.

### Fan Mounting

Pull the fan curb cap on to the curb, and fix it at all four sides by self-tapping screw, as per attached drawing. The fan must be kept leveled.

### Back-draft damper Mounting

Make sure the damper blades can be fully open to 90 degree when the fan starts, and shut down automatically by gravity after fan is stopped.



