

AXIAL FLOW FAN DIRECT DRIVEN

Series TDA

Construction

Double flanged casing is produced in mild steel or galvanised steel.
The impeller having manually adjustable pitch blades is made of Aluminium.

Finish

Painting or galvanised after manufacture are normal finishes on all parts.

Operating Temperature

-20°C to +55°C

Motors

Totally enclosed Class 'F' motor, to a min. IP54 protection are fitted as standard. Standard motor up to 2.2kW are usually supplied on DOL starting, motor 3.0kW and above are star/ delta starting.

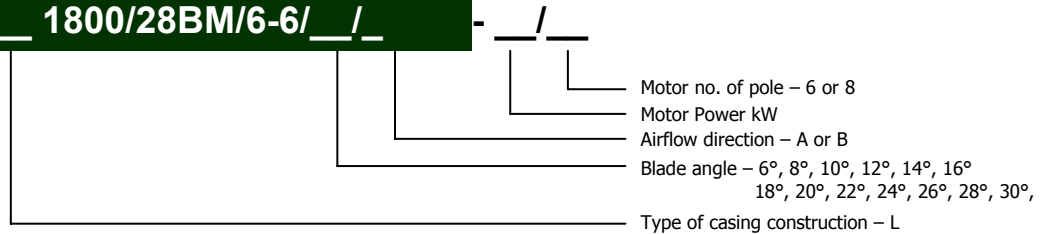
Airflow Direction

Air flowing from impeller to motor (B) is fitted as standard. Air flowing from motor to impeller (A) can be supplied on request.

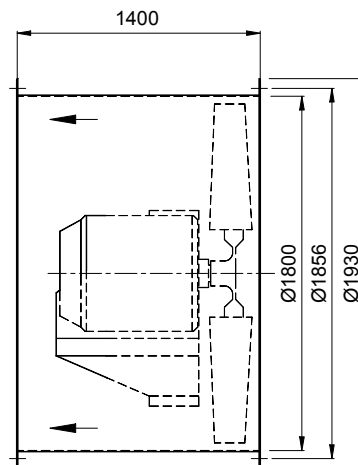
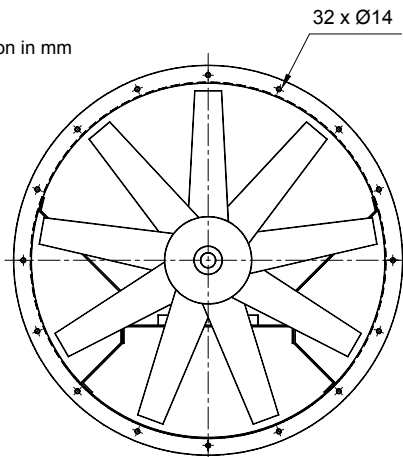


Kruger Ventilation Industries Pte Ltd certifies that the TDA 1800 shown herein is licensed to bear the AMCA Seal. The ratings shown are based on tests and procedures performed in accordance with AMCA publication 211 and comply with the requirements of the AMCA Certified Ratings Program.

MODEL: TDA-__ 1800/28BM/6-6/__/_/

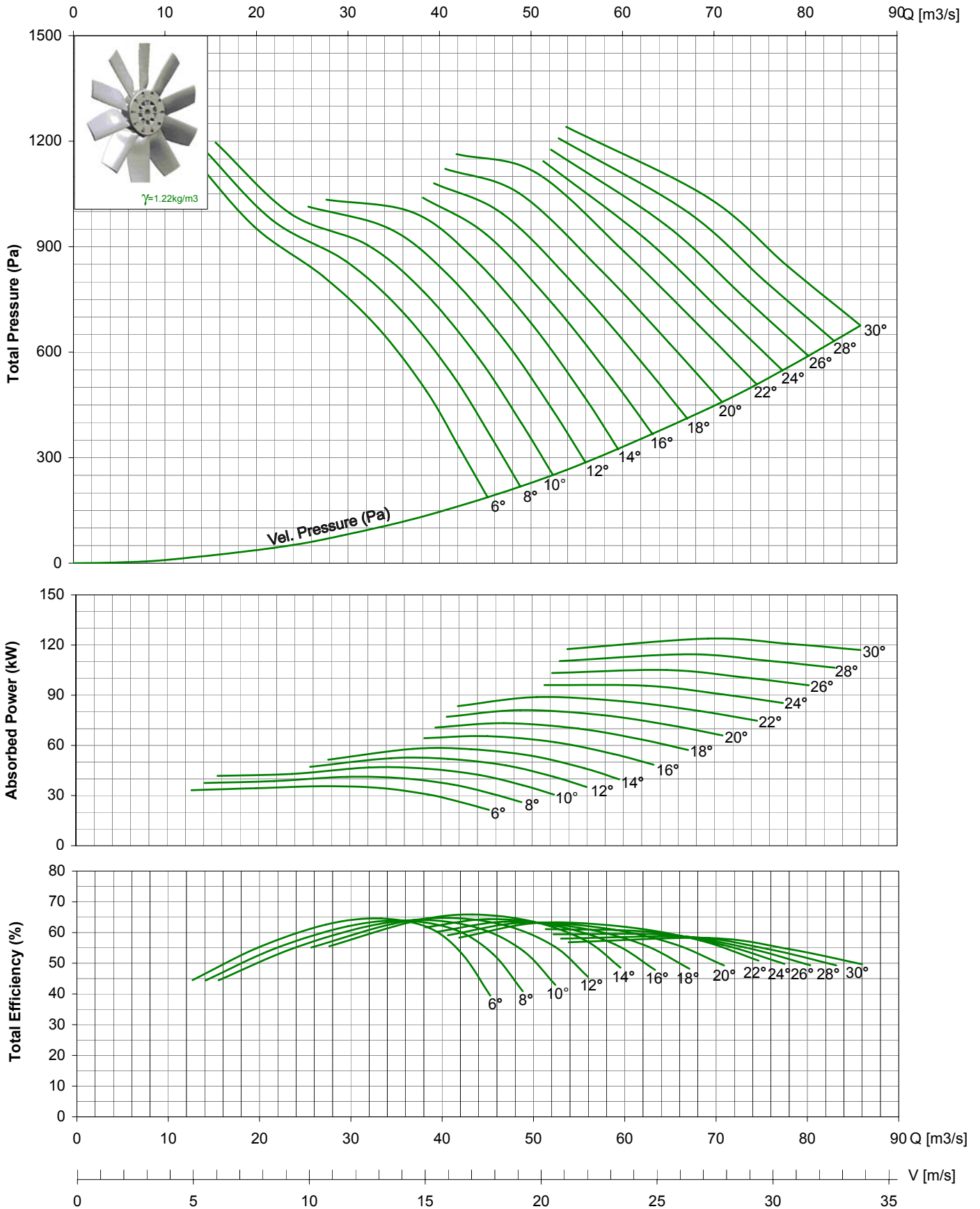


* All Dimension in mm



TDA 1800/28BM/ 6-6/ __ / _

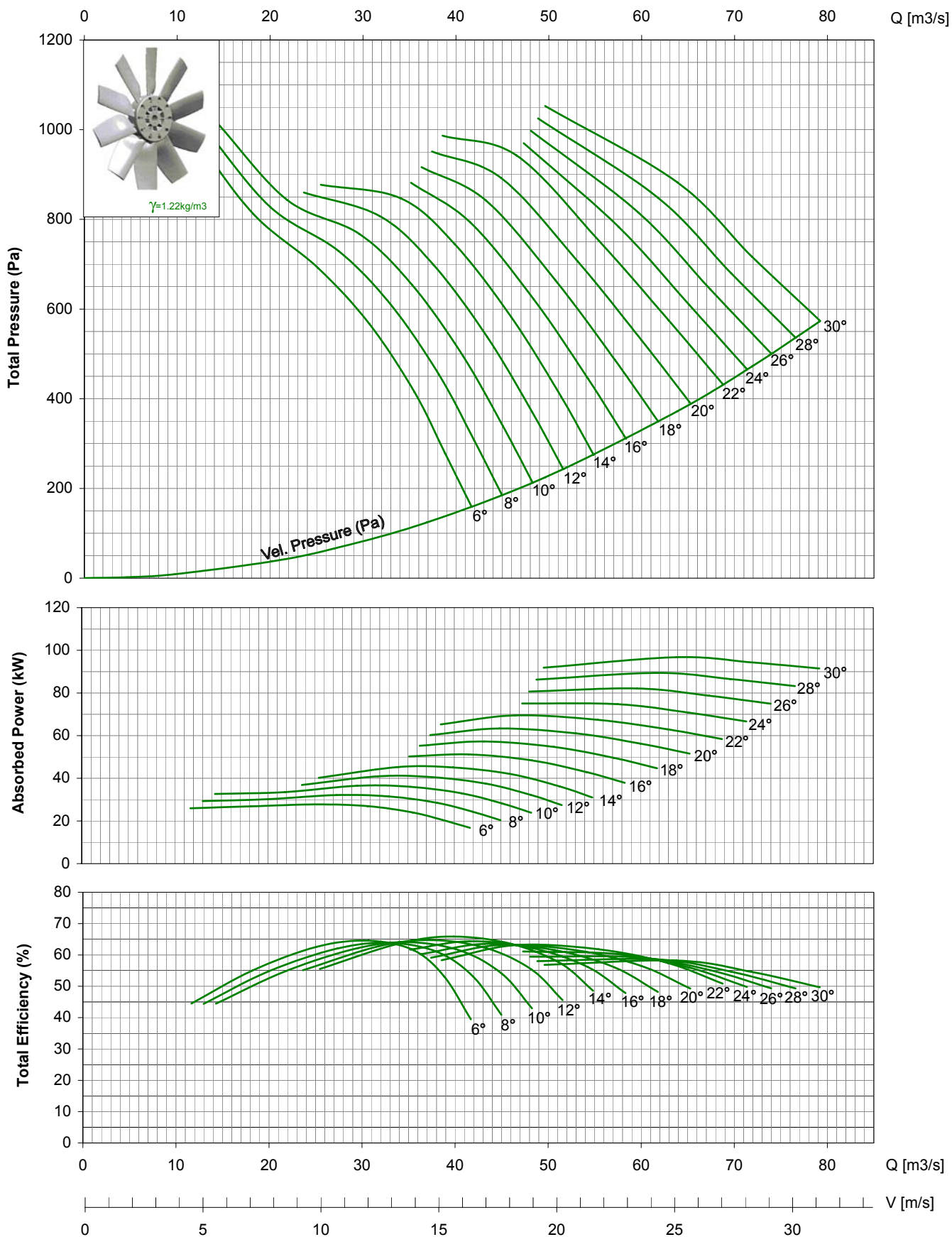
950rpm - 50Hz



- Performance certified is for installation type D - ducted inlet, ducted outlet. Performance ratings do not include the effects of appurtenances (accessories).
 - The AMCA Certified Ratings Seal applies to air performance ratings only.

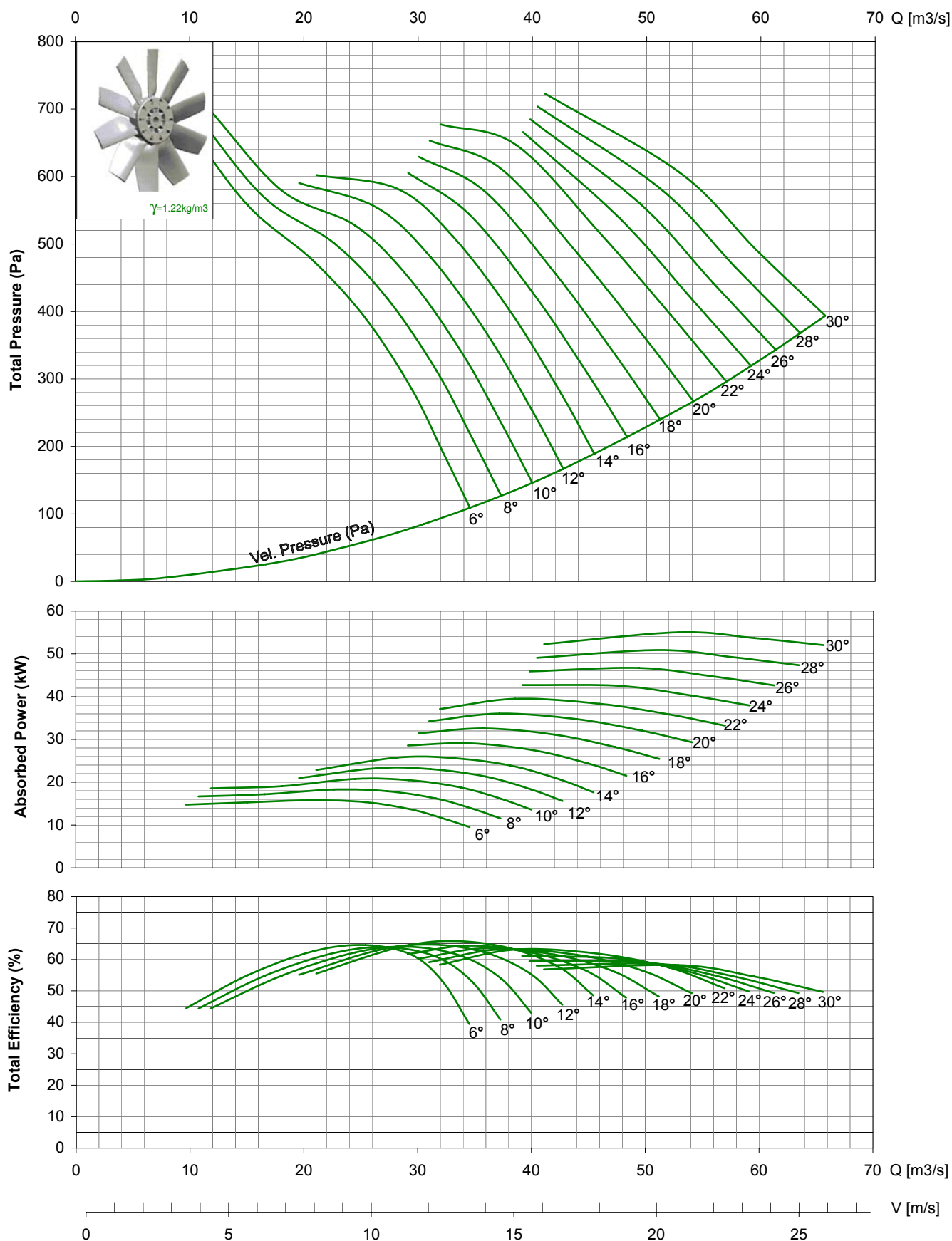
TDA 1800/ 28BM/ 6-6/ __ / _

875rpm - 60Hz



- Performance certified is for installation type D - ducted inlet, ducted outlet. Performance ratings do not include the effects of appurtenances (accessories).
 - The AMCA Certified Ratings Seal applies to air performance ratings only.

TDA 1800/28BM/ 6-6/ _ _ / _ 725rpm - 50Hz



- Performance certified is for installation type D - ducted inlet, ducted outlet. Performance ratings do not include the effects of appurtenances (accessories).
 - The AMCA Certified Ratings Seal applies to air performance ratings only.