

FG EC SERIES

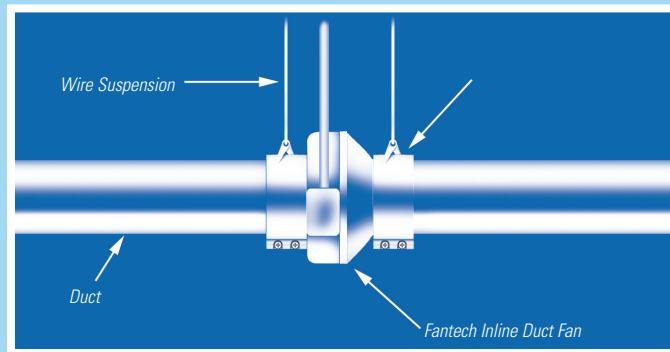
INLINE DUCT FANS NOW AVAILABLE WITH EC MOTORS

The company that invented the circular duct fan more than thirty years ago has taken the inline duct fan and improved its performance and energy efficiency with EC (electronically commutated) motors.

Driven by EC technology, the fans now consume an average of 30% less energy than standard AC fans.

EC motors use intelligent technology with integral electronic controls to ensure energy savings no matter what the airflow demands. Reduced energy usage results in lower operating costs. The motors develop less heat so significantly less maintenance is needed and the lifetime of the motor is increased.

Virtually airtight galvanized steel housings meet code requirements for both residential and commercial applications.



5 MODELS TO CHOOSE FROM:

- 6" to 12" duct diameters
- 363 to 805 CFM
- 100% speed controllable
- Pre-wired potentiometer (0-10V)
- Automatic reset thermal overload protection
- Five-year factory warranty
- UL Listed

**FIVE
YEAR
WARRANTY**



Fantech, Inc. certifies that the models shown herein are licensed to bear the AMCA Seal. The ratings are based on tests and procedures performed in accordance with AMCA Publication 211 and comply with the requirements of the AMCA Certified Ratings Program.

Look for the Energy Star Rated Models in Performance Data Chart on back page

EC TECHNOLOGY

- More efficient than an AC motor – **consumes 30% less energy!**
- Integrated electronic controls ensure fans run at optimal load no matter what the airflow demands
- Reduced operating costs
- Less maintenance
- Longer motor life
- Less wiring at installation

Simplified Installation:

The FG EC Series features new longer duct connections for easier installation. Fans are prewired and include bracket for mounting to wall or ceiling. Integrated controls mean less wiring is needed.

Straight-through airflow allows fans to be installed at any angle at any point along the ductwork.

*Also Available:
FGC EC SERIES
Fans prewired with
six foot cord and plug.*

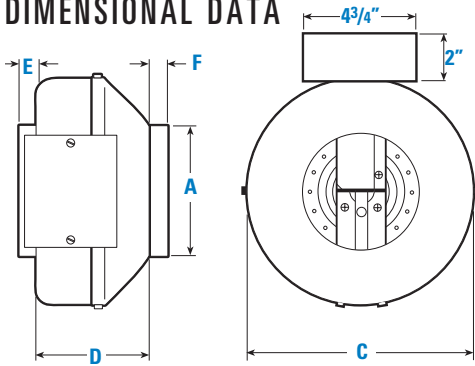


FG EC SERIES

FROM RESIDENTIAL TO COMMERCIAL



DIMENSIONAL DATA



| Model | †A | C | D | E | F |
|------------|----|--------------------------------|---------------------------------|--------------------------------|---------------------------------|
| FG 6M EC | 6 | 13 ¹ / ₈ | 6 ⁵ / ₈ | 1 | 1 |
| FG 8 EC | 8 | 13 ³ / ₈ | 6 | 1 ¹ / ₈ | 1 ¹ / ₈ |
| FG 10 EC | 10 | 13 ³ / ₈ | 4 ¹¹ / ₁₆ | 1 ¹ / ₈ | 1 |
| FG 12 EC | 12 | 16 | 8 ¹ / ₄ | 1 ¹ / ₁₆ | 13 ¹ / ₁₆ |
| FG 12XL EC | 12 | 16 | 8 ¹ / ₄ | 1 ¹ / ₁₆ | 13 ¹ / ₁₆ |

All dimensions in inches. † Duct connections are 1/8" smaller than duct size.



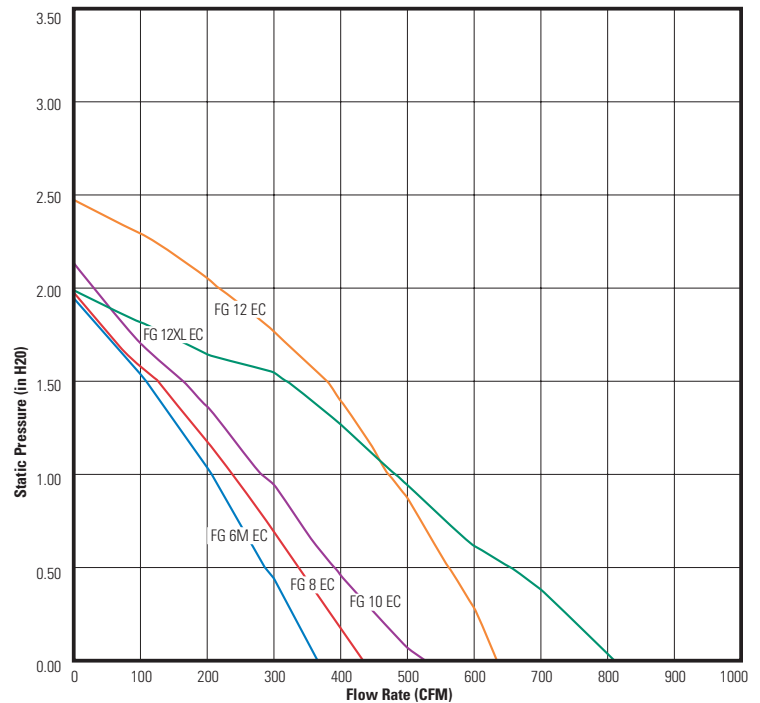
Fantech, Inc. certifies that the models shown herein are licensed to bear the AMCA Seal. The ratings are based on tests and procedures performed in accordance with AMCA Publication 211 and comply with the requirements of the AMCA Certified Ratings Program.



Look for the Energy Star Rated Models in Performance Data Chart.



AIR PERFORMANCE GRAPHS



PERFORMANCE DATA

| Fan Model | Energy Star | RPM | Voltage | Rated Watts | Max. Amps | Static Pressure in Inches W.G. | | | | | | | | | | Max. Ps | Duct Dia. | CFM/Watt* |
|------------|-------------|------|---------|-------------|-----------|--------------------------------|------|------|------|------|------|------|-------|------|------|---------|-----------|-----------|
| | | | | | | 0" | 0.1" | 0.2" | 0.4" | 0.6" | 0.8" | 1.0" | 1.25" | 1.5" | 2.0" | | | |
| FG 6M EC | ✓ | 2480 | 120 | 77.6 | 1.32 | 363 | 349 | 330 | 302 | 271 | 239 | 206 | 161 | 113 | - | 1.92 | 6" | 4.25 |
| FGC 6M EC | ✓ | 2480 | 120 | 77.6 | 1.32 | 363 | 349 | 330 | 302 | 271 | 239 | 206 | 161 | 113 | - | 1.92 | 6" | 4.25 |
| FG 8 EC | ✓ | 2545 | 120 | 75.5 | 1.32 | 428 | 410 | 390 | 353 | 314 | 275 | 239 | 184 | 121 | - | 1.95 | 8" | 5.17 |
| FGC 8 EC | ✓ | 2545 | 120 | 75.5 | 1.32 | 428 | 410 | 390 | 353 | 314 | 275 | 239 | 184 | 121 | - | 1.95 | 8" | 5.17 |
| FG 10 EC | ✓ | 2380 | 120 | 90.5 | 1.32 | 513 | 489 | 460 | 413 | 363 | 325 | 283 | 223 | 160 | 30 | 2.13 | 10" | 5.08 |
| FGC 10 EC | ✓ | 2380 | 120 | 90.5 | 1.32 | 513 | 489 | 460 | 413 | 363 | 325 | 283 | 223 | 160 | 30 | 2.13 | 10" | 5.08 |
| FG 12 EC | ✓ | 2665 | 120 | 141.2 | 2.10 | 633 | 621 | 600 | 577 | 542 | 506 | 467 | 423 | 379 | 21 | 2.45 | 12" | 4.25 |
| FG 12XL EC | ✓ | 2510 | 120 | 169.7 | 2.10 | 805 | 780 | 750 | 686 | 615 | 537 | 474 | 402 | 315 | - | 1.96 | 12" | 4.42 |

HVI Ratings @ 0.2" Static Pressure Only. Performance certified is for installation type D – Ducted inlet, Ducted outlet. Speed (RPM) shown is nominal. Performance based on actual speed of test. Performance ratings do not include the effect of appurtenance (accessories).

Also available: FGC EC Series fans pre-wired with six foot cord and plug. Models include FGC 6M EC, FGC 8 EC or FGC 10 EC.

*CFM/Watt is not certified by AMCA



United States 10048 Industrial Blvd. • Lenexa, KS 66215 • 1.800.747.1762 • www.fantech.net
 Canada 50 Kanalfakt Way • Bouctouche, NB E4S 3M5 • 1.800.565.3548 • www.fantech.net

Item #: 483256
 Rev Date: 010412

Fantech, reserves the right to modify, at any time and without notice, any or all of its products' features, designs, components and specifications to maintain their technological leadership position.