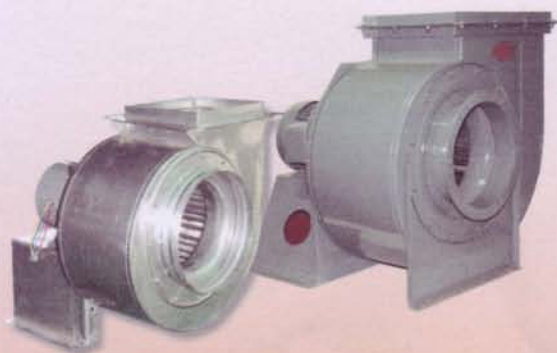


CENTRIFUGAL FAN



ARTITH VENTILATORS LTD., PART.

ART OF FANS

www.artith.com

email : contact@artith.com





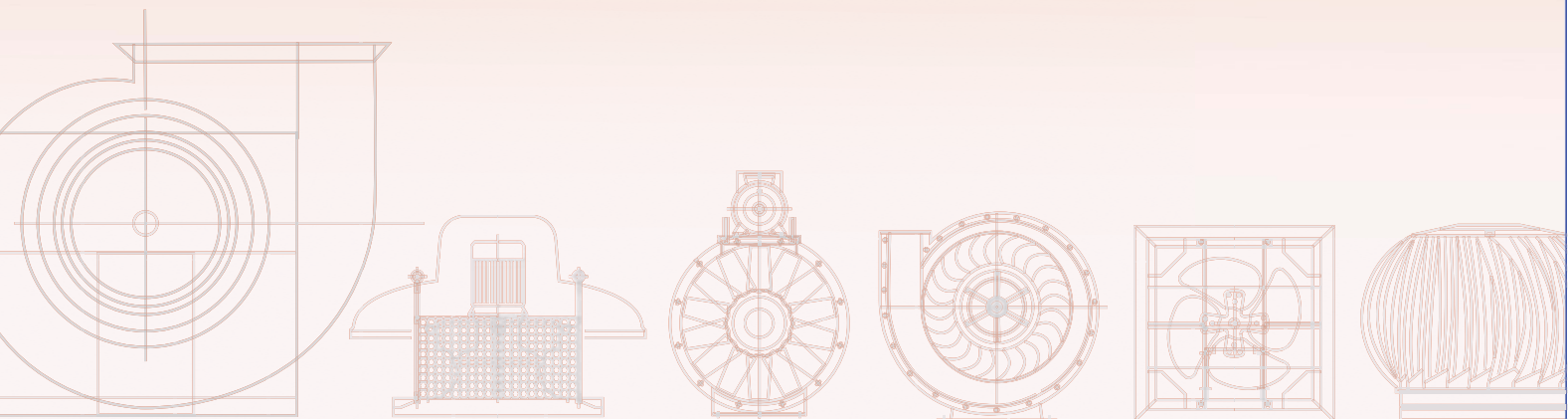
Artith Ventilators Ltd.,Part. Tel: 0-2509-3065 Fax: 0-2943-1814



History

Artith was established since 1980 as the first shop in Thailand producing 12” diameter turbine ventilator under trade name of “Artith Ventilators” which was registered in the name of Artith Ventilators Ltd.,Part in 1984. For more than 25 years. Artith has been proven for high quality wind-turbine ventilators for industrial and household use.

The proven was shined **in 1993 with our expansion of capacity** to manufacture ventilation machinery including fan powered turbine ventilators, blowers , exhaust fans, centrifugal fans and duct fans continue with opened branch at Hadyai, Petchaburi and KhonKaen. Moreover, **Artith Ventilators Ltd.,Part is now being AMCA member (The Air Movement and Control Association International, Inc.).**



“Artith Ventilators Ltd., Part certifies that the Forward Curved Centrifugal Fan type AV-A showed herein are licensed to bear the AMCA Seal. The ratings shown are based on tests and procedures performed in accordance with AMCA Publication 211 and comply with the requirements of the AMCA Certified Ratings Program.”

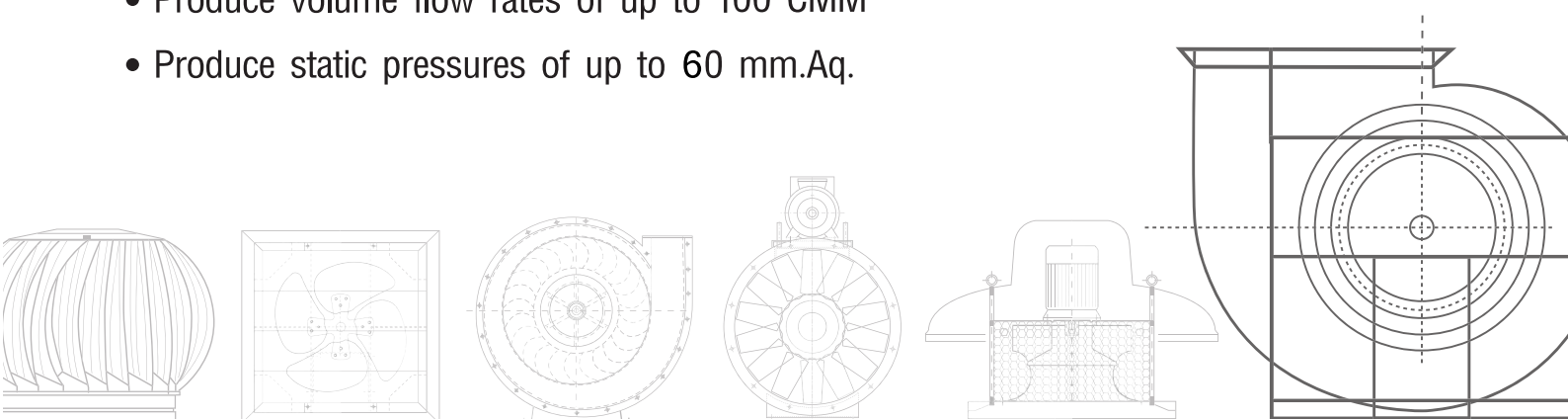


Centrifugal Fan



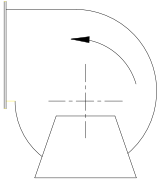
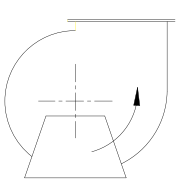
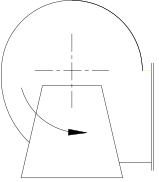
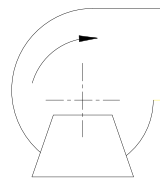
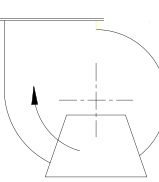
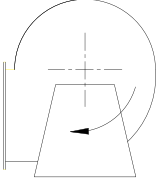
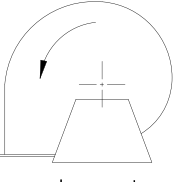
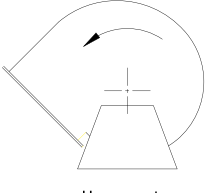
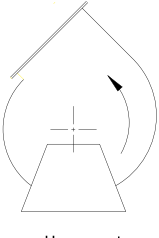
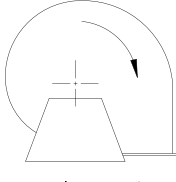
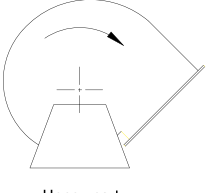
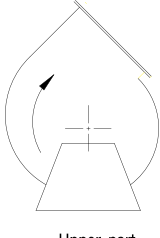
Forward Curved Fan (AV-A)

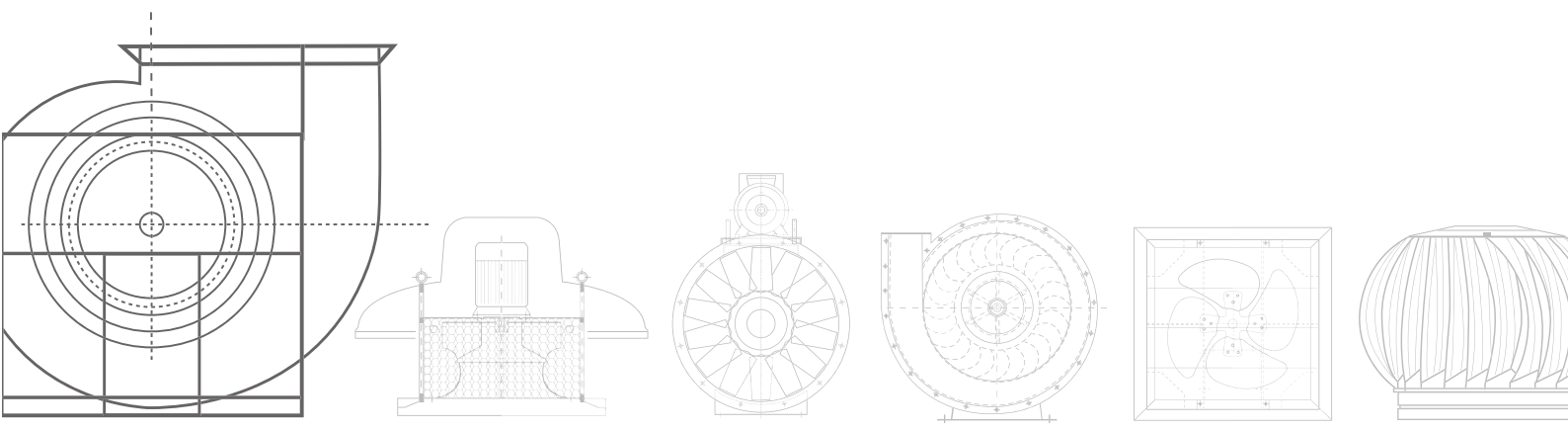
- Produce medium to low volume flow rates
- Quietest centrifugal fan available
- Designed for air with a low particle count
- Available in a single impeller configuration
- Impeller sizes range from 250 mm. to 500 mm.
- Produce volume flow rates of up to 100 CMM
- Produce static pressures of up to 60 mm.Aq.



Centrifugal Fan Configurations

Our Centrifugal fans are extremely versatile and are available in the following configurations (in view of motor)

Left Rotation (L)			Right Rotation (R)		
					
Upper part Horizontal (L1)	Upper part Vertical (L2)	Lower part Horizontal (L3)	Upper part Horizontal (R1)	Upper part Vertical (R2)	Lower part Horizontal (R3)
					
Lower part Vertical (L4)	Upper part 30° Downward (L5)	Upper part 45° Upward (L6)	Lower part Vertical (R4)	Upper part 30° Downward (R5)	Upper part 45° Upward (R6)



Forward Curved Fan

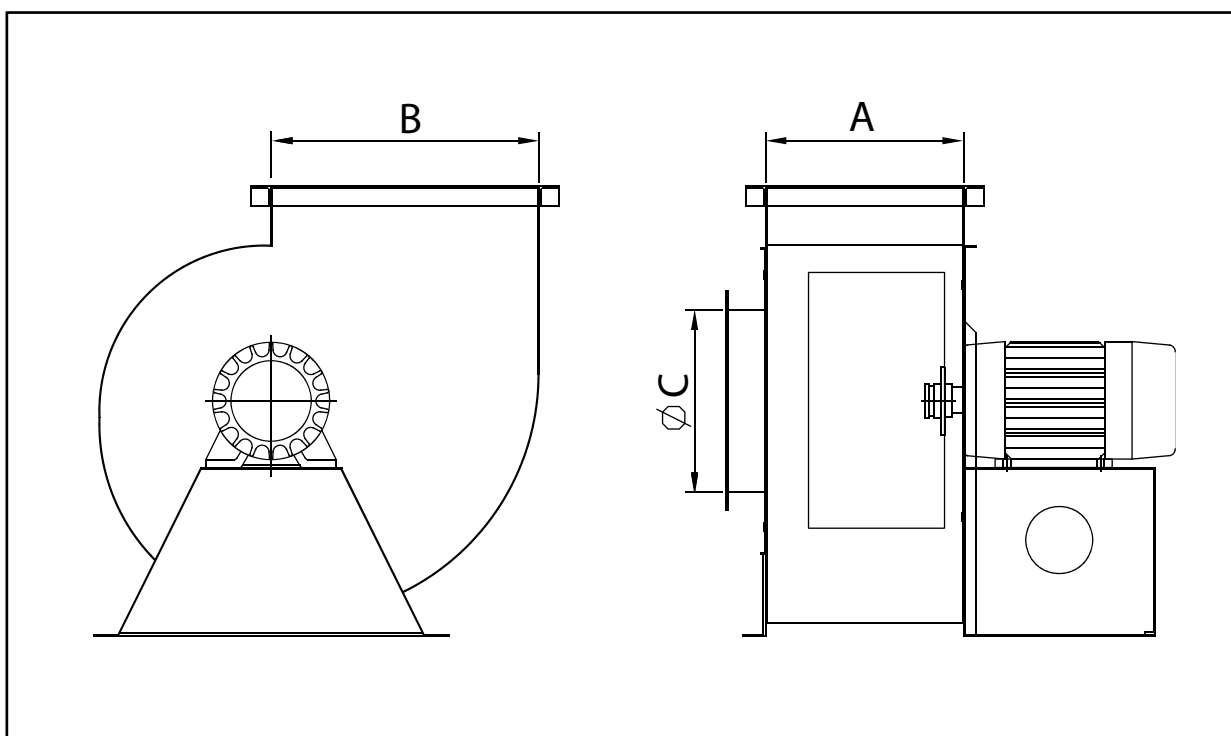
- Housing materials: Steel, Galvanized sheet or Stainless steel
- Impeller materials: Steel, Galvanized sheet or Stainless steel

Applications:

- Removing smoke and odor from the kitchen
- Extracting dust and particulate matter from factory air

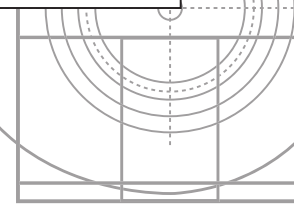
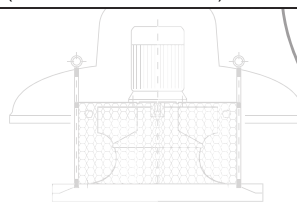
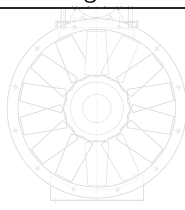
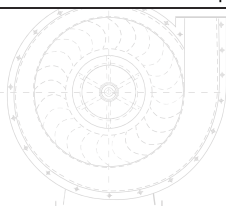
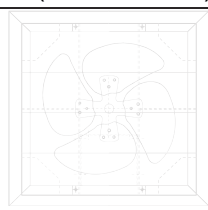
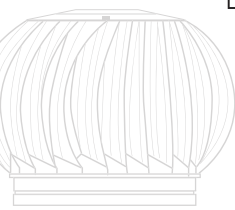


Forward Curved Fan (Direct motor) Type AV-Axxx

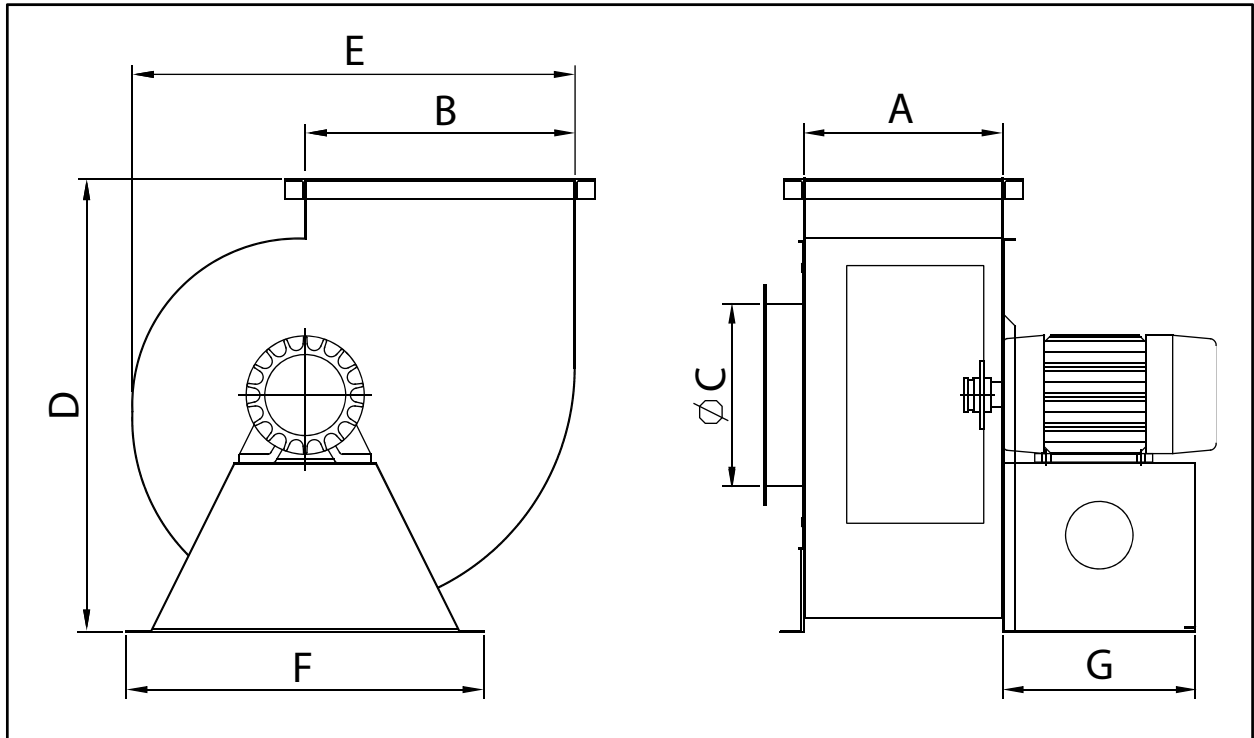


TYPE	MOTOR			CAPACITY		STATIC PRESSURE	
	kW	RPM	V	CMS	CMM	Pa	mm.Aq.
AV-A108	0.25	1440	220	0.166	10	191	19
AV-A110	0.40	1440	220	0.277	17	260	27
AV-A112	0.75	1430	220	0.640	38	385	39
AV-A115	1.5	930	380	1.100	66	305	31
AV-A118	2.2	950	380	1.400	84	480	49

HP (Horse Power) is unit for use a temple is ofing a motor (1 HP = 0.746 kW)

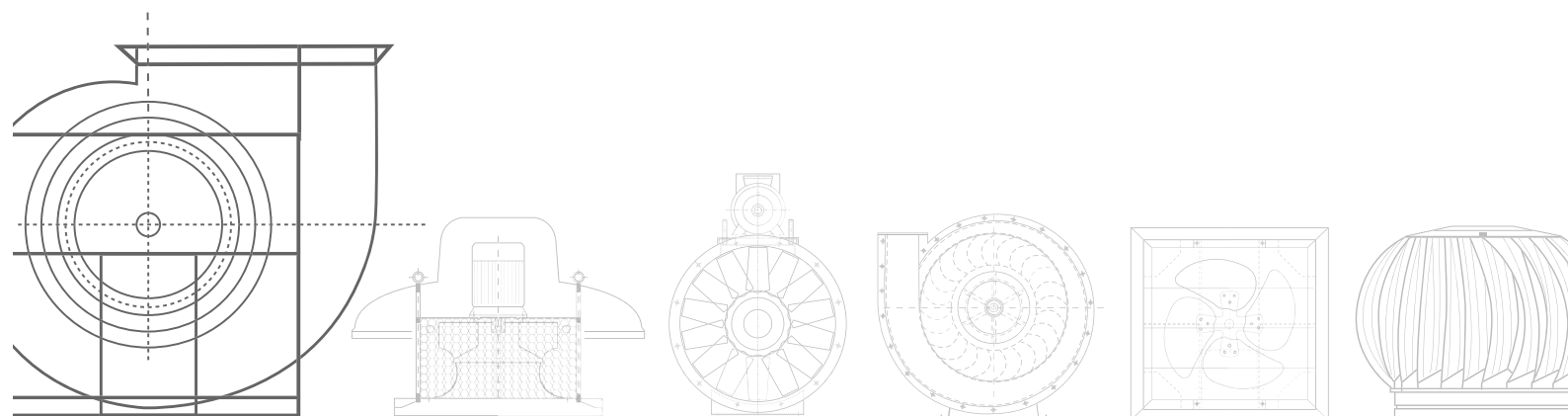


Foward Curved Fan (Direct motor) Type AV-Axxx



TYPE	DIMENSION (mm.)						
	A	B	ØC	D	E	F	G
AV-A108	155	180	200	400	350	260	200
AV-A110	150	215	200	430	380	270	200
AV-A112	185	200	250	470	450	260	200
AV-A115	300	400	270	670	660	530	285
AV-A118	300	370	300	767	720	480	320

** Dimension might adjusted without notice*





Forward Curved Fan (Direct motor) Type AV-A108

Test Unit : Centrifugal-Forward

Capacity : 10 CMM

Manufacturer : Artith Ventilators Ltd., part.

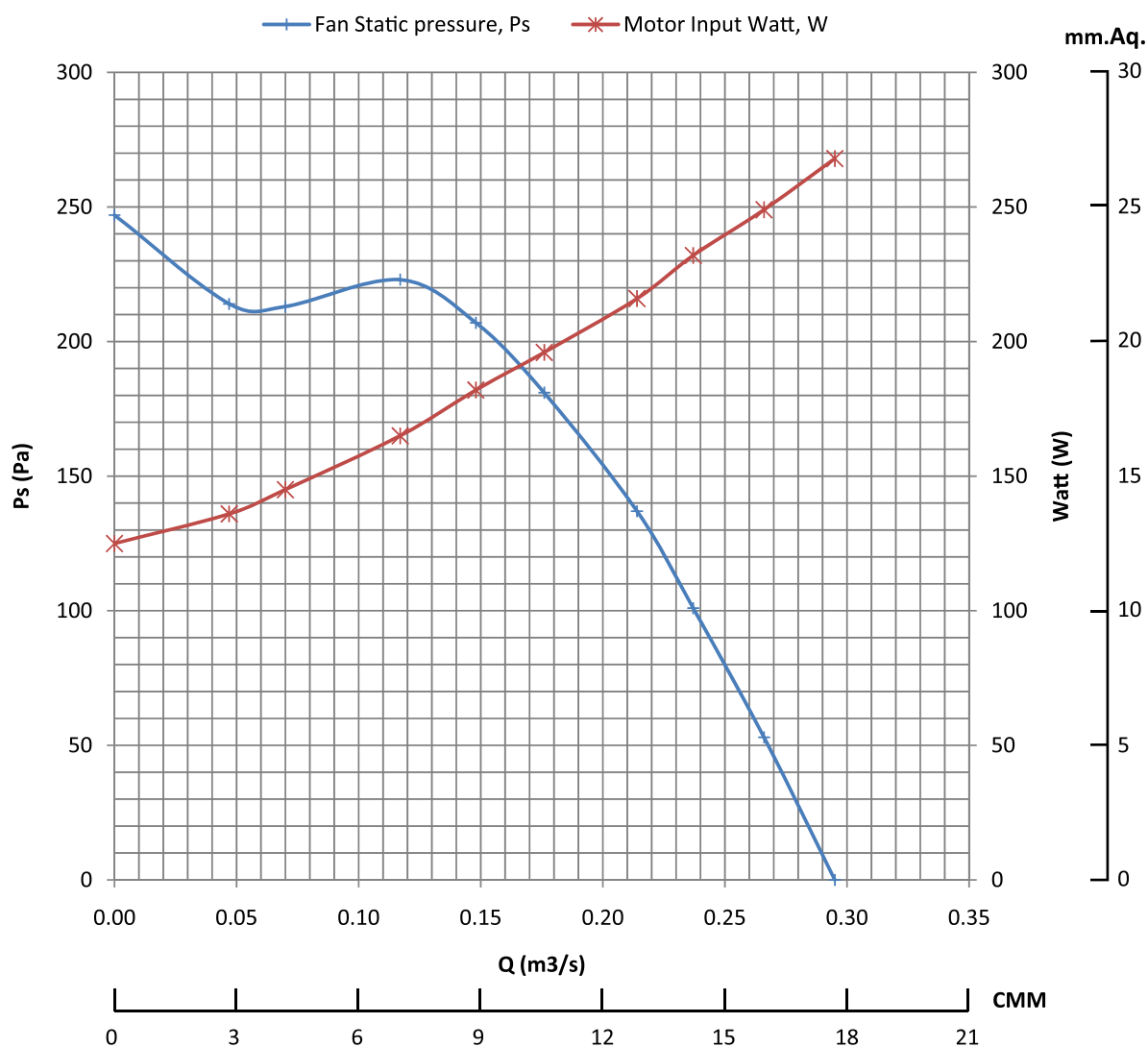
Static Pressure : 19 mm.Aq.

Impeller Diameter : 191 mm.

Motor : 0.25 kW / 1440 RPM / 220V / 50Hz

Performance ratings do not include the effects of appurtenances (accessories).

"Speed 1,440 rpm. shown is nominal. Performance is based on actual speed of test"



"The AMCA Certified Ratings Seal applies to air performance ratings only"
 Performance certified is for installation type B - Free inlet, Ducted outlet.



Forward Curved Fan (Direct motor) Type AV-A110

Test Unit : Centrifugal-Forward

Capacity : 17 CMM

Manufacturer : Artith Ventilators Ltd., part

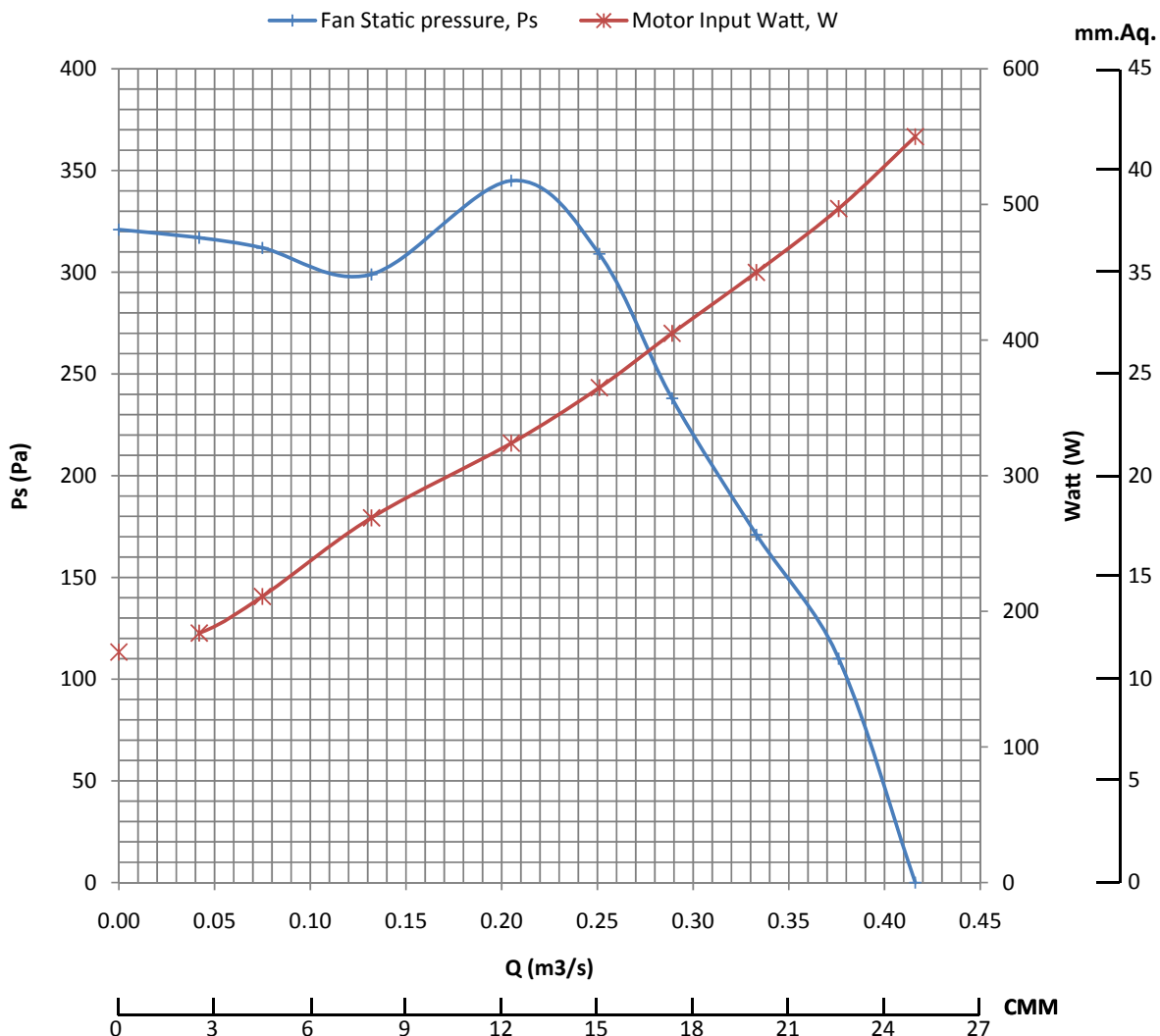
Static Pressure : 27 mm.Aq.

Impeller Diameter : 244 mm.

Motor : 0.40 kW / 1440 RPM / 220V / 50Hz

Performance ratings do not include the effects of appurtenances (accessories).

"Speed 1,440 rpm. shown is nominal. Performance is based on actual speed of test"



"The AMCA Certified Ratings Seal applies to air performance ratings only"

Performance certified is for installation type B - Free inlet, Ducted outlet.

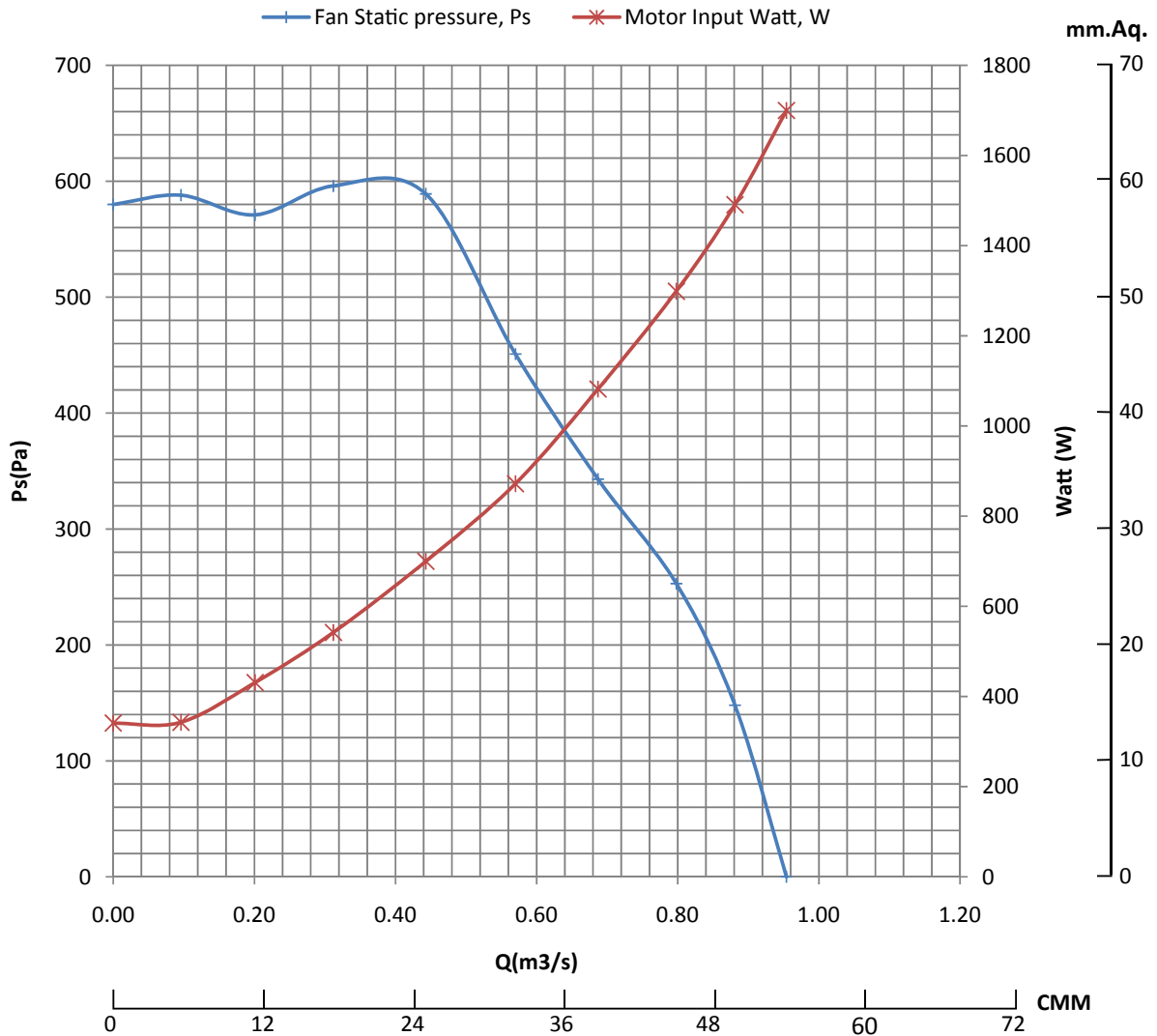


Forward Curved Fan (Direct motor) Type AV-A112

Test Unit : Centrifugal-Forward Capacity : 38 CMM
 Manufacturer : Artith Ventilators Ltd., part Static Pressure : 39 mm.Aq.
 Impeller Diameter : 307 mm. Motor : 0.75 kW / 1430 RPM / 220V / 50Hz

Performance ratings do not include the effects of appurtenances (accessories).

"Speed 1,430 rpm. shown is nominal. Performance is based on actual speed of test"



"The AMCA Certified Ratings Seal applies to air performance ratings only"
 Performance certified is for installation type B - Free inlet, Ducted outlet.



Forward Curved Fan (Direct motor) Type AV-A115

Test Unit : Centrifugal-Forward

Capacity : 66 CMM

Manufacturer : Artith Ventilators Ltd., part.

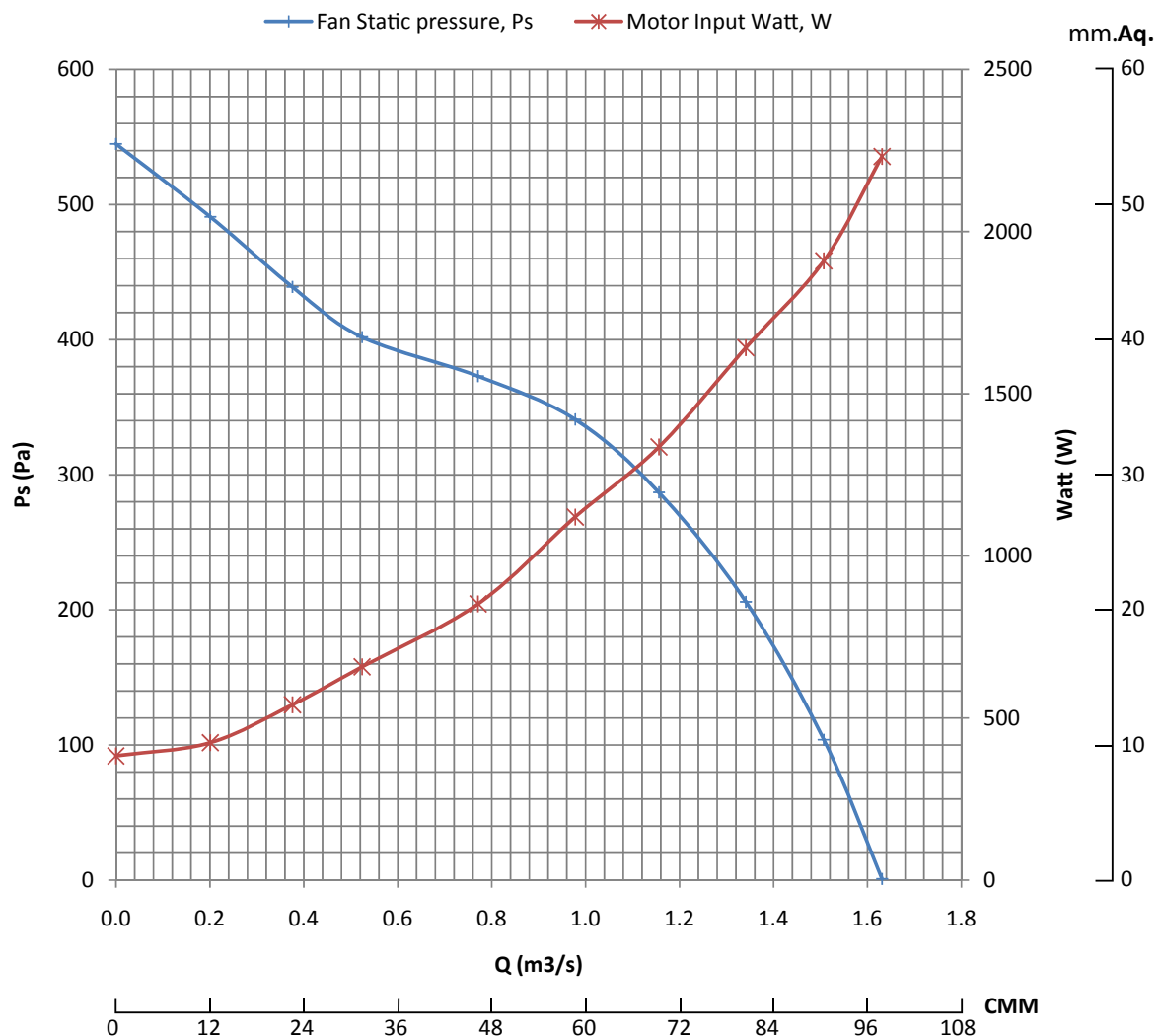
Static Pressure : 31 mm.Aq.

Impeller Diameter : 379 mm.

Motor : 1.5 kW / 930 RPM / 380V / 50Hz

Performance ratings do not include the effects of appurtenances (accessories).

"Speed 930 rpm. shown is nominal. Performance is based on actual speed of test"



"The AMCA Certified Ratings Seal applies to air performance ratings only"

Performance certified is for installation type B - Free inlet, Ducted outlet.



Forward Curved Fan (Direct motor) Type AV-A118

Test Unit : Centrifugal-Forward

Capacity : 84 CMM

Manufacturer : Artith Ventilators Ltd., part.

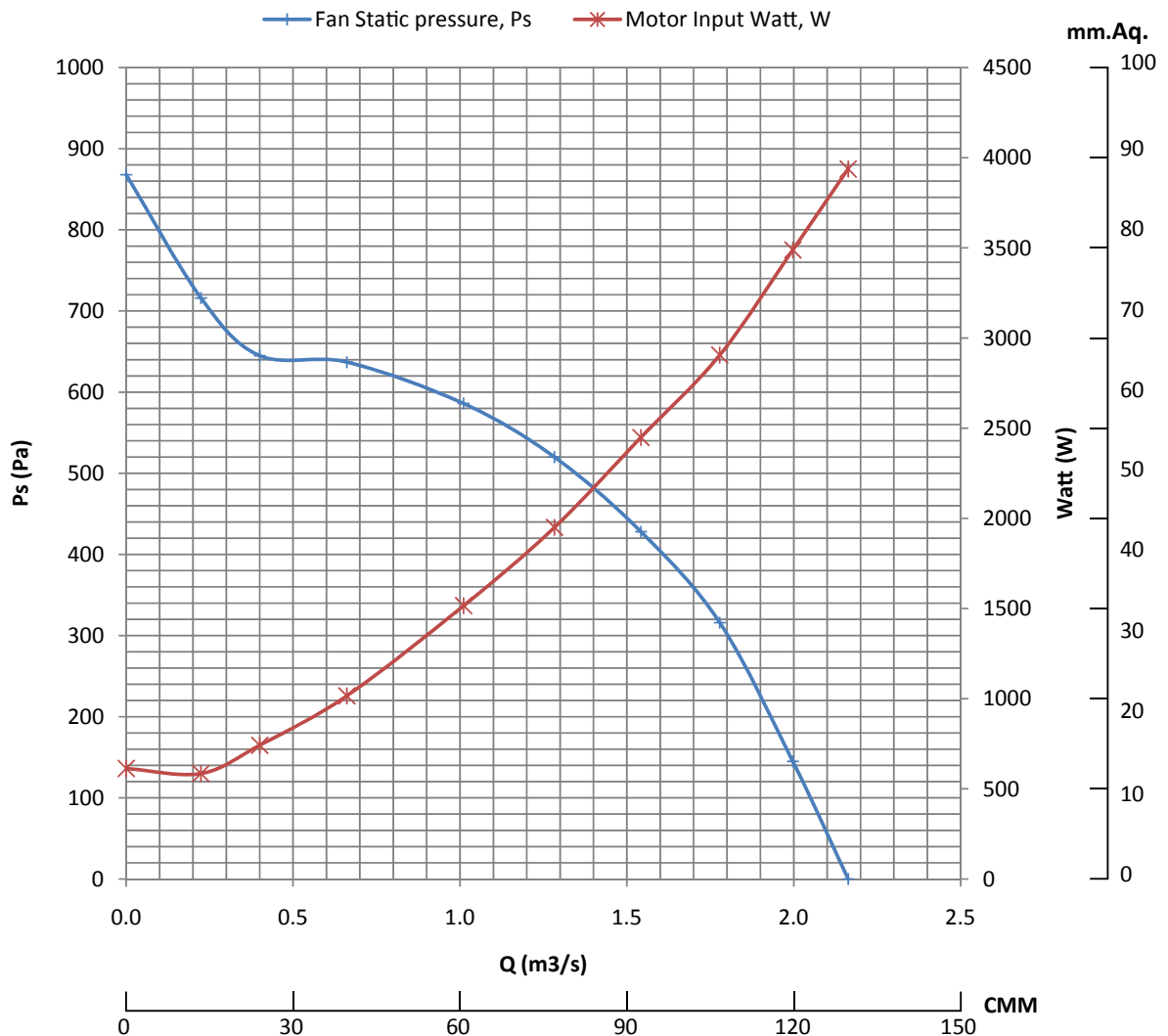
Static Pressure : 49 mm.Aq.

Impeller Diameter : 470 mm.

Motor : 2.2 kW / 950 RPM / 380V / 50Hz

Performance ratings do not include the effects of appurtenances (accessories).

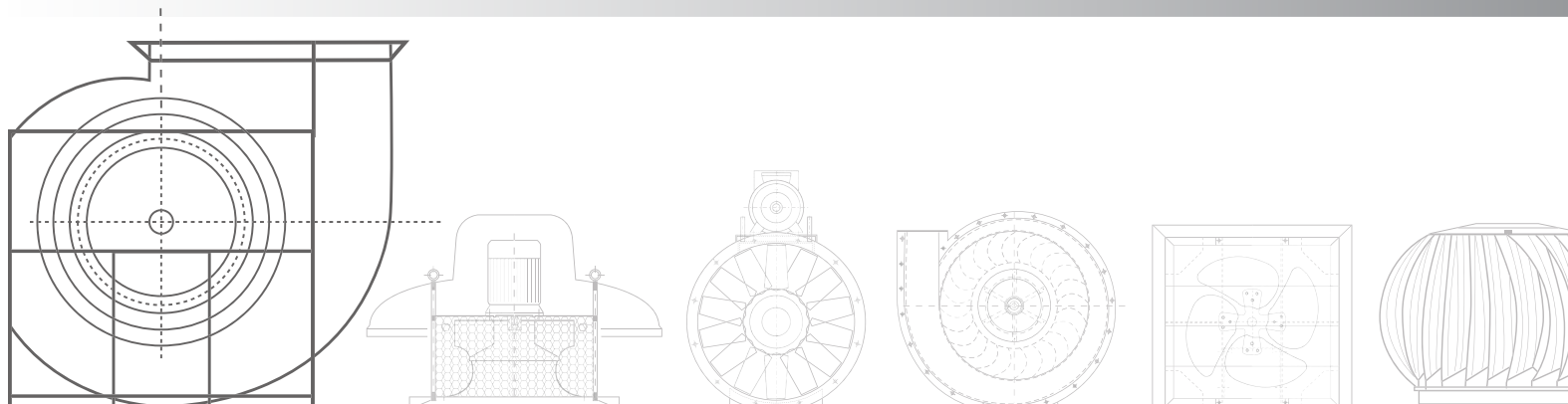
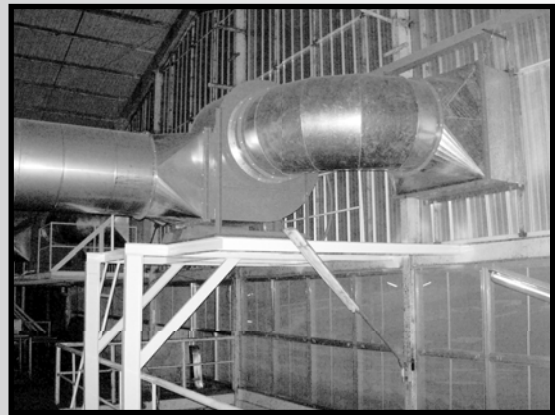
"Speed 950 rpm. shown is nominal. Performance is based on actual speed of test"



"The AMCA Certified Ratings Seal applies to air performance ratings only"

Performance certified is for installation type B - Free inlet, Ducted outlet.

Installation Portfolio Centrifugal Fan





Artith Ventilators Ltd.,Part.
www.artith.com
e-mail : contact@artith.com

