

KITURAMI-BUMYANG

K DESIGN V-SERIES CENTRIFUGAL FAN

- ***K DESIGN 4V***
- ***K DESIGN 8V***
- ***K DESIGN 12V***
- ***K DESIGN 18V***





KITURAMI-BUMYANG

K DESIGN V-SERIES

CENTRIFUGAL FANS

◆ INDEX ◆

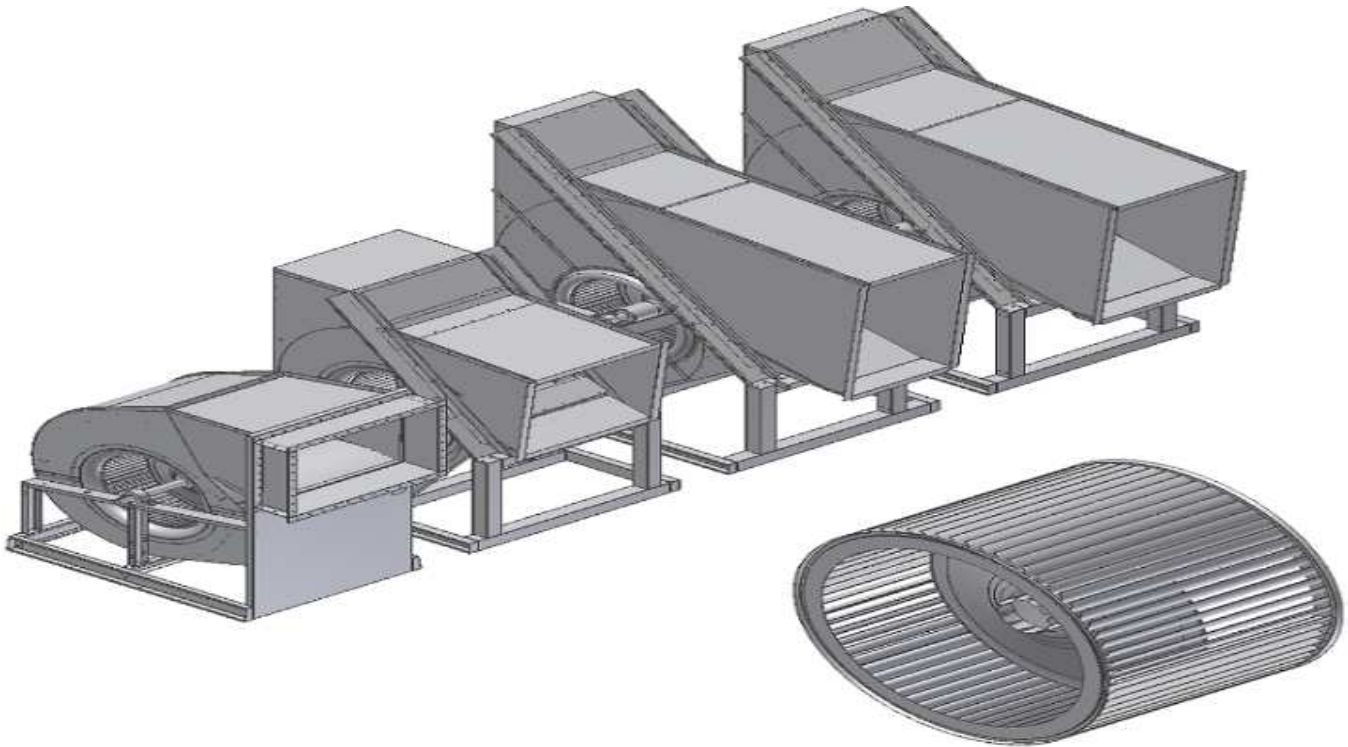
- 제품 특징 ----- 03
- 제품 특성표 ----- 05
- 제품 치수 ----- 09

귀뚜라미 범양냉방 시로코 송풍기

SIROCCO FAN 개발에 있어서 귀뚜라미 범양냉방의 풍부한 경험과 KNOW-HOW 바탕으로 K DESIGN V-SERIES FAN은 귀뚜라미 범양냉방의 기술적 전통에서 이룩한 우수성과 신뢰성으로 제작된 제품입니다.

귀뚜라미 범양냉방 K DESIGN V-SERIES FAN은 압입송풍형 냉각탑 장착용으로 아주 적절하며, FAN HOUSING의 선정범위 4기종으로 사이즈에 대한 폭넓은 선택과 다양한 작동범위를 제공합니다.

귀뚜라미 범양냉방에서 제작되는 K DESIGN V-SERIES FAN은 축적된 기술력을 바탕으로 생산되는 제품으로 질적 우수성, 신뢰성, 성능 그리고 단납기에 신속한 대처가 가능한 제품입니다.



본 카다로그에 있어서 K Design V-Series 송풍기는 AMCA SEAL을 사용하도록 라이선스 되었음을 보증합니다. 본 카다로그의 성능평가는 AMCA 출판물 211/301과 동일하게 시행된 Test와 절차에 의거하였으며, AMCA 보증평가 프로그램의 요구사항과 일치합니다.

Kiturami-Bumyang Corporation certifies that the K Design V-Series fans shown herein are licensed to bear the AMCA Seal. The ratings shown are based on tests and procedures performed in accordance with AMCA Publication 211/301 and comply with the requirements of the AMCA Certified Ratings Program.

■ SIROCCO FAN 특성

귀뚜라미 범양냉방 SIROCCO FAN은 다른 형태의 송풍기에 비해 낮은 속도에서 운전되며, 낮은 압력으로 많은 공기량이 요구될 때 주로 사용됩니다.

또한, 넓은 공기량 범위에서 운전은 물론 동일 공기량과 압력에 대하여 임펠러 직경이 작기 때문에 다른 원심식송풍기에 비해 설치공간을 최소화 시킬 수 있습니다.

■ 성능과 편리한 선택

□ 송풍기 및 케이싱 재질

SIROCCO FAN과 케이싱 구성 부품은 일반 부식환경에서 내식성이 매우 강한 아연도금 부착량이 대단히 높은 용융아연도금 강재(KS D 3506), Z60 (600g/m², 양면 3점점)과 PosMAC(KS D 3030, 300g/m²-Mg, Zn, Al, 합금 도금 및 강대)를 소재로 제작합니다.

□ 특수도장 및 부식방지 코팅

다양한 특수도장 및 부식방지 코팅을 추가로 적용하여 장비에 대한 수명을 더욱 증대시켜 줍니다.

□ INLET RING

공기 유입이 매끄러워 공기저항을 최소화하는 곡선형 인렛트 링을 사용합니다.

□ 송풍기 축과 베어링

축은 SM45C 탄소강으로 최적설계, 정밀가공하여 사용하였으며, 평균 베어링 수명 200,000 시간 베어링을 사용합니다.

□ 분할 하우징

Fan Wheel과 축의 보수와 교체 작업이 용이하도록 분할 하우징을 사용하였습니다.

□ 토출플랜지

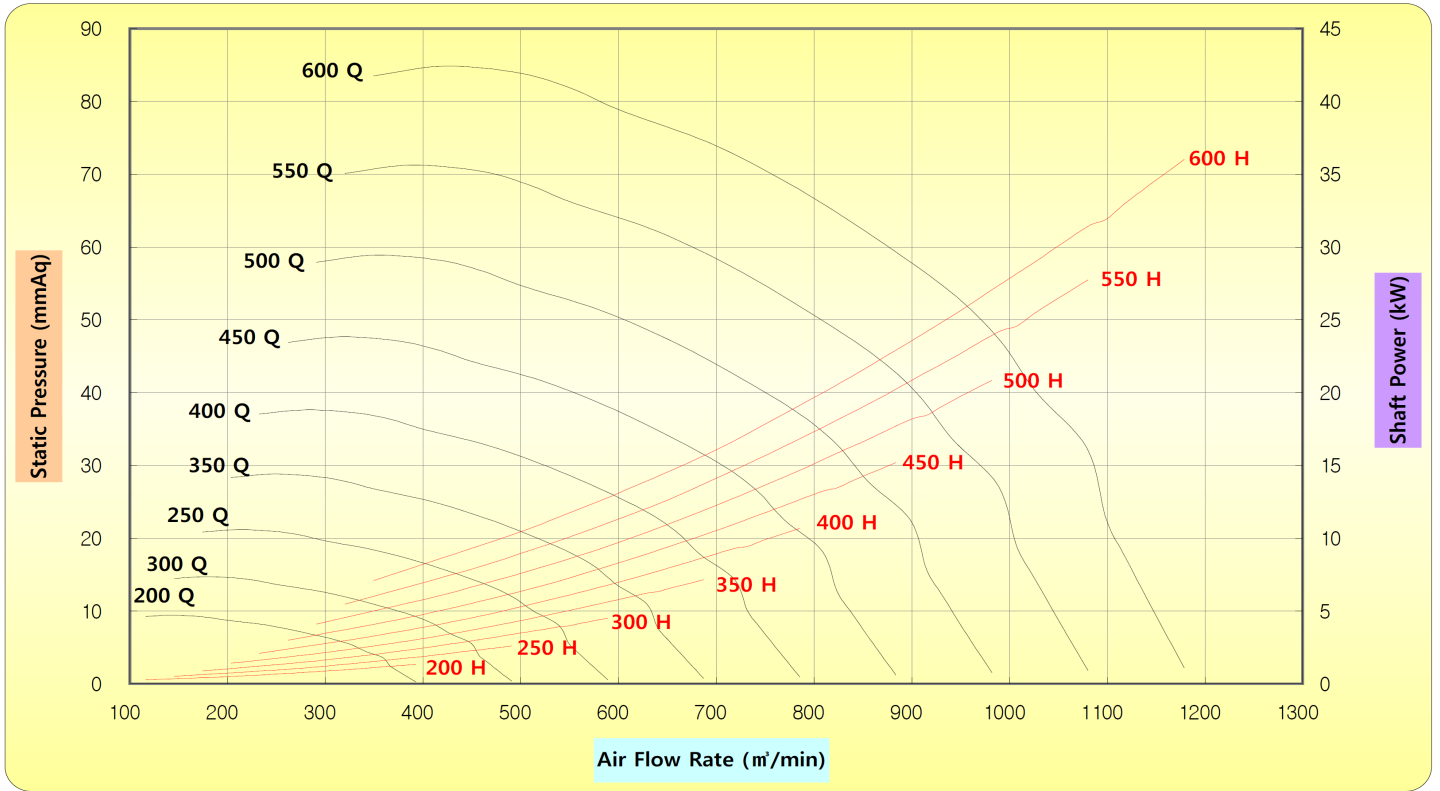
송풍기 토출구는 덕트나 댐퍼를 원활히 연결할 수 있도록 플랜지 타입으로 되어 있습니다.

□ 현장 조립 설치

협소한 반입구로 인하여 건물내부의 설치 장소까지 완제품 반입이 어려울 때 현장에서 조립이 가능하도록 Knock Down Part로 출고하여 현장 조립을 할 수도 있습니다.

KD 4V

Outlet Area : 0.58344 m²



OUTLET		SP 4		SP 8		SP 12		SP 16		SP 20		SP 24		SP 28	
CMM	Vel	rpm	shaft power	rpm	shaft power	rpm	shaft power	rpm	shaft power	rpm	shaft power	rpm	shaft power	rpm	shaft power
200	5.7					229	0.62								
250	7.1			202	0.67	241	0.88	267	1.07	294	1.26				
300	8.6			214	0.96	246	1.19	279	1.43	305	1.67	326	1.90	349	2.14
350	10.0	198	1.10	229	1.35	258	1.61	285	1.86	311	2.13	340	2.45	358	2.68
400	11.4	222	1.58	245	1.84	272	2.13	297	2.41	321	2.71	343	3.00	368	3.33
500	14.3	271	2.98	285	3.23	304	3.54	324	3.88	346	4.25	366	4.62	385	4.98
600	17.1	319	5.04	330	5.28	344	5.63	360	6.01	376	6.39	394	6.81	411	7.27
700	20.0	368	7.87	380	8.20	387	8.45	399	8.87	414	9.35	427	9.75	441	10.2
800	22.9	417	11.6	428	12.0	438	12.3	442	12.6	453	13.1	467	13.7	478	14.2
900	25.7	466	16.4	476	16.9	485	17.3	493	17.6	497	18	505	18.4	518	19.1
1000	28.6	515	22.4	524	22.9	533	23.4	542	23.8	548	24.2	551	24.5	557	25.0
1100	31.4	565	29.6	573	30.2	581	30.5	589	31.3	597	31.7	602	32.1	605	32.5
1200	34.3	615	38.3	622	38.9	630	39.6	637	40.2	644	40.7	651	41.1	656	41.6

OUTLET		SP 32		SP 36		SP 40		SP 44		SP 48		SP 52		SP 56	
CMM	Vel	rpm	shaft power	rpm	shaft power	rpm	shaft power	rpm	shaft power	rpm	shaft power	rpm	shaft power	rpm	shaft power
350	10.0	377	2.96	397	3.24	416	3.52								
400	11.4	392	3.71	408	3.98	423	4.26	440	4.58						
500	14.3	404	5.35	422	5.71	439	6.10	462	6.55	481	7.02	497	7.42	509	7.73
600	17.1	428	7.68	445	8.14	461	8.60	476	9.00	491	9.45	506	9.87	521	10.3
700	20.0	456	10.7	471	11.2	487	11.7	501	12.3	515	12.8	529	13.3	542	13.8
800	22.9	489	14.6	502	15.1	515	15.7	528	16.3	542	16.9	554	17.5	567	18.1
900	25.7	529	19.7	539	20.2	549	20.7	559	21.3	571	21.9	583	22.5	595	23.2
1000	28.6	567	25.7	580	26.4	589	27.1	597	27.6	606	28.2	611	28.5	626	29.5
1100	31.4	609	32.9	617	33.6	627	34.4	638	35.3						

OUTLET		SP 60		SP 64		SP 68		SP 72		SP 76		SP 80		SP 84	
CMM	Vel	rpm	shaft power	rpm	shaft power	rpm	shaft power	rpm	shaft power	rpm	shaft power	rpm	shaft power	rpm	shaft power
500	14.3	520	8.10	534	8.45	547	8.85	561	9.24	575	9.65	588	10.1		
600	17.1	538	10.8	557	11.5	573	12.0	588	12.6	599	13.0	609	13.4	618	13.7
700	20.0	556	14.3	569	14.8	582	15.3	594	15.9	607	16.3	620	16.9		
800	22.9	580	18.7	592	19.2	604	19.8	616	20.4						
900	25.7	606	24.0	618	24.6										

Performance certified is for installation type B: free inlet, ducted outlet. Power rating (BHP) does not include transmission losses. Performance ratings do not include the effects of appurtenances (accessories).

K DESIGN V-SERIES CENTRIFUGAL FANS 4V



NO	RPM	Ps [Pa]	Q m3/s	SOUND POWER re 10 ⁻¹² WATTS								Lwi A [dB]
				OCTAVE BAND								
				1	2	3	4	5	6	7	8	
1	200	19	6.210	73	73	75	74	73	70	66	62	77.5
2		43	5.696	70	70	73	73	71	68	64	60	75.6
3		68	4.701	65	66	69	68	66	62	56	50	70.5
4		86	3.339	62	61	63	62	59	55	48	41	63.7
5		92	2.340	60	59	60	59	56	50	43	36	60.3
1	250	29	7.763	80	77	80	79	79	76	72	68	83.1
2		68	7.121	76	74	78	78	77	74	70	66	81.3
3		106	5.877	72	70	73	74	72	69	63	57	76.4
4		134	4.175	68	66	68	67	65	62	55	48	69.6
5		196	2.926	67	64	65	64	62	58	50	43	66.3
1	300	42	9.316	85	83	84	84	83	81	77	73	87.6
2		98	8.547	82	80	82	82	81	79	75	71	85.7
3		153	7.054	77	76	77	78	76	74	68	62	80.8
4		192	5.011	74	71	72	72	70	66	61	54	74.2
5		208	3.512	73	70	69	69	67	63	56	49	70.9
1	350	57	10.871	90	87	87	88	86	85	81	77	91.4
2		133	9.973	86	84	84	86	85	83	79	75	89.5
3		208	8.231	82	80	80	81	80	78	73	67	84.7
4		262	5.847	79	76	75	75	73	71	65	59	78.1
5		283	4.098	79	74	73	72	70	67	61	54	74.9
1	400	75	12.425	94	91	90	91	89	88	85	81	94.7
2		174	11.401	90	88	87	89	88	86	83	79	92.8
3		272	9.410	86	84	83	84	83	81	77	71	88.0
4		342	6.685	84	80	78	79	77	74	70	63	81.5
5		369	4.685	84	78	76	75	74	71	65	58	78.4
1	450	95	13.981	98	95	92	94	92	91	88	84	97.6
2		220	12.829	94	91	89	92	90	89	86	82	95.7
3		345	10.589	90	87	85	87	86	84	81	75	91.0
4		434	7.523	88	83	80	81	80	77	73	67	84.5
5		467	5.272	88	82	78	78	77	74	69	62	81.4
1	500	117	15.537	101	98	94	96	94	94	91	87	100.1
2		272	14.258	97	94	91	94	93	92	89	85	98.2
3		426	11.770	93	90	87	89	89	87	84	78	93.5
4		536	8.362	91	87	83	83	82	80	77	70	87.1
5		577	5.860	92	85	81	80	79	77	73	65	84.1
1	550	142	17.095	103	101	97	98	96	96	93	90	102.4
2		330	15.689	99	97	94	96	95	94	91	88	100.4
3		515	12.952	95	93	90	91	91	89	86	81	95.8
4		648	9.202	93	90	85	85	85	83	79	73	89.4
5		699	6.449	94	88	84	82	81	79	75	68	86.5
1	600	169	18.653	104	104	99	100	99	98	96	92	104.4
2		393	17.121	101	100	96	97	97	96	94	90	102.5
3		614	14.136	96	96	92	93	93	91	89	83	97.8
4		772	10.043	95	93	88	87	87	85	81	76	91.6
5		832	7.038	95	92	86	84	84	82	78	71	88.7

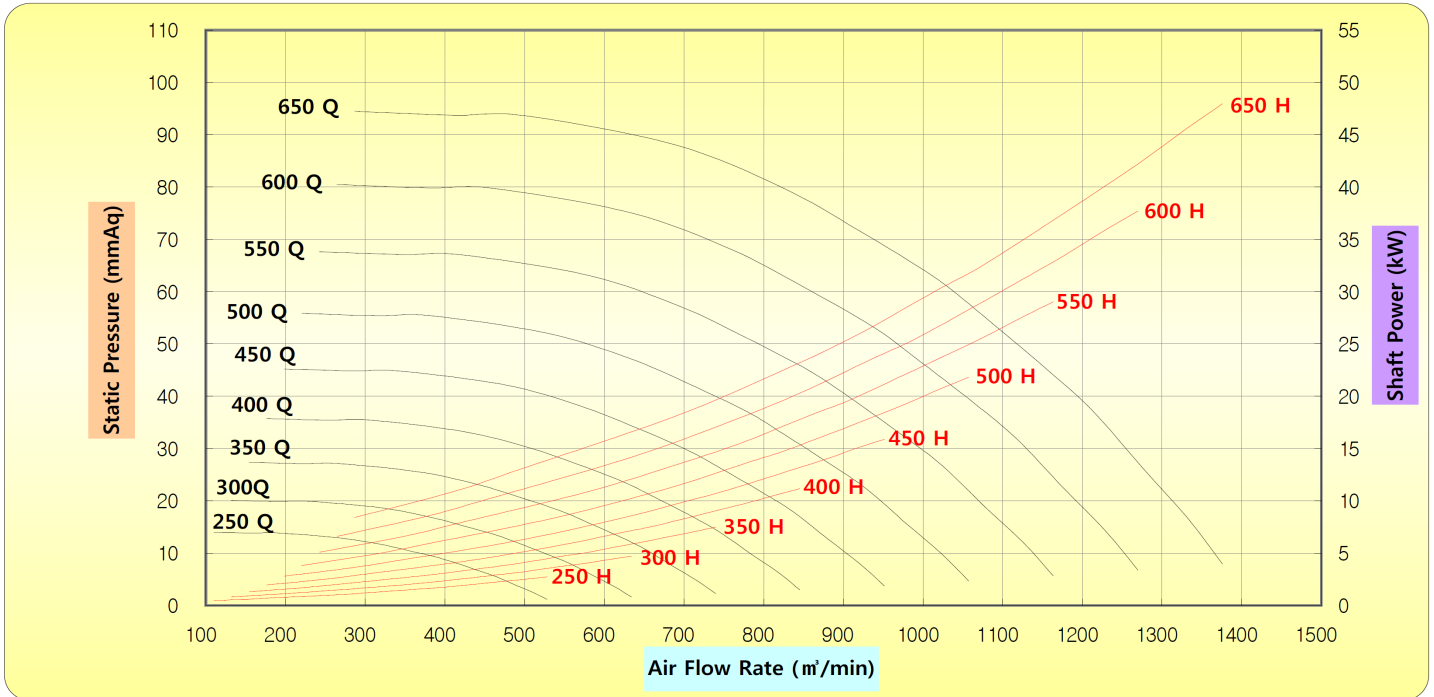
The sound power level ratings shown are in decibels referred to 10⁻¹² watts calculated per AMCA Standard 301.

Values shown are for Lwi and LWiA sound power levels for installation type B: free inlet, ducted outlet.

Ratings do not include the effects of duct end correction. The A-weighted sound ratings shown have been calculated per AMCA standard 301.

KD 8V

Outlet Area : 0.57728 m²



OUTLET		SP 4		SP 8		SP 12		SP 16		SP 20		SP 24		SP 28	
CMM	Vel	rpm	shaft power	rpm	shaft power	rpm	shaft power	rpm	shaft power	rpm	shaft power	rpm	shaft power	rpm	shaft power
250	7.2					240	0.89	273	1.15	303	1.41				
300	8.7					249	1.18	279	1.44	307	1.75	334	2.06	358	2.39
350	10.1	197	1.01	230	1.28	260	1.55	288	1.85	314	2.15	339	2.48	363	2.85
400	11.5	215	1.42	245	1.71	273	2.03	299	2.34	324	2.69	347	3.02	369	3.38
500	14.4	256	2.58	280	2.93	304	3.28	326	3.68	348	4.07	369	4.46	389	4.88
600	17.3	297	4.25	317	4.66	338	5.11	358	5.49	377	5.99	393	6.50	414	6.93
700	20.2	340	6.57	358	7.07	375	7.54	392	8.07	410	8.56	426	9.05	442	9.60
800	23.1	384	9.65	399	10.2	415	10.8	429	11.3	445	11.9	460	12.5	475	13.0
900	26.0	428	13.6	442	14.2	456	14.8	467	15.4	482	16.0	495	16.7	509	17.4
1000	28.9			485	19.1	497	19.8	510	20.5	522	21.2	533	21.8	545	22.5
1200	34.6			572	32.3	582	33.1	593	33.9	604	34.8	614	35.6	624	36.4
1300	37.5					626	41.5	634	42.5	645	43.4				

OUTLET		SP 32		SP 36		SP 40		SP 44		SP 48		SP 52		SP 56	
CMM	Vel	rpm	shaft power	rpm	shaft power	rpm	shaft power	rpm	shaft power	rpm	shaft power	rpm	shaft power	rpm	shaft power
300	8.7	381	2.69												
350	10.1	386	3.23	407	3.58	427	3.95	446	4.30						
400	11.5	391	3.75	411	4.16	432	4.64	451	5.02	470	5.45	487	5.87	505	6.30
500	14.4	408	5.31	426	5.74	444	6.15	462	6.68	480	7.15	497	7.65	514	8.15
600	17.3	432	7.40	448	7.90	465	8.40	481	8.90	497	9.42	512	9.92	527	10.5
700	20.2	458	10.2	474	10.7	490	11.3	505	11.8	519	12.4	533	12.9	547	13.5
800	23.1	489	13.6	503	14.3	517	14.9	531	15.5	545	16.1	559	16.8	572	17.4
900	26.0	523	18.0	536	18.6	549	19.3	561	20.0	573	20.7	586	21.4	599	22.1
1000	28.9	558	23.3	570	24.1	582	24.8	594	25.5	606	26.2	617	26.9	628	27.8
1200	34.6	633	37.1	643	37.9	653	38.8								

OUTLET		SP 60		SP 64		SP 68		SP 72		SP 76		SP 80		SP 84	
CMM	Vel	rpm	shaft power	rpm	shaft power	rpm	shaft power	rpm	shaft power	rpm	shaft power	rpm	shaft power	rpm	shaft power
400	11.5	521	6.74												
500	14.4	530	8.67	545	9.20	560	9.74	575	10.3	590	10.8	604	11.3	618	11.9
600	17.3	542	11.0	557	11.6	571	12.1	586	12.7	599	13.3	613	14.0	627	14.6
700	20.2	561	14.1	575	14.7	588	15.3	601	16.0	614	16.6	626	17.2	639	17.9
800	23.1	585	18.0	597	18.6	610	19.4	622	20.0	634	20.7	646	21.4	657	22.1
900	26.0	611	22.8	623	23.5	635	24.2	646	24.9	657	25.6				
1000	28.9	639	28.5	650	29.4	661	30.1								

Performance certified is for installation type B: free inlet, ducted outlet. Power rating (BHP) does not include transmission losses. Performance ratings do not include the effects of appurtenances (accessories).

K DESIGN V-SERIES CENTRIFUGAL FANS 8V



NO	RPM	Ps [Pa]	Q m3/s	SOUND POWER re 10 ⁻¹² WATTS								Lwi A [dB]
				OCTAVE BAND								
				1	2	3	4	5	6	7	8	
1	250	38	8.157	78	80	79	78	77	73	69	65	81.3
2		65	7.381	74	75	77	76	74	71	66	61	78.9
3		91	6.483	72	74	76	74	71	68	62	57	76.4
4		116	5.255	71	72	74	71	68	65	59	53	73.2
5		136	3.186	71	71	71	68	65	61	55	49	70.2
1	300	55	9.790	84	84	84	83	81	78	74	70	85.9
2		94	8.858	80	79	81	81	79	76	71	67	83.5
3		130	7.782	78	78	80	79	76	73	68	62	81.1
4		166	6.308	77	76	78	76	73	70	64	58	78.0
5		195	3.824	77	76	75	73	70	66	61	55	75.1
1	350	74	11.424	90	88	88	87	85	82	78	74	89.8
2		128	10.337	86	83	84	85	82	80	76	71	87.4
3		178	9.081	83	82	83	83	80	77	73	67	85.2
4		227	7.361	82	80	81	80	77	74	69	63	82.1
5		266	4.463	83	80	79	78	74	70	65	59	79.3
1	400	97	13.058	94	91	91	90	88	86	82	78	93.2
2		167	11.817	90	87	87	88	86	83	80	75	90.8
3		232	10.381	88	85	86	87	83	81	77	71	88.7
4		296	8.415	86	83	84	84	80	77	73	67	85.7
5		347	5.102	87	83	82	82	77	74	69	63	82.9
1	450	123	14.694	98	94	94	93	91	89	85	81	96.2
2		212	13.298	95	90	89	91	89	86	83	78	93.8
3		294	11.682	92	88	88	90	86	84	80	74	91.8
4		375	9.470	90	86	86	88	83	81	76	70	88.8
5		440	5.741	92	87	85	85	80	77	73	67	86.2
1	500	152	16.332	102	96	96	95	93	92	88	84	98.7
2		262	14.780	98	92	91	93	91	89	86	81	96.3
3		363	12.985	95	90	90	92	89	86	83	77	94.3
4		463	10.526	94	89	88	89	86	83	80	74	91.3
5		543	6.381	95	90	87	87	83	80	76	70	88.6
1	550	184	17.971	104	100	98	97	96	94	91	87	101.1
2		317	16.264	100	96	94	95	94	92	89	84	98.6
3		440	14.289	97	93	92	94	92	89	86	80	96.6
4		561	11.583	96	92	91	91	88	86	82	76	93.7
5		657	7.022	97	93	90	89	86	82	79	73	91.1
1	600	220	19.611	105	103	101	100	98	96	93	89	103.3
2		378	17.750	101	99	96	97	96	94	91	86	100.7
3		524	15.594	98	96	94	96	94	91	88	83	98.8
4		668	12.642	97	95	93	93	91	88	85	79	95.9
5		782	7.663	99	96	92	91	88	85	81	75	93.4
1	650	258	21.254	107	105	102	101	100	98	95	91	105.3
2		444	19.237	103	102	98	98	98	96	93	89	102.7
3		615	16.902	100	99	96	97	96	93	90	85	100.8
4		784	13.702	99	98	95	95	93	90	87	82	97.9
5		919	8.305	100	99	94	93	90	87	83	78	95.5

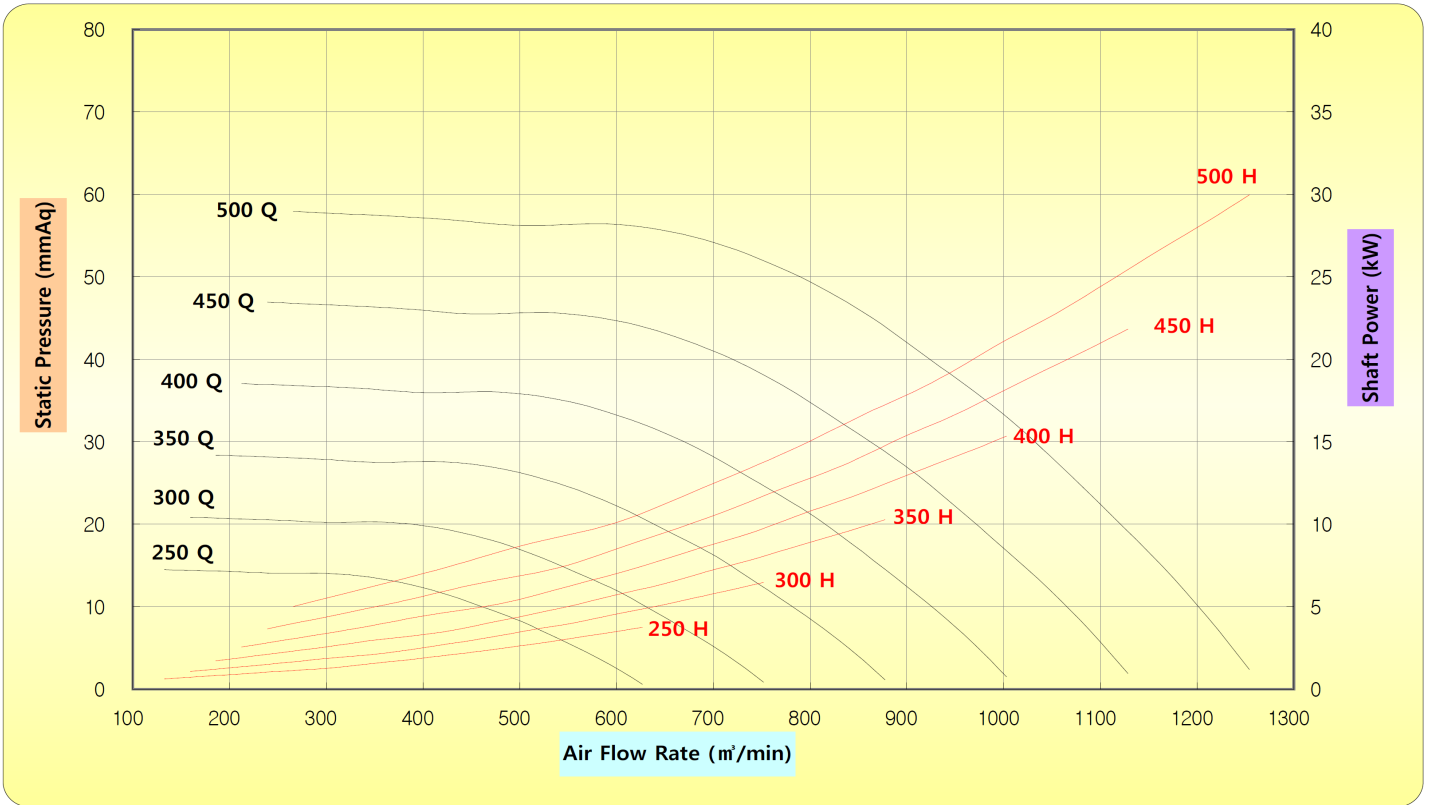
The sound power level ratings shown are in decibels referred to 10⁻¹² watts calculated per AMCA Standard 301.

Values shown are for Lwi and LWiA sound power levels for installation type B: free inlet, ducted outlet.

Ratings do not include the effects of duct end correction. The A-weighted sound ratings shown have been calculated per AMCA standard 301.

KD12V

Outlet Area : 0.7080 m²



OUTLET		SP 4		SP 8		SP 12		SP 16		SP 20		SP 24		SP 28	
CMM	Vel	rpm	power	rpm	power	rpm	power	rpm	power	rpm	power	rpm	power	rpm	power
350	8.2							269	1.75						
400	9.4					248	1.85	275	2.18	302	2.54				
500	11.8			249	2.62	273	2.97	295	3.37	317	3.75	339	4.16	359	4.58
600	14.1	259	3.68	280	4.10	301	4.57	321	4.98	340	5.45	359	5.94	376	6.38
700	16.5	295	5.64	314	6.15	332	6.65	349	7.19	367	7.70	384	8.20	400	8.75
800	18.8	332	8.21	348	8.82	365	9.41	380	9.96	396	10.6	411	11.2	426	11.8
900	21.2	369	11.6	384	12.2	399	12.9	413	13.5	427	14.2	441	14.9	454	15.6
1000	23.5	407	15.7	420	16.4	434	17.2	447	17.9	460	18.6	472	19.3	484	20.1
1100	25.9	446	20.8	457	21.5	469	22.4	481	23.2	493	24.0	505	24.8	516	25.5
1200	28.2	484	26.7	494	27.6	505	28.4	516	29.4						
1300	30.6	522	33.7												

OUTLET		SP 32		SP 36		SP 40		SP 44		SP 48		SP 52		SP 56	
CMM	Vel	rpm	power	rpm	power	rpm	power	rpm	power	rpm	power	rpm	power	rpm	power
350	8.2														
400	9.4														
500	11.8	380	5.01	401	5.48										
600	14.1	395	6.87	412	7.39	430	7.90	447	8.40						
700	16.5	415	9.31	431	9.81	447	10.4	462	11.0	477	11.6	492	12.1	507	12.7
800	18.8	441	12.4	456	13.1	468	13.7	482	14.3	496	14.9	509	15.5		
900	21.2	468	16.2	481	16.9	494	17.5	507	18.3	519	19.0				
1000	23.5	497	20.9	509	21.7	521	22.3								
1100	25.9														
1200	28.2														
1300	30.6														

Performance certified is for installation type B: free inlet, ducted outlet. Power rating (BHP) does not include transmission losses. Performance ratings do not include the effects of appurtenances (accessories).

K DESIGN V-SERIES CENTRIFUGAL FANS 12V



NO	RPM	Ps [Pa]	Q m3/s	SOUND POWER re 10 ⁻¹² WATTS								Lwi A [dB]
				OCTAVE BAND								
				1	2	3	4	5	6	7	8	
1	250	52	9.247	81	77	80	78	78	76	78	80	85.4
2		98	7.701	76	73	76	75	74	74	75	76	82.2
3		124	6.489	72	70	73	73	72	73	70	67	78.7
4		138	4.988	70	69	72	72	71	73	65	58	77.4
5		140	3.395	70	69	72	72	71	73	65	56	77.3
1	300	75	11.098	87	83	84	83	82	81	82	84	89.3
2		141	9.243	82	78	80	80	79	78	79	80	86.1
3		178	7.789	78	76	77	78	77	77	75	71	82.9
4		199	5.986	76	75	76	77	75	77	72	64	81.5
5		201	4.075	76	74	76	76	75	77	71	63	81.3
1	350	102	12.949	91	88	87	88	86	85	85	87	92.7
2		191	10.786	87	83	83	84	82	82	82	83	89.5
3		243	9.089	83	80	80	81	80	80	79	75	86.5
4		270	6.986	81	79	79	80	79	80	77	69	85.1
5		274	4.755	81	79	79	80	79	79	76	68	84.9
1	400	133	14.802	96	92	89	91	89	88	87	89	95.7
2		250	12.330	91	88	85	87	85	85	85	86	92.4
3		317	10.391	87	84	83	85	83	83	82	79	89.6
4		353	7.986	85	83	82	83	82	82	81	73	88.3
5		358	5.436	85	83	82	83	82	82	81	72	88.2
1	450	168	16.656	99	96	91	94	91	91	89	91	98.3
2		317	13.875	95	91	87	90	88	87	87	88	95.0
3		401	11.693	91	88	85	87	86	85	86	82	92.4
4		447	8.987	89	86	84	86	85	84	85	77	91.3
5		453	6.117	89	86	84	86	85	84	85	76	91.1
1	500	208	18.511	102	100	94	96	94	93	92	93	100.6
2		391	15.422	98	95	90	92	90	89	89	90	97.3
3		496	12.997	95	91	88	89	88	87	88	85	94.9
4		553	9.990	92	89	86	88	87	86	88	80	93.8
5		560	6.799	92	89	86	88	87	86	88	80	93.7
1	550	252	20.367	104	103	97	98	96	96	94	95	102.8
2		474	16.970	100	98	93	94	93	92	91	92	99.4
3		600	14.303	96	94	90	91	91	90	90	87	97.0
4		669	10.993	94	92	89	90	90	89	90	84	96.0
5		678	7.481	94	92	89	90	89	88	90	83	95.8
1	600	300	22.224	106	105	100	100	99	97	96	97	104.8
2		564	18.519	102	101	95	96	95	94	93	94	101.4
3		715	15.610	98	97	93	93	93	92	92	90	99.0
4		797	11.997	95	95	92	92	92	91	92	86	97.9
5		807	8.164	95	95	91	92	92	90	92	86	97.8
1	650	353	24.084	107	108	102	101	101	99	98	98	106.7
2		662	20.071	103	103	98	97	97	96	95	96	103.2
3		839	16.919	99	99	95	95	95	94	94	92	100.9
4		936	13.003	97	98	94	94	94	92	93	89	99.7
5		948	8.848	96	97	94	93	93	92	93	89	99.6

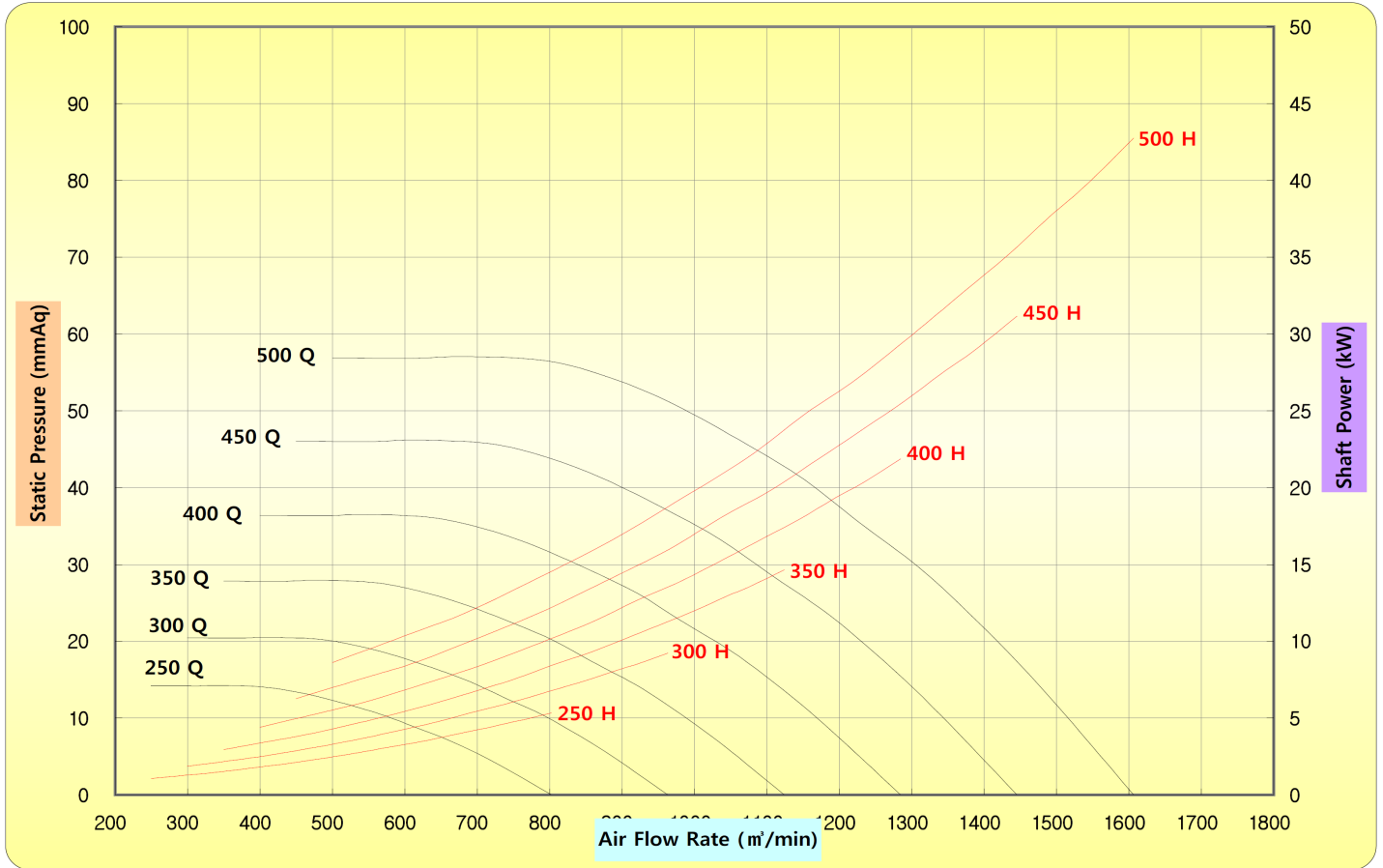
The sound power level ratings shown are in decibels referred to 10⁻¹² watts calculated per AMCA Standard 301.

Values shown are for Lwi and LWiA sound power levels for installation type B: free inlet, ducted outlet.

Ratings do not include the effects of duct end correction. The A-weighted sound ratings shown have been calculated per AMCA standard 301.

KD 18V

Outlet Area : 0.8547 m²



OUTLET		SP 4		SP 8		SP 12		SP 16		SP 20		SP 24		SP 28	
CMM	Vel	rpm	power	rpm	power	rpm	power	rpm	power	rpm	power	rpm	power	rpm	power
400	8.8							267	2.02						
500	11.0					249	2.46	275	2.87	301	3.32	326	3.82		
600	13.3					267	3.63	291	4.08	313	4.58	335	5.06	356	5.60
700	15.5			265	4.58	289	5.14	309	5.69	330	6.21	349	6.75	368	7.33
800	17.7	271	5.89	291	6.49	311	7.09	331	7.72	349	8.35	367	8.93	385	9.55
900	19.9	300	8.23	318	8.86	336	9.57	353	10.2	371	11.0	387	11.7	403	12.3
1000	22.1	329	11.1	346	11.8	362	12.6	377	13.3	394	14.1	410	14.9	424	15.7
1100	24.3	359	14.6	374	15.4	388	16.2	403	17.1	417	17.8	432	18.7	447	19.6
1200	26.5	389	18.8	403	19.7	416	20.5	429	21.4	443	22.3	456	23.2	470	24.1
1300	28.7	419	23.7	432	24.7	444	25.6	457	26.6	469	27.5	481	28.5	493	29.4
1400	30.9	449	29.4	461	30.4	472	31.4	484	32.4	496	33.5	507	34.5	518	35.6
1500	33.1	479	35.9	490	37.0	501	38.1	512	39.3	523	40.3				
1600	35.3	510	43.5	520	44.5										

OUTLET		SP 32		SP 36		SP 40		SP 44		SP 48		SP 52		SP 56	
CMM	Vel	rpm	power	rpm	power	rpm	power	rpm	power	rpm	power	rpm	power	rpm	power
400	8.8														
500	11.0														
600	13.3	377	6.20	399	6.79	420	7.40								
700	15.5	384	7.85	405	8.55	424	9.19	442	9.85	460	10.6	479	11.4		
800	17.7	402	10.3	419	10.9	435	11.6	452	12.3	467	12.9	483	13.7	499	14.5
900	19.9	420	13.0	435	13.7	451	14.5	465	15.2	480	15.9	494	16.7	509	17.5
1000	22.1	439	16.5	454	17.0	468	17.9	482	18.7	496	19.6	509	20.4		
1100	24.3	461	20.4	473	21.3	487	22.3	500	22.8	513	23.7				
1200	26.5	483	25.1	496	26.0	508	27.0	520	27.9						
1300	28.7	506	30.4	519	31.4										
1400	30.9														
1600	35.3														

Performance certified is for installation type B: free inlet, ducted outlet. Power rating (BHP) does not include transmission losses.

Performance ratings do not include the effects of appurtenances (accessories).

K DESIGN V-SERIES CENTRIFUGAL FANS 18V

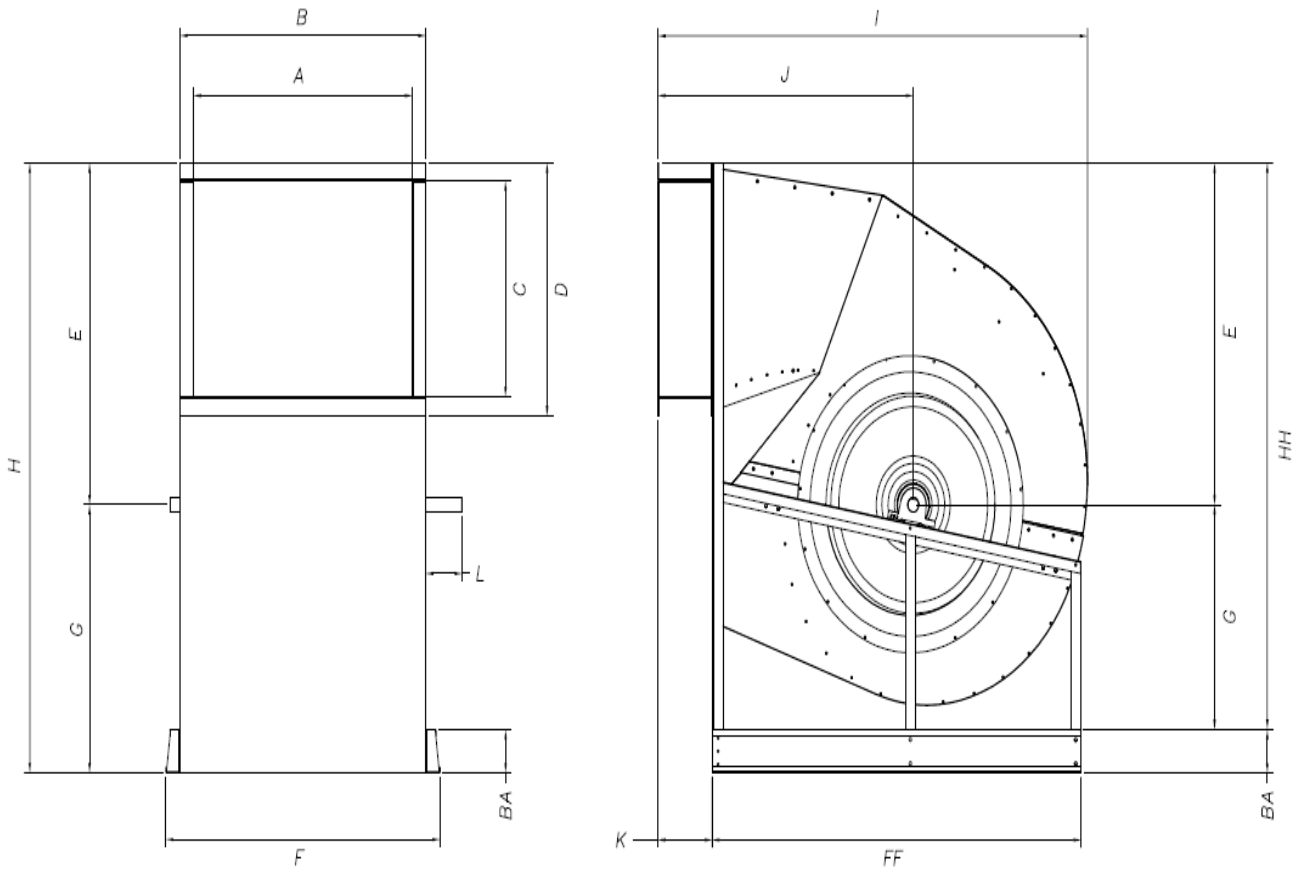


NO	RPM	Ps [Pa]	Q m3/s	SOUND POWER re 10 ⁻¹² WATTS								LwiA [dB]
				OCTAVE BAND								
				1	2	3	4	5	6	7	8	
1	250	46	11.927	82	78	82	81	81	79	77	75	86.2
2		72	10.906	80	75	81	79	79	77	75	73	84.1
3		100	9.587	76	73	79	77	77	75	72	69	81.8
4		124	8.091	72	71	74	73	73	72	66	60	77.5
5		138	6.625	71	70	68	67	69	64	58	52	71.8
1	300	66	14.315	88	84	86	86	85	84	82	80	90.5
2		104	13.089	86	81	84	84	83	82	80	78	88.4
3		145	11.506	82	79	82	82	81	80	77	73	86.2
4		179	9.711	78	76	78	77	77	76	71	65	81.9
5		199	7.952	77	75	73	72	72	69	63	57	76.3
1	350	89	16.703	93	89	88	90	88	87	85	83	94.2
2		142	15.274	91	87	86	88	86	85	83	81	92.1
3		197	13.427	88	84	85	86	84	83	81	78	89.9
4		244	11.332	84	80	81	82	80	80	76	70	85.6
5		271	9.280	83	79	77	76	75	73	68	62	80.1
1	400	117	19.093	98	94	91	93	91	91	89	87	97.4
2		186	17.459	95	91	88	92	89	89	87	85	95.4
3		257	15.349	92	88	87	90	87	86	85	81	93.2
4		319	12.955	89	84	83	85	83	83	80	74	88.9
5		354	10.608	88	83	81	79	78	77	72	66	83.5
1	450	148	21.483	102	98	93	96	94	94	92	90	100.2
2		235	19.647	99	95	90	95	92	92	90	88	98.3
3		326	17.273	96	92	89	93	89	89	88	84	96.2
4		403	14.579	93	88	86	88	85	85	84	78	91.8
5		449	11.938	92	87	84	82	80	81	75	69	86.5
1	500	183	23.876	105	101	95	98	96	96	94	92	102.6
2		290	21.835	102	99	92	97	94	94	92	90	100.7
3		403	19.198	100	95	91	95	92	92	90	87	98.6
4		498	16.205	97	91	88	90	88	88	87	81	94.3
5		554	13.270	96	90	87	84	83	84	79	73	89.2

The sound power level ratings shown are in decibels referred to 10⁻¹² watts calculated per AMCA Standard 301.

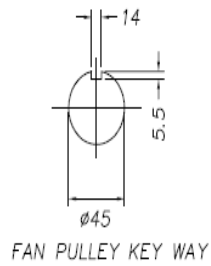
Values shown are for Lwi and LWiA sound power levels for installation type B: free inlet, ducted outlet.

Ratings do not include the effects of duct end correction. The A-weighted sound ratings shown have been calculated per AMCA standard 301.



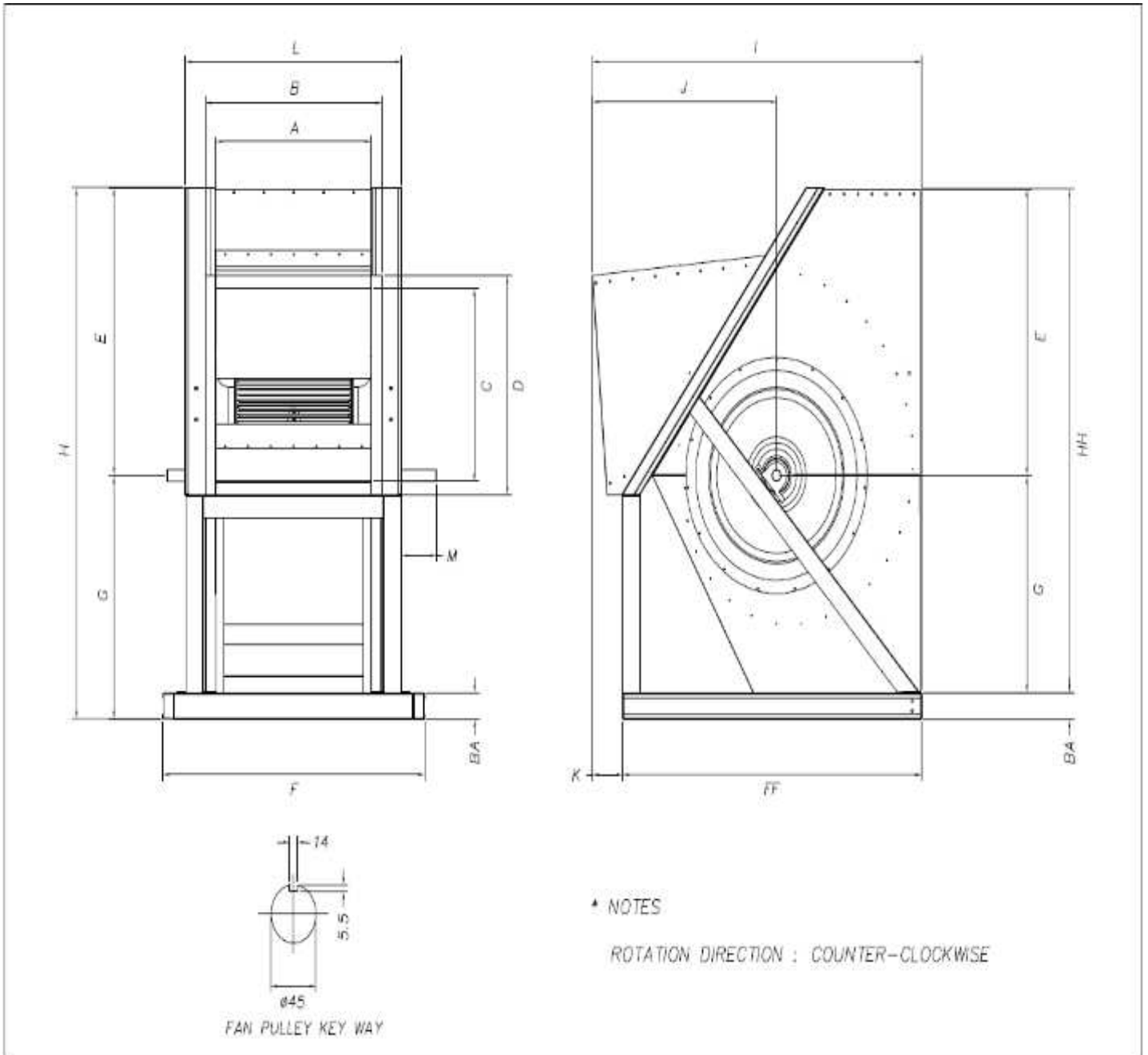
* NOTES

ROTATION DIRECTION : COUNTER-CLOCKWISE



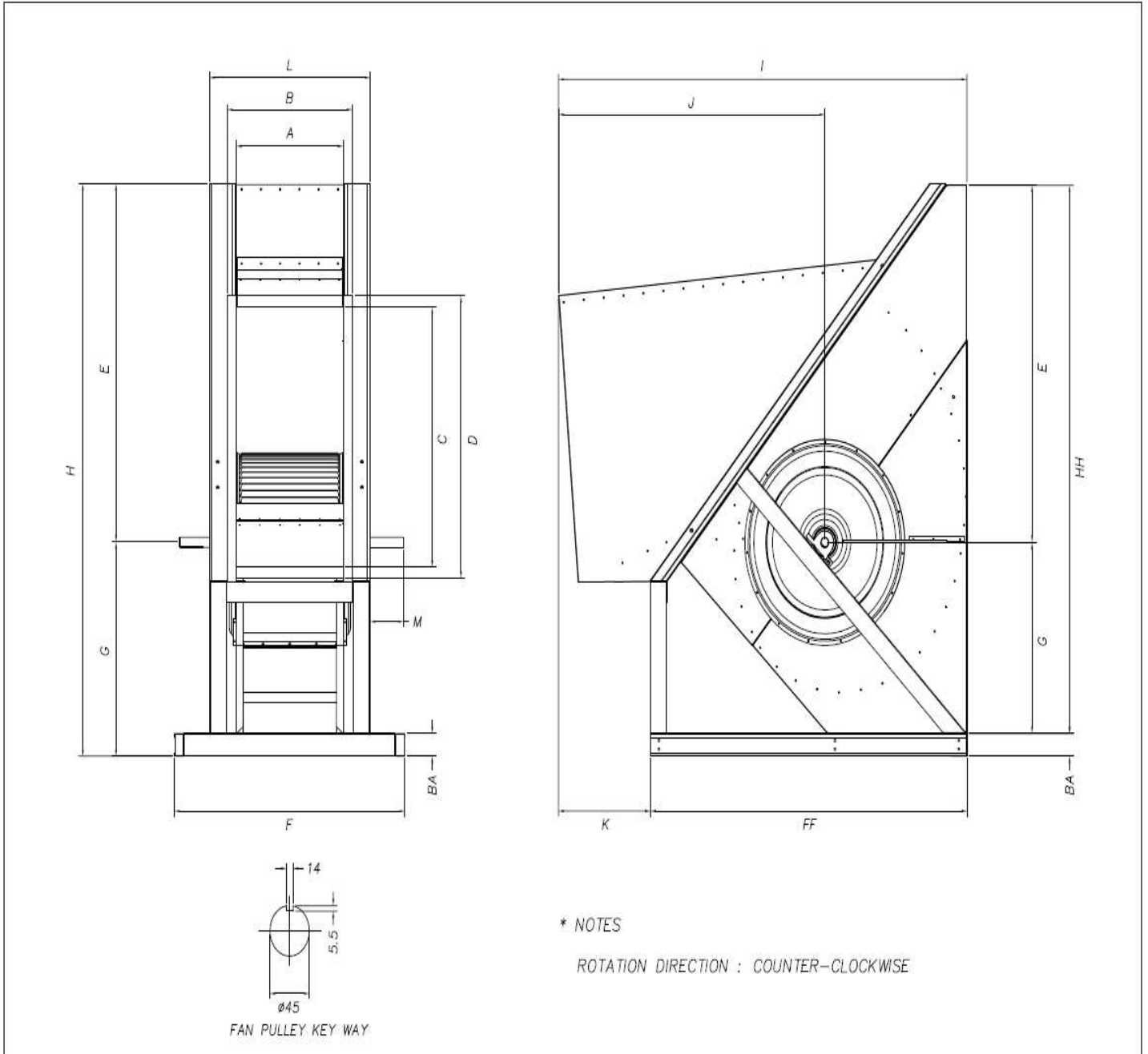
DIMENSIONS (mm)

Model No.	A	B	C	D	E	F	FF	G	H	HH	I	J	K	L	BA	중량 (kg)
KD 4V	880	988	663	772	1045	1103	1482	820	1865	1732	1728	1027	218	146	133	242



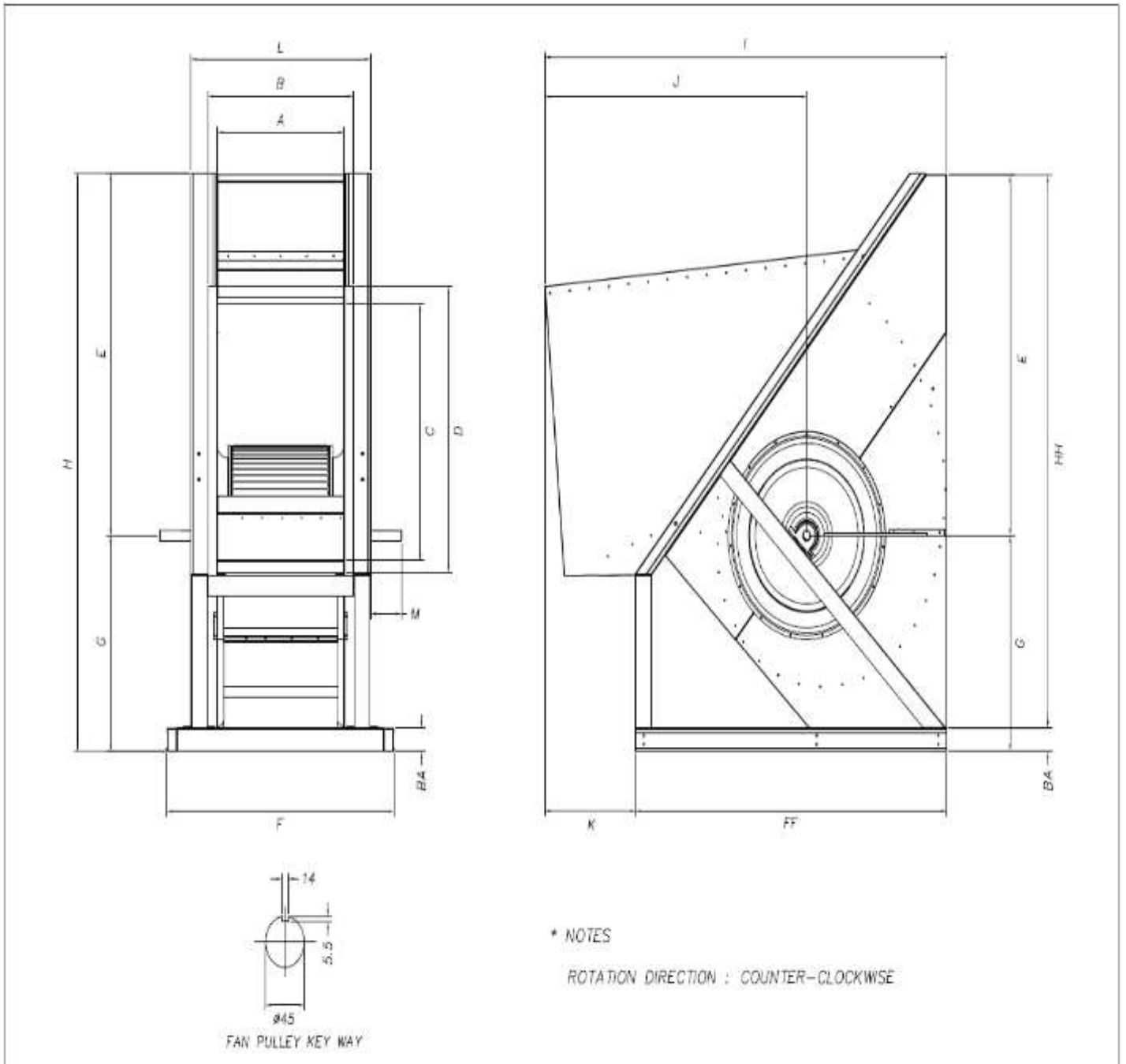
DIMENSIONS (mm)

Model No.	A	B	C	D	E	F	FF	G	H	HH	I	J	K	L	M	BA	중량 (kg)
KD 8V	778	883	742	847	1106	1312	1500	939	2045	1944	1643	924	153	1085	173	101	235



DIMENSIONS (mm)

Model No.	A	B	C	D	E	F	FF	G	H	HH	I	J	K	L	M	BA	중량 (kg)
KD 12V	613	716	1155	1254	2600	1320	1810	950	2600	2449	2333	1521	525	920	190	101	319



DIMENSIONS (mm)

Model No.	A	B	C	D	E	F	FF	G	H	HH	I	J	K	L	M	BA	중량 (kg)
KD 18V	740	843	1155	1254	2600	1320	1810	950	2550	2449	2333	1521	525	1047	178	101	336