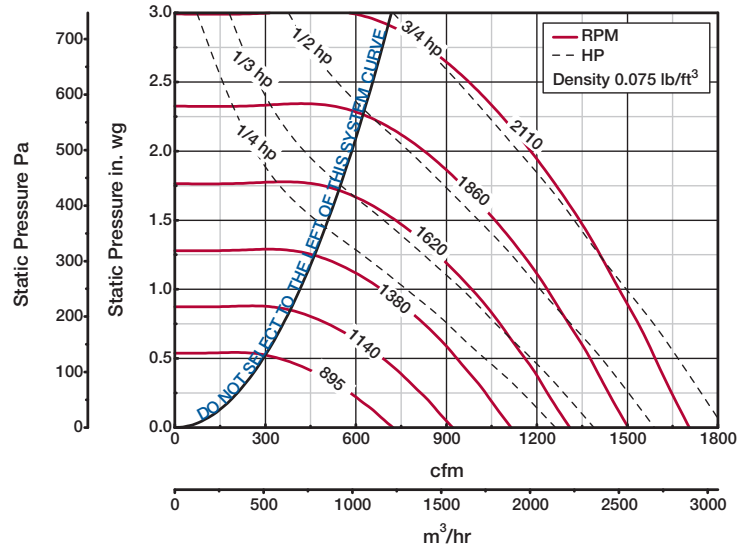
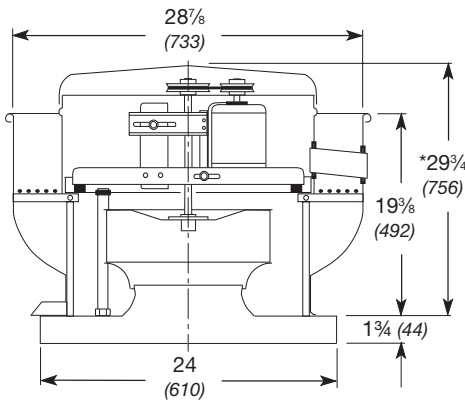


Roof Upblast - Belt Drive

MCDCUBE 142HP



MCDCUBE

- Damper Size = 16 x 16 (406 x 406)
- Roof Opening = 18½ x 18½ (470 x 470)
- Windband Thickness = 0.051 (1.3)
- Motor Cover Thickness = 0.040 (1.0)
- Curb Cap Thickness = 0.064 (1.6)
- ^Approximate Unit Weight = 84 lb (38 kg)

All dimensions in inches (millimeters). *May be greater depending on motor. ^Weight shown is largest cataloged Open Drip-Proof motor.

Model Size	Motor HP	Fan RPM	CFM / Static Pressure in Inches wg													
			0.5	0.75	1	1.25	1.5	1.75	2	2.25	2.5	2.75				
142HP-4	1/4	895	CFM	331												
			BHP	0.06												
			Sones	6.1												
		1037	CFM	566												
			BHP	0.10												
			Sones	6.7												
	1179	CFM	733	563												
		BHP	0.13	0.14												
		Sones	8.9	9.2												
		1321	CFM	878	756	591										
			BHP	0.18	0.19	0.19										
			Sones	12.1	11.6	13.6										
1465	CFM	1016	920	798	642											
	BHP	0.24	0.26	0.26	0.26											
	Sones	14.2	13.5	13.2	15.5											
142HP-3	1/3	1605	CFM	1146	1063	965	846	704								
			BHP	0.31	0.33	0.34	0.34	0.34								
			Sones	15.2	14.4	14.2	14.0	15.2								
142HP-5	1/2	1725	CFM	1256	1178	1098	999	879	747							
			BHP	0.38	0.40	0.42	0.43	0.43	0.42							
			Sones	16.1	15.4	15.0	14.9	14.7	15.7							
		1845	CFM	1363	1292	1219	1137	1042	924	800						
			BHP	0.46	0.48	0.50	0.52	0.52	0.52	0.51						
			Sones	17.0	16.6	16.2	16.0	15.9	15.6	16.1						
142HP-7	3/4	1960	CFM	1463	1399	1330	1260	1176	1086	970	854					
			BHP	0.54	0.57	0.59	0.61	0.62	0.63	0.62	0.62					
			Sones	18.1	17.7	17.4	17.2	17.1	17.0	16.8	16.9					
		2035	CFM	1528	1468	1402	1335	1261	1175	1077	965	826				
			BHP	0.60	0.63	0.66	0.68	0.69	0.70	0.70	0.69	0.67				
			Sones	18.9	18.5	18.2	18.0	18.0	17.8	17.7	17.5	17.8				
	2110	CFM	1592	1536	1473	1409	1341	1262	1178	1073	965	804				
		BHP	0.67	0.70	0.72	0.75	0.77	0.78	0.78	0.78	0.77	0.73				
		Sones	19.8	19.3	19.1	19.0	18.9	18.8	18.6	18.5	18.3	20				

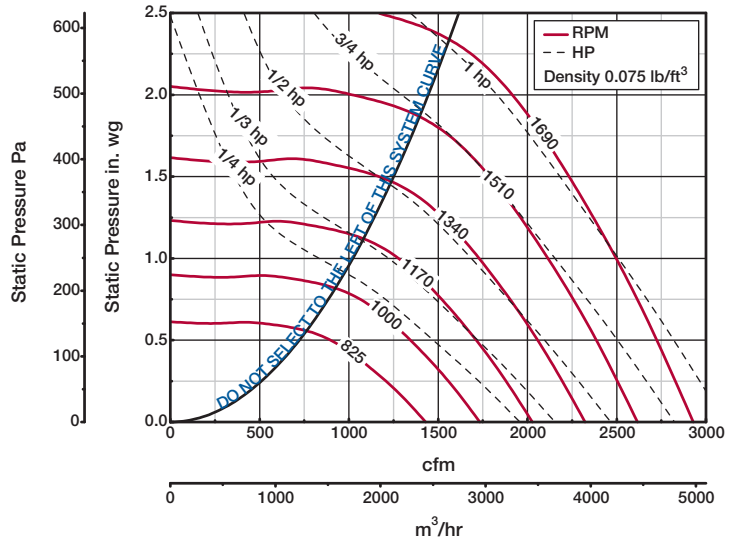
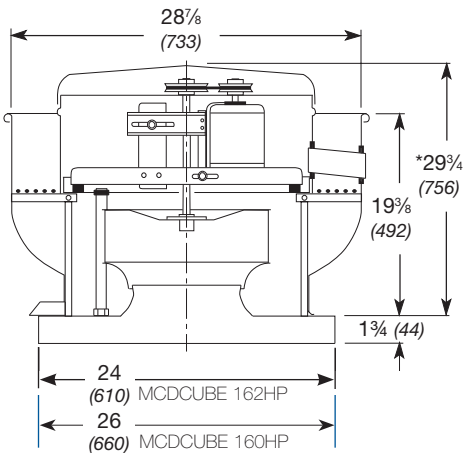
MAXIMUM BHP AT A GIVEN RPM = (RPM/2285)³
 MAXIMUM RPM = 2110
 TIP SPEED (ft/min) = RPM x 3.829
 MAXIMUM MOTOR FRAME SIZE = 145T
 AVERAGE DISCHARGE VELOCITY (FPM) = CFM/1.72

Performance certified is for installation type A: Free inlet, Free outlet. Power rating (BHP) does not include transmission losses. Performance ratings do not include the effects of appurtenances (accessories). The sound ratings shown are loudness values in fan sones at 5 ft. (1.5 m) in a hemispherical free field calculated per AMCA Standard 301. Values shown are for installation type A: Free inlet hemispherical sone levels.

Roof Upblast - Belt Drive

MDCUBE 160HP

MDCUBE 162HP



MDCUBE

- Damper Size = 16 x 16 (406 x 406)
- Roof Opening = 18½ x 18½ (470 x 470)
- Windband Thickness = 0.051 (1.3)
- Motor Cover Thickness = 0.040 (1.0)
- Curb Cap Thickness = 0.064 (1.6)
- ^Approximate Unit Weight = 87 lb (39 kg)

All dimensions in inches (millimeters). *May be greater depending on motor. ^Weight shown is largest cataloged Open Drip-Proof motor.

Model Size	Motor HP	Fan RPM	CFM / Static Pressure in Inches wg																			
			0.5	0.625	0.75	0.875	1	1.25	1.5	1.75	2	2.25										
160HP-4 162HP-4	1/4	825	CFM	889																		
			BHP	0.12																		
			Sones	7.0																		
		910	CFM	1129	956																	
			BHP	0.16	0.16																	
			Sones	8.3	7.8																	
		995	CFM	1331	1208	1042																
			BHP	0.21	0.21	0.21																
			Sones	9.6	9.3	8.8																
1065	CFM	1487	1377	1252	1093																	
	BHP	0.25	0.26	0.26	0.26																	
	Sones	11.0	10.6	10.2	9.8																	
160HP-3 162HP-3	1/3	1165	CFM	1697	1608	1504	1395	1252														
			BHP	0.32	0.33	0.34	0.34	0.34														
			Sones	12.8	12.7	12.2	11.7	11.3														
160HP-5 162HP-5	1/2	1255	CFM	1882	1799	1715	1617	1519	1218													
			BHP	0.40	0.41	0.42	0.43	0.43	0.42													
			Sones	13.1	12.8	12.5	12.0	11.5	10.6													
		1340	CFM	2053	1975	1897	1816	1724	1513													
			BHP	0.48	0.49	0.50	0.51	0.52	0.52													
			Sones	14.4	13.8	13.3	12.8	12.3	11.3													
160HP-7 162HP-7	3/4	1441	CFM	2253	2180	2108	2036	1961	1790	1577												
			BHP	0.59	0.60	0.61	0.63	0.64	0.65	0.65												
			Sones	16.3	15.8	15.2	14.7	14.3	13.5	12.3												
		1535	CFM	2433	2368	2301	2233	2165	2015	1855	1638											
			BHP	0.70	0.72	0.73	0.74	0.76	0.78	0.79	0.78											
			Sones	18.1	17.7	17.2	16.8	16.4	15.7	14.9	13.5											
160HP-10 162HP-10	1	1610	CFM	2573	2516	2452	2387	2322	2190	2037	1863	1651										
			BHP	0.80	0.82	0.83	0.85	0.86	0.89	0.90	0.91	0.90										
			Sones	19.6	19.2	18.8	18.4	18.1	17.5	16.9	15.8	14.3										
		1690	CFM	2722	2671	2611	2550	2488	2365	2228	2082	1899	1664									
			BHP	0.92	0.94	0.95	0.97	0.98	1.01	1.03	1.05	1.05	1.03									
			Sones	21	21	21	20	20	19.5	19.1	18.6	16.9	15.0									

MAXIMUM BHP AT A GIVEN RPM = (RPM/1660)³
 MAXIMUM RPM = 1690
 TIP SPEED (ft/min) = RPM x 4.352
 MAXIMUM MOTOR FRAME SIZE = 145T
 AVERAGE DISCHARGE VELOCITY (FPM) = CFM/1.72

Performance certified is for installation type A: Free inlet, Free outlet. Power rating (BHP) does not include transmission losses. Performance ratings do not include the effects of appurtenances (accessories). The sound ratings shown are loudness values in fan sones at 5 ft. (1.5 m) in a hemispherical free field calculated per AMCA Standard 301. Values shown are for installation type A: Free inlet hemispherical sone levels.