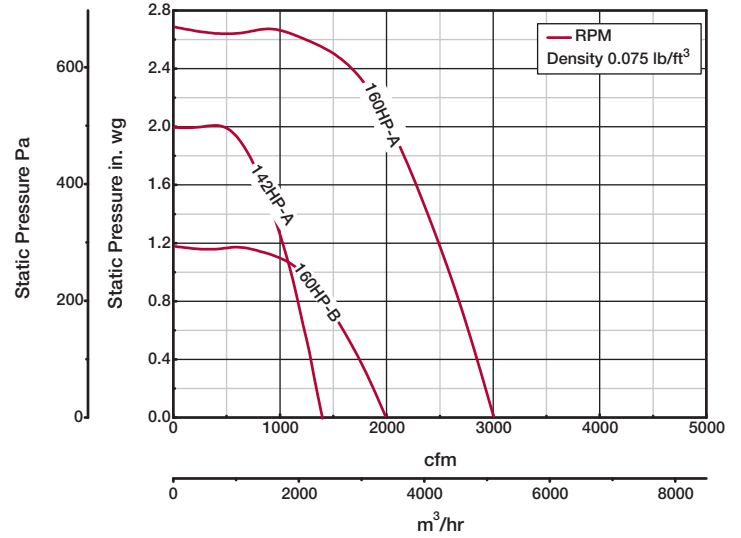
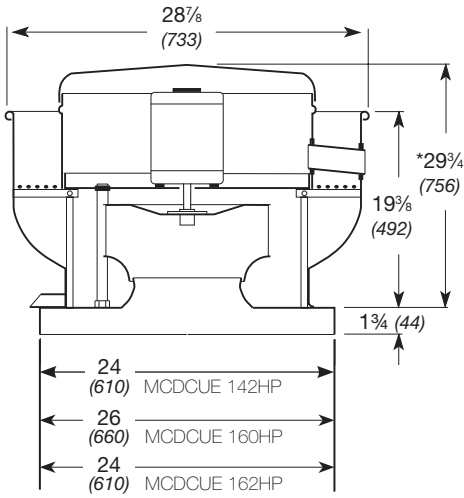


Roof Upblast - Direct Drive

MCDCUE 142HP

MCDCUE 160HP • MCDCUE 162HP



MCDCUE

Damper Size = 16 x 16 (406 x 406)
 Roof Opening = $18\frac{1}{2}$ x $18\frac{1}{2}$ (470 x 470)
 Windband Thickness = 0.051 (1.3)
 Motor Cover Thickness = 0.040 (1.0)
 Curb Cap Thickness = 0.064 (1.6)
 ^Approximate Unit Weight = 90 lb (41 kg)

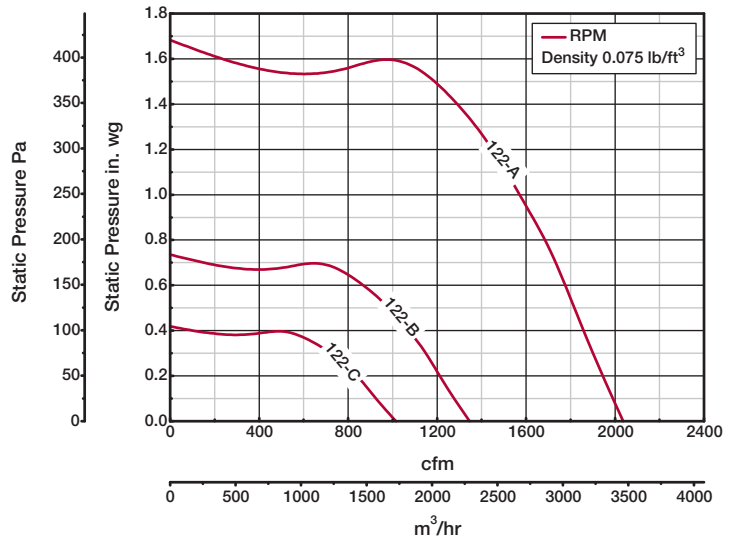
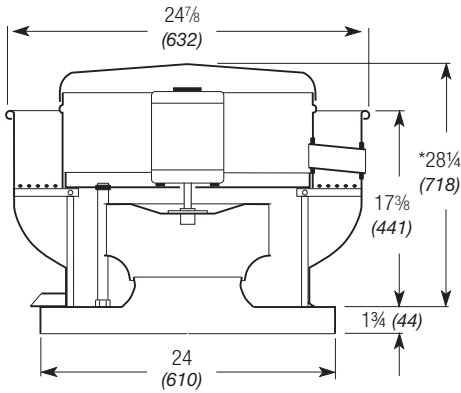
All dimensions in inches (millimeters). *May be greater depending on motor. ^Weight shown is largest cataloged Open Drip-Proof motor.

MAXIMUM MOTOR FRAME SIZE = 145T

Model Size	Motor HP	Fan RPM	CFM / Static Pressure in Inches wg											
			0	0.25	0.5	0.75	1	1.25	1.5	1.75	2	2.25		
142HP-A	1/2	1725	CFM	1394	1324	1256	1178	1098	999	879	747			
			BHP	0.34	0.36	0.38	0.40	0.42	0.43	0.43	0.42			
			Sones	16.6	16.3	16.1	15.4	15.0	14.9	14.7	15.7			
160HP-B 162HP-B	1/3	1140	CFM	1976	1822	1645	1444	1175						
			BHP	0.26	0.28	0.31	0.32	0.32						
			Sones	13.5	12.8	12.5	11.9	11.1						
160HP-A 162HP-A	1½	1725	CFM	2990	2888	2787	2680	2560	2439	2310	2167	2003	1810	
			BHP	0.89	0.93	0.97	1.01	1.04	1.07	1.10	1.11	1.12	1.11	
			Sones	24	23	22	22	21	20	20	19.6	18.3	16.6	

Performance certified is for installation type A: Free inlet, Free outlet. Performance ratings do not include the effects of appurtenances (accessories). The sound ratings shown are loudness values in fan sones at 5 ft. (1.5 m) in a hemispherical free field calculated per AMCA Standard 301. Values shown are for installation type A: Free inlet hemispherical sone levels.

Roof Upblast - Direct Drive MCCUE 122



MCCUE

Damper Size = 12 x 12 (305 x 305)
 Roof Opening = 14½ x 14½ (368 x 368)
 Windband Thickness = 0.051 (1.3)
 Motor Cover Thickness = 0.040 (1.0)
 Curb Cap Thickness = 0.064 (1.6)
 ^Approximate Unit Weight = 64 lb (29 kg)

All dimensions in inches (millimeters). *May be greater depending on motor. ^Weight shown is largest cataloged Open Drip-Proof motor.

MAXIMUM MOTOR FRAME SIZE = 56

Model Size	Motor HP	Fan RPM		CFM / Static Pressure in Inches wg										
				0	0.125	0.25	0.375	0.5	0.625	0.75	1	1.25	1.5	
122-C	1/8	860	CFM	1015	905	781	581							
			BHP	0.05	0.05	0.06	0.06							
			Sones	5.3	5.7	5.6	5.7							
122-B	1/6	1140	CFM	1346	1261	1180	1091	981	833					
			BHP	0.11	0.12	0.13	0.13	0.14	0.14					
			Sones	7.4	7.9	8.2	8.2	8.0	8.1					
122-A	1/2	1725	CFM	2037	1979	1923	1869	1816	1763	1710	1571	1406	1176	
			BHP	0.39	0.40	0.41	0.43	0.44	0.45	0.46	0.47	0.48	0.46	
			Sones	15.6	16.1	16.7	17.3	17.9	18.2	18.4	18.7	18.6	18.4	

Performance certified is for installation type A: Free inlet, Free outlet. Performance ratings do not include the effects of appurtenances (accessories). The sound ratings shown are loudness values in fan sones at 5 ft. (1.5 m) in a hemispherical free field calculated per AMCA Standard 301. Values shown are for installation type A: Free inlet hemispherical sone levels.