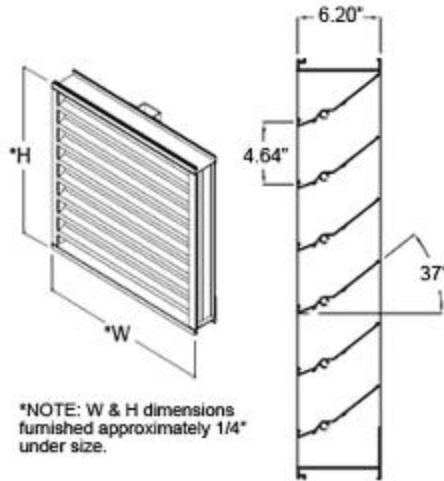




1351 13th Avenue South, Suite 130  
 Jacksonville Beach, Fl. 32250  
 Ph: (904) 241-9944 Fax: (904) 246-8333  
 http://www.moffitthvac.com

**LV6035-6EA HIGH PERFORMANCE ADJUSTABLE WALL LOUVER  
 DRAINABLE 6" BLADE WITH JAMB GUTTERS DOWNSPOUTS**



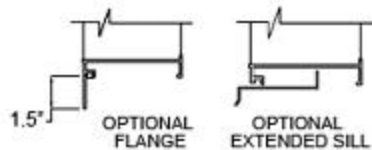
\*NOTE: W & H dimensions furnished approximately 1/4" under size.

**STANDARD FEATURES:**

1. Frame: .125" Extruded Aluminum 6.20" deep
2. Blades: .081 Extruded Aluminum positioned on a 37° angle on approx. 4.64" centers
3. Linkage: In airstream
4. Birdscreen: 3/4" x .051 Flattened Aluminum in removable frame. Screen is mounted on inside (rear) as looking from exterior of building.
5. Finish: Mill Aluminum (std.)
6. Min. Size: 12" wide x 12" high
7. Max. Size: 120" wide x 120" high single section

NOTE: Drainable blade louvers should be limited to 10' max. section widths (no more than 10' between vertical downspouts) to enable the drainable design to function effectively.

**FRAME CONSTRUCTION:**



**OPTIONAL FEATURES:**

- Frame: Flanged Frame  
 Extended Sill  
 Filter Racks  
 Security Bars  
 Hinged Subframe  
 Welded Construction (Wind Load 50 p.s.f.)
- Screen: Insect (Aluminum 18-16 Mesh)  
 Finish: Baked Powder Polyester  
 Baked Powder Fluoropolymer 70%  
 Baked Powder Clear Coat  
 Clear Anodize  
 Integral Color Anodize

MARK	QTY	LOUVER SIZE		JOB DESCRIPTION
		A' WIDTH	B' HEIGHT	

All specifications are subject to change without notice unless approved in submittal by Moffitt Corporation, Inc.

LV6035-6EA  
 AUGUST 2007





1351 13th Avenue South, Suite 130  
 Jacksonville Beach, Fl. 32250  
 Ph: (904) 241-9944 Fax: (904) 246-8333  
<http://www.moffitthvac.com>

**LV6035-6EA FREE AREA CHART (SQURE FEET)**

Height (Inches)	Width (Inches)								
	12	18	24	30	36	42	48	54	60
12	0.27	0.44	0.61	0.78	0.95	1.11	1.28	1.45	1.62
18	0.54	0.87	1.20	1.54	1.87	2.20	2.53	2.86	3.20
24	0.79	1.27	1.76	2.24	2.72	3.21	3.69	4.18	4.66
30	1.06	1.72	2.37	3.03	3.68	4.34	4.99	5.65	6.30
36	1.27	2.06	2.84	3.62	4.40	5.19	5.97	6.75	7.54
42	1.51	2.44	3.37	4.29	5.22	6.15	7.08	8.01	8.94
48	1.82	2.95	4.07	5.19	6.31	7.43	8.56	9.68	10.80
54	1.99	3.22	4.45	5.68	6.90	8.13	9.36	10.59	11.81
60	2.24	3.62	5.00	6.39	7.77	9.15	10.53	11.91	13.29
66	2.50	4.05	5.59	7.13	8.67	10.21	11.75	13.29	14.83
72	2.72	4.40	6.07	7.75	9.42	11.10	12.77	14.45	16.12
78	2.99	4.82	6.66	8.50	10.33	12.17	14.01	15.85	17.68
84	3.22	5.21	7.19	9.18	11.16	13.15	15.13	17.12	19.10
90	3.50	5.66	7.81	9.97	12.12	14.28	16.43	18.59	20.74
96	3.72	6.01	8.29	10.58	12.87	15.16	17.45	19.73	22.02
102	3.96	6.40	8.84	11.27	13.71	16.15	18.58	21.02	23.46
108	4.23	6.83	9.43	12.03	14.63	17.23	19.83	22.43	25.03
114	4.44	7.17	9.90	12.63	15.36	18.09	20.82	23.55	26.28
120	4.70	7.60	10.49	13.39	16.28	19.18	22.07	24.96	27.86

Height (Inches)	Width (Inches)									
	66	72	78	84	90	96	102	108	114	120
12	1.79	1.95	2.12	2.29	2.46	2.63	2.80	2.96	3.13	3.30
18	3.53	3.86	4.19	4.52	4.86	5.19	5.52	5.85	6.18	6.52
24	5.14	5.63	6.11	6.60	7.08	7.57	8.05	8.53	9.02	9.50
30	6.96	7.61	8.27	8.92	9.58	10.23	10.89	11.54	12.20	12.85
36	8.32	9.10	9.88	10.67	11.45	12.23	13.02	13.80	14.58	15.36
42	9.86	10.79	11.72	12.65	13.58	14.51	15.43	16.36	17.29	18.22
48	11.92	13.04	14.17	15.29	16.41	17.53	18.65	19.78	20.90	22.02
54	13.04	14.27	15.49	16.72	17.95	19.18	20.40	21.63	22.86	24.09
60	14.67	16.05	17.43	18.81	20.19	21.57	22.95	24.33	25.71	27.09
66	16.37	17.92	19.46	21.00	22.54	24.08	25.62	27.16	28.70	30.24
72	17.80	19.47	21.15	22.82	24.50	26.17	27.85	29.52	31.20	32.87
78	19.52	21.36	23.19	25.03	26.87	28.71	30.54	32.38	34.22	36.05
84	21.09	23.07	25.06	27.04	29.02	31.01	32.99	34.98	36.96	38.95
90	22.90	25.05	27.21	29.36	31.52	33.67	35.83	37.99	40.14	42.30
96	24.31	26.60	28.89	31.17	33.46	35.75	38.04	40.33	42.61	44.90
102	25.90	28.33	30.77	33.21	35.65	38.08	40.52	42.96	45.39	47.83
108	27.63	30.23	32.83	35.43	38.03	40.63	43.23	45.83	48.43	51.03
114	29.01	31.74	34.47	37.21	39.94	42.67	45.40	48.13	50.86	53.59
120	30.75	33.65	36.54	39.44	42.33	45.22	48.12	51.01	53.91	56.80



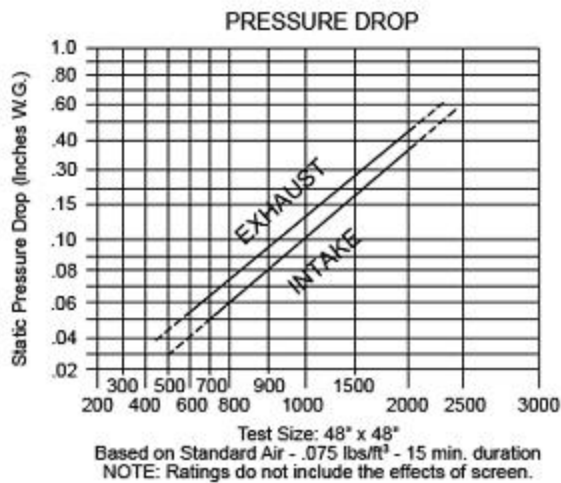
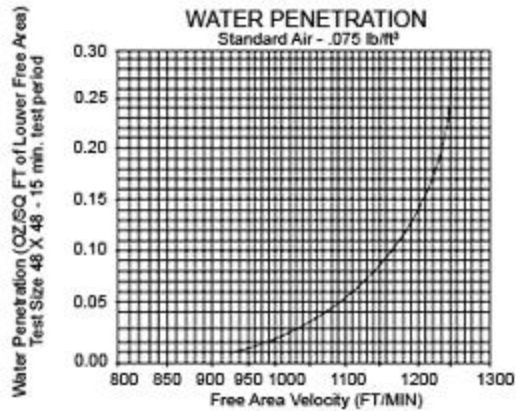
1351 13th Avenue South, Suite 130  
 Jacksonville Beach, Fl. 32250  
 Ph: (904) 241-9944 Fax: (904) 246-8333  
<http://www.moffitthvac.com>

**LV6035-6EA HIGH PERFORMANCE ADJUSTABLE WALL LOUVER PERFORMANCE DATA**

**High Performance Drainable Blade**

Moffitt's LV6035-6EA is a weather louver designed to protect the outside opening in building exterior walls. These louvers may be used for exhaust or intake air. This model incorporates drainable blade and downspouts jamb gutter design for high performance.

Beginning point of WATER PENETRATION is 922 fpm  
 free area velocity at .01 oz. of water penetration



All specifications are subject to change without notice unless approved in submittal by Moffitt Corporation, Inc.

LV6035-6EA.R0  
 AUGUST 2007





1351 13th Avenue South, Suite 130  
 Jacksonville Beach, Fl. 32250  
 Ph: (904) 241-9944 Fax: (904) 246-8333  
<http://www.moffitthvac.com>

## LV6035-6EA STATIONARY ALUMINUM DRAINABLE WALL LOUVER GUIDE SPECIFICATION

- 1.1 **DESCRIPTION:**  
 Furnish and install LV6035-6EA Stationary Aluminum Drainable Wall Louver with accessories as shown on the drawings.
- 1.2 **QUALITY ASSURANCE:**  
 MOFFITT (Jacksonville, FL, 1-800-474-3267) Products establish the standard of quality required. Manufacturer and erector shall demonstrate a minimum of five (5) years of related industry experience.
- 1.3 **SUBSTITUTIONS:**  
 No substitutions will be considered unless written request for approval has been submitted by the bidder and has been received by the designer at least ten (10) days prior to bid date. Any proposed substitutions should meet the standards set by the specification.
- 1.4 **SUBMITTALS:**  
 Furnish approval drawings prior to fabrication and erection drawings prior to shipment showing all erection procedures and accessories required for the specified product.
- 2.1 **DESIGN**  
 The LV6035-6EA Adjustable Aluminum Drainable Wall Louver shall be designed to withstand (20psf) \_\_\_\_\_ psf. windload. The installer shall provide structural support as required to meet wind load. Blade style to be drainable adjustable style. The louver free area, water penetration and pressure drop levels shall meet or exceed those of the specified louver. The maximum louver assembled panel shall be 120" wide x 120" for single section. Larger sizes to be field assembled. Frame to be channel frame design.
- 2.2 **MATERIALS**  
 The LV6035-6EA Adjustable Aluminum Drainable Wall Louver frame shall be fabricated from .125" Extruded Aluminum material x 6.20" deep. Blades shall be .081" Extruded Aluminum material positioned at 37 degree angle and approximately 4.64" on centers. Louver to be mill finish and factory assembled.
- 2.3 **ACCESSORIES (Select as required)**  
 The louvers shall be equipped with 3/4" mesh x .051" flattened aluminum birdscreen in a removable frame installed on the rear (inside) of the louver.
- Louver to have Flanged Frame.  
 Louver to have Extended Sill.  
 Louver to have Blade Seals.  
 Louver to have Jamb Seals.  
 Louvers to have Filter Frames for \_\_\_\_\_" Filters.  
 Louvers to have Security Bars. \_\_\_\_\_" x \_\_\_\_\_" on \_\_\_\_\_" centers.  
 Louvers to have Hinged Sub-frame  
 Louvers to have Insect Screen – 18-16 Mesh  
 Louvers to have Baked Powder Polyester Coating  
 Louvers to have Baked Powder Fluoropolymer Coating  
 Louvers to have Baked Powder Clear Coat  
 Louvers to be Clear Anodized  
 Louvers to be Integral Color Anodized.



1351 13th Avenue South, Suite 130  
Jacksonville Beach, Fl. 32250  
Ph: (904) 241-9944 Fax: (904) 246-8333  
<http://www.moffitthvac.com>

---

**LV6035-6EA STATIONARY ALUMINUM WALL LOUVER  
GUIDE SPECIFICATION Cont.**

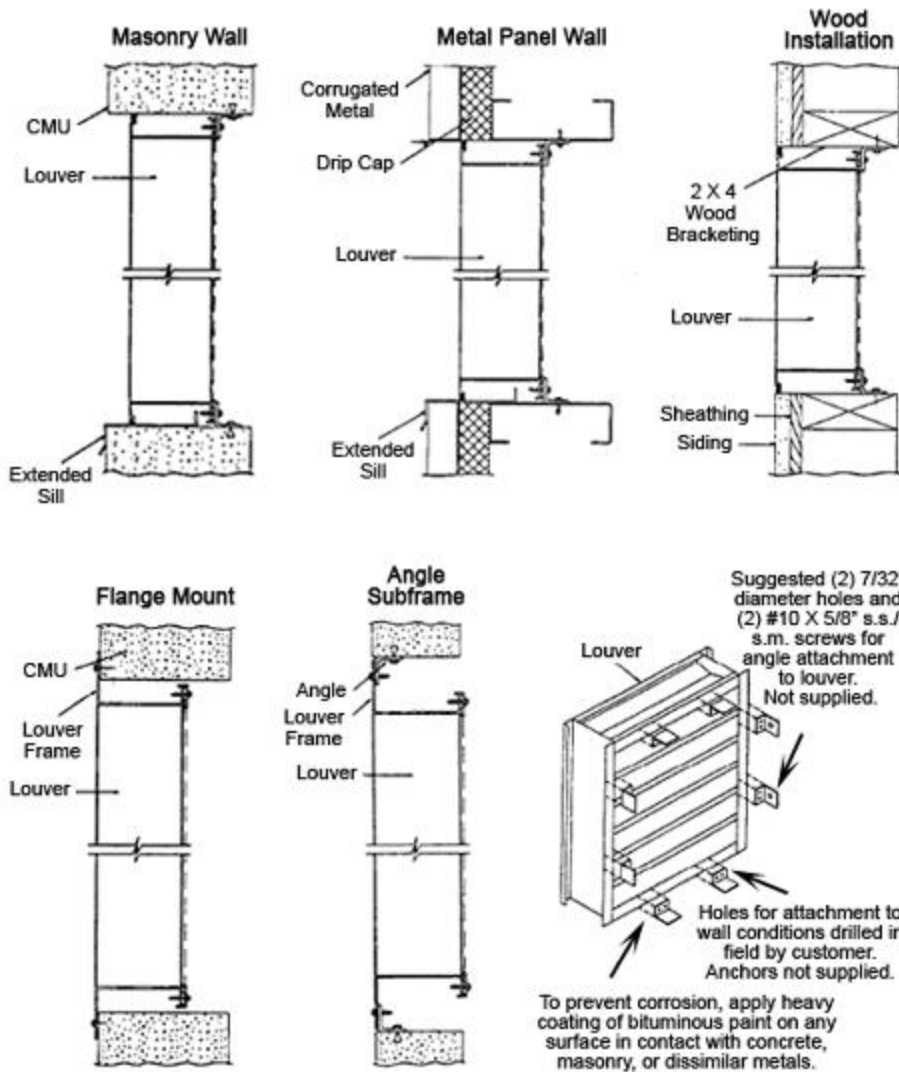
**PART 3 – EXECUTION:**

- 3.1 **INSPECTION**  
Examine alignment of structural steel prior to installation and do not proceed until structure is within tolerances established by AISC.
- 3.2 **INSTALLATION AND ERECTION:**  
Install LV6035-6EA Stationary Aluminum Wall Louver and accessories in conformance with approved drawings and MOFFITT specifications.
- 3.3 **DAMAGED MATERIAL:**  
Repair or replace all damaged material



1351 13th Avenue South, Suite 130  
 Jacksonville Beach, Fl. 32250  
 Ph: (904) 241-9944 Fax: (904) 246-8333  
 http://www.moffitthvac.com

**TYPICAL INSTALLATION DETAILS**



All specifications are subject to change without notice unless approved in submittal by Moffitt Corporation, Inc.

AUGUST 2007