

Withstands pressures up to 120± PSF.

STANDARD MATERIALS AND CONSTRUCTION

- FRAME:** .081" thick (nominal) extruded aluminum, 6063-T52/T6 alloy. Channel frame.
- BLADE:** .081" thick (nominal) extruded aluminum, 6063-T52/T6 alloy. Blades also available in 0.080" thickness (nominal).
- SCREEN:** ½" removable expanded aluminum bird screen. (Located on interior.)
- FINISH:** Mill

TEST METHODS

Miami-Dade County Florida Test Protocols:

- TAS (PA) 201
- TAS (PA) 202
- TAS (PA) 203

OPTIONS

Finish - Baked Enamel, Kynar, Anodize

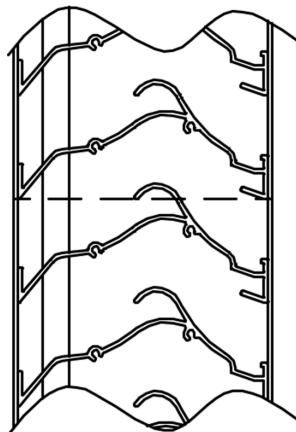
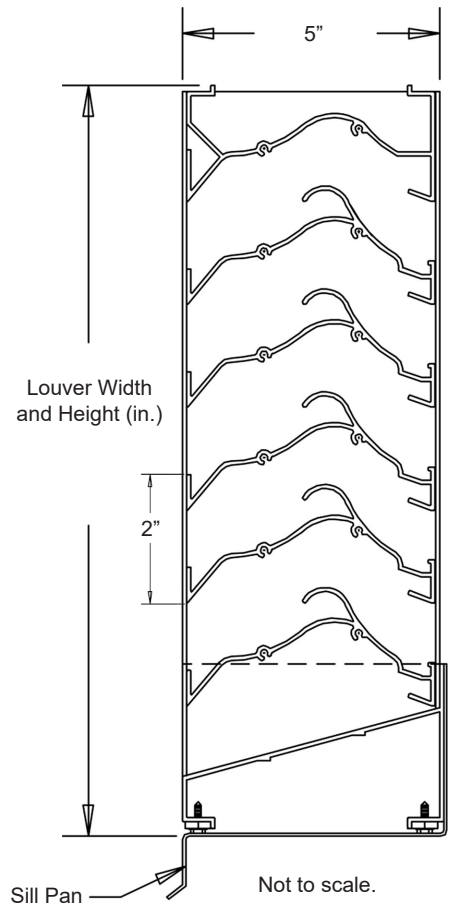
NOTES

1. Nominal deductions will be made to the opening size given.
2. Approximate shipping weight is 7.0 lbs./sq.ft.

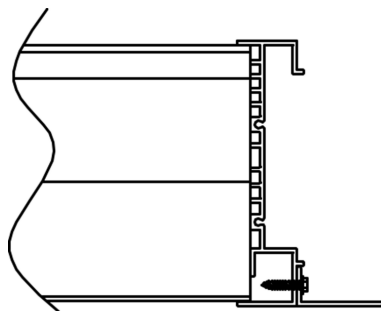
LOUVER SIZES

Min Panel	Max Single Panel
12"W x 12"H	60"W x 96"H

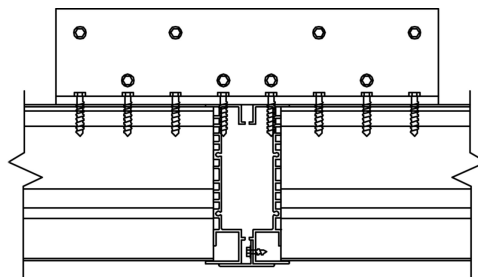
Windload requirements may limit panel sizes.



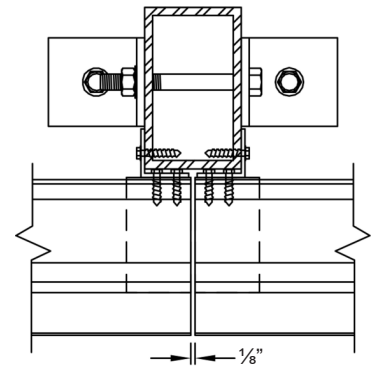
Standard Horizontal Mullion



Optional Flange Frame
(Jamb shown)



Standard Vertical Mullion



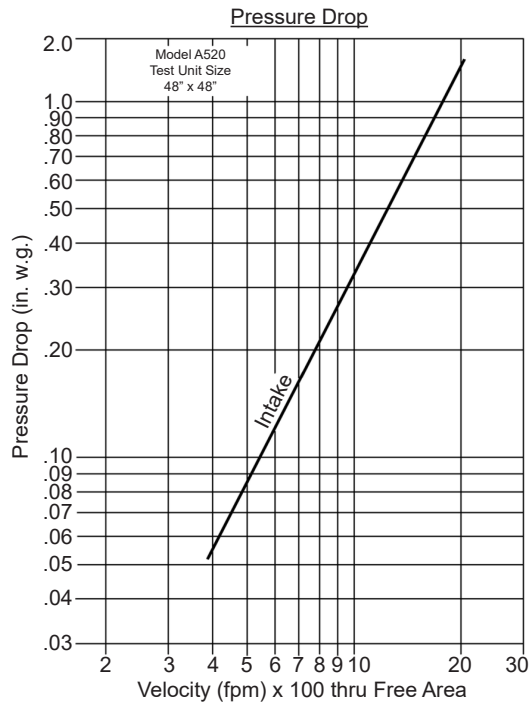
Architectural Vertical Mullion Optional

Item #	Qty	Width	Height	Width	Height	Mullion	Type	Location	Screens	Union Made
		Opening Size		Louver Size						
Arch. / Eng. :						EDR:		ECN:		Job:
Contractor:										
Project:						Date:		DWN:		DWG:



PERFORMANCE DATA

Pressure Drop: .31 in. w.g. (76.8 Pa) at 1250 fpm (6.35 m/s) and 8,850 scfm (4.18 scm/s) (intake).
 Free Area: 7.08 sq.ft. (0.658 sq.m.) = 44.3% for 48"W x 48"H (1.22 m x 1.22 m) sample (AMCA Standard 500-L).
 Beginning Point of Water Penetration: Above 1250 fpm (6.35 m/s).



Intake air converted to standard air density. Tested to AMCA Standard 500-L, Figure 5.5.

		Free Area sq.ft. (sq. meters)				
		Width in. (mm)				
		12" (305)	24" (610)	36" (914)	48" (1219)	60" (1524)
Height in. (mm)	12" (305)	0.21 (0.020)	0.49 (0.046)	0.76 (0.071)	1.04 (0.097)	1.31 (0.122)
	24" (610)	0.63 (0.059)	1.43 (0.133)	2.24 (0.208)	3.04 (0.282)	3.85 (0.358)
	36" (914)	1.04 (0.097)	2.38 (0.221)	3.72 (0.346)	5.05 (0.469)	6.39 (0.594)
	48" (1219)	1.46 (0.136)	3.33 (0.309)	5.19 (0.482)	7.08 (0.658)	8.93 (0.830)
	60" (1524)	1.88 (0.175)	4.27 (0.397)	6.67 (0.620)	9.07 (0.843)	11.47 (1.066)
	72" (1829)	2.29 (0.213)	5.22 (0.485)	8.15 (0.757)	11.08 (1.029)	14.01 (1.302)
	84" (2134)	2.71 (0.252)	6.17 (0.573)	9.63 (0.895)	13.09 (1.216)	16.55 (1.538)
	96" (2438)	3.12 (0.290)	7.11 (0.661)	11.11 (1.032)	15.10 (1.403)	19.09 (1.774)

Wind-Driven Rain Penetration Classes		Discharge Loss Coefficient Classes	
Class	Effectiveness	Class	Coefficient
A	100% to 99%	1	0.4 and above
B	98.9% to 95%	2	0.3 to 0.399
C	94.9% to 80%	3	0.2 to 0.299
D	Below 80%	4	0.199 and below

Ratings do not include effects of a screen. Tests based on 48" x 48" sample size per AMCA Standard 511.

Wind Driven Rain Performance

Wind Velocity MPH (KPH)	Rainfall Rate in/h (mm/h)	Core Velocity FPM (m/s)	Ventilation Airflow CFM (cm/min)	Free Area Velocity FPM (m/s)	Effectiveness Ratio Percentage	Water Penetration Class	Coefficient of Discharge Class
29 (46.7)	3 (76)	583 (3)	6,276 (3)	1,133 (5.8)	99.0%	Class A	Class 3
Wind Velocity MPH (KPH)	Rainfall Rate in/h (mm/h)	Core Velocity FPM (m/s)	Ventilation Airflow CFM (cm/min)	Free Area Velocity FPM (m/s)	Effectiveness Ratio Percentage	Water Penetration Class	Coefficient of Discharge Class
50 (80.5)	8 (203)	673 (3.5)	7,243 (239)	1,307 (6.68)	95.7%	Class B	Class 3

Wind driven rain performance tests based on 1 m x 1 m (39.37" x 39.37") Louver with 7.08 sq.ft. (0.658 m²) free area.



Air Balance certifies that the Model A520 shown herein is licensed to bear the AMCA seal. The ratings shown are based on tests and procedures performed in accordance with AMCA Publication 511 and comply with the requirements of the AMCA Certified Ratings Program. The AMCA Certified Ratings Seal applies to Air Performance, Water Penetration, and Wind Driven Rain Ratings only.



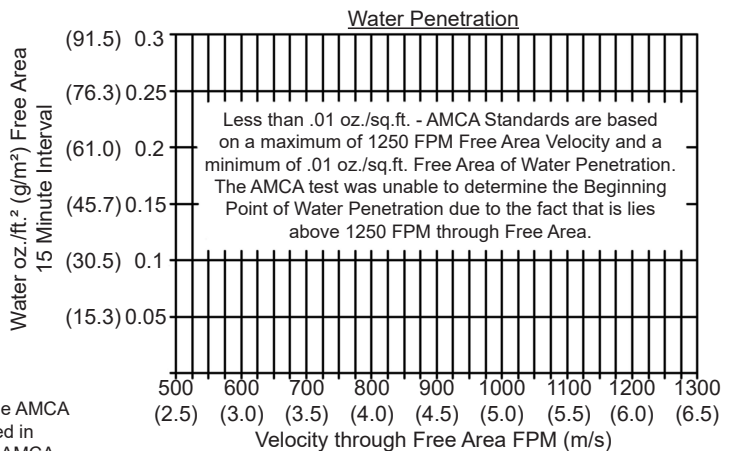
IMPACT RESISTANT LOUVER
Basic Protection Level D

See www.AMCA.org for all certified or listed products

This label does not signify AMCA airflow performance certification.

Air Balance certifies that the Model A520 shown herein is approved to bear the AMCA Listing Label. The ratings shown are based on tests and procedures performed in accordance with AMCA Publications and comply with the requirements of the AMCA Listing Label Program.

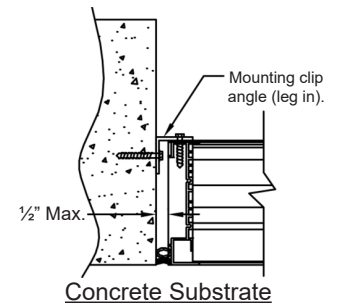
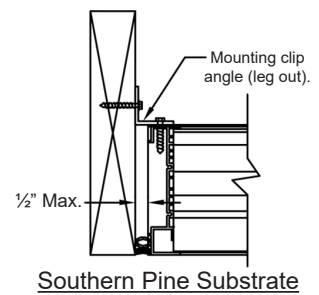
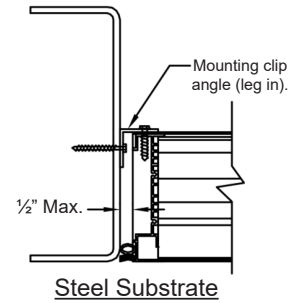
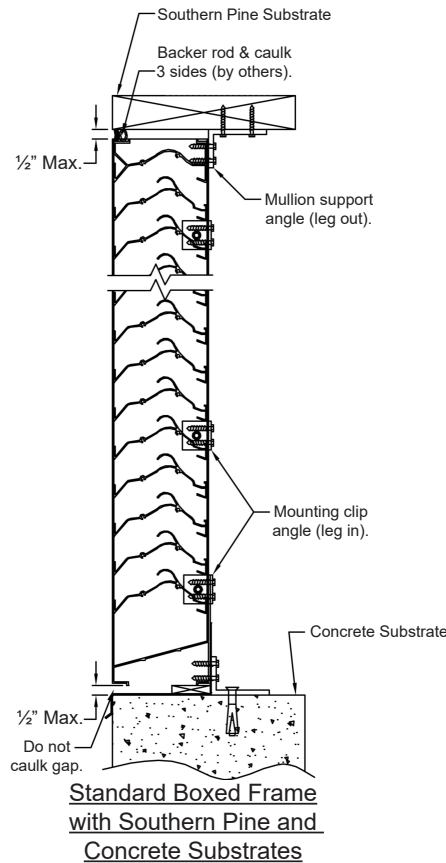
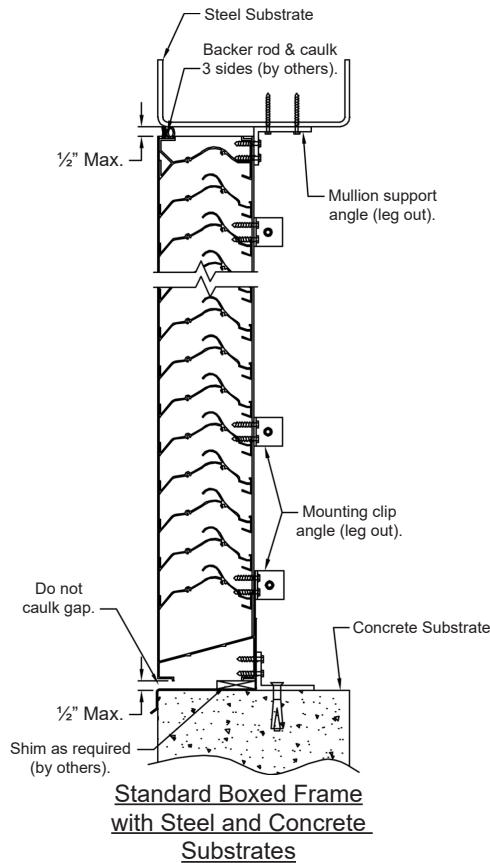
The AMCA Listing Label applies to Wind Borne Debris Impact Resistant Louvers.



Both maximum recommended Free Area Velocity and Beginning Point of Water Penetration are 1250 FPM at standard air - .075 lbs. per cu. ft.

STANDARD BOXED FRAME MODEL A520

INSTALLATION INSTRUCTIONS

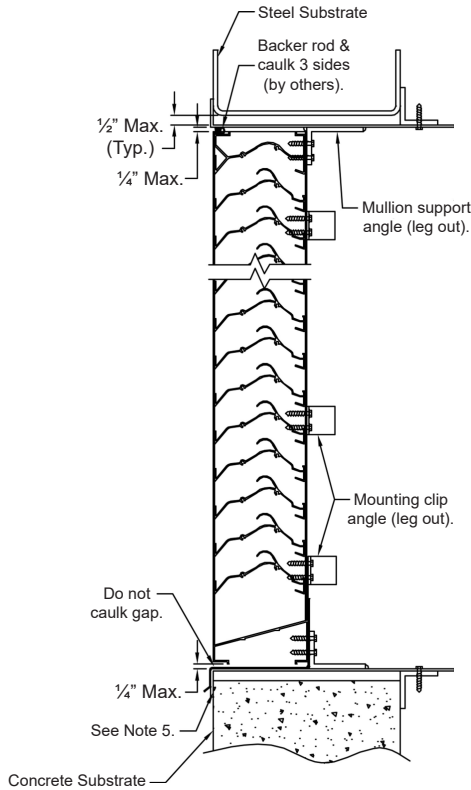


NOTES

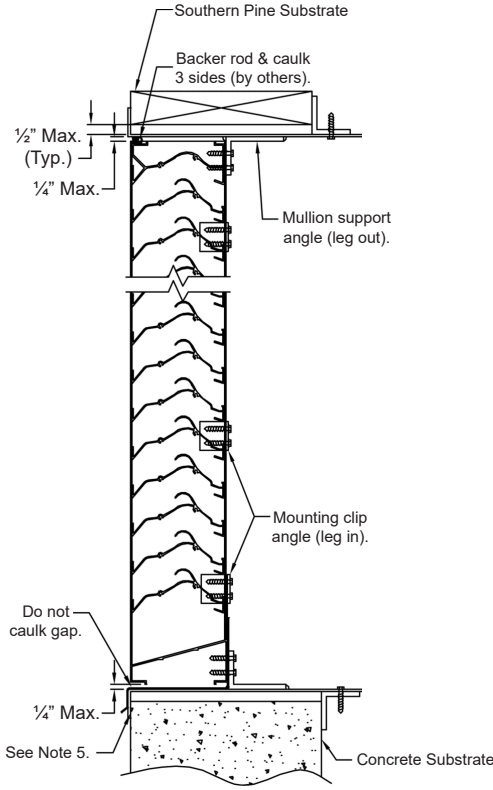
1. Mounting clip angles and mullion support angles can be installed with “legs in” or “legs out” for any approved substrate.
2. “Legs out” is the standard construction, “legs in” is optional.
3. Use shims to obtain uniform clearance between the louver and the louver opening on all sides. Shims are by others.
4. Shims under sill pans must allow enough space to insert “leg in” option into the opening.

FLANGED FRAME MODEL A520

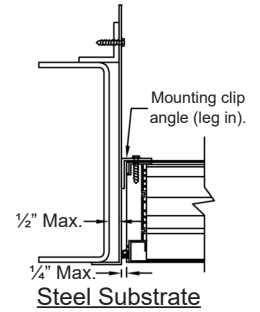
INSTALLATION INSTRUCTIONS



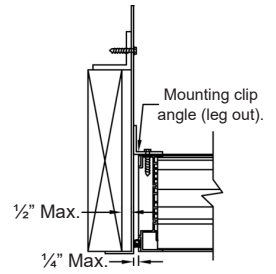
Flanged Sleeve Frame with Steel and Concrete Substrates



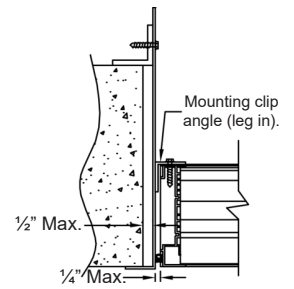
Flanged Sleeve Frame with Southern Pine and Concrete Substrates



Steel Substrate



Southern Pine Substrate



Concrete Substrate

NOTES

1. Mounting clip angles and mullion support angles can be installed with "legs in" or "legs out" for any approved substrate.
2. "Legs out" is the standard construction, "legs in" is optional.
3. The flanged sleeve can be used with any approved substrate.
4. Use shims to obtain uniform clearance between the louver and the louver opening on all sides. Shims are by others.
5. Sealant/caulk between flanged angle sleeve and substrate (typ. 4 sides) by installer.
6. Two mounting angles run the full height and length of louver.