

[®]
Dayton



Centrifugal Belt-Drive Upblast Exhaust Ventilators

**Models 5DVL6 thru 5DVL9,
5DVN0 thru 5DVN5 and 20FT16**

®
Dayton

**PLEASE READ AND SAVE
THESE INSTRUCTIONS.**

**READ CAREFULLY
BEFORE ATTEMPTING
TO ASSEMBLE, INSTALL,
OPERATE OR MAINTAIN THE
PRODUCT DESCRIBED.**

**PROTECT YOURSELF AND
OTHERS BY OBSERVING ALL
SAFETY INFORMATION. FAILURE
TO COMPLY WITH INSTRUCTIONS
COULD RESULT IN PERSONAL
INJURY AND/OR PROPERTY
DAMAGE! RETAIN INSTRUCTIONS
FOR FUTURE REFERENCE.**

**PLEASE REFER TO BACK COVER
FOR INFORMATION REGARDING
DAYTON'S WARRANTY AND OTHER
IMPORTANT INFORMATION.**

Model #: _____

Serial #: _____

Purch. Date: _____

*Form 5S6737 / Printed in USA
04632 Version 1 09/2014*

**© 2010 - 2014 Dayton Electric Manufacturing Co.
All Rights Reserved**

BEFORE YOU BEGIN

⚠ WARNING

Installation, troubleshooting and parts replacement are to be performed only by qualified personnel.

**Electrical Requirements:**

- The motor amperage and voltage ratings must be checked for compatibility to supply voltage prior to final electrical connection. The electrical supply should be routed through the conduit chase located between the mounting plate and the bottom of the motor compartment. Wiring must conform to local and national codes.

**Tools Needed:**

- Wall Mounting Fasteners (4?)
- Shims
- Sealant or Caulk
- Tachometer

Recommended Accessories:

- NEMA 1 (1H400, 1H401) / NEMA 4 (1H408, 1H409) Disconnect Switch
- Clean-Out Port Kit (3ATV9)
- Damper (4HX64-4HX70)
- Birdscreen (4YY78-4YY83)

UNPACKING

**Contents:**

- Dayton® Centrifugal Belt-Drive Upblast Exhaust Ventilator (1)
- Operating Instructions and Parts Manual (1)

**Inspect:**

- After unpacking unit, inspect carefully for any damage that may have occurred during transit. Check for loose, missing, or damaged parts. Shipping damage claim must be filed with carrier.
- Check all bolts, screws, set-screws, etc. for looseness that may have occurred during transit. Retighten as required. Rotate wheel by hand to be sure it turns freely.
- **See General Safety Instructions on page 2, and Cautions and Warnings as shown.**



GENERAL SAFETY INSTRUCTIONS

All ventilators are UL/cUL Listed Subject 762 (YZHW) and comply with all requirements set forth in NFPA 96 Standard for Ventilation Control and Fire Protection Commercial Cooking Operations.

⚠ DANGER *Do not depend on any switch as the sole means of disconnecting power when installing or servicing the ventilator. Always disconnect, lock and tag power source before installing or servicing. Failure to disconnect power source can result in fire, shock or serious injury. Motor will restart without warning after thermal protector trips. Do not touch operating motor, it may be hot enough to cause injury.*

⚠ DANGER *Do not place any body parts or objects in ventilator, motor openings or drives while motor is connected to power source.*

⚠ WARNING *Do not use this equipment in explosive atmospheres.*

1. Read and follow all instructions and cautionary markings. Make sure electrical power source conforms to requirements of equipment and local codes.
2. Ventilators should be assembled, installed and serviced by a qualified technician. Have all electrical work performed by a qualified electrician.
3. Follow all local electrical and safety codes in the United States and Canada, as well as the National Electrical Code (NEC), the Occupational Safety and Health Act (OSHA), and the National Fire Protection Association (NFPA) Bulletin 96 in the United States. Ground motor in accordance with NEC Article 250 (grounding). Follow the Canadian Electric Code (CEC) in Canada.
4. The rotation of the wheel is critical. It must be free to rotate without striking or rubbing any stationary objects.
5. Unit must be securely and adequately grounded.
6. Do not spin ventilator wheel faster than max cataloged fan RPM. Adjustments to fan speed significantly affects motor load. If the ventilator RPM is changed, the motor current should be checked to make sure it is not exceeding the motor nameplate amps.
7. Do not kink power cable or allow it to come in contact with sharp objects, oil, grease, hot surfaces or chemicals. Replace damaged cords immediately.
8. Never open access door to a duct with the ventilator running.

SPECIFICATIONS

Max. Inlet Temp.	300°F
Mounting Location	Wall (Outdoor)
Housing Material	Spun Aluminum
Wheel Type	Aluminum, Backward Inclined Centrifugal
Includes	NEMA 1 Junction Box, Mounting Plate
Agency Compliance	UL/cUL 762, AMCA Sound and Air

Dimensions (inches)

	20FT16	5DVL6	5DVL7	5DVL8	5DVL9	5DVN0	5DVN1
A	19-3/4	19-3/4	19-3/4	19-3/4	22-1/8	22-1/8	27-3/4
B	24-7/8	24-7/8	24-7/8	24-7/8	28-7/8	28-7/8	35-3/8
C	25-1/8	25-1/8	25-1/8	25-1/8	26-3/8	26-3/8	34-3/4
D	17-3/8	17-3/8	17-3/8	17-3/8	19-3/8	19-3/8	21
E	16-7/8	16-7/8	16-7/8	16-7/8	19-3/8	19-3/8	25
Wheel Dia.	11	11-1/4	12-1/2	13-1/4	14-3/4	16-1/2	18-1/2
Shaft Dia.	3/4	3/4	3/4	3/4	3/4	3/4	3/4
Recommended Wall Opening (Sq.)	12-1/2	12-1/2	12-1/2	12-1/2	15-1/2	15-1/2	17-1/2
Recommended Damper Size (Sq.)	12	12	12	12	15	15	17

	5DVN2	5DVN3	5DVN4
A	27-3/4	31-1/4	31-1/4
B	35-3/8	42-3/4	42-3/4
C	34-3/4	39-1/2	39-1/2
D	21	25-1/2	25-1/2
E	25	28-3/8	28-3/8
Wheel Dia.	21-1/4	22-3/4	24-1/2
Shaft Dia.	3/4	1	1
Recommended Wall Opening (Sq.)	17-1/2	20-1/2	20-1/2
Recommended Damper Size (Sq.)	17	20	20

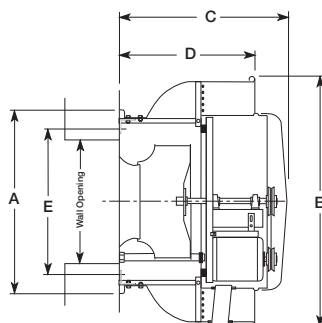


Figure 1



PERFORMANCE

Model Without Drive Package	HP	RPM	Max BHP	Sones @ .25" SP @ 5 Ft.
20FT16	1/6	1140	0.07	6.3
	1/4	1725	0.25	13.4
5DVL6	1/4	1660	0.26	12.0
	1/3	1820	0.35	13.4
5DVL7	1/4	1410	0.26	12.2
	1/3	1545	0.34	14.0
	1/2	1725	0.48	16.7
5DVL8	1/4	1305	0.26	13.9
	1/3	1435	0.35	15.1
	1/2	1645	0.52	17.4
5DVL9	1/4	1105	0.26	10.6
	1/3	1210	0.34	11.7
	1/2	1390	0.52	14.2
	3/4	1595	0.79	18.5
	1	1725	1.00	22
5DVN0	1/4	875	0.26	10.1
	1/3	965	0.35	11.5
	1/2	1110	0.54	14.2
	3/4	1265	0.79	17.7
5DVN1	1	1390	1.05	21
	1/4	745	0.26	8.1
	1/3	820	0.34	10.0
	1/2	940	0.52	13.1
	3/4	1075	0.78	15.8
	1	1185	1.04	17.1
	1-1/2	1360	1.58	22
5DVN2	2	1495	2.10	27
	1/4	605	0.26	6.7
5DVN2	1/3	665	0.35	8.1
	1/2	760	0.52	10.9
	3/4	875	0.79	15.2
	1	960	1.04	17.7
	1-1/2	1100	1.57	23
	2	1210	2.1	23



Dayton Electric Mfg. Co. certifies that the ventilators shown herein are licensed to bear the AMCA seal. The ratings shown are based on tests and procedures performed in accordance with AMCA Publication 211 and AMCA Publication 311 and comply with the requirements of the AMCA Certified Ratings Program.

CFM Air Delivery @ Static Pressure Shown								
0.00"	0.125"	0.25"	0.375"	0.50"	0.75"	1.00"	1.25"	1.50"
833	754	665	565	408	—	—	—	—
1260	1209	1156	1100	1041	918	759	—	—
1413	1365	1313	1251	1189	1056	861	—	—
1549	1505	1459	1406	1350	1234	1106	900	—
1665	1595	1528	1463	1398	1224	968	—	—
1824	1760	1699	1639	1580	1441	1262	990	—
2037	1979	1923	1869	1816	1710	1571	1406	1176
1790	1709	1629	1547	1458	1201	—	—	—
1968	1895	1822	1749	1671	1479	1198	—	—
2256	2192	2128	2065	2001	1864	1684	1455	—
2001	1906	1793	1667	1515	998	—	—	—
2192	2106	2006	1896	1773	1443	—	—	—
2518	2445	2362	2271	2174	1949	1643	—	—
2889	2826	2757	2683	2602	2430	2225	1968	1568
3125	3066	3005	2936	2865	2711	2539	2339	2085
2515	2362	2177	1974	1744	—	—	—	—
2774	2637	2477	2300	2109	1584	—	—	—
3191	3072	2941	2796	2641	2297	1770	—	—
3636	3532	3426	3301	3172	2894	2583	2163	—
3996	3901	3806	3698	3584	3340	3078	2785	2394
2815	2617	2448	2143	1763	—	—	—	—
3098	2916	2759	2525	2257	—	—	—	—
3551	3389	3243	3115	2879	2363	—	—	—
4061	3919	3786	3666	3554	3141	2652	—	—
4477	4348	4224	4108	4005	3703	3336	2841	—
5138	5026	4913	4811	4710	4532	4232	3912	3537
5648	5546	5443	5345	5254	5082	4921	4598	4313
3403	3054	2675	2144	—	—	—	—	—
3740	3422	3096	2699	2073	—	—	—	—
4275	3994	3718	3413	3048	—	—	—	—
4922	4676	4439	4192	3922	3240	—	—	—
5400	5176	4958	4742	4508	3985	3169	—	—
6187	5992	5798	5610	5421	5006	4529	3861	—
6806	6628	6451	6279	6108	5748	5350	4892	4289

Performance certified is for installation type A: Free inlet, Free outlet. Power rating (BHP) does not include transmission losses. Performance ratings do not include the effects of appurtenances (accessories). The sound ratings shown are loudness values in fan sones at 5 ft. (1.5 m) in a hemispherical free field calculated per AMCA Standard 301. Values shown are for installation type A: Free inlet hemispherical sone levels.

PERFORMANCE CONTINUED

Model Without Drive Package	HP	RPM	Max BHP	Sones @ .25" SP @ 5 Ft.
5DVN3	1/4	475	0.26	6.5
	1/3	520	0.34	7.6
	1/2	600	0.52	10.0
	3/4	685	0.78	13.4
	1	755	1.04	16.3
	1-1/2	865	1.57	19.3
	2	955	2.11	24
5DVN4	1/4	465	0.26	6.3
	1/3	510	0.34	7.3
	1/2	585	0.52	9.5
	3/4	670	0.79	12.8
	1	735	1.04	15.5
	1-1/2	845	1.57	18.6
	2	930	2.10	23
	3	1050	3.00	31
5DVN5	1/3	365	0.34	5.7
	1/2	420	0.52	7.5
	3/4	480	0.77	9.9
	1	530	1.05	12.2
	1-1/2	605	1.55	15.7
	2	665	2.07	18.6
	3	765	3.15	23
	5	905	5.21	32

CFM Air Delivery @ Static Pressure Shown								
0.00"	0.125"	0.25"	0.375"	0.50"	0.75"	1.00"	1.25"	1.50"
3784	3377	2896	2268	—	—	—	—	—
4142	3771	3357	2845	—	—	—	—	—
4779	4457	4124	3736	3279	—	—	—	—
5457	5174	4893	4581	4234	3383	—	—	—
6014	5758	5502	5239	4944	4258	—	—	—
6890	6667	6443	6220	5987	5453	4835	4111	—
7607	7405	7202	7000	6799	6347	5844	5261	4602
4216	3768	3188	2162	—	—	—	—	—
4623	4243	3717	3134	—	—	—	—	—
5303	4961	4540	4093	3565	—	—	—	—
6074	5763	5461	5052	4659	3524	—	—	—
6663	6370	6133	5764	5409	4618	—	—	—
7660	7400	7184	6947	6615	6002	5282	—	—
8431	8194	7985	7798	7536	6953	6375	5706	4324
9519	9309	9107	8941	8775	8267	7766	7253	6672
5940	5316	4464	—	—	—	—	—	—
6835	6314	5660	4820	—	—	—	—	—
7811	7377	6844	6231	5440	—	—	—	—
8625	8231	7772	7245	6636	—	—	—	—
9845	9501	9127	8705	8226	7084	—	—	—
10,822	10,508	10,193	9808	9411	8495	7271	—	—
12,449	12,176	11,904	11,607	11,273	10,554	9743	8756	7352
14,727	14,497	14,266	14,036	13,788	13,223	12,614	11,963	11,191

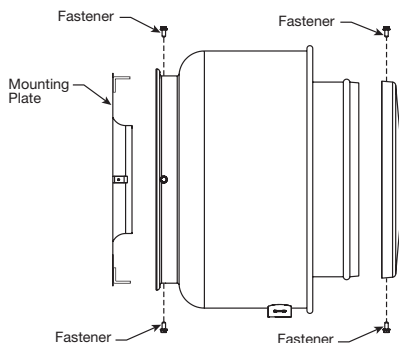
Performance certified is for installation type B: Free inlet, Ducted outlet. Performance ratings do not include the effects of appurtenances (accessories). The sound ratings shown are loudness values in fan sones at 1.5 m (5 feet) in a hemispherical free field calculated per AMCA Standard 301. Values shown are for installation type B: free inlet hemispherical fan sone levels.

INSTALLATION INSTRUCTIONS

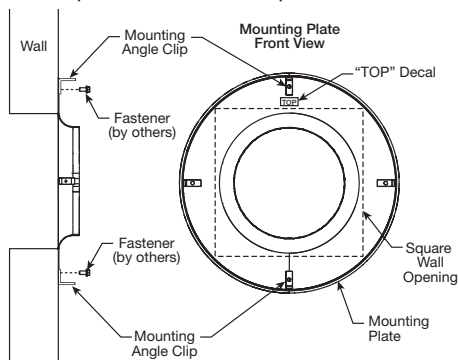
⚠ WARNING *Installation, troubleshooting and parts replacement is to be performed only by a qualified personnel. Consult and follow NFPA 96 recommendations. NFPA 96 instructions supercede this document.*

⚠ CAUTION *Do not raise unit by its windband; use a sling or platform. Never pass slings or timbers through the venturi of unit.*

NOTE: Ventilator mounts on building wall and exhausts directly away from the building. Location and placement should be analyzed. Proximity to nearby buildings and people must be considered.

UL 705 Wall-Mount Installation**Figure 2**

1. Remove mounting plate from unit by removing the fasteners shown in Figure 2.
2. Remove motor compartment cover by removing fasteners shown in Figure 2. Place cover on a flat surface in an area protected from strong winds.
3. Locate the mounting plate at the desired position and check to avoid unit clearance problems. Cut the appropriate size square opening in the wall. Refer to Specifications on page 3.
4. Install optional backdraft damper with directional arrow pointing up.

**Figure 3**

5. The top of the mounting plate is labeled, attach to the wall structure using appropriate fasteners (by others). The fasteners must pass through the holes provided in the mounting angle clips on the mounting plate. For uneven surfaces, shims may be required. See Figure 3.
6. Sealant or caulking should be applied in the groove formed by the mounting plate and the wall to prevent moisture leakage into the building.
7. Rotate the wheel by hand to ensure that it does not rub and rotates freely. Wheel position is preset and the unit is test run at the factory. Movement may occur during shipment and realignment may be necessary. Refer to Figures 4 and chart for proper overlap dimensions.
 - a. Centering can be accomplished by loosening the fasteners located in the motor compartment. Additional vertical alignment can be accomplished by loosening the four fasteners on the drive frame support angles, and the two fasteners that hold the L-brackets to the support angles on top. Horizontal alignment can be made by loosening the bearings from the bearing plate.
 - b. Wheel and inlet cone overlap can be adjusted by loosening the setscrews in the wheel and moving the wheel to the desired position. Tighten all fasteners and set screws securely.

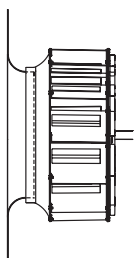


Figure 4

	20FT16, 5DVN0 5DVL5 -5DVL9,	5DVN1 - 5DVN5
Overlap (inches)	1/4	1/2

8. Re-attach ventilator to the mounting plate. The unit should be aligned with the breather tube pointing down. See Figure 5.
9. Guide the electrical chase through the hole in the motor compartment. The horizontal support channels should slide over the mounting angle clips on the mounting plate until the holes in the windband and clips are aligned. Replace fasteners removed in Step 1 and tighten. See Figure 5.

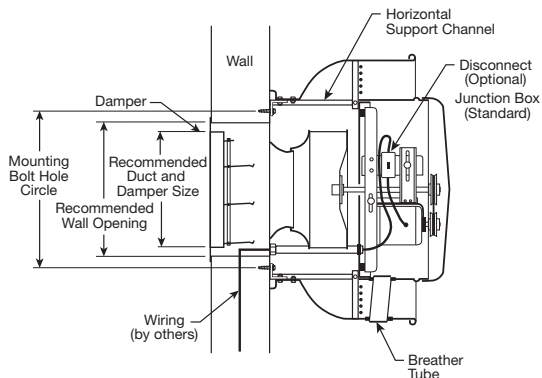


Figure 5

- The motor's amperage and voltage rating must be checked for compatibility to the supply voltage prior to final electrical connection. Mount and wire safety disconnect switch under ventilator cover and wire motor per connection wiring diagram. See Electrical Connection. Consult local code authorities for your specific requirements.

NOTE: For non-flammable applications, the electrical supply can be routed through the conduit chase between the mounting plate and the bottom of the motor compartment.

- Replace motor cover.

UL 762 Wall-Mount Installation

NOTE: UL/cUL 762 Installations are for Restaurant Applications.

- Install per NFPA 96 requirements for restaurant exhaust appliances.
- Install optional external junction box.

NOTE: For NFPA Restaurant Applications, the electrical supply must enter the motor compartment through the breather tube. Consult local code authorities for your specific requirements.

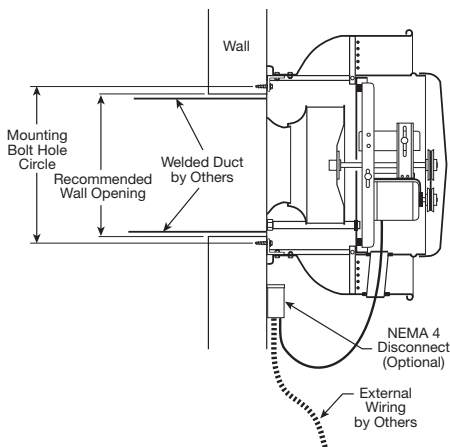


Figure 6

▲ WARNING

Do not use a damper in any kitchen exhaust application.

- Duct size must be equal to or larger than inlet opening. Some local codes require a continuous weld between duct and inlet.
- Keep motor cooling tube clear and free from obstruction.

Motor and Sheave Mounting

NOTE: For UL/cUL Listed units, the motor used with this ventilator must be designated as such by Dayton®. Refer to UL/cUL motor label attached to unit.

- Secure motor to plate (hardware by others). Holes will align when the motor frame (shaft end) is flush with the edge of the motor plate.
- Mount sheaves on shafts and secure with set screw. Check sheaves for proper alignment, see Figure 7. Misaligned sheaves lead to excessive belt wear, vibration and noise.

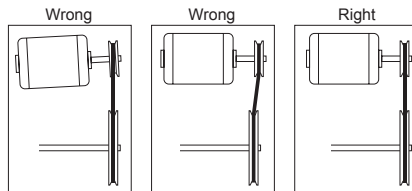


Figure 7

- Install the belt and adjust the tension.
 - Belt tension can be adjusted by loosening four fasteners on the drive frame support angles. The motor plate slides on the slotted adjusting arms and drive frame support angles.
 - Models 16FT16, 5DVL6, 5DVL7, 5DVL8, 5DVL9, 5DVN0: Belts should be tensioned just enough to prevent slippage at full load. Belts should have a slight bow on the slack side while running at full load. See Figure 8.
 - Models 5DVN1, 5DVN2, 5DVN3, 5DVN4, 5DVN5: Belt tension should be adjusted to allow 1/64 inch of deflection per inch of belt span when moderate thumb pressure is applied. See Figure 9.

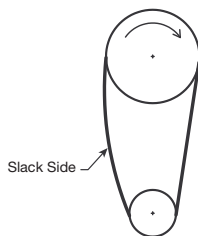


Figure 8

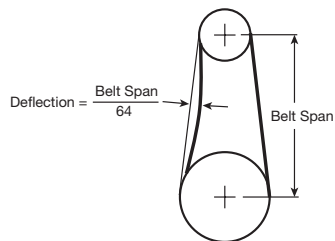


Figure 9

IMPORTANT: Too much tension will cause excess bearing wear and noise. Too little tension will cause slippage at startup and uneven wear.

- Adjust RPM to desired level using a variable pitch pulley. After adjustment, motor amperage should be checked to avoid overloading of the motor.

Electrical Connection

NOTE: Refer to motor nameplate for wiring procedures. Refer to switch manufacturer for installation and wiring procedures.

1. Motor and ventilator must be securely grounded (bare metal) to a suitable electric ground, such as a grounded water pipe or ground wire system.
2. Wire motor for desired voltage per wiring diagram on motor. Refer to

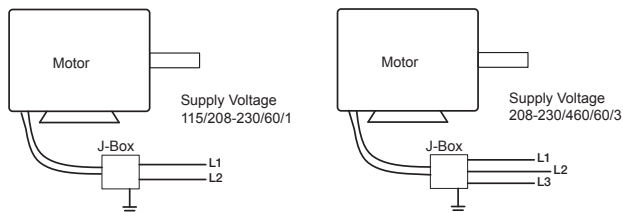


Figure 10 for connection wiring diagram.

Figure 10

OPERATION

1. Before starting up or operating the unit, check all fasteners for tightness. In particular, check set screws in wheel hub (and sheaves, if applicable). While in the OFF position, or before connecting the ventilator to power, turn the ventilator wheel by hand to be sure it is not striking the orifice or any obstacle.
2. Check wheel rotation (viewing from the shaft side) by momentarily energizing the unit. Rotation should be clockwise and correspond to the rotation decal on the unit.

IMPORTANT: Rotation of the wheel is critical and incorrect rotation will result in reduced air performance, increased motor loading and possible motor burnout.

4. When the ventilator is started, observe the operation and check for any unusual noises.
5. With the system in full operation and all ductwork attached, measure current input to the motor and compare with the nameplate rating to determine if the motor is operating under safe load conditions.
6. Adjust RPM to desired level using a variable pitch pulley. After adjustment, motor amperage should be checked to avoid overloading of the motor.

IMPORTANT: Adjust (tighten) belt tension after the first 24-48 hours of operation.

7. Keep inlets and approaches to ventilator clean and free from obstruction.

TROUBLESHOOTING GUIDE

Symptom	Possible Cause(s)	Corrective Action
Ventilator inoperative	<ol style="list-style-type: none"> 1. Blown fuse or breaker 2. Defective motor 3. Incorrectly wired 4. Broken belts 	<ol style="list-style-type: none"> 1. Replace or repair 2. Replace or repair 3. Shut power OFF and check wiring for proper connections 3. Replace
Excessive noise or vibration	<ol style="list-style-type: none"> 1. Belt(s) too loose/tight 2. Loose or defective bearings 3. Loose wheel or sheaves 4. Accumulation of material on wheel 5. Mis-aligned sheaves 6. Ventilator base not securely anchored 7. Motor hood loose and rattling 8. Ventilator wheel out of balance 	<ol style="list-style-type: none"> 1. Adjust tension 2. Replace bearings 3. Tighten set screws 4. Clean 5. Re-align 6. Secure properly 7. Tighten acorn nuts securing motor hood 8. Replace wheel
Insufficient airflow	<ol style="list-style-type: none"> 1. Blocked duct or clogged filters 2. Speed too slow 3. Damper closed 4. Belt slippage 5. Incorrect wheel rotation 6. Loose fitting duct sections permitting air loss 	<ol style="list-style-type: none"> 1. Clean or replace 2. Check for correct drives 3. Inspect/repair 4. Replace/adjust tension 5. Check motor wiring 6. Check for secure connection where duct sections are joined (suggest duct tape at seams for sealed closure)
Motor overloads or overheats	<ol style="list-style-type: none"> 1. Wheel RPM too high 2. Shorted motor winding 3. Incorrect wheel rotation 4. Over/Under line voltage 5. Belt slippage 	<ol style="list-style-type: none"> 1. Check drives 2. Replace motor 3. Check motor wiring 4. Contact Power Company 5. Tighten belt

MAINTENANCE

▲ WARNING

Disconnect and lockout power source before servicing.

▲ CAUTION

Uneven cleaning of the wheel will produce an out of balance condition that will cause vibration in the ventilator.

1. Depending on the usage and severity of the contaminated air, a regularly scheduled inspection for cleaning the ventilator wheel, housing and surrounding areas should be established.

NOTE: Follow NEC 70 for cleaning when ventilator is installed on restaurant exhaust appliances.

NOTE: Removal of the entire power pack (motor, drives and wheel) for maintenance or cleaning can be accomplished by removing the breather tube and fasteners. See Figure 11.

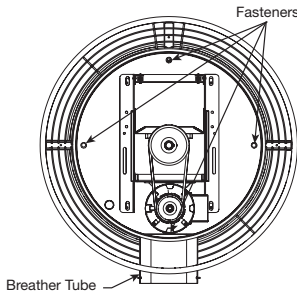


Figure 11

2. Check for unusual noises when ventilator is running.
3. Periodically inspect and tighten set-screws.
4. Periodically check belts for wear and tightness.

NOTE: When replacing belts use the same type as supplied with the unit.

NOTE: For belt replacement, loosen the motor mounting hardware to allow removal of the belt by hand.

▲ CAUTION

Do not force belts on or off. This may cause cords to break, leading to premature belt failure.

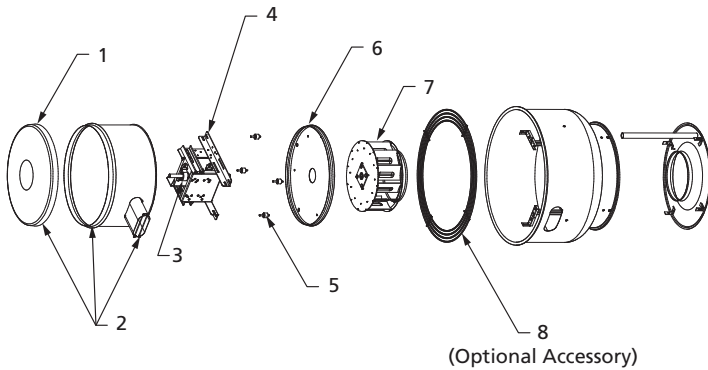
5. Follow motor manufacturer's instructions for motor lubrication.
6. For critical applications, a spare motor and belt(s) should be available.
7. Grease containers must be emptied at regular intervals to prevent overflow.
5. Keep bearings clean and well lubricated (where applicable).

NOTE: Sealed pillow block bearings require no further lubrication.

Recommended Re-lubrication Frequency in Months

Interval (Months)	Type of Service
1 to 3	Heavy duty in dirty, dusty locations; high ambient temperatures; moisture laden atmosphere; vibration.
3 to 6	12 to 24 hours per day, heavy duty, or if moisture is present
6 to 12	8 to 16 hours per day in clean, relatively dry atmosphere
12 to 18	Infrequent operation or light duty in clean atmosphere

- a. Do not over-grease. Use only one or two shots of lubricant with a hand gun. Maximum hand gun rating is 40 psi. Rotate bearings during lubrication where good safety practice permits. Caution should be employed to prevent over packing or contamination.
- b. For conditions including high temperatures, moisture, dirt or excessive vibration, more frequent lubrication is recommended.
- c. Lubricant should be a high quality lithium complex grease conforming to NLGI Grade 2. Factory recommends Mobilux EP-2.
- d. The use of synthetic lubricants will increase lubrication intervals by approximately 3 times.

REPAIR PARTS ILLUSTRATION FOR CENTRIFUGAL BELT-DRIVE UPBLAST EXHAUST VENTILATORS

**For Repair Parts, call 1-800-Grainger
24 hours a day – 365 days a year**

Please provide following information:

- Model number
- Serial number (if any)
- Part description and number as shown in parts list

REPAIR PARTS LIST FOR CENTRIFUGAL BELT-DRIVE UPBLAST EXHAUST VENTILATORS

Ref. No.	Description	Part Number for Models:				Quantity
		20FT16	5DVL6	5DVL7	5DVL8	
1	Cover	21DY73	21DY73	21DY73	21DY73	1
2	Hood Assembly	21DZ02	21DZ02	21DZ02	21DZ02	1
3	Bearing	21DW60	21DW60	21DW60	21DW60	2
4	Drive Frame Assembly	21DZ03	21DZ03	21DP33	21DZ03	1
5	Isolator Kit	21DY99	21DY99	21DY99	21DY99	1
6	Support Plate	21DY80	21DY80	21DY80	21DY80	1
7	Wheel	21DY92	21DY90	21DY82	21DZ41	1
8	Birdscreen	4YY78	4YY78	4YY78	4YY78	1

Ref. No.	Description	Part Number for Models:				Quantity
		5DVL9	5DVN0	5DVN1	5DVN2	
1	Cover	21DY74	21DY74	21DY75	21DY75	1
2	Hood Assembly	21DZ05	21DZ05	21DZ56	21DZ56	1
3	Bearing	21DW60	21DW60	35JF72	35JF72	2
4	Drive Frame Assembly	21DY98	21DY98	21DZ57	21DZ57	1
5	Isolator Kit	21DY99	21DY99	21DZ04	21DZ04	1
6	Support Plate	21DY81	21DY81	21DY79	21DY79	1
7	Wheel	21DW40	21DZ43	21DZ39	21DZ40	1
8	Birdscreen	4YY79	4YY79	4YY80	4YY80	1

Ref. No.	Description	Part Number for Models:			Quantity
		5DVN3	5DVN4	5DVN5	
1	Cover	21DY74	21DY75	21DY75	1
2	Hood Assembly	21DZ05	21DZ56	21DZ56	1
3	Bearing	21DT70	21DT70	21DT70	2
4	Drive Frame Assembly	21DY98	21DZ57	21DZ57	1
5	Isolator Kit	21DY99	21DZ04	21DZ04	1
6	Support Plate	21DY81	21DY79	21DY79	1
7	Wheel	21DZ43	21DZ39	21DZ40	1
8	Birdscreen	4YY79	4YY80	4YY80	1

DAYTON ONE-YEAR LIMITED WARRANTY

DAYTON ONE-YEAR LIMITED WARRANTY. All Dayton® product models covered in this manual are warranted by Dayton Electric Mfg. Co. ("Dayton") to the original user against defects in workmanship or materials under normal use for one year after date of purchase. If the Dayton product is part of a set, only the portion that is defective is subject to this warranty. Any product or part which is determined to be defective in material or workmanship and returned to an authorized service location, as Dayton or Dayton's designee designates, shipping costs prepaid, will be, as the exclusive remedy, repaired or replaced with a new or reconditioned product or part of equal utility or a full refund given, at Dayton's or Dayton's designee's option, at no charge. For limited warranty claim procedures, see "Warranty Service" below. This warranty is void if there is evidence of misuse, mis-repair, mis-installation, abuse or alteration. This warranty does not cover normal wear and tear of Dayton products or portions of them, or products or portions of them which are consumable in normal use. This limited warranty gives purchasers specific legal rights, and you may also have other rights which vary from jurisdiction to jurisdiction.

WARRANTY DISCLAIMERS AND LIMITATIONS OF LIABILITY RELATING TO ALL CUSTOMERS FOR ALL PRODUCTS

LIMITATION OF LIABILITY. TO THE EXTENT ALLOWABLE UNDER APPLICABLE LAW, DAYTON'S LIABILITY FOR CONSEQUENTIAL AND INCIDENTAL DAMAGES IS EXPRESSLY DISCLAIMED. DAYTON'S LIABILITY IN ALL EVENTS IS LIMITED TO AND SHALL NOT EXCEED THE PURCHASE PRICE PAID.

WARRANTY DISCLAIMER. A DILIGENT EFFORT HAS BEEN MADE TO PROVIDE PRODUCT INFORMATION AND ILLUSTRATE THE PRODUCTS IN THIS LITERATURE ACCURATELY; HOWEVER, SUCH INFORMATION AND ILLUSTRATIONS ARE FOR THE SOLE PURPOSE OF IDENTIFICATION, AND DO NOT EXPRESS OR IMPLY A WARRANTY THAT THE PRODUCTS ARE MERCHANTABILITY, OR FIT FOR A PARTICULAR PURPOSE, OR THAT THE PRODUCTS WILL NECESSARILY CONFORM TO THE ILLUSTRATIONS OR DESCRIPTIONS. EXCEPT AS PROVIDED BELOW, NO WARRANTY OR AFFIRMATION OF FACT, EXPRESSED OR IMPLIED, OTHER THAN AS STATED IN THE "LIMITED WARRANTY" ABOVE IS MADE OR AUTHORIZED BY DAYTON.

PRODUCT SUITABILITY. MANY JURISDICTIONS HAVE CODES AND REGULATIONS GOVERNING SALES, CONSTRUCTION, INSTALLATION, AND/OR USE OF PRODUCTS FOR CERTAIN PURPOSES, WHICH MAY VARY FROM THOSE IN NEIGHBORING AREAS. WHILE ATTEMPTS ARE MADE TO ASSURE THAT DAYTON PRODUCTS COMPLY WITH SUCH CODES, DAYTON CANNOT GUARANTEE COMPLIANCE, AND CANNOT BE RESPONSIBLE FOR HOW THE PRODUCT IS INSTALLED OR USED. BEFORE PURCHASE AND USE OF A PRODUCT, REVIEW THE SAFETY/SPECIFICATIONS, AND ALL APPLICABLE NATIONAL AND LOCAL CODES AND REGULATIONS, AND BE SURE THAT THE PRODUCT, INSTALLATION, AND USE WILL COMPLY WITH THEM.

CONSUMERS ONLY. CERTAIN ASPECTS OF DISCLAIMERS ARE NOT APPLICABLE TO CONSUMER PRODUCTS SOLD TO CONSUMERS; (A) SOME JURISDICTIONS DO NOT ALLOW THE EXCLUSION OR LIMITATION OF INCIDENTAL OR CONSEQUENTIAL DAMAGES, SO THE ABOVE LIMITATION OR EXCLUSION MAY NOT APPLY TO YOU; (B) ALSO, SOME JURISDICTIONS DO NOT ALLOW A LIMITATION ON HOW LONG AN IMPLIED WARRANTY LASTS, SO THE ABOVE LIMITATION MAY NOT APPLY TO YOU; AND (C) BY LAW, DURING THE PERIOD OF THIS LIMITED WARRANTY, ANY IMPLIED WARRANTIES OF MERCHANTABILITY OR FITNESS FOR A PARTICULAR PURPOSE APPLICABLE TO CONSUMER PRODUCTS PURCHASED BY CONSUMERS, MAY NOT BE EXCLUDED OR OTHERWISE DISCLAIMED.

THIS LIMITED WARRANTY ONLY APPLIES TO UNITED STATES PURCHASERS FOR DELIVERY IN THE UNITED STATES.

WARRANTY SERVICE

To obtain warranty service if you purchased the covered product directly from W.W. Grainger, Inc. ("Grainger"), (i) write or call or visit the local Grainger branch from which the product was purchased or another Grainger branch near you (see www.grainger.com for a listing of Grainger branches); or (ii) contact Grainger by going to www.grainger.com and clicking on the "Contact Us" link at the top of the page, then clicking on the "Email us" link; or (iii) call Customer Care (toll free) at 1-888-361-8649. To obtain warranty service if you purchased the covered product from another distributor or retailer, (i) go to www.grainger.com for Warranty Service; (ii) write or call or visit a Grainger branch near you; or (iii) call Customer Care (toll free) at 1-888-361-8649. In any case, you will need to provide, to the extent available, the purchase date, the original invoice number, the stock number, a description of the defect, and anything else specified in this Dayton One-Year Limited Warranty. You may be required to send the product in for inspection at your cost. You can follow up on the progress of inspections and corrections in the same ways. Title and risk of loss pass to buyer on delivery to common carrier, so if product was damaged in transit to you, file claim with carrier, not retailer, Grainger or Dayton. For warranty information for purchasers and/or delivery outside the United States, please use the following applicable contact information:

**Dayton Electric Mfg. Co.,
100 Grainger Parkway, Lake Forest, IL 60045 U.S.A.
or call +1-888-361-8649**