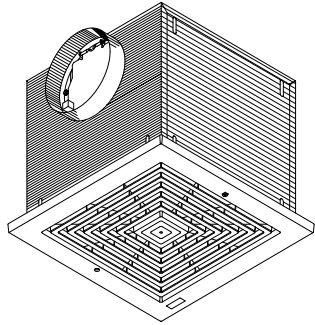
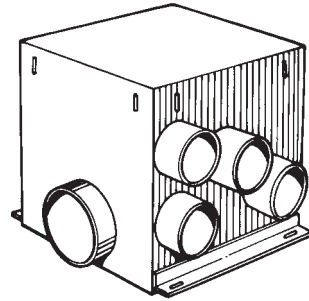


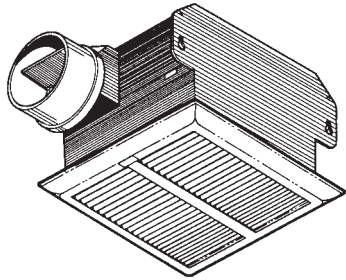
BROAN® NuTone® AMCA Licensed Products



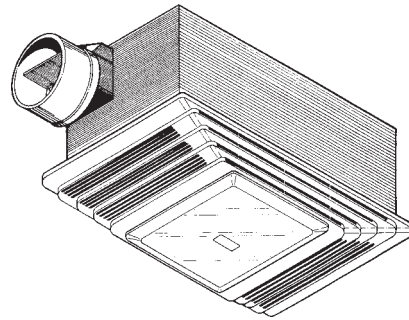
LoSone Select® Ventilators



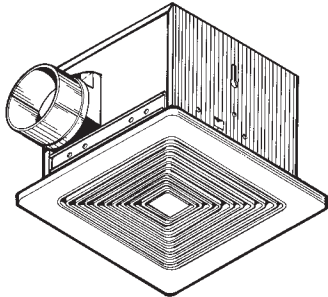
Remote In-Line Ventilators



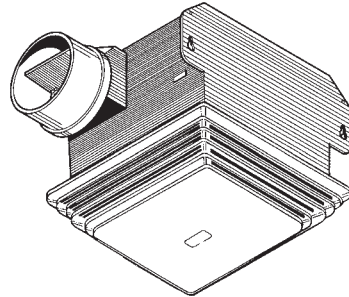
HD-Series Fans & Fan/Lights



Fan/Light Combination Units



Solitaire® & SensAire® Fans & Fan/Lights



Other AMCA Licensed Products



AMCA Licensed Products Table of Contents

Products Licensed for Sound and Air Performance

Model	Page
L100	3
L150	3
L100EX	3
L150EX	3
L100C	3
L150C	3
L100MG	3
L150MG	3
L200	3
L250	3
L300	3
L300NT	3
L200EX	3
L250EX	3
L300EX	3
L200C	3
L250C	3
L300C	3
L200MG	3
L250MG	3
L300KMG	3
L400	4
L500	4
L700	4
L400EX	4
L500EX	4
L700EX	4
L400C	4
L500C	4
L700C	4
L400K	4
L500K	4
L900	4
L1500	4
L900EX	4
L1500EX	4
L900C	4
L1500C	4
L100L	5
L150L	5
L200L	5
L250L	5
L300L	5
L400L, L400KL	5
L500L, L500KL	5
L700L	5
L900L	5
L1500L	5

Products Licensed for Sound and Air Performance

Model	Page
L2000L	6
L3500EXL	6
HD80L	11
696	12
670	12
AE80B	13
ZB80	14
ZB110	14
ZB80L	15
ZB110L	15
ZN80	16
ZN110	16
ZN80L	17
ZN110L	17

Products Licensed for Air Performance

Model	Page
MP100	10
MP140	10
MP200	10
MP280	10
SP100	10
SP140	10
SP200	10

Accessory Products Not AMCA Licensed

Model	Page
961L	9
981L	9
982L	9
983L	9
RD1	9
RD2	9
RD3	9
LAF1	9
LAF2	9
MG1	9
BV8	9
BV12	9
BV15	9
DH100W	10
T24H	10

LoSone Select[®] Ventilators

The industry's best value
in super-quiet specification
grade ventilators.

Broan LoSone Select[®] ventilators have been designed to give quality conscious architects, design engineers, builders and specifiers the ultimate in heavy duty, quiet ventilation.

Available from 100 to 3500 CFM, all units use centrifugal blower wheels and low RPM motors on resilient mounts. Most have acoustic insulation inside a rugged, heavy duty housing for further sound reduction.

Perfect for offices, conference rooms, bathroom, hospital rooms... anywhere quiet, high-capacity ventilation is needed.

Their features include:

- Low RPM motors mounted on resilient mounts for quiet, vibration-free operation
- Motors designed for continuous operation—permanently lubricated
- Acoustic insulation inside rugged, heavy gauge galvanized steel housings (except Models L300KMG, L400K, L500K – and in-line units)
- May be installed in ceiling or wall (size permitting)
- Balanced blower wheels for extremely low sound levels
- Attractive, low profile grilles
- May be ducted horizontally, vertically or as an in-line blower
- Quiet, built-in backdraft dampers

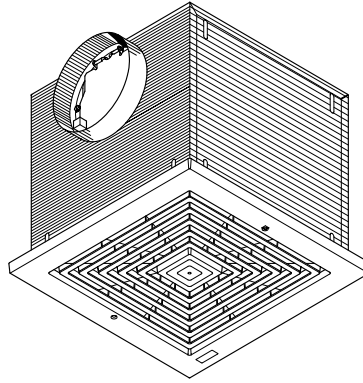


"Broan-NuTone LLC certifies that the models shown on page 9 are licensed to bear the AMCA Seal. The ratings shown are based on tests and procedures performed in accordance with AMCA Publication 211 and comply with the requirements of the AMCA Certified Ratings Program"



"Broan-NuTone LLC certifies that the models shown on pages 2 - 7 (inclusive) and 10 - 15 (inclusive) are licensed to bear the AMCA Seal. The ratings shown are based on tests and procedures performed in accordance with AMCA Publication 211 (and AMCA Publication 311 if sound is also certified) and comply with the requirements of the AMCA Certified Ratings Program"

100 – 150 CFM Ceiling Mount Ventilators



Models L100 , L150

- 120 VAC
- 6" round duct connector
- Low profile white polymeric grille
- Single, impact resistant centrifugal blower wheel

Models L100EX, L150EX

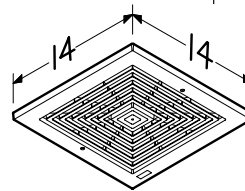
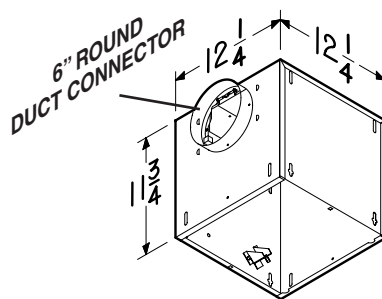
- 240 VAC
- Other features same as L100

Models L100C, L150C

- 277 VAC
- Other features same as L100

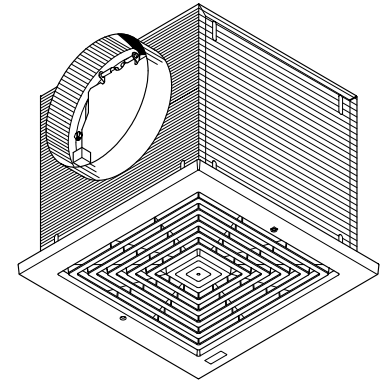
Models L100MG, L150MG

- Sturdy, low profile metal grille finished with painted white enamel
- Other features same as L100



Polymeric Grille

200 – 250 – 300 CFM Ceiling Mount Ventilators



Models L200, L250, L300, L300NT

- 120 VAC
- 8" round duct connector
- Low profile white polymeric grille
- Single, impact resistant centrifugal blower wheel

Models L200EX, L250EX, L300EX

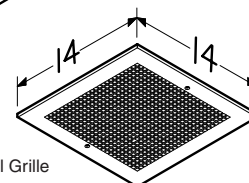
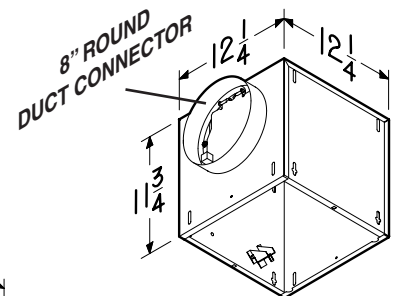
- 240 VAC
- Other features same as L200

Models L200C, L250C, L300C

- 277 VAC
- Other features same as L200

Models L200MG, L250MG, L300KMG

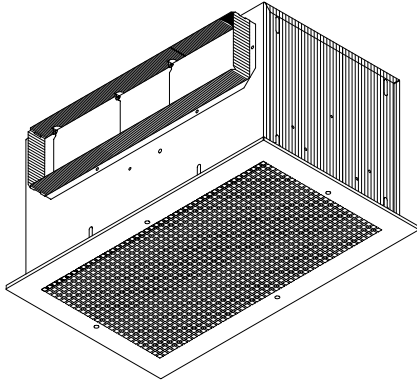
- Sturdy, low profile metal grille finished with painted white enamel
- Model L300KMG does not contain insulation and has metal blower wheel – may be mounted in kitchens and above cooking surfaces
- Other features same as L200



Metal Grille

See pages 7-8 for full performance information.

400 – 500 – 700 CFM
Ceiling Mount Ventilators



Models L400, L500, L700

- 120 VAC
- 4½ x 18½" duct connector
- Sturdy, low profile metal grille finished with painted white enamel
- Two impact resistant centrifugal blower wheels

Models L400EX, L500EX, L700EX

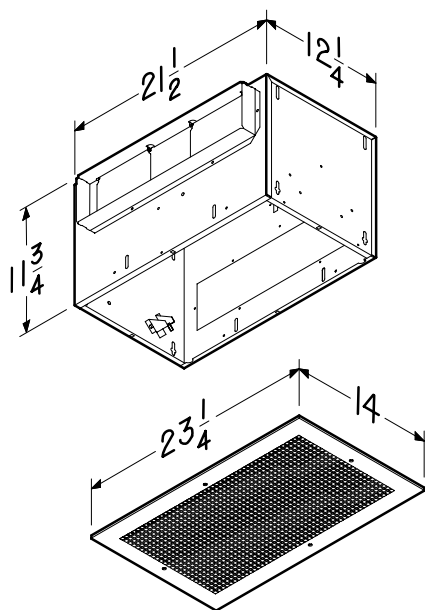
- 240 VAC
- Other features same as L400

Models L400C, L500C, L700C

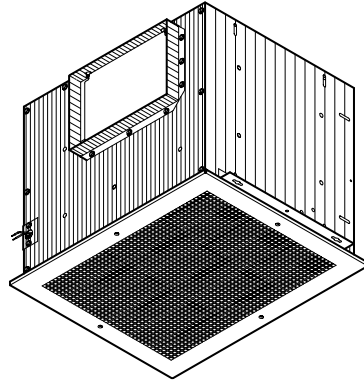
- 277 VAC
- Other features same as L400

Models L400K, L500K

- No insulation inside housing – may be mounted in kitchens and above cooking surfaces
- Two metal centrifugal blower wheels
- Other features same as L400



900 – 1500 CFM
Ceiling Mount Ventilators



Models L900, L1500

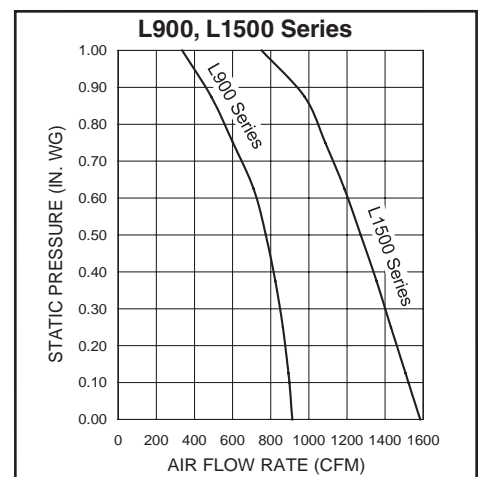
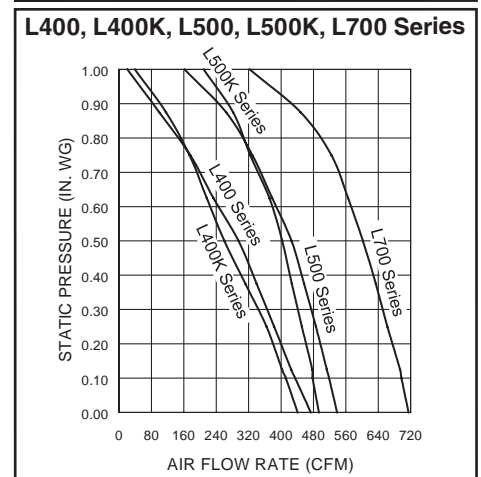
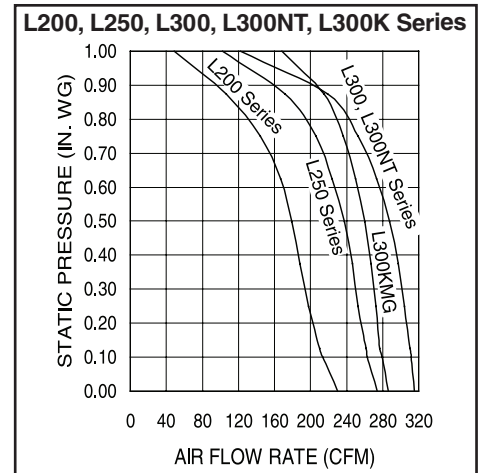
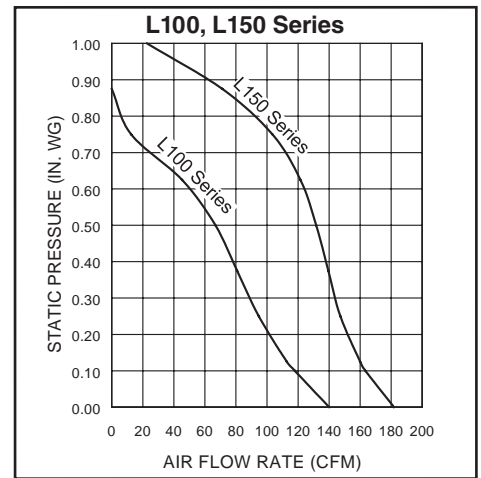
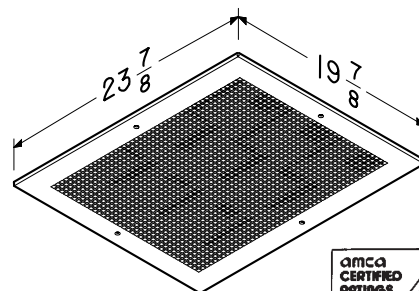
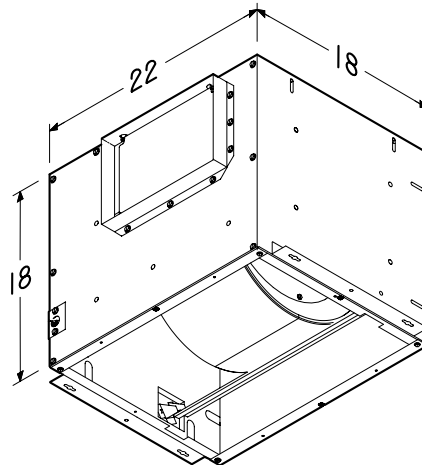
- 120 VAC
- 8" x 12" duct connector
- Sturdy, low profile metal grille finished with painted white enamel

Models L900EX, L1500EX

- 240 VAC
- Other features same as L400

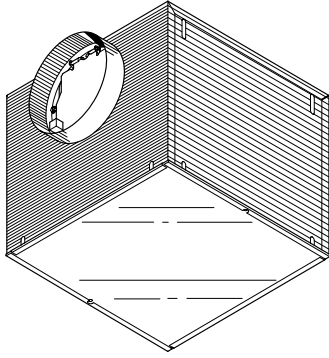
Models L900C, L1500C

- 277 VAC
- Other features same as L900



See pages 7-8 for full performance information.

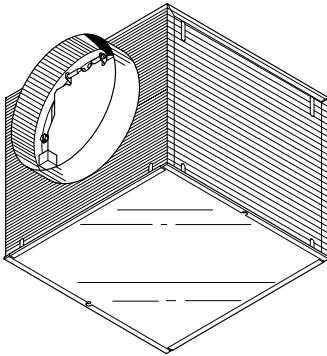
100 – 150 CFM
In-Line Ventilators



Models L100L, L150L

- 120 VAC
- Two 6" round duct connectors
- Removable access panel
- Single impact resistant centrifugal blower wheel
- Suitable for kitchen installation – no insulation inside housing

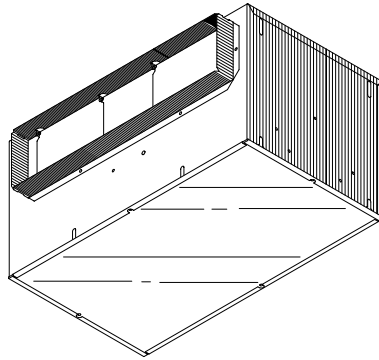
200 – 250 – 300 CFM
In-Line Ventilators



Models L200L, L250L, L300L

- 120 VAC
- Two 8" round duct connectors
- Removable access panel
- Single impact resistant centrifugal blower wheel
- Suitable for kitchen installation – no insulation inside housing

400 – 500 – 700 CFM
In-Line Ventilators



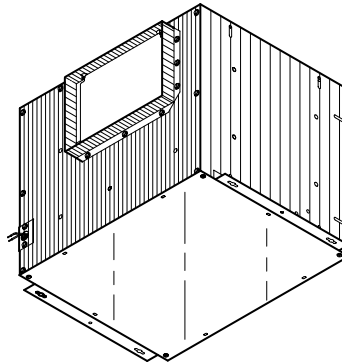
Models L400L, L500L, L700L

- 120 VAC
- Two 4½ x 18½" duct connectors
- Removable access panel
- Two impact resistant centrifugal blower wheels

Models L400KL, L500KL

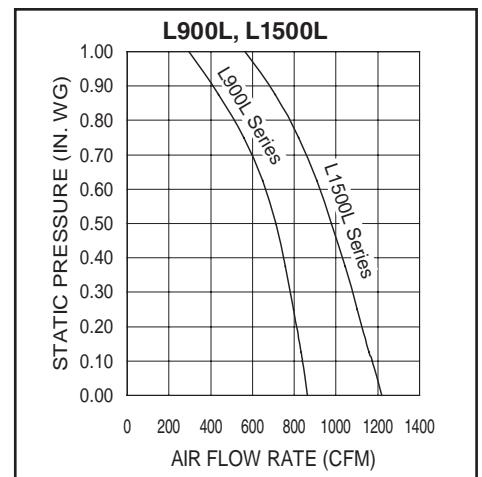
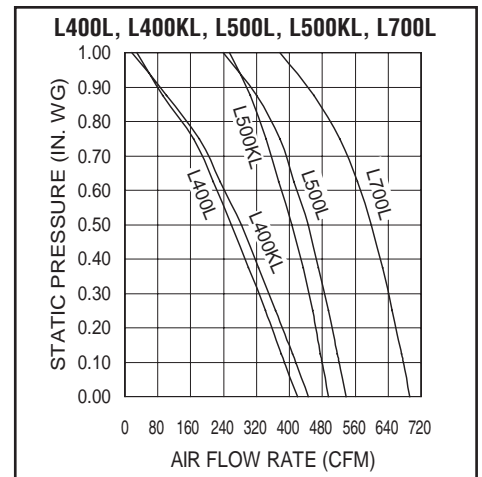
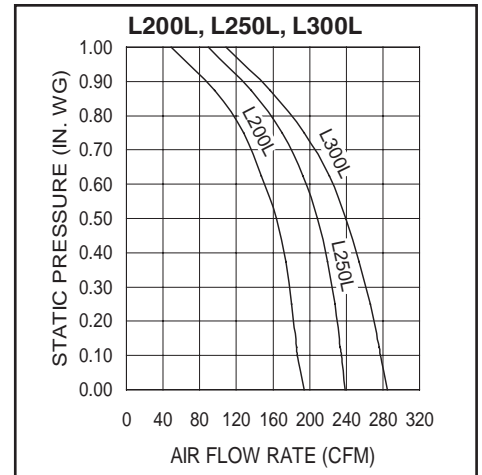
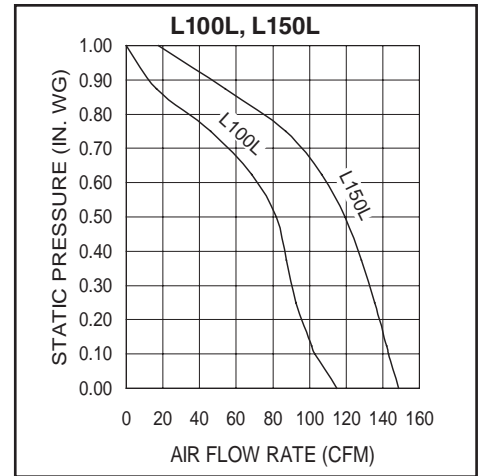
- Suitable for kitchen installation
- Two metal centrifugal blower wheels
- Other features same as L400L

900 – 1500 CFM
In-Line Ventilators



Models L900L, L1500L

- 120 VAC
- Two 8" x 12" duct connectors
- Removable access panel
- Single impact resistant centrifugal blower wheel



See pages 7-8 for full performance information.

LoSone Select[®] Cabinet Ventilators

Quiet, high capacity

LoSone Select[®] Cabinet Ventilators are perfect for large meeting rooms or institutional applications requiring up to 3500 CFM.

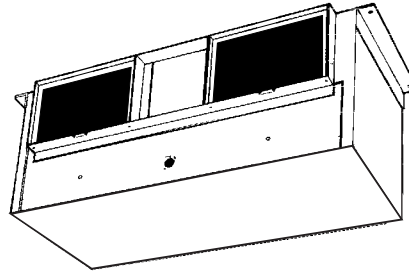
Like all Broan LoSone Select[®] units, our cabinet models are quiet-running, heavy-duty, specification-grade ventilators. Permanently lubricated ball bearing motors are designed for continuous operation. Resilient motor mounts and acoustic insulation lining our 20-gauge galvanized steel housing make them exceptionally quiet large air movers.

Broan LoSone Select[®] Cabinet Ventilators may be installed as either "straight thru" or "right angle" ventilators. Unique mounting brackets allow them to be installed quickly and easily in any of eight different positions.

Available Accessories:

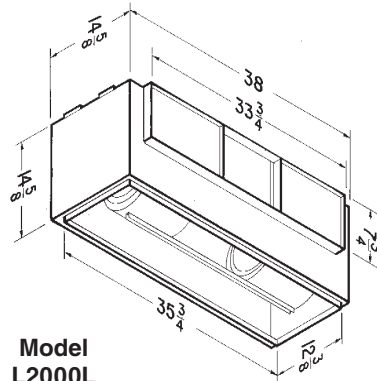
- Metal Grille Kits for ceiling applications
- Damper Kits with twin damper flaps prevent backdrafts
- Model V104 Vibration Damper Hangers (set of four required)

2000 CFM Cabinet Ventilator

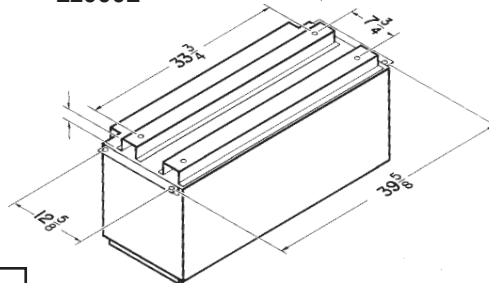


Model L2000L

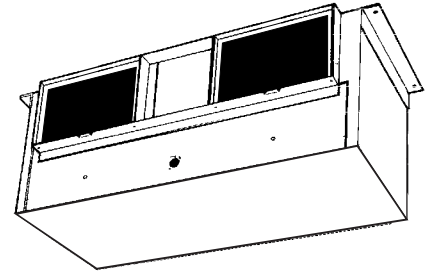
- 120 VAC
- Fits 7³/₄" x 33³/₄" duct
- Twin double-inlet blower wheels; 8" dia. x 7-7/8" deep
- Use Model G102 Metal Grille Kit for ceiling applications
- Use Model D100 Damper Kit for applications where unit will be ducted to outside—twin damper flaps prevent backdrafts



**Model
L2000L**

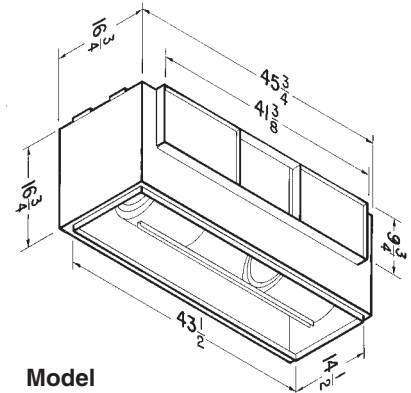


3500 CFM Cabinet Ventilator

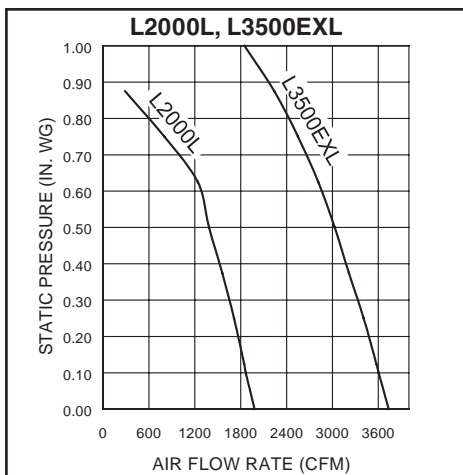
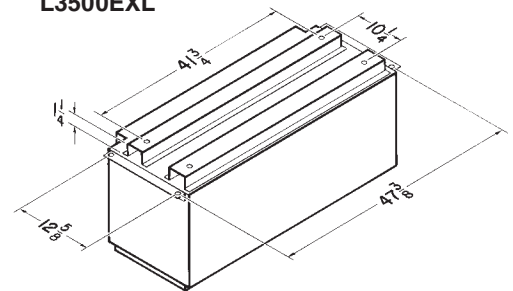


Model L3500EXL

- 240 VAC
- Fits 9³/₄" x 41-3/8" duct
- Twin double-inlet blower wheels; 9" dia. x 8-3/4" deep
- Use Model G103 Metal Grille Kit for ceiling applications
- Use Model D101 Damper Kit for applications where unit will be ducted to outside—twin damper flaps prevent backdrafts



**Model
L3500EXL**



See pages 7-8 for full performance information.



LoSone Select® In-Line Ventilators – AMCA Licensed Performance

CFM / SONES - AT STATIC PRESSURES (Ps - inches of H ₂ O)																
MODEL NO.	NOMINAL VOLTAGE	MAX AMPS @ 60 Hz	WATTS		0.0" Ps	.10" Ps	.125" Ps	.250" Ps	.375" Ps	.50" Ps	.625" Ps	.750" Ps	.875" Ps	1.0" Ps	RPM @ .125"	
L100L*	120 VAC	1.0	88	CFM St.Thr.	121	108	106	97	93	86	70	44	17		760	
				SONES St.Thr.	0.5	0.7	0.7	1.1	1.4	1.8	2.1	2.4	2.6			
				CFM Rt. Ang.	109	98	96	88	82	78	67	48	16			
				SONES Rt. Ang.	0.5	0.8	0.8	1.2	1.6	2.0	2.3	2.5	2.8		785	
L150L*	120 VAC	1.2	96	CFM St.Thr.	153	148	147	140	134	125	111	91	54	18	920	
				SONES St.Thr.	0.9	1.0	1.1	1.4	1.6	1.9	2.1	2.2	2.4	2.6		
				CFM Rt. Ang.	144	138	137	131	123	114	102	83	54	17		
				SONES Rt. Ang.	1.2	1.4	1.4	1.6	1.9	2.1	2.4	2.5	2.7	2.9	955	
L200L*	120 VAC	1.6	124	CFM St.Thr.	205	196	195	190	185	175	158	135	96	47	870	
				SONES St.Thr.	1.7	1.9	1.9	2.1	2.3	2.4	3.0	3.3	3.4	3.4		
				CFM Rt. Ang.	183	177	176	170	163	152	137	121	96	51		
				SONES Rt. Ang.	1.6	1.6	1.6	1.9	2.3	2.7	2.9	3.1	3.4	3.6	935	
L250L*	120 VAC	2.0	160	CFM St.Thr.	248	245	245	241	235	224	208	183	141	84	1010	
				SONES St.Thr.	2.0	2.0	2.3	2.6	2.8	3.2	3.4	3.6	3.9	3.8		
				CFM Rt. Ang.	229	224	222	214	204	193	177	157	132	95		
				SONES Rt. Ang.	2.4	2.5	2.6	2.8	3.0	3.2	3.4	3.7	3.8	3.8	1115	
L300L*	120 VAC	2.6	2.04	CFM St.Thr.	300	294	293	285	274	259	243	214	168	113	1090	
				SONES St.Thr.	2.9	3.0	3.1	3.3	3.4	3.5	3.6	3.7	4.0	3.9		
				CFM Rt. Ang.	270	261	259	248	234	220	200	174	146	104		
				SONES Rt. Ang.	3.7	3.7	3.7	3.7	3.9	3.9	4.0	4.2	4.4	4.0	1285	
L400L	120 VAC	1.3	137	CFM St.Thr.	450	415	406	360	313	271	223	167	90	6	780	
				SONES St.Thr.	1.4	1.6	1.6	1.9	2.2	2.6	2.9	3.4	3.6	3.9		
				CFM Rt. Ang.	442	415	408	372	336	296	239	193	111	28		
				SONES Rt. Ang.	1.6	1.7	1.7	2.0	2.4	2.6	3.1	3.4	3.9	4.1	875	
L400KL*	120 VAC	1.3	137	CFM St.Thr.	420	385	375	330	284	243	202	153	78	12	715	
				SONES St.Thr.	3.0	2.7	3.1	3.6	4.0	4.0	4.6	5.0	5.2	5.4		
				CFM Rt. Ang.	420	391	385	352	316	276	226	181	105	46		
				SONES Rt. Ang.	2.1	2.4	2.5	1.9	2.2	2.8	3.0	3.3	3.7	4.2	805	
L500L	120 VAC	2.0	207	CFM St.Thr.	546	526	519	496	472	447	407	364	306	232	890	
				SONES St.Thr.	2.4	2.4	3.4	3.7	3.9	3.8	3.9	4.0	4.3	4.3		
				CFM Rt. Ang.	528	516	513	494	470	446	415	389	334	247		
				SONES Rt. Ang.	2.9	3.8	3.4	3.7	3.5	3.6	3.9	4.0	4.2	4.4	980	
L500KL*	120 VAC	2.0	207	CFM St.Thr.	495	476	472	450	426	395	360	326	294	247	805	
				SONES St.Thr.	3.2	3.7	3.8	4.2	3.9	4.2	4.7	5.0	5.4	5.5		
				CFM Rt. Ang.	494	482	477	462	442	417	387	359	317	263		
				SONES Rt. Ang.	3.5	4.1	4.4	4.3	4.7	5.1	5.1	5.2	5.3	6.0	905	
L700L	120 VAC	2.7	298	CFM St.Thr.	704	686	681	656	631	604	575	533	480	412	1090	
				SONES St.Thr.	3.6	3.8	3.7	3.9	4.0	4.2	4.3	4.4	4.7	5.0		
				CFM Rt. Ang.	680	667	663	644	621	594	557	513	440	342		
				SONES Rt. Ang.	5.0	5.0	5.0	5.3	5.2	5.1	5.3	5.5	5.4	5.5	1210	
L900L	120 VAC	2.5	261	CFM St.Thr.	930	902	894	853	807	754	685	587	442	300	810	
				SONES St.Thr.	3.7	3.8	3.8	3.8	3.7	3.8	3.9	4.0	4.0	4.1		
				CFM Rt. Ang.	795	778	772	743	709	668	613	527	432	291		
				SONES Rt. Ang.	4.3	4.5	4.4	4.6	4.4	4.2	4.1	4.3	4.2	4.3	755	
L1500L	120 VAC	5.9	436	CFM St.Thr.	1275	1228	1214	1152	1092	1029	958	871	764	631	1060	
				SONES St.Thr.	6.8	6.8	6.7	6.5	6.3	6.0	6.0	6.0	6.0	6.1		
				CFM Rt. Ang.	1160	1117	1106	1051	998	928	856	769	657	499		
				SONES Rt. Ang.	7.9	7.8	7.9	7.4	7.1	6.8	6.3	5.9	5.4	5.4	1025	

Performance ratings include the effects of backdraft damper. Speed (RPM) shown is nominal. Performance is based on actual speed of test. The sound ratings shown are loudness values in fan sones at 5' (1.5m) in a hemispherical free field calculated per AMCA Std. 301. Values shown are for Installation Type D: Ducted inlet, Ducted outlet. Ratings do not include the effect of duct end correction. Performance ratings include the effects of 18 feet of round inlet duct and, if needed, a rectangular to round duct transition. Performance certified is for Installation Type D: Ducted inlet, Ducted outlet.

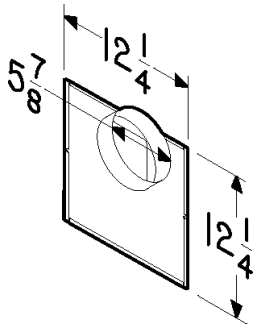
LoSone Select® Cabinet Ventilators – AMCA Licensed Performance

CFM / SONES - AT STATIC PRESSURES (Ps - inches of H ₂ O)																
MODEL NO.	NOMINAL VOLTAGE	MAX AMPS @ 60 hz	WATTS		0.0" Ps	.10" Ps	.125" Ps	.250" Ps	.375" Ps	.50" Ps	.625" Ps	.750" Ps	.875" Ps	1.0" Ps	RPM @ .125"	
L2000L	120 VAC	5.8	590	CFM St.Thr.	1891	1803	1791	1657	1508	1347	1165	808	284		965	
				SONES St.Thr.	10.3	9.8	9.4	9.0	8.6	9.1	8.9	7.0	6.7			
				CFM Rt. Ang.	2070	1931	1898	1769	1609	1424	1314	795	288			
				SONES Rt. Ang.	11.1	10.3	10.1	9.7	9.4	9.2	8.5	7.0	6.7		1020	
L3500EXL	240 VAC	5.4	1204	CFM St.Thr.	3605	3498	3452	3278	3073	2893	2679	2429	2093	1693	1105	
				SONES St.Thr.	15.3	14.8	14.5	14.1	13.1	12.8	12.1	11.8	11.9	10.8		
				CFM Rt. Ang.	3868	3714	3696	3537	3356	3168	2951	2671	2384	2005		
				SONES Rt. Ang.	14.6	14.2	14.2	13.3	12.8	12.5	11.6	11.4	11.4	13.4	1110	

Performance ratings do not include the effects of appurtenances. Speed (RPM) shown is nominal. Performance is based on actual speed of test. The sound ratings shown are loudness values in fan sones at 5' (1.5m) in a hemispherical free field calculated per AMCA Std. 301. Values shown are for Installation Type D: Ducted inlet, Ducted outlet. Ratings do not include the effect of duct end correction. Performance certified is for Installation Type D: Ducted inlet, Ducted outlet.

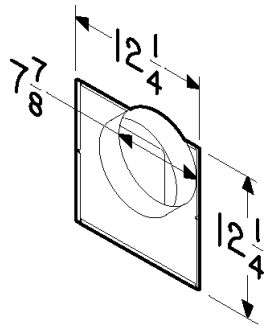


Broan LoSone Select®
Accessories for Ceiling Mount
and In-Line Ventilators



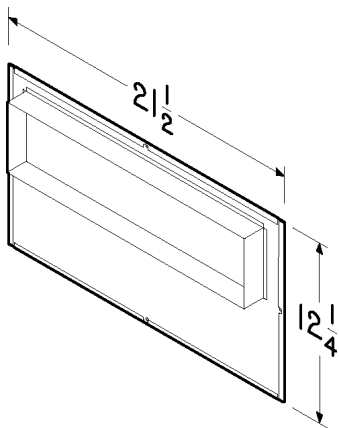
Model 961L In-Line Adapter Kit

- Galvanized steel
- Fits L100, L150 Series 6" round duct intake
- Mounting hardware included



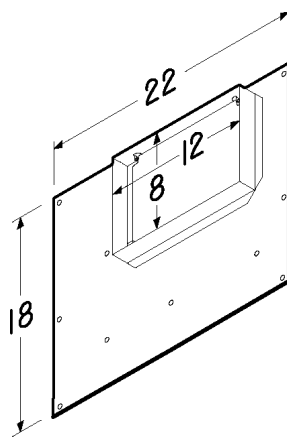
Model 981L In-Line Adapter Kit

- Galvanized steel
- Fits L200, L250, L300 Series 8" round duct intake
- Mounting hardware included



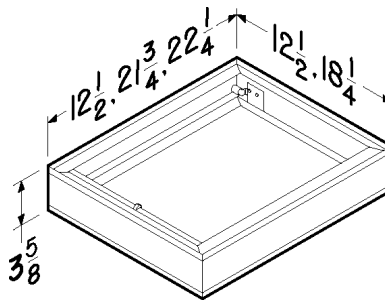
Model 982L In-Line Adapter Kit

- Galvanized steel
- Fits L400, L500, L700 Series 4 1/2" x 18 1/2" duct intake
- Mounting hardware included



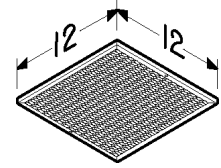
Model 983L In-Line Adapter Kit

- Galvanized steel
- Fits L900, L1500 Series 8" x 12" duct intake
- Mounting hardware included



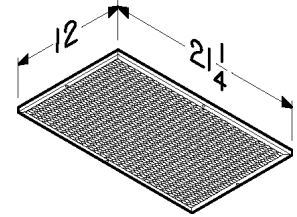
Model RD1, RD2, RD3
Radiation Dampers

- UL Listed – classified for use in 1, 2, or 3 hour fire-rated ceilings
- Galvanized steel frame
- High temperature, non-asbestos, reinforced fiber thermal fabric
- 212°F fusible link
- Stainless steel negator-type closure spring
- RD1 (12 1/2" x 12 1/2") fits L100, L150, L200, L250, L300 Series
- RD2 (21 3/4" x 12 1/2") fits L400, L500, L700 Series
- RD3 (22 1/4" x 18 1/4") fits L900, L1500 Series



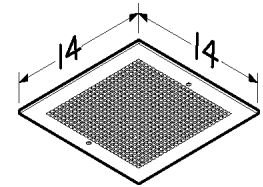
Model LAF1 Grease Filter

- Dishwasher safe, aluminum mesh filter traps grease and protects motor
- Fits L300KMG



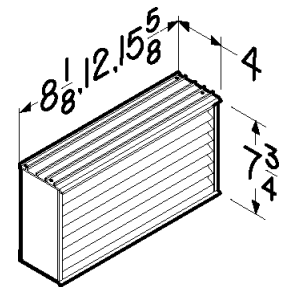
Model LAF2 Grease Filter

- Dishwasher safe, aluminum mesh filter traps grease and protects motor
- Fits L400K, L500K



Model MG1 Metal Grille Kit

- Steel, painted white enamel
- Mounting screws included
- Fits L100, L150, L200, L250, L300 Series



Model BV8, BV12, BV15 Brick Vents

- Designed for installation in masonry walls
- Anodized aluminum construction
- Built-in mesh insect screen
- BV8 measures 7 3/4" x 8-1/8" x 4"
- BV12 measures 7 3/4" x 12" x 4"
- BV16 measures 7 3/4" x 15-5/8" x 4"

Remote In-Line Ventilators

**Super-quiet,
high-capacity ventilation.**

Our remote in-line units are some of the quietest, most efficient ventilation systems available. It's a pretty simple concept. Mount a high-performance ventilator in an out-of-the-way spot and you get the power, with virtually no sound.

Suitable for intermittent or continuous ventilation applications.

Intermittent: Provides concentrated ventilation, as required, for problem rooms like the bath or laundry.

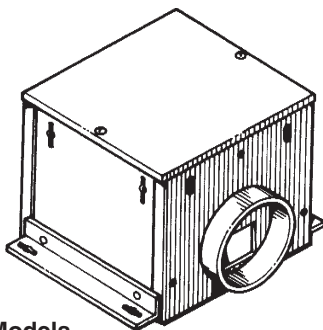
Continuous: Helps circulate air throughout home

- Install the housing in the attic, basement, or wherever is most convenient
- Energy-efficient, permanently lubricated motors with high pressure centrifugal blowers easily accommodate long duct runs
- Designed for quick, easy installation
- Removable panels offer easy access to the motor without disturbing ductwork



Also available Room Inlets and Controls

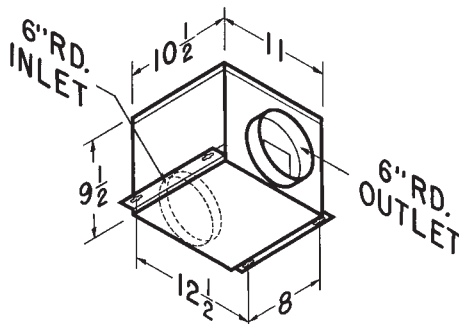
Room inlets from Broan for ceiling or wall installation. Choice of models lets you accommodate 6" (DF6) or 4" (DF4) round duct. These white polymeric inlets can be painted to match room decor.



**Models
SP100, SP140,
SP200**

Single-Port Ventilators

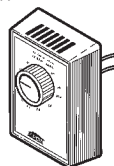
- Superior pressure capability provided by high pressure centrifugal blowers accommodates long duct runs
- 6" round outlet and inlet for easy duct connections



**Models
SP100, SP140, SP200**

Model DH100W Dehumidistat

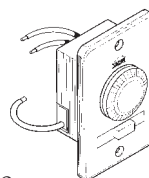
- Dual Voltage (24V/120V)
- Variable setting from 20-80% relative humidity



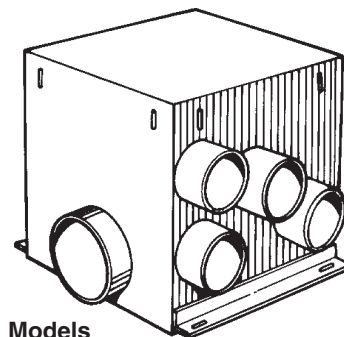
DH100W

Model T24H 24-Hour Programmable Timer

- 120V, 8 amps
- Sets up to 36 on/off cycles as short as 20 minutes
- Manual on/off override switch
- Fits single-gang box



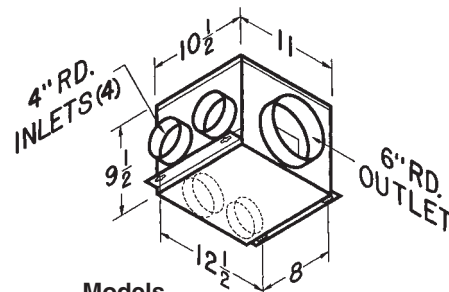
T24H



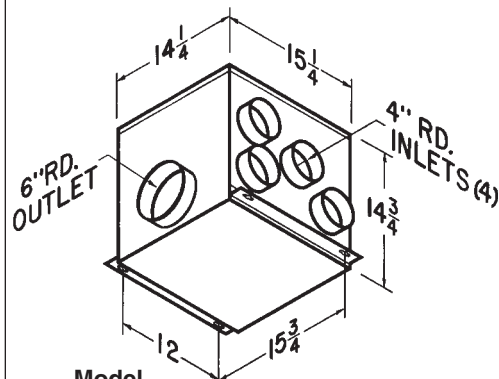
**Models
MP100, MP140,
MP200, MP280**

Multi-Port Ventilators

- Easily handles extended duct runs from a number of different inlets
- Can be installed in virtually any orientation
- High pressure blowers designed to operate at high static pressure
- 6" round outlet; 4" round inlets
- Use 2, 3, or all 4 inlet ports for optimal installation and application flexibility
- Two inlet duct covers included



**Models
MP100, MP140, MP200**



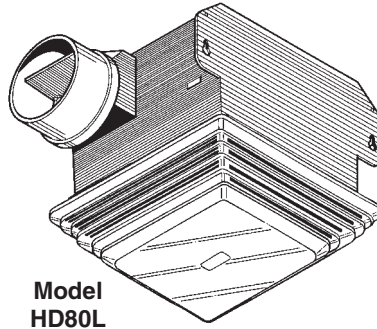
**Model
MP280**

Model NO.	CFM @ Static Pressure (Ps - Inches of H ₂ O)						Volts	Watts	Nominal RPM	Duct Size
	0.0	0.2	0.25	0.4	0.6	0.8				
MP100	120	110	107	97	81	-	120	53	2750	6" Round / 4" Round
MP140	164	150	145	133	115	103	120	92	2950	6" Round / 4" Round
MP200	224	210	208	200	189	174	120	143	2950	6" Round / 4" Round
MP280	304	290	284	265	230	190	120	215	1650	6" Round / 4" Round
SP100	120	110	107	97	81	-	120	52	2950	6" Round
SP140	164	150	145	133	115	103	120	86	2900	6" Round
SP200	224	210	207	195	181	170	120	138	3000	6" Round

Performance certified is for installation type D - Ducted inlet, ducted outlet. Performance ratings do not include the effects of appurtenances. Speed (RPM) shown is nominal. Performance is based on actual speed of test.

HD-Series Fan/Light

Designed for continuous operation. Last up to three times longer than ordinary residential fan/lights.



**Model
HD80L**

Broan offers a heavy-duty solution for continuous ventilation requirements in light commercial and public restroom applications. Specially designed for continuous low maintenance operation. Features a totally enclosed, low RPM motor with permanently sealed bearings. Impact resistant centrifugal blower wheel provides quiet, powerful performance. Follow-up costs associated with service or replacement calls are virtually eliminated.

Other *HD80L* features include:

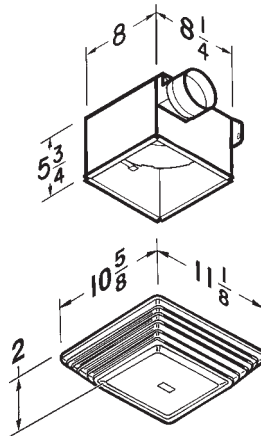
- Built-in housing mounting brackets for fast installation.
- UL listed for use over bathtubs and showers when connected to GFCI protected branch circuit.
- 100 watt light capacity (bulb not included)

A long-term solution for light commercial applications.

The *HD80L Fan/Light* features a 4" duct connector and a high capacity centrifugal blower wheel, so it can be used in applications requiring extended duct runs. A broad certified performance spectrum from AMCA means the *HD80L* is ideally suited for a host of applications.

Model HD80L Fan/Light

- 97 CFM, 4.0 Sones
- Totally enclosed low RPM motor with permanently sealed bearings
- Impact resistant centrifugal blower wheel
- Metal grille, torsion spring mounted
- Pre-wired outlet box for plug-in motor plate
- Rugged steel housing with built-in mounting brackets
- 4" polymeric duct connector
- Durable damper quietly eliminates backdrafts—no metallic clatter
- UL listed for use over bathtubs and showers when connected to a GFCI protected branch circuit



**Model
HD80L
(4" round duct)**



Model No.	CFM & Sones @ Static Pressure (Ps - Inches Water Gage)										Volts	Watts (Fan only)	Nominal RPM	Duct Size
	0" wg Ps		0.100" wg Ps		0.125" wg Ps		0.250" wg Ps		0.375" wg Ps					
	CFM	Sones	CFM	Sones	CFM	Sones	CFM	Sones	CFM	Sones				
HD80L	97	4.0	87	4.1	84	4.1	69	4.2	50	4.4	120	50	1380	4" Round

Performance ratings include the effects of inlet grille and backdraft damper. Speed (RPM) shown is nominal. Performance is based on actual speed of test. The sound ratings are loudness values in fan sones at 5' (1.5m) in a hemispherical free field calculated per AMCA Std. 301. Values shown are for Installation Type B: free inlet hemispherical sone levels. Performance certified is for Installation Type B: Free inlet, Ducted outlet.

Combination Unit

Added comfort and convenience.

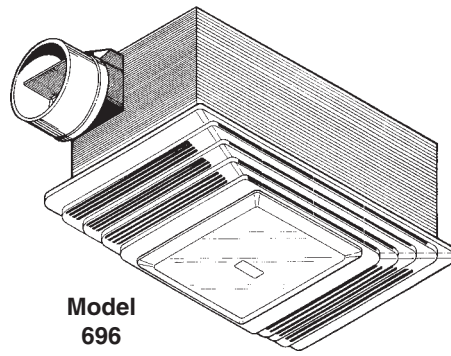
Get exactly the comfort and convenience features you want. All in one compact, easy-to-install unit. Two blower wheels, each powered by its own permanently lubricated plug-in motor, deliver high-efficiency performance

Brilliant room lighting

- Bright 100-watt light capacity (bulb not included)
- Shatter-resistant lens diffuses light evenly

High-performance exhaust fan

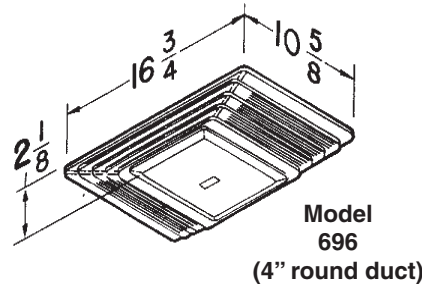
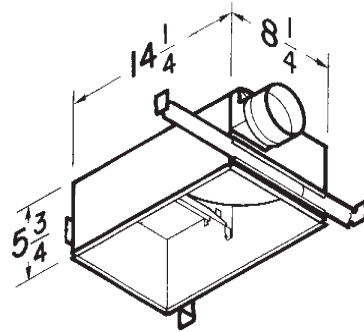
- Built-in damper prevents back-drafts and eliminates metallic clatter
- Adjustable, slotted mounting brackets span up to 24" for easy installation
- Polymeric 4" round duct features a 2" long tapered sleeve for easy, positive ducting
- Housing lined with acoustic insulation
- Designer styled white polymeric grille complements virtually any decor
- Type IC



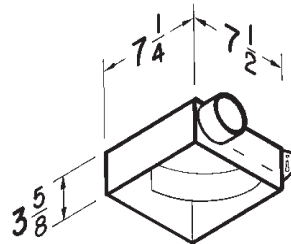
Model 696

Model 696 Fan/Light

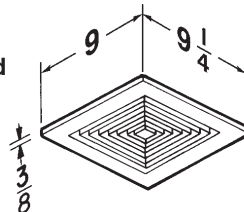
- 115 CFM, 5.1 Sones



Model 696 (4" round duct)



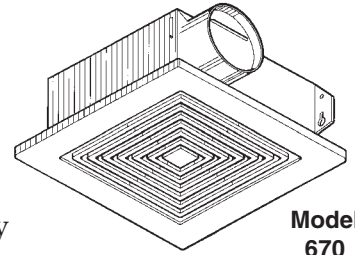
Model 670 (3" round duct)



Bath Fan

Performance for every need and budget.

- Durable fan and blower assembly encased in sturdy steel housing



Model 670

- Permanently lubricated motor drives specially designed blower, quietly delivering high exhaust performance
- Built-in damper prevents cold back-drafts, with no metallic clatter
- Built-in mounting ears for quick, sturdy installation
- Polymeric duct connector features long, tapered sleeves for easier, positive ducting
- UL listed for use over bathtubs and showers when connected to a GFCI-protected branch circuit

Model 670 Deluxe Ceiling/Wall Fan

- 52 CFM, 3.9 Sones @ 0.0" Ps
- Broan-designed durable blower wheel
- Torsion spring grille mounting – no tools needed
- Compact housing fits easily between wall studs
- Double strength steel mounting flanges with key-hole slots for fast, sturdy installation
- 3" round duct connector
- Single packs and Project Packs
- Metal grille kit available separately – Broan part number 97011308

Project Packs

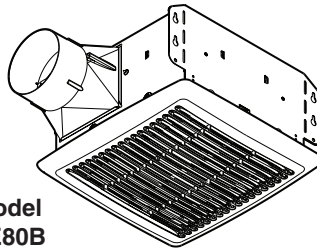
Each "H" Pak includes rough-in housings only, making multi-unit installation more convenient. "F" Pak grille and motor/blower assemblies can be ordered separately, nearer project completion. That way, there are no components to lose or warehouse.

Model No.	Sones @ 0.0" Ps	CFM @ Static Pressure (Ps – Inches of H ₂ O)					Volts	Watts (Fan only)	Nominal RPM	Duct Size
		0.0	0.1	.125	.250	.375				
696	5.1	115	106	103	90	70	120	95	1550	4" Round
670	CFM/SONES @ Static Pressure (Ps – Inches of H ₂ O)					120	48	1870	3" Round	
	CFM	52	49	47	42					29
	Sones	3.9	4.3	4.4	4.6	5.5				

Performance ratings include the effects of inlet grille and backdraft damper. Speed (RPM) shown is nominal. Performance is based on actual speed of test. The sound ratings are loudness values in fan sones at 5' (1.5m) in a hemispherical free field calculated per AMCA Std. 301. Values shown are for Installation Type B: free inlet hemispherical sone levels. Performance certified is for Installation Type B: Free inlet, Ducted outlet.

BROAN® InVent™ Series Fan

- Foldable mounting ears for easy, room-side installation in both new construction and retrofit applications
- New damper technology forms a tighter seal, preventing backdrafts and improving air tightness
- Polymeric duct connectors feature long, tapered sleeves for easier, positive ducting
- Permanently lubricated motors drive specially designed blowers, quietly delivering high exhaust performance
- Durable fan and blower assemblies encased in sturdy steel housings
- UL listed for use over bathtubs and showers when connected to a GFCI-protected branch circuit



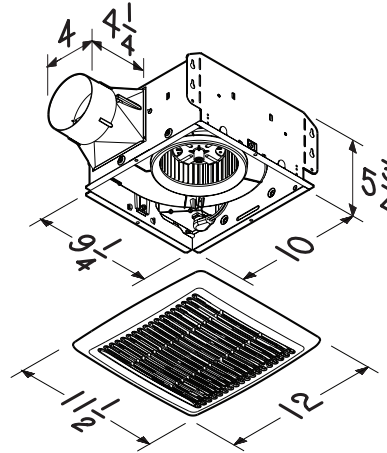
Model AE80B

Model AE80B Bath Fan

- 87 CFM, 1.0 Sones @ 0.0" Ps
- Removable centrifugal type blower assembly with permanently lubricated motor
- Foldable mounting ears for quick installation
- Torsion spring grille mounting – no tools needed
- 4" round duct connector
- Single Paks and Project Paks

Project Paks

Each "H" Pak includes rough-in housings only, making multi-unit installation more convenient. "F" Pak grille and motor/blower assemblies can be ordered separately, nearer project completion. That way, there are no components to lose or warehouse.



Model No.	Duct Size	Performance @ Static Pressure (Ps) - Inches Water Gage											Volts	Hz.	Nominal RPM
		0.000" Ps		0.100" Ps			0.125" Ps		0.250" Ps		0.375" Ps				
		CFM	Sones	CFM	Sones	Watts	CFM	Sones	CFM	Sones	CFM	Sones			
AE80B	4" Round	87	1.0	76	1.5	26	72	1.5	56	2.5	38	3.0	120	60.0	840

Performance ratings include the effects of inlet grille and backdraft damper. Speed (RPM) shown is nominal. Performance is based on actual speed of test. The sound ratings are loudness values in fan sones at 5' (1.5m) in a hemispherical free field calculated per AMCA Std. 301. Values shown are for Installation Type B: free inlet hemispherical sone levels. Performance certified is for Installation Type B: Free inlet, Ducted outlet.

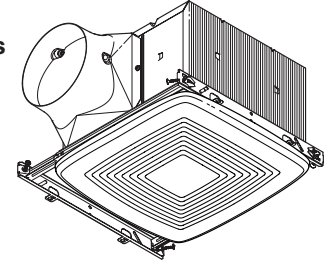
BROAN® ULTRA™ Series Ventilation Fans

UltraGreen™ Energy Saving DC Motor

- DC motor for efficiency well beyond ENERGY STAR® requirements.
- Multi-speed capability ideal for meeting ASHRAE 62.2, LEED and ENERGY STAR® for Homes requirements. Can be used to comply with CA Title 24, as well as local/spot ventilation needs.



Models
ZB80
ZB110



UltraSilent™ Sound Technology

- State-of-the-art blower and duct outlet design smooths airflow.
- High tech DC motor designed for nearly silent operation.

UltraSmart™ Control Technology

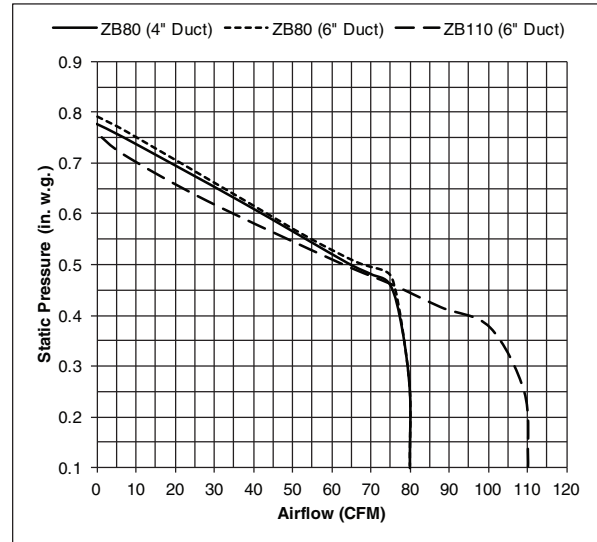
- Powerful operation maintained over a wide range of real-world installations (CFM ratings maintained through at least 0.25" static pressure).
- Infinitely adjustable low cfm setting allows precise adjustment to prevent over-ventilating and maximize efficiency.
- Adjustable time delay sets how long fan will run on high speed before returning to a continuous lower speed.
- Rated for Continuous Operation.

UltraQuick™ Installation Technology

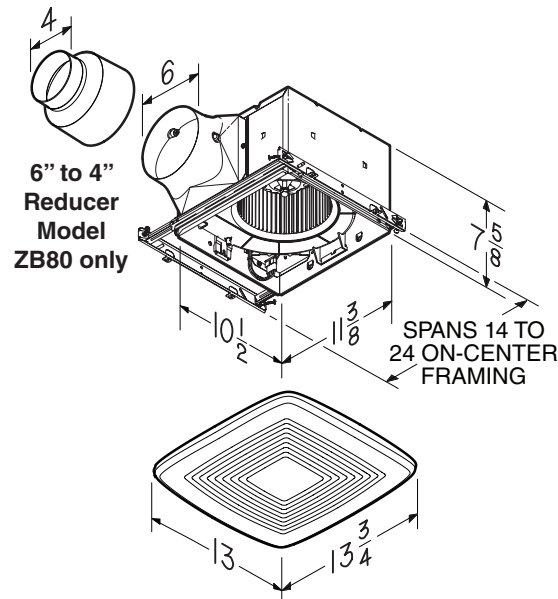
- Unique telescoping mounting frame fits through retrofit drywall opening to allow easy installation from the room side. No attic access needed!
- Captive screws allow for easy new construction installation.
- Mounting frame positioning tabs provide easy vertical positioning for new construction.
- Easy to insert and remove snap-in housing. No screws required!
- Easy to insert and remove snap-in blower.
- Inside or outside duct connector and knockout plate mounting provides flexibility for new construction or retrofit.

U.L. Listed for use over bathtubs and showers when connected to a GFCI protected branch circuit (ceiling mount only).

3-year warranty.



DIMENSIONS (Inches)



Model No.	Duct Size	Performance @ Static Pressure (Ps) - Inches Water Gage												Volts	Hz.	Nominal RPM	
		0.100" Ps			0.125" Ps		0.250" Ps		0.375" Ps		0.500" Ps		0.625" Ps				
		CFM	Sones	Watts	CFM	Sones	CFM	Sones	CFM	Sones	CFM	Sones	CFM				Sones
ZB80	4" Round	80	< 0.3	7.8	80	0.3	80	1.0	78	1.8	64	2.4	37	3.0	120	60	985
	6" Round	80	< 0.3	6.1	80	< 0.3	80	0.6	78	1.4	66	2.2	38	3.0	120	60	935
ZB110	6" Round	110	< 0.3	8.4	110	< 0.3	109	1.4	100	2.3	62	3.0	28	3.6	120	60	940

Performance ratings include the effects of inlet grille and backdraft damper. Speed (RPM) shown is nominal. Performance is based on actual speed of test. The sound ratings are loudness values in fan sones at 5' (1.5m) in a spherical free field calculated per AMCA Std. 301. Values shown are for Installation Type B: free inlet hemispherical sone levels. Performance certified is for Installation Type B: Free inlet, Ducted outlet.

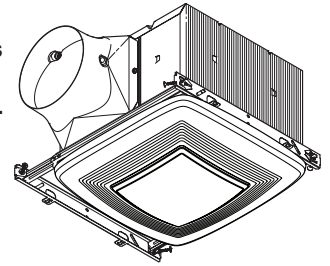
BROAN® ULTRA™ Series Ventilation Fan / Lights

UltraGreen™ Energy Saving DC Motor

- DC motor for efficiency well beyond ENERGY STAR® requirements.
- Multi-speed capability ideal for meeting ASHRAE 62.2, LEED and ENERGY STAR® for Homes requirements. Can be used to comply with CA Title 24, as well as local/spot ventilation needs.



Models
ZB80L
ZB110L



UltraSilent™ Sound Technology

- State-of-the-art blower and duct outlet design smooths airflow.
- High tech DC motor designed for nearly silent operation.

UltraSmart™ Control Technology

- Powerful operation maintained over a wide range of real-world installations (CFM ratings maintained through at least 0.25" static pressure).
- Infinitely adjustable low cfm setting allows precise adjustment to prevent over-ventilating and maximize efficiency.
- Adjustable time delay sets how long fan will run on high speed before returning to a continuous lower speed.
- Rated for Continuous Operation.

UltraLucent™ Lighting Technology

- Two, ENERGY STAR® qualified 18 watt (max) GU24, 3500K bulbs brightly illuminate room for most any task (bulbs included).
- One, 4 watt (max) C7 type night-light provides night-time convenience (bulb not included).
- Well-diffused, wide light dispersal floods room for maximum effectiveness and keeps bulbs from showing through lens.
- Enclosed reflector for minimal light visibility through the grille.

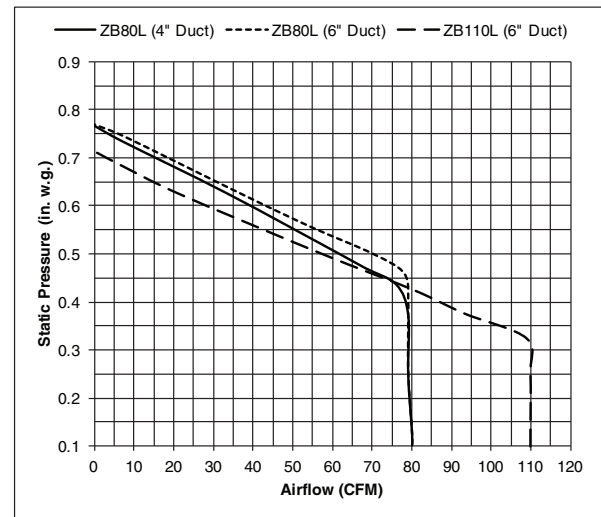
UltraQuick™ Installation Technology

- Unique telescoping mounting frame fits through retrofit drywall opening to allow easy installation from the room side. No attic access needed!
- Captive screws allow for easy new construction installation.
- Mounting frame positioning tabs provide easy vertical positioning for new construction.
- Easy to insert and remove snap-in housing. No screws required!
- Easy to insert and remove snap-in blower.
- Inside or outside duct connector and knockout plate mounting provides flexibility for new construction or retrofit.

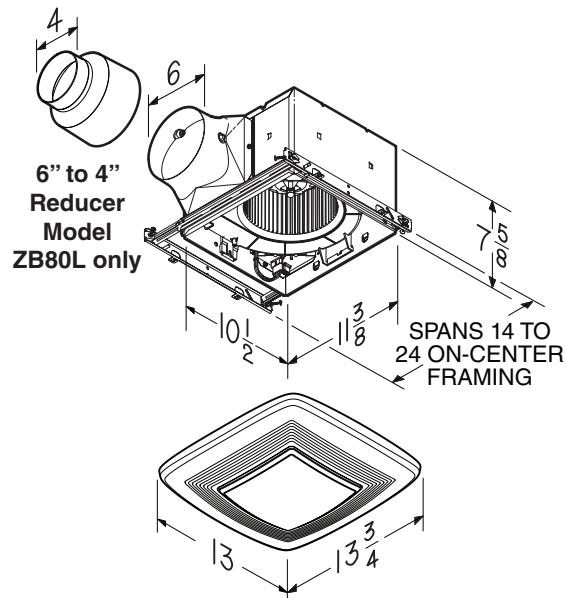
U.L. Listed for use over bathtubs and showers when connected to a GFCI protected branch circuit (ceiling mount only).

U.L. Listed for use in insulated ceilings (Type IC).

3-year warranty on product, 1-year warranty on bulbs.



DIMENSIONS (Inches)



Model No.	Duct Size	Performance @ Static Pressure (Ps) - Inches Water Gage												Volts	Hz.	Nominal RPM	
		0.100" Ps			0.125" Ps		0.250" Ps		0.375" Ps		0.500" Ps		0.625" Ps				
		CFM	Sones	Watts	CFM	Sones	CFM	Sones	CFM	Sones	CFM	Sones	CFM				Sones
ZB80L	4" Round	80	< 0.3	8.3	80	0.3	79	0.9	79	1.6	62	2.1	34	2.6	120	60	1020
	6" Round	80	< 0.3	6.7	80	< 0.3	79	0.6	79	1.3	70	2.1	37	2.6	120	60	980
ZB110L	6" Round	110	0.3	9.3	110	0.4	110	1.1	93	1.9	57	2.6	22	3.4	120	60	980

Performance ratings include the effects of inlet grille and backdraft damper. Speed (RPM) shown is nominal. Performance is based on actual speed of test. The sound ratings are loudness values in fan sones at 5' (1.5m) in a spherical free field calculated per AMCA Std. 301. Values shown are for Installation Type B: free inlet hemispherical sone levels. Performance certified is for Installation Type B: Free inlet, Ducted outlet.

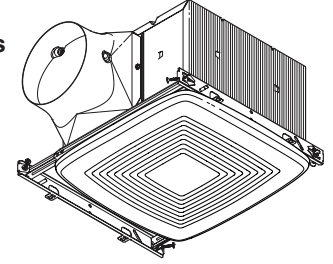
NuTone™ ULTRA™ Series Ventilation Fans

UltraGreen™ Energy Saving DC Motor

- DC motor for efficiency well beyond ENERGY STAR® requirements.
- Multi-speed capability ideal for meeting ASHRAE 62.2, LEED and ENERGY STAR® for Homes requirements. Can be used to comply with CA Title 24, as well as local/spot ventilation needs.



Models
ZN80
ZN110

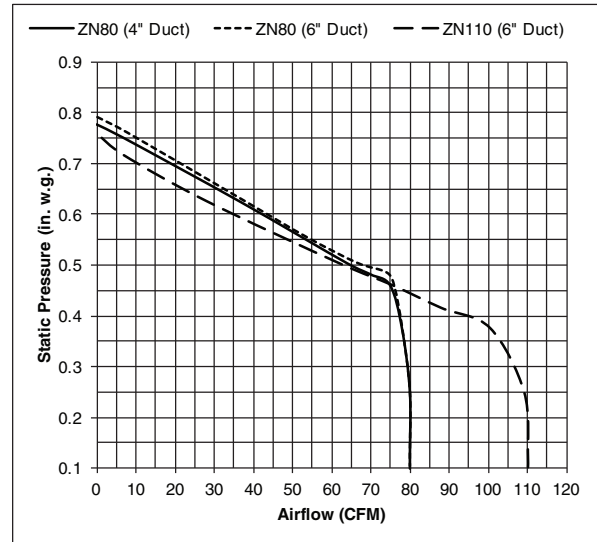


UltraSilent™ Sound Technology

- State-of-the-art blower and duct outlet design smooths airflow.
- High tech DC motor designed for nearly silent operation.

UltraSmart™ Control Technology

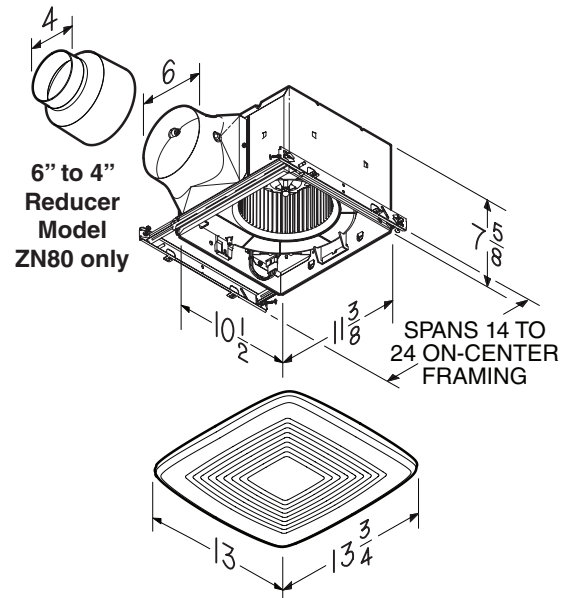
- Powerful operation maintained over a wide range of real-world installations (CFM ratings maintained through at least 0.25" static pressure).
- Infinitely adjustable low cfm setting allows precise adjustment to prevent over-ventilating and maximize efficiency.
- Adjustable time delay sets how long fan will run on high speed before returning to a continuous lower speed.
- Rated for Continuous Operation.



UltraQuick™ Installation Technology

- Unique telescoping mounting frame fits through retrofit drywall opening to allow easy installation from the room side. No attic access needed!
- Captive screws allow for easy new construction installation.
- Mounting frame positioning tabs provide easy vertical positioning for new construction.
- Easy to insert and remove snap-in housing. No screws required!
- Easy to insert and remove snap-in blower.
- Inside or outside duct connector and knockout plate mounting provides flexibility for new construction or retrofit.

DIMENSIONS (Inches)



U.L. Listed for use over bathtubs and showers when connected to a GFCI protected branch circuit (ceiling mount only).

3-year warranty.



Model No.	Duct Size	Performance @ Static Pressure (Ps) - Inches Water Gage														Volts	Hz.	Nominal RPM
		0.100" Ps		0.125" Ps		0.250" Ps		0.375" Ps		0.500" Ps		0.625" Ps						
		CFM	Sones	Watts	CFM	Sones	CFM	Sones	CFM	Sones	CFM	Sones	CFM	Sones				
ZN80	4" Round	80	< 0.3	7.8	80	0.3	80	1.0	78	1.8	64	2.4	37	3.0	120	60	985	
	6" Round	80	< 0.3	6.1	80	< 0.3	80	0.6	78	1.4	66	2.2	38	3.0	120	60	935	
ZN110	6" Round	110	< 0.3	8.4	110	< 0.3	109	1.4	100	2.3	62	3.0	28	3.6	120	60	940	

Performance ratings include the effects of inlet grille and backdraft damper. Speed (RPM) shown is nominal. Performance is based on actual speed of test. The sound ratings are loudness values in fan sones at 5' (1.5m) in a spherical free field calculated per AMCA Std. 301. Values shown are for Installation Type B: free inlet hemispherical sone levels. Performance certified is for Installation Type B: Free inlet, Ducted outlet.

NuTone™ ULTRA™ Series Ventilation Fan / Lights

UltraGreen™ Energy Saving DC Motor

- DC motor for efficiency well beyond ENERGY STAR® requirements.
- Multi-speed capability ideal for meeting ASHRAE 62.2, LEED and ENERGY STAR® for Homes requirements. Can be used to comply with CA Title 24, as well as local/spot ventilation needs.

UltraSilent™ Sound Technology

- State-of-the-art blower and duct outlet design smooths airflow.
- High tech DC motor designed for nearly silent operation.

UltraSmart™ Control Technology

- Powerful operation maintained over a wide range of real-world installations (CFM ratings maintained through at least 0.25" static pressure).
- Infinitely adjustable low cfm setting allows precise adjustment to prevent over-ventilating and maximize efficiency.
- Adjustable time delay sets how long fan will run on high speed before returning to a continuous lower speed.
- Rated for Continuous Operation.

UltraLucent™ Lighting Technology

- Two, ENERGY STAR® qualified 18 watt (max) GU24, 3500K bulbs brightly illuminate room for most any task (bulbs included).
- One, 4 watt (max) C7 type night-light provides night-time convenience (bulb not included).
- Well-diffused, wide light dispersal floods room for maximum effectiveness and keeps bulbs from showing through lens.
- Enclosed reflector for minimal light visibility through the grille.

UltraQuick™ Installation Technology

- Unique telescoping mounting frame fits through retrofit drywall opening to allow easy installation from the room side. No attic access needed!
- Captive screws allow for easy new construction installation.
- Mounting frame positioning tabs provide easy vertical positioning for new construction.
- Easy to insert and remove snap-in housing. No screws required!
- Easy to insert and remove snap-in blower.
- Inside or outside duct connector and knockout plate mounting provides flexibility for new construction or retrofit.

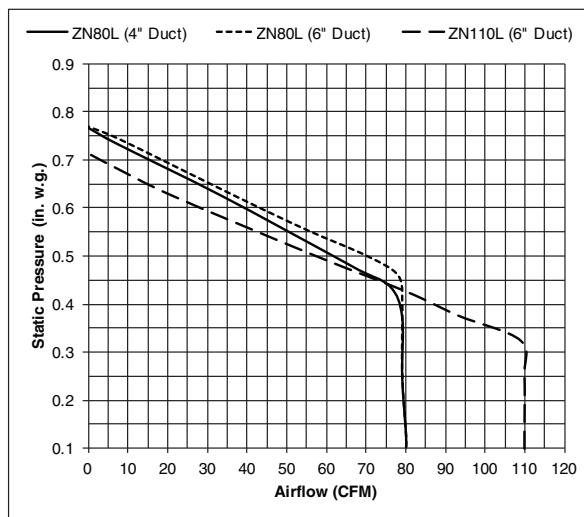
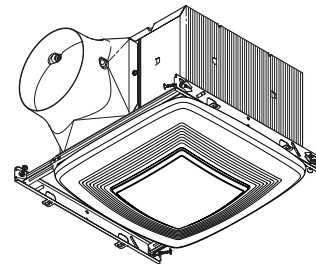
U.L. Listed for use over bathtubs and showers when connected to a GFCI protected branch circuit (ceiling mount only).

U.L. Listed for use in insulated ceilings (Type IC).

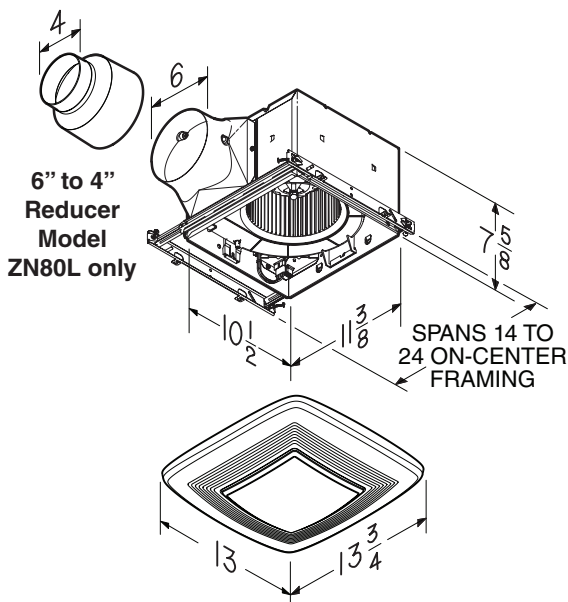
3-year warranty on product, 1-year warranty on bulbs.



Models
ZN80L
ZN110L



DIMENSIONS (Inches)



Model No.	Duct Size	Performance @ Static Pressure (Ps) - Inches Water Gage												Volts	Hz.	Nominal RPM	
		0.100" Ps			0.125" Ps		0.250" Ps		0.375" Ps		0.500" Ps		0.625" Ps				
		CFM	Sones	Watts	CFM	Sones	CFM	Sones	CFM	Sones	CFM	Sones	CFM				Sones
ZN80L	4" Round	80	< 0.3	8.3	80	0.3	79	0.9	79	1.6	62	2.1	34	2.6	120	60	1020
	6" Round	80	< 0.3	6.7	80	< 0.3	79	0.6	79	1.3	70	2.1	37	2.6	120	60	980
ZN110L	6" Round	110	0.3	9.3	110	0.4	110	1.1	93	1.9	57	2.6	22	3.4	120	60	980

Performance ratings include the effects of inlet grille and backdraft damper. Speed (RPM) shown is nominal. Performance is based on actual speed of test. The sound ratings are loudness values in fan sones at 5' (1.5m) in a spherical free field calculated per AMCA Std. 301. Values shown are for Installation Type B: free inlet hemispherical sone levels. Performance certified is for Installation Type B: Free inlet, Ducted outlet.