



Centrifugal Roof and Sidewall



**LPD • CWD • STXD • STXDe • SDBD • SDBDe
DB • SDB • TXB • STXB**

Direct Drive and Belt Drive Centrifugal Roof and Sidewall Fans

A decorative graphic consisting of several overlapping, wavy blue lines that flow across the page from left to right. The lines vary in thickness and opacity, creating a sense of motion and depth.

Advancing Ventilation



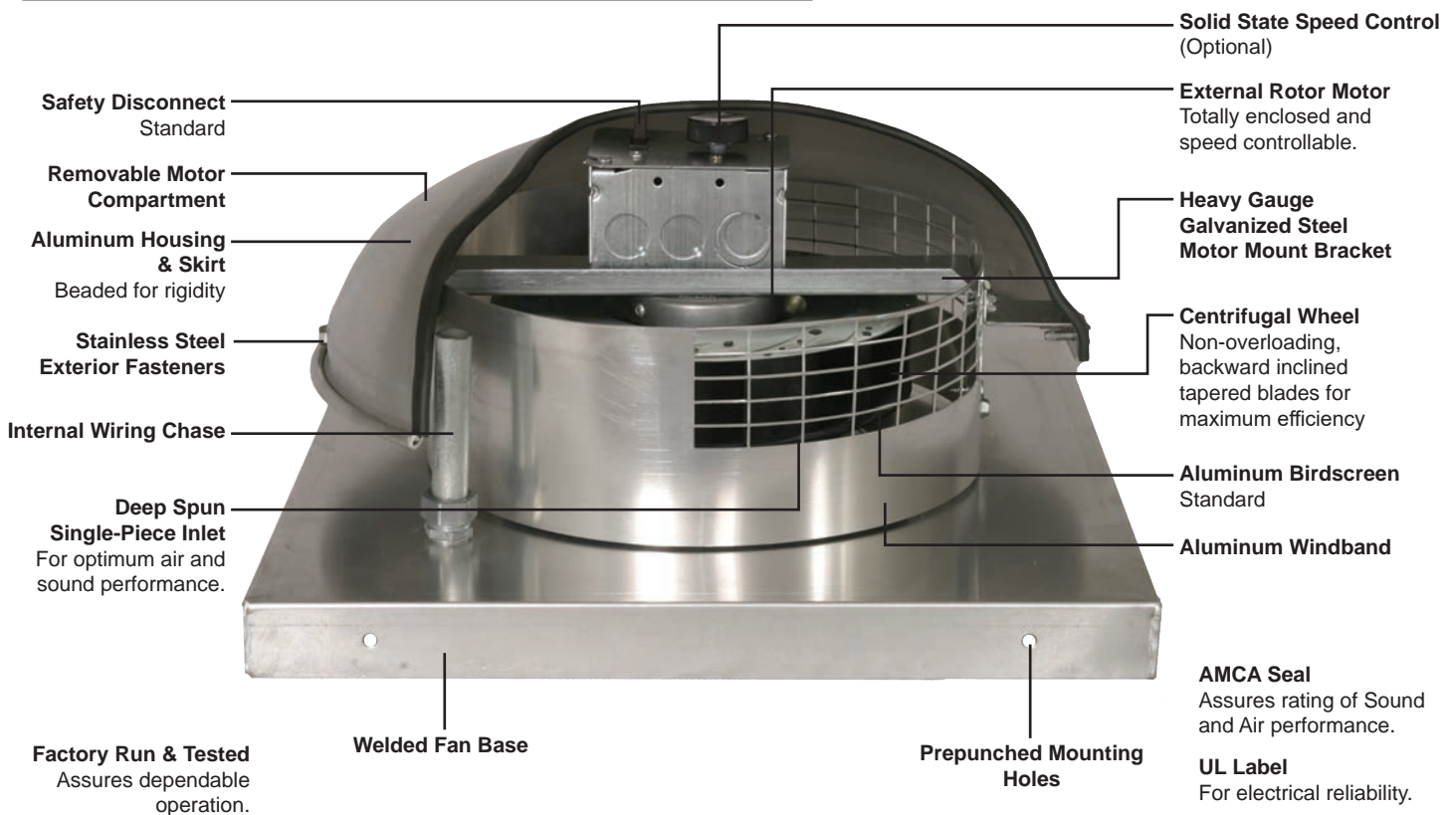
MODEL FEATURES

- Exhaust air up to 420 CFM in high static pressure applications up to 1-3/4" w.g.
- Low profile attractive spun aluminum exterior
- Direct drive units have low sound levels and quiet operation
- Non-overloading backward inclined wheel for efficiency at higher static pressures
- Roof or sidewall mounting options
- AMCA Air and Sound Licensed
- cULus 705 Listed

MODEL OVERVIEW

Model LPD direct drive fans are designed to exhaust air in low CFM, up to 420, high static pressure applications to 1-3/4". When aesthetics are a concern the low profile design of the LPD is the perfect choice. The LPD is generally used for bathroom, office, or light commercial ventilation in ducted systems; and can be mounted either on the roof or wall as the application requires.

CONSTRUCTION FEATURES AND OPTIONS



Model LPD is available in our Quickship program for next day shipping from stock.



Industry best 5 year fan housing warranty, 3 year motor warranty

All specifications are subject to change without notice unless approved in submittal by Soler & Palau.



CONSTRUCTION/SPECIFICATION CHECKLIST

Housing

- Ultra low profile, aluminum construction
- Curb cap has integral deep spun inlet for efficient performance and prepunched mounting holes for ease of installation.
- Spun aluminum hood and skirt for weather protection and attractive appearance.
- Up to 140°F airstream temperature.
- Heavy-gauge motor support for rigidity and strength.
- Quick access to motor compartment for ease of maintenance.
- Conduit passage for easy electrical connection from below roof.
- Birdscreen included on standard all models

Wheel

- Backward inclined for efficiency at higher static pressure.
- Non-overloading for safe operation in ducted systems.
- Tapered blades for efficiency and quiet operation.
- Wheels constructed of noncorrosive aluminum.
- Statically and dynamically balanced for smooth operation.

Speed Controllable Motors

- Unique external rotor design.
- Permanently lubricated bearings.
- Internal thermal protection.
- Standard motors are single speed, speed controllable, totally enclosed.
- All motors are rated for continuous duty.
- Disconnect is standard.
- 115V, 230V and 60/50 motor options.

Certifications

- AMCA Air and Sound Licensed.
- cULus 705 Listed Power Roof Ventilator label assures electrical reliability.
- UL label must be specified when needed.

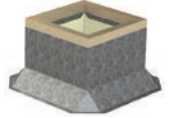


OPTIONS/ACCESSORIES

Solid State Speed Control: S&P's solid state control is matched to allow smooth RPM variation and adjustment of airflow for system balancing. CFM is reduced in direct proportion to motor speed reduction. Speed controllers available for 115/1 or 230/1 operation. Exhauster performance can be controlled from the ventilated area.



Roof Curb: Prefabricated heavy-gauge galvanized steel, welded construction, 12" high (other heights are also available) with 1-1/2" wood nailer. Assures perfect fit of exhauster to roof opening. Options include burglar bars, single or double pitch construction and hinged curbs for easy duct access.



Motor Operated Damper: Motor operated aluminum damper for positive closure against backdraft.



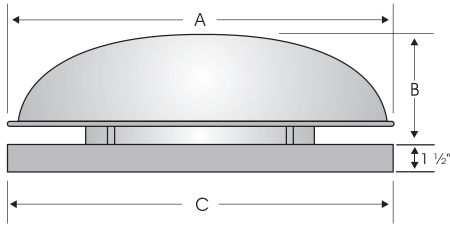
Automatic Damper: Automatic aluminum damper for ease in installation and effective backdraft protection.

Curb Hinge Arrangement: The curb hinge arrangement provides easy access to the exhaust fan, backdraft damper, and duct for servicing and cleaning.

Special Coatings: Powered roof exhausters often require special coatings for protective and decorative purposes. Available coatings include: Synthetic Resin, Epoxy, and Heresite (air-dried phenolic). Contact your representative or the factory for more information on available coatings and colors.



PERFORMANCE/DIMENSIONS



Size	O.D. Damper	Roof Opening	Curb O.D.	A	B	C	Average Ship Wt. Lbs.
6	11	11-3/4	14-3/4	16-1/2	7	16-1/2	12
8	11	11-3/4	14-3/4	16-1/2	7	16-1/2	15

60 Hz

Model LPD	CFM @ Static Pressure											RPM (Nom.)	Max Motor Watts & Amps	Sones @ 1/2"
	0	1/8	1/4	3/8	1/2	5/8	3/4	1	1-1/4	1-1/2	1-3/4			
LPD06A60 115/1/60	302	268	247	222	197	175	155	118	87	52	-	2800	90 / 0.8	7.2
LPD08A60 115/1/60	387	358	331	303	275	245	222	178	138	98	63	2775	115 / 1.0	11.9
LPD06C60 230/1/60	293	263	245	225	204	184	167	128	82	57	-	2900	90 / 0.4	9.1
LPD08C60 230/1/60	423	381	350	316	292	265	238	188	140	97	52	2950	115 / 0.5	14.1

50 Hz

Model LPD	CFM @ Static Pressure											RPM (Nom.)	Max Motor Watts & Amps	Sones @ 1/2"
	0	1/8	1/4	3/8	1/2	5/8	3/4	1	1-1/4	1-1/2	1-3/4			
LPD06C50 230/1/50	279	252	232	213	196	172	156	115	67	-	-	2700	65 / 0.3	9.1
LPD08C50 230/1/50	390	345	317	292	263	237	213	161	105	43	-	2725	85 / 0.43	14.1

Performance certified is for installation type A-free inlet, free outlet. Performance ratings include the effects of birdscreen in the airstream. The sound ratings shown are loudness values in fan sones @ 5' (1.5m) in a hemispherical free field calculated per AMCA Standard 301. Values shown are for: Installation Type A: free inlet hemispherical sone levels. Speed (RPM) shown is nominal. Performance is based on actual speed of test.



S&P USA Ventilation Systems, LLC., Div. of Soler & Palau Ventilation Group, certifies that the Models LPD shown herein are licensed to bear the AMCA Seal. The ratings shown are based on test and procedures performed in accordance with AMCA Publication 211 and AMCA Publication 311 and comply with the requirement of the AMCA Certified Ratings Program.



S&P patented motorized impellers typically exceed manufacturer's RPM ratings as shown in the AMCA certified performance table above. Motor manufacturer's published ratings are:

LPD06A60: 115/1/60/TE, 2600 RPM	LPD08A60: 115/1/60/TE, 3050 RPM
LPD06C60: 230/1/60/TE, 2600 RPM	LPD08C60: 230/1/60/TE, 3050 RPM
LPD06C50: 230/1/50/TE, 2500 RPM	LPD08C50: 230/1/50/TE, 2700 RPM

MODELS SDBD & SDBDe

DIRECT DRIVE CENTRIFUGAL DOWNBLAST ROOF EXHAUSTERS

MODEL SDBD - DIRECT DRIVE CENTRIFUGAL ROOF EXHAUSTER


MODEL FEATURES



- Exhaust air up to 4,980 CFM in high static pressure applications up to 1-1/2" w.g.
- Attractive spun aluminum exterior
- Direct drive units have low sound levels and quiet operation
- Curved non-overloading backward inclined wheel for efficiency at higher static pressures
- AMCA Air and Sound Licensed
- cULus 705 Listed

MODEL OVERVIEW

Model SDBD direct drive fans are designed to exhaust air up to 4,980 CFM in high static pressure applications to 1-1/2". The spun aluminum exterior provides an attractive appearance. The non-overloading backward inclined wheel with its higher static pressure capability makes this unit suitable for either ducted or nonducted applications. Its roof mounting permits location near the area to be ventilated, allowing short duct runs and more efficient operation.



Model SDBD is available in our Quickship program. Sizes 6-16 are available for next day, 3-day or 10-day shipping from stock.

The SDBD is generally used to exhaust air from all types of commercial and institutional buildings such as hospitals and health care facilities, schools, recreational buildings, machinery and equipment rooms, offices, retail stores and similar applications.

Industry best 5 year fan housing warranty, 1 year motor warranty

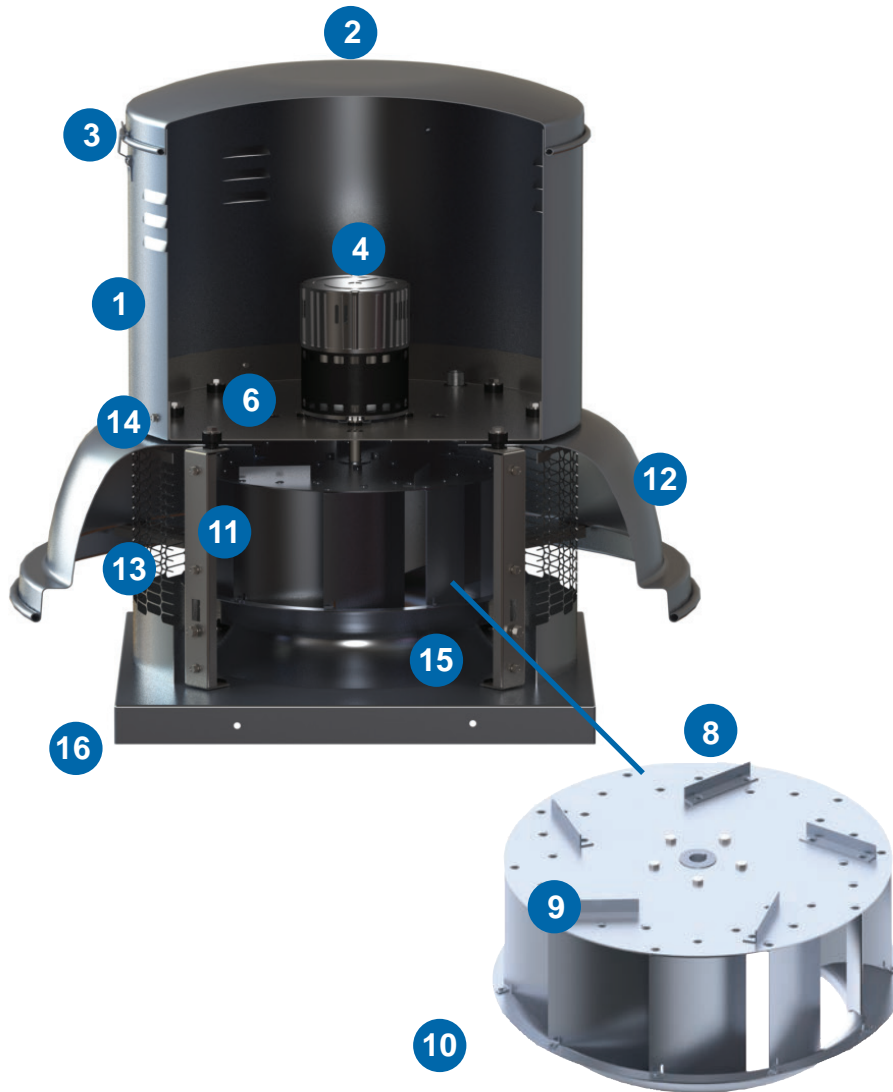


SDBD & SDBDe Model Overview & Construction Features

Model SDBD & SDBDe - Direct Drive

Size Range	6, 7, 8, 10, 12, 14, 15 & 16
Motor HP Range	1/25 to 1-1/2
CFM Range	40 to 4980
Static Pressure	up to 1-3/4 in. w.g.
Warranty	5 years

*Models SDBDe have Electronically Commutated (EC) Motors



Applications

General Purpose Exhaust - Clean Air

- Bathrooms
- Garages
- General (non-grease) Kitchen Areas
- Offices
- Dormitories
- Manufacturing and Assembly plants
- Warehouse
- Places of Worship
- Schools
- Many More



Downblast Model Overview & Construction Features

#	Feature	Description
1	Motor Cover	Heavy-gauge aluminum motor cover provides weather protection for motor compartment.
2	Motor Cover Cap	Heavy-gauge aluminum top with rolled bead for added strength and quick-release latches.
3	Quick-Release Latches	Stainless steel latches for easy removal of motor cover cap for access to the motor compartment and motor.
4	Motor	Open drip-proof enclosure standard, many other options available.
5	Bearings	Air handling ball bearing type with cast iron housing and grease fittings.
6	Vibration Isolators	Neoprene (rubber) vibration isolators to reduce vibration and noise.
7	Motor Mounting Plate	Heavy-gauge galvanized motor mounting plate.
8	Wheel	Aluminum, non-overloading, backward-inclined curved centrifugal wheel for maximum efficiency. Each wheel is dynamically balanced for smooth operation and long life.
9	Cooling Vanes	Helps promote cooling of the motor and drive by pulling air through the motor compartment. Helps maximize the life of the motor and drives.
10	Curved Blades	Designed to provide more CFM per HP and lower sound levels.
11	Support Legs	4 heavy-gauge galvanized support legs to anchor the motor plate to the fan base for stability and vibration reduction.
12	Fan Skirt	Aluminum fan skirt with rolled bead for extra strength. Fan skirt directs the exhausted air downward.
13	Birdscreen	Aluminum birdscreen standard to protect the fan from birds and other large objects.
14	Exterior Fasteners	Stainless steel.
15	Inlet Venturi	Deep spun single piece inlet venturi for optimum air and sound performance
16	Curb Cap	Fully welded curb cap for rigidity and weather protection. Pre-punched mounting holes for ease of installation.
17	Drives	Sized for 150% of drive HP, adjustable pitch motor sheaves.
18	Lifting Lugs	Standard on all belt drive models, SDB, for easy and safe placement of the fan on roof.
19	Disconnect Switch (not shown)	Standard with ODP and TE single speed motors. Ships loose.



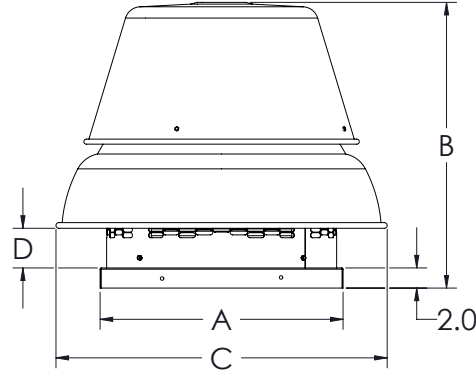
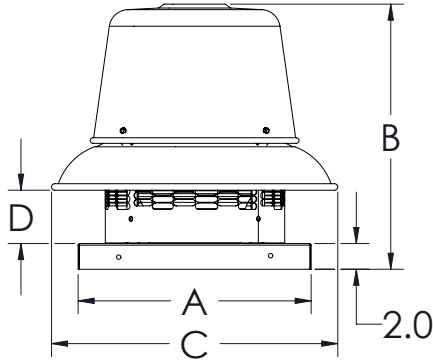
DIMENSIONS

Dimensions in Inches

Model SDBD & SDBDe: Direct Drive Centrifugal Downblast

SDBD Sizes 6, 7, 8, & 10

SDBD Sizes 12, 14, 15, & 16



Size	A	B	C	D	Roof Opening	Curb O.D.	Damper O.D.	Average Ship Wt. Lbs.
6	18.13	14.10	22.30	1.5	13 1/2	16 1/2	12	109
7	18.13	16.80	22.30	4.10	13 1/2	16 1/2	12	109
8	18.13	16.80	22.30	4.10	13 1/2	16 1/2	12	109
10	18.13	19.80	22.30	5.10	13 1/2	16 1/2	12	109
12	20.11	27.60	27.60	3.90	15 1/2	18 1/2	14	122
14	20.11	27.60	27.60	3.90	15 1/2	18 1/2	14	126
15	24.11	28.30	32.90	4.00	19 1/2	22 1/2	18	140
16	24.11	28.30	32.90	4.00	19 1/2	22 1/2	18	140

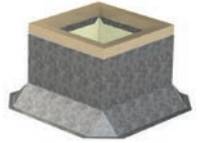


OPTIONS/ACCESSORIES

Solid State Speed Control (SDBD): S&P's solid state control is matched to the motor and blower wheel to allow continuous reduction in performance allowing adjustments of airflow for system balancing. CFM is reduced in direct proportion to motor speed reduction. Speed control is available for 115 or 230 volt single phase. Exhauster performance can be controlled from the ventilated area.



Roof Curb: Prefabricated heavy-gauge galvanized steel, welded construction, 12" high (other heights are also available) with 1-1/2" wood nailer. Assures perfect fit of exhauster to roof opening. Options include burglar bars, single or double pitch construction and hinged curbs for easy duct access.



Sound Curb: Option of thermal acoustical lining or a complete maximum sound attenuating baffle system. Provision for mounting damper is available. Contact factory for information regarding effect on exhauster air performance and sound level.

Motor Operated Damper: Motor operated aluminum damper for positive closure against backdraft.



Automatic Damper: Automatic aluminum damper for ease in installation and effective backdraft protection.

Companion Gravity Units: Model RCX-II comes in a wide range of sizes and air capacities to provide relief or intake air to the system. Curbs and dampers are available to fit all sizes. Spun aluminum hoods provide a pleasing appearance, complementing the Model SDBD & SDB exhausters.



Special Coatings: Powered roof exhausters often require special coatings for protective and decorative purposes. Available coatings include: Synthetic Resin, Epoxy, and Heresite (air-dried phenolic). Contact your representative or the factory for more information on available coatings and colors.

Curb Hinge Arrangement: The curb hinge arrangement provides easy access to the exhaust fan, backdraft damper, and duct for servicing and cleaning.



eMotor - Electronically Commutated Motor

S&P's eMotor is 115/230V and 50/60 Hz and is available in 1/4, 1/3 and 1/2 HP. This fully controllable motor offers both reliability and low maintenance in one of the most efficient motor fan combinations in the industry.

When used in S&P's eRED downblast fan, the eMotor is the ideal solution for a low cost, fully controlled ventilation system. This motor in the eRED can exhaust air volume up to 3,000 CFM, equal to that of a belt drive fan, with all the benefits and low maintenance of a direct drive fan.

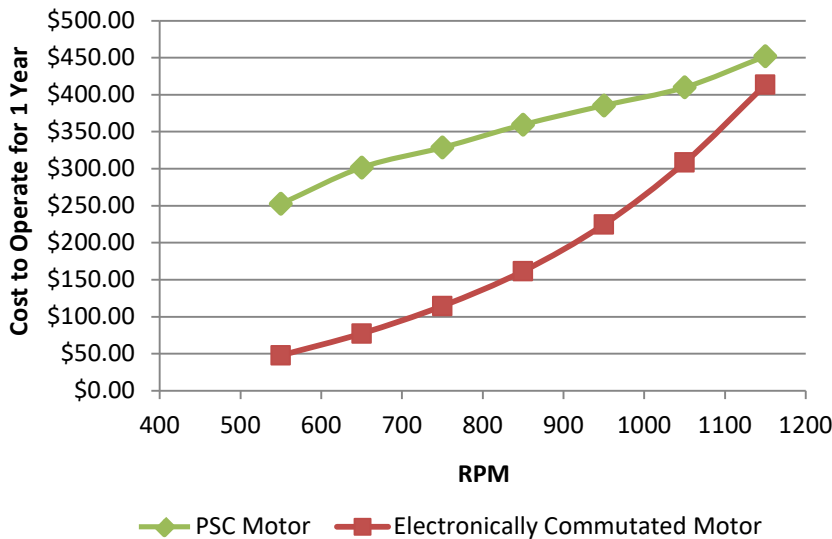


Features and Advantages

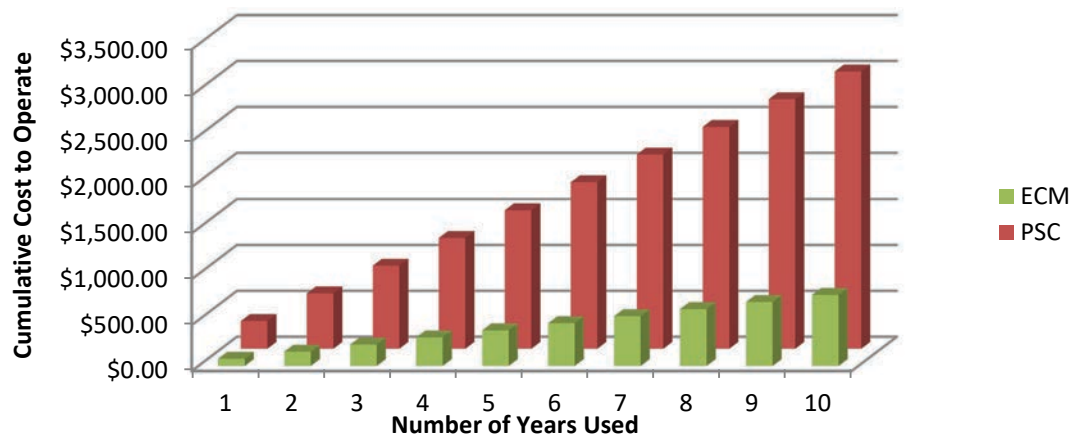
- Easy speed control by DC 0-10 V variation or EC style speed controller
- Motor has motor mounted potentiometer with digital readout for easy speed adjustment
- Unit can be controlled by a PC or building management system
- Motor has 80% usable turndown vs. 30% on a PSC motor
- Internal motor circuitry converts 115/230 V single phase AC power to DC voltage for increased efficiencies.
- Motor is 115/230 V and 50/60 Hz
- cULus 705 Listing

Energy Savings = \$ Savings

eRED with 1/2 HP Motor - Continuous Ventilation



Cost to Operate Motors @ 650 RPM Continuous Ventilation





Constant Pressure Control Options

Constant Pressure Controls: For constant pressure control applications, the S&P constant pressure control package is available. This package includes the components that are needed to complete a demand-based exhaust ventilation system for kitchens, bathrooms, and/or clothes dryer exhaust in multi-story buildings.

S&P recognized that the programming procedure for many constant pressure controls can be challenging, so this package is the simplest system available. The control box can be easily installed in the field, either mounted on a curb or inside the building. The backlit LCD display and pressure transducer are pre-programmed to work together to increase or reduce the speed of the fan to accommodate for the actual demand.

Potentiometer Shipped Loose: If a variable rate that is manually changed by the operator from the occupied space is desired, the potentiometer is shipped loose and field installed in the appropriate accessible location. Simply rotating the dial will vary the speed of the fan from 20% to 100% full speed.



Control Box



Sensor



Potentiometer



CONSTRUCTION/SPECIFICATION CHECKLIST

Housing

- Curb cap has integral deep spun inlet for efficient performance and prepunched mounting holes for ease of installation.
- Spun aluminum hood and skirt for weather protection and attractive appearance.
- Heavy-gauge motor support for rigidity and strength.
- Neoprene isolators for reduction of vibration and sound.
- Quick-Release latches on motor cover for easy access to motor compartment.
- Conduit passage for easy electrical connection from below roof.
- Aluminum birdscreen is standard.
- Stainless steel fasteners on exterior.

Centrifugal Wheel

- All aluminum wheel.
- Backward-inclined for efficiency at higher static pressure.
- Non-overloading for safe operation in ducted systems.
- Curved blades for efficiency and quiet operation.
- Dynamically balanced for smooth operation.

Speed Controllable Motors

- Brands are nationally recognized and locally serviced.
- Motors are single speed, speed controllable and drip-proof.
- All motors are rated for continuous duty.
- Disconnect is standard.
- Motors ship mounted as standard.

AMCA Seal

- Assures rating of Air and Sound performance.

UL Label

- UL 705 Listing assures electrical reliability.
- UL 705 must be specified when required.



PERFORMANCE

Sizes 6 & 7

Motor HP	RPM		Static Pressure in Inches w.g.						
			0	0.125	0.25	0.375	0.5	0.625	0.75
SDBD6C 1/10 HP 1550 RPM	900	CFM	99	53	-	-	-	-	-
		BHP	0.01	0.01	-	-	-	-	-
		Sones	2.2	1.8	-	-	-	-	-
	1050	CFM	116	78	-	-	-	-	-
		BHP	0.02	0.02	-	-	-	-	-
		Sones	3.3	2.8	-	-	-	-	-
	1200	CFM	133	97	60	-	-	-	-
		BHP	0.02	0.03	0.03	-	-	-	-
		Sones	4.5	4.1	4.1	-	-	-	-
	1350	CFM	149	116	88	-	-	-	-
		BHP	0.03	0.04	0.04	-	-	-	-
		Sones	5.6	5.1	5	-	-	-	-
	1500	CFM	166	134	111	80	-	-	-
		BHP	0.05	0.05	0.05	0.05	-	-	-
		Sones	6.5	6	5.9	5.9	-	-	-
	1650	CFM	182	153	131	107	71	-	-
		BHP	0.06	0.07	0.07	0.07	0.07	-	-
		Sones	7.4	7	6.9	6.8	6.9	-	-
SDBD6 1/10 HP 1550 RPM	900	CFM	192	91	-	-	-	-	
		BHP	0.01	0.01	-	-	-	-	-
		Sones	1.9	1.5	-	-	-	-	-
	1050	CFM	224	140	-	-	-	-	
		BHP	0.01	0.01	-	-	-	-	-
		Sones	2.9	2.6	-	-	-	-	-
	1200	CFM	256	183	97	-	-	-	
		BHP	0.02	0.02	0.02	-	-	-	-
		Sones	4	3.7	3.5	-	-	-	-
	1350	CFM	288	224	156	-	-	-	
		BHP	0.02	0.02	0.02	-	-	-	-
		Sones	5	4.7	4.5	-	-	-	-
	1500	CFM	319	262	202	133	-	-	
		BHP	0.03	0.03	0.03	0.03	-	-	-
		Sones	5.9	5.6	5.4	5.3	-	-	-
	1650	CFM	351	300	245	190	114	-	
		BHP	0.04	0.04	0.04	0.04	0.05	-	-
		Sones	6.8	6.5	6.4	6.3	6.2	-	-
SDBD7 1/10 HP 1550 RPM	900	CFM	259	168	-	-	-	-	
		BHP	0.01	0.02	-	-	-	-	-
		Sones	2.10	1.90	-	-	-	-	-
	1050	CFM	303	227	129	-	-	-	
		BHP	0.02	0.02	0.02	-	-	-	-
		Sones	3.10	2.70	3.00	-	-	-	-
	1200	CFM	346	281	204	97	-	-	
		BHP	0.03	0.03	0.04	0.04	-	-	-
		Sones	4.40	3.80	3.90	4.20	-	-	-
	1350	CFM	389	332	269	192	79	-	
		BHP	0.04	0.05	0.05	0.05	0.05	-	-
		Sones	5.50	5.00	5.00	5.20	5.50	-	-
	1500	CFM	432	382	326	264	191	79	
		BHP	0.06	0.06	0.07	0.07	0.07	0.07	-
		Sones	6.40	6.20	6.20	6.30	6.50	6.70	-
	1650	CFM	476	429	380	329	266	199	
		BHP	0.08	0.08	0.09	0.09	0.09	0.09	0.09
		Sones	7.30	7.20	7.10	7.20	7.30	7.50	7.70



S&P USA Ventilation Systems, LLC., Div. of Soler & Palau Ventilation Group, certifies that the Models SDBD shown herein are licensed to bear the AMCA Seal. The ratings shown are based on test and procedures performed in accordance with AMCA Publication 211 and AMCA Publication 311 and comply with the requirement of the AMCA Certified Ratings Program.



(1) Models SDBD6/SDBDe6 and SDBD6C/SDBDe6C have a choke plate.

Performance certified for installation type A-free inlet, free outlet. Performance ratings include the effects of birdscreen in the airstream.

The sound ratings shown are loudness values in fan sones @ 5' (1.5m) in a hemispherical free field calculated per AMCA Standard 301. Values shown are for Installation Type A: free inlet hemispherical sone levels.

Speed (RPM) shown is nominal. Performance is based on actual speed of test.

Fan RPM performances may vary from actual current motor offerings for any given model. See Optimizer2 fan selection software for current motor RPM offerings



Size 8

Motor HP	RPM		Static Pressure in Inches w.g.								
			0	0.125	0.25	0.375	0.5	0.625	0.75	0.875	
SDBD 1/25 HP 1050 RPM	700	CFM	361	187	-	-	-	-	-	-	-
		BHP	0.01	0.01	-	-	-	-	-	-	-
		Sones	2.3	1.5	-	-	-	-	-	-	-
	850	CFM	438	325	-	-	-	-	-	-	-
		BHP	0.01	0.01	-	-	-	-	-	-	-
		Sones	3.5	2.9	-	-	-	-	-	-	-
	1000	CFM	515	424	279	-	-	-	-	-	-
		BHP	0.02	0.02	0.02	-	-	-	-	-	-
		Sones	5	4.8	3.8	-	-	-	-	-	-
	1150	CFM	592	514	421	206	-	-	-	-	-
		BHP	0.03	0.03	0.03	0.03	-	-	-	-	-
		Sones	6.7	6.5	5.6	5	-	-	-	-	-
SDBD 1/10 HP 1550 RPM	1200	CFM	627	538	432	288	-	-	-	-	
		BHP	0.01	0.02	0.03	0.03	-	-	-	-	
		Sones	6	5.6	5.4	5	-	-	-	-	
	1250	CFM	653	568	470	348	-	-	-	-	
		BHP	0.01	0.02	0.03	0.04	-	-	-	-	
		Sones	6.5	6.1	5.9	5.5	-	-	-	-	
	1300	CFM	679	598	507	396	-	-	-	-	
		BHP	0.01	0.03	0.04	0.04	-	-	-	-	
		Sones	7.1	6.6	6.4	6.1	-	-	-	-	
	1350	CFM	705	627	543	437	284	-	-	-	
		BHP	0.02	0.03	0.04	0.04	0.04	-	-	-	
		Sones	7.6	7.1	6.9	6.6	6.3	-	-	-	
1400	CFM	731	657	576	476	351	-	-	-		
	BHP	0.02	0.03	0.04	0.05	0.05	-	-	-		
	Sones	8.2	7.7	7.4	7.2	6.8	-	-	-		
1450	CFM	757	687	609	514	409	-	-	-		
	BHP	0.02	0.04	0.05	0.05	0.06	-	-	-		
	Sones	8.8	8.3	7.9	7.8	7.4	-	-	-		
1500	CFM	783	716	640	552	456	304	-	-		
	BHP	0.02	0.04	0.05	0.06	0.06	0.05	-	-		
	Sones	9.5	8.9	8.5	8.4	8	7.7	-	-		
1550	CFM	809	746	672	589	497	373	-	-		
	BHP	0.03	0.04	0.05	0.06	0.07	0.07	-	-		
	Sones	10	9.3	8.9	8.9	8.5	8.2	-	-		
1600	CFM	835	775	702	626	537	434	265	-		
	BHP	0.03	0.04	0.05	0.07	0.07	0.08	0.06	-		
	Sones	10.4	9.8	9.3	9.3	9	8.7	8.4	-		
1650	CFM	862	804	733	662	576	485	343	-		
	BHP	0.03	0.05	0.06	0.08	0.08	0.08	0.07	-		
	Sones	10.9	10.3	9.7	9.7	9.5	9.2	8.9	-		
SDBD 1/4 HP 1625 RPM	1700	CFM	867	814	761	705	630	557	441	-	
		BHP	0.07	0.08	0.09	0.1	0.11	0.11	0.11	-	
		Sones	11	10.8	10.5	10.3	10	9.9	9.9	-	
1750	CFM	892	842	789	738	667	595	505	297		
	BHP	0.08	0.09	0.1	0.11	0.12	0.12	0.12	0.1		
	Sones	11.5	11.3	11.1	10.8	10.6	10.4	10.4	11		

SDBDe
1/3 HP
1750 RPM



S&P USA Ventilation Systems, LLC., Div. of Soler & Palau Ventilation Group, certifies that the Models SDBD shown herein are licensed to bear the AMCA Seal. The ratings shown are based on test and procedures performed in accordance with AMCA Publication 211 and AMCA Publication 311 and comply with the requirement of the AMCA Certified Ratings Program.



Performance certified is for installation type A-free inlet, free outlet. Performance ratings include the effects of birdscreen in the airstream.

The sound ratings shown are loudness values in fan sones @ 5' (1.5m) in a hemispherical free field calculated per AMCA Standard 301. Values shown are for Installation Type A: free inlet hemispherical sone levels.

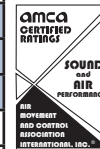
Speed (RPM) shown is nominal. Performance is based on actual speed of test.

Fan RPM performances may vary from actual current motor offerings for any given model. See Optimizer2 fan selection software for current motor RPM offerings



Size 10

Motor HP	RPM		Static Pressure in Inches w.g.									
			0	0.125	0.25	0.375	0.5	0.625	0.75	0.875	1	
SDBD 1/4 HP 1075 RPM	700	CFM	578	398	-	-	-	-	-	-	-	-
		BHP	0.01	0.02	-	-	-	-	-	-	-	-
		Sones	3.4	2.4	-	-	-	-	-	-	-	-
	850	CFM	701	559	-	-	-	-	-	-	-	-
		BHP	0.02	0.03	-	-	-	-	-	-	-	-
		Sones	5	4	-	-	-	-	-	-	-	-
	1000	CFM	825	705	575	-	-	-	-	-	-	-
		BHP	0.04	0.05	0.06	-	-	-	-	-	-	-
		Sones	6.7	5.7	5.4	-	-	-	-	-	-	-
	1150	CFM	949	847	738	607	419	-	-	-	-	-
		BHP	0.06	0.08	0.08	0.09	0.09	-	-	-	-	-
		Sones	8.6	7.6	7.1	7.1	7.1	-	-	-	-	-
SDBDe 1/3 HP 1750 RPM	1200	CFM	951	857	748	624	458	-	-	-	-	
		BHP	0.07	0.08	0.08	0.09	0.09	-	-	-	-	
		Sones	7.3	6.8	5.9	5.1	5.2	-	-	-	-	
	1250	CFM	991	900	796	682	541	-	-	-	-	
		BHP	0.08	0.08	0.09	0.09	0.1	-	-	-	-	
		Sones	7.9	7.4	6.6	5.5	5.6	-	-	-	-	
	1300	CFM	1031	944	844	739	613	424	-	-	-	
		BHP	0.09	0.09	0.1	0.1	0.11	0.11	-	-	-	
		Sones	8.5	8	7.4	6	6	6.2	-	-	-	
	1350	CFM	1070	987	892	793	677	527	-	-	-	
		BHP	0.1	0.1	0.11	0.12	0.12	0.12	-	-	-	
		Sones	9.1	8.6	8.1	6.7	6.4	6.5	-	-	-	
1400	CFM	1110	1030	939	846	738	609	402	-	-		
	BHP	0.11	0.12	0.12	0.13	0.13	0.14	0.13	-	-		
	Sones	9.7	9.2	8.8	7.5	6.8	6.9	7.1	-	-		
1450	CFM	1150	1072	986	896	796	680	522	-	-		
	BHP	0.12	0.13	0.14	0.14	0.15	0.15	0.15	-	-		
	Sones	10.3	9.8	9.4	8.2	7.2	7.3	7.5	-	-		
1500	CFM	1189	1115	1033	946	852	745	614	398	-		
	BHP	0.13	0.14	0.15	0.15	0.16	0.17	0.17	0.16	-		
	Sones	11	10.5	10.1	9.1	7.8	7.8	7.9	8.1	-		
1550	CFM	1229	1157	1079	994	906	806	691	529	-		
	BHP	0.15	0.16	0.16	0.17	0.17	0.18	0.19	0.18	-		
	Sones	11.5	11	10.6	9.8	8.4	8	8.2	8.4	-		
1600	CFM	1269	1199	1125	1042	959	865	761	628	414		
	BHP	0.16	0.17	0.18	0.18	0.19	0.2	0.2	0.2	0.19		
	Sones	12	11.6	11.1	10.5	9.1	8.3	8.4	8.7	8.9		
1650	CFM	1308	1241	1170	1089	1011	922	824	710	550		
	BHP	0.18	0.19	0.2	0.2	0.21	0.22	0.22	0.22	0.22		
	Sones	12.6	12.1	11.7	11.2	9.8	8.6	8.8	9	9.1		
1700	CFM	1348	1282	1214	1137	1060	977	886	783	653		
	BHP	0.19	0.2	0.21	0.22	0.22	0.23	0.24	0.24	0.24		
	Sones	13.1	12.6	12.2	11.8	10.5	9.3	9.1	9.2	9.4		



S&P USA Ventilation Systems, LLC., Div. of Soler & Palau Ventilation Group, certifies that the Models SDBD shown herein are licensed to bear the AMCA Seal. The ratings shown are based on test and procedures performed in accordance with AMCA Publication 211 and AMCA Publication 311 and comply with the requirement of the AMCA Certified Ratings Program.



Performance certified is for installation type A-free inlet, free outlet. Performance ratings include the effects of birdscreen in the airstream.

The sound ratings shown are loudness values in fan sones @ 5' (1.5m) in a hemispherical free field calculated per AMCA Standard 301. Values shown are for Installation Type A: free inlet hemispherical sone levels.

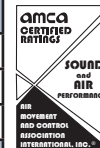
Speed (RPM) shown is nominal. Performance is based on actual speed of test.

Fan RPM performances may vary from actual current motor offerings for any given model. See Optimizer2 fan selection software for current motor RPM offerings



Size 12

Motor HP	RPM		Static Pressure in Inches w.g.										
			0	0.125	0.25	0.375	0.5	0.625	0.75	0.875	1	1.25	
SDBD 1/4 HP 1075 RPM	900	CFM	1000	856	673	-	-	-	-	-	-	-	-
		BHP	0.06	0.07	0.07	-	-	-	-	-	-	-	-
		Sones	6.0	5.4	4.9	-	-	-	-	-	-	-	-
	950	CFM	1055	920	756	479	-	-	-	-	-	-	-
		BHP	0.07	0.08	0.09	0.09	-	-	-	-	-	-	-
		Sones	6.6	6.0	5.5	5.3	-	-	-	-	-	-	-
	1000	CFM	1111	984	830	626	-	-	-	-	-	-	-
		BHP	0.08	0.09	0.10	0.10	-	-	-	-	-	-	-
		Sones	7.2	6.6	6.1	5.9	-	-	-	-	-	-	-
	1050	CFM	1167	1047	902	728	-	-	-	-	-	-	-
		BHP	0.10	0.11	0.11	0.12	-	-	-	-	-	-	-
		Sones	7.8	7.2	6.7	6.4	-	-	-	-	-	-	-
	1100	CFM	1222	1110	975	821	564	-	-	-	-	-	-
		BHP	0.11	0.12	0.13	0.13	0.13	-	-	-	-	-	-
		Sones	8.4	7.9	7.3	7.0	6.9	-	-	-	-	-	-
	1150	CFM	1281	1176	1050	909	719	-	-	-	-	-	-
		BHP	0.13	0.14	0.15	0.15	0.16	-	-	-	-	-	-
		Sones	9.1	8.5	8.0	7.5	7.5	-	-	-	-	-	-
SDBD 1/2 HP 1625 RPM	1200	CFM	1331	1223	1108	971	805	524	-	-	-	-	-
		BHP	0.10	0.12	0.13	0.14	0.14	0.14	-	-	-	-	-
		Sones	9.0	8.6	8.3	8.0	8.0	8.0	-	-	-	-	-
	1250	CFM	1386	1284	1174	1047	897	702	-	-	-	-	-
		BHP	0.11	0.13	0.14	0.15	0.16	0.16	-	-	-	-	-
		Sones	9.6	9.2	8.9	8.6	8.5	8.6	-	-	-	-	-
	1300	CFM	1442	1343	1239	1121	983	822	514	-	-	-	-
		BHP	0.13	0.15	0.16	0.17	0.18	0.18	0.17	-	-	-	-
		Sones	10.3	9.9	9.6	9.3	9.0	9.1	9.2	-	-	-	-
	1350	CFM	1497	1403	1302	1193	1065	916	707	-	-	-	-
		BHP	0.14	0.16	0.18	0.19	0.20	0.20	0.20	-	-	-	-
		Sones	10.9	10.5	10.2	10.0	9.6	9.7	9.8	-	-	-	-
	1400	CFM	1553	1462	1365	1263	1143	1007	850	539	-	-	-
		BHP	0.16	0.18	0.20	0.21	0.22	0.23	0.23	0.21	-	-	-
		Sones	11.6	11.2	10.9	10.6	10.3	10.3	10.4	10.5	-	-	-
	1450	CFM	1608	1521	1427	1331	1219	1093	949	735	-	-	-
		BHP	0.18	0.20	0.22	0.23	0.24	0.25	0.25	0.25	-	-	-
		Sones	12.3	11.9	11.6	11.3	11.0	10.8	10.9	11.1	-	-	-
1500	CFM	1664	1580	1489	1398	1293	1175	1043	890	589	-	-	
	BHP	0.20	0.22	0.24	0.25	0.26	0.27	0.28	0.28	0.26	-	-	
	Sones	13.0	12.6	12.3	12.0	11.7	11.5	11.6	11.7	11.8	-	-	
1550	CFM	1719	1638	1551	1464	1365	1254	1132	995	785	-	-	
	BHP	0.22	0.24	0.26	0.28	0.29	0.30	0.31	0.31	0.30	-	-	
	Sones	13.7	13.3	12.9	12.7	12.4	12.1	12.1	12.2	12.3	-	-	
1600	CFM	1774	1696	1612	1529	1435	1331	1217	1089	942	-	-	
	BHP	0.24	0.26	0.28	0.30	0.31	0.32	0.33	0.34	0.34	-	-	
	Sones	14.4	14.0	13.6	13.3	13.0	12.8	12.6	12.7	12.8	-	-	
1650	CFM	1830	1754	1673	1592	1504	1406	1298	1180	1051	-	-	
	BHP	0.26	0.28	0.31	0.33	0.34	0.35	0.36	0.37	0.37	-	-	
	Sones	15.1	14.7	14.3	14.0	13.7	13.4	13.2	13.2	13.3	-	-	
1700	CFM	1885	1812	1734	1653	1572	1479	1377	1267	1144	753	-	
	BHP	0.29	0.31	0.33	0.35	0.37	0.38	0.39	0.40	0.40	0.39	-	
	Sones	15.9	15.4	15.0	14.7	14.4	14.1	13.8	13.7	13.9	14.1	-	



S&P USA Ventilation Systems, LLC., Div. of Soler & Palau Ventilation Group, certifies that the Models SDBD shown herein are licensed to bear the AMCA Seal. The ratings shown are based on test and procedures performed in accordance with AMCA Publication 211 and AMCA Publication 311 and comply with the requirement of the AMCA Certified Ratings Program.



Performance certified is for installation type A-free inlet, free outlet. Performance ratings include the effects of birdscreen in the airstream.

The sound ratings shown are loudness values in fan sones @ 5' (1.5m) in a hemispherical free field calculated per AMCA Standard 301. Values shown are for Installation Type A: free inlet hemispherical sone levels.

Speed (RPM) shown is nominal. Performance is based on actual speed of test.

Fan RPM performances may vary from actual current motor offerings for any given model. See Optisizer2 fan selection software for current motor RPM offerings.



Size 14

Motor HP	RPM		Static Pressure in Inches w.g.											
			0	0.125	0.25	0.375	0.5	0.625	0.75	0.875	1	1.25	1.5	
SDBD 1/4 HP 1075 RPM	750	CFM	1511	1269	942	-	-	-	-	-	-	-	-	-
		BHP	0.07	0.08	0.08	-	-	-	-	-	-	-	-	-
		Sones	6.5	5.7	4.6	-	-	-	-	-	-	-	-	-
	800	CFM	1612	1387	1103	-	-	-	-	-	-	-	-	-
		BHP	0.08	0.09	0.10	-	-	-	-	-	-	-	-	-
		Sones	7.3	6.5	5.3	-	-	-	-	-	-	-	-	-
	850	CFM	1712	1503	1252	892	-	-	-	-	-	-	-	-
		BHP	0.10	0.11	0.12	0.12	-	-	-	-	-	-	-	-
		Sones	8.2	7.4	6.2	5.7	-	-	-	-	-	-	-	-
	900	CFM	1813	1617	1393	1093	-	-	-	-	-	-	-	-
		BHP	0.12	0.13	0.14	0.15	-	-	-	-	-	-	-	-
		Sones	9.0	8.3	7.2	6.5	-	-	-	-	-	-	-	-
	950	CFM	1914	1731	1524	1256	858	-	-	-	-	-	-	-
		BHP	0.14	0.15	0.17	0.17	0.16	-	-	-	-	-	-	-
		Sones	9.9	9.2	8.2	7.2	7.0	-	-	-	-	-	-	-
	1000	CFM	2015	1845	1649	1412	1116	-	-	-	-	-	-	-
		BHP	0.16	0.18	0.19	0.20	0.20	-	-	-	-	-	-	-
		Sones	11.0	10.2	9.4	8.0	7.8	-	-	-	-	-	-	-
1050	CFM	2115	1958	1769	1560	1298	884	-	-	-	-	-	-	
	BHP	0.18	0.20	0.22	0.23	0.23	0.22	-	-	-	-	-	-	
	Sones	12.0	11.3	10.5	9.1	8.6	8.4	-	-	-	-	-	-	
1100	CFM	2196	2047	1864	1673	1428	1115	-	-	-	-	-	-	
	BHP	0.21	0.23	0.24	0.25	0.26	0.25	-	-	-	-	-	-	
	Sones	13.0	12.3	11.6	10.2	9.4	9.2	-	-	-	-	-	-	
SDBD 3/4 HP 1650 RPM	1,150	CFM	2285	2164	2042	1894	1732	1562	1306	-	-	-	-	
		BHP	0.25	0.28	0.31	0.33	0.36	0.37	0.37	-	-	-	-	
		Sones	12.2	11.6	11.2	10.7	10.2	9.7	10.4	-	-	-	-	
	1,200	CFM	2384	2268	2152	2018	1862	1708	1508	1207	-	-	-	
		BHP	0.28	0.31	0.34	0.37	0.40	0.42	0.43	0.40	-	-	-	
		Sones	13.1	12.5	12.1	11.7	11.2	10.6	10.8	11.7	-	-	-	
	1,250	CFM	2484	2372	2262	2138	1990	1842	1680	1437	-	-	-	
		BHP	0.32	0.35	0.38	0.41	0.44	0.46	0.48	0.47	-	-	-	
		Sones	13.8	13.3	13.0	12.7	12.2	11.6	11.1	12.0	-	-	-	
	1,300	CFM	2583	2476	2370	2255	2117	1974	1830	1643	1393	-	-	
		BHP	0.36	0.39	0.42	0.46	0.49	0.51	0.53	0.54	0.52	-	-	
		Sones	14.7	14.2	14.0	13.7	13.2	12.6	12.2	12.3	13.2	-	-	
	1,350	CFM	2682	2579	2477	2369	2242	2104	1967	1814	1597	-	-	
		BHP	0.40	0.44	0.47	0.50	0.54	0.57	0.59	0.60	0.60	-	-	
		Sones	15.6	15.2	14.9	14.7	14.2	13.7	13.1	12.7	13.5	-	-	
	1,400	CFM	2782	2682	2584	2482	2365	2231	2099	1965	1794	-	-	
		BHP	0.45	0.48	0.52	0.55	0.59	0.62	0.65	0.66	0.68	-	-	
		Sones	16.8	16.2	15.9	15.7	15.4	14.8	14.2	13.7	13.8	-	-	
1,450	CFM	2881	2785	2690	2593	2485	2358	2230	2103	1961	1540	-		
	BHP	0.50	0.53	0.57	0.61	0.64	0.68	0.71	0.73	0.75	0.72	-		
	Sones	17.9	17.3	17.0	16.7	16.5	15.9	15.4	14.9	14.3	16.0	-		
1,500	CFM	2980	2887	2796	2703	2601	2483	2358	2235	2110	1744	-		
	BHP	0.55	0.59	0.63	0.66	0.70	0.74	0.77	0.80	0.82	0.82	-		
	Sones	19.0	18.4	18.0	17.8	17.6	17.1	16.5	16.0	15.5	16.3	-		
1,550	CFM	3080	2990	2901	2812	2716	2607	2485	2367	2247	1950	-		
	BHP	0.61	0.65	0.69	0.72	0.76	0.80	0.84	0.87	0.89	0.92	-		
	Sones	20.2	19.6	19.0	18.7	18.4	18.0	17.5	16.9	16.4	16.4	-		
1,600	CFM	3179	3092	3006	2920	2829	2728	2612	2496	2380	2125	1744		
	BHP	0.67	0.71	0.75	0.79	0.83	0.87	0.91	0.94	0.97	1.01	0.98		
	Sones	21.4	20.8	20.2	19.6	19.4	19.2	18.6	18.0	17.5	16.7	18.4		
1,650	CFM	3278	3194	3110	3027	2940	2846	2737	2623	2512	2280	1941		
	BHP	0.73	0.78	0.82	0.86	0.90	0.94	0.98	1.02	1.05	1.09	1.10		
	Sones	22.6	21.9	21.3	20.8	20.3	20.1	19.5	19.0	18.4	17.4	18.5		
1,725	CFM	3507	3432	3345	3245	3137	3025	2911	2802	2683	2401	2014		
	BHP	0.64	0.67	0.69	0.72	0.75	0.78	0.81	0.84	0.86	0.89	0.88		
	Sones	23.1	22.5	21.9	21.3	20.8	20.3	19.8	19.3	18.8	18.1	17.6		



S&P USA Ventilation Systems, LLC., Div. of Soler & Palau Ventilation Group, certifies that the Models SDBD shown herein are licensed to bear the AMCA Seal. The ratings shown are based on test and procedures performed in accordance with AMCA Publication 211 and AMCA Publication 311 and comply with the requirement of the AMCA Certified Ratings Program.



Performance certified is for installation type A-free inlet, free outlet. Performance ratings include the effects of birdscreen in the airstream.

The sound ratings shown are loudness values in fan sones @ 5' (1.5m) in a hemispherical free field calculated per AMCA Standard 301. Values shown are for Installation Type A: free inlet hemispherical sone levels.

Speed (RPM) shown is nominal. Performance is based on actual speed of test.

Fan RPM performances may vary from actual current motor offerings for any given model. See Optimizer2 fan selection software for current motor RPM offerings.

Numbers shown in **bold font** are only achievable by the SDBDe 1 HP model with EC motor.



Size 15

Motor HP	RPM		Static Pressure in Inches w.g.												
			0	0.125	0.25	0.375	0.5	0.625	0.75	0.875	1	1.25	1.5	1.75	
SDBD 1/2 HP 1150 RPM	750	CFM	1748	1556	1282	779	-	-	-	-	-	-	-	-	-
		BHP	0.08	0.09	0.10	0.10	-	-	-	-	-	-	-	-	-
		Sones	7.4	6.9	6.2	5.6	-	-	-	-	-	-	-	-	-
	800	CFM	1865	1688	1445	1140	-	-	-	-	-	-	-	-	-
		BHP	0.10	0.11	0.12	0.13	-	-	-	-	-	-	-	-	-
		Sones	8.3	7.7	7.1	6.4	-	-	-	-	-	-	-	-	-
	850	CFM	1981	1816	1601	1334	-	-	-	-	-	-	-	-	-
		BHP	0.11	0.13	0.15	0.16	-	-	-	-	-	-	-	-	-
		Sones	9.2	8.6	8.2	7.3	-	-	-	-	-	-	-	-	-
	900	CFM	2098	1943	1751	1508	1199	-	-	-	-	-	-	-	-
		BHP	0.14	0.16	0.17	0.18	0.19	-	-	-	-	-	-	-	-
		Sones	10.1	9.5	9.3	8.3	7.8	-	-	-	-	-	-	-	-
	950	CFM	2214	2068	1896	1674	1419	-	-	-	-	-	-	-	-
		BHP	0.16	0.18	0.20	0.21	0.22	-	-	-	-	-	-	-	-
		Sones	11.1	10.5	10.3	9.5	8.6	-	-	-	-	-	-	-	-
	1000	CFM	2331	2192	2035	1833	1606	1301	-	-	-	-	-	-	-
		BHP	0.19	0.21	0.23	0.24	0.25	0.25	-	-	-	-	-	-	-
		Sones	12.2	11.5	11.3	10.7	9.8	9.4	-	-	-	-	-	-	-
1050	CFM	2447	2315	2172	1988	1778	1537	-	-	-	-	-	-	-	
	BHP	0.21	0.24	0.26	0.27	0.29	0.30	-	-	-	-	-	-	-	
	Sones	13.2	12.6	12.3	11.9	11.0	10.2	-	-	-	-	-	-	-	
1100	CFM	2564	2438	2305	2138	1943	1732	1454	-	-	-	-	-	-	
	BHP	0.25	0.27	0.29	0.31	0.33	0.34	0.34	-	-	-	-	-	-	
	Sones	14.4	13.6	13.4	13.2	12.3	11.5	11.1	-	-	-	-	-	-	
1150	CFM	2685	2565	2440	2289	2109	1913	1690	1260	-	-	-	-	-	
	BHP	0.28	0.31	0.33	0.35	0.37	0.38	0.39	0.38	-	-	-	-	-	
	Sones	15.6	14.8	14.6	14.4	13.6	12.7	12.0	12.0	-	-	-	-	-	
SDBD 3/4 HP 1650 RPM	1450	CFM	2774	2665	2547	2439	2321	2187	2058	1912	1757	1657	-	-	
		BHP	0.44	0.47	0.50	0.52	0.55	0.58	0.60	0.61	0.62	0.63	-	-	
		Sones	18.9	18.3	17.7	17.2	16.7	16.2	15.8	15.9	16.1	16.6	-	-	
	1500	CFM	2869	2764	2651	2545	2436	2307	2183	2050	1900	1700	-	-	
		BHP	0.49	0.52	0.55	0.57	0.60	0.63	0.65	0.67	0.68	0.69	-	-	
		Sones	20.1	19.4	18.8	18.2	17.7	17.3	16.9	16.8	17.0	17.4	-	-	
	1550	CFM	2965	2863	2754	2649	2549	2427	2304	2182	2044	1744	1517	-	
		BHP	0.54	0.57	0.60	0.63	0.66	0.69	0.71	0.73	0.75	0.77	0.76	-	
		Sones	21.0	20.4	19.8	19.2	18.6	18.1	17.7	17.4	17.5	17.9	18.4	-	
	1600	CFM	3061	2962	2857	2754	2657	2546	2424	-	-	-	-	-	
		BHP	0.59	0.63	0.66	0.68	0.72	0.75	0.77	-	-	-	-	-	
		Sones	21.9	21.3	20.8	20.2	19.7	19.2	18.7	-	-	-	-	-	
1650	CFM	3156	3061	2960	2857	2765	-	-	-	-	-	-	-		
	BHP	0.65	0.68	0.72	0.74	0.78	-	-	-	-	-	-	-		
	Sones	22.8	22.2	21.7	21.1	20.6	-	-	-	-	-	-	-		
SDBD 1-1/2 HP 1725 RPM	1750	CFM	4083	4005	3920	3825	3723	3622	3523	3421	3308	3068	2810	2508	
		BHP	0.82	0.85	0.89	0.92	0.96	0.99	1.03	1.06	1.09	1.15	1.19	1.22	
		Sones	22.2	21.9	21.5	21.1	20.7	20.5	20.6	20.6	20.6	20.7	20.9	21.1	

Performance certified is for installation type A-free inlet, free outlet. Performance ratings include the effects of birdscreen in the airstream.

The sound ratings shown are loudness values in fan sones @ 5' (1.5m) in a hemispherical free field calculated per AMCA Standard 301. Values shown are for Installation Type A: free inlet hemispherical sone levels.

Speed (RPM) shown is nominal. Performance is based on actual speed of test.

Fan RPM performances may vary from actual current motor offerings for any given model. See Optimizer2 fan selection software for current motor RPM offerings



S&P USA Ventilation Systems, LLC, Div. of Soler & Palau Ventilation Group, certifies that the Models SDBD shown herein are licensed to bear the AMCA Seal. The ratings shown are based on test and procedures performed in accordance with AMCA Publication 211 and AMCA Publication 311 and comply with the requirement of the AMCA Certified Ratings Program.





Size 16

Motor HP	RPM		Static Pressure in Inches w.g.												
			0	0.125	0.25	0.375	0.5	0.625	0.75	0.875	1	1.25	1.5	1.75	
SDBD 1/2 HP 1150	750	CFM	2172	1945	1680	1317	-	-	-	-	-	-	-	-	-
		BHP	0.11	0.13	0.13	0.14	-	-	-	-	-	-	-	-	-
		Sones	8.6	8.1	7.4	6.7	-	-	-	-	-	-	-	-	-
	800	CFM	2316	2105	1864	1555	-	-	-	-	-	-	-	-	-
		BHP	0.13	0.15	0.16	0.17	-	-	-	-	-	-	-	-	-
		Sones	9.6	9.1	8.5	7.9	-	-	-	-	-	-	-	-	-
	850	CFM	2461	2263	2039	1776	1424	-	-	-	-	-	-	-	-
		BHP	0.16	0.18	0.19	0.20	0.20	-	-	-	-	-	-	-	-
		Sones	10.6	10.1	9.6	9.1	8.3	-	-	-	-	-	-	-	-
	900	CFM	2606	2419	2212	1984	1682	-	-	-	-	-	-	-	-
		BHP	0.19	0.21	0.23	0.23	0.24	-	-	-	-	-	-	-	-
		Sones	11.7	11.2	10.7	10.3	9.5	-	-	-	-	-	-	-	-
	950	CFM	2751	2574	2383	2175	1913	1590	-	-	-	-	-	-	-
		BHP	0.22	0.24	0.26	0.27	0.28	0.28	-	-	-	-	-	-	-
		Sones	12.8	12.4	12.0	11.4	11.0	10.1	-	-	-	-	-	-	-
	1000	CFM	2896	2727	2551	2354	2129	1849	-	-	-	-	-	-	-
		BHP	0.25	0.28	0.30	0.32	0.33	0.33	-	-	-	-	-	-	-
		Sones	13.9	13.5	13.2	12.7	12.3	11.5	-	-	-	-	-	-	-
	1050	CFM	3040	2880	2716	2527	2334	2085	1802	-	-	-	-	-	-
		BHP	0.29	0.32	0.34	0.36	0.37	0.38	0.38	-	-	-	-	-	-
		Sones	15.1	14.7	14.4	14.0	13.6	13.1	12.1	-	-	-	-	-	-
	1100	CFM	3185	3032	2877	2701	2523	2304	2048	-	-	-	-	-	-
		BHP	0.34	0.36	0.39	0.41	0.42	0.44	0.44	-	-	-	-	-	-
		Sones	16.4	16.0	15.7	15.3	14.9	14.6	13.7	-	-	-	-	-	-
1150	CFM	3298	3150	3002	2835	2663	2468	2234	1975	-	-	-	-	-	
	BHP	0.37	0.40	0.43	0.45	0.47	0.48	0.49	0.49	-	-	-	-	-	
	Sones	17.7	17.3	17.0	16.6	16.3	15.9	15.4	14.3	-	-	-	-	-	
SDBD 1-1/2 HP 1725 RPM	1750	CFM	4984	4896	4804	4705	4601	4493	4383	4271	4155	3911	3636	3305	
		BHP	1.16	1.20	1.24	1.28	1.32	1.36	1.39	1.42	1.45	1.53	1.59	1.63	
		Sones	31.7	31.4	31.1	30.9	30.7	30.7	30.4	29.8	29.2	28.1	27.2	26.7	

Performance certified is for installation type A-free inlet, free outlet. Performance ratings include the effects of birdscreen in the airstream.

The sound ratings shown are loudness values in fan sones @ 5' (1.5m) in a hemispherical free field calculated per AMCA Standard 301. Values shown are for Installation Type A: free inlet hemispherical sone levels.

Speed (RPM) shown is nominal. Performance is based on actual speed of test.

Fan RPM performances may vary from actual current motor offerings for any given model. See Optimizer2 fan selection software for current motor RPM offerings



S&P USA Ventilation Systems, LLC., Div. of Soler & Palau Ventilation Group, certifies that the Models SDBD shown herein are licensed to bear the AMCA Seal. The ratings shown are based on test and procedures performed in accordance with AMCA Publication 211 and AMCA Publication 311 and comply with the requirement of the AMCA Certified Ratings Program.





MODEL SDB

BELT DRIVE CENTRIFUGAL DOWNBLAST ROOF EXHAUSTERS

MODEL SDB - BELT DRIVE CENTRIFUGAL ROOF EXHAUSTER




MODEL FEATURES

- Exhaust air up to 8,098 CFM in high static pressure applications up to 1-3/4 w.g.
- Attractive spun aluminum exterior
- Belt drives permit easy performance adjustments when needed
- Curved non-overloading backward inclined wheel for efficiency at higher static pressures
- AMCA Air and Sound Licensed
- cULus 705 Listed

MODEL OVERVIEW

Model SDB belt drive fans are designed to exhaust air up to 8,098 CFM in high static pressure applications to 1-3/4". The aluminum exterior provides an attractive appearance. Belt drive results in lower operating RPM and sound levels, making the Model SDB well suited to applications where quiet operation is important. Belt drive also permits easy performance adjustments when needed to balance the total ventilation system. The non-overloading backward inclined wheel with its higher static pressure capability makes this unit suitable for either ducted or non-ducted applications. Its roof mounting permits location near the area to be ventilated, allowing short duct runs and more efficient operation.

SDBs are primarily used for the exhaust of relatively clean air from a wide range of commercial, industrial and institutional environments such as manufacturing and assembly plants, office buildings, schools, hospitals, restaurants, athletic facilities and many others.



Model SDB is available in our Quickship program. Sizes 6-22 are available for next day, 3-day or 10-day shipping from stock.

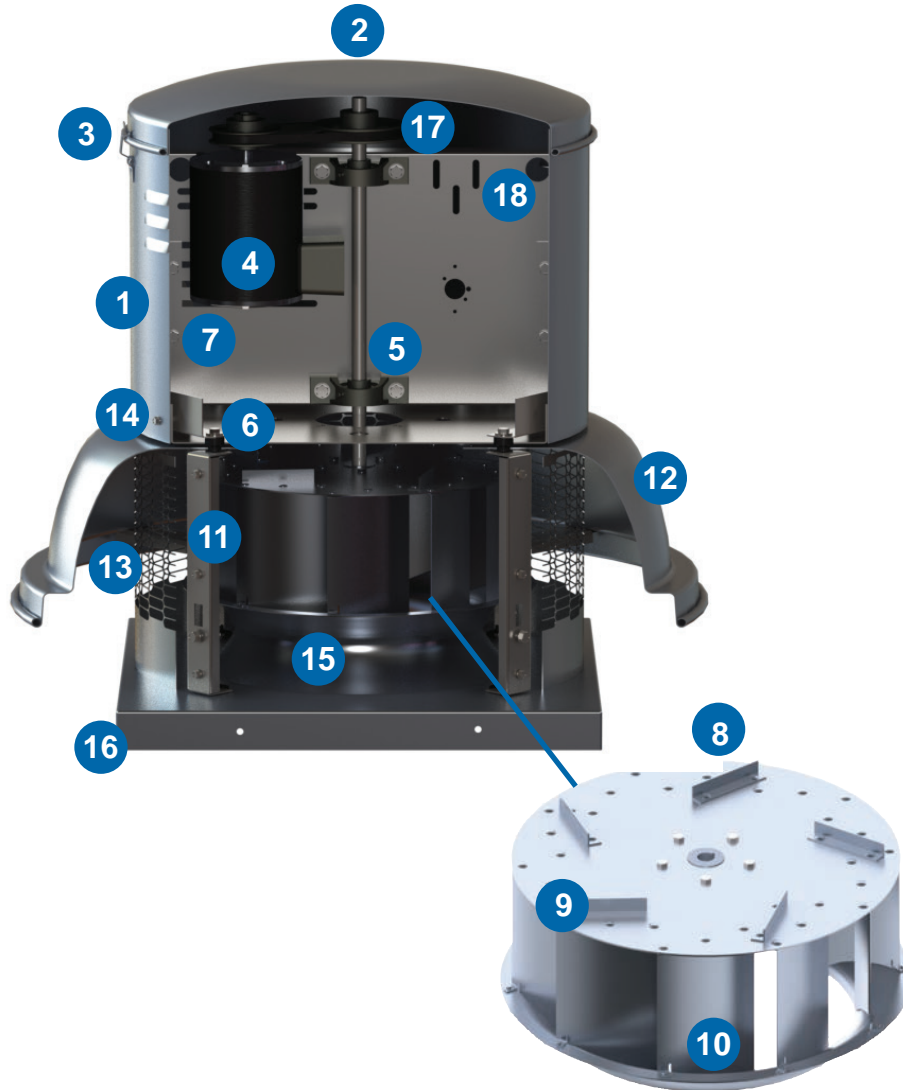
Industry best 5 year fan housing warranty, 1 year motor warranty



SDB Model Overview & Construction Features

Model SDB - Belt Drive

Size Range	6, 7, 8, 10, 12, 14, 15, 16, 18, 20 & 22
Motor HP Range	1/4 to 2
CFM Range	41 to 8098
Static Pressure	up to 1-3/4 in. w.g.
Warranty	5 years



Applications

General Purpose Exhaust - Clean Air

- Bathrooms
- Garages
- General (non-grease) Kitchen Areas
- Offices
- Dormitories
- Manufacturing and Assembly plants
- Warehouse
- Places of Worship
- Schools
- Many More



Downblast Model Overview & Construction Features

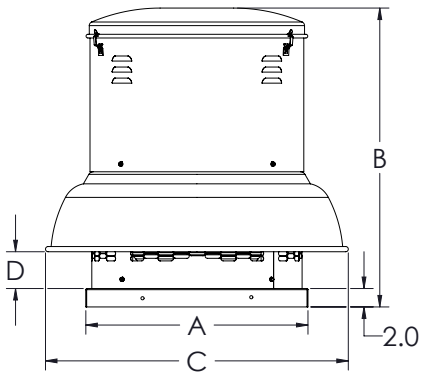
#	Feature	Description
1	Motor Cover	Heavy-gauge aluminum motor cover provides weather protection for motor compartment.
2	Motor Cover Cap	Heavy-gauge aluminum top with rolled bead for added strength and quick-release latches.
3	Quick-Release Latches	Stainless steel latches for easy removal of motor cover cap for access to the motor compartment and motor.
4	Motor	Open drip-proof enclosure standard, many other options available.
5	Bearings	Air handling ball bearing type with cast iron housing and grease fittings.
6	Vibration Isolators	Neoprene (rubber) vibration isolators to reduce vibration and noise.
7	Motor Mounting Plate	Heavy-gauge galvanized motor mounting plate.
8	Wheel	Aluminum, non-overloading, backward-inclined curved centrifugal wheel for maximum efficiency. Each wheel is dynamically balanced for smooth operation and long life.
9	Cooling Vanes	Helps promote cooling of the motor and drive by pulling air through the motor compartment. Helps maximize the life of the motor and drives.
10	Curved Blades	Designed to provide more CFM per HP and lower sound levels.
11	Support Legs	4 heavy-gauge galvanized support legs to anchor the motor plate to the fan base for stability and vibration reduction.
12	Fan Skirt	Aluminum fan skirt with rolled bead for extra strength. Fan skirt directs the exhausted air downward.
13	Birdscreen	Aluminum birdscreen standard to protect the fan from birds and other large objects.
14	Exterior Fasteners	Stainless steel.
15	Inlet Venturi	Deep spun single piece inlet venturi for optimum air and sound performance
16	Curb Cap	Fully welded curb cap for rigidity and weather protection. Pre-punched mounting holes for ease of installation.
17	Drives	Sized for 150% of drive HP, adjustable pitch motor sheaves.
18	Lifting Lugs	Standard on all belt drive models, SDB, for easy and safe placement of the fan on roof.
19	Disconnect Switch (not shown)	Standard with ODP and TE single speed motors. Ships loose.



DIMENSIONS

Dimensions in Inches

Model SDB: Belt Drive Centrifugal Downblast

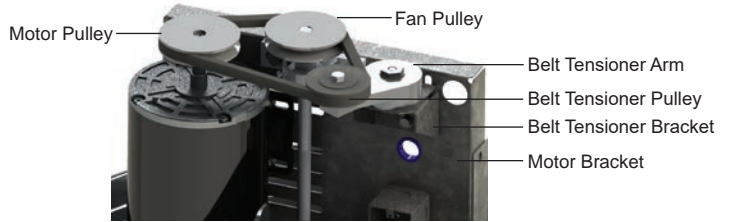


Size	A	B	C	D	Roof Opening	Curb O.D.	Damper (O.D.)	Average Ship Wt. Lbs.
6	18.13	30.10	25.00	3.40	13 1/2	16 1/2	12	109
7	18.13	30.10	25.00	3.40	13 1/2	16 1/2	12	109
8	18.13	30.10	25.00	3.40	13 1/2	16 1/2	12	109
10	18.13	30.10	25.00	3.40	13 1/2	16 1/2	12	109
12	20.13	31.70	27.50	3.90	15 1/2	18 1/2	14	122
14	20.13	31.70	27.50	3.90	15 1/2	18 1/2	14	126
15	24.13	32.50	32.90	4.00	19 1/2	22 1/2	18	140
16	24.13	32.50	32.90	4.00	19 1/2	22 1/2	18	140
18	30.16	36.40	39.20	4.60	22 1/5	28 1/2	24	111
20	30.16	38.30	45.00	6.10	22 1/5	28 1/2	24	138
22	30.16	38.30	45.00	6.10	22 1/5	28 1/2	24	140

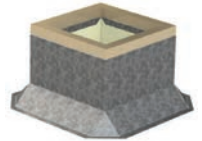


OPTIONS/ACCESSORIES

Automatic Belt Tensioner (SDB): Available on sizes 6-16, The Automatic Belt Tensioners eliminate the need for regular manual retensioning of drives, and the risk of inadvertently over-tensioning drive components is avoided and overall drive operating efficiency is enhanced. Benefits include reduction in startup and maintenance costs, increased belt life, increased drive efficiency, and ensure drive components do not snag obstructions.



Roof Curb: Prefabricated heavy-gauge galvanized steel, welded construction, 12" high (other heights are also available) with 1-1/2" wood nailer. Assures perfect fit of exhauster to roof opening. Options include burglar bars, single or double pitch construction and hinged curbs for easy duct access.



Sound Curb: Option of thermal acoustical lining or a complete maximum sound attenuating baffle system. Provision for mounting damper is available. Contact factory for information regarding effect on exhauster air performance and sound level.

Motor Operated Damper: Motor operated aluminum damper for positive closure against backdraft.



Automatic Damper: Automatic aluminum damper for ease in installation and effective backdraft protection.

Companion Gravity Units: Model RCX-II comes in a wide range of sizes and air capacities to provide relief or intake air to the system. Curbs and dampers are available to fit all sizes. Spun aluminum hoods provide a pleasing appearance, complementing the Model SDBD & SDB exhausters.



Special Coatings: Powered roof exhausters often require special coatings for protective and decorative purposes. Available coatings include: Synthetic Resin, Epoxy, and Heresite (air-dried phenolic). Contact your representative or the factory for more information on available coatings and colors.

Curb Hinge Arrangement: The curb hinge arrangement provides easy access to the exhaust fan, backdraft damper, and duct for servicing and cleaning.



CONSTRUCTION/SPECIFICATION CHECKLIST

Housing

- Curb cap has integral deep spun inlet for efficient performance and prepunched mounting holes for ease of installation.
- Lifting lugs for easy and safe placement of the fan on the roof.
- Spun aluminum hood and skirt for weather protection and attractive appearance.
- Heavy-gauge motor support for rigidity and strength.
- Neoprene isolators for reduction of vibration and sound.
- Quick-Release latches on motor cover for easy access to motor compartment.
- Conduit passage for easy electrical connection from below roof.
- Aluminum birdscreen is standard.
- Stainless steel fasteners on exterior.

Centrifugal Wheel

- All aluminum wheel.
- Backward-inclined for efficiency at higher static pressure.
- Non-overloading for safe operation in ducted systems.
- Curved blades for efficiency and quiet operation.
- Dynamically balanced for smooth operation.

Motors

- 1 year warranty.
- Brands are nationally recognized and locally serviced.
- Single speed open drip-proof are standard.
- Explosion-proof, totally enclosed and two-speed motors are available.
- All motors are rated for continuous duty.
- 182T and larger motors shipped unmounted for field installation.
- Disconnect switch standard on single speed drip-proof and totally enclosed motors.

Drives

- Sized for minimum 150% of drive horsepower.
- Machined cast iron adjustable motor pulleys.
- Adjustable base for belt tensioning.
- Non-static oil resistant V-Belts.

Bearings

- 5 year bearing warranty.
- Heavy-duty ball bearing type.
- Air handling with grease fittings.
- Sized for a minimum L50 life in excess of 200,000 hours.

AMCA Seal

- Assures accuracy of Air and Sound Performance.

cULus Label

- cULus 705 listing assures electrical safety and reliability.
- cULus 705 must be specified when required.



SIZE 6

Motor HP	RPM		Static Pressure in Inches w.g.							
			0	0.125	0.25	0.375	0.5	0.625	0.75	0.875
1/4	700	CFM	131	41	-	-	-	-	-	-
		BHP	0.01	0.01	-	-	-	-	-	-
		Sones	1.2	1.2	-	-	-	-	-	-
1/4	850	CFM	159	104	-	-	-	-	-	-
		BHP	0.01	0.02	-	-	-	-	-	-
		Sones	2.1	2.0	-	-	-	-	-	-
1/4	900	CFM	169	118	-	-	-	-	-	-
		BHP	0.02	0.02	-	-	-	-	-	-
		Sones	2.4	2.3	-	-	-	-	-	-
1/4	1000	CFM	187	144	63	-	-	-	-	-
		BHP	0.02	0.03	0.03	-	-	-	-	-
		Sones	3.1	2.8	3.1	-	-	-	-	-
1/4	1100	CFM	206	167	112	-	-	-	-	-
		BHP	0.03	0.03	0.03	-	-	-	-	-
		Sones	3.9	3.6	3.8	-	-	-	-	-
1/4	1200	CFM	225	189	146	64	-	-	-	-
		BHP	0.04	0.04	0.04	0.04	-	-	-	-
		Sones	4.8	4.5	4.6	4.9	-	-	-	-
1/4	1300	CFM	244	212	174	116	-	-	-	-
		BHP	0.05	0.05	0.06	0.06	-	-	-	-
		Sones	5.8	5.5	5.4	5.7	-	-	-	-
1/4	1400	CFM	262	234	200	157	81	-	-	-
		BHP	0.07	0.07	0.07	0.07	0.07	-	-	-
		Sones	6.8	6.5	6.4	6.6	6.8	-	-	-
1/4	1500	CFM	281	255	223	188	133	56	-	-
		BHP	0.08	0.08	0.08	0.09	0.09	0.09	-	-
		Sones	7.9	7.6	7.4	7.5	7.7	7.9	-	-
1/4	1600	CFM	300	275	246	215	176	109	-	-
		BHP	0.10	0.10	0.10	0.10	0.11	0.11	-	-
		Sones	8.7	8.4	8.2	8.2	8.4	8.6	-	-
1/4	1700	CFM	319	295	268	241	208	160	92	-
		BHP	0.12	0.12	0.12	0.12	0.12	0.13	0.13	-
		Sones	9.5	9.2	8.9	9.0	9.1	9.2	9.4	-
1/4	1800	CFM	337	315	291	265	235	201	144	80
		BHP	0.14	0.14	0.14	0.14	0.15	0.15	0.15	0.15
		Sones	10.3	10.0	9.7	9.7	9.8	9.9	10.1	10.2
1/4	1900	CFM	356	335	313	288	262	232	193	132
		BHP	0.16	0.16	0.17	0.17	0.17	0.17	0.18	0.18
		Sones	11.1	10.8	10.5	10.4	10.5	10.6	10.8	10.9
1/4	2000	CFM	375	355	335	310	288	260	229	184
		BHP	0.19	0.19	0.19	0.19	0.20	0.20	0.20	0.21
		Sones	12.0	11.7	11.4	11.2	11.3	11.3	11.5	11.6

Power Ratings (BHP) does not include drive losses.

Performance certified is for installation type A - free inlet, free outlet.

Performance ratings include the effects of birdscreen in the airstream.

The sound ratings shown are loudness values in fan sones @ 5' (1.5m) in a hemispherical free field calculated per AMCA Standard 301. Values shown are for: Installation Type A: free inlet hemispherical sone levels.



S&P USA Ventilation Systems, LLC., Div. of Soler & Palau Ventilation Group, certifies that the Models SDB shown herein are licensed to bear the AMCA Seal. The ratings shown are based on test and procedures performed in accordance with AMCA Publication 211 and AMCA Publication 311 and comply with the requirement of the AMCA Certified Ratings Program.





SIZE 7

Motor HP	RPM		Static Pressure in Inches w.g.							
			0	0.125	0.25	0.375	0.5	0.625	0.75	0.875
1/4	700	CFM	192	44	-	-	-	-	-	-
		BHP	0.01	0.01	-	-	-	-	-	-
		Sones	1.3	1.4	-	-	-	-	-	-
1/4	800	CFM	219	102	-	-	-	-	-	-
		BHP	0.01	0.01	-	-	-	-	-	-
		Sones	2.1	2.0	-	-	-	-	-	-
1/4	900	CFM	246	150	-	-	-	-	-	-
		BHP	0.02	0.02	-	-	-	-	-	-
		Sones	2.7	2.4	-	-	-	-	-	-
1/4	1000	CFM	274	191	68	-	-	-	-	-
		BHP	0.02	0.03	0.03	-	-	-	-	-
		Sones	3.3	3.0	3.4	-	-	-	-	-
1/4	1100	CFM	301	227	126	-	-	-	-	-
		BHP	0.03	0.03	0.04	-	-	-	-	-
		Sones	4.0	3.7	4.1	-	-	-	-	-
1/4	1200	CFM	328	260	180	69	-	-	-	-
		BHP	0.04	0.04	0.05	0.05	-	-	-	-
		Sones	5.1	4.7	4.9	5.3	-	-	-	-
1/4	1300	CFM	356	293	224	127	-	-	-	-
		BHP	0.05	0.06	0.06	0.06	-	-	-	-
		Sones	6.1	5.7	5.7	6.1	-	-	-	-
1/4	1400	CFM	383	325	264	184	88	-	-	-
		BHP	0.07	0.07	0.07	0.07	0.07	-	-	-
		Sones	7.2	6.8	6.6	6.9	7.3	-	-	-
1/4	1500	CFM	411	357	301	234	146	-	-	-
		BHP	0.08	0.08	0.09	0.09	0.09	-	-	-
		Sones	8.5	8.1	7.7	7.9	8.3	-	-	-
1/4	1600	CFM	438	388	336	277	204	119	-	-
		BHP	0.10	0.10	0.10	0.11	0.11	0.11	-	-
		Sones	9.3	8.9	8.5	8.6	8.9	9.2	-	-
1/4	1700	CFM	465	419	369	318	256	177	-	-
		BHP	0.12	0.12	0.12	0.13	0.13	0.13	-	-
		Sones	10.1	9.7	9.4	9.2	9.5	9.8	-	-
1/4	1800	CFM	493	449	402	356	300	234	158	-
		BHP	0.14	0.14	0.15	0.15	0.15	0.15	0.16	-
		Sones	10.9	10.6	10.2	9.9	10.1	10.4	10.7	-
1/4	1900	CFM	520	478	434	391	342	286	216	145
		BHP	0.16	0.17	0.17	0.17	0.18	0.18	0.18	0.18
		Sones	11.7	11.4	11.1	10.8	10.8	11.1	11.3	11.6
1/4	2000	CFM	547	507	466	425	381	330	272	202
		BHP	0.19	0.19	0.20	0.20	0.20	0.21	0.21	0.21
		Sones	12.5	12.2	11.9	11.7	11.5	11.7	12.0	12.3

Power Ratings (BHP) does not include drive losses.

Performance certified is for installation type A - free inlet, free outlet.

Performance ratings include the effects of birdscreen in the airstream.

The sound ratings shown are loudness values in fan sones @ 5' (1.5m) in a hemispherical free field calculated per AMCA Standard 301. Values shown are for: Installation Type A: free inlet hemispherical sone levels.



S&P USA Ventilation Systems, LLC., Div. of Soler & Palau Ventilation Group, certifies that the Models SDB shown herein are licensed to bear the AMCA Seal. The ratings shown are based on test and procedures performed in accordance with AMCA Publication 211 and AMCA Publication 311 and comply with the requirement of the AMCA Certified Ratings Program.





SIZE 8

Motor HP	RPM		Static Pressure in Inches w.g.								
			0	0.125	0.25	0.375	0.5	0.625	0.75	0.875	1
1/4	700	CFM	377	194	-	-	-	-	-	-	-
		BHP	0.01	0.01	-	-	-	-	-	-	-
		Sones	2.0	1.4	-	-	-	-	-	-	-
1/4	800	CFM	431	302	-	-	-	-	-	-	-
		BHP	0.02	0.02	-	-	-	-	-	-	-
		Sones	2.9	2.4	-	-	-	-	-	-	-
1/4	900	CFM	485	378	-	-	-	-	-	-	-
		BHP	0.02	0.03	-	-	-	-	-	-	-
		Sones	3.8	3.1	-	-	-	-	-	-	-
1/4	1000	CFM	539	445	293	-	-	-	-	-	-
		BHP	0.03	0.03	0.04	-	-	-	-	-	-
		Sones	4.6	3.9	3.6	-	-	-	-	-	-
1/4	1100	CFM	593	508	403	-	-	-	-	-	-
		BHP	0.04	0.04	0.05	-	-	-	-	-	-
		Sones	5.4	4.7	4.6	-	-	-	-	-	-
1/4	1200	CFM	647	570	481	310	-	-	-	-	-
		BHP	0.05	0.05	0.06	0.06	-	-	-	-	-
		Sones	6.3	5.7	5.6	5.2	-	-	-	-	-
1/4	1300	CFM	701	630	553	450	-	-	-	-	-
		BHP	0.06	0.07	0.07	0.08	-	-	-	-	-
		Sones	7.2	6.8	6.6	6.4	-	-	-	-	-
1/4	1400	CFM	754	688	620	535	-	-	-	-	-
		BHP	0.08	0.08	0.09	0.10	-	-	-	-	-
		Sones	8.3	7.9	7.6	7.6	-	-	-	-	-
1/4	1500	CFM	808	746	684	612	519	-	-	-	-
		BHP	0.10	0.10	0.11	0.12	0.12	-	-	-	-
		Sones	9.5	9.0	8.6	8.7	8.5	-	-	-	-
1/4	1600	CFM	862	803	747	683	605	492	-	-	-
		BHP	0.12	0.12	0.13	0.14	0.14	0.14	-	-	-
		Sones	10.4	10.0	9.6	9.5	9.5	9.1	-	-	-
1/4	1700	CFM	916	860	808	750	683	602	445	-	-
		BHP	0.14	0.15	0.16	0.16	0.17	0.17	0.17	-	-
		Sones	11.6	10.9	10.6	10.4	10.4	10.2	9.9	-	-
1/4	1800	CFM	970	917	868	814	755	685	598	395	-
		BHP	0.17	0.18	0.18	0.19	0.20	0.20	0.20	0.19	-
		Sones	12.8	12.1	11.6	11.3	11.3	11.3	10.9	10.6	-
1/4	1900	CFM	1024	973	927	877	824	763	693	592	-
		BHP	0.20	0.21	0.21	0.22	0.23	0.24	0.24	0.24	-
		Sones	13.8	13.2	12.6	12.3	12.2	12.2	12.1	11.8	-
1/3	2000	CFM	1078	1029	985	939	890	836	773	702	586
		BHP	0.23	0.24	0.25	0.25	0.27	0.27	0.28	0.28	0.28
		Sones	15.0	14.3	13.8	13.3	13.1	13.1	13.2	12.9	12.7
1/3	2100	CFM	1132	1085	1043	1000	954	905	850	787	712
		BHP	0.26	0.28	0.28	0.29	0.30	0.31	0.32	0.32	0.33
		Sones	16.1	15.5	15.0	14.5	14.0	14.1	14.1	14.1	13.8

Power Ratings (BHP) does not include drive losses.

Performance certified is for installation type A - free inlet, free outlet.

Performance ratings include the effects of birdscreen in the airstream.

The sound ratings shown are loudness values in fan sones @ 5' (1.5m) in a hemispherical free field calculated per AMCA Standard 301. Values shown are for: Installation Type A: free inlet hemispherical sone levels.



S&P USA Ventilation Systems, LLC., Div. of Soler & Palau Ventilation Group, certifies that the Models SDB shown herein are licensed to bear the AMCA Seal. The ratings shown are based on test and procedures performed in accordance with AMCA Publication 211 and AMCA Publication 311 and comply with the requirement of the AMCA Certified Ratings Program.





SIZE 10

Motor HP	RPM		Static Pressure in Inches w.g.								
			0	0.125	0.25	0.375	0.5	0.625	0.75	0.875	1
1/4	700	CFM	586	423	-	-	-	-	-	-	-
		BHP	0.02	0.02	-	-	-	-	-	-	-
		Sones	3.1	2.6	-	-	-	-	-	-	-
1/4	800	CFM	669	537	244	-	-	-	-	-	-
		BHP	0.02	0.03	0.03	-	-	-	-	-	-
		Sones	4.1	3.5	3.5	-	-	-	-	-	-
1/4	900	CFM	753	639	479	-	-	-	-	-	-
		BHP	0.03	0.04	0.05	-	-	-	-	-	-
		Sones	5.1	4.5	4.3	-	-	-	-	-	-
1/4	1000	CFM	837	737	610	374	-	-	-	-	-
		BHP	0.05	0.06	0.06	0.06	-	-	-	-	-
		Sones	6.0	5.5	5.2	5.3	-	-	-	-	-
1/4	1100	CFM	920	832	725	583	-	-	-	-	-
		BHP	0.06	0.07	0.08	0.08	-	-	-	-	-
		Sones	7.1	6.6	6.4	6.3	-	-	-	-	-
1/4	1200	CFM	1004	924	830	717	562	-	-	-	-
		BHP	0.08	0.09	0.10	0.11	0.11	-	-	-	-
		Sones	8.3	7.8	7.5	7.3	7.4	-	-	-	-
1/4	1300	CFM	1088	1014	931	836	716	513	-	-	-
		BHP	0.10	0.11	0.12	0.13	0.14	0.14	-	-	-
		Sones	9.6	9.1	8.8	8.6	8.5	8.7	-	-	-
1/4	1400	CFM	1171	1104	1029	945	846	725	-	-	-
		BHP	0.13	0.14	0.15	0.16	0.17	0.17	-	-	-
		Sones	11.1	10.5	10.1	10.0	9.8	9.9	-	-	-
1/3	1500	CFM	1255	1192	1124	1048	964	863	744	-	-
		BHP	0.16	0.17	0.18	0.19	0.20	0.21	0.21	-	-
		Sones	12.6	12.1	11.5	11.4	11.3	11.2	11.3	-	-
1/3	1600	CFM	1339	1280	1217	1148	1073	988	888	768	-
		BHP	0.19	0.21	0.22	0.23	0.24	0.25	0.26	0.26	-
		Sones	13.8	13.3	12.8	12.6	12.5	12.3	12.3	12.4	-
1/3	1700	CFM	1422	1368	1309	1246	1177	1103	1018	920	801
		BHP	0.23	0.24	0.26	0.27	0.28	0.30	0.31	0.31	0.31
		Sones	15.1	14.6	14.1	13.8	13.7	13.5	13.4	13.5	13.6

Power Ratings (BHP) does not include drive losses.

Performance certified is for installation type A - free inlet, free outlet.

Performance ratings include the effects of birdscreen in the airstream.

The sound ratings shown are loudness values in fan sones @ 5' (1.5m) in a hemispherical free field calculated per AMCA Standard 301. Values shown are for: Installation Type A: free inlet hemispherical sone levels.



S&P USA Ventilation Systems, LLC., Div. of Soler & Palau Ventilation Group, certifies that the Models SDB shown herein are licensed to bear the AMCA Seal. The ratings shown are based on test and procedures performed in accordance with AMCA Publication 211 and AMCA Publication 311 and comply with the requirement of the AMCA Certified Ratings Program.





MODEL SDB
BELT DRIVE CENTRIFUGAL DOWNBLAST ROOF EXHAUSTER



SIZE 12

Motor HP	RPM		Static Pressure in Inches w.g.										
			0	0.125	0.25	0.375	0.5	0.625	0.75	0.875	1	1.25	
1/4	600	CFM	660	425	-	-	-	-	-	-	-	-	-
		BHP	0.01	0.02	-	-	-	-	-	-	-	-	-
		Sones	2.5	2.1	-	-	-	-	-	-	-	-	-
1/4	700	CFM	770	585	-	-	-	-	-	-	-	-	-
		BHP	0.02	0.03	-	-	-	-	-	-	-	-	-
		Sones	3.5	3.2	-	-	-	-	-	-	-	-	-
1/4	800	CFM	880	726	509	-	-	-	-	-	-	-	-
		BHP	0.03	0.04	0.05	-	-	-	-	-	-	-	-
		Sones	4.5	4.2	3.9	-	-	-	-	-	-	-	-
1/4	900	CFM	990	859	690	-	-	-	-	-	-	-	-
		BHP	0.05	0.06	0.07	-	-	-	-	-	-	-	-
		Sones	5.6	5.3	5.0	-	-	-	-	-	-	-	-
1/4	1000	CFM	1100	987	842	665	-	-	-	-	-	-	-
		BHP	0.07	0.08	0.09	0.09	-	-	-	-	-	-	-
		Sones	6.6	6.4	6.1	5.9	-	-	-	-	-	-	-
1/4	1100	CFM	1210	1108	983	842	638	-	-	-	-	-	-
		BHP	0.09	0.10	0.11	0.12	0.12	-	-	-	-	-	-
		Sones	7.7	7.5	7.2	7.0	6.8	-	-	-	-	-	-
1/4	1200	CFM	1320	1227	1119	995	850	-	-	-	-	-	-
		BHP	0.11	0.13	0.14	0.15	0.16	-	-	-	-	-	-
		Sones	8.9	8.7	8.4	8.2	8.0	-	-	-	-	-	-
1/4	1300	CFM	1430	1343	1251	1138	1020	876	-	-	-	-	-
		BHP	0.15	0.16	0.17	0.19	0.19	0.20	-	-	-	-	-
		Sones	10.2	10.0	9.7	9.4	9.2	9.1	-	-	-	-	-
1/4	1400	CFM	1540	1459	1378	1277	1170	1053	913	-	-	-	-
		BHP	0.18	0.20	0.21	0.23	0.24	0.25	0.25	-	-	-	-
		Sones	11.5	11.3	11.1	10.8	10.5	10.4	10.3	-	-	-	-
1/3	1500	CFM	1650	1574	1500	1411	1313	1212	1096	960	-	-	-
		BHP	0.22	0.24	0.26	0.27	0.28	0.30	0.30	0.31	-	-	-
		Sones	12.9	12.7	12.6	12.3	11.9	11.8	11.7	11.6	-	-	-
1/2	1600	CFM	1760	1689	1620	1542	1452	1358	1261	1147	1019	-	-
		BHP	0.27	0.29	0.31	0.32	0.34	0.35	0.36	0.37	0.37	-	-
		Sones	14.2	14.0	13.9	13.7	13.4	13.1	12.9	12.8	12.7	-	-
1/2	1700	CFM	1870	1803	1738	1669	1587	1500	1411	1318	1207	872	-
		BHP	0.32	0.34	0.36	0.38	0.40	0.41	0.43	0.44	0.44	0.44	0.43
		Sones	15.6	15.4	15.3	15.1	14.8	14.5	14.3	14.2	14.0	13.9	-

Power Ratings (BHP) does not include drive losses.

Performance certified is for installation type A - free inlet, free outlet.

Performance ratings include the effects of birdscreen in the airstream.

The sound ratings shown are loudness values in fan sones @ 5' (1.5m) in a hemispherical free field calculated per AMCA Standard 301. Values shown are for: Installation Type A: free inlet hemispherical sone levels.



S&P USA Ventilation Systems, LLC., Div. of Soler & Palau Ventilation Group, certifies that the Models SDB shown herein are licensed to bear the AMCA Seal. The ratings shown are based on test and procedures performed in accordance with AMCA Publication 211 and AMCA Publication 311 and comply with the requirement of the AMCA Certified Ratings Program.





SIZE 14

Motor HP	RPM		Static Pressure in Inches w.g.										
			0	0.125	0.25	0.375	0.5	0.625	0.75	0.875	1	1.25	1.5
1/4	550	CFM	1108	802	-	-	-	-	-	-	-	-	-
		BHP	0.03	0.03	-	-	-	-	-	-	-	-	-
		Sones	3.4	2.4	-	-	-	-	-	-	-	-	-
1/4	650	CFM	1309	1070	-	-	-	-	-	-	-	-	
		BHP	0.04	0.05	-	-	-	-	-	-	-	-	
		Sones	4.6	3.7	-	-	-	-	-	-	-	-	
1/4	750	CFM	1511	1312	1048	-	-	-	-	-	-	-	
		BHP	0.07	0.08	0.09	-	-	-	-	-	-	-	
		Sones	6.2	5.2	4.8	-	-	-	-	-	-	-	
1/4	850	CFM	1712	1539	1332	1016	-	-	-	-	-	-	
		BHP	0.10	0.11	0.12	0.12	-	-	-	-	-	-	
		Sones	7.8	6.8	6.1	6.0	-	-	-	-	-	-	
1/4	950	CFM	1914	1759	1591	1382	-	-	-	-	-	-	
		BHP	0.13	0.15	0.16	0.17	-	-	-	-	-	-	
		Sones	9.1	8.3	7.5	7.1	-	-	-	-	-	-	
1/4	1050	CFM	2115	1975	1831	1655	1446	-	-	-	-	-	
		BHP	0.18	0.19	0.21	0.23	0.23	-	-	-	-	-	
		Sones	10.6	9.8	9.1	8.7	8.4	-	-	-	-	-	
1/3	1150	CFM	2316	2188	2060	1914	1745	1531	-	-	-	-	
		BHP	0.23	0.25	0.27	0.29	0.30	0.31	-	-	-	-	
		Sones	12.2	11.5	10.9	10.4	10.0	9.9	-	-	-	-	
1/2	1250	CFM	2518	2399	2283	2157	2011	1852	1639	-	-	-	
		BHP	0.30	0.31	0.34	0.36	0.38	0.39	0.40	-	-	-	
		Sones	14.0	13.4	12.8	12.3	11.9	11.5	11.5	-	-	-	
1/2	1350	CFM	2719	2609	2502	2390	2266	2122	1973	1770	-	-	
		BHP	0.38	0.39	0.42	0.44	0.46	0.48	0.49	0.50	-	-	
		Sones	16.1	15.5	14.8	14.3	13.9	13.4	13.1	13.1	-	-	
3/4	1450	CFM	2921	2818	2718	2616	2507	2384	2248	2107	1918	-	
		BHP	0.47	0.48	0.51	0.53	0.56	0.58	0.60	0.61	0.62	-	
		Sones	18.1	17.5	17.0	16.4	16.0	15.6	15.3	14.9	14.9	-	
3/4	1550	CFM	3122	3026	2931	2838	2739	2633	2512	2385	2252	1846	
		BHP	0.57	0.59	0.61	0.64	0.67	0.70	0.72	0.74	0.75	0.75	
		Sones	20.2	19.6	19.0	18.3	17.8	17.5	17.2	16.8	16.5	16.9	
1	1650	CFM	3324	3233	3144	3056	2966	2871	2766	2651	2531	2251	1756
		BHP	0.69	0.71	0.73	0.76	0.79	0.82	0.85	0.87	0.89	0.91	0.87
		Sones	22.0	21.4	20.8	20.3	19.7	19.4	19.0	18.7	18.3	17.8	18.6
1	1750	CFM	3525	3440	3355	3273	3189	3102	3009	2908	2797	2568	2247
		BHP	0.83	0.84	0.86	0.89	0.93	0.96	0.99	1.02	1.04	1.07	1.08
		Sones	24.2	23.6	22.9	22.2	21.6	21.1	20.7	20.4	20.1	19.5	19.6

Power Ratings (BHP) does not include drive losses.

Performance certified is for installation type A - free inlet, free outlet.

Performance ratings include the effects of birdscreen in the airstream.

The sound ratings shown are loudness values in fan sones @ 5' (1.5m) in a hemispherical free field calculated per AMCA Standard 301. Values shown are for: Installation Type A: free inlet hemispherical sone levels.



S&P USA Ventilation Systems, LLC., Div. of Soler & Palau Ventilation Group, certifies that the Models SDB shown herein are licensed to bear the AMCA Seal. The ratings shown are based on test and procedures performed in accordance with AMCA Publication 211 and AMCA Publication 311 and comply with the requirement of the AMCA Certified Ratings Program.





SIZE 15

Motor HP	RPM		Static Pressure in Inches w.g.										
			0	0.125	0.25	0.375	0.5	0.625	0.75	0.875	1	1.25	1.5
1/4	500	CFM	1164	843	-	-	-	-	-	-	-	-	-
		BHP	0.02	0.03	-	-	-	-	-	-	-	-	-
		Sones	3.3	2.4	-	-	-	-	-	-	-	-	-
1/4	600	CFM	1396	1146	543	-	-	-	-	-	-	-	-
		BHP	0.04	0.05	0.05	-	-	-	-	-	-	-	-
		Sones	4.6	3.9	2.8	-	-	-	-	-	-	-	-
1/4	700	CFM	1629	1421	1168	-	-	-	-	-	-	-	-
		BHP	0.06	0.08	0.09	-	-	-	-	-	-	-	-
		Sones	6.1	5.5	4.6	-	-	-	-	-	-	-	-
1/4	800	CFM	1862	1685	1478	1206	-	-	-	-	-	-	-
		BHP	0.09	0.11	0.12	0.13	-	-	-	-	-	-	-
		Sones	7.9	7.2	6.6	5.6	-	-	-	-	-	-	-
1/4	900	CFM	2095	1944	1766	1570	1278	-	-	-	-	-	-
		BHP	0.13	0.15	0.17	0.18	0.19	-	-	-	-	-	-
		Sones	9.7	9.0	8.3	7.7	6.7	-	-	-	-	-	-
1/3	1000	CFM	2327	2197	2037	1870	1687	1393	-	-	-	-	-
		BHP	0.18	0.20	0.22	0.24	0.26	0.26	-	-	-	-	-
		Sones	11.1	10.5	10.0	9.5	8.7	7.9	-	-	-	-	-
1/3	1100	CFM	2560	2445	2301	2156	1996	1823	1553	-	-	-	-
		BHP	0.23	0.26	0.28	0.31	0.33	0.35	0.35	-	-	-	-
		Sones	12.7	12.2	11.7	11.2	10.7	9.9	9.1	-	-	-	-
1/2	1200	CFM	2793	2690	2562	2429	2291	2143	1980	1739	-	-	-
		BHP	0.30	0.33	0.36	0.38	0.41	0.43	0.45	0.45	-	-	-
		Sones	14.3	13.9	13.5	13.1	12.6	12.1	11.3	10.5	-	-	-
3/4	1300	CFM	3026	2932	2818	2694	2572	2441	2304	2152	1938	-	-
		BHP	0.39	0.42	0.44	0.47	0.50	0.53	0.55	0.57	0.57	-	-
		Sones	16.3	15.8	15.3	15.0	14.7	14.5	13.9	12.9	12.0	-	-
3/4	1400	CFM	3258	3172	3071	2956	2843	2728	2602	2476	2336	1876	-
		BHP	0.48	0.51	0.55	0.57	0.61	0.64	0.66	0.69	0.71	0.71	-
		Sones	18.6	18.1	17.7	17.3	17.0	16.9	16.7	16.1	14.9	13.2	-
1	1500	CFM	3491	3412	3321	3216	3107	3003	2893	2775	2657	2373	-
		BHP	0.59	0.63	0.66	0.69	0.72	0.76	0.79	0.82	0.84	0.88	-
		Sones	20.9	20.5	20.0	19.6	19.5	19.3	19.2	19.1	18.4	16.1	-
1	1600	CFM	3724	3650	3567	3472	3370	3271	3172	3067	2956	2729	2412
		BHP	0.72	0.76	0.79	0.83	0.86	0.89	0.93	0.96	0.99	1.05	1.07
		Sones	23.3	22.9	22.4	21.9	21.5	21.1	21.0	20.8	20.7	19.0	17.3

Power Ratings (BHP) does not include drive losses.

Performance certified is for installation type A - free inlet, free outlet.

Performance ratings include the effects of birdscreen in the airstream.

The sound ratings shown are loudness values in fan sones @ 5' (1.5m) in a hemispherical free field calculated per AMCA Standard 301. Values shown are for: Installation Type A: free inlet hemispherical sone levels.



S&P USA Ventilation Systems, LLC., Div. of Soler & Palau Ventilation Group, certifies that the Models SDB shown herein are licensed to bear the AMCA Seal. The ratings shown are based on test and procedures performed in accordance with AMCA Publication 211 and AMCA Publication 311 and comply with the requirement of the AMCA Certified Ratings Program.





SIZE 16

Motor HP	RPM		Static Pressure in Inches w.g.										
			0	0.125	0.25	0.375	0.5	0.625	0.75	0.875	1	1.25	1.5
1/4	550	CFM	1568	1275	-	-	-	-	-	-	-	-	-
		BHP	0.04	0.06	-	-	-	-	-	-	-	-	-
		Sones	4.4	3.5	-	-	-	-	-	-	-	-	-
1/4	650	CFM	1853	1614	1292	-	-	-	-	-	-	-	-
		BHP	0.07	0.08	0.10	-	-	-	-	-	-	-	-
		Sones	6.0	5.1	4.3	-	-	-	-	-	-	-	-
1/4	750	CFM	2139	1936	1702	1356	-	-	-	-	-	-	-
		BHP	0.10	0.12	0.14	0.15	-	-	-	-	-	-	-
		Sones	7.8	7.3	6.2	5.6	-	-	-	-	-	-	-
1/4	850	CFM	2424	2249	2052	1817	1502	-	-	-	-	-	-
		BHP	0.15	0.17	0.20	0.21	0.22	-	-	-	-	-	-
		Sones	9.5	8.9	8.1	7.3	6.9	-	-	-	-	-	-
1/3	950	CFM	2709	2556	2383	2198	1964	1678	-	-	-	-	-
		BHP	0.21	0.23	0.26	0.28	0.30	0.31	-	-	-	-	-
		Sones	11.2	10.7	10.1	9.2	8.6	8.2	-	-	-	-	-
1/2	1050	CFM	2994	2857	2704	2543	2368	2142	1878	-	-	-	-
		BHP	0.28	0.31	0.34	0.37	0.39	0.41	0.41	-	-	-	-
		Sones	12.9	12.5	12.1	11.3	10.5	10.0	9.6	-	-	-	-
3/4	1150	CFM	3279	3156	3019	2874	2724	2557	2345	2095	-	-	-
		BHP	0.37	0.40	0.43	0.46	0.49	0.52	0.53	0.54	-	-	-
		Sones	14.7	14.4	14.0	13.4	12.6	11.9	11.5	11.3	-	-	-
3/4	1250	CFM	3564	3452	3329	3197	3062	2921	2763	2568	2348	-	-
		BHP	0.47	0.51	0.54	0.58	0.61	0.64	0.66	0.68	0.70	-	-
		Sones	16.9	16.5	16.3	16.0	15.1	14.4	13.7	13.5	13.3	-	-
1	1350	CFM	3849	3746	3634	3514	3391	3264	3132	2983	2805	2402	-
		BHP	0.59	0.63	0.67	0.71	0.75	0.78	0.81	0.84	0.86	0.88	-
		Sones	19.4	19.2	18.9	18.6	18.0	17.3	16.5	15.8	15.5	15.1	-
1	1450	CFM	4135	4038	3936	3827	3713	3597	3478	3354	3216	2875	2467
		BHP	0.74	0.78	0.82	0.86	0.90	0.94	0.97	1.01	1.04	1.08	1.08
		Sones	22.2	21.9	21.7	21.5	21.3	20.4	19.6	18.8	18.0	17.5	17.0

Power Ratings (BHP) does not include drive losses.

Performance certified is for installation type A - free inlet, free outlet.

Performance ratings include the effects of birdscreen in the airstream.

The sound ratings shown are loudness values in fan sones @ 5' (1.5m) in a hemispherical free field calculated per AMCA Standard 301. Values shown are for: Installation Type A: free inlet hemispherical sone levels.



S&P USA Ventilation Systems, LLC., Div. of Soler & Palau Ventilation Group, certifies that the Models SDB shown herein are licensed to bear the AMCA Seal. The ratings shown are based on test and procedures performed in accordance with AMCA Publication 211 and AMCA Publication 311 and comply with the requirement of the AMCA Certified Ratings Program.





SIZE 18

Motor HP	RPM		Static Pressure in Inches w.g.											
			0	0.125	0.25	0.375	0.5	0.625	0.75	0.875	1	1.25	1.5	1.75
1/4	550	CFM	2195	1889	1512	-	-	-	-	-	-	-	-	-
		BHP	0.10	0.11	0.12	-	-	-	-	-	-	-	-	-
		Sones	6.1	5.0	4.5	-	-	-	-	-	-	-	-	-
1/4	650	CFM	2594	2339	2074	1678	-	-	-	-	-	-	-	-
		BHP	0.16	0.18	0.19	0.20	-	-	-	-	-	-	-	-
		Sones	7.9	6.9	6.4	6.0	-	-	-	-	-	-	-	-
1/3	750	CFM	2993	2770	2542	2309	1934	1389	-	-	-	-	-	-
		BHP	0.25	0.27	0.29	0.30	0.30	0.28	-	-	-	-	-	-
		Sones	9.9	9.0	8.4	8.0	7.8	7.6	-	-	-	-	-	-
1/2	850	CFM	3392	3192	3001	2795	2581	2248	1835	-	-	-	-	-
		BHP	0.37	0.39	0.41	0.43	0.44	0.44	0.42	-	-	-	-	-
		Sones	12.5	11.5	10.7	10.3	9.9	9.7	9.6	-	-	-	-	-
3/4	950	CFM	3791	3610	3442	3260	3081	2883	2601	2250	1778	-	-	-
		BHP	0.51	0.53	0.56	0.58	0.60	0.62	0.62	0.61	0.57	-	-	-
		Sones	15.3	14.3	13.5	12.9	12.3	12.0	11.8	11.7	11.6	-	-	-
1	1050	CFM	4190	4026	3871	3716	3546	3387	3209	2974	2653	-	-	-
		BHP	0.69	0.72	0.74	0.77	0.79	0.82	0.83	0.84	0.83	-	-	-
		Sones	17.9	17.0	16.3	15.6	15.1	14.7	14.4	14.1	14.0	-	-	-
1-1/2	1150	CFM	4590	4439	4295	4157	4008	3852	3709	3550	3352	2797	-	-
		BHP	0.90	0.93	0.96	0.99	1.02	1.05	1.07	1.09	1.10	1.08	-	-
		Sones	20.3	19.6	18.9	18.3	17.7	17.3	17.0	16.7	16.5	16.2	-	-
1-1/2	1250	CFM	4989	4849	4715	4588	4459	4317	4174	4043	3901	3522	2992	2240
		BHP	1.16	1.19	1.23	1.26	1.29	1.32	1.35	1.37	1.40	1.41	1.39	1.27
		Sones	22.8	22.2	21.6	20.9	20.5	20.1	19.8	19.5	19.3	18.8	18.4	18.2
2	1350	CFM	5388	5258	5133	5013	4896	4772	4640	4507	4387	4113	3725	3231
		BHP	1.46	1.50	1.53	1.57	1.60	1.63	1.67	1.70	1.73	1.77	1.78	1.75
		Sones	25.4	24.8	24.2	23.7	23.2	22.9	22.6	22.3	22.1	21.5	21.2	20.9
2	1450	CFM	5787	5666	5548	5435	5326	5215	5098	4975	4850	4622	4347	3965
		BHP	1.81	1.85	1.89	1.92	1.96	2.00	2.03	2.07	2.10	2.16	2.20	2.21
		Sones	28.1	27.5	27.0	26.5	26.2	25.8	25.5	25.3	25.0	24.5	24.0	23.7

Power Ratings (BHP) does not include drive losses.
Performance certified is for installation type A - free inlet, free outlet.
Performance ratings include the effects of birdscreen in the airstream.
The sound ratings shown are loudness values in fan sones @ 5' (1.5m) in a hemispherical free field calculated per AMCA Standard 301. Values shown are for: Installation Type A: free inlet hemispherical sone levels.



S&P USA Ventilation Systems, LLC., Div. of Soler & Palau Ventilation Group, certifies that the Models SDB shown herein are licensed to bear the AMCA Seal. The ratings shown are based on test and procedures performed in accordance with AMCA Publication 211 and AMCA Publication 311 and comply with the requirement of the AMCA Certified Ratings Program.





SIZE 20

Motor HP	RPM		Static Pressure in Inches w.g.											
			0	0.125	0.25	0.375	0.5	0.625	0.75	0.875	1	1.25	1.5	1.75
1/4	500	CFM	2503	2136	1728	-	-	-	-	-	-	-	-	-
		BHP	0.11	0.12	0.14	-	-	-	-	-	-	-	-	-
		Sones	4.8	4.5	4.2	-	-	-	-	-	-	-	-	-
1/4	550	CFM	2754	2418	2065	-	-	-	-	-	-	-	-	-
		BHP	0.14	0.16	0.18	-	-	-	-	-	-	-	-	-
		Sones	5.8	5.5	5.1	-	-	-	-	-	-	-	-	-
1/4	600	CFM	3004	2696	2377	2016	-	-	-	-	-	-	-	-
		BHP	0.18	0.21	0.22	0.23	-	-	-	-	-	-	-	-
		Sones	6.7	6.5	6.1	6.0	-	-	-	-	-	-	-	-
1/3	650	CFM	3254	2971	2685	2376	1802	-	-	-	-	-	-	-
		BHP	0.23	0.26	0.28	0.29	0.29	-	-	-	-	-	-	-
		Sones	7.7	7.5	7.1	6.8	7.0	-	-	-	-	-	-	-
1/2	700	CFM	3505	3244	2980	2693	2389	-	-	-	-	-	-	-
		BHP	0.29	0.32	0.34	0.36	0.37	-	-	-	-	-	-	-
		Sones	8.7	8.5	8.2	7.8	7.8	-	-	-	-	-	-	-
1/2	750	CFM	3755	3513	3264	3006	2739	2366	-	-	-	-	-	-
		BHP	0.36	0.39	0.41	0.44	0.45	0.46	-	-	-	-	-	-
		Sones	9.8	9.7	9.5	9.0	8.7	8.9	-	-	-	-	-	-
3/4	800	CFM	4006	3780	3544	3312	3059	2800	2305	-	-	-	-	-
		BHP	0.43	0.47	0.50	0.52	0.54	0.55	0.54	-	-	-	-	-
		Sones	11.0	11.0	10.9	10.4	9.9	9.8	10.0	-	-	-	-	-
3/4	850	CFM	4256	4044	3821	3607	3370	3139	2865	2020	-	-	-	-
		BHP	0.52	0.55	0.59	0.61	0.64	0.66	0.67	0.61	-	-	-	-
		Sones	12.3	12.3	12.3	11.8	11.2	10.8	10.9	11.1	-	-	-	-
1	900	CFM	4506	4307	4097	3893	3680	3454	3227	2921	-	-	-	-
		BHP	0.62	0.65	0.69	0.72	0.75	0.77	0.78	0.79	-	-	-	-
		Sones	13.4	13.4	13.4	13.0	12.6	12.0	11.8	12.0	-	-	-	-
1	950	CFM	4757	4568	4370	4174	3982	3766	3560	3337	3001	-	-	-
		BHP	0.72	0.76	0.80	0.84	0.86	0.89	0.91	0.93	0.93	-	-	-
		Sones	14.5	14.5	14.5	14.3	13.8	13.4	13.0	13.1	13.3	-	-	-
1-1/2	1000	CFM	5007	4828	4641	4452	4272	4076	3870	3676	3457	-	-	-
		BHP	0.84	0.89	0.93	0.97	1.00	1.03	1.05	1.07	1.08	-	-	-
		Sones	15.7	15.7	15.7	15.7	15.2	14.8	14.3	14.1	14.3	-	-	-
1-1/2	1050	CFM	5257	5088	4911	4729	4556	4379	4184	3995	3802	3257	-	-
		BHP	0.98	1.02	1.07	1.11	1.14	1.17	1.20	1.23	1.24	1.25	-	-
		Sones	16.9	17.0	17.0	17.0	16.6	16.2	15.8	15.4	15.4	15.7	-	-
1-1/2	1100	CFM	5508	5346	5178	5005	4837	4672	4493	4304	4130	3721	-	-
		BHP	1.12	1.17	1.22	1.26	1.30	1.33	1.36	1.39	1.42	1.44	-	-
		Sones	18.2	18.2	18.2	18.3	18.1	17.7	17.3	16.9	16.6	16.8	-	-
2	1150	CFM	5758	5603	5444	5279	5115	4958	4796	4618	4440	4083	3565	-
		BHP	1.28	1.33	1.38	1.43	1.47	1.51	1.54	1.57	1.60	1.64	1.64	-
		Sones	19.6	19.6	19.6	19.5	19.4	19.1	18.8	18.4	18.1	17.9	18.2	-
2	1200	CFM	6008	5860	5708	5551	5392	5241	5089	4926	4753	4425	4033	-
		BHP	1.46	1.51	1.56	1.61	1.66	1.70	1.73	1.76	1.80	1.85	1.87	-
		Sones	21.0	21.0	20.9	20.9	20.9	20.6	20.2	19.9	19.6	19.1	19.4	-
2	1250	CFM	6259	6117	5971	5821	5668	5520	5376	5227	5065	4744	4410	3924
		BHP	1.65	1.70	1.75	1.81	1.86	1.90	1.94	1.97	2.01	2.07	2.11	2.11
		Sones	22.4	22.4	22.4	22.4	22.4	22.2	21.8	21.5	21.2	20.5	20.5	20.8

Power Ratings (BHP) does not include drive losses.

Performance certified is for installation type A - free inlet, free outlet.

Performance ratings include the effects of birdscreen in the airstream.

The sound ratings shown are loudness values in fan sones @ 5' (1.5m) in a hemispherical free field calculated per AMCA Standard 301. Values shown are for: Installation Type A: free inlet hemispherical sone levels.



S&P USA Ventilation Systems, LLC., Div. of Soler & Palau Ventilation Group, certifies that the Models SDB shown herein are licensed to bear the AMCA Seal. The ratings shown are based on test and procedures performed in accordance with AMCA Publication 211 and AMCA Publication 311 and comply with the requirement of the AMCA Certified Ratings Program.





SIZE 22

Motor HP	RPM		Static Pressure in Inches w.g.								
			0	0.125	0.25	0.375	0.5	0.625	0.75	0.875	1
1/4	400	CFM	3239	2522	-	-	-	-	-	-	-
		BHP	0.12	0.13	-	-	-	-	-	-	-
		Sones	6.2	5.4	-	-	-	-	-	-	-
1/4	450	CFM	3644	3024	-	-	-	-	-	-	-
		BHP	0.17	0.19	-	-	-	-	-	-	-
		Sones	7.4	6.8	-	-	-	-	-	-	-
1/4	500	CFM	4049	3507	2824	-	-	-	-	-	-
		BHP	0.24	0.25	0.26	-	-	-	-	-	-
		Sones	8.8	8.1	7.2	-	-	-	-	-	-
1/3	550	CFM	4454	3975	3399	-	-	-	-	-	-
		BHP	0.32	0.33	0.34	-	-	-	-	-	-
		Sones	10.1	9.5	8.8	-	-	-	-	-	-
1/2	600	CFM	4859	4424	3918	3304	-	-	-	-	-
		BHP	0.41	0.43	0.45	0.44	-	-	-	-	-
		Sones	11.4	10.9	10.3	9.2	-	-	-	-	-
3/4	650	CFM	5264	4863	4409	3901	2989	-	-	-	-
		BHP	0.53	0.55	0.56	0.57	0.53	-	-	-	-
		Sones	13.0	12.3	11.6	11.2	10.1	-	-	-	-
3/4	700	CFM	5669	5296	4892	4443	3909	-	-	-	-
		BHP	0.66	0.68	0.70	0.71	0.70	-	-	-	-
		Sones	14.5	13.9	13.3	12.7	12.0	-	-	-	-
1	750	CFM	6073	5725	5364	4949	4498	3871	-	-	-
		BHP	0.81	0.83	0.85	0.87	0.87	0.85	-	-	-
		Sones	16.1	15.4	14.9	14.4	13.9	13.2	-	-	-
1-1/2	800	CFM	6478	6151	5822	5438	5043	4570	3777	-	-
		BHP	0.98	1.01	1.03	1.05	1.06	1.05	1.00	-	-
		Sones	17.8	17.1	16.5	16.0	15.7	15.2	14.6	-	-
1-1/2	850	CFM	6883	6575	6269	5922	5555	5159	4693	3576	-
		BHP	1.18	1.20	1.23	1.25	1.27	1.27	1.26	1.14	-
		Sones	19.4	18.8	18.3	17.9	17.6	17.3	16.7	16.1	-
1-1/2	900	CFM	7288	6997	6709	6396	6048	5697	5291	4803	-
		BHP	1.40	1.43	1.45	1.47	1.50	1.50	1.50	1.48	-
		Sones	21.2	20.6	20.1	19.7	19.4	19.1	18.8	18.3	-
2	950	CFM	7693	7417	7145	6860	6535	6208	5859	5445	4922
		BHP	1.64	1.67	1.70	1.72	1.75	1.77	1.77	1.76	1.73
		Sones	23.2	22.6	22.1	21.6	21.3	21.0	20.7	20.4	19.8
2	1000	CFM	8098	7836	7576	7313	7015	6701	6387	6039	5648
		BHP	1.92	1.95	1.98	2.00	2.03	2.06	2.06	2.06	2.05
			25.2	24.6	24.1	23.6	23.3	23.0	22.7	22.5	22.1

Power Ratings (BHP) does not include drive losses.

Performance certified is for installation type A - free inlet, free outlet.

Performance ratings include the effects of birdscreen in the airstream.

The sound ratings shown are loudness values in fan sones @ 5' (1.5m) in a hemispherical free field calculated per AMCA Standard 301. Values shown are for: Installation Type A: free inlet hemispherical sone levels.



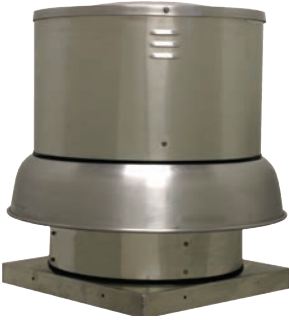
S&P USA Ventilation Systems, LLC., Div. of Soler & Palau Ventilation Group, certifies that the Models SDB shown herein are licensed to bear the AMCA Seal. The ratings shown are based on test and procedures performed in accordance with AMCA Publication 211 and AMCA Publication 311 and comply with the requirement of the AMCA Certified Ratings Program.





MODEL DB

BELT DRIVE CENTRIFUGAL ROOF EXHAUSTER



MODEL FEATURES

- Exhaust air up to 28,000 CFM in high static pressure applications up to 1-1/4" w.g.
- Attractive spun aluminum exterior
- Belt drives permit easy performance adjustments when needed
- Non-overloading backward inclined wheel for efficiency at higher static pressures
- AMCA Air and Sound Licensed
- cULus 705 Listed


APPLICATION CONSTRUCTION OPTIONS

MODEL NAME	TYPICAL APPLICATIONS
DB	Removal of clean air in general applications

MODEL OVERVIEW

Model DB belt drive fans are designed to exhaust air up to 28,000 CFM in high static pressure applications to 1-1/4". The aluminum exterior provides an attractive appearance. Belt drive results in lower operating RPM and sound levels, making the Model DB well suited to applications where quiet operation is important. Belt drive also permits easy performance adjustments when needed to balance the total ventilation system. The non-overloading backward inclined wheel with its higher static pressure capability makes this unit suitable for either ducted or nonducted applications. It's roof mounting permits location near the area to be ventilated, allowing short duct runs and more efficient operation.

DBs are primarily used for the exhaust of relatively clean air from a wide range of commercial, industrial and institutional environments such as manufacturing and assembly plants, office buildings, schools, hospitals, restaurants, athletic facilities and many others

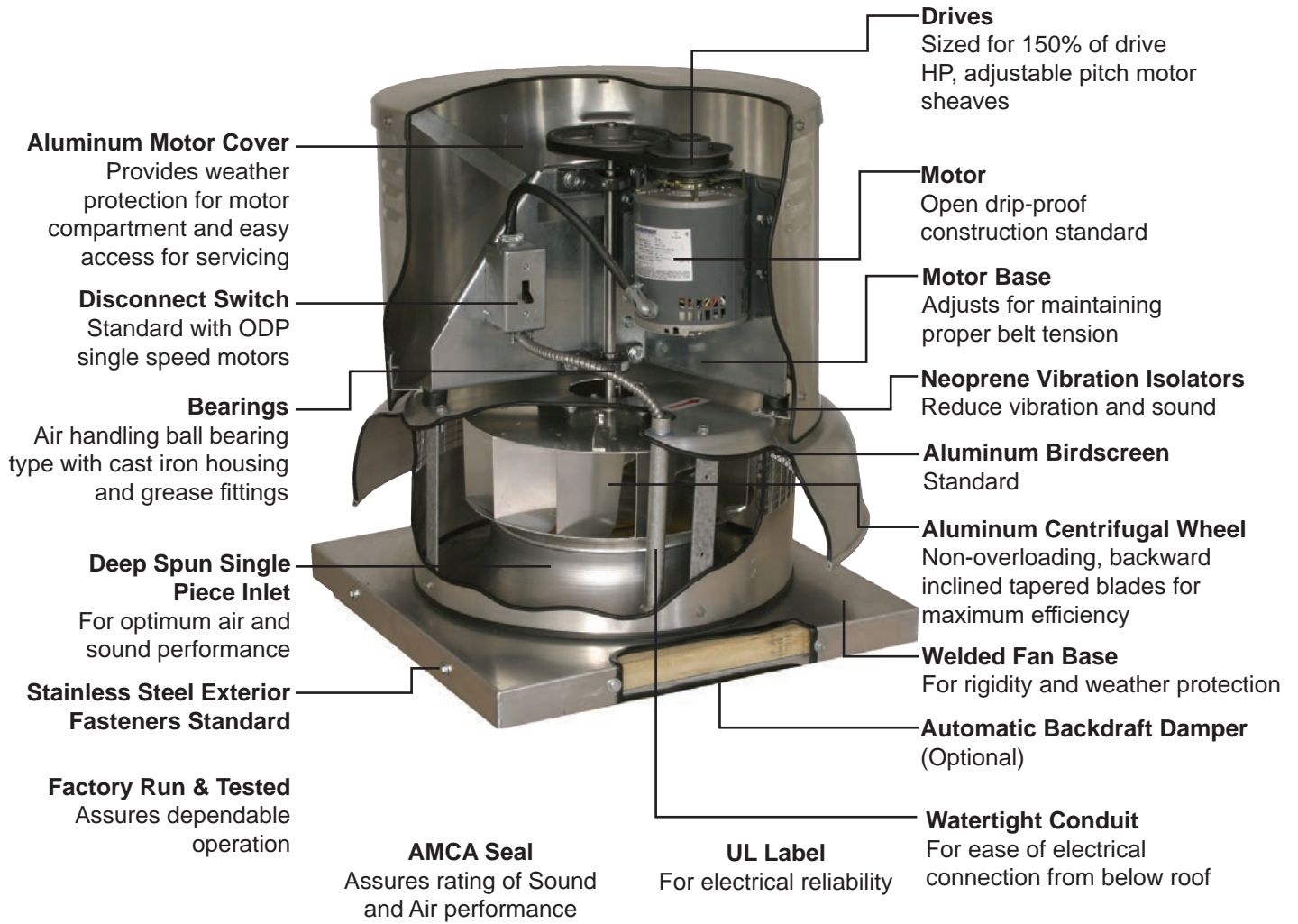


Model DB is available in our Quickship program. Sizes 24-36 are available for next day, 3-day or 10-day shipping from stock.

Industry best 5 year fan housing warranty, 1 year motor warranty



CONSTRUCTION FEATURES AND OPTIONS





CONSTRUCTION/SPECIFICATION CHECKLIST

Housing

- Curb cap with integral deep spun inlet for efficient performance.
- Heavy-gauge aluminum for extra strength.
- Designed for maximum weather protection and attractive appearance.
- Heavy-gauge motor support for rigidity and strength.
- Neoprene isolators for reduction of vibration and sound.
- Quick-Release latches on motor cover for easy access to motor compartment.
- Water tight conduit tube for easy electrical connection from below roof.
- Aluminum birdscreen standard.
- Stainless steel fasteners on exterior.

Centrifugal Wheel

- All aluminum wheel.
- Backward inclined for efficiency at higher static pressure.
- Non-overloading for safe operation in ducted systems.
- Tapered blades for efficiency and quiet operation.
- Heavy aluminum hub for extra strength.
- Statically and dynamically balanced for smooth operation.

Motors

- 1 year warranty.
- Brands are nationally recognized and locally serviced.
- Single speed open drip-proof are standard.
- Explosion-proof, totally enclosed and two-speed motors are available.
- All motors are rated for continuous duty.
- 182T and larger motors shipped unmounted for field installation.
- Disconnect switch standard on single speed drip-proof and totally enclosed motors.

Drives

- Sized for minimum 150% of drive horsepower.
- Machined cast iron adjustable motor pulleys.
- Adjustable base for belt tensioning.
- Non-static oil resistant V-Belts.

Bearings

- Heavy-duty ball bearing type.
- Pre-lubricated and permanently sealed.
- 5 year warranty.

AMCA Seal

- Assures accuracy of Air and Sound Performance.

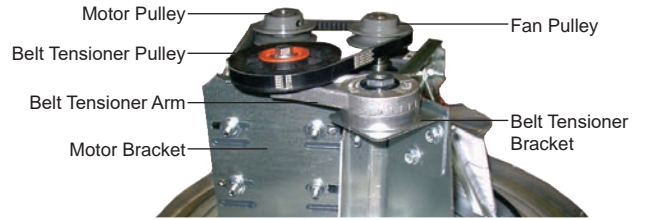
cULus Label

- cULus 705 listing assures electrical safety and reliability.
- cULus 705 must be specified when required.

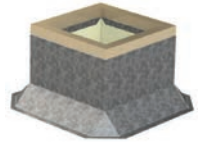


OPTIONS/ACCESSORIES

Automatic Belt Tensioner: Available on sizes 6-24, The Automatic Belt Tensioners eliminate the need for regular manual retensioning of drives, and the risk of inadvertently over-tensioning drive components is avoided and overall drive operating efficiency is enhanced. Benefits include reduction in startup and maintenance costs, increased belt life, increased drive efficiency, and ensure drive components do not snag obstructions.



Roof Curb: Prefabricated heavy-gauge galvanized steel, welded construction, 12" high (other heights are also available) with 1-1/2" wood nailer. Assures perfect fit of exhauster to roof opening. Options include burglar bars, single or double pitch construction and hinged curbs for easy duct access.



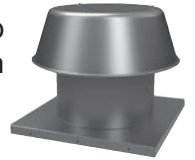
Sound Curb: Option of thermal acoustical lining or a complete maximum sound attenuating baffle system. Provision for mounting damper is available. Contact factory for information regarding effect on exhauster air performance and sound level.

Motor Operated Damper: Motor operated aluminum damper for positive closure against backdraft.



Automatic Damper: Automatic aluminum damper for ease in installation and effective backdraft protection.

Companion Gravity Units: Model RCX-II comes in a wide range of sizes and air capacities to provide relief or intake air to the system. Curbs and dampers are available to fit all sizes. Spun aluminum hoods provide a pleasing appearance, complementing the Model DB exhauster.



Special Coatings: Powered roof exhausters often require special coatings for protective and decorative purposes. Available coatings include: Synthetic Resin, Epoxy, and Heresite (air-dried phenolic). Contact your representative or the factory for more information on available coatings and colors.

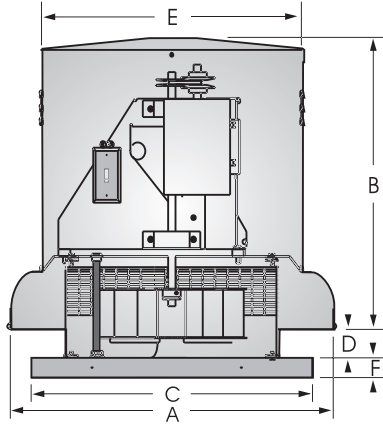
Curb Hinge Arrangement: The curb hinge arrangement provides easy access to the exhaust fan, backdraft damper, and duct for servicing and cleaning.



MODEL DB
BELT DRIVE CENTRIFUGAL ROOF EXHAUSTER



SIZE 24



Dimensional Data										
Damper OD	Roof Opening	Curb OD	A	B	C	D	E	F	Fan Wt	Ship Wt
30	30-3/4	33-3/4	41-1/4	26-1/2	35-3/4	8-1/2	30	2-1/2	155	290

CFM / BHP @ Static Pressure / Sones											Drive Range	RPM	HP	Tip Speed
0	1/8	1/4	3/8	1/2	5/8	3/4	7/8	1	1-1/4	Catalog Number				
3286	2405	-	-	-	-	-	-	-	-	2401	DP45	330	1/4	2102
.09/5.1	.10/3.9	-	-	-	-	-	-	-	-			365	1/4	2325
3634	2914	-	-	-	-	-	-	-	-	2402	DP46	400	1/4	2548
.12/6.1	.14/5.2	-	-	-	-	-	-	-	-			450	1/4	2867
3983	3364	1948	-	-	-	-	-	-	-	2403	DP47	470	1/3	2994
.16/7.2	.18/6.6	.15/4.8	-	-	-	-	-	-	-			490	1/3	3121
4480	3949	3090	-	-	-	-	-	-	-	2404	DP48	540	1/2	3440
.23/9.0	.25/8.4	.25/6.9	-	-	-	-	-	-	-			560	1/2	3567
4680	4176	3453	1852	-	-	-	-	-	-	2405	DP49	590	3/4	3758
.26/9.7	.28/9.2	.29/7.8	.22/6.8	-	-	-	-	-	-			610	3/4	3886
4879	4400	3751	2388	-	-	-	-	-	-	2406	DP50	645	3/4	4109
.30/10.2	.32/9.7	.33/8.6	.27/7.3	-	-	-	-	-	-			680	1	4332
5376	4952	4436	3483	2055	-	-	-	-	-	2407	DP51	710	1	4523
.40/11.7	.42/11.3	.44/10.8	.41/9.0	.32/8.6	-	-	-	-	-			750	1-1/2	4778
5576	5169	4688	3972	2614	-	-	-	-	-	2408	DP52	785	1-1/2	5000
.44/12.4	.47/11.9	.49/11.5	.48/9.8	.40/8.8	-	-	-	-	-			820	1-1/2	5223
5874	5493	5048	4447	3296	1791	-	-	-	-	2409	DP53	855	2	5446
.52/13.4	.55/12.9	.57/12.5	.57/11.2	.50/9.9	.38/9.8	-	-	-	-			900	2	5733
6073	5706	5282	4735	3702	2487	-	-	-	-	2410	DP54	925	3	5892
.57/14.2	.60/13.5	.63/13.2	.63/12.1	.57/10.6	.48/10.8	-	-	-	-			960	3	6115
6422	6078	5683	5219	4557	3374	1906	-	-	-	2411	DP55	980	3	6243
.68/15.6	.71/14.9	.74/14.3	.75/13.8	.73/12.2	.63/11.3	.49/11.1	-	-	-			1000	3	6370
6770	6447	6077	5670	5117	4097	3051	-	-	-	2412	DP56			
.80/17.0	.83/16.4	.86/15.9	.88/15.3	.87/14.0	.79/13.1	.70/12.4	-	-	-					
7069	6761	6412	6033	5549	4848	3773	2570	-	-	2413	DP57			
.91/18.3	.94/17.7	.97/17.2	.99/16.7	1.00/15.5	.96/14.6	.85/14.0	.72/13.8	-	-					
7467	7177	6854	6502	6096	5566	4594	3685	2423	-	2414	DP58			
1.07/20	1.10/19.5	1.14/19.0	1.16/18.5	1.18/17.9	1.17/16.7	1.07/16.0	.97/15.4	.80/15.3	-					
7816	7540	7235	6904	6545	6077	5479	4451	3518	-	2415	DP59			
1.22/22	1.26/21	1.30/21	1.33/20	1.35/19.7	1.35/18.6	1.32/17.8	1.18/17.2	1.07/16.6	-					
8164	7902	7613	7299	6968	6567	6073	5180	4360	-	2416	DP60			
1.40/23	1.43/23	1.47/22	1.51/22	1.53/21	1.54/21	1.53/19.7	1.42/19.0	1.31/18.4	-					
8513	8262	7988	7691	7380	7029	6587	6059	5077	3286	2417	DP61			
1.58/25	1.62/24	1.66/24	1.70/24	1.73/23	1.74/23	1.74/22	1.71/21	1.56/20	1.29/20					
8961	8723	8467	8190	7899	7590	7218	6775	6180	4490	2418	DP62			
1.85/27	1.89/27	1.93/26	1.97/26	2.00/26	2.03/25	2.04/24	2.02/24	1.97/23	1.69/22					
9210	8979	8731	8464	8182	7888	7550	7136	6665	5053	2419	DP63			
2.00/28	2.05/28	2.09/28	2.13/27	2.17/27	2.19/27	2.21/26	2.20/25	2.18/25	1.91/23					
9558	9337	9099	8846	8576	8299	7998	7631	7211	5760	2420	DP64			
2.24/30	2.28/30	2.33/29	2.37/29	2.41/28	2.44/28	2.47/28	2.47/27	2.46/26	2.22/25					
9757	9541	9309	9062	8800	8530	8243	7902	7503	6189	2421	DP65			
2.38/31	2.43/30	2.47/30	2.52/30	2.56/29	2.59/29	2.62/29	2.63/28	2.62/27	2.42/26					
9956	9744	9518	9278	9023	8760	8483	8166	7789	6753	2422	DP66			
2.53/31	2.58/31	2.63/31	2.67/30	2.71/30	2.75/30	2.78/30	2.79/29	2.79/28	2.67/27					

Power Ratings (BHP) does not include drive losses.
 Performance certified is for installation type A - free inlet, free outlet.
 Performance ratings include the effects of birdscreen in the airstream.
 The sound ratings shown are loudness values in fan sones @ 5' (1.5m) in a hemispherical free field calculated per AMCA Standard 301. Values shown are for: Installation Type A: free inlet hemispherical sone levels.



S&P USA Ventilation Systems, LLC., Div. of Soler & Palau Ventilation Group, certifies that the Models DB shown herein are licensed to bear the AMCA Seal. The ratings shown are based on test and procedures performed in accordance with AMCA Publication 211 and AMCA Publication 311 and comply with the requirement of the AMCA Certified Ratings Program.

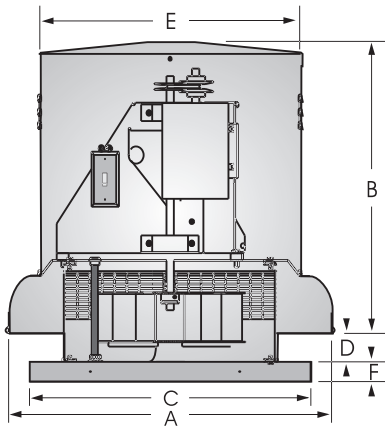




MODEL DB
BELT DRIVE CENTRIFUGAL ROOF EXHAUSTER



SIZE 30



Dimensional Data										
Damper OD	Roof Opening	Curb OD	A	B	C	D	E	F	Fan Wt	Ship Wt
36	37-1/4	40-3/4	58-3/8	37	42-1/2	5-1/2	41	2-1/2	265	465

CFM / BHP @ Static Pressure / Sones											Drive Range	RPM	HP	Tip Speed
0	1/8	1/4	3/8	1/2	5/8	3/4	7/8	1	1-1/4	Catalog Number				
4068 .09/2.7	2456 .09/2.5	-	-	-	-	-	-	-	-	3001	DP53	235	1/3	1871
4588 .13/3.4	3300 .14/3.2	-	-	-	-	-	-	-	-	3002		265	1/3	2110
5107 .18/4.2	4015 .19/3.6	1930 .15/3.4	-	-	-	-	-	-	-	3003	DP54	295	1/3	2349
5626 .24/5.0	4681 .26/4.1	3220 .24/3.6	-	-	-	-	-	-	-	3004		325	1/3	2588
6146 .32/5.8	5311 .34/4.7	4149 .33/5.0	-	-	-	-	-	-	-	3005	DP55	355	1/3	2827
6665 .40/6.6	5916 .43/5.3	4921 .43/6.2	3455 .38/6.1	-	-	-	-	-	-	3006		385	1/2	3066
7098 .49/7.3	6406 .51/5.9	5512 .52/6.6	4350 .49/6.4	2246 .38/6.8	-	-	-	-	-	3007	DP56	410	1/2	3265
7531 .58/8.1	6888 .61/6.7	6081 .62/7.1	5087 .60/7.0	3601 .53/6.9	-	-	-	-	-	3008		435	3/4	3464
8050 .71/9.1	7456 .74/7.6	6735 .76/7.7	5866 .75/8.5	4743 .71/8.2	2961 .59/8.1	-	-	-	-	3009	DP57	465	3/4	3703
8483 .83/9.8	7925 .86/8.4	7262 .89/8.2	6468 .89/8.9	5528 .85/8.8	4179 .77/8.0	-	-	-	-	3010		490	1	3902
8916 .97/10.6	8388 1.00/9.2	7775 1.03/8.7	7047 1.03/9.4	6215 1.01/9.2	5132 .95/8.6	3571 .82/8.8	-	-	-	3011	DP58	515	1	4101
9608 1.21/12.0	9124 1.25/10.6	8574 1.30/9.5	7937 1.30/10.2	7213 1.28/11.0	6385 1.25/9.0	5286 1.17/8.9	3788 1.02/8.7	-	-	3012		555	1-1/2	4419
10214 1.46/13.2	9761 1.49/11.7	9257 1.55/10.6	8683 1.55/11.0	8030 1.55/11.7	7315 1.53/12.6	6472 1.48/12.4	5352 1.38/12.2	3860 1.21/21.6	-	3013	DP59	590	1-1/2	4698
10820 1.73/14.5	10395 1.77/13.1	9928 1.84/11.8	9405 1.84/11.7	8817 1.85/12.6	8171 1.84/13.3	7460 1.80/13.0	6604 1.74/12.8	5497 1.62/12.7	-	3014		625	2	4977
11339 1.99/15.6	10936 2.03/14.2	10496 2.07/13.1	10010 2.10/12.6	9469 2.13/13.2	8871 2.12/14.0	8231 2.10/14.8	7507 2.05/14.6	6617 196/14.0	4024 1.61/13.8	3015	DP60	655	2	5215
11859 2.28/16.7	11474 2.32/15.4	11058 2.36/14.3	10605 2.40/13.4	10104 2.43/14.0	9552 2.43/14.7	8960 2.42/15.4	8319 2.38/15.1	7584 2.32/14.7	5573 2.07/14.5	3016		685	3	5454
12378 2.59/17.9	12011 2.64/16.5	11617 2.68/15.4	11190 2.72/14.4	10724 2.75/14.8	10213 2.77/15.4	9660 2.76/16.1	9076 2.73/16.9	8434 2.69/16.8	6767 2.49/17.9	3017	715	3	5693	
12897 2.93/19.1	12546 2.98/17.9	12171 3.02/16.7	11768 3.06/15.7	11332 3.10/15.6	10857 3.13/16.2	10343 3.13/16.9	9798 3.11/17.6	9220 3.07/18.5	7827 2.93/19.4	3018	745	3	5932	
13330 3.24/20	12991 3.29/18.9	12630 3.33/17.8	12245 3.37/16.8	11831 3.41/16.4	11383 3.45/16.9	10899 3.46/17.6	10381 3.45/18.3	9841 3.42/19.1	8602 3.31/19.8	3019	770	5	6131	
13936 3.70/22	13612 3.75/20	13270 3.80/19.4	12907 3.84/18.3	12520 3.88/17.4	12104 3.92/18.0	11657 3.95/18.6	11179 3.95/19.3	10676 3.93/19.9	9580 3.84/21	3020	805	5	6410	
14542 4.20/23	14232 4.26/22	13907 4.31/21	13563 4.35/19.9	13199 4.40/19.0	12811 4.44/19.1	12396 4.48/19.6	11954 4.49/20	11485 4.48/21	10487 4.41/22	3021	840	5	6689	
15148 4.75/24	14851 4.81/23	14540 4.86/22	14214 4.91/22	13871 4.96/21	13507 5.00/20	13120 5.04/21	12709 5.07/21	12273 5.08/22	11344 5.03/23	3022	875	5	6967	

Power Ratings (BHP) does not include drive losses.
Performance certified is for installation type A - free inlet, free outlet.
Performance ratings include the effects of birdscreen in the airstream.
The sound ratings shown are loudness values in fan sones @ 5' (1.5m) in a hemispherical free field calculated per AMCA Standard 301. Values shown are for: Installation Type A: free inlet hemispherical sone levels.



S&P USA Ventilation Systems, LLC., Div. of Soler & Palau Ventilation Group, certifies that the Models DB shown herein are licensed to bear the AMCA Seal. The ratings shown are based on test and procedures performed in accordance with AMCA Publication 211 and AMCA Publication 311 and comply with the requirement of the AMCA Certified Ratings Program.

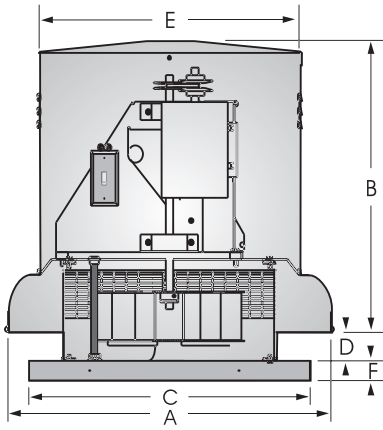




MODEL DB
BELT DRIVE CENTRIFUGAL ROOF EXHAUSTER



SIZE 36



Dimensional Data										
Damper OD	Roof Opening	Curb OD	A	B	C	D	E	F	Fan Wt	Ship Wt
36	37-1/4	40-3/4	58-3/8	37	42-1/2	10	41	2-1/2	275	475

CFM / BHP @ Static Pressure / Sones										Catalog Number	Drive Range	RPM	HP	Tip Speed	
0	1/8	1/4	3/8	1/2	5/8	3/4	7/8	1	1-1/4						
5995	3550	-	-	-	-	-	-	-	-	3601	DP61	210	1/2	1945	
.16/3.9	.14/3.0	-	-	-	-	-	-	-	-	3602		235	1/2	2177	
6708	4887	-	-	-	-	-	-	-	-	3603		260	1/2	2408	
.22/4.9	.22/4.1	-	-	-	-	-	-	-	-	3604		285	1/2	2640	
7422	5964	-	-	-	-	-	-	-	-	3605		DP62	310	1/2	2871
.30/5.9	.31/5.2	-	-	-	-	-	-	-	-	3606			330	3/4	3057
8136	6868	4443	-	-	-	-	-	-	-	3607		DP63	355	3/4	3288
.40/7.0	.42/6.4	.35/5.6	-	-	-	-	-	-	-	3608			370	1	3427
8849	7708	5686	-	-	-	-	-	-	-	3609		DP64	385	1	3566
.51/8.2	.53/7.7	.48/6.8	-	-	-	-	-	-	-	3610			400	1-1/2	3705
9420	8361	6793	4157	-	-	-	-	-	-	3611	DP65	415	1-1/2	3844	
.62/9.2	.64/8.8	.62/8.0	.49/7.1	-	-	-	-	-	-	3612		430	1-1/2	3983	
10134	9166	7936	5730	-	-	-	-	-	-	3613	DP66	445	1-1/2	4122	
.77/10.1	.80/9.7	.80/9.1	.68/8.3	-	-	-	-	-	-	3614		470	2	4353	
10562	9646	8521	6450	3321	-	-	-	-	-	3615	DP67	490	2	4539	
.87/10.7	.90/10.3	.91/9.7	.80/8.9	.57/8.8	-	-	-	-	-	3616		510	3	4724	
10990	10122	9075	7268	5137	-	-	-	-	-	3617	DP67	535	3	4955	
.98/11.3	1.02/10.8	1.02/10.3	.94/9.7	.80/9.0	-	-	-	-	-	3618		560	3	5187	
11418	10593	9607	8102	6133	-	-	-	-	-	3619	DP67	580	5	5372	
1.10/11.9	1.14/11.4	1.15/10.9	1.09/10.3	.96/9.7	-	-	-	-	-	3620		620	5	5742	
11846	11060	10120	8852	6860	3994	-	-	-	-	3621	DP67	640	5	5928	
1.23/12.6	1.27/12.0	1.28/11.6	1.25/10.9	1.10/10.4	.84/10.2	-	-	-	-	3622		660	5	6113	
12275	11524	10623	9521	7583	5709	-	-	-	-						
1.37/13.3	1.41/12.8	1.43/12.2	1.41/11.6	1.26/11.1	1.11/10.5	-	-	-	-						
12703	11985	11118	10124	8417	6731	-	-	-	-						
1.52/14.3	1.56/13.6	1.58/13.0	1.57/12.4	1.45/11.8	1.31/11.3	-	-	-	-						
13416	12747	11931	11059	9774	7958	6170	-	-	-						
1.79/15.5	1.83/15.0	1.86/14.6	1.86/14.0	1.79/13.3	1.62/12.7	1.44/12.2	-	-	-						
13987	13351	12574	11770	10712	8982	7516	4507	-	-						
2.03/16.7	2.08/16.2	2.10/15.7	2.11/15.2	2.08/14.6	1.90/14.1	1.76/13.5	1.34/13.2	-	-						
14558	13953	13218	12453	11540	10114	8485	6849	-	-						
2.29/17.9	2.34/17.4	2.37/17.0	2.38/16.5	2.37/15.9	2.23/15.2	2.05/14.7	1.86/14.2	-	-						
15272	14701	14015	13287	12489	11391	9739	8401	6406	-						
2.64/19.4	2.69/18.9	2.73/18.5	2.74/18.1	2.74/17.6	2.67/17.0	2.47/16.4	2.32/15.8	2.03/15.6	-						
15986	15445	14803	14106	13387	12494	11151	9603	8338	-						
3.03/21	3.09/21	3.12/20	3.14/19.7	3.15/19.3	3.12/18.7	2.96/18.2	2.75/17.6	2.59/17.1	-						
16556	16038	15427	14754	14078	13283	12187	10640	9371	-						
3.36/22	3.42/22	3.47/22	3.49/21	3.50/21	3.49/20	3.38/19.5	3.15/19.0	2.99/18.5	-						
17698	17218	16663	16040	15416	14752	13951	12842	11372	8936						
4.11/25	4.17/25	4.22/24	4.25/24	4.27/24	4.28/23	4.25/23	4.10/22	3.85/21	3.47/20						
18269	17806	17275	16680	16072	15450	14727	13803	12509	10068						
4.52/26	4.59/26	4.64/26	4.67/25	4.69/25	4.70/25	4.69/24	4.60/24	4.37/23	3.97/22						
18840	18393	17884	17315	16722	16130	15470	14678	13586	11030						
4.96/28	5.03/27	5.08/27	5.12/27	5.14/27	5.16/26	5.15/26	5.11/25	4.93/25	4.46/23						

Power Ratings (BHP) does not include drive losses.
 Performance certified is for installation type A - free inlet, free outlet.
 Performance ratings include the effects of birdscreen in the airstream.
 The sound ratings shown are loudness values in fan sones @ 5' (1.5m) in a hemispherical free field calculated per AMCA Standard 301. Values shown are for: Installation Type A: free inlet hemispherical sone levels.



S&P USA Ventilation Systems, LLC., Div. of Soler & Palau Ventilation Group, certifies that the Models DB shown herein are licensed to bear the AMCA Seal. The ratings shown are based on test and procedures performed in accordance with AMCA Publication 211 and AMCA Publication 311 and comply with the requirement of the AMCA Certified Ratings Program.

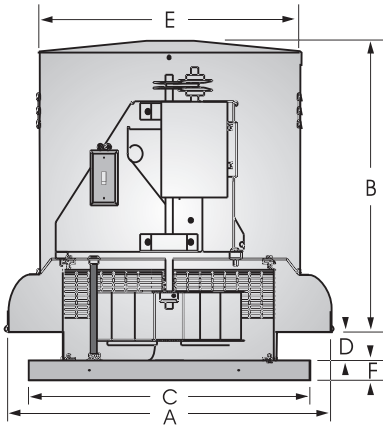




MODEL DB
BELT DRIVE CENTRIFUGAL ROOF EXHAUSTER



SIZE 42



Dimensional Data										
Damper OD	Roof Opening	Curb OD	A	B	C	D	E	F	Fan Wt	Ship Wt
48	50-1/4	53-1/4	73	40-1/2	55	10	54-5/8	2-1/2	425	700

CFM / BHP @ Static Pressure / Sones											Drive Range	RPM	HP	Tip Speed
0	1/8	1/4	3/8	1/2	5/8	3/4	7/8	1	1-1/4	Catalog Number				
8498 .22/4.8	4889 .20/4.4	-	-	-	-	-	-	-	-	4201	DP68	180	1/2	1966
9206 .28/5.5	6287 .28/5.1	-	-	-	-	-	-	-	-	4202		195	1/2	2129
9914 .35/6.3	7461 .36/5.9	-	-	-	-	-	-	-	-	4203	DP69	210	1/2	2293
10622 .43/7.1	8475 .45/6.8	-	-	-	-	-	-	-	-	4204		225	1/2	2457
11330 .52/7.9	9396 .55/7.6	4910 .40/7.4	-	-	-	-	-	-	-	4205	DP70	240	1/2	2621
12275 .66/9.0	10579 .70/8.8	7451 .62/8.6	-	-	-	-	-	-	-	4206		260	3/4	2839
12983 .78/9.8	11450 .83/9.5	8825 .78/9.2	-	-	-	-	-	-	-	4207	DP71	275	3/4	3003
13691 .92/10.5	12288 .97/10.2	10034 .94/9.9	4980 .63/9.8	-	-	-	-	-	-	4208		290	1	3167
14399 1.07/11.4	13101 1.12/11.0	11116 1.12/10.7	7740 .95/10.5	-	-	-	-	-	-	4209	DP72	305	1	3331
15343 1.29/12.7	14142 1.35/12.3	12411 1.36/11.9	9744 1.25/11.7	-	-	-	-	-	-	4210		325	1-1/2	3549
16051 1.48/13.6	14909 1.54/13.2	13323 1.56/12.9	11079 1.48/12.6	7073 1.16/12.6	-	-	-	-	-	4211	DP73	340	1-1/2	3713
16760 1.68/14.6	15670 1.75/14.3	14209 1.78/13.9	12276 1.73/13.6	9251 1.51/13.5	-	-	-	-	-	4212		355	2	3877
17468 1.91/15.7	16424 1.97/15.4	15097 2.01/15.1	13368 1.99/14.7	10756 1.81/14.6	-	-	-	-	-	4213	DP74	370	2	4040
17940 2.07/16.4	16925 2.13/16.0	15681 2.18/15.8	14051 2.17/15.5	11690 2.02/15.4	7879 1.61/15.3	-	-	-	-	4214		380	2	4150
18884 2.41/17.7	17921 2.47/17.5	16818 2.54/17.2	15321 2.54/16.9	13399 2.44/16.7	10674 2.19/16.6	-	-	-	-	4215	DP75	400	3	4368
20064 2.89/19.6	19158 2.96/19.4	18187 3.04/19.1	16827 3.05/18.9	15279 3.01/18.6	13084 2.82/18.5	10122 2.46/18.5	-	-	-	4216		425	3	4641
20536 3.10/20	19650 3.17/20	18722 3.26/19.9	17415 3.27/19.7	15970 3.25/19.4	13969 3.08/19.3	11354 2.79/19.2	-	-	-	4217	DP76	435	5	4750
21245 3.43/22	20388 3.50/21	19503 3.59/21	18303 3.62/21	16950 3.61/21	15203 3.49/21	12874 3.23/20	9401 2.69/20	-	-	4218		450	5	4914
21953 3.78/23	21123 3.85/23	20276 3.95/22	19182 4.00/22	17883 3.99/22	16350 3.91/22	14281 3.69/22	11720 3.34/22	-	-	4219	DP77	465	5	5078
22897 4.29/24	22101 4.36/24	21297 4.47/24	20323 4.53/24	19089 4.53/24	17764 4.50/24	16014 4.33/23	13804 4.04/23	10779 3.51/23	-	4220		485	5	5296
23605 4.71/26	22832 4.78/26	22057 4.88/25	21158 4.96/25	19975 4.96/25	18753 4.95/25	17204 4.82/25	15217 4.57/25	12857 4.20/25	-	4221	DP78	500	5	5460
23841 4.85/26	23076 4.92/26	22309 5.02/26	21432 5.11/26	20267 5.11/25	19070 5.11/25	17584 4.99/25	15675 4.75/25	13399 4.40/25	-	4222		505	5	5515

Power Ratings (BHP) does not include drive losses.
Performance certified is for installation type A - free inlet, free outlet.
Performance ratings include the effects of birdscreen in the airstream.
The sound ratings shown are loudness values in fan sones @ 5' (1.5m) in a hemispherical free field calculated per AMCA Standard 301. Values shown are for: Installation Type A: free inlet hemispherical sone levels



S&P USA Ventilation Systems, LLC., Div. of Soler & Palau Ventilation Group, certifies that the Models DB shown herein are licensed to bear the AMCA Seal. The ratings shown are based on test and procedures performed in accordance with AMCA Publication 211 and AMCA Publication 311 and comply with the requirement of the AMCA Certified Ratings Program.

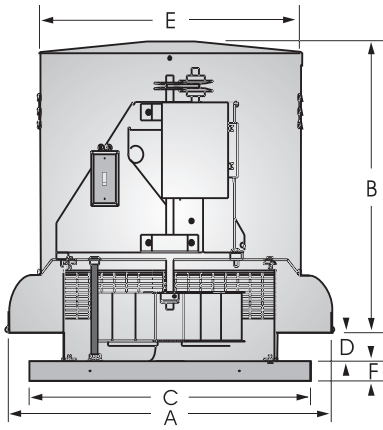




MODEL DB
BELT DRIVE CENTRIFUGAL ROOF EXHAUSTER



SIZE 48



Dimensional Data										
Damper OD	Roof Opening	Curb OD	A	B	C	D	E	F	Fan Wt	Ship Wt
48	50-1/4	53-1/4	73	40-1/2	55	13	54-5/8	2-1/2	550	830

CFM / BHP @ Static Pressure / Sones											Drive Range	RPM	HP	Tip Speed
0	1/8	1/4	3/8	1/2	5/8	3/4	7/8	1	1-1/4	Catalog Number				
9953 0.34/4.5	5916 0.29/4.5	-	-	-	-	-	-	-	-	4801	DP75	165	1/2	2037
10557 0.41/5.0	6969 0.37/5.0	-	-	-	-	-	-	-	-	4802		DP76	175	1/2
11462 0.52/5.9	8336 0.49/5.7	-	-	-	-	-	-	-	-	4803	DP77		190	1/2
12065 0.61/6.4	9166 0.58/6.3	-	-	-	-	-	-	-	-	4804		DP78	200	3/4
13271 0.81/7.6	10719 0.79/7.5	6702 0.64/7.5	-	-	-	-	-	-	-	4805	DP79		220	3/4
13875 0.93/8.2	11459 0.91/8.1	7978 0.78/8.0	-	-	-	-	-	-	-	4806		DP80	230	1
14478 1.06/8.9	12182 1.04/8.8	9095 0.93/8.6	-	-	-	-	-	-	-	4807	DP81		240	1
15383 1.27/9.6	13243 1.25/9.6	10571 1.16/9.3	6153 0.9/9.6	-	-	-	-	-	-	4808		DP82	255	1-1/2
16891 1.68/10.9	14963 1.67/10.9	12732 1.59/10.6	9568 1.4/10.8	-	-	-	-	-	-	4809	DP83		280	1-1/2
17494 1.87/11.4	15638 1.85/11.4	13535 1.78/11.1	10717 1.62/11.2	6483 1.27/11.8	-	-	-	-	-	4810		DP84	290	2
18399 2.17/12.2	16641 2.16/12.2	14696 2.1/12.0	12255 1.95/12.1	8622 1.65/12.6	-	-	-	-	-	4811	DP85		305	2
19304 2.51/13.1	17632 2.5/13.1	15818 2.44/13.0	13645 2.32/12.9	10639 2.06/13.4	6682 1.66/13.7	-	-	-	-	4812		DP86	320	3
19605 2.63/13.4	17961 2.62/13.4	16186 2.56/13.4	14085 2.44/13.3	11250 2.21/13.7	7354 1.8/14.1	-	-	-	-	4813	DP87		325	3
20812 3.14/14.9	19267 3.14/14.9	17627 3.09/14.9	15762 2.98/14.7	13440 2.79/14.8	10204 2.44/15.3	-	-	-	-	4814		DP88	345	3
22018 3.72/16.5	20560 3.72/16.5	19033 3.67/16.5	17344 3.58/16.3	15351 3.42/16.2	12772 3.14/16.6	9329 2.7/17.0	-	-	-	4815	DP89		365	5
22622 4.03/17.3	21204 4.03/17.3	19726 3.99/17.3	18109 3.9/17.1	16240 3.75/16.9	13902 3.5/17.2	10767 3.09/17.7	-	-	-	4816		DP90	375	5
23828 4.72/18.9	22483 4.72/18.9	21094 4.68/18.9	19600 4.6/18.8	17926 4.46/18.6	15941 4.25/18.6	13412 3.92/19.0	10186 3.43/19.3	-	-	4817	DP91		395	5
25034 5.47/21	23755 5.47/21	22443 5.44/21	21051 5.36/21	19525 5.24/20	17782 5.06/20	15680 4.79/20	12999 4.37/21	9847 3.83/21	-	4818		DP92	415	5
25939 6.08/22	24705 6.09/22	23445 6.06/22	22117 5.99/22	20682 5.88/22	19077 5.71/21	17201 5.47/22	14891 5.11/22	12003 4.6/22	-	4819	DP93		430	7-1/2
26543 6.52/23	25337 6.52/23	24108 6.49/23	22820 6.43/23	21438 6.32/23	19909 6.16/22	18154 5.94/22	16042 5.61/23	13404 5.14/23	-	4820		DP94	440	7-1/2
27447 7.21/25	26282 7.21/25	25097 7.19/25	23864 7.13/25	22551 7.03/24	21121 6.88/24	19514 6.67/24	17637 6.38/24	15351 5.98/24	9773 4.83/25	4821	DP95		455	7-1/2
28352 7.94/26	27224 7.95/26	26081 7.93/26	24896 7.87/26	23645 7.78/26	22297 7.64/25	20809 7.45/25	19114 7.19/25	17107 6.83/25	11869 5.73/26	4822		DP96	470	7-1/2

Power Ratings (BHP) does not include drive losses.
Performance certified is for installation type A - free inlet, free outlet.
Performance ratings include the effects of birdscreen in the airstream.
The sound ratings shown are loudness values in fan sones @ 5' (1.5m) in a hemispherical free field calculated per AMCA Standard 301. Values shown are for:
Installation Type A: free inlet hemispherical sone levels



S&P USA Ventilation Systems, LLC., Div. of Soler & Palau Ventilation Group, certifies that the Models DB shown herein are licensed to bear the AMCA Seal. The ratings shown are based on test and procedures performed in accordance with AMCA Publication 211 and AMCA Publication 311 and comply with the requirement of the AMCA Certified Ratings Program.



MODELS STXD & SDXDe

DIRECT DRIVE CENTRIFUGAL ROOF EXHAUSTERS

MODEL STXD DIRECT DRIVE CENTRIFUGAL ROOF EXHAUSTER



MODEL FEATURES

- Exhaust air up to 4,780 CFM in high static pressure applications up to 1-1/2" w.g.
- Attractive spun aluminum exterior
- Direct drive units have low sound levels and quiet operation
- Curved non-overloading backward inclined wheel for efficiency at higher static pressures
- Roof or sidewall mounting options
- AMCA Air and Sound Licensed
- cULus 705 or 762 Listed

APPLICATION CONSTRUCTION OPTIONS

MODEL NAME	TYPICAL APPLICATIONS
STXD	Removal of clean or contaminated air in general applications
STXDRHUL	UL762 listed for grease removal
STXDe	STXD with electronically commutated motor
STXDeRHUL	UL762 version of STXDe
STXDW	Wall mount version of STXD
STXDWRHUL	UL762 version of STXDW
STXDeW	Wall mount version of STXDe
STXDeWRHUL	UL762 version of STXDeW

MODEL OVERVIEW

Model STXD direct drive fans are designed to exhaust air up to 4,780 CFM in high static pressure applications to 1-1/2". The aluminum exterior provides an attractive appearance. The non-overloading backward inclined wheel with its higher static pressure capability makes this unit suitable for either ducted or nonducted applications. Its roof or wall mounting permits location near the area to be ventilated, allowing short duct runs and more efficient operation. Direct drive units use smaller diameter wheels with lower rpm's, resulting in low sound levels and quiet operation. They have no belts or fan bearings to maintain or adjust and consequently require very little maintenance.

Models STXD or STXDRHUL are available in our Quickship program. All sizes are available for next day or 10-day shipping from stock.

Isolation of the motor from the air stream and the high velocity vertical (roof) or horizontal (wall) air discharge make the Model STXD ideally suited for the removal of dirty, contaminated and/or high temperature air from processes and buildings. Typical applications include restaurant hoods and similar kitchen exhaust ventilation, fume and smoke removal, laboratory fume hood exhaust and chemical process exhaust.

Industry best 5 year fan housing warranty, 1 year motor warranty
STXDRHUL units have 2 year fan housing warranty



Upblast Model Overview & Construction Features

Model STXD & STXDe - Direct Drive

Size Range	6, 7, 8, 10, 12, 14, 15 & 16
Motor HP Range	1/25 to 1-1/2
CFM Range	55 to 4780
Static Pressure	up to 1-1/2 in. w.g.
Mounting	Suitable for Roof or Wall
Warranty	5 years/2 years for RHUL models



Applications

Exhaust Contaminated, Grease Laden and/or High Temperature Air

- Restaurant Hoods/Kitchen Ventilation
- Fume and Smoke Removal
- Laboratory Fume Hoods
- Chemical Process Exhaust



Upblast Model Overview & Construction Features

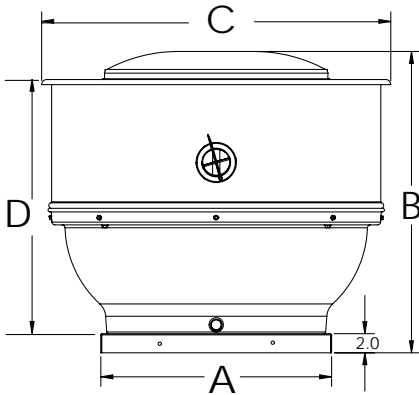
#	Feature	Description
1	Motor Cover	Heavy-gauge aluminum motor cover provides weather protection for motor compartment.
2	Motor Cover Cap	Heavy-gauge aluminum top with rolled bead for added strength and quick-release latches.
3	Quick-Release Latches	Stainless steel latches for easy removal of motor cover cap for access to the motor compartment and motor.
4	Motor	Open drip-proof enclosure standard, many other options available.
5	Bearings	Air handling ball bearing type with cast iron housing and grease fittings.
6	Vibration Isolators	Neoprene (rubber) vibration isolators to reduce vibration and noise.
7	Motor Mounting Plate	Heavy-gauge galvanized motor mounting plate.
8	Wheel	Aluminum, non-overloading, backward-inclined, curved centrifugal wheel for maximum efficiency. Each wheel is dynamically balanced for smooth operation and long life.
9	Cooling Vanes	Helps promote cooling of the motor and drive by pulling air through the motor compartment. Helps maximize the life of the motor and drives.
10	Curved Blades	Designed to provide more CFM per HP and lower sound levels.
11	Support Legs	4 heavy-gauge galvanized support legs to anchor the motor plate to the fan base for stability and vibration reduction.
12	Shroud	Spun aluminum fan shroud with rolled bead for extra strength. Fan shroud directs the exhausted air upward away from the mounting surface.
13	Exterior Fasteners	Stainless steel.
14	Inlet Venturi	Deep spun single piece inlet venturi for optimum air and sound performance
15	Curb Cap	Fully welded curb cap for rigidity and weather protection. Pre-punched mounting holes for ease of installation.
16	Drives	Sized for 150% of drive HP, adjustable pitch motor sheaves.
17	Lifting Lugs	Standard on all belt drive models, STXB, for easy and safe placement of the fan on roof.
18	Vent Tube	Oversized vent tube for maximum motor cooling.
19	Grease Drain Fitting	Grease drain fitting for connection of Grease Trough or Grease Grabber.
20	Disconnect Switch (not shown)	Standard with ODP and TE single speed motors. Ships loose.



DIMENSIONS

Dimensions in Inches

Model STXD & STXDe: Direct Drive Centrifugal Upblast



Size	A	B	C	D	Roof Opening	Curb O.D.	Damper (O.D.)	Average Ship Wt. Lbs.
6	18.1	25.3	28.6	20.3	13 1/2	16 1/2	12	90
7	18.1	25.3	28.6	20.3	13 1/2	16 1/2	12	89
8	18.1	25.3	28.6	20.3	13 1/2	16 1/2	12	98
10	18.1	25.3	28.6	20.3	13 1/2	16 1/2	12	114
12	20.1	26.9	31.3	21.9	15 1/2	18 1/2	14	118
14	20.1	26.9	31.3	21.9	15 1/2	18 1/2	14	117
15	24.1	27.6	36.5	22.6	19 1/2	22 1/2	18	135
16	24.1	27.6	36.5	22.6	19 1/2	22 1/2	18	136



OPTIONS/ACCESSORIES

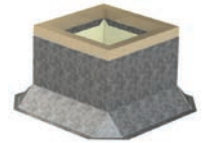
Solid State Speed Control (STXD): S&P's solid state control is matched to the motor and blower wheel to allow continuous reduction in performance allowing adjustments of airflow for system balancing. CFM is reduced in direct proportion to motor speed reduction. Speed control is available for 115 or 230 volt single phase. Exhauster performance can be controlled from the ventilated area.



Constant Pressure Controls (STXDe): (Not for UL762 use) For constant pressure control applications, the S&P constant pressure control package is available. This package includes the components that are needed to complete a demand-based exhaust ventilation system for kitchens, bathrooms, and/or clothes dryer exhaust in multi-story buildings. S&P recognized that the programming procedure for many constant pressure controls can be challenging, so this package is the simplest system available. The control box can be easily installed in the field, either mounted on a curb or inside the building. The backlit LCD display and pressure transducer are pre-programmed to work together to increase or reduce the speed of the fan to accommodate for the actual demand.

Potentiometer Shipped Loose (STXDe): If a variable rate that is manually changed by the operator from the occupied space is desired, the potentiometer is shipped loose and field installed in the appropriate accessible location. Simply rotating the dial will vary the speed of the fan from 20% to 100% full speed.

Roof Curb: Prefabricated heavy-gauge galvanized steel, welded construction, 12" high (other heights are also available) with 1-1/2" wood nailer. Assures perfect fit of exhauster to roof opening. Options include burglar bars, single or double pitch construction and hinged curbs for easy duct access.



Common Curb: Designed to allow both the supply fan and exhaust fan to be mounted on the same curb. This curb requires only one roof opening and speeds installation time.

Motor Operated Damper: Motor operated aluminum damper for positive closure against backdraft. (Not for UL762 use).



Automatic Damper: Automatic aluminum damper for ease in installation and effective backdraft protection. (Not for UL762 use).

Grease Grabber or Aluminum Grease Trough: Trap designed for fast and inexpensive replacement. Grease collects in a container for safe and sanitary disposal. Keeps roof clean with proper use.

Curb Hinge Arrangement: The curb hinge arrangement provides easy access to the exhaust fan, backdraft damper, and duct for servicing and cleaning.

Birdscreen: To protect the fan from birds and other large objects. (Ships installed when ordered with Build-to-order fans; ships loose when ordered with stock fans/Quickship)

Insect Screen: Helps prevent insects, snow, airborne mist or water droplets from entering. (Ships installed when ordered with Build-to-order fans)

Special Coatings: Powered roof exhausters often require special coatings for protective and decorative purposes. Available coatings include: Synthetic Resin, Epoxy, and Heresite (air-dried phenolic). Contact your representative or the factory for more information on available coatings and colors.



eMotor - Electronically Commutated Motor

S&P's eMotor is 115/230V and 50/60 Hz and is available in 1/4, 1/3 and 1/2 HP. This fully controllable motor offers both reliability and low maintenance in one of the most efficient motor fan combinations in the industry.

When used in S&P's eRED downblast fan, the eMotor is the ideal solution for a low cost, fully controlled ventilation system. This motor in the eRED can exhaust air volume up to 3,000 CFM, equal to that of a belt drive fan, with all the benefits and low maintenance of a direct drive fan.

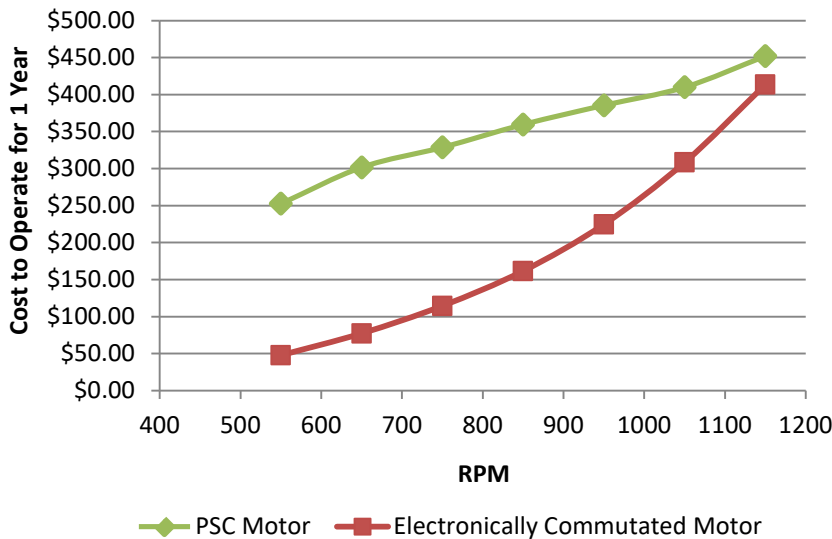


Features and Advantages

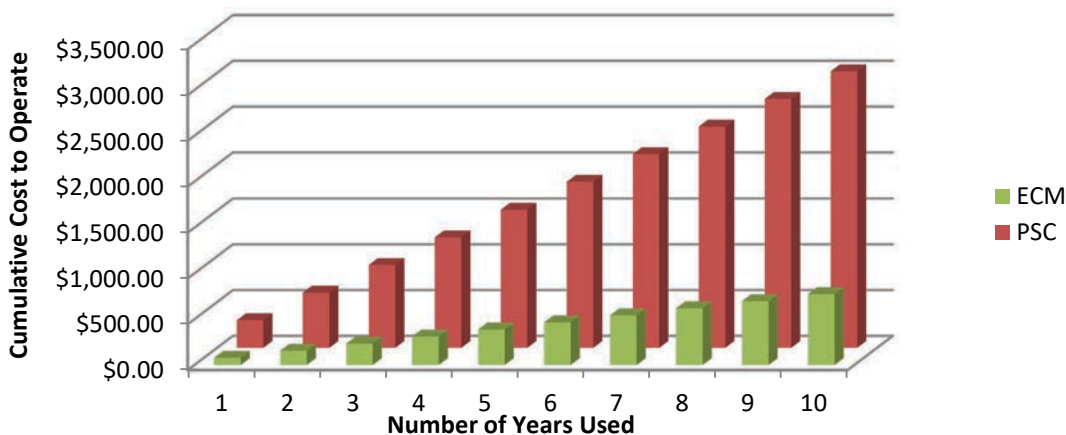
- Easy speed control by DC 0-10 V variation or EC style speed controller
- Motor has motor mounted potentiometer with digital readout for easy speed adjustment
- Unit can be controlled by a PC or building management system
- Motor has 80% usable turndown vs. 30% on a PSC motor
- Internal motor circuitry converts 115/230 V single phase AC power to DC voltage for increased efficiencies.
- Motor is 115/230 V and 50/60 Hz
- cULus 705 Listing

Energy Savings = \$ Savings

eRED with 1/2 HP Motor - Continuous Ventilation



Cost to Operate Motors @ 650 RPM Continuous Ventilation





Constant Pressure Control Options

Constant Pressure Controls: For constant pressure control applications, the S&P constant pressure control package is available. This package includes the components that are needed to complete a demand-based exhaust ventilation system for kitchens, bathrooms, and/or clothes dryer exhaust in multi-story buildings.

S&P recognized that the programming procedure for many constant pressure controls can be challenging, so this package is the simplest system available. The control box can be easily installed in the field, either mounted on a curb or inside the building. The backlit LCD display and pressure transducer are pre-programmed to work together to increase or reduce the speed of the fan to accommodate for the actual demand.

Potentiometer Shipped Loose: If a variable rate that is manually changed by the operator from the occupied space is desired, the potentiometer is shipped loose and field installed in the appropriate accessible location. Simply rotating the dial will vary the speed of the fan from 20% to 100% full speed.



Control Box



Sensor



Potentiometer



CONSTRUCTION/SPECIFICATION CHECKLIST

Housing

- Curb cap with integral deep single piece spun inlet for efficient performance and prevention of leakage into ductwork.
- Heavy-gauge aluminum housing and curb cap for strength and rigidity. Curb cap is galvanized steel on all UL762 units.
- Stainless steel exterior fasteners.
- Enclosed, ventilated motor compartment isolates motor from exhaust air.
- Neoprene isolators for reduction of vibration and sound.
- Quick-Release latches on motor cover for easy access to motor compartment.
- Water-tight conduit tube for easy electrical connection without having to wire through the breather tube.
- NFPA - Model STXD is suitable for National Fire Protection Association installations. Contact factory for required accessories.

Centrifugal Wheel

- All aluminum wheel.
- Backward-inclined for efficiency at higher static pressure.
- Non-overloading for safe operation in ducted systems.
- Curved blades for efficiency and quiet operation.
- Dynamically balanced for smooth operation.

Speed Controllable Motors (STXD)

- Brands are nationally recognized and locally serviced.
- Standard motors are single speed, speed controllable and drip-proof.
- All motors are rated for continuous duty.
- Disconnect switch is standard with drip-proof motors.
- Heavy-gauge steel motor brackets designed for maximum strength.

Electronically Commutated Motors (STXDe)

- Brands are nationally recognized and locally serviced.
- Easy speed control by DC 0-10 V variation.
- Motor has motor mounted potentiometer with digital readout for easy speed adjustment.
- Can be controlled by a PC or building management system.
- Motor has 80% usable turndown vs. 30% on a PSC motor.
- Internal motor circuitry converts 115/230 V single phase AC power to DC voltage for increased efficiencies.
- All motors are rated for continuous duty.
- Motor is 115/230V and 50/60 Hz.
- Disconnect is standard.
- Motors ship mounted as standard.

AMCA Seal

- Assures accuracy of Air and Sound Performance.

cULus Label

- cULus 705 Listed Power Roof Ventilator label assures electrical reliability.



SIZE 6

Motor HP	RPM		Static Pressure in Inches w.g.							
			0	.125	.25	.375	.5	.625	.75	
STXD6C 1/10 HP 1550 RPM	900	CFM	125	92	-	-	-	-	-	
		BHP	0.01	0.01	-	-	-	-	-	
		Sones	2.1	1.7	-	-	-	-	-	
	1050	CFM	145	119	81	-	-	-	-	
		BHP	0.01	0.01	0.01	-	-	-	-	
		Sones	3.1	2.6	2.7	-	-	-	-	
	1200	CFM	166	144	117	61	-	-	-	
		BHP	0.01	0.02	0.02	0.02	-	-	-	
		Sones	4.2	3.7	3.6	3.8	-	-	-	
	1350	CFM	187	168	145	116	56	-	-	
		BHP	0.02	0.02	0.02	0.03	0.03	-	-	
		Sones	5.4	4.9	4.8	4.8	5.0	-	-	
	1500	CFM	208	190	170	149	119	58	-	
		BHP	0.03	0.03	0.03	0.03	0.04	0.04	-	
		Sones	6.6	6.1	5.9	5.9	6.0	6.2	-	
	1650	CFM	225	208	191	172	149	115	56	
		BHP	0.04	0.04	0.04	0.04	0.04	0.05	0.04	
		Sones	7.5	7.1	6.9	6.8	6.8	6.9	7.1	
	STXD6 1/10 HP 1550 RPM	900	CFM	170	123	-	-	-	-	-
			BHP	0.01	0.01	-	-	-	-	-
			Sones	2.1	1.8	-	-	-	-	-
		1050	CFM	199	160	95	-	-	-	-
			BHP	0.01	0.01	0.01	-	-	-	-
			Sones	3.0	2.7	2.8	-	-	-	-
1200		CFM	227	195	153	71	-	-	-	
		BHP	0.01	0.02	0.02	0.02	-	-	-	
		Sones	4.2	3.7	3.6	3.8	-	-	-	
1350		CFM	255	228	194	147	65	-	-	
		BHP	0.02	0.02	0.02	0.03	0.03	-	-	
		Sones	5.3	5.0	4.8	4.9	5.0	-	-	
1500		CFM	284	259	230	196	143	68	-	
		BHP	0.03	0.03	0.03	0.03	0.04	0.04	-	
		Sones	6.6	6.3	6.1	5.9	6.1	6.2	-	
1650		CFM	308	285	259	231	194	133	68	
		BHP	0.03	0.04	0.04	0.04	0.05	0.05	0.05	
		Sones	7.5	7.2	7.0	6.9	6.9	7.0	7.1	

(1) Models STXD6/STXDe6 and STXD6C/STXDe6C have choke plate. Performance certified is for installation type A-free inlet, free outlet. Performance ratings include the effects of birdscreen in the airstream.

The sound ratings shown are loudness values in fan sones @ 5' (1.5m) in a hemispherical free field calculated per AMCA Standard 301. Values shown are for Installation Type A: free inlet hemispherical sone levels.

Speed (RPM) shown is nominal. Performance is based on actual speed of test.

Fan RPM performances may vary from actual current motor offerings for any given model. See Optimizer2 fan selection software for current motor RPM offerings



S&P USA Ventilation Systems, LLC., Div. of Soler & Palau Ventilation Group, certifies that the Models STXD shown herein are licensed to bear the AMCA Seal. The ratings shown are based on test and procedures performed in accordance with AMCA Publication 211 and AMCA Publication 311 and comply with the requirement of the AMCA Certified Ratings Program.



STXD & STXDe:
STANDARD 705 for Electrical
STXD:
STANDARD 762 for Grease Removal



SIZE 7

Motor HP	RPM		Static Pressure in Inches w.g.						
			0	.125	.25	.375	.5	.625	.75
STXD 1/10 HP 1550 RPM	900	CFM	242	150	-	-	-	-	-
		BHP	0.00	0.01	-	-	-	-	-
		Sones	2.4	1.9	-	-	-	-	-
	1050	CFM	283	209	104	-	-	-	-
		BHP	0.01	0.01	0.01	-	-	-	-
		Sones	3.3	2.7	3.1	-	-	-	-
	1200	CFM	323	261	182	83	-	-	-
		BHP	0.01	0.01	0.02	0.02	-	-	-
		Sones	4.2	3.7	3.8	4.2	-	-	-
	1350	CFM	363	310	244	163	78	-	-
		BHP	0.01	0.02	0.02	0.02	0.02	-	-
		Sones	5.3	4.9	4.8	5.1	5.5	-	-
	1500	CFM	404	356	302	236	155	82	-
		BHP	0.02	0.02	0.03	0.03	0.03	0.03	-
		Sones	6.5	6.1	6.0	6.0	6.3	6.7	-
	1650	CFM	437	394	345	287	223	145	80
		BHP	0.02	0.03	0.03	0.04	0.04	0.04	0.04
		Sones	7.7	7.1	6.9	6.8	7.0	7.3	7.8

Performance certified is for installation type A-free inlet, free outlet. Performance ratings include the effects of birdscreen in the airstream.

The sound ratings shown are loudness values in fan sones @ 5' (1.5m) in a hemispherical free field calculated per AMCA Standard 301. Values shown are for Installation Type A: free inlet hemispherical sone levels.

Speed (RPM) shown is nominal. Performance is based on actual speed of test.

Fan RPM performances may vary from actual current motor offerings for any given model. See Optimizer2 fan selection software for current motor RPM offerings



S&P USA Ventilation Systems, LLC., Div. of Soler & Palau Ventilation Group, certifies that the Models STXD shown herein are licensed to bear the AMCA Seal. The ratings shown are based on test and procedures performed in accordance with AMCA Publication 211 and AMCA Publication 311 and comply with the requirement of the AMCA Certified Ratings Program.



STXD & STXDe:
STANDARD 705 for Electrical
STXD:
STANDARD 762 for Grease Removal



SIZE 8

Motor HP	RPM		Static Pressure in Inches w.g.							
			0	.125	.25	.375	.5	.625	.75	.875
STXD 1/25 HP 1050 RPM	700	CFM	379	205	-	-	-	-	-	-
		BHP	0.01	0.01	-	-	-	-	-	-
		Sones	2.3	1.6	-	-	-	-	-	-
	850	CFM	460	342	-	-	-	-	-	-
		BHP	0.01	0.02	-	-	-	-	-	-
		Sones	3.4	3.1	-	-	-	-	-	-
	1000	CFM	542	446	307	-	-	-	-	-
		BHP	0.02	0.02	0.03	-	-	-	-	-
		Sones	4.9	4.5	3.9	-	-	-	-	-
	1150	CFM	612	531	427	-	-	-	-	-
		BHP	0.03	0.03	0.04	-	-	-	-	-
		Sones	6.6	6.0	5.7	-	-	-	-	-
STXD 1/10 HP 1550 RPM	1200	CFM	680	587	465	302	-	-	-	-
		BHP	0.03	0.04	0.05	0.04	-	-	-	-
		Sones	6.6	5.8	5.1	4.8	-	-	-	-
	1250	CFM	708	620	507	366	-	-	-	-
		BHP	0.03	0.04	0.05	0.05	-	-	-	-
		Sones	7.1	6.4	5.5	5.3	-	-	-	-
	1300	CFM	736	653	550	421	228	-	-	-
		BHP	0.04	0.05	0.06	0.06	0.05	-	-	-
		Sones	7.7	6.9	6.1	5.8	5.6	-	-	-
	1350	CFM	765	686	591	469	299	-	-	-
		BHP	0.04	0.05	0.06	0.07	0.06	-	-	-
		Sones	8.3	7.5	6.7	6.3	6.1	-	-	-
	1400	CFM	793	717	628	512	368	174	-	-
		BHP	0.05	0.06	0.07	0.08	0.07	0.05	-	-
		Sones	8.9	8.1	7.3	6.8	6.6	6.5	-	-
	1450	CFM	821	749	663	554	430	250	-	-
		BHP	0.05	0.06	0.08	0.08	0.08	0.06	-	-
		Sones	9.5	8.7	8.0	7.3	7.1	7.0	-	-
1500	CFM	850	780	697	594	485	321	-	-	
	BHP	0.06	0.07	0.08	0.09	0.09	0.08	-	-	
	Sones	10.2	9.5	8.6	7.8	7.7	7.5	-	-	
1550	CFM	878	811	731	637	533	391	216	-	
	BHP	0.06	0.08	0.09	0.10	0.10	0.09	0.07	-	
	Sones	10.8	9.9	9.2	8.2	8.0	7.9	7.8	-	
1600	CFM	906	842	765	680	577	456	291	-	
	BHP	0.07	0.08	0.10	0.11	0.11	0.11	0.09	-	
	Sones	11.2	10.4	9.8	8.7	8.4	8.3	8.2	-	
1650	CFM	877	810	729	636	531	389	213	-	
	BHP	0.06	0.08	0.09	0.10	0.10	0.09	0.07	-	
	Sones	11.7	10.9	10.3	9.3	8.8	8.7	8.6	-	
STXD 1/4 HP 1625 RPM	1700	CFM	904	849	797	736	669	586	443	182
		BHP	0.09	0.10	0.11	0.12	0.12	0.13	0.12	0.08
		Sones	10.8	10.5	10.3	9.7	9.2	8.8	8.3	8.0
	1750	CFM	935	881	832	773	712	636	536	312
		BHP	0.09	0.11	0.12	0.13	0.13	0.14	0.14	0.11
		Sones	11.4	10.9	10.8	10.2	9.7	9.2	8.8	8.4

STXDe
1/3 HP
1750 RPM



S&P USA Ventilation Systems, LLC., Div. of Soler & Palau Ventilation Group, certifies that the Models STXD shown herein are licensed to bear the AMCA Seal. The ratings shown are based on test and procedures performed in accordance with AMCA Publication 211 and AMCA Publication 311 and comply with the requirement of the AMCA Certified Ratings Program.



STXD & STXDe:
STANDARD 705 for Electrical
STXD:
STANDARD 762 for Grease Removal

Performance certified is for installation type A-free inlet, free outlet. Performance ratings include the effects of birdscreens in the airstream.

The sound ratings shown are loudness values in fan sones @ 5' (1.5m) in a hemispherical free field calculated per AMCA Standard 301. Values shown are for Installation Type A: free inlet hemispherical sone levels.

Speed (RPM) shown is nominal. Performance is based on actual speed of test.

Fan RPM performances may vary from actual current motor offerings for any given model. See Optimizer2 fan selection software for current motor RPM offerings



SIZE 10

Motor HP	RPM		Static Pressure in Inches w.g.								
			0	.125	.25	.375	.5	.625	.75	.875	1
STXD 1/4 HP 1075 RPM	700	CFM	587	410	-	-	-	-	-	-	-
		BHP	0.02	0.03	-	-	-	-	-	-	-
		Sones	3.2	2.4	-	-	-	-	-	-	-
	850	CFM	712	575	377	-	-	-	-	-	-
		BHP	0.04	0.04	0.05	-	-	-	-	-	-
		Sones	4.8	4.1	3.5	-	-	-	-	-	-
	1000	CFM	838	726	591	360	-	-	-	-	-
		BHP	0.06	0.07	0.08	0.07	-	-	-	-	-
		Sones	6.5	5.8	5.4	4.8	-	-	-	-	-
	1150	CFM	979	886	777	657	452	-	-	-	-
		BHP	0.09	0.10	0.11	0.12	0.12	-	-	-	-
		Sones	8.4	7.7	7.2	6.8	6.3	-	-	-	-
STXD 1/3 HP 1625 RPM	1200	CFM	1005	914	810	693	533	-	-	-	-
		BHP	0.07	0.08	0.09	0.09	0.09	-	-	-	-
		Sones	7.9	7.5	7.2	6.9	6.7	-	-	-	-
	1250	CFM	1046	960	861	753	620	355	-	-	-
		BHP	0.08	0.09	0.10	0.10	0.11	0.10	-	-	-
		Sones	8.5	8.1	7.8	7.5	7.3	7.1	-	-	-
	1300	CFM	1088	1006	911	811	691	499	-	-	-
		BHP	0.09	0.10	0.11	0.12	0.12	0.12	-	-	-
		Sones	9.1	8.7	8.4	8.1	7.9	7.7	-	-	-
	1350	CFM	1130	1051	960	866	756	613	324	-	-
		BHP	0.10	0.11	0.12	0.13	0.13	0.13	0.12	-	-
		Sones	9.8	9.4	9.1	8.8	8.5	8.3	8.2	-	-
1400	CFM	1172	1096	1010	920	818	697	481	-	-	
	BHP	0.12	0.12	0.13	0.14	0.15	0.15	0.14	-	-	
	Sones	10.5	10.1	9.7	9.4	9.2	9.0	8.8	-	-	
1450	CFM	1214	1141	1059	972	877	767	609	322	-	
	BHP	0.13	0.13	0.14	0.15	0.16	0.17	0.16	0.14	-	
	Sones	11.2	10.8	10.4	10.2	9.9	9.7	9.5	9.3	-	
1500	CFM	1256	1186	1107	1023	935	834	710	484	-	
	BHP	0.14	0.15	0.16	0.17	0.18	0.18	0.18	0.17	-	
	Sones	11.9	11.5	11.2	10.9	10.7	10.4	10.2	10.0	-	
1550	CFM	1298	1230	1155	1073	991	896	788	620	344	
	BHP	0.16	0.16	0.17	0.18	0.19	0.20	0.20	0.20	0.17	
	Sones	12.4	12.1	11.7	11.4	11.2	11.0	10.8	10.6	10.4	
1600	CFM	1340	1275	1202	1123	1045	955	856	731	507	
	BHP	0.17	0.18	0.19	0.20	0.21	0.22	0.22	0.22	0.21	
	Sones	13.0	12.6	12.2	12.0	11.7	11.5	11.3	11.1	10.9	
1650	CFM	1381	1319	1249	1173	1097	1014	922	815	645	
	BHP	0.19	0.19	0.20	0.22	0.23	0.24	0.24	0.25	0.24	
	Sones	13.6	13.2	12.8	12.5	12.3	12.0	11.8	11.7	11.5	
1700	CFM	1445	1385	1319	1248	1175	1100	1015	922	809	
	BHP	0.22	0.22	0.23	0.24	0.26	0.27	0.27	0.28	0.28	
	Sones	14.2	13.8	13.4	13.1	12.8	12.6	12.4	12.2	12.0	



S&P USA Ventilation Systems, LLC., Div. of Soler & Palau Ventilation Group, certifies that the Models STXD shown herein are licensed to bear the AMCA Seal. The ratings shown are based on test and procedures performed in accordance with AMCA Publication 211 and AMCA Publication 311 and comply with the requirement of the AMCA Certified Ratings Program.



STXD & STXDe:
STANDARD 705 for Electrical
STXD:
STANDARD 762 for Grease Removal
 Performance certified is for installation type A-free inlet, free outlet. Performance ratings include the effects of birdscreen in the airstream.

The sound ratings shown are loudness values in fan sones @ 5' (1.5m) in a hemispherical free field calculated per AMCA Standard 301. Values shown are for Installation Type A: free inlet hemispherical sone levels.

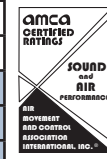
Speed (RPM) shown is nominal. Performance is based on actual speed of test.

Fan RPM performances may vary from actual current motor offerings for any given model. See Optimizer2 fan selection software for current motor RPM offerings



SIZE 12

Motor HP	RPM		Static Pressure in Inches w.g.										
			0	.125	.25	.375	.5	.625	.75	.875	1	1.25	
STXD 1/4 HP 1075 RPM	900	CFM	998	833	642	-	-	-	-	-	-	-	-
		BHP	0.05	0.06	0.07	-	-	-	-	-	-	-	-
		Sones	5.7	5.3	5.0	-	-	-	-	-	-	-	-
	950	CFM	1053	897	729	470	-	-	-	-	-	-	-
		BHP	0.06	0.08	0.08	0.08	-	-	-	-	-	-	-
		Sones	6.2	5.9	5.7	5.3	-	-	-	-	-	-	-
	1000	CFM	1109	959	808	601	-	-	-	-	-	-	-
		BHP	0.08	0.09	0.09	0.10	-	-	-	-	-	-	-
		Sones	6.8	6.5	6.3	5.9	-	-	-	-	-	-	-
	1050	CFM	1164	1021	883	697	-	-	-	-	-	-	-
		BHP	0.09	0.10	0.11	0.11	-	-	-	-	-	-	-
		Sones	7.4	7.2	6.9	6.6	-	-	-	-	-	-	-
	1100	CFM	1220	1083	953	782	552	-	-	-	-	-	-
		BHP	0.10	0.11	0.12	0.13	0.13	-	-	-	-	-	-
		Sones	8.1	7.8	7.6	7.3	6.9	-	-	-	-	-	-
	1150	CFM	1284	1155	1031	883	701	-	-	-	-	-	-
		BHP	0.12	0.13	0.14	0.15	0.15	-	-	-	-	-	-
		Sones	8.7	8.5	8.2	7.9	7.6	-	-	-	-	-	-
STXD 1/2 HP 1625 RPM	1200	CFM	1337	1218	1091	955	795	524	-	-	-	-	
		BHP	0.10	0.11	0.12	0.13	0.14	0.13	-	-	-	-	
		Sones	8.8	8.5	8.2	7.7	7.5	7.3	-	-	-	-	
	1250	CFM	1393	1278	1157	1030	883	681	-	-	-	-	
		BHP	0.11	0.12	0.13	0.14	0.15	0.15	-	-	-	-	
		Sones	9.5	9.2	8.9	8.4	8.1	7.9	-	-	-	-	
	1300	CFM	1449	1338	1223	1103	967	806	522	-	-	-	
		BHP	0.12	0.14	0.15	0.16	0.17	0.17	0.16	-	-	-	
		Sones	10.2	9.9	9.6	9.1	8.8	8.6	8.4	-	-	-	
	1350	CFM	1505	1397	1288	1174	1047	904	690	-	-	-	
		BHP	0.14	0.15	0.17	0.18	0.19	0.19	0.19	-	-	-	
		Sones	10.9	10.6	10.2	9.9	9.5	9.3	9.0	-	-	-	
	1400	CFM	1560	1456	1353	1242	1125	991	828	-	-	-	
		BHP	0.15	0.17	0.18	0.20	0.21	0.21	0.22	-	-	-	
		Sones	11.6	11.3	11.0	10.6	10.2	10.0	9.8	-	-	-	
	1450	CFM	1616	1515	1417	1310	1200	1076	936	-	-	-	
		BHP	0.17	0.19	0.20	0.21	0.23	0.23	0.24	-	-	-	
		Sones	12.4	12.1	11.7	11.4	11.0	10.8	10.5	-	-	-	
	1500	CFM	1672	1573	1481	1376	1273	1156	1028	863	-	-	
		BHP	0.19	0.20	0.22	0.23	0.25	0.26	0.26	0.26	-	-	
		Sones	13.1	12.8	12.5	12.1	11.8	11.5	11.3	11.1	-	-	
	1550	CFM	1727	1632	1543	1442	1343	1234	1114	979	769	-	
		BHP	0.21	0.22	0.24	0.26	0.27	0.28	0.29	0.29	0.29	-	
		Sones	13.8	13.4	13.1	12.7	12.4	12.1	11.9	11.7	11.5	-	
1600	CFM	1783	1690	1605	1508	1412	1310	1197	1075	913	-		
	BHP	0.23	0.25	0.26	0.28	0.29	0.30	0.31	0.32	0.32	-		
	Sones	14.4	14.0	13.7	13.4	13.1	12.7	12.5	12.3	12.1	-		
1650	CFM	1839	1748	1665	1573	1480	1384	1277	1162	1032	-		
	BHP	0.25	0.27	0.29	0.30	0.32	0.33	0.34	0.35	0.35	-		
	Sones	15.0	14.7	14.3	14.0	13.7	13.4	13.1	12.9	12.7	-		
1700	CFM	1918	1831	1751	1665	1574	1485	1387	1282	1168	822		
	BHP	0.28	0.30	0.32	0.34	0.35	0.37	0.38	0.39	0.40	0.39		
	Sones	15.6	15.3	15.0	14.7	14.3	14.0	13.7	13.5	13.3	13.0		



S&P USA Ventilation Systems, LLC., Div. of Soler & Palau Ventilation Group, certifies that the Models STXD shown herein are licensed to bear the AMCA Seal. The ratings shown are based on test and procedures performed in accordance with AMCA Publication 211 and AMCA Publication 311 and comply with the requirement of the AMCA Certified Ratings Program.



STXD & STXDe:
STANDARD 705 for Electrical
STXD:
STANDARD 762 for Grease Removal

Performance certified is for installation type A-free inlet, free outlet. Performance ratings include the effects of birdscreen in the airstream.

The sound ratings shown are loudness values in fan sones @ 5' (1.5m) in a hemispherical free field calculated per AMCA Standard 301. Values shown are for Installation Type A: free inlet hemispherical sone levels.

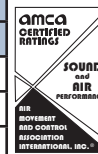
Speed (RPM) shown is nominal. Performance is based on actual speed of test.

Fan RPM performances may vary from actual current motor offerings for any given model. See Optisizer2 fan selection software for current motor RPM offerings



SIZE 14

Motor HP	RPM		Static Pressure in Inches w.g.											
			0	.125	.25	.375	.5	.625	.75	.875	1	1.25	1.5	
STXD 1/4 HP 1075 RPM	750	CFM	1479	1246	930	-	-	-	-	-	-	-	-	-
		BHP	0.07	0.08	0.09	-	-	-	-	-	-	-	-	-
		Sones	6.4	5.7	5.1	-	-	-	-	-	-	-	-	-
	850	CFM	1677	1481	1240	868	-	-	-	-	-	-	-	-
		BHP	0.10	0.12	0.12	0.12	-	-	-	-	-	-	-	-
		Sones	8.1	7.4	6.7	6.3	-	-	-	-	-	-	-	-
	950	CFM	1874	1702	1500	1244	-	-	-	-	-	-	-	-
		BHP	0.14	0.16	0.17	0.17	-	-	-	-	-	-	-	-
		Sones	10.0	9.3	8.5	8.0	-	-	-	-	-	-	-	-
	1100	CFM	2148	1998	1830	1651	1411	1077	-	-	-	-	-	-
		BHP	0.21	0.23	0.25	0.26	0.26	0.25	-	-	-	-	-	-
		Sones	13.2	12.4	11.7	11.0	10.5	10.2	-	-	-	-	-	-
STXD 3/4 HP 1650 RPM	1,150	CFM	2195	2076	1950	1808	1659	1475	1201	-	-	-	-	-
		BHP	0.25	0.27	0.30	0.32	0.34	0.35	0.34	-	-	-	-	-
		Sones	12.1	11.8	11.5	11.1	10.5	10.0	10.7	-	-	-	-	-
	1,200	CFM	2290	2177	2058	1923	1784	1625	1447	-	-	-	-	-
		BHP	0.29	0.31	0.33	0.36	0.38	0.40	0.40	-	-	-	-	-
		Sones	13.1	12.8	12.5	12.1	11.6	11.1	11.2	-	-	-	-	-
	1,250	CFM	2386	2277	2165	2037	1904	1762	1585	1354	-	-	-	-
		BHP	0.32	0.35	0.37	0.40	0.42	0.44	0.45	0.44	-	-	-	-
		Sones	14.0	13.7	13.5	13.2	12.6	12.2	11.7	12.5	-	-	-	-
	1,300	CFM	2481	2376	2269	2149	2022	1891	1738	1575	-	-	-	-
		BHP	0.36	0.39	0.42	0.44	0.47	0.49	0.51	0.51	-	-	-	-
		Sones	15.1	14.8	14.5	14.2	13.8	13.3	12.8	13.0	-	-	-	-
	1,350	CFM	2576	2476	2373	2260	2139	2015	1879	1712	1524	-	-	-
		BHP	0.41	0.43	0.46	0.49	0.52	0.54	0.56	0.57	0.56	-	-	-
		Sones	16.2	15.9	15.6	15.3	14.9	14.5	14.0	13.6	14.4	-	-	-
	1,400	CFM	2672	2575	2477	2370	2254	2135	2011	1865	1715	-	-	-
		BHP	0.45	0.48	0.51	0.54	0.57	0.59	0.62	0.63	0.63	-	-	-
		Sones	17.2	16.9	16.7	16.4	16.1	15.6	15.2	14.8	15.0	-	-	-
	1,450	CFM	2767	2674	2579	2478	2367	2253	2136	2007	1851	1252	-	-
		BHP	0.50	0.53	0.56	0.59	0.62	0.65	0.68	0.70	0.71	0.63	-	-
		Sones	18.3	18.0	17.7	17.5	17.2	16.8	16.4	16.0	15.6	17.2	-	-
	1,500	CFM	2863	2772	2681	2585	2479	2370	2258	2140	2003	1653	-	-
		BHP	0.56	0.59	0.62	0.65	0.68	0.71	0.74	0.76	0.78	0.77	-	-
		Sones	19.5	19.2	18.9	18.6	18.3	18.0	17.6	17.2	16.9	17.8	-	-
1,550	CFM	2958	2871	2782	2691	2590	2485	2377	2267	2145	1871	-	-	
	BHP	0.62	0.64	0.68	0.71	0.74	0.77	0.80	0.83	0.85	0.86	-	-	
	Sones	20.3	20.0	19.7	19.5	19.2	18.9	18.5	18.1	17.8	18.0	-	-	
1,600	CFM	3054	2969	2883	2796	2700	2598	2495	2390	2279	2008	1481	-	
	BHP	0.68	0.71	0.74	0.77	0.81	0.84	0.87	0.90	0.93	0.95	0.88	-	
	Sones	21.2	21.0	20.7	20.5	20.2	19.9	19.5	19.1	18.7	18.1	19.9	-	
1,650	CFM	3149	3067	2984	2900	2809	2711	2612	2510	2406	2159	1849	-	
	BHP	0.74	0.77	0.81	0.84	0.87	0.91	0.94	0.97	1.00	1.04	1.03	-	
	Sones	22.2	21.9	21.6	21.3	21.1	20.8	20.4	20.0	19.7	18.9	20.0	-	
STXD 1 HP 1725 RPM	1,725	CFM	3426	3352	3272	3188	3099	3002	2899	2794	2686	2448	2125	
		BHP	0.65	0.67	0.69	0.72	0.76	0.79	0.81	0.83	0.86	0.89	0.89	
		Sones	23.9	23.1	22.2	21.5	21.1	20.7	20.4	20.1	19.9	19.3	18.8	



S&P USA Ventilation Systems, LLC., Div. of Soler & Palau Ventilation Group, certifies that the Models STXD shown herein are licensed to bear the AMCA Seal. The ratings shown are based on test and procedures performed in accordance with AMCA Publication 211 and AMCA Publication 311 and comply with the requirement of the AMCA Certified Ratings Program.



STXD & STXDe:
STANDARD 705 for Electrical
STXD:
STANDARD 762 for Grease Removal

Performance certified is for installation type A-free inlet, free outlet. Performance ratings include the effects of birdscreen in the airstream.

The sound ratings shown are loudness values in fan sones @ 5' (1.5m) in a hemispherical free field calculated per AMCA Standard 301. Values shown are for Installation Type A: free inlet hemispherical sone levels.

Speed (RPM) shown is nominal. Performance is based on actual speed of test.

Fan RPM performances may vary from actual current motor offerings for any given model. See Optisizer2 fan selection software for current motor RPM offerings

Numbers shown in bold font are only achievable by the SDBDe 1 HP model with EC motor.



SIZE 15 - 1/2 HP

Motor HP	RPM		Static Pressure in Inches w.g.											
			0	.125	.25	.375	.5	.625	.75	.875	1	1.25	1.5	1.75
STXD 1/2 HP 1140 RPM	750	CFM	1719	1515	1258	800	-	-	-	-	-	-	-	-
		BHP	0.08	0.09	0.10	0.10	-	-	-	-	-	-	-	-
		Sones	6.8	6.1	5.4	4.8	-	-	-	-	-	-	-	-
	800	CFM	1834	1647	1404	1124	-	-	-	-	-	-	-	-
		BHP	0.10	0.11	0.12	0.13	-	-	-	-	-	-	-	-
		Sones	7.6	7.0	6.2	5.7	-	-	-	-	-	-	-	-
	850	CFM	1948	1772	1548	1315	-	-	-	-	-	-	-	-
		BHP	0.11	0.13	0.14	0.15	-	-	-	-	-	-	-	-
		Sones	8.5	7.9	7.1	6.5	-	-	-	-	-	-	-	-
	900	CFM	2063	1895	1691	1484	1194	-	-	-	-	-	-	-
		BHP	0.14	0.16	0.17	0.18	0.19	-	-	-	-	-	-	-
		Sones	9.4	8.7	8.1	7.4	6.9	-	-	-	-	-	-	-
	950	CFM	2178	2016	1833	1634	1398	-	-	-	-	-	-	-
		BHP	0.16	0.18	0.19	0.21	0.22	-	-	-	-	-	-	-
		Sones	10.3	9.7	9.1	8.4	7.9	-	-	-	-	-	-	-
	1000	CFM	2292	2137	1974	1778	1584	1301	-	-	-	-	-	-
		BHP	0.19	0.21	0.22	0.24	0.25	0.25	-	-	-	-	-	-
		Sones	11.3	10.7	10.1	9.4	8.8	8.4	-	-	-	-	-	-
	1050	CFM	2407	2256	2113	1922	1747	1514	-	-	-	-	-	-
		BHP	0.22	0.24	0.26	0.27	0.29	0.29	-	-	-	-	-	-
		Sones	12.4	11.8	11.2	10.5	9.8	9.4	-	-	-	-	-	-
	1100	CFM	2522	2375	2248	2065	1896	1707	1451	-	-	-	-	-
		BHP	0.25	0.27	0.29	0.31	0.32	0.33	0.34	-	-	-	-	-
		Sones	13.4	12.9	12.3	11.6	11.0	10.4	9.9	-	-	-	-	-
1150	CFM	2643	2501	2384	2215	2048	1887	1670	1298	-	-	-	-	
	BHP	0.29	0.31	0.33	0.35	0.37	0.38	0.39	0.38	-	-	-	-	
	Sones	14.6	14.0	13.5	12.8	12.1	11.5	11.0	10.6	-	-	-	-	

Performance certified is for installation type A-free inlet, free outlet.
 Performance ratings do not include the effects of birdscreen in the airstream.
 The sound ratings shown are loudness values in fan sones @ 5' (1.5m) in a hemispherical free field calculated per AMCA Standard 301. Values shown are for Installation Type A-free inlet fan sone levels.

Speed (RPM) shown is nominal. Performance is based on actual speed of test.

Fan RPM performances may vary from actual current motor offerings for any given model. See Optimizer2 fan selection software for current motor RPM offerings.



S&P USA Ventilation Systems, LLC., Div. of Soler & Palau Ventilation Group, certifies that the Models STXD shown herein are licensed to bear the AMCA Seal. The ratings shown are based on test and procedures performed in accordance with AMCA Publication 211 and AMCA Publication 311 and comply with the requirement of the AMCA Certified Ratings Program.



STXD & STXDe:
STANDARD 705 for Electrical
STXD:
STANDARD 762 for Grease Removal



SIZE 15 - 3/4 & 1 HP

Motor HP	RPM		Static Pressure in Inches w.g.											
			0	.125	.25	.375	.5	.625	.75	.875	1	1.25	1.5	1.75
STXD 3/4 HP 1650 RPM	1300	CFM	2658	2554	2452	2347	2226	2085	1938	1790	1578	-	-	-
		BHP	0.30	0.32	0.35	0.37	0.39	0.42	0.44	0.46	0.46	-	-	-
		Sones	15.5	15.0	14.5	14.1	13.6	13.2	12.9	12.5	12.3	-	-	-
	1350	CFM	2760	2660	2562	2462	2351	2220	2078	1943	1790	-	-	-
		BHP	0.34	0.36	0.38	0.41	0.44	0.46	0.48	0.50	0.52	-	-	-
		Sones	16.5	16.0	15.6	15.2	14.7	14.4	14.0	13.6	13.3	-	-	-
	1400	CFM	2862	2766	2671	2575	2473	2352	2218	2082	1947	1410	-	-
		BHP	0.38	0.40	0.42	0.45	0.48	0.50	0.52	0.55	0.57	0.54	-	-
		Sones	17.6	17.1	16.6	16.2	15.8	15.4	15.1	14.7	14.4	13.8	-	-
	1450	CFM	2965	2871	2780	2688	2592	2480	2354	2222	2096	1745	-	-
		BHP	0.42	0.44	0.47	0.49	0.52	0.55	0.57	0.60	0.62	0.63	-	-
		Sones	18.7	18.2	17.8	17.3	16.9	16.5	16.2	15.8	15.5	14.9	-	-
	1500	CFM	3067	2977	2888	2799	2708	2606	2488	2362	2235	1968	-	-
		BHP	0.46	0.49	0.51	0.54	0.57	0.60	0.62	0.65	0.68	0.71	-	-
		Sones	19.8	19.3	18.9	18.5	18.0	17.6	17.3	16.9	16.6	16.0	-	-
	1550	CFM	3169	3082	2996	2910	2823	2729	2618	2499	2375	2127	-	-
		BHP	0.51	0.53	0.56	0.59	0.62	0.65	0.68	0.70	0.73	0.78	-	-
		Sones	20.7	20.3	19.8	19.4	18.9	18.6	18.2	17.9	17.5	16.9	-	-
1600	CFM	3271	3187	3103	3020	2936	2848	2746	2634	-	-	-	-	
	BHP	0.56	0.59	0.61	0.64	0.68	0.71	0.73	0.76	-	-	-	-	
	Sones	21.6	21.2	20.7	20.3	19.9	19.5	19.1	18.8	-	-	-	-	
1650	CFM	3374	3291	3210	3130	3049	2965	-	-	-	-	-	-	
	BHP	0.61	0.64	0.67	0.70	0.73	0.76	-	-	-	-	-	-	
	Sones	22.5	22.1	21.6	21.2	20.8	20.4	-	-	-	-	-	-	
STXD 1-1/2 HP 1725 RPM	1750	CFM	3997	3900	3806	3717	3628	3535	3436	3336	3237	3027	2781	2492
		BHP	0.78	0.82	0.86	0.90	0.94	0.97	1.01	1.04	1.08	1.13	1.18	1.21
		Sones	26.2	25.7	25.2	24.7	24.5	24.2	23.8	23.4	23.0	22.3	21.9	21.6

Performance certified is for installation type A-free inlet, free outlet.
 Performance ratings do not include the effects of birdscreen in the airstream.
 The sound ratings shown are loudness values in fan sones @ 5' (1.5m) in a hemispherical free field calculated per AMCA Standard 301. Values shown are for Installation Type A-free inlet fan sone levels.

Speed (RPM) shown is nominal. Performance is based on actual speed of test.

Fan RPM performances may vary from actual current motor offerings for any given model. See Optimizer2 fan selection software for current motor RPM offerings.



S&P USA Ventilation Systems, LLC., Div. of Soler & Palau Ventilation Group, certifies that the Models STXD shown herein are licensed to bear the AMCA Seal. The ratings shown are based on test and procedures performed in accordance with AMCA Publication 211 and AMCA Publication 311 and comply with the requirement of the AMCA Certified Ratings Program.



STXD & STXDe:
STANDARD 705 for Electrical
STXD:
STANDARD 762 for Grease Removal



SIZE 16

Motor HP	RPM		Static Pressure in Inches w.g.											
			0	.125	.25	.375	.5	.625	.75	.875	1	1.25	1.5	1.75
STXD 1/2 HP 1140 RPM	750	CFM	2108	1894	1633	1272	-	-	-	-	-	-	-	-
		BHP	0.11	0.13	0.14	0.14	-	-	-	-	-	-	-	-
		Sones	7.9	7.7	6.7	6.3	-	-	-	-	-	-	-	-
	800	CFM	2248	2048	1815	1515	-	-	-	-	-	-	-	-
		BHP	0.14	0.15	0.17	0.17	-	-	-	-	-	-	-	-
		Sones	8.6	8.4	7.6	7.0	-	-	-	-	-	-	-	-
	850	CFM	2389	2200	1989	1730	1375	-	-	-	-	-	-	-
		BHP	0.16	0.18	0.20	0.20	0.21	-	-	-	-	-	-	-
		Sones	9.4	9.3	8.5	7.6	7.6	-	-	-	-	-	-	-
	900	CFM	2529	2351	2159	1930	1637	-	-	-	-	-	-	-
		BHP	0.20	0.21	0.23	0.24	0.25	-	-	-	-	-	-	-
		Sones	10.1	9.9	9.3	8.5	8.2	-	-	-	-	-	-	-
	950	CFM	2670	2500	2324	2117	1865	1535	-	-	-	-	-	-
		BHP	0.23	0.25	0.27	0.28	0.29	0.29	-	-	-	-	-	-
		Sones	10.9	10.7	10.2	9.3	8.8	8.9	-	-	-	-	-	-
	1000	CFM	2810	2649	2486	2295	2074	1799	-	-	-	-	-	-
		BHP	0.27	0.29	0.31	0.33	0.33	0.34	-	-	-	-	-	-
		Sones	11.8	11.6	11.3	10.3	9.6	9.5	-	-	-	-	-	-
	1050	CFM	2951	2796	2645	2467	2270	2032	1739	-	-	-	-	-
		BHP	0.31	0.33	0.35	0.37	0.38	0.39	0.39	-	-	-	-	-
		Sones	12.7	12.5	12.3	11.4	10.6	10.1	10.3	-	-	-	-	-
	1100	CFM	3091	2944	2800	2636	2455	2245	1994	-	-	-	-	-
		BHP	0.36	0.38	0.40	0.42	0.44	0.44	0.45	-	-	-	-	-
		Sones	13.6	13.5	13.3	12.5	11.7	11.1	11.1	-	-	-	-	-
1150	CFM	3187	3043	2904	2749	2577	2383	2154	1877	-	-	-	-	
	BHP	0.39	0.41	0.44	0.46	0.48	0.48	0.49	0.49	-	-	-	-	
	Sones	14.6	14.4	14.2	13.7	12.9	12.4	12.0	12.2	-	-	-	-	
STXD 1-1/2 HP 1725 RPM	1750	CFM	4781	4687	4591	4494	4396	4295	4192	4084	3973	3737	3489	3175
		BHP	1.20	1.24	1.28	1.32	1.35	1.39	1.42	1.45	1.48	1.55	1.60	1.63
		Sones	29.3	29.3	29.2	29.1	29.1	29.0	28.6	27.8	27.2	25.9	24.7	24.2

Performance certified is for installation type A-free inlet, free outlet.
 Performance ratings do not include the effects of birdscreen in the airstream.
 The sound ratings shown are loudness values in fan sones @ 5' (1.5m) in a hemispherical free field calculated per AMCA Standard 301. Values shown are for Installation Type A-free inlet fan sone levels.

Speed (RPM) shown is nominal. Performance is based on actual speed of test.

Fan RPM performances may vary from actual current motor offerings for any given model. See Optimizer2 fan selection software for current motor RPM offerings



S&P USA Ventilation Systems, LLC., Div. of Soler & Palau Ventilation Group, certifies that the Models STXD shown herein are licensed to bear the AMCA Seal. The ratings shown are based on test and procedures performed in accordance with AMCA Publication 211 and AMCA Publication 311 and comply with the requirement of the AMCA Certified Ratings Program.



STXD & STXDe:
STANDARD 705 for Electrical
STXD:
STANDARD 762 for Grease Removal



MODEL STXB BELT DRIVE CENTRIFUGAL ROOF EXHAUSTER



MODEL FEATURES


- Exhaust air up to 8,648 CFM in high static pressure applications up to 2-3/4" w.g.
- Attractive spun aluminum exterior
- Belt drives permit easy performance adjustments when needed
- Curved non-overloading backward inclined wheel for efficiency at higher static pressures
- Roof or sidewall mounting options
- AMCA Air and Sound Licensed
- cULus 705 or 762 Listed
- NFPA - suitable for National Fire Protection Association Installations

APPLICATION CONSTRUCTION OPTIONS

MODEL NAME	TYPICAL APPLICATIONS
STXB	Removal of clean or contaminated air in general applications
STXBW	Wall mount version of STXB
STXBHP	High Pressure version of STXB
STXBWHP	High Pressure version of STXBW
STXBRHUL	UL762 listed for grease removal
STXBWRHUL	UL762 version of STXBW
STXBHPRHUL	UL762 High Pressure version of STXB
STXBWHPRHUL	UL762 High Pressure Version of STXBW

MODEL OVERVIEW

Model STXB belt drive fans are designed to exhaust air up to 8,648 CFM in high static pressure applications to 2-3/4". The aluminum exterior provides an attractive appearance. Belt drive results in lower operating RPM and sound levels, making the Model STXB well suited to applications where quiet operation is important. Belt drive also permits easy performance adjustments when needed to balance the total ventilation system. The non-overloading backward inclined wheel with its higher static pressure capability makes this unit suitable for either ducted or nonducted applications. It's roof or sidewall mounting options permit location near the area to be ventilated, allowing short duct runs and more efficient operation.



Model STXB-UL762 is available in our Quickship program. Sizes 8-22 are available for next day or 3-day shipping from stock.

Isolation of motor and drive components from the airstream and the high velocity vertical air discharge make the Model STXB ideally suited for the removal of dirty contaminated and/or high temperature air from processes and buildings. Typical applications include restaurant hoods and similar kitchen exhaust ventilation, fume and smoke removal, laboratory fume hood exhaust and chemical process exhaust. The STXB line of fans is available in a variety of construction options, see the chart above for the STXB that is right for your application.

Industry best 5 year fan housing warranty, 1 year motor warranty
STXBRHUL units have 2 year fan housing warranty



Upblast Model Overview & Construction Features

Model STXB- Belt Drive

Size Range	8, 10, 12, 14, 15, 15HP, 16, 16HP, 18, 18HP, 20, 20HP, 22, & 22HP
Motor HP Range	1/4 to 3
CFM Range	200 to 8648
Static Pressure	up to 2-3/4 in. w.g.
Mounting	Suitable for Roof or Wall
Warranty	5 years/2 years for RHUL models



Applications

Exhaust Contaminated, Grease Laden and/or High Temperature Air

- Restaurant Hoods/Kitchen Ventilation
- Laboratory Fume Hoods
- Fume and Smoke Removal
- Chemical Process Exhaust



Upblast Model Overview & Construction Features

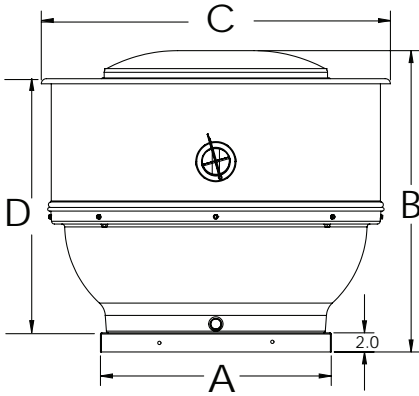
#	Feature	Description
1	Motor Cover	Heavy-gauge aluminum motor cover provides weather protection for motor compartment.
2	Motor Cover Cap	Heavy-gauge aluminum top with rolled bead for added strength and quick-release latches.
3	Quick-Release Latches	Stainless steel latches for easy removal of motor cover cap for access to the motor compartment and motor.
4	Motor	Open drip-proof enclosure standard, many other options available.
5	Bearings	Air handling ball bearing type with cast iron housing and grease fittings.
6	Vibration Isolators	Neoprene (rubber) vibration isolators to reduce vibration and noise.
7	Motor Mounting Plate	Heavy-gauge galvanized motor mounting plate.
8	Wheel	Aluminum, non-overloading, backward-inclined, curved centrifugal wheel for maximum efficiency. Each wheel is dynamically balanced for smooth operation and long life.
9	Cooling Vanes	Helps promote cooling of the motor and drive by pulling air through the motor compartment. Helps maximize the life of the motor and drives.
10	Curved Blades	Designed to provide more CFM per HP and lower sound levels.
11	Support Legs	4 heavy-gauge galvanized support legs to anchor the motor plate to the fan base for stability and vibration reduction.
12	Shroud	Spun aluminum fan shroud with rolled bead for extra strength. Fan shroud directs the exhausted air upward away from the mounting surface.
13	Exterior Fasteners	Stainless steel.
14	Inlet Venturi	Deep spun single piece inlet venturi for optimum air and sound performance
15	Curb Cap	Fully welded curb cap for rigidity and weather protection. Pre-punched mounting holes for ease of installation.
16	Drives	Sized for 150% of drive HP, adjustable pitch motor sheaves.
17	Lifting Lugs	Standard on all belt drive models, STXB, for easy and safe placement of the fan on roof.
18	Vent Tube	Oversized vent tube for maximum motor cooling.
19	Grease Drain Fitting	Grease drain fitting for connection of Grease Trough or Grease Grabber.
20	Disconnect Switch (not shown)	Standard with ODP and TE single speed motors. Ships loose.



DIMENSIONS

Dimensions in Inches

Model STXB: Belt Drive Centrifugal Upblast

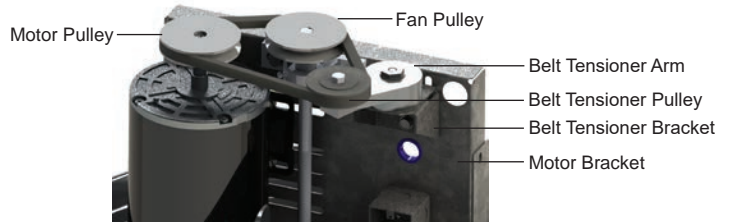


Size	A	B	C	D	Roof Opening	Curb O.D.	Damper (O.D.)	Average Ship Wt. Lbs.
8	18.1	29.3	28.6	24.3	13 1/2	16 1/2	12	123
10	18.1	29.3	28.6	24.3	13 1/2	16 1/2	12	124
12	20.1	30.8	31.3	25.9	15 1/2	18 1/2	14	136
14	20.1	30.8	31.3	25.9	15 1/2	18 1/2	14	138
15	24.1	31.4	36.5	26.6	19 1/2	22 1/2	18	155
16	24.1	31.4	36.5	26.6	19 1/2	22 1/2	18	155
18	30.2	32.7	42.6	30.5	22 1/5	28 1/2	24	187
20	30.2	38.6	46.4	33.3	22 1/5	28 1/2	24	189
22	30.2	38.6	46.4	33.3	22 1/5	28 1/2	24	190



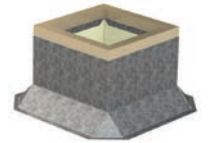
OPTIONS/ACCESSORIES

Automatic Belt Tensioner (STXB): Available on sizes 8-16, The Automatic Belt Tensioners eliminate the need for regular manual retensioning of drives, and the risk of inadvertently over-tensioning drive components is avoided and overall drive operating efficiency is enhanced. Benefits include reduction in startup and maintenance costs, increased belt life, increased drive efficiency, and ensure drive components do not snag obstructions.



Roof Curb: Prefabricated heavy-gauge galvanized steel, welded construction, 12" high (other heights are also available) with 1-1/2" wood nailer. Assures perfect fit of exhauster to roof opening. Options include burglar bars, single or double pitch construction and hinged curbs for easy duct access.

Common Curb: Designed to allow both the supply fan and exhaust fan to be mounted on the same curb. This curb requires only one roof opening and speeds installation time.



Motor Operated Damper: Motor operated aluminum damper for positive closure against backdraft. (Not for UL762 use).

Automatic Damper: Automatic aluminum damper for ease in installation and effective backdraft protection. (Not for UL762 use).



Grease Grabber or Aluminum Grease Trough: Trap designed for fast and inexpensive replacement. Grease collects in a container for safe and sanitary disposal. Keeps roof clean with proper use.

Curb Hinge Arrangement: The curb hinge arrangement provides easy access to the exhaust fan, backdraft damper, and duct for servicing and cleaning.

Birdscreen: To protect the fan from birds and other large objects. (Ships installed when ordered with Build-to-order fans; ships loose when ordered with stock fans/Quickship)

Insect Screen: Helps prevent insects, snow, airborne mist or water droplets from entering. (Ships installed when ordered with Build-to-order fans)

Special Coatings: Powered roof exhausters often require special coatings for protective and decorative purposes. Available coatings include: Synthetic Resin, Epoxy, and Heresite (air-dried phenolic). Contact your representative or the factory for more information on available coatings and colors.



CONSTRUCTION/SPECIFICATION CHECKLIST

Housing

- Curb cap with integral deep single piece spun inlet for efficient performance and prevention of leakage into ductwork.
- Lifting lugs for easy and safe placement of the fan on the roof.
- Heavy-gauge aluminum housing and curb cap for strength and rigidity. Curb cap is galvanized steel on all UL 762 units.
- Adjustable motor base for proper belt tension and ease of adjustment.
- Enclosed ventilated motor/drive compartment isolates motor and drives from exhaust air.
- Neoprene isolators for reduction of vibration and sound.
- Quick-Release latches on motor cover for easy access to motor compartment.
- Water-tight conduit tube for easy electrical connection without having to wire through the breather tube.
- NFPA - Model STXB is suitable for National Fire Protection Association installations. Contact factory for required accessories.

Centrifugal Wheel

- All aluminum wheel.
- Backward-inclined for efficiency at higher static pressure.
- Non-overloading for safe operation in ducted systems.
- Curved blades for efficiency and quiet operation.
- Dynamically balanced for smooth operation.

Motors

- Brands are nationally recognized and locally serviced.
- Single speed drip-proof motors are provided on standard models.
- Disconnect switch is standard with single speed open drip-proof and totally enclosed motors.
- Welded motor brackets designed for maximum strength.

Drives

- Sized for minimum 150% of drive horse power.
- Machined cast iron adjustable motor pulleys.
- Adjustable base for belt tensioning.
- Nonstatic oil resistant V-Belts.

Bearings

- 5 year bearing warranty.
- Heavy-duty ball bearing type.
- Air handling with grease fittings.
- Sized for a minimum L50 life in excess of 200,000 hours.

AMCA Seal

- Assures accuracy of Air and Sound Performance.

cULus Label

- cULus 705 Listed Power Roof Ventilator label assures electrical reliability.
- cUL762us Listed for Restaurant Exhaust Appliance available for applications where required.



SIZE 8

Motor HP	RPM		Static Pressure in Inches w.g.								
			0	0.125	0.25	0.375	0.5	0.625	0.75	0.875	1
1/4	700	CFM	376	201	-	-	-	-	-	-	-
		BHP	0.01	0.01	-	-	-	-	-	-	-
		Sones	2.1	1.3	-	-	-	-	-	-	-
1/4	800	CFM	430	302	-	-	-	-	-	-	-
		BHP	0.02	0.02	-	-	-	-	-	-	-
		Sones	2.9	2.2	-	-	-	-	-	-	-
1/4	900	CFM	483	377	-	-	-	-	-	-	-
		BHP	0.02	0.03	-	-	-	-	-	-	-
		Sones	3.9	3.0	-	-	-	-	-	-	-
1/4	1000	CFM	537	443	301	-	-	-	-	-	-
		BHP	0.03	0.03	0.04	-	-	-	-	-	-
		Sones	4.7	3.8	3.3	-	-	-	-	-	-
1/4	1100	CFM	591	507	400	-	-	-	-	-	-
		BHP	0.04	0.04	0.05	-	-	-	-	-	-
		Sones	5.6	4.8	4.3	-	-	-	-	-	-
1/4	1200	CFM	645	569	482	322	-	-	-	-	-
		BHP	0.05	0.06	0.06	0.06	-	-	-	-	-
		Sones	6.5	5.8	5.4	5.0	-	-	-	-	-
1/4	1300	CFM	698	629	552	445	-	-	-	-	-
		BHP	0.06	0.07	0.08	0.08	-	-	-	-	-
		Sones	7.5	6.9	6.5	6.1	-	-	-	-	-
1/4	1400	CFM	752	687	618	535	402	-	-	-	-
		BHP	0.08	0.09	0.09	0.10	0.10	-	-	-	-
		Sones	8.7	8.1	7.7	7.3	6.9	-	-	-	-
1/4	1500	CFM	806	744	682	612	512	-	-	-	-
		BHP	0.10	0.11	0.11	0.12	0.12	-	-	-	-
		Sones	10.0	9.5	9.0	8.6	8.2	-	-	-	-
1/4	1600	CFM	859	801	745	682	604	500	-	-	-
		BHP	0.12	0.13	0.13	0.14	0.15	0.15	-	-	-
		Sones	11.0	10.4	10.0	9.5	9.2	8.8	-	-	-
1/4	1700	CFM	913	857	807	748	683	595	462	-	-
		BHP	0.14	0.15	0.16	0.16	0.17	0.17	0.17	-	-
		Sones	12.0	11.5	11.0	10.5	10.2	9.8	9.6	-	-
1/4	1800	CFM	967	914	867	812	755	685	595	415	-
		BHP	0.17	0.18	0.19	0.19	0.20	0.21	0.21	0.20	-
		Sones	13.0	12.5	12.0	11.6	11.2	10.9	10.5	10.2	-
1/4	1900	CFM	1021	970	926	875	822	763	687	599	-
		BHP	0.20	0.21	0.22	0.22	0.23	0.24	0.24	0.24	-
		Sones	14.1	13.4	13.0	12.6	12.2	11.9	11.6	11.4	-
1/3	2000	CFM	1074	1026	983	938	887	835	773	693	601
		BHP	0.23	0.24	0.25	0.26	0.27	0.28	0.28	0.28	0.28
		Sones	15.2	14.4	14.0	13.6	13.3	13.0	12.7	12.5	12.2
1/3	2100	CFM	1128	1081	1041	999	951	903	850	785	705
		BHP	0.27	0.28	0.29	0.30	0.30	0.31	0.32	0.33	0.33
		Sones	16.4	15.7	15.0	14.6	14.3	14.0	13.8	13.6	13.4

Power Ratings (BHP) does not include transmission losses.
 Performance certified is for installation type A - free inlet, free outlet.
 Performance ratings do not include the effects of birdscreen in the airstream.
 The sound ratings shown are loudness values in fan sones @ 5' (1.5m) in a hemispherical free field calculated per AMCA Standard 301. Values shown are for: Installation Type A: free inlet hemispherical sone levels.



S&P USA Ventilation Systems, LLC., Div. of Soler & Palau Ventilation Group, certifies that the Models STXB shown herein are licensed to bear the AMCA Seal. The ratings shown are based on test and procedures performed in accordance with AMCA Publication 211 and AMCA Publication 311 and comply with the requirement of the AMCA Certified Ratings Program.



STANDARD 705 for Electrical
STANDARD 762 for Grease Removal



SIZE 10

Motor HP	RPM		Static Pressure in Inches w.g.								
			0	0.125	0.25	0.375	0.5	0.625	0.75	0.875	1
1/4	650	CFM	545	348	-	-	-	-	-	-	-
		BHP	0.01	0.02	-	-	-	-	-	-	-
		Sones	2.6	2.0	-	-	-	-	-	-	-
1/4	750	CFM	629	468	-	-	-	-	-	-	-
		BHP	0.02	0.03	-	-	-	-	-	-	-
		Sones	3.6	2.9	-	-	-	-	-	-	-
1/4	850	CFM	713	575	384	-	-	-	-	-	-
		BHP	0.03	0.04	0.04	-	-	-	-	-	-
		Sones	4.6	3.9	3.6	-	-	-	-	-	-
1/4	950	CFM	797	675	533	-	-	-	-	-	-
		BHP	0.04	0.05	0.05	-	-	-	-	-	-
		Sones	5.5	4.9	4.5	-	-	-	-	-	-
1/4	1050	CFM	881	771	651	488	-	-	-	-	-
		BHP	0.06	0.06	0.07	0.07	-	-	-	-	-
		Sones	6.5	6.0	5.6	5.4	-	-	-	-	-
1/4	1150	CFM	965	864	758	636	-	-	-	-	-
		BHP	0.07	0.08	0.09	0.10	-	-	-	-	-
		Sones	7.6	7.2	6.7	6.5	-	-	-	-	-
1/4	1250	CFM	1049	958	862	757	628	-	-	-	-
		BHP	0.09	0.10	0.11	0.12	0.12	-	-	-	-
		Sones	8.9	8.5	8.0	7.7	7.5	-	-	-	-
1/4	1350	CFM	1132	1050	961	866	762	619	-	-	-
		BHP	0.12	0.13	0.14	0.15	0.15	0.16	-	-	-
		Sones	10.2	9.9	9.4	8.9	8.8	8.7	-	-	-
1/4	1450	CFM	1216	1141	1057	973	881	774	610	-	-
		BHP	0.14	0.16	0.17	0.18	0.19	0.19	0.19	-	-
		Sones	11.7	11.4	10.9	10.4	10.2	10.0	9.9	-	-
1/4	1550	CFM	1300	1230	1151	1076	991	902	797	615	-
		BHP	0.18	0.19	0.20	0.21	0.22	0.23	0.24	0.23	-
		Sones	13.1	12.7	12.3	11.9	11.5	11.3	11.2	11.0	-
1/3	1650	CFM	1384	1319	1245	1174	1098	1018	930	825	638
		BHP	0.21	0.23	0.24	0.25	0.26	0.27	0.28	0.29	0.28
		Sones	14.3	13.9	13.5	13.1	12.6	12.4	12.3	12.1	12.0
1/3	1750	CFM	1468	1407	1338	1270	1201	1126	1050	962	860
		BHP	0.25	0.27	0.28	0.29	0.30	0.32	0.33	0.34	0.34
		Sones	15.5	15.1	14.8	14.4	13.9	13.5	13.4	13.3	13.2

Power Ratings (BHP) does not include transmission losses.
 Performance certified is for installation type A - free inlet, free outlet.
 Performance ratings do not include the effects of birdscreen in the airstream.
 The sound ratings shown are loudness values in fan sones @ 5' (1.5m) in a hemispherical free field calculated per AMCA Standard 301. Values shown are for: Installation Type A: free inlet hemispherical sone levels.



S&P USA Ventilation Systems, LLC., Div. of Soler & Palau Ventilation Group, certifies that the Models STXB shown herein are licensed to bear the AMCA Seal. The ratings shown are based on test and procedures performed in accordance with AMCA Publication 211 and AMCA Publication 311 and comply with the requirement of the AMCA Certified Ratings Program.



STANDARD 705 for Electrical
STANDARD 762 for Grease Removal



SIZE 12

Motor HP	RPM		Static Pressure in Inches w.g.									
			0	0.125	0.25	0.375	0.5	0.625	0.75	0.875	1	1.25
1/4	800	CFM	884	715	475	-	-	-	-	-	-	-
		BHP	0.03	0.04	0.04	-	-	-	-	-	-	-
		Sones	4.4	3.9	3.4	-	-	-	-	-	-	-
1/4	900	CFM	995	849	666	318	-	-	-	-	-	-
		BHP	0.05	0.06	0.06	0.06	-	-	-	-	-	-
		Sones	5.5	4.9	4.5	4.0	-	-	-	-	-	-
1/4	1000	CFM	1105	972	821	626	-	-	-	-	-	-
		BHP	0.06	0.07	0.08	0.09	-	-	-	-	-	-
		Sones	6.6	6.0	5.6	5.1	-	-	-	-	-	-
1/4	1100	CFM	1216	1092	967	811	595	-	-	-	-	-
		BHP	0.08	0.09	0.11	0.11	0.11	-	-	-	-	-
		Sones	7.7	7.2	6.8	6.5	6.1	-	-	-	-	-
1/4	1200	CFM	1326	1214	1108	969	813	-	-	-	-	-
		BHP	0.11	0.12	0.13	0.14	0.15	-	-	-	-	-
		Sones	8.9	8.5	8.1	7.8	7.4	-	-	-	-	-
1/4	1300	CFM	1437	1333	1235	1115	986	827	-	-	-	-
		BHP	0.14	0.15	0.17	0.18	0.18	0.19	-	-	-	-
		Sones	10.3	9.9	9.5	9.2	8.8	8.5	-	-	-	-
1/4	1400	CFM	1547	1452	1357	1260	1140	1013	854	-	-	-
		BHP	0.17	0.18	0.20	0.22	0.22	0.23	0.24	-	-	-
		Sones	11.8	11.4	11.0	10.7	10.4	10.0	9.6	-	-	-
1/3	1500	CFM	1658	1569	1477	1396	1285	1177	1050	896	-	-
		BHP	0.21	0.22	0.24	0.26	0.27	0.28	0.29	0.29	-	-
		Sones	13.4	13.0	12.6	12.3	12.0	11.7	11.3	10.9	-	-
1/3	1600	CFM	1768	1686	1599	1522	1431	1326	1221	1098	950	-
		BHP	0.25	0.27	0.29	0.31	0.32	0.33	0.34	0.35	0.35	-
		Sones	14.7	14.2	13.8	13.5	13.2	13.0	12.6	12.3	11.9	-
1/2	1700	CFM	1879	1801	1720	1644	1570	1471	1375	1272	1155	822
		BHP	0.30	0.32	0.34	0.36	0.38	0.39	0.40	0.41	0.42	0.41
		Sones	16.0	15.6	15.2	14.8	14.6	14.3	14.0	13.7	13.3	12.7
1/2	1800	CFM	1989	1916	1840	1765	1698	1616	1520	1431	1331	1086
		BHP	0.36	0.38	0.40	0.42	0.44	0.46	0.47	0.48	0.49	0.50
		Sones	17.3	16.9	16.5	16.2	15.9	15.7	15.4	15.2	14.8	14.1

Power Ratings (BHP) does not include transmission losses.
 Performance certified is for installation type A - free inlet, free outlet.
 Performance ratings do not include the effects of birdscreen in the airstream.
 The sound ratings shown are loudness values in fan sones @ 5' (1.5m) in a hemispherical free field calculated per AMCA Standard 301. Values shown are for: Installation Type A: free inlet hemispherical sone levels.



S&P USA Ventilation Systems, LLC., Div. of Soler & Palau Ventilation Group, certifies that the Models STXB shown herein are licensed to bear the AMCA Seal. The ratings shown are based on test and procedures performed in accordance with AMCA Publication 211 and AMCA Publication 311 and comply with the requirement of the AMCA Certified Ratings Program.



STANDARD 705 for Electrical
STANDARD 762 for Grease Removal



SIZE 14

Motor HP	RPM		Static Pressure in Inches w.g.										
			0	0.125	0.25	0.375	0.5	0.625	0.75	0.875	1	1.25	1.5
1/4	550	CFM	1111	808	-	-	-	-	-	-	-	-	-
		BHP	0.03	0.03	-	-	-	-	-	-	-	-	-
		Sones	3.3	2.3	-	-	-	-	-	-	-	-	-
1/4	650	CFM	1313	1081	-	-	-	-	-	-	-	-	
		BHP	0.04	0.05	-	-	-	-	-	-	-	-	
		Sones	4.5	3.7	-	-	-	-	-	-	-	-	
1/4	750	CFM	1515	1324	1062	-	-	-	-	-	-	-	
		BHP	0.06	0.08	0.09	-	-	-	-	-	-	-	
		Sones	6.0	5.4	4.7	-	-	-	-	-	-	-	
1/4	850	CFM	1717	1552	1344	1070	-	-	-	-	-	-	
		BHP	0.09	0.11	0.12	0.13	-	-	-	-	-	-	
		Sones	7.5	6.8	6.0	5.8	-	-	-	-	-	-	
1/4	950	CFM	1920	1775	1607	1392	1049	-	-	-	-	-	
		BHP	0.13	0.15	0.16	0.18	0.18	-	-	-	-	-	
		Sones	8.9	8.2	7.4	6.8	6.9	-	-	-	-	-	
1/4	1050	CFM	2122	1993	1847	1671	1472	-	-	-	-	-	
		BHP	0.17	0.20	0.21	0.23	0.24	-	-	-	-	-	
		Sones	10.3	9.6	9.0	8.5	8.1	-	-	-	-	-	
1/3	1150	CFM	2324	2208	2077	1934	1758	1573	-	-	-	-	
		BHP	0.23	0.25	0.27	0.29	0.31	0.32	-	-	-	-	
		Sones	11.8	11.3	10.9	10.3	9.8	9.6	-	-	-	-	
1/2	1250	CFM	2526	2421	2303	2178	2030	1865	1691	-	-	-	
		BHP	0.29	0.32	0.34	0.37	0.39	0.40	0.41	-	-	-	
		Sones	13.6	13.2	12.9	12.4	11.8	11.3	11.2	-	-	-	
1/2	1350	CFM	2728	2631	2525	2411	2289	2142	1987	1826	-	-	
		BHP	0.37	0.40	0.42	0.45	0.47	0.49	0.51	0.52	-	-	
		Sones	15.6	15.2	15.0	14.6	13.9	13.4	12.9	12.9	-	-	
3/4	1450	CFM	2930	2841	2743	2639	2530	2408	2267	2123	1975	-	
		BHP	0.46	0.49	0.52	0.54	0.57	0.59	0.61	0.63	0.64	-	
		Sones	17.7	17.3	17.1	16.9	16.3	15.7	15.2	14.6	14.7	-	
3/4	1550	CFM	3132	3049	2960	2863	2763	2658	2537	2405	2269	1947	
		BHP	0.56	0.59	0.62	0.65	0.68	0.71	0.73	0.75	0.77	0.78	
		Sones	19.6	19.4	19.1	18.8	18.4	17.8	17.3	16.8	16.3	16.6	
1	1650	CFM	3334	3256	3174	3085	2991	2897	2795	2676	2551	2298	1856
		BHP	0.68	0.71	0.74	0.77	0.80	0.83	0.86	0.89	0.91	0.94	0.92
		Sones	21.3	21.1	20.8	20.6	20.4	19.8	19.3	18.7	18.1	17.7	18.1

Power Ratings (BHP) does not include transmission losses.
 Performance certified is for installation type A - free inlet, free outlet.
 Performance ratings do not include the effects of birdscreen in the airstream.
 The sound ratings shown are loudness values in fan sones @ 5' (1.5m) in a hemispherical free field calculated per AMCA Standard 301. Values shown are for: Installation Type A: free inlet hemispherical sone levels.



S&P USA Ventilation Systems, LLC., Div. of Soler & Palau Ventilation Group, certifies that the Models STXB shown herein are licensed to bear the AMCA Seal. The ratings shown are based on test and procedures performed in accordance with AMCA Publication 211 and AMCA Publication 311 and comply with the requirement of the AMCA Certified Ratings Program.



STANDARD 705 for Electrical
STANDARD 762 for Grease Removal



SIZE 15

Motor HP	RPM		Static Pressure in Inches w.g.											
			0	0.125	0.25	0.375	0.5	0.625	0.75	0.875	1	1.25	1.5	1.75
1/4	700	CFM	1612	1394	1126	-	-	-	-	-	-	-	-	-
		BHP	0.06	0.07	0.09	-	-	-	-	-	-	-	-	-
		Sones	5.5	4.8	4.4	-	-	-	-	-	-	-	-	-
1/4	800	CFM	1842	1656	1448	1162	-	-	-	-	-	-	-	-
		BHP	0.09	0.11	0.12	0.13	-	-	-	-	-	-	-	-
		Sones	6.9	6.3	5.8	5.8	-	-	-	-	-	-	-	-
1/4	900	CFM	2072	1910	1729	1524	1249	-	-	-	-	-	-	-
		BHP	0.12	0.15	0.16	0.18	0.19	-	-	-	-	-	-	-
		Sones	8.3	7.7	7.2	7.0	7.0	-	-	-	-	-	-	-
1/4	1000	CFM	2302	2160	1998	1832	1627	1366	-	-	-	-	-	-
		BHP	0.17	0.19	0.22	0.24	0.25	0.26	-	-	-	-	-	-
		Sones	9.7	9.1	8.6	8.3	8.3	8.3	-	-	-	-	-	-
1/3	1100	CFM	2533	2405	2260	2111	1953	1757	1519	-	-	-	-	-
		BHP	0.22	0.25	0.28	0.30	0.32	0.34	0.34	-	-	-	-	-
		Sones	11.4	10.7	10.2	9.9	9.6	9.7	10.5	-	-	-	-	-
1/2	1200	CFM	2763	2648	2517	2382	2244	2091	1907	1694	1147	-	-	-
		BHP	0.29	0.32	0.35	0.38	0.40	0.42	0.44	0.44	0.40	-	-	-
		Sones	13.2	12.7	12.3	11.9	11.5	11.3	12.3	11.5	11.6	-	-	-
3/4	1300	CFM	2993	2888	2770	2646	2519	2391	2244	2073	1876	-	-	-
		BHP	0.37	0.40	0.43	0.46	0.49	0.51	0.54	0.56	0.56	-	-	-
		Sones	15.2	14.8	14.4	14.0	13.6	13.3	14.1	13.3	13.4	-	-	-
3/4	1400	CFM	3223	3126	3019	2905	2788	2671	2549	2410	2252	1850	-	-
		BHP	0.46	0.50	0.53	0.56	0.59	0.62	0.65	0.68	0.70	0.70	-	-
		Sones	17.4	17.0	16.7	16.3	15.9	15.6	16.4	15.2	15.3	15.5	-	-
1	1500	CFM	3453	3363	3266	3160	3052	2943	2833	2718	2588	2279	1750	-
		BHP	0.56	0.60	0.64	0.68	0.71	0.74	0.77	0.80	0.83	0.87	0.84	-
		Sones	19.8	19.4	19.0	18.6	18.3	18.0	18.5	17.3	17.3	17.5	17.7	-
1	1600	CFM	3684	3600	3510	3412	3311	3210	3107	3004	2895	2638	2325	1669
		BHP	0.68	0.73	0.77	0.81	0.84	0.88	0.91	0.94	0.97	1.04	1.05	0.98
		Sones	21.5	21.2	20.9	20.5	20.2	19.8	19.4	19.1	18.7	18.9	19.1	19.3

Power Ratings (BHP) does not include transmission losses.
 Performance certified is for installation type A - free inlet, free outlet.
 Performance ratings do not include the effects of birdscreen in the airstream.
 The sound ratings shown are loudness values in fan sones @ 5' (1.5m) in a hemispherical free field calculated per AMCA Standard 301. Values shown are for: Installation Type A: free inlet hemispherical sone levels.



S&P USA Ventilation Systems, LLC., Div. of Soler & Palau Ventilation Group, certifies that the Models STXB shown herein are licensed to bear the AMCA Seal. The ratings shown are based on test and procedures performed in accordance with AMCA Publication 211 and AMCA Publication 311 and comply with the requirement of the AMCA Certified Ratings Program.



STANDARD 705 for Electrical
STANDARD 762 for Grease Removal



SIZE 15 HIGH PRESSURE

Motor HP	RPM		Static Pressure in Inches w.g.												
			0.25	0.375	0.5	0.625	0.75	0.875	1	1.25	1.5	1.75	2	2.25	2.5
1/4	750	CFM	881	483	-	-	-	-	-	-	-	-	-	-	-
		BHP	0.07	0.07	-	-	-	-	-	-	-	-	-	-	-
		Sones	4.4	4.3	-	-	-	-	-	-	-	-	-	-	-
1/4	850	CFM	1110	908	439	-	-	-	-	-	-	-	-	-	
		BHP	0.10	0.11	0.10	-	-	-	-	-	-	-	-	-	
		Sones	5.9	5.5	5.4	-	-	-	-	-	-	-	-	-	
1/4	950	CFM	1324	1154	960	488	-	-	-	-	-	-	-	-	
		BHP	0.13	0.14	0.15	0.13	-	-	-	-	-	-	-	-	
		Sones	7.4	6.7	6.6	6.4	-	-	-	-	-	-	-	-	
1/4	1050	CFM	1523	1379	1221	1035	606	-	-	-	-	-	-	-	
		BHP	0.16	0.18	0.20	0.20	0.19	-	-	-	-	-	-	-	
		Sones	9.0	8.3	7.8	7.7	7.6	-	-	-	-	-	-	-	
1/4	1150	CFM	1713	1594	1454	1308	1133	767	-	-	-	-	-	-	
		BHP	0.21	0.23	0.25	0.26	0.27	0.25	-	-	-	-	-	-	
		Sones	10.6	9.9	9.3	8.9	8.8	8.7	-	-	-	-	-	-	
1/3	1250	CFM	1898	1795	1675	1544	1409	1250	952	-	-	-	-	-	
		BHP	0.26	0.28	0.30	0.32	0.33	0.34	0.34	-	-	-	-	-	
		Sones	12.3	11.6	11.0	10.4	10.2	10.0	10.0	-	-	-	-	-	
1/2	1350	CFM	2079	1987	1886	1768	1647	1521	1377	-	-	-	-	-	
		BHP	0.32	0.34	0.36	0.39	0.41	0.42	0.43	-	-	-	-	-	
		Sones	14.1	13.4	12.9	12.2	11.6	11.5	11.4	-	-	-	-	-	
1/2	1450	CFM	2258	2175	2085	1985	1873	1760	1643	1336	-	-	-	-	
		BHP	0.38	0.41	0.44	0.46	0.48	0.50	0.52	0.54	-	-	-	-	
		Sones	16.0	15.4	14.8	14.2	13.7	13.2	13.0	13.0	-	-	-	-	
3/4	1550	CFM	2436	2359	2278	2191	2092	1987	1881	1652	1276	-	-	-	
		BHP	0.46	0.49	0.52	0.54	0.57	0.59	0.62	0.65	0.65	-	-	-	
		Sones	18.0	17.4	16.8	16.3	15.7	15.1	14.7	14.4	14.4	-	-	-	
3/4	1650	CFM	2612	2540	2466	2388	2303	2208	2109	1907	1677	1238	-	-	
		BHP	0.54	0.58	0.61	0.64	0.66	0.69	0.72	0.76	0.79	0.77	-	-	
		Sones	19.9	19.3	18.8	18.3	17.8	17.3	16.8	16.2	15.8	15.7	-	-	
1	1750	CFM	2787	2720	2651	2579	2503	2420	2330	2142	1947	1709	1235	-	
		BHP	0.64	0.68	0.71	0.75	0.77	0.80	0.83	0.88	0.92	0.94	0.91	-	
		Sones	21.8	21.2	20.7	20.2	19.7	19.3	18.9	18.1	17.6	17.3	17.0	-	
1	1850	CFM	2961	2898	2833	2767	2698	2624	2544	2370	2189	1998	1752	1270	
		BHP	0.75	0.79	0.82	0.86	0.89	0.92	0.95	1.01	1.06	1.10	1.12	1.06	
		Sones	23.7	23.2	22.6	22.1	21.7	21.3	20.9	20.0	19.3	19.0	18.7	18.5	

Power Ratings (BHP) does not include transmission losses.
 Performance certified is for installation type A - free inlet, free outlet.
 Performance ratings do not include the effects of birdscreen in the airstream.
 The sound ratings shown are loudness values in fan sones @ 5' (1.5m) in a hemispherical free field calculated per AMCA Standard 301. Values shown are for: Installation Type A: free inlet hemispherical sone levels.



S&P USA Ventilation Systems, LLC., Div. of Soler & Palau Ventilation Group, certifies that the Models STXB shown herein are licensed to bear the AMCA Seal. The ratings shown are based on test and procedures performed in accordance with AMCA Publication 211 and AMCA Publication 311 and comply with the requirement of the AMCA Certified Ratings Program.



STANDARD 705 for Electrical
STANDARD 762 for Grease Removal



SIZE 16

Motor HP	RPM		Static Pressure in Inches w.g.										
			0	0.125	0.25	0.375	0.5	0.625	0.75	0.875	1	1.25	1.5
1/4	700	CFM	1988	1762	1494	977	-	-	-	-	-	-	-
		BHP	0.09	0.10	0.12	0.12	-	-	-	-	-	-	-
		Sones	6.8	6.3	5.3	4.2	-	-	-	-	-	-	-
1/4	750	CFM	2130	1920	1683	1363	-	-	-	-	-	-	-
		BHP	0.10	0.12	0.14	0.15	-	-	-	-	-	-	-
		Sones	8.0	7.6	6.6	5.3	-	-	-	-	-	-	-
1/4	800	CFM	2272	2076	1863	1596	1006	-	-	-	-	-	-
		BHP	0.13	0.15	0.17	0.18	0.17	-	-	-	-	-	-
		Sones	8.7	8.3	7.5	6.4	5.3	-	-	-	-	-	-
1/4	850	CFM	2414	2231	2035	1801	1495	-	-	-	-	-	-
		BHP	0.15	0.17	0.20	0.22	0.22	-	-	-	-	-	-
		Sones	9.5	9.2	8.4	7.4	6.3	-	-	-	-	-	-
1/4	900	CFM	2555	2383	2201	1992	1740	1208	-	-	-	-	-
		BHP	0.18	0.20	0.23	0.25	0.26	0.24	-	-	-	-	-
		Sones	10.3	9.9	9.3	8.5	7.4	6.5	-	-	-	-	-
1/4	950	CFM	2697	2535	2364	2175	1952	1670	-	-	-	-	-
		BHP	0.21	0.24	0.26	0.29	0.30	0.31	-	-	-	-	-
		Sones	11.2	10.6	10.1	9.3	8.4	7.5	-	-	-	-	-
1/3	1000	CFM	2839	2685	2524	2352	2152	1917	1511	-	-	-	-
		BHP	0.25	0.27	0.30	0.33	0.35	0.36	0.35	-	-	-	-
		Sones	12.1	11.5	10.9	10.2	9.4	8.5	7.8	-	-	-	-
1/2	1050	CFM	2981	2835	2682	2522	2341	2132	1875	-	-	-	-
		BHP	0.29	0.32	0.34	0.37	0.39	0.41	0.42	-	-	-	-
		Sones	13.0	12.5	12.0	11.2	10.4	9.6	8.9	-	-	-	-
1/2	1100	CFM	3123	2984	2839	2688	2523	2335	2121	1822	-	-	-
		BHP	0.33	0.36	0.39	0.42	0.44	0.47	0.48	0.48	-	-	-
		Sones	13.9	13.4	13.0	12.3	11.5	10.8	10.0	9.3	-	-	-
3/4	1150	CFM	3265	3132	2994	2852	2699	2528	2334	2105	1687	-	-
		BHP	0.38	0.41	0.44	0.47	0.50	0.52	0.54	0.55	0.53	-	-
		Sones	14.9	14.4	14.0	13.4	12.8	12.2	11.3	10.6	9.9	-	-
3/4	1200	CFM	3407	3280	3148	3012	2871	2713	2539	2344	2103	-	-
		BHP	0.43	0.46	0.49	0.52	0.56	0.58	0.61	0.62	0.62	-	-
		Sones	15.9	15.5	15.1	14.7	14.1	13.5	12.8	11.9	11.2	-	-
3/4	1250	CFM	3549	3427	3301	3171	3038	2892	2732	2555	2355	-	-
		BHP	0.48	0.52	0.55	0.58	0.62	0.65	0.67	0.69	0.71	-	-
		Sones	17.0	16.8	16.5	16.2	15.5	14.9	14.3	13.4	12.6	-	-
1	1300	CFM	3691	3574	3453	3329	3202	3067	2919	2757	2579	2051	-
		BHP	0.54	0.58	0.61	0.65	0.68	0.72	0.75	0.77	0.79	0.78	-
		Sones	18.4	18.1	17.8	17.5	17.0	16.4	15.8	15.0	14.1	12.6	-
1	1350	CFM	3833	3720	3605	3485	3364	3238	3100	2950	2788	2394	-
		BHP	0.61	0.65	0.68	0.72	0.75	0.79	0.82	0.85	0.87	0.89	-
		Sones	19.8	19.5	19.2	18.9	18.4	17.8	17.3	16.6	15.7	14.0	-
1	1400	CFM	3975	3867	3755	3641	3524	3404	3276	3137	2988	2645	1953
		BHP	0.68	0.72	0.75	0.79	0.83	0.87	0.90	0.93	0.96	0.99	0.93
		Sones	21.1	20.9	20.7	20.4	20.1	19.4	18.8	18.2	17.4	15.7	14.1

Power Ratings (BHP) does not include transmission losses.
 Performance certified is for installation type A - free inlet, free outlet.
 Performance ratings do not include the effects of birdscreen in the airstream.
 The sound ratings shown are loudness values in fan sones @ 5' (1.5m) in a hemispherical free field calculated per AMCA Standard 301. Values shown are for: Installation Type A: free inlet hemispherical sone levels.



S&P USA Ventilation Systems, LLC, Div. of Soler & Palau Ventilation Group, certifies that the Models STXB shown herein are licensed to bear the AMCA Seal. The ratings shown are based on test and procedures performed in accordance with AMCA Publication 211 and AMCA Publication 311 and comply with the requirement of the AMCA Certified Ratings Program.





SIZE 16 HIGH PRESSURE

Motor HP	RPM		Static Pressure in Inches w.g.											
			0.25	0.375	0.5	0.625	0.75	0.875	1	1.25	1.5	1.75	2	2.25
1/4	800	CFM	1294	1054	-	-	-	-	-	-	-	-	-	-
		BHP	0.11	0.12	-	-	-	-	-	-	-	-	-	-
		Sones	6.2	5.7	-	-	-	-	-	-	-	-	-	-
1/4	900	CFM	1560	1362	1140	603	-	-	-	-	-	-	-	
		BHP	0.15	0.16	0.17	0.15	-	-	-	-	-	-	-	
		Sones	7.9	7.4	6.9	6.4	-	-	-	-	-	-	-	
1/4	1000	CFM	1797	1641	1458	1253	804	-	-	-	-	-	-	
		BHP	0.19	0.21	0.23	0.24	0.22	-	-	-	-	-	-	
		Sones	9.4	8.9	8.6	8.1	7.7	-	-	-	-	-	-	
1/3	1100	CFM	2027	1905	1742	1576	1389	1040	-	-	-	-	-	
		BHP	0.24	0.27	0.29	0.31	0.32	0.31	-	-	-	-	-	
		Sones	10.9	10.5	10.2	9.8	9.4	9.0	-	-	-	-	-	
1/2	1200	CFM	2257	2144	2017	1865	1712	1539	1283	-	-	-	-	
		BHP	0.30	0.33	0.36	0.38	0.40	0.41	0.41	-	-	-	-	
		Sones	12.7	12.3	11.9	11.6	11.2	10.8	10.4	-	-	-	-	
1/3	1300	CFM	2483	2374	2272	2143	2003	1861	1700	1119	-	-	-	
		BHP	0.37	0.40	0.43	0.46	0.48	0.50	0.52	0.50	-	-	-	
		Sones	14.4	14.0	13.7	13.4	13.1	12.7	12.3	11.9	-	-	-	
3/4	1400	CFM	2705	2604	2509	2409	2281	2152	2020	1721	995	-	-	
		BHP	0.46	0.49	0.52	0.55	0.58	0.60	0.63	0.65	0.59	-	-	
		Sones	16.6	16.2	15.8	15.4	15.1	14.8	14.5	14.0	13.5	-	-	
1	1500	CFM	2925	2833	2739	2652	2551	2430	2309	2056	1742	944	-	
		BHP	0.55	0.59	0.62	0.66	0.69	0.72	0.74	0.79	0.81	0.70	-	
		Sones	18.8	18.4	18.2	17.8	17.5	17.1	16.8	16.1	15.5	15.2	-	
1	1600	CFM	3142	3058	2969	2886	2802	2702	2588	2361	2109	1775	969	
		BHP	0.66	0.69	0.73	0.77	0.81	0.84	0.87	0.93	0.96	0.98	0.83	
		Sones	20.9	20.5	20.0	19.7	19.4	19.1	18.8	18.3	17.6	17.0	16.6	
1	1700	CFM	3357	3281	3198	3115	3039	2958	2861	2646	2430	2186	1834	1061
		BHP	0.78	0.82	0.86	0.90	0.94	0.98	1.01	1.07	1.13	1.16	1.17	1.01
		Sones	23.1	22.7	22.3	22.0	21.7	21.4	21.1	20.5	19.9	19.1	18.5	18.1

Power Ratings (BHP) does not include transmission losses.
 Performance certified is for installation type A - free inlet, free outlet.
 Performance ratings do not include the effects of birdscreen in the airstream.
 The sound ratings shown are loudness values in fan sones @ 5' (1.5m) in a hemispherical free field calculated per AMCA Standard 301. Values shown are for: Installation Type A: free inlet hemispherical sone levels.



S&P USA Ventilation Systems, LLC., Div. of Soler & Palau Ventilation Group, certifies that the Models STXB shown herein are licensed to bear the AMCA Seal. The ratings shown are based on test and procedures performed in accordance with AMCA Publication 211 and AMCA Publication 311 and comply with the requirement of the AMCA Certified Ratings Program.



STANDARD 705 for Electrical
STANDARD 762 for Grease Removal



SIZE 18

Motor HP	RPM		Static Pressure in Inches w.g.												
			0	0.125	0.25	0.375	0.5	0.625	0.75	0.875	1	1.25	1.5	1.75	2
1/4	600	CFM	2395	2112	1802	1306	-	-	-	-	-	-	-	-	-
		BHP	0.12	0.14	0.15	0.15	-	-	-	-	-	-	-	-	-
		Sones	7.3	6.0	5.1	4.5	-	-	-	-	-	-	-	-	-
1/4	700	CFM	2794	2550	2307	2011	1528	-	-	-	-	-	-	-	-
		BHP	0.19	0.21	0.23	0.25	0.24	-	-	-	-	-	-	-	-
		Sones	9.1	8.1	7.4	6.8	6.3	-	-	-	-	-	-	-	-
1/2	800	CFM	3194	2979	2770	2543	2271	1836	-	-	-	-	-	-	-
		BHP	0.29	0.31	0.34	0.35	0.37	0.36	-	-	-	-	-	-	-
		Sones	11.2	10.5	9.9	9.3	8.8	8.2	-	-	-	-	-	-	-
1/2	900	CFM	3593	3402	3213	3027	2816	2574	2203	1876	-	-	-	-	-
		BHP	0.41	0.44	0.46	0.49	0.51	0.52	0.51	0.49	-	-	-	-	-
		Sones	13.5	12.9	12.4	11.8	11.2	10.6	10.1	9.7	-	-	-	-	-
3/4	1000	CFM	3992	3820	3650	3483	3311	3116	2903	2593	2215	-	-	-	-
		BHP	0.56	0.59	0.62	0.65	0.68	0.70	0.71	0.71	0.69	-	-	-	-
		Sones	15.5	15.1	14.6	14.1	13.6	13.1	12.6	12.1	11.6	-	-	-	-
1	1100	CFM	4391	4235	4079	3925	3775	3615	3437	3249	3000	2399	-	-	-
		BHP	0.75	0.78	0.82	0.85	0.88	0.91	0.93	0.95	0.95	0.91	-	-	-
		Sones	17.7	17.4	17.0	16.6	16.2	15.7	15.3	14.9	14.5	13.7	-	-	-
1-1/2	1200	CFM	4790	4647	4504	4362	4223	4084	3936	3773	3605	3135	2612	-	-
		BHP	0.97	1.01	1.05	1.08	1.12	1.15	1.18	1.20	1.22	1.23	1.19	-	-
		Sones	19.9	19.6	19.4	19.1	18.8	18.4	18.0	17.6	17.2	16.6	15.9	-	-
2	1300	CFM	5189	5057	4925	4794	4664	4536	4407	4270	4121	3800	3323	2834	-
		BHP	1.23	1.27	1.31	1.36	1.39	1.43	1.46	1.49	1.52	1.57	1.56	1.51	-
		Sones	22.8	22.5	22.2	21.9	21.6	21.2	20.8	20.4	20.0	19.4	18.7	18.2	-
2	1400	CFM	5589	5466	5343	5221	5100	4979	4862	4741	4614	4332	4022	3557	3056
		BHP	1.54	1.58	1.63	1.67	1.72	1.76	1.79	1.83	1.86	1.92	1.96	1.95	1.88
		Sones	25.7	25.4	25.2	24.9	24.6	24.4	24.0	23.6	23.2	22.5	21.8	21.2	20.5

Power Ratings (BHP) does not include transmission losses.
 Performance certified is for installation type A - free inlet, free outlet.
 Performance ratings do not include the effects of birdscreen in the airstream.
 The sound ratings shown are loudness values in fan sones @ 5' (1.5m) in a hemispherical free field calculated per AMCA Standard 301. Values shown are for: Installation Type A: free inlet hemispherical sone levels.



S&P USA Ventilation Systems, LLC., Div. of Soler & Palau Ventilation Group, certifies that the Models STXB shown herein are licensed to bear the AMCA Seal. The ratings shown are based on test and procedures performed in accordance with AMCA Publication 211 and AMCA Publication 311 and comply with the requirement of the AMCA Certified Ratings Program.



STANDARD 705 for Electrical
STANDARD 762 for Grease Removal



SIZE 18 High Pressure

Motor HP	RPM		Static Pressure in Inches w.g.											
			0.25	0.375	0.5	0.75	1	1.25	1.5	1.75	2	2.25	2.5	2.75
1/3	850	CFM	2328	2151	1941	1297	-	-	-	-	-	-	-	-
		BHP	0.29	0.31	0.33	0.32	-	-	-	-	-	-	-	-
		Sones	9.6	9.0	8.4	8.4	-	-	-	-	-	-	-	-
1/2	950	CFM	2667	2527	2360	1941	-	-	-	-	-	-	-	-
		BHP	0.39	0.41	0.43	0.46	-	-	-	-	-	-	-	-
		Sones	11.6	11.2	10.7	10.4	-	-	-	-	-	-	-	-
3/4	1050	CFM	2997	2882	2745	2417	1976	-	-	-	-	-	-	-
		BHP	0.51	0.54	0.57	0.61	0.62	-	-	-	-	-	-	-
		Sones	14.0	13.7	13.2	12.5	12.5	-	-	-	-	-	-	-
1	1150	CFM	3321	3221	3109	2837	2504	2054	-	-	-	-	-	-
		BHP	0.65	0.69	0.72	0.77	0.82	0.82	-	-	-	-	-	-
		Sones	16.6	16.3	15.9	15.0	14.4	14.5	-	-	-	-	-	-
1	1250	CFM	3643	3553	3457	3226	2953	2626	2180	-	-	-	-	-
		BHP	0.82	0.86	0.90	0.96	1.02	1.05	1.05	-	-	-	-	-
		Sones	19.2	18.9	18.5	17.8	17.1	16.6	16.8	-	-	-	-	-
1-1/2	1350	CFM	3962	3879	3794	3597	3364	3095	2779	2354	-	-	-	-
		BHP	1.02	1.06	1.11	1.18	1.24	1.30	1.33	1.32	-	-	-	-
		Sones	21.8	21.5	21.3	20.6	20.0	19.4	19.1	19.2	-	-	-	-
2	1450	CFM	4279	4201	4124	3954	3750	3522	3261	2959	2565	1996	-	-
		BHP	1.25	1.30	1.34	1.43	1.50	1.57	1.62	1.64	1.64	1.56	-	-
		Sones	24.7	24.4	24.1	23.6	23.0	22.4	21.8	21.7	21.9	22.0	-	-
2	1550	CFM	4595	4523	4450	4299	4122	3920	3698	3447	3162	2804	2350	-
		BHP	1.52	1.56	1.61	1.71	1.79	1.86	1.93	1.99	2.01	2.00	1.96	-
		Sones	27.6	27.4	27.1	26.6	26.1	25.5	25.0	24.5	24.5	24.6	24.8	-

Power Ratings (BHP) does not include transmission losses.
 Performance certified is for installation type A - free inlet, free outlet.
 Performance ratings do not include the effects of birdscreen in the airstream.
 The sound ratings shown are loudness values in fan sones @ 5' (1.5m) in a hemispherical free field calculated per AMCA Standard 301. Values shown are for: Installation Type A: free inlet hemispherical sone levels.



S&P USA Ventilation Systems, LLC., Div. of Soler & Palau Ventilation Group, certifies that the Models STXB shown herein are licensed to bear the AMCA Seal. The ratings shown are based on test and procedures performed in accordance with AMCA Publication 211 and AMCA Publication 311 and comply with the requirement of the AMCA Certified Ratings Program.





SIZE 20

Motor HP	RPM		Static Pressure in Inches w.g.											
			0	0.125	0.25	0.375	0.5	.625	.75	.875	1	1.25	1.5	1.75
1/4	500	CFM	2520	2148	1683	-	-	-	-	-	-	-	-	-
		BHP	0.10	0.12	0.13	-	-	-	-	-	-	-	-	-
		Sones	5.7	4.6	4.1	-	-	-	-	-	-	-	-	-
1/4	550	CFM	2772	2440	2055	-	-	-	-	-	-	-	-	
		BHP	0.13	0.15	0.17	-	-	-	-	-	-	-	-	
		Sones	6.6	5.6	5.1	-	-	-	-	-	-	-	-	
1/4	600	CFM	3024	2722	2392	1957	-	-	-	-	-	-	-	
		BHP	0.17	0.19	0.22	0.23	-	-	-	-	-	-	-	
		Sones	7.5	6.8	6.2	5.8	-	-	-	-	-	-	-	
1/3	650	CFM	3276	2997	2698	2344	1804	-	-	-	-	-	-	
		BHP	0.21	0.24	0.27	0.29	0.29	-	-	-	-	-	-	
		Sones	8.5	7.9	7.3	6.8	6.5	-	-	-	-	-	-	
1/2	700	CFM	3528	3268	2996	2702	2322	-	-	-	-	-	-	
		BHP	0.27	0.30	0.32	0.35	0.36	-	-	-	-	-	-	
		Sones	9.5	9.2	8.6	8.0	7.6	-	-	-	-	-	-	
1/2	750	CFM	3780	3535	3290	3024	2702	2350	-	-	-	-	-	
		BHP	0.33	0.36	0.39	0.42	0.44	0.45	-	-	-	-	-	
		Sones	10.8	10.4	10.0	9.4	8.8	8.4	-	-	-	-	-	
3/4	800	CFM	4032	3801	3578	3328	3063	2736	2291	-	-	-	-	
		BHP	0.40	0.43	0.46	0.49	0.52	0.54	0.54	-	-	-	-	
		Sones	12.2	11.9	11.5	10.8	10.2	9.7	9.3	-	-	-	-	
3/4	850	CFM	4284	4065	3858	3625	3392	3107	2781	2098	-	-	-	
		BHP	0.48	0.51	0.55	0.58	0.61	0.64	0.65	0.62	-	-	-	
		Sones	13.5	13.2	13.0	12.3	11.7	11.1	10.6	10.2	-	-	-	
3/4	900	CFM	4536	4329	4133	3921	3700	3463	3173	2862	-	-	-	
		BHP	0.57	0.60	0.64	0.68	0.71	0.74	0.76	0.77	-	-	-	
		Sones	14.6	14.4	14.1	13.6	13.0	12.4	11.9	11.4	-	-	-	
1	950	CFM	4788	4592	4405	4211	3998	3790	3541	3264	2983	-	-	
		BHP	0.66	0.71	0.74	0.78	0.82	0.85	0.88	0.90	0.91	-	-	
		Sones	15.8	15.5	15.3	14.9	14.4	13.8	13.3	12.8	12.4	-	-	
1	1000	CFM	5040	4853	4675	4496	4296	4099	3889	3633	3367	-	-	
		BHP	0.78	0.82	0.86	0.90	0.94	0.98	1.01	1.04	1.05	-	-	
		Sones	16.9	16.7	16.4	16.2	15.7	15.2	14.7	14.2	13.9	-	-	
1-1/2	1050	CFM	5292	5114	4943	4775	4591	4398	4211	3994	3741	3219	-	
		BHP	0.90	0.94	0.99	1.03	1.07	1.11	1.15	1.18	1.20	1.23	-	
		Sones	18.1	17.9	17.6	17.4	17.0	16.6	16.2	15.7	15.3	14.6	-	
1-1/2	1100	CFM	5544	5374	5209	5050	4880	4696	4518	4331	4110	3614	2294	
		BHP	1.03	1.08	1.13	1.17	1.21	1.26	1.30	1.34	1.37	1.40	1.24	
		Sones	19.3	19.0	18.8	18.7	18.4	17.9	17.5	17.2	16.8	16.1	15.4	
2	1150	CFM	5796	5633	5474	5322	5165	4992	4817	4647	4459	4010	3524	
		BHP	1.18	1.23	1.28	1.32	1.37	1.42	1.46	1.50	1.54	1.59	1.61	
		Sones	20.5	20.3	20.1	19.9	19.7	19.3	19.0	18.6	18.3	17.7	17.0	
2	1200	CFM	6048	5891	5738	5593	5445	5284	5115	4951	4784	4378	3915	
		BHP	1.34	1.39	1.44	1.49	1.54	1.59	1.63	1.68	1.72	1.79	1.82	
		Sones	22.0	21.8	21.6	21.3	21.1	20.8	20.5	20.2	19.9	19.2	18.5	
2	1250	CFM	6300	6150	6002	5861	5721	5572	5411	5249	5094	4738	4320	
		BHP	1.51	1.57	1.62	1.67	1.72	1.77	1.82	1.87	1.92	2.00	2.05	
		Sones	23.5	23.3	23.1	22.9	22.7	22.4	22.1	21.8	21.5	20.8	20.2	
2	1300	CFM	6552	6407	6265	6129	5994	5856	5704	5548	5396	5081	4688	
		BHP	1.70	1.76	1.81	1.87	1.92	1.97	2.03	2.08	2.12	2.22	2.28	
		Sones	25.0	24.8	24.7	24.5	24.3	24.1	23.7	23.4	23.1	22.5	21.8	

Power Ratings (BHP) does not include transmission losses.

Performance certified is for installation type A - free inlet, free outlet. Performance ratings do not include the effects of birdscreen in the airstream.

The sound ratings shown are loudness values in fan sones @ 5' (1.5m) in a hemispherical free field calculated per AMCA Standard 301. Values shown are for: Installation Type A: free inlet hemispherical sone levels.



S&P USA Ventilation Systems, LLC., Div. of Soler & Palau Ventilation Group, certifies that the Models STXB shown herein are licensed to bear the AMCA Seal. The ratings shown are based on test and procedures performed in accordance with AMCA Publication 211 and AMCA Publication 311 and comply with the requirement of the AMCA Certified Ratings Program.



STANDARD 705 for Electrical
STANDARD 762 for Grease Removal



SIZE 20 High Pressure

Motor HP	RPM		Static Pressure in Inches w.g.												
			0.25	0.375	0.5	0.625	.75	0.875	1	1.25	1.5	1.75	2	2.25	2.5
1/2	650	CFM	2317	1965	1305	-	-	-	-	-	-	-	-	-	-
		BHP	0.19	0.21	0.21	-	-	-	-	-	-	-	-	-	-
		Sones	5.8	5.5	6.0	-	-	-	-	-	-	-	-	-	-
1/2	700	CFM	2578	2292	1877	-	-	-	-	-	-	-	-	-	
		BHP	0.24	0.26	0.27	-	-	-	-	-	-	-	-	-	
		Sones	6.7	6.3	6.5	-	-	-	-	-	-	-	-	-	
1/2	750	CFM	2829	2585	2265	1772	-	-	-	-	-	-	-	-	
		BHP	0.29	0.31	0.33	0.33	-	-	-	-	-	-	-	-	
		Sones	7.7	7.3	7.0	7.6	-	-	-	-	-	-	-	-	
1/2	800	CFM	3074	2859	2596	2241	1674	-	-	-	-	-	-	-	
		BHP	0.34	0.36	0.39	0.40	0.39	-	-	-	-	-	-	-	
		Sones	8.8	8.3	7.9	8.1	8.7	-	-	-	-	-	-	-	
1/2	850	CFM	3315	3120	2894	2612	2236	1480	-	-	-	-	-	-	
		BHP	0.40	0.42	0.45	0.47	0.48	0.44	-	-	-	-	-	-	
		Sones	9.9	9.4	8.9	8.6	9.2	9.8	-	-	-	-	-	-	
3/4	900	CFM	3552	3373	3174	2937	2640	2238	-	-	-	-	-	-	
		BHP	0.46	0.50	0.52	0.55	0.57	0.57	-	-	-	-	-	-	
		Sones	11.0	10.4	10.0	9.6	9.7	10.3	-	-	-	-	-	-	
3/4	950	CFM	3787	3620	3440	3234	2988	2680	2253	-	-	-	-	-	
		BHP	0.54	0.57	0.60	0.63	0.66	0.67	0.67	-	-	-	-	-	
		Sones	12.1	11.6	11.2	10.7	10.3	10.8	11.4	-	-	-	-	-	
3/4	1000	CFM	4020	3863	3698	3514	3303	3051	2736	-	-	-	-	-	
		BHP	0.62	0.66	0.69	0.72	0.75	0.77	0.78	-	-	-	-	-	
		Sones	13.5	12.8	12.3	11.9	11.5	11.3	11.9	-	-	-	-	-	
1	1050	CFM	4251	4102	3949	3782	3596	3382	3127	2403	-	-	-	-	
		BHP	0.70	0.75	0.78	0.81	0.85	0.88	0.90	0.89	-	-	-	-	
		Sones	14.8	14.0	13.6	13.2	12.7	12.3	12.4	13.6	-	-	-	-	
1	1100	CFM	4481	4340	4195	4042	3875	3686	3470	2910	-	-	-	-	
		BHP	0.80	0.85	0.89	0.92	0.95	1.00	1.02	1.04	-	-	-	-	
		Sones	16.2	15.3	14.8	14.4	14.0	13.7	13.3	14.1	-	-	-	-	

Power Ratings (BHP) does not include transmission losses.
 Performance certified is for installation type A - free inlet, free outlet.
 Performance ratings do not include the effects of birdscreen in the airstream.
 The sound ratings shown are loudness values in fan sones @ 5' (1.5m) in a hemispherical free field calculated per AMCA Standard 301. Values shown are for: Installation Type A: free inlet hemispherical sone levels.



S&P USA Ventilation Systems, LLC., Div. of Soler & Palau Ventilation Group, certifies that the Models STXB shown herein are licensed to bear the AMCA Seal. The ratings shown are based on test and procedures performed in accordance with AMCA Publication 211 and AMCA Publication 311 and comply with the requirement of the AMCA Certified Ratings Program.





SIZE 20 High Pressure (Con't)

Motor HP	RPM		Static Pressure in Inches w.g.												
			0.25	0.375	0.5	0.625	.75	0.875	1	1.25	1.5	1.75	2	2.25	2.5
1-1/2	1150	CFM	4709	4575	4438	4295	4142	3974	3785	3318	2630	-	-	-	-
		BHP	0.91	0.96	1.00	1.04	1.07	1.11	1.15	1.19	1.17	-	-	-	-
		Sones	17.5	16.5	16.1	15.7	15.3	14.9	14.5	14.7	15.7	-	-	-	-
1-1/2	1200	CFM	4937	4808	4678	4544	4402	4249	4081	3679	3143	-	-	-	-
		BHP	1.02	1.07	1.13	1.16	1.20	1.23	1.28	1.33	1.35	-	-	-	-
		Sones	18.9	17.9	17.4	17.0	16.6	16.2	15.8	15.3	16.3	-	-	-	-
1-1/2	1250	CFM	5164	5040	4916	4788	4656	4515	4363	4010	3558	2920	-	-	-
		BHP	1.14	1.20	1.25	1.30	1.33	1.37	1.41	1.49	1.52	1.51	-	-	-
		Sones	20.2	19.2	18.8	18.4	18.0	17.5	17.2	16.5	17.0	18.0	-	-	-
2	1300	CFM	5390	5271	5152	5030	4906	4775	4635	4318	3930	3429	2610	-	-
		BHP	1.28	1.33	1.39	1.45	1.48	1.52	1.56	1.65	1.70	1.72	1.65	-	-
		Sones	21.6	20.6	20.1	19.7	19.3	19.0	18.6	17.9	17.6	18.5	19.5	-	-
2	1350	CFM	5615	5500	5386	5270	5151	5029	4899	4611	4269	3842	3264	-	-
		BHP	1.42	1.48	1.54	1.60	1.64	1.68	1.72	1.81	1.89	1.92	1.91	-	-
		Sones	23.0	22.0	21.5	21.1	20.7	20.3	19.9	19.3	18.6	19.2	20.1	-	-
2	1400	CFM	5840	5729	5619	5507	5394	5278	5157	4892	4585	4215	3754	3120	-
		BHP	1.58	1.64	1.70	1.76	1.82	1.86	1.89	1.98	2.08	2.13	2.15	2.11	-
		Sones	24.3	23.4	22.9	22.5	22.1	21.7	21.4	20.7	20.0	19.9	20.8	21.7	-
3	1450	CFM	6064	5957	5851	5743	5635	5524	5410	5164	4883	4557	4160	3661	2844
		BHP	1.75	1.80	1.87	1.93	1.99	2.04	2.08	2.16	2.27	2.34	2.38	2.38	2.27
		Sones	25.7	24.8	24.4	23.9	23.6	23.2	22.8	22.1	21.4	20.8	21.4	22.3	23.2
3	1500	CFM	6288	6184	6081	5978	5873	5767	5659	5428	5171	4877	4530	4103	3544
		BHP	1.93	1.98	2.05	2.12	2.18	2.24	2.28	2.36	2.47	2.56	2.61	2.64	2.62
		Sones	27.1	26.4	25.9	25.5	25.0	24.7	24.3	23.6	22.9	22.3	22.2	23.0	23.9
3	1550	CFM	6511	6411	6311	6211	6111	6008	5905	5687	5449	5179	4871	4505	4065
		BHP	2.12	2.18	2.24	2.31	2.38	2.45	2.49	2.57	2.68	2.79	2.86	2.90	2.91
		Sones	28.5	27.9	27.4	27.0	26.5	26.1	25.8	25.1	24.4	23.8	23.2	23.8	24.6
3	1600	CFM	6734	6637	6540	6443	6346	6248	6148	5942	5718	5471	5191	4868	4483
		BHP	2.32	2.38	2.45	2.52	2.59	2.66	2.72	2.81	2.90	3.02	3.11	3.17	3.20
		Sones	30.4	29.5	29.0	28.5	28.1	27.7	27.3	26.6	25.9	25.3	24.7	24.5	25.3

Power Ratings (BHP) does not include transmission losses.
 Performance certified is for installation type A - free inlet, free outlet.
 Performance ratings do not include the effects of birdscreen in the airstream.
 The sound ratings shown are loudness values in fan sones @ 5' (1.5m) in a hemispherical free field calculated per AMCA Standard 301. Values shown are for: Installation Type A: free inlet hemispherical sone levels.



S&P USA Ventilation Systems, LLC., Div. of Soler & Palau Ventilation Group, certifies that the Models STXB shown herein are licensed to bear the AMCA Seal. The ratings shown are based on test and procedures performed in accordance with AMCA Publication 211 and AMCA Publication 311 and comply with the requirement of the AMCA Certified Ratings Program.





SIZE 22

Motor HP	RPM		Static Pressure in Inches w.g.										
			0	0.125	0.25	0.375	0.5	0.625	0.75	0.875	1	1.25	
1/4	400	CFM	3285	2531	-	-	-	-	-	-	-	-	-
		BHP	0.10	0.12	-	-	-	-	-	-	-	-	-
		Sones	4.9	4.1	-	-	-	-	-	-	-	-	-
1/4	450	CFM	3696	3041	-	-	-	-	-	-	-	-	-
		BHP	0.15	0.17	-	-	-	-	-	-	-	-	-
		Sones	6.3	5.5	-	-	-	-	-	-	-	-	-
1/4	500	CFM	4106	3529	2816	-	-	-	-	-	-	-	-
		BHP	0.20	0.23	0.25	-	-	-	-	-	-	-	-
		Sones	7.8	7.0	6.3	-	-	-	-	-	-	-	-
1/3	550	CFM	4517	4003	3408	-	-	-	-	-	-	-	-
		BHP	0.27	0.30	0.32	-	-	-	-	-	-	-	-
		Sones	9.0	8.3	7.6	-	-	-	-	-	-	-	-
1/2	600	CFM	4928	4462	3937	3285	-	-	-	-	-	-	-
		BHP	0.35	0.38	0.41	0.43	-	-	-	-	-	-	-
		Sones	10.3	9.6	9.0	8.4	-	-	-	-	-	-	-
3/4	650	CFM	5338	4910	4434	3905	3355	-	-	-	-	-	-
		BHP	0.45	0.48	0.52	0.54	0.54	-	-	-	-	-	-
		Sones	11.7	11.0	10.3	9.7	9.3	-	-	-	-	-	-
3/4	700	CFM	5749	5351	4922	4461	3890	-	-	-	-	-	-
		BHP	0.56	0.60	0.64	0.66	0.68	-	-	-	-	-	-
		Sones	13.0	12.4	11.8	11.2	10.8	-	-	-	-	-	-
1	750	CFM	6160	5787	5400	4975	4503	3919	-	-	-	-	-
		BHP	0.69	0.73	0.77	0.80	0.82	0.83	-	-	-	-	-
		Sones	14.5	14.0	13.5	13.0	12.5	12.0	-	-	-	-	-
1	800	CFM	6570	6221	5868	5469	5063	4570	-	-	-	-	-
		BHP	0.84	0.88	0.92	0.97	0.99	1.01	-	-	-	-	-
		Sones	16.4	15.8	15.3	14.7	14.2	13.8	-	-	-	-	-
1-1/2	850	CFM	6981	6652	6323	5957	5583	5167	4666	-	-	-	-
		BHP	1.01	1.05	1.09	1.14	1.17	1.20	1.21	-	-	-	-
		Sones	18.1	17.6	17.1	16.6	16.2	15.7	15.3	-	-	-	-
1-1/2	900	CFM	7392	7081	6772	6438	6082	5720	5294	4782	-	-	-
		BHP	1.19	1.24	1.28	1.33	1.38	1.41	1.43	1.43	-	-	-
		Sones	20.0	19.4	18.9	18.5	18.0	17.6	17.2	16.8	-	-	-
2	950	CFM	7802	7508	7216	6909	6571	6239	5874	5449	4950	-	-
		BHP	1.41	1.45	1.50	1.55	1.61	1.64	1.66	1.68	1.68	-	-
		Sones	21.9	21.4	20.9	20.4	19.9	19.5	19.1	18.7	18.4	-	-
2	1000	CFM	8213	7933	7655	7372	7058	6739	6415	6048	5631	3656	-
		BHP	1.64	1.69	1.74	1.79	1.85	1.90	1.92	1.95	1.97	1.69	-
		Sones	24.0	23.5	23.0	22.6	22.1	21.7	21.2	20.8	20.4	19.6	-
2	1050	CFM	8624	8357	8092	7825	7536	7228	6929	6608	6242	5569	-
		BHP	1.90	1.95	2.00	2.05	2.11	2.18	2.21	2.24	2.26	2.28	-
		Sones	25.7	25.2	24.8	24.3	23.9	23.5	23.1	22.7	22.3	21.6	-

Power Ratings (BHP) does not include transmission losses.
 Performance certified is for installation type A - free inlet, free outlet.
 Performance ratings do not include the effects of birdscreen in the airstream.
 The sound ratings shown are loudness values in fan sones @ 5' (1.5m) in a hemispherical free field calculated per AMCA Standard 301. Values shown are for: Installation Type A: free inlet hemispherical sone levels.



S&P USA Ventilation Systems, LLC., Div. of Soler & Palau Ventilation Group, certifies that the Models STXB shown herein are licensed to bear the AMCA Seal. The ratings shown are based on test and procedures performed in accordance with AMCA Publication 211 and AMCA Publication 311 and comply with the requirement of the AMCA Certified Ratings Program.





SIZE 22 High Pressure

Motor HP	RPM		Static Pressure in Inches w.g.										
			0.25	0.375	0.5	0.625	0.75	.875	1	1.25	1.5	1.75	
1/2	550	CFM	2785	2079	-	-	-	-	-	-	-	-	-
		BHP	0.23	0.23	-	-	-	-	-	-	-	-	-
		Sones	7.0	6.2	-	-	-	-	-	-	-	-	-
1/2	600	CFM	3214	2679	-	-	-	-	-	-	-	-	-
		BHP	0.30	0.31	-	-	-	-	-	-	-	-	-
		Sones	8.2	7.6	-	-	-	-	-	-	-	-	-
1/2	650	CFM	3621	3195	2553	-	-	-	-	-	-	-	-
		BHP	0.37	0.39	0.39	-	-	-	-	-	-	-	-
		Sones	9.5	9.0	8.3	-	-	-	-	-	-	-	-
1/2	700	CFM	4019	3642	3175	-	-	-	-	-	-	-	-
		BHP	0.45	0.48	0.49	-	-	-	-	-	-	-	-
		Sones	10.9	10.5	9.9	-	-	-	-	-	-	-	-
3/4	750	CFM	4406	4062	3685	3155	1656	-	-	-	-	-	-
		BHP	0.54	0.57	0.60	0.60	0.49	-	-	-	-	-	-
		Sones	12.5	12.0	11.5	10.9	10.2	-	-	-	-	-	-
3/4	800	CFM	4782	4466	4133	3737	3186	-	-	-	-	-	-
		BHP	0.64	0.68	0.71	0.73	0.73	-	-	-	-	-	-
		Sones	14.2	13.7	13.2	12.8	12.0	-	-	-	-	-	-
1	850	CFM	5147	4865	4558	4226	3806	3206	-	-	-	-	-
		BHP	0.76	0.80	0.84	0.87	0.88	0.86	-	-	-	-	-
		Sones	16.0	15.5	15.0	14.5	13.9	13.2	-	-	-	-	-
1	900	CFM	5507	5254	4966	4670	4334	3894	3341	-	-	-	-
		BHP	0.90	0.94	0.98	1.01	1.04	1.04	1.02	-	-	-	-
		Sones	17.8	17.4	16.9	16.4	15.9	15.2	14.5	-	-	-	-
1-1/2	950	CFM	5863	5635	5367	5093	4801	4458	4008	-	-	-	-
		BHP	1.04	1.09	1.13	1.17	1.20	1.22	1.23	-	-	-	-
		Sones	19.7	19.2	18.7	18.1	17.7	17.2	16.6	-	-	-	-
1-1/2	1000	CFM	6216	6005	5762	5502	5237	4948	4601	-	-	-	-
		BHP	1.21	1.25	1.30	1.35	1.39	1.41	1.43	-	-	-	-
		Sones	21.7	21.2	20.7	20.2	19.7	19.2	18.7	-	-	-	-
2	1050	CFM	6567	6369	6149	5904	5656	5396	5109	4339	-	-	-
		BHP	1.39	1.44	1.49	1.54	1.58	1.62	1.64	1.66	-	-	-
		Sones	23.2	22.8	22.3	21.8	21.3	20.8	20.4	19.2	-	-	-
2	1100	CFM	6917	6728	6529	6301	6064	5825	5571	4944	-	-	-
		BHP	1.58	1.64	1.69	1.74	1.79	1.84	1.87	1.91	-	-	-
		Sones	24.7	24.3	23.8	23.4	22.9	22.4	22.0	21.0	-	-	-
3	1150	CFM	7265	7085	6899	6691	6466	6240	6007	5477	4751	-	-
		BHP	1.80	1.85	1.91	1.96	2.02	2.07	2.11	2.16	2.17	-	-
		Sones	26.2	25.8	25.4	25.0	24.6	24.1	23.6	22.8	21.7	-	-
3	1200	CFM	7612	7439	7264	7074	6863	6645	6428	5958	5358	4493	-
		BHP	2.03	2.09	2.15	2.21	2.27	2.32	2.37	2.44	2.48	2.43	-
		Sones	27.8	27.4	27.0	26.6	26.2	25.7	25.3	24.5	23.6	22.4	-
3	1250	CFM	7959	7791	7625	7450	7254	7047	6839	6406	5900	5222	-
		BHP	2.28	2.35	2.41	2.47	2.53	2.59	2.64	2.73	2.78	2.80	-
		Sones	29.5	29.1	28.6	28.2	27.8	27.4	27.0	26.2	25.4	24.3	-
3	1300	CFM	8304	8141	7982	7818	7639	7443	7241	6837	6391	5832	-
		BHP	2.56	2.62	2.69	2.75	2.81	2.88	2.94	3.04	3.11	3.15	-
		Sones	31.2	30.8	30.4	30.0	29.6	29.1	28.7	27.9	27.2	26.3	-
3	1350	CFM	8648	8490	8338	8182	8018	7834	7642	7256	6847	6371	-
		BHP	2.85	2.92	2.99	3.05	3.12	3.19	3.25	3.37	3.45	3.51	-
		Sones	33.0	32.6	32.2	31.8	31.4	30.9	30.5	29.7	28.9	28.2	-

Power Ratings (BHP) does not include transmission losses. Performance certified is for installation type A - free inlet, free outlet. Performance ratings do not include the effects of birdscreen in the airstream. The sound ratings shown are loudness values in fan sones @ 5' (1.5m) in a hemispherical free field calculated per AMCA Standard 301. Values shown are for: Installation Type A: free inlet hemispherical sone levels.



S&P USA Ventilation Systems, LLC., Div. of Soler & Palau Ventilation Group, certifies that the Models STXB shown herein are licensed to bear the AMCA Seal. The ratings shown are based on test and procedures performed in accordance with AMCA Publication 211 and AMCA Publication 311 and comply with the requirement of the AMCA Certified Ratings Program.



STANDARD 705 for Electrical
STANDARD 762 for Grease Removal



MODEL FEATURES

- Exhaust air up to 35,000 CFM in high static pressure applications up to 3-1/4" w.g.
- Attractive spun aluminum exterior
- Belt drives permit easy performance adjustments when needed
- Non-overloading backward inclined wheel for efficiency at higher static pressures
- Roof or sidewall mounting options
- AMCA Air and Sound Licensed
- cULus 705 or 762 Listed
- NFPA - suitable for National Fire Protection Association Installations


APPLICATION CONSTRUCTION OPTIONS

MODEL NAME	TYPICAL APPLICATIONS
TXB	Removal of clean or contaminated air in general applications
TXBRHUL	UL762 listed for grease removal
TXBHP	High Pressure version of TXB
TXBW	Wall mount version of TXB
TXBWRHUL	UL762 version of TXBW
TXBWHP	High Pressure version of TXBW
TXBWHPRHUL	UL762 High Pressure version of TXBW

MODEL OVERVIEW

Model TXB belt drive fans are designed to exhaust air up to 35,000 CFM in high static pressure applications to 3-1/4". The aluminum exterior provides an attractive appearance. Belt drive results in lower operating RPM and sound levels, making the Model TXB well suited to applications where quiet operation is important. Belt drive also permits easy performance adjustments when needed to balance the total ventilation system. The non-overloading backward inclined wheel with its higher static pressure capability makes this unit suitable for either ducted or nonducted applications. Its roof or sidewall mounting options permit location near the area to be ventilated, allowing short duct runs and more efficient operation.

Isolation of motor and drive components from the airstream and the high velocity vertical air discharge make the Model TXB ideally suited for the removal of dirty contaminated and/or high temperature air from processes and buildings. Typical applications include restaurant hoods and similar kitchen exhaust ventilation, fume and smoke removal, laboratory fume hood exhaust and chemical process exhaust. The TXB line of fans is available in a variety of construction options, see the chart above for the TXB that is right for your application.



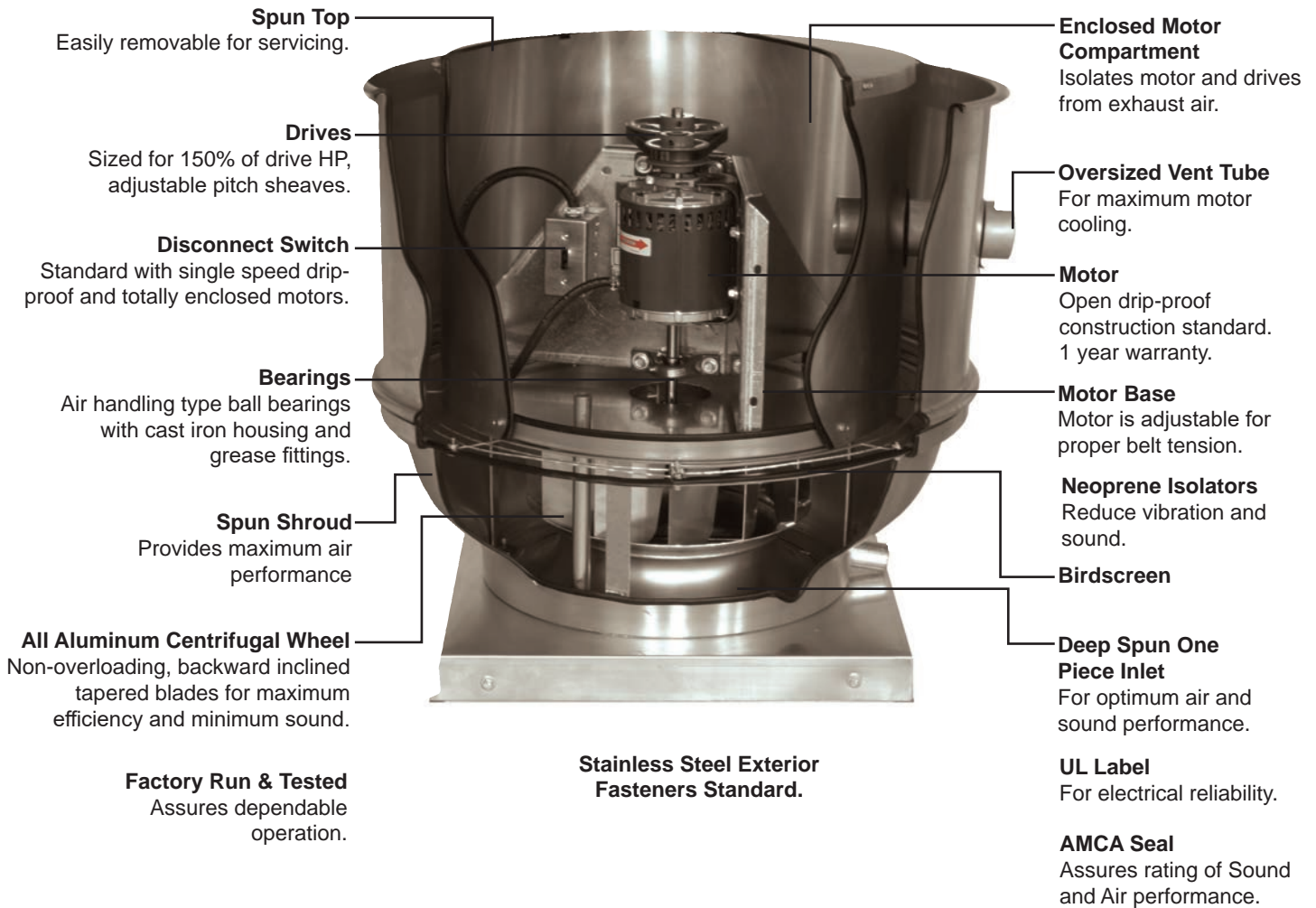
Model TXB-UL762 is available in our Quickship program. Sizes 24-36 are available for next day or 3-day shipping from stock.

Industry best 5 year fan housing warranty, 1 year motor warranty
TXBRHUL units have 2 year fan housing warranty



STANDARD CONSTRUCTION FEATURES AND OPTIONS

Model TXB



Industry best 5 year fan housing warranty, 1 year motor warranty



STANDARD CONSTRUCTION FEATURES AND OPTIONS

Model TXB-UL762 Restaurant Exhaust



2 year fan housing warranty, 1 year motor warranty



CONSTRUCTION/SPECIFICATION CHECKLIST

Housing

- Curb cap with integral deep single piece spun inlet for efficient performance and prevention of leakage into ductwork.
- Heavy-gauge aluminum housing and curb cap for strength and rigidity. Curb cap is galvanized steel on all UL 762 units.
- Adjustable motor base for proper belt tension and ease of adjustment.
- Enclosed ventilated motor/drive compartment isolates motor and drives from exhaust air.
- Neoprene isolators for reduction of vibration and sound.
- Quick-Release latches on motor cover for easy access to motor compartment.
- Water-tight conduit tube for easy electrical connection without having to wire through the breather tube.
- Birdscreen included on standard models (not included on UL762 units).

Centrifugal Wheel

- Backward inclined for efficiency at higher static pressure.
- Non-overloading for safe operation in ducted systems.
- Heavy aluminum hub for extra strength.
- Close running tolerance between inlet cone and wheel inlet for maximum efficiency.
- Statically and dynamically balanced for smooth quiet operation.

Motors

- Brands are nationally recognized and locally serviced.
- Single speed drip-proof motors are provided on standard models.
- Disconnect switch is standard with single speed open drip-proof and totally enclosed motors.
- Welded motor brackets designed for maximum strength.

Drives

- Sized for minimum 150% of drive horse power.
- Machined cast iron adjustable motor pulleys.
- Adjustable base for belt tensioning.
- Nonstatic oil resistant V-Belts.

Bearings

- 5 year bearing warranty.
- Heavy-duty ball bearing type.
- Prelubricated and permanently sealed.
- Sized for a minimum L50 life in excess of 200,000 hours.

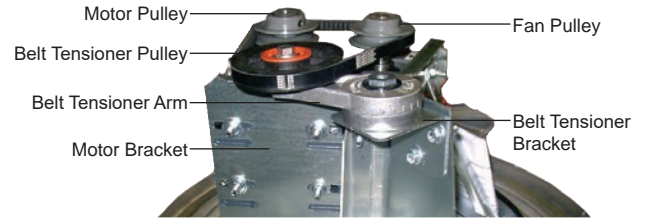
Certifications

- AMCA Air and Sound Licensed.
- cULus 705 Listed Power Roof Ventilator label assures electrical reliability.
- UL 762 Listed for Restaurant Exhaust Appliance available for applications where required.
- cULus 705 and UL 762 assure electrical reliability for Canadian use.
- cULus label must be specified when needed.
- NFPA - Model TXB is suitable for National Fire Protection Association installations. Contact factory for required accessories.

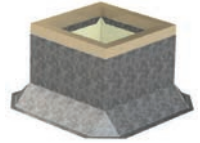


OPTIONS/ACCESSORIES

Automatic Belt Tensioner: Available on sizes 8-24, The Automatic Belt Tensioners eliminate the need for regular manual retensioning of drives, and the risk of inadvertently over-tensioning drive components is avoided and overall drive operating efficiency is enhanced. Benefits include reduction in startup and maintenance costs, increased belt life, increased drive efficiency, and ensure drive components do not snag obstructions.



Roof Curb: Prefabricated heavy-gauge galvanized steel, welded construction, 12" high (other heights are also available) with 1-1/2" wood nailer. Assures perfect fit of exhauster to roof opening. Options include burglar bars, single or double pitch construction and hinged curbs for easy duct access.



Common Curb: Designed to allow both the supply fan and exhaust fan to be mounted on the same curb. This curb requires only one roof opening and speeds installation time.

Motor Operated Damper: Motor operated aluminum damper for positive closure against backdraft. (Not for UL762 use).



Automatic Damper: Automatic aluminum damper for ease in installation and effective backdraft protection. (Not for UL762 use).

Grease Grabber or Aluminum Grease Trough: Trap designed for fast and inexpensive replacement. Grease collects in a container for safe and sanitary disposal. Keeps roof clean with proper use.

Wall Mount Kit: Kit allows 8-24" fans to be wall mounted. Assembled as standard on all TXDW units, not available for not wall mount units. See current submittal for details.

Special Coatings: Powered roof exhausters often require special coatings for protective and decorative purposes. Available coatings include: Synthetic Resin, Epoxy, and Heresite (air-dried phenolic). Contact your representative or the factory for more information on available coatings and colors.

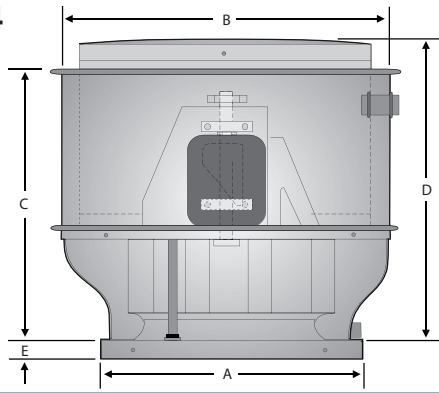
Curb Hinge Arrangement: The curb hinge arrangement provides easy access to the exhaust fan, backdraft damper, and duct for servicing and cleaning.



MODEL TXB
BELT DRIVE CENTRIFUGAL UPBLAST ROOF EXHAUSTER



SIZE 24



Dimensions (in.)				
A	B	C	D	E
35-1/2	47-1/4	31-1/2	42	2-1/2

Dimensional Data				Metal Thickness			Avg. Ship Wt. (lbs.)
Damper		Roof Opening	Curb OD	Curb Cap	Wind Band	Motor Cover	
ID	OD						
30	30	30-3/4	33-3/4	.10	.050	.050	245

CFM / BHP @ Static Pressure / Sones														RPM	HP	Tip Speed
0	1/8	1/4	3/8	1/2	5/8	3/4	1	1-1/4	1-1/2	1-3/4	2	Catalog Number				
3681	3200	2377	-	-	-	-	-	-	-	-	-	TXB-24251	400	1/4	2566	
0.15/7.3	0.17/6.0	0.17/4.6	-	-	-	-	-	-	-	-	-	-	-	-	-	
4141	3728	3170	-	-	-	-	-	-	-	-	-	TXB-24252	450	1/4	2886	
0.22/9.1	0.24/7.8	0.25/6.4	-	-	-	-	-	-	-	-	-	-	-	-	-	
4371	3985	3490	2537	-	-	-	-	-	-	-	-	TXB-24331	475	1/3	3047	
0.26/9.8	0.29/8.5	0.29/7.3	0.27/6.0	-	-	-	-	-	-	-	-	-	-	-	-	
4555	4188	3731	3018	-	-	-	-	-	-	-	-	TXB-24332	495	1/3	3175	
0.29/10.3	0.32/9.2	0.33/8.0	0.33/6.8	-	-	-	-	-	-	-	-	-	-	-	-	
4601	4238	3789	3114	-	-	-	-	-	-	-	-	TXB-24501	500	1/2	3207	
0.30/10.4	0.33/9.3	0.34/8.2	0.34/6.9	-	-	-	-	-	-	-	-	-	-	-	-	
4831	4488	4077	3516	2235	-	-	-	-	-	-	-	TXB-24502	525	1/2	3367	
0.35/11.1	0.38/10.0	0.40/9.0	0.40/7.8	0.34/6.8	-	-	-	-	-	-	-	-	-	-	-	
5015	4687	4300	3800	2825	-	-	-	-	-	-	-	TXB-24503	545	1/2	3496	
0.39/11.6	0.42/10.6	0.44/9.7	0.44/8.5	0.41/7.6	-	-	-	-	-	-	-	-	-	-	-	
5199	4884	4519	4063	3346	-	-	-	-	-	-	-	TXB-24504	565	1/2	3624	
0.44/12.2	0.47/11.2	0.49/10.3	0.50/9.2	0.48/8.3	-	-	-	-	-	-	-	-	-	-	-	
5291	4982	4626	4190	3552	1261	-	-	-	-	-	-	TXB-24751	575	3/4	3688	
0.46/12.6	0.49/11.5	0.52/10.6	0.52/9.5	0.52/8.6	0.28/7.8	-	-	-	-	-	-	-	-	-	-	
5705	5421	5103	4730	4259	3462	-	-	-	-	-	-	TXB-24752	620	3/4	3977	
0.58/14.3	0.61/13.3	0.64/12.4	0.65/11.4	0.66/10.4	0.62/9.5	-	-	-	-	-	-	-	-	-	-	
5935	5663	5362	5016	4596	4012	2813	-	-	-	-	-	TXB-24753	645	3/4	4137	
0.65/15.4	0.69/14.3	0.72/13.4	0.73/12.6	0.74/11.4	0.73/10.5	0.63/9.6	-	-	-	-	-	-	-	-	-	
5981	5712	5413	5072	4661	4099	2979	-	-	-	-	-	TXB-24754	650	3/4	4169	
0.66/15.6	0.70/14.5	0.73/13.6	0.75/12.8	0.75/11.6	0.75/10.7	0.66/9.8	-	-	-	-	-	-	-	-	-	
6212	5953	5669	5349	4975	4498	3680	-	-	-	-	-	TXB-24101	675	1	4329	
0.74/16.6	0.79/15.6	0.82/14.7	0.84/13.7	0.84/12.8	0.84/11.8	0.79/10.8	-	-	-	-	-	-	-	-	-	
6396	6145	5871	5567	5216	4787	4163	-	-	-	-	-	TXB-24102	695	1	4458	
0.81/17.4	0.86/16.5	0.89/15.6	0.91/14.7	0.92/13.6	0.92/12.6	0.90/11.7	-	-	-	-	-	-	-	-	-	
6580	6336	6073	5782	5451	5058	4541	-	-	-	-	-	TXB-24103	715	1	4586	
0.88/18.4	0.93/17.3	0.97/16.4	0.99/15.6	1.00/14.6	1.00/13.5	1.00/12.6	-	-	-	-	-	-	-	-	-	
6626	6384	6123	5835	5509	5124	4623	-	-	-	-	-	TXB-24104	720	1	4618	
0.90/18.6	0.95/17.6	0.98/16.6	1.01/15.8	1.02/14.8	1.03/13.7	1.02/12.8	-	-	-	-	-	-	-	-	-	
6856	6623	6373	6099	5794	5442	5011	3256	-	-	-	-	TXB-24151	745	1-1/2	4778	
1.00/19.8	1.05/18.8	1.09/17.8	1.11/16.9	1.13/16.0	1.13/14.9	1.14/13.9	0.97/12.2	-	-	-	-	-	-	-	-	
7178	6956	6720	6464	6183	5867	5498	4265	-	-	-	-	TXB-24152	780	1-1/2	5003	
1.15/21	1.120/20	1.24/19.5	1.27/18.6	1.29/17.7	1.30/16.7	1.30/15.6	1.22/13.8	-	-	-	-	-	-	-	-	
7362	7146	6917	6670	6401	6102	5759	4754	-	-	-	-	TXB-24153	800	1-1/2	5131	
1.24/23	1.29/21	1.33/21	1.37/19.6	1.39/18.7	1.40/17.7	1.41/16.6	1.37/14.7	-	-	-	-	-	-	-	-	
7546	7336	7113	6874	6616	6332	6010	5146	2245	-	-	-	TXB-24154	820	1-1/2	5259	
1.33/24	1.39/23	1.43/22	1.47/21	1.49/19.7	1.15/18.7	1.51/17.6	1.50/15.7	0.93/14.0	-	-	-	-	-	-	-	
7730	7525	7309	7078	6829	6557	6254	5477	3873	-	-	-	TXB-24201	840	2	5388	
1.43/25	1.49/24	1.54/23	1.57/22	1.60/21	1.62/19.8	1.63/18.7	1.62/16.7	1.43/15.0	-	-	-	-	-	-	-	
7960	7761	7552	7330	7092	6835	6552	5854	4566	-	-	-	TXB-24202	865	2	5548	
1.56/26	1.62/25	1.67/24	1.71/23	1.74/22	1.76/21	1.77/20	1.78/18	1.63/16.2	-	-	-	-	-	-	-	
8098	7903	7698	7481	7249	6999	6726	6067	4977	-	-	-	TXB-24203	880	2	5644	
1.65/27	1.71/26	1.76/25	1.80/24	1.83/23	1.85/22	1.87/21	1.87/18.8	1.78/17.0	-	-	-	-	-	-	-	
8282	8091	7892	7681	7457	7216	6956	6339	5433	-	-	-	TXB-24204	900	2	5773	
1.76/28	1.82/27	1.87/26	1.92/24	1.95/23	1.98/23	1.99/22	2.00/19.8	1.96/18.0	-	-	-	-	-	-	-	
8742	8562	8374	8178	7970	7750	7514	6979	6292	5073	-	-	TXB-24301	950	3	6093	
2.07/30	2.14/29	2.19/28	2.24/27	2.28/26	2.31/25	2.33/24	2.35/22	2.35/20	2.18/18.8	-	-	-	-	-	-	
9432	9266	9093	8914	8727	8531	8324	7869	7334	6649	5447	-	TXB-24302	1025	3	6574	
2.60/32	2.67/32	2.74/31	2.79/30	2.84/29	2.88/28	2.91/28	2.95/26	2.96/24	2.95/23	2.73/21	-	-	-	-	-	

Power Ratings (BHP) does not include transmission losses. Performance certified is for installation type A - free inlet, free outlet. Performance ratings do not include the effects of birdscreen in the airstream. The sound ratings shown are loudness values in fan sones @ 5' (1.5m) in a hemispherical free field calculated per AMCA Standard 301. Values shown are for: Installation Type A: free inlet hemispherical sone levels.



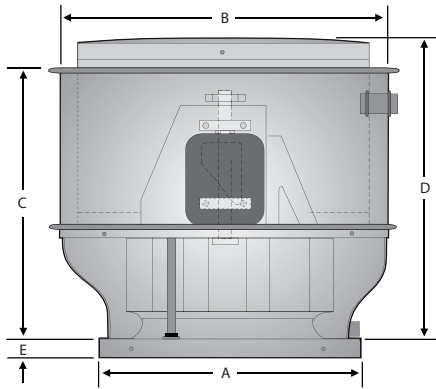
S&P USA Ventilation Systems, LLC., Div. of Soler & Palau Ventilation Group, certifies that the Models TXB shown herein are licensed to bear the AMCA Seal. The ratings shown are based on test and procedures performed in accordance with AMCA Publication 211 and AMCA Publication 311 and comply with the requirement of the AMCA Certified Ratings Program.



UL STANDARD 705 for Electrical
UL STANDARD 762 for Grease Removal



SIZE 24 - HIGH PRESSURE



Dimensions (in.)				
A	B	C	D	E
35-1/2	47-1/4	31-1/2	42	2-1/2

Dimensional Data				Metal Thickness			Avg. Ship Wt. (lbs.)
Damper		Roof Opening	Curb OD	Curb Cap	Wind Band	Motor Cover	
ID	OD						
30	30	30-3/4	33-3/4	.10	.050	.050	245

CFM / BHP @ Static Pressure / Sones													RPM	HP	Tip Speed
1/2	5/8	3/4	1	1-1/4	1-1/2	1-3/4	2	2-1/4	2-1/2	2-3/4	3	Catalog Number			
2597 0.38/7.7	1496 0.31/7.5	-	-	-	-	-	-	-	-	-	-	TXBHP-24501	580	1/2	3720
3129 0.47/9.0	2441 0.45/8.4	-	-	-	-	-	-	-	-	-	-	TXBHP-24503	620	1/2	3977
3364 0.52/9.7	2775 0.5/9.0	1785 0.44/8.9	-	-	-	-	-	-	-	-	-	TXBHP-24504	640	1/2	4105
3639 0.58/10.7	3137 0.57/10.0	2399 0.54/9.6	-	-	-	-	-	-	-	-	-	TXBHP-24751	665	3/4	4265
3848 0.63/11.5	3397 0.63/10.7	2777 0.61/10.1	-	-	-	-	-	-	-	-	-	TXBHP-24752	685	3/4	4394
4294 0.76/13.3	3922 0.77/12.6	3457 0.76/12.0	1766 0.61/11.5	-	-	-	-	-	-	-	-	TXBHP-24754	730	3/4	4682
4483 0.82/14.0	4138 0.83/13.5	3717 0.83/12.8	2362 0.73/12.1	-	-	-	-	-	-	-	-	TXBHP-24101	750	1	4810
4668 0.88/14.8	4345 0.9/14.3	3959 0.9/13.6	2814 0.84/12.7	-	-	-	-	-	-	-	-	TXBHP-24102	770	1	4939
4850 0.95/15.7	4546 0.96/15.2	4189 0.97/14.5	3190 0.93/13.3	439 0.43/13.3	-	-	-	-	-	-	-	TXBHP-24103	790	1	5067
5028 1.02/16.5	4741 1.04/16.0	4409 1.05/15.5	3518 1.02/14.1	1738 0.79/13.9	-	-	-	-	-	-	-	TXBHP-24104	810	1	5195
5291 1.13/17.7	5026 1.15/17.3	4724 1.16/16.9	3952 1.16/15.5	2678 1.04/15.0	-	-	-	-	-	-	-	TXBHP-24151	840	1-1/2	5388
5550 1.25/19.0	5302 1.27/18.5	5025 1.29/18.1	4341 1.29/16.9	3325 1.22/16.0	948 0.73/16.0	-	-	-	-	-	-	TXBHP-24152	870	1-1/2	5580
5762 1.35/20	5527 1.38/19.6	5267 1.4/19.2	4641 1.41/18.1	3764 1.37/16.9	2197 1.13/16.8	-	-	-	-	-	-	TXBHP-24153	895	1-1/2	5740
6013 1.49/22	5793 1.51/21	5550 1.53/21	4979 1.56/19.6	4221 1.54/18.4	3051 1.4/17.9	-	-	-	-	-	-	TXBHP-24154	925	1-1/2	5933
6221 1.6/23	6010 1.63/22	5780 1.66/22	5248 1.68/21	4564 1.68/19.6	3585 1.59/18.8	1671 1.17/18.8	-	-	-	-	-	TXBHP-24201	950	2	6093
6426 1.73/24	6224 1.76/23	6006 1.78/23	5506 1.82/22	4882 1.82/21	4034 1.76/19.7	2646 1.52/19.7	-	-	-	-	-	TXBHP-24202	975	2	6254
6589 1.83/25	6394 1.86/24	6184 1.89/24	5708 1.93/23	5122 1.94/22	4354 1.9/21	3196 1.73/20	-	-	-	-	-	TXBHP-24203	995	2	6382
6792 1.97/26	6605 2/25	6404 2.03/25	5953 2.07/24	5410 2.09/23	4719 2.06/22	3751 1.95/21	2000 1.52/21	-	-	-	-	TXBHP-24204	1020	2	6542
7353 2.38/28	7184 2.41/28	7005 2.45/28	6611 2.5/27	6156 2.54/26	5612 2.55/25	4930 2.51/24	4001 2.38/23	2463 1.97/23	-	-	-	TXBHP-24301	1090	3	6991
7945 2.88/32	7792 2.92/32	7631 2.96/31	7283 3.02/31	6891 3.08/30	6443 3.11/29	5915 3.11/28	5267 3.06/26	4419 2.93/26	3152 2.59/26	-	-	TXBHP-24302	1165	3	7472
8764 3.7/36	8628 3.74/36	8486 3.79/36	8185 3.87/36	7855 3.93/35	7490 3.99/34	7081 4.02/33	6612 4.03/32	6063 4/31	5393 3.92/30	4524 3.72/30	3253 3.28/30	TXBHP-245001	1270	5	8146
9611 4.71/42	9489 4.76/42	9362 4.81/42	9097 4.9/42	8812 4.98/41	8505 5.05/40	8169 5.11/39	7799 5.15/38	7386 5.17/37	6918 5.16/36	6375 5.11/35	5724 5/34	TXBHP-245002	1380	5	8851

Power Ratings (BHP) does not include transmission losses. Performance certified is for installation type A - free inlet, free outlet. Performance ratings do not include the effects of birdscreen in the airstream. The sound ratings shown are loudness values in fan sones @ 5' (1.5m) in a hemispherical free field calculated per AMCA Standard 301. Values shown are for: Installation Type A: free inlet hemispherical sone levels.



S&P USA Ventilation Systems, LLC., Div. of Soler & Palau Ventilation Group, certifies that the Models TXB shown herein are licensed to bear the AMCA Seal. The ratings shown are based on test and procedures performed in accordance with AMCA Publication 211 and AMCA Publication 311 and comply with the requirement of the AMCA Certified Ratings Program.



UL STANDARD 705 for Electrical
UL STANDARD 762 for Grease Removal

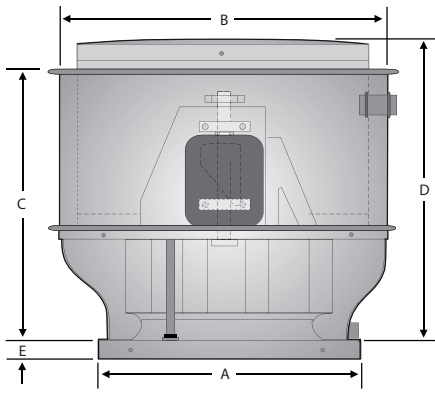


MODEL TXB

BELT DRIVE CENTRIFUGAL UPBLAST ROOF EXHAUSTER



SIZE 30



Dimensions (in.)				
A	B	C	D	E
42-1/2	56-3/4	41	45	2-1/2

Dimensional Data				Metal Thickness			Avg. Ship Wt. (lbs.)
Damper		Roof Opening	Curb OD	Curb Cap	Wind Band	Motor Cover	
ID	OD						
36	36	37-3/4	40-3/4	.090	.050	.050	365

CFM / BHP @ Static Pressure / Sones													RPM	HP	Tip Speed
1/8	1/4	3/8	1/2	5/8	3/4	1	1-1/4	1-1/2	1-3/4	2	2-1/4	Catalog Number			
3739 0.17/3.7	-	-	-	-	-	-	-	-	-	-	-	TXB-30331	280	1/3	2236
4540 0.24/5.1	-	-	-	-	-	-	-	-	-	-	-	TXB-30332	315	1/3	2515
5380 0.34/6.3	4233 0.33/5.4	-	-	-	-	-	-	-	-	-	-	TXB-30333	355	1/3	2835
5682 0.39/6.8	4634 0.38/6.0	-	-	-	-	-	-	-	-	-	-	TXB-30501	370	1/2	2954
5980 0.44/7.2	5018 0.44/6.6	3711 0.40/5.9	-	-	-	-	-	-	-	-	-	TXB-30502	385	1/2	3074
6372 0.51/7.9	5504 0.51/7.4	4303 0.48/6.6	-	-	-	-	-	-	-	-	-	TXB-30503	405	1/2	3234
6759 0.58/8.6	5966 0.59/8.3	4909 0.57/7.4	1661 0.32/6.9	-	-	-	-	-	-	-	-	TXB-30751	425	3/4	3394
7141 0.67/9.4	6410 0.68/9.2	5459 0.67/8.2	4303 0.62/7.7	-	-	-	-	-	-	-	-	TXB-30752	445	3/4	3553
7520 0.76/10.1	6840 0.78/10.0	5981 0.77/9.2	4883 0.73/8.5	-	-	-	-	-	-	-	-	TXB-30753	465	3/4	3713
7801 0.83/10.8	7155 0.86/10.6	6355 0.85/9.9	5353 0.82/9.2	2646 0.58/8.6	-	-	-	-	-	-	-	TXB-30101	480	1	3833
8081 0.91/11.4	7464 0.94/11.2	6717 0.94/10.6	5790 0.91/9.8	4704 0.85/9.3	-	-	-	-	-	-	-	TXB-30102	495	1	3952
8360 1.00/12.1	7770 1.02/11.9	7067 1.03/11.4	6201 1.00/10.5	5206 0.96/10.0	-	-	-	-	-	-	-	TXB-30103	510	1	4072
8822 1.15/13.2	8270 1.18/13.0	7631 1.19/12.8	6857 1.17/11.9	5935 1.13/11.1	4783 1.05/10.6	-	-	-	-	-	-	TXB-30151	535	1-1/2	4272
9280 1.31/14.4	8761 1.35/14.3	8175 1.37/14.1	7478 1.36/13.2	6656 1.32/12.4	5736 1.27/11.9	-	-	-	-	-	-	TXB-30152	560	1-1/2	4471
9736 1.49/15.6	9249 1.53/15.5	8703 1.55/15.3	8071 1.56/14.7	7326 1.53/13.8	6469 1.48/13.2	-	-	-	-	-	-	TXB-30153	585	1-1/2	4671
10099 1.65/16.6	9634 1.69/16.4	9116 1.72/16.2	8527 1.72/15.8	7840 1.70/15.0	7056 1.66/14.3	2909 1.05/13.2	-	-	-	-	-	TXB-30201	605	2	4831
10552 1.86/17.8	10112 1.90/17.6	9624 1.93/17.4	9080 1.95/17.2	8455 1.94/16.4	7738 1.90/15.6	6112 1.77/14.6	-	-	-	-	-	TXB-30202	630	2	5030
10912 2.04/18.6	10491 2.09/18.4	10024 2.12/18.2	9511 2.14/18.1	8929 2.13/17.4	8264 2.11/16.6	6702 1.99/15.5	-	-	-	-	-	TXB-30203	650	2	5190
11362 2.28/19.5	10961 2.33/19.4	10518 2.37/19.2	10039 2.39/19.1	9502 2.39/18.7	8894 2.38/18.0	7455 2.28/16.7	3010 1.40/15.8	-	-	-	-	TXB-30301	675	3	5390
11899 2.59/20	11521 2.64/20	11105 2.69/20	10658 2.72/20	10166 2.73/20	9616 2.72/19.5	8327 2.64/18.2	6858 2.49/17.3	-	-	-	-	TXB-30302	705	3	5629
12436 2.93/22	12077 2.99/22	11685 3.04/21	11265 3.07/21	10810 3.09/21	10309 3.09/21	9136 3.03/19	7713 2.90/18	2786 1.65/17	-	-	-	TXB-30303	735	3	5869
13237 3.50/24	12905 3.56/24	12544 3.61/23	12156 3.66/23	11748 3.69/23	11303 3.70/23	10284 3.67/22	9079 3.57/20	7781 3.40/20	-	-	-	TXB-305001	780	5	6228
14125 4.20/26	13818 4.27/26	13487 4.33/26	13132 4.38/26	12759 4.42/26	12364 4.45/25	11476 4.45/25	10431 4.38/23	9230 4.25/22	7946 4.04/21	-	-	TXB-305002	830	5	6627
14922 4.92/29	14634 4.99/28	14325 5.06/28	13997 5.11/28	13649 5.16/28	13288 5.20/28	12491 5.22/27	11570 5.19/26	10516 5.08/25	9300 4.91/24	7889 4.63/23	-	TXB-305003	875	5	6987
16070 6.09/32	15806 6.16/32	15525 6.24/32	15228 6.30/32	14914 6.36/32	14588 6.41/31	13891 6.47/31	13106 6.47/30	12215 6.41/29	11219 6.29/28	10088 6.11/27	8961 5.86/26	TXB-307501	940	7-1/2	7506
17128 7.32/36	16882 7.40/36	16622 7.48/36	16349 7.56/35	16062 7.62/35	15762 7.68/35	15133 7.76/35	14441 7.80/34	13669 7.78/33	12806 7.70/32	11859 7.56/31	10795 7.37/30	TXB-307502	1000	7-1/2	7985

Power Ratings (BHP) does not include transmission losses. Performance certified is for installation type A - free inlet, free outlet. Performance ratings do not include the effects of birdscreen in the airstream. The sound ratings shown are loudness values in fan sones @ 5' (1.5m) in a hemispherical free field calculated per AMCA Standard 301. Values shown are for: Installation Type A: free inlet hemispherical sone levels.



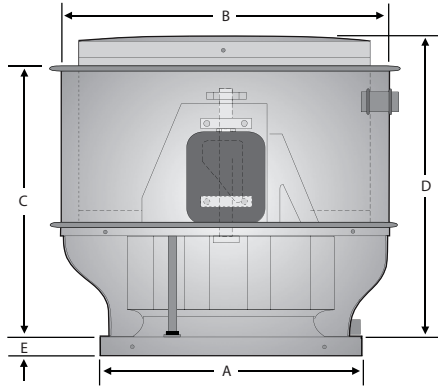
S&P USA Ventilation Systems, LLC., Div. of Soler & Palau Ventilation Group, certifies that the Models TXB shown herein are licensed to bear the AMCA Seal. The ratings shown are based on test and procedures performed in accordance with AMCA Publication 211 and AMCA Publication 311 and comply with the requirement of the AMCA Certified Ratings Program.



UL STANDARD 705 for Electrical
UL STANDARD 762 for Grease Removal



SIZE 30 - HIGH PRESSURE



Dimensions (in.)				
A	B	C	D	E
42-1/2	56-3/4	41	45	2-1/2

Dimensional Data				Metal Thickness			Avg. Ship Wt. (lbs.)
Damper		Roof Opening	Curb OD	Curb Cap	Wind Band	Motor Cover	
ID	OD						
36	36	37-3/4	40-3/4	.090	.050	.050	365

CFM / BHP @ Static Pressure / Sones													Catalog Number	RPM	HP	Tip Speed
1/4	3/8	1/2	5/8	3/4	1	1-1/4	1-1/2	1-3/4	2	2-1/4	2-1/2					
3361 0.24/4.1	-	-	-	-	-	-	-	-	-	-	-	-	TXBHP-30332	345	1/3	2755
4404 0.35/5.4	-	-	-	-	-	-	-	-	-	-	-	-	TXBHP-30333	385	1/3	3074
4884 0.41/6.1	3604 0.38/5.5	-	-	-	-	-	-	-	-	-	-	-	TXBHP-30501	405	1/2	3234
5221 0.46/6.6	4046 0.44/6.0	-	-	-	-	-	-	-	-	-	-	-	TXBHP-30502	420	1/2	3354
5632 0.52/7.3	4589 0.52/6.7	-	-	-	-	-	-	-	-	-	-	-	TXBHP-30503	440	1/2	3513
6022 0.60/7.9	5104 0.60/7.3	3922 0.56/6.9	-	-	-	-	-	-	-	-	-	-	TXBHP-30751	460	3/4	3673
6396 0.67/8.6	5601 0.69/8.0	4529 0.65/7.6	-	-	-	-	-	-	-	-	-	-	TXBHP-30752	480	3/4	3833
6758 0.76/9.3	6073 0.78/8.7	5085 0.76/8.2	3910 0.70/7.9	-	-	-	-	-	-	-	-	-	TXBHP-30753	500	3/4	3992
7112 0.85/10.1	6512 0.87/9.5	5608 0.86/9.0	4565 0.82/8.6	-	-	-	-	-	-	-	-	-	TXBHP-30101	520	1	4152
7373 0.92/10.7	6820 0.95/10.0	5992 0.95/9.5	5016 0.91/9.2	4165 0.86/8.9	-	-	-	-	-	-	-	-	TXBHP-30102	535	1	4272
7717 1.02/11.5	7214 1.05/10.8	6486 1.06/10.3	5577 1.03/9.9	4530 0.97/9.6	-	-	-	-	-	-	-	-	TXBHP-30103	555	1	4432
8152 1.16/12.6	7687 1.19/11.9	7073 1.22/11.3	6235 1.20/10.9	5316 1.15/10.6	-	-	-	-	-	-	-	-	TXBHP-30151	580	1-1/2	4631
8582 1.31/13.7	8145 1.35/13.0	7615 1.38/12.4	6871 1.37/11.8	6028 1.34/11.5	-	-	-	-	-	-	-	-	TXBHP-30152	605	1-1/2	4831
9007 1.47/14.8	8590 1.51/14.1	8119 1.55/13.5	7479 1.56/12.9	6692 1.53/12.6	4862 1.40/12.0	-	-	-	-	-	-	-	TXBHP-30153	630	1-1/2	5030
9429 1.64/15.7	9026 1.69/15.1	8601 1.73/14.5	8056 1.75/13.9	7332 1.74/13.6	5688 1.63/13.1	-	-	-	-	-	-	-	TXBHP-30201	655	2	5230
9764 1.79/16.5	9370 1.84/15.9	8974 1.88/15.3	8484 1.91/14.7	7829 1.92/14.4	6294 1.82/13.9	-	-	-	-	-	-	-	TXBHP-30202	675	2	5390
10180 1.99/17.6	9805 2.04/17.0	9430 2.09/16.3	8991 2.13/15.8	8424 2.14/15.4	6999 2.07/14.9	-	-	-	-	-	-	-	TXBHP-30203	700	2	5589
10759 2.29/19.2	10408 2.35/18.6	10051 2.40/18.0	9667 2.44/17.5	9202 2.48/16.9	7921 2.44/16.4	6443 2.31/16.0	-	-	-	-	-	-	TXBHP-30301	735	3	5869
11252 2.57/20	10920 2.63/19.9	10572 2.69/19.3	10223 2.74/18.8	9813 2.78/18.3	8684 2.78/17.6	7335 2.68/17.2	-	-	-	-	-	-	TXBHP-30302	765	3	6108
11823 2.93/22	11511 3.00/21	11177 3.06/20	10854 3.11/20	10492 3.15/19.8	9533 3.20/19.1	8292 3.12/18.6	6897 2.97/18.2	-	-	-	-	-	TXBHP-30303	800	3	6388
12634 3.50/24	12347 3.57/23	12041 3.63/23	11729 3.69/22	11417 3.75/22	10652 3.83/21	9577 3.81/20	8371 3.70/20	6994 3.51/19	-	-	-	-	TXBHP-305001	850	5	6787
13360 4.07/26	13091 4.14/25	12807 4.21/25	12507 4.28/24	12219 4.34/24	11561 4.44/23	10672 4.48/22	9568 4.41/22	8386 4.26/21	-	-	-	-	TXBHP-305002	895	5	7146
14163 4.77/28	13912 4.85/28	13648 4.93/27	13371 5.00/27	13087 5.07/26	12514 5.18/25	11798 5.27/24	10836 5.26/24	9769 5.15/24	8617 4.98/23	7293 4.74/23	-	-	TXBHP-305003	945	5	7546
15281 5.88/32	15052 5.97/31	14812 6.06/31	14561 6.14/30	14299 6.22/30	13783 6.35/29	13205 6.46/28	12487 6.54/27	11563 6.51/27	10569 6.39/26	9514 6.22/26	8328 5.98/26	-	TXBHP-307501	1015	7-1/2	8104
16315 7.06/35	16103 7.16/35	15881 7.25/34	15651 7.34/34	15411 7.42/33	14919 7.58/32	14424 7.71/31	13840 7.82/30	13116 7.88/30	12235 7.84/29	11300 7.71/29	10319 7.53/29	-	TXBHP-307502	1080	7-1/2	8623

Power Ratings (BHP) does not include transmission losses.
Performance certified is for installation type A - free inlet, free outlet.
Performance ratings do not include the effects of birdscreen in the airstream.
The sound ratings shown are loudness values in fan sones @ 5' (1.5m) in a hemispherical free field calculated per AMCA Standard 301. Values shown are for: Installation Type A: free inlet hemispherical sone levels.



S&P USA Ventilation Systems, LLC., Div. of Soler & Palau Ventilation Group, certifies that the Models TXB shown herein are licensed to bear the AMCA Seal. The ratings shown are based on test and procedures performed in accordance with AMCA Publication 211 and AMCA Publication 311 and comply with the requirement of the AMCA Certified Ratings Program.



UL STANDARD 705 for Electrical UL STANDARD 762 for Grease Removal

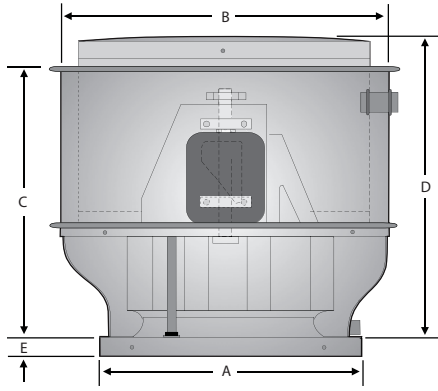


MODEL TXB

BELT DRIVE CENTRIFUGAL UPBLAST ROOF EXHAUSTER



SIZE 36



Dimensions (in.)				
A	B	C	D	E
42-1/2	66	44	48	2-1/2

Dimensional Data				Metal Thickness			Avg. Ship Wt. (lbs.)
Damper		Roof Opening	Curb OD	Curb Cap	Wind Band	Motor Cover	
ID	OD						
36	36	37-3/4	40-3/4	.090	.050	.050	365

CFM / BHP @ Static Pressure / Sones													RPM	HP	Tip Speed
0	1/8	1/4	3/8	1/2	5/8	3/4	1	1-1/4	1-1/2	1-3/4	2	Catalog Number			
7797	6629	4391	-	-	-	-	-	-	-	-	-	TXB-36501	270	1/2	2523
0.30/5.3	0.33/4.9	0.31/4.3	-	-	-	-	-	-	-	-	-	-	-	-	-
8953	8009	6496	3165	-	-	-	-	-	-	-	-	TXB-36502	310	1/2	2896
0.45/6.8	0.49/6.4	0.50/6.0	0.35/4.4	-	-	-	-	-	-	-	-	-	-	-	-
9386	8503	7139	5105	-	-	-	-	-	-	-	-	TXB-36751	325	3/4	3036
0.52/7.3	0.56/6.9	0.57/6.6	0.53/5.6	-	-	-	-	-	-	-	-	-	-	-	-
9819	8988	7771	5791	-	-	-	-	-	-	-	-	TXB-36852	340	3/4	3177
0.60/7.9	0.64/7.5	0.66/7.2	0.62/6.8	-	-	-	-	-	-	-	-	-	-	-	-
10252	9468	8369	6717	-	-	-	-	-	-	-	-	TXB-36753	355	3/4	3317
0.68/8.5	0.72/8.1	0.75/7.7	0.73/7.4	-	-	-	-	-	-	-	-	-	-	-	-
10685	9942	8940	7521	5459	-	-	-	-	-	-	-	TXB-36101	370	1	3457
0.77/9.1	0.81/8.7	0.85/8.3	0.84/8.0	0.76/6.8	-	-	-	-	-	-	-	-	-	-	-
10974	10255	9308	7971	6124	-	-	-	-	-	-	-	TXB-36102	380	1	3550
0.83/9.5	0.88/9.1	0.92/8.7	0.91/8.4	0.85/7.7	-	-	-	-	-	-	-	-	-	-	-
11407	10722	9844	8611	6793	-	-	-	-	-	-	-	TXB-36103	395	1	3690
0.93/10.2	0.98/9.8	1.02/9.4	1.03/9.0	0.97/8.7	-	-	-	-	-	-	-	-	-	-	-
11985	11339	10537	9459	8086	6251	-	-	-	-	-	-	TXB-36151	415	1-1/2	3877
1.08/11.0	1.14/10.6	1.18/10.3	1.20/9.9	1.17/9.6	1.08/8.4	-	-	-	-	-	-	-	-	-	-
12418	11799	11045	10063	8812	7081	-	-	-	-	-	-	TXB-36152	430	1-1/2	4017
1.21/11.8	1.26/11.3	1.31/10.9	1.33/10.6	1.32/10.3	1.24/9.7	-	-	-	-	-	-	-	-	-	-
12996	12410	11710	10832	9685	8075	6094	-	-	-	-	-	TXB-36153	450	1-1/2	4204
1.34/12.7	1.44/12.4	1.49/12.0	1.53/11.5	1.52/11.2	1.46/10.9	1.32/9.5	-	-	-	-	-	-	-	-	-
13285	12713	12037	11203	10113	8792	7239	-	-	-	-	-	TXB-36201	460	2	4298
1.48/13.2	1.53/12.8	1.59/12.5	1.63/12.1	1.63/11.7	1.59/11.4	1.50/10.3	-	-	-	-	-	-	-	-	-
13573	13016	12362	11566	10540	9344	7711	-	-	-	-	-	TXB-36202	470	2	4391
1.50/13.7	1.63/13.3	1.69/12.9	1.73/12.7	1.74/12.2	1.71/11.9	1.62/11.4	-	-	-	-	-	-	-	-	-
13862	13318	12685	11923	10955	9817	8152	-	-	-	-	-	TXB-36203	480	2	4484
1.68/14.2	1.74/13.8	1.79/13.4	1.84/13.0	1.86/12.8	1.83/12.4	1.74/12.2	-	-	-	-	-	-	-	-	-
14295	13770	13165	12449	11560	10483	8988	-	-	-	-	-	TXB-36204	495	2	4625
1.84/15.0	1.90/14.6	1.96/14.2	2.01/13.8	2.04/13.5	2.02/13.3	1.95/13.0	-	-	-	-	-	-	-	-	-
14873	14371	13799	13135	12334	11337	10243	-	-	-	-	-	TXB-36301	515	3	4811
2.07/15.9	2.14/15.6	2.20/15.2	2.25/14.8	2.29/14.5	2.29/14.2	2.25/14.0	-	-	-	-	-	-	-	-	-
15306	14819	14271	13640	12894	11973	10944	8299	-	-	-	-	TXB-36302	530	3	4952
2.26/16.6	2.32/16.3	2.39/16.0	2.45/15.6	2.49/15.3	2.50/15.1	2.47/14.8	2.29/13.4	-	-	-	-	-	-	-	-
15884	15416	14895	14304	13617	12788	11814	9226	-	-	-	-	TXB-36303	550	3	5138
2.52/17.7	2.59/17.3	2.66/16.9	2.72/16.6	2.77/16.4	2.79/16.2	2.78/16.0	2.61/15.5	-	-	-	-	-	-	-	-
16317	15863	15361	14795	14146	13377	12455	9936	-	-	-	-	TXB-36304	565	3	5279
2.74/18.5	2.81/18.1	2.87/17.7	2.94/17.4	2.99/17.2	3.03/17	3.02/16.8	2.87/16.3	-	-	-	-	-	-	-	-
16894	16458	15978	15443	14837	14135	13299	11336	8629	-	-	-	TXB-365001	585	5	5465
3.04/19.5	3.11/19.1	3.18/18.8	3.25/18.5	3.31/18.3	3.35/18.1	3.36/17.8	3.28/17.4	3.01/15.6	-	-	-	-	-	-	-
17472	17052	16592	16085	15516	14868	14109	12318	9875	-	-	-	TXB-365002	605	5	5652
3.36/21	3.43/20	3.51/20	3.58/20	3.64/19.0	3.69/19.0	3.72/19.0	3.67/19.0	3.45/18.0	-	-	-	-	-	-	-
18194	17792	17356	16877	16349	15756	15078	13425	11005	-	-	-	TXB-365003	630	5	5886
3.79/22	3.87/22	3.95/21	4.02/21	4.09/21	4.15/21	4.19/20	4.17/20	3.97/19.0	-	-	-	-	-	-	-
18772	18382	17963	17507	17006	16450	15824	14278	12396	10209	-	-	TXB-365004	650	5	6073
4.17/23	4.25/23	4.33/22	4.40/22	4.48/22	4.54/22	4.59/21	4.60/21	4.48/21	4.23/19	-	-	-	-	-	-
19349	18972	18568	18131	17654	17131	16548	15128	13471	11141	-	-	TXB-365005	670	5	6260
4.56/24	4.65/24	4.73/24	4.81/23	4.88/23	4.95/23	5.01/23	5.05/22	4.97/22	4.71/21	-	-	-	-	-	-
20793	20443	20074	19677	19252	18793	18292	17125	15671	14067	11871	-	TXB-367501	720	7-1/2	6727
5.66/27	5.75/27	5.84/26	5.93/26	6.01/26	6.09/26	6.16/26	6.26/25	6.24/25	6.13/24	5.83/23	-	-	-	-	-
22093	21765	21420	21055	20666	20252	19805	18797	17569	16160	14373	12478	TXB-367502	765	7-1/2	7147
6.79/30	6.89/30	6.98/29	7.07/29	7.17/29	7.25/29	7.34/28	7.47/28	7.52/27	7.46/27	7.27/26	6.97/26	-	-	-	-

Power Ratings (BHP) does not include transmission losses. Performance certified is for installation type A - free inlet, free outlet. Performance ratings do not include the effects of birdscreen in the airstream. The sound ratings shown are loudness values in fan sones @ 5' (1.5m) in a hemispherical free field calculated per AMCA Standard 301. Values shown are for: Installation Type A: free inlet hemispherical sone levels.



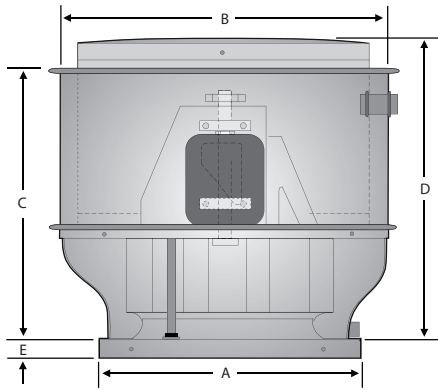
S&P USA Ventilation Systems, LLC., Div. of Soler & Palau Ventilation Group, certifies that the Models TXB shown herein are licensed to bear the AMCA Seal. The ratings shown are based on test and procedures performed in accordance with AMCA Publication 211 and AMCA Publication 311 and comply with the requirement of the AMCA Certified Ratings Program.



UL STANDARD 705 for Electrical UL STANDARD 762 for Grease Removal



SIZE 36 - HIGH PRESSURE



Dimensions (in.)				
A	B	C	D	E
42-1/2	66	44	48	2-1/2

Dimensional Data				Metal Thickness			Avg. Ship Wt. (lbs.)
Damper		Roof Opening	Curb OD	Curb Cap	Wind Band	Motor Cover	
ID	OD						
36	36	37-3/4	40-3/4	.090	.050	.050	365

CFM / BHP @ Static Pressure / Sones													Catalog Number	RPM	HP	Tip Speed
1/2	5/8	3/4	1	1-1/4	1-1/2	1-3/4	2	2-1/4	2-1/2	2-3/4	3					
5889	-	-	-	-	-	-	-	-	-	-	-	-	TXBHP-36101	405	1	3784
0.83/7.6	-	-	-	-	-	-	-	-	-	-	-	-	-	-	-	-
6412	-	-	-	-	-	-	-	-	-	-	-	-	TXBHP-36102	415	1	3877
0.90/7.9	-	-	-	-	-	-	-	-	-	-	-	-	-	-	-	-
7078	-	-	-	-	-	-	-	-	-	-	-	-	TXBHP-36103	430	1	4017
1.02/8.4	-	-	-	-	-	-	-	-	-	-	-	-	-	-	-	-
7862	6415	-	-	-	-	-	-	-	-	-	-	-	TXBHP-36151	450	1-1/2	4204
1.17/9.2	1.13/9.1	-	-	-	-	-	-	-	-	-	-	-	-	-	-	-
8575	7448	5189	-	-	-	-	-	-	-	-	-	-	TXBHP-36152	470	1-1/2	4391
1.33/9.9	1.32/9.7	1.15/10.2	-	-	-	-	-	-	-	-	-	-	-	-	-	-
9240	8286	6822	-	-	-	-	-	-	-	-	-	-	TXBHP-36153	490	1-1/2	4578
1.50/10.7	1.51/10.5	1.44/10.7	-	-	-	-	-	-	-	-	-	-	-	-	-	-
9715	8860	7692	-	-	-	-	-	-	-	-	-	-	TXBHP-36201	505	2	4718
1.63/11.3	1.66/11.1	1.62/11.2	-	-	-	-	-	-	-	-	-	-	-	-	-	-
10021	9222	8166	-	-	-	-	-	-	-	-	-	-	TXBHP-36202	515	2	4811
1.72/11.8	1.75/11.5	1.74/11.5	-	-	-	-	-	-	-	-	-	-	-	-	-	-
10467	9741	8807	-	-	-	-	-	-	-	-	-	-	TXBHP-36203	530	2	4952
1.86/12.5	1.91/12.1	1.91/12.0	-	-	-	-	-	-	-	-	-	-	-	-	-	-
10760	10075	9204	5776	-	-	-	-	-	-	-	-	-	TXBHP-36204	540	2	5045
1.96/13.0	2.01/12.6	2.02/12.4	1.73/13.4	-	-	-	-	-	-	-	-	-	-	-	-	-
11335	10718	9953	7428	-	-	-	-	-	-	-	-	-	TXBHP-36301	560	3	5232
2.16/13.7	2.23/13.5	2.26/13.3	2.11/13.9	-	-	-	-	-	-	-	-	-	-	-	-	-
11899	11330	10651	8725	-	-	-	-	-	-	-	-	-	TXBHP-36302	580	3	5419
2.37/14.6	2.45/14.3	2.50/14.0	2.45/14.5	-	-	-	-	-	-	-	-	-	-	-	-	-
12456	11921	11312	9665	-	-	-	-	-	-	-	-	-	TXBHP-36303	600	3	5606
2.60/15.4	2.69/15.1	2.75/14.9	2.76/15.0	-	-	-	-	-	-	-	-	-	-	-	-	-
13005	12499	11946	10489	7767	-	-	-	-	-	-	-	-	TXBHP-36304	620	3	5792
2.85/16.3	2.94/16.0	3.01/15.7	3.06/15.6	2.79/16.5	-	-	-	-	-	-	-	-	-	-	-	-
13684	13207	12698	11484	9572	-	-	-	-	-	-	-	-	TXBHP-365001	645	5	6026
3.18/17.4	3.27/17.2	3.36/16.9	3.45/16.4	3.36/17.2	-	-	-	-	-	-	-	-	-	-	-	-
14222	13765	13283	12188	10548	-	-	-	-	-	-	-	-	TXBHP-365002	665	5	6213
3.46/18.3	3.55/18.1	3.65/17.8	3.77/17.3	3.74/17.7	-	-	-	-	-	-	-	-	-	-	-	-
14888	14454	14000	12971	11602	9428	-	-	-	-	-	-	-	TXBHP-365003	690	5	6446
3.83/19.5	3.93/19.2	4.03/19.0	4.18/18.5	4.22/19.2	3.99/20	-	-	-	-	-	-	-	-	-	-	-
15417	14998	14564	13608	12374	10667	-	-	-	-	-	-	-	TXBHP-365004	710	5	6633
4.15/20	4.25/20	4.36/19.9	4.53/19.4	4.6/19.1	4.5/19.8	-	-	-	-	-	-	-	-	-	-	-
16074	15673	15259	14372	13277	11884	9319	-	-	-	-	-	-	TXBHP-365005	735	5	6867
4.57/22	4.68/21	4.79/21	4.98/21	5.10/20	5.07/21	4.67/21	-	-	-	-	-	-	-	-	-	-
17506	17136	16761	15974	15095	14005	12622	10338	-	-	-	-	-	TXBHP-367501	790	7-1/2	7381
5.60/24	5.72/24	5.84/24	6.06/23	6.25/23	6.34/22	6.29/23	5.88/24	-	-	-	-	-	-	-	-	-
18794	18449	18099	17379	16608	15721	14638	13290	11142	-	-	-	-	TXBHP-367502	840	7-1/2	7848
6.66/26	6.79/26	6.92/26	7.16/26	7.39/25	7.56/25	7.62/25	7.54/25	7.12/26	-	-	-	-	-	-	-	-
19817	19488	19157	18479	17767	16993	16067	14959	13585	11274	-	-	-	TXBHP-361001	880	10	8222
7.61/28	7.74/28	7.87/28	8.14/28	8.39/27	8.61/27	8.73/26	8.75/27	8.63/27	8.06/28	-	-	-	-	-	-	-
20834	20520	20205	19563	18897	18188	17392	16453	15337	11556	8370	-	-	TXBHP-361002	920	10	8595
8.64/31	8.78/30	8.92/30	9.20/30	9.47/30	9.71/29	9.90/29	9.99/29	9.99/29	9.13/29	7.79/30	-	-	-	-	-	-

Power Ratings (BHP) does not include transmission losses.
 Performance certified is for installation type A - free inlet, free outlet.
 Performance ratings do not include the effects of birdscreen in the airstream.
 The sound ratings shown are loudness values in fan sones @ 5' (1.5m) in a hemispherical free field calculated per AMCA Standard 301. Values shown are for: Installation Type A: free inlet hemispherical sone levels.



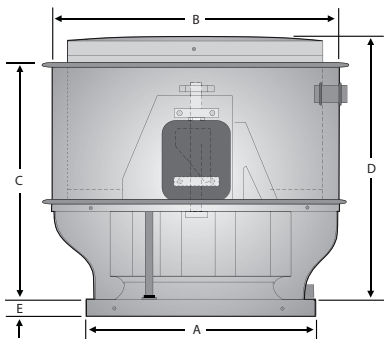
S&P USA Ventilation Systems, LLC., Div. of Soler & Palau Ventilation Group, certifies that the Models TXB shown herein are licensed to bear the AMCA Seal. The ratings shown are based on test and procedures performed in accordance with AMCA Publication 211 and AMCA Publication 311 and comply with the requirement of the AMCA Certified Ratings Program.



UL STANDARD 705 for Electrical
 UL STANDARD 762 for Grease Removal



SIZE 42



Dimensions (in.)				
A	B	C	D	E
55	72-1/2	48	52	2-1/2

Dimensional Data				Metal Thickness			Avg. Ship Wt. (lbs.)
Damper		Roof Opening	Curb OD	Curb Cap	Wind Band	Motor Cover	
ID	OD						
48	48	50-1/4	53-1/4	.100	.050	.050	385

CFM / BHP @ Static Pressure / Sones													RPM	HP	Tip Speed
0	1/8	1/4	3/8	1/2	5/8	3/4	1	1-1/4	1-1/2	1-3/4	2	Catalog Number			
10306 0.28/6.8	7988 0.33/6.8	-	-	-	-	-	-	-	-	-	-	TXB-42501	200	1/2	2199
11852 0.43/8.2	10011 0.49/8.2	6471 0.45/8.2	-	-	-	-	-	-	-	-	-	TXB-42502	230	1/2	2829
12625 0.52/9.0	10926 0.59/8.9	7540 0.57/8.8	-	-	-	-	-	-	-	-	-	TXB-42751	245	3/4	2694
13656 0.66/10.0	12109 0.74/9.9	9589 0.76/9.8	-	-	-	-	-	-	-	-	-	TXB-42752	265	3/4	2914
14429 0.78/10.8	12977 0.86/10.6	11065 0.91/10.5	7791 0.81/10.4	-	-	-	-	-	-	-	-	TXB-42101	280	1	3079
14944 0.86/11.4	13549 0.95/11.2	11868 1.01/11.0	8543 0.93/10.8	-	-	-	-	-	-	-	-	TXB-42102	290	1	3189
15459 0.96/11.9	14116 1.05/11.8	12546 1.11/11.6	9230 1.04/11.4	-	-	-	-	-	-	-	-	TXB-42151	300	1-1/2	3299
16232 1.11/12.6	14959 1.20/12.4	13514 1.28/12.3	10696 1.26/12.2	8017 1.12/12.0	-	-	-	-	-	-	-	TXB-42152	315	1-1/2	3464
17005 1.27/13.4	15795 1.37/13.3	14449 1.46/13.1	12322 1.49/13.0	9513 1.35/12.8	-	-	-	-	-	-	-	TXB-42153	330	1-1/2	3628
17521 1.39/14.0	16349 1.50/13.8	15060 1.58/13.7	13278 1.63/13.5	10223 1.50/13.3	6983 1.22/13.0	-	-	-	-	-	-	TXB-42201	340	2	3738
18294 1.59/14.9	17174 1.69/14.7	15960 1.79/14.6	14521 1.86/14.4	11441 1.76/14.1	9452 1.92/13.8	-	-	-	-	-	-	TXB-42202	355	2	3903
18809 1.72/15.4	17772 1.83/15.3	16553 1.93/15.1	15207 2.01/15.0	12488 1.96/14.8	10337 1.81/14.3	6123 1.39/14.0	-	-	-	-	-	TXB-42203	365	2	4013
19582 1.95/16.3	18540 2.06/16.1	17430 2.17/15.9	16182 2.25/15.8	14122 2.27/15.6	11420 2.10/15.2	8695 1.85/14.8	-	-	-	-	-	TXB-42301	380	3	4178
20355 2.18/17.2	19354 2.31/17.0	18296 2.42/16.8	17129 2.51/16.6	15546 2.56/16.5	12609 2.42/16.2	10936 2.27/15.7	-	-	-	-	-	TXB-42302	395	3	4343
21128 2.44/18.0	20165 2.57/17.8	19154 2.68/17.7	18055 2.79/17.5	16774 2.86/17.3	14170 2.79/17.1	12073 2.61/16.6	-	-	-	-	-	TXB-42303	410	3	4508
21643 2.63/18.6	20705 2.75/18.4	19722 2.87/18.2	18661 2.98/18.1	17462 3.07/17.9	15269 3.04/17.7	12766 2.85/17.3	6656 2.09/16.4	-	-	-	-	TXB-425001	420	5	4618
22159 2.82/19.3	21243 2.95/19.1	20286 3.07/18.9	19262 3.18/18.7	18119 3.28/18.5	16303 3.29/1.83	13562 3.11/18.0	8822 2.47/17.0	-	-	-	-	TXB-425002	430	5	4728
22931 3.12/20	22048 3.26/20	21129 3.39/19.8	20153 3.51/19.6	19082 3.61/19.4	17681 3.67/19.3	15074 3.54/19.0	11238 3.14/18.0	-	-	-	-	TXB-425003	445	5	4893
23447 3.34/21	22538 3.48/21	21687 3.61/20	20740 3.73/20	19710 3.84/20	18484 3.91/19.9	16173 3.85/19.7	12535 3.47/18.6	-	-	-	-	TXB-425004	455	5	5003
24220 3.68/22	23384 3.83/22	22521 3.96/21	21614 4.09/21	20638 4.20/21	19551 4.29/21	17756 4.3/21	13694 3.92/19.7	-	-	-	-	TXB-425005	470	5	5168
24735 3.92/22	23917 4.07/22	23074 4.21/22	22181 4.34/22	21247 4.46/22	20208 4.56/21	18703 4.60/21	14400 4.23/20	9783 3.41/19.0	-	-	-	TXB-425006	480	5	5278
25508 4.30/23	24176 4.45/23	23901 4.60/23	23052 4.74/23	22152 4.86/23	21173 4.97/22	19975 5.04/22	15519 4.73/22	12017 4.24/20	-	-	-	TXB-425007	495	5	5443
26539 4.84/25	25778 5.00/25	24997 5.15/24	24188 5.30/24	23339 5.43/24	22429 5.55/24	21427 5.65/24	17525 5.50/23	14525 5.08/22	-	-	-	TXB-427501	515	7-1/2	5663
27312 5.28/26	26573 5.44/25	25817 5.60/25	25035 5.75/25	24218 5.89/25	23351 6.02/25	22410 6.13/25	19179 6.11/24	15634 5.65/23	11323 4.74/22	-	-	TXB-427502	530	7-1/2	5828
28342 5.90/27	27631 6.07/27	26904 6.23/26	26152 6.39/26	25378 6.54/26	24561 6.68/26	23684 6.80/26	21215 6.91/25	17031 6.45/24	14648 6.04/24	-	-	TXB-427503	530	7-1/2	6047
29115 6.39/28	28423 6.57/28	27717 6.74/27	26992 6.90/27	26241 7.06/27	25455 7.20/27	24621 7.33/27	22538 7.50/26	18467 7.15/26	15978 6.72/25	11004 5.45/24	-	TXB-427504	565	7-1/2	6212

Power Ratings (BHP) does not include transmission losses.
 Performance certified is for installation type A - free inlet, free outlet.
 Performance ratings do not include the effects of birdscreen in the airstream.
 The sound ratings shown are loudness values in fan sones @ 5' (1.5m) in a hemispherical free field calculated per AMCA Standard 301. Values shown are for Installation Type A: free inlet hemispherical sone levels.



S&P USA Ventilation Systems, LLC., Div. of Soler & Palau Ventilation Group, certifies that the Models TXB shown herein are licensed to bear the AMCA Seal. The ratings shown are based on test and procedures performed in accordance with AMCA Publication 211 and AMCA Publication 311 and comply with the requirement of the AMCA Certified Ratings Program.



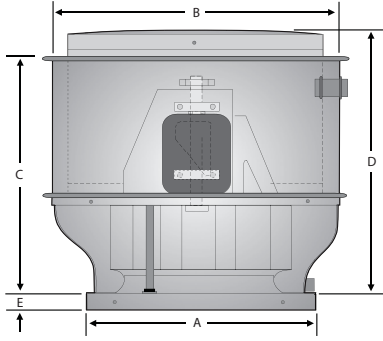
UL STANDARD 705 for Electrical
 UL STANDARD 762 for Grease Removal



MODEL TXB
BELT DRIVE CENTRIFUGAL UPBLAST ROOF EXHAUSTER



SIZE 48



Dimensions (in.)				
A	B	C	D	E
55	78-3/4	52	55	2-1/2

Dimensional Data				Metal Thickness			Avg. Ship Wt. (lbs.)
Damper		Roof Opening	Curb OD	Curb Cap	Wind Band	Motor Cover	
ID	OD						
48	48	50-1/4	53-1/4	.100	.050	.050	490

CFM / BHP @ Static Pressure / Sones													RPM	HP	Tip Speed	
0	1/8	1/4	3/8	1/2	5/8	3/4	1	1-1/4	1-1/2	1-3/4	2	Catalog Number				
11713	8527	-	-	-	-	-	-	-	-	-	-	TXB-48501	170	1/2	2114	
0.33/3.5	0.37/3.1	-	-	-	-	-	-	-	-	-	-	-	TXB-48501	170	1/2	2114
12402	9664	-	-	-	-	-	-	-	-	-	-	TXB-48502	180	1/2	2238	
0.39/3.9	0.44/3.6	-	-	-	-	-	-	-	-	-	-	-	TXB-48502	180	1/2	2238
13091	10066	-	-	-	-	-	-	-	-	-	-	TXB-48503	190	1/2	2363	
0.46/4.3	0.52/4.0	-	-	-	-	-	-	-	-	-	-	-	TXB-48503	190	1/2	2363
13091	10666	-	-	-	-	-	-	-	-	-	-	TXB-48751	205	3/4	2549	
0.46/4.3	0.52/4.7	-	-	-	-	-	-	-	-	-	-	-	TXB-48751	205	3/4	2549
14813	12737	8924	-	-	-	-	-	-	-	-	-	TXB-48752	215	3/4	2674	
0.67/5.4	0.75/5.2	0.70/5.2	-	-	-	-	-	-	-	-	-	-	TXB-48752	215	3/4	2674
15847	13896	10899	-	-	-	-	-	-	-	-	-	TXB-48101	230	1	2860	
0.82/6.1	0.91/5.9	0.90/5.6	-	-	-	-	-	-	-	-	-	-	TXB-48101	230	1	2860
16536	14656	12014	-	-	-	-	-	-	-	-	-	TXB-48102	240	1	2984	
0.93/6.0	1.02/6.3	1.04/6.1	-	-	-	-	-	-	-	-	-	-	TXB-48102	240	1	2984
17225	15408	13163	-	-	-	-	-	-	-	-	-	TXB-48151	250	1-1/2	3109	
1.05/7.0	1.15/6.7	1.19/6.5	-	-	-	-	-	-	-	-	-	-	TXB-48151	250	1-1/2	3109
17914	16154	14236	10299	-	-	-	-	-	-	-	-	TXB-48152	260	1-1/2	3233	
1.18/7.4	1.29/7.2	1.34/7.0	1.22/7.0	-	-	-	-	-	-	-	-	-	TXB-48152	260	1-1/2	3233
18603	16895	15206	11919	-	-	-	-	-	-	-	-	TXB-48153	270	1-1/2	3358	
1.32/7.9	1.44/7.6	1.50/7.4	1.41/7.3	-	-	-	-	-	-	-	-	-	TXB-48153	270	1-1/2	3358
19636	17999	16495	13726	9349	-	-	-	-	-	-	-	TXB-48201	285	2	3544	
1.56/8.5	1.68/8.3	1.75/8.1	1.72/7.9	1.48/8.3	-	-	-	-	-	-	-	-	TXB-48201	285	2	3544
20670	19097	17694	15399	11849	-	-	-	-	-	-	-	TXB-48202	300	2	3731	
1.87/9.2	1.95/9.0	2.03/8.8	2.04/8.5	1.87/8.6	-	-	-	-	-	-	-	-	TXB-48202	300	2	3731
21359	19825	18476	16546	13528	8885	-	-	-	-	-	-	TXB-48301	310	3	3855	
2.00/9.8	2.14/9.5	2.23/9.3	2.26/9.1	2.12/9.0	1.77/9.9	-	-	-	-	-	-	-	TXB-48301	310	3	3855
22048	20551	19249	17592	14793	10661	-	-	-	-	-	-	TXB-48302	320	3	3979	
2.20/10.3	2.35/10.1	2.44/9.8	2.49/9.6	2.39/9.5	2.11/10.0	-	-	-	-	-	-	-	TXB-48302	320	3	3979
22737	21275	20013	18560	15952	12193	-	-	-	-	-	-	TXB-48303	330	3	4104	
2.42/10.8	2.57/10.6	2.67/10.4	2.73/10.2	2.67/10.0	2.44/10.3	-	-	-	-	-	-	-	TXB-48303	330	3	4104
23426	21997	20771	19458	17054	14121	9830	-	-	-	-	-	TXB-48304	340	3	4228	
2.64/11.5	2.80/11.2	2.91/11.0	2.98/10.8	2.95/10.6	2.76/10.7	2.34/10.7	-	-	-	-	-	-	TXB-48304	340	3	4228
24459	23071	21898	20682	18779	16204	12357	-	-	-	-	-	TXB-485001	355	5	4415	
3.01/12.4	3.18/12.1	3.29/11.8	3.38/11.6	3.40/11.5	3.25/11.4	2.95/12.0	-	-	-	-	-	-	TXB-485001	355	5	4415
25837	24513	23387	22266	20855	18507	15915	-	-	-	-	-	TXB-485002	375	5	4663	
3.55/13.8	3.73/13.5	3.86/13.3	3.95/13.1	4.01/13.0	3.94/12.9	3.72/13.0	-	-	-	-	-	-	TXB-485002	375	5	4663
26871	25587	24495	23428	22250	20201	17886	10701	-	-	-	-	TXB-485003	390	5	4850	
3.99/14.8	4.18/14.6	4.32/14.5	4.42/14.3	4.50/14.2	4.49/14.1	4.31/14.1	3.44/15.0	-	-	-	-	-	TXB-485003	390	5	4850
27904	26658	25598	24574	23485	21877	19631	13520	-	-	-	-	TXB-485004	405	5	5036	
4.47/15.8	4.67/15.7	4.82/15.5	4.93/15.4	5.02/15.4	5.05/15.4	4.94/15.5	4.28/15.6	-	-	-	-	-	TXB-485004	405	5	5036
29282	28083	27061	26086	25081	23863	21866	16901	8340	-	-	-	TXB-487501	425	7-1/2	5285	
5.16/17.3	5.38/17.2	5.54/17.1	5.66/17.1	5.77/17.0	5.84/17.1	5.84/17.0	5.33/17.0	3.81/17.8	-	-	-	-	TXB-487501	425	7-1/2	5285
30316	29150	28153	27209	26253	25207	23573	19343	12941	-	-	-	TXB-487502	440	7-1/2	5471	
5.73/18.5	5.95/18.4	6.12/18.3	6.26/18.3	6.37/18.1	6.46/18	6.48/17.8	6.09/17.7	5.12/18.4	-	-	-	-	TXB-487502	440	7-1/2	5471
31694	30569	29604	29697	27792	26837	25611	21797	16210	-	-	-	TXB-487503	460	7-1/2	5720	
6.55/19.9	6.78/19.8	6.96/19.6	7.12/19.4	7.24/19.3	7.3/19.1	7.40/19.0	7.17/18.7	6.47/19.2	-	-	-	-	TXB-487503	460	7-1/2	5720
33072	31984	31049	30174	29311	28422	27448	24028	19817	13705	-	-	TXB-481001	480	10	5969	
7.44/21	7.69/21	7.88/21	8.05/21	8.18/21	8.30/20	8.39/20	8.31/19.9	7.75/20	6.55/20.9	-	-	-	TXB-481001	480	10	5969
34105	33045	32130	31276	30441	29589	28681	25750	22031	16402	-	-	TXB-481002	495	10	6155	
8.16/22	8.42/22	8.62/22	8.79/22	8.94/21	9.07/21	9.17/21	9.19/21	8.72/21	7.79/21	-	-	-	TXB-481002	495	10	6155
35139	34105	33209	32375	31563	30747	29887	27429	23870	18697	12370	-	TXB-481003	510	10	6342	
8.92/23	9.19/23	9.40/23	9.59/23	9.74/22	9.88/22	9.99/22	10.09/22	9.73/21	8.99/22	7.27/23	-	-	TXB-481003	510	10	6342

Power Ratings (BHP) does not include transmission losses.
Performance certified is for installation type A - free inlet, free outlet.
Performance ratings do not include the effects of birdscreen in the airstream.
The sound ratings shown are loudness values in fan sones @ 5' (1.5m) in a hemispherical free field calculated per AMCA Standard 301. Values shown are for:
Installation Type A: free inlet hemispherical sone levels.



S&P USA Ventilation Systems, LLC., Div. of Soler & Palau Ventilation Group, certifies that the Models TXB shown herein are licensed to bear the AMCA Seal. The ratings shown are based on test and procedures performed in accordance with AMCA Publication 211 and AMCA Publication 311 and comply with the requirement of the AMCA Certified Ratings Program.



MODEL CWD

DIRECT DRIVE CENTRIFUGAL SIDEWALL EXHAUSTER



MODEL FEATURES

- Exhaust air up to 3,360 CFM in high static pressure applications up to 1" w.g.
- Attractive spun aluminum exterior
- Direct drive units have low sound levels and quiet operation
- Non-overloading backward inclined wheel for efficiency at higher static pressures
- AMCA Air and Sound Licensed
- UL 705 Listed

MODEL OVERVIEW

Model CWD direct drive fans are designed to exhaust air up to 3,360 CFM in high static pressure applications to 1". The spun aluminum exterior provides a pleasing appearance, weatherproof construction and resistance to corrosion. The low silhouette design is less noticeable on the building exterior and the removable dome provides easy access to the fan interior for service and cleaning. The non-overloading backward inclined centrifugal wheel with its high static pressure capability, makes it suitable for either ducted or nonducted applications. It should be used where a sidewall mounted location is preferred to roof mounting. Direct drive units use smaller diameter wheels with lower rpm's, resulting in low sound levels and quiet operation. They have no belts or fan bearings to maintain or adjust and consequently require very little maintenance.

CWDs are used to exhaust relatively clean air from a variety of industrial, commercial and institutional buildings such as machinery and equipment rooms, storage areas, office buildings, restaurants, retail stores, schools and similar buildings.

CONSTRUCTION FEATURES AND OPTIONS

Spun Aluminum Shell
Maximum weather protection.

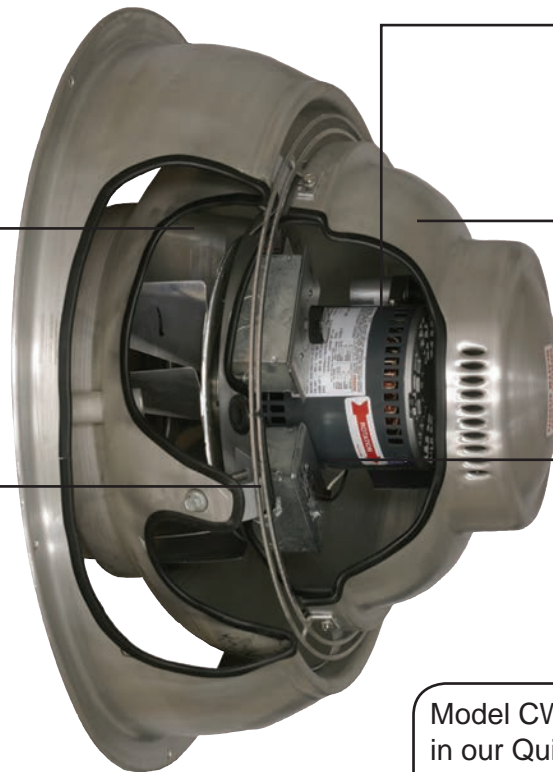
Centrifugal Wheel
Non-overloading, backward inclined blades for maximum efficiency.

Duct Connection
At wheel inlet.

Aluminum Birdscreen
(optional)
Protection from birds and other objects

Factory Run & Tested
Assures dependable operation

AMCA Seal
Assures rating of Sound and Air performance



Motor
Open drip-proof standard and speed controllable.

Spun Aluminum Dome
Provides compartment for out-of-airstream motor location.

Disconnect
Standard with ODP single speed motors.

UL Label
For electrical reliability

Model CWD is available in our Quickship program. Sizes 7-14 are available for next day or 10-day shipping from stock.

Industry best 5 year fan housing warranty, 1 year motor warranty

All specifications are subject to change without notice unless approved in submittal by S&P USA.



CONSTRUCTION/SPECIFICATION CHECKLIST

Housing

- Integral spun inlet for efficient performance.
- Spun aluminum dome for weather protection and attractive appearance.
- Motor support of heavy-gauge aluminum for rigidity and strength.
- Ventilated motor compartment with motor out of air stream for long trouble-free service.
- Dome easily removes for access to motor compartment.
- Water-tight construction.
- Duct connection provided at wheel inlet.

Centrifugal Wheel

- Backward inclined for efficiency at higher static pressure.
- Non-overloading for safe operation in ducted systems.
- Statically and dynamically balanced for smooth, quiet operation.
- Heavy aluminum hub for extra strength.
- All aluminum construction.

Motors

- Speed controllable motors available on most models.
- Brands are nationally recognized and locally serviced.
- Single speed open drip-proof are standard.
- Two speed drip-proof and single speed explosion-proof motors are available for most models.
- Disconnect switch standard with single speed drip-proof motors.

AMCA Seal

- Models CWD are licensed for Air and Sound Performance.

UL Label

- UL 705 available when specified.



OPTIONS/ACCESSORIES

Solid State Speed Control: Available with direct drive models. Control is matched to the motor and blower wheel to allow reduction in performance from full motor speed to 60% of full speed. CFM is reduced in direct proportion to motor speed reduction. Exhauster performance can be controlled from the ventilated area.



Motor Operated Damper: Motor operated aluminum damper for positive closure against backdraft.



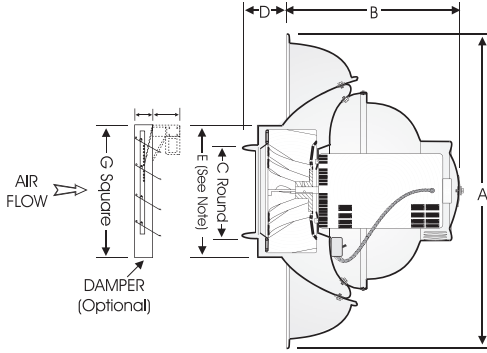
Automatic Damper: Automatic aluminum damper for ease in installation and effective backdraft protection.

Special Coatings: For protective and decorative purposes. Available coatings include: Synthetic Resin, Epoxy, and Heresite (air-dried phenolic). Contact your representative or the factory for more information on available coatings and colors.



PERFORMANCE/DIMENSIONS

SIZES 7, 8 & 9



Size	A	B	C	D	E	G	Avg. Ship Wt. (lbs.)
7	15	8	5-15/16	1-1/2	8	8	12
8	20	9	9-15/16	2	12	11	20
9	26	13-1/2	11-15/16	3	15	14	37

	CFM / BHP @ Static Pressure / Sones									Catalog Number	HP	RPM	Tip Speed
	0	1/8	1/4	3/8	1/2	5/8	3/4	7/8	1				
CWD 7	152 .02/2.3	84 .01/1.5	-	-	-	-	-	-	-	070A S	1/25	930	1723
	175 .02/3.1	120 .02/2.3	-	-	-	-	-	-	-	070A S	1/25	1070	1982
	202 .02/4.1	156 .02/3.4	93 .02/3.2	-	-	-	-	-	-	070A S	1/25	1230	2279
	228 .03/5.2	189 .03/4.6	139 .03/4.1	75 .02/4.3	-	-	-	-	-	070A S	1/25	1390	2575
	254 .04/6.5	220 .04/5.9	179 .03/5.3	127 .03/5.3	66 .03/5.4	-	-	-	-	070A *	1/25	1550	2871
CWD 8	320 .03/4.0	209 .02/3.5	98 .02/4.0	-	-	-	-	-	-	080A S	1/15	930	2267
	369 .04/5.0	275 .03/4.7	175 .02/5.0	-	-	-	-	-	-	080A S	1/15	1075	2620
	421 .05/6.7	339 .04/6.4	251 .04/6.3	167 .03/6.8	-	-	-	-	-	080A S	1/15	1225	2986
	473 .06/8.9	403 .06/8.5	324 .05/8.2	243 .05/8.3	172 .04/8.7	92 .04/9.1	-	-	-	080A S	1/15	1375	3352
	524 .07/11.8	463 .07/11.4	390 .06/11.1	320 .06/10.7	249 .05/10.9	186 .04/11.1	132 .04/11.4	-	-	080A *	1/15	1550	3778
CWD 9	540 .03/2.5	258 .02/1.9	-	-	-	-	-	-	-	091A S	1/4	685	2004
	630 .05/3.5	392 .04/2.9	-	-	-	-	-	-	-	091A S	1/4	800	2340
	741 .08/4.9	554 .06/4.3	330 .05/4.0	-	-	-	-	-	-	091A S	1/4	940	2750
	804 .09/5.7	637 .08/5.1	426 .07/4.7	236 .05/4.6	-	-	-	-	-	091A S	1/4	1020	2984
	898 .12/7.0	755 .11/6.4	564 .09/5.9	390 .08/5.8	221 .07/5.6	-	-	-	-	091A *	1/4	1140	3335
	811 .09/6.1	651 .08/5.6	467 .07/4.8	313 .06/4.7	-	-	-	-	-	090A S	1/4	1030	3012
	965 .14/8.1	834 .13/7.5	687 .12/7.0	528 .10/6.4	401 .09/5.8	-	-	-	-	090A S	1/4	1225	3583
	1083 .19/9.7	970 .18/9.2	842 .17/8.7	704 .16/8.2	565 .14/7.8	454 .12/7.4	-	-	-	090A S	1/4	1375	4021
	1221 .26/12.1	1126 .25/11.4	1009 .25/10.9	894 .23/10.5	771 .22/10.2	645 .20/9.8	545 .18/9.5	-	-	090A *	1/4	1550	4534
	1320 .34/13.8	1255 .33/13.4	1149 .32/13.1	1047 .31/12.8	937 .30/12.5	823 .28/12.1	709 .26/11.6	617 .24/11.6	532 .23/11.5	090A 33*	1/3	1700	4973

Performance certified is for installation type A - free inlet, free outlet.
 Performance ratings include the effects of birdscreen in the airstream.
 The sound ratings shown are loudness values in fan sones @ 5' (1.5m) in a hemispherical free field calculated per AMCA Standard 301. Values shown are for: Installation Type A: free inlet hemispherical sone levels.
 * Base Unit- AMCA Seal for Sound Rating does not apply to units with speed control.
 S RPM range capable with solid state speed control.
 Speed (RPM) shown is nominal. Performance is based on actual speed of test.
 Note: For round duct connection directly to unit without damper, cut a circular hole equal to dimension E above.

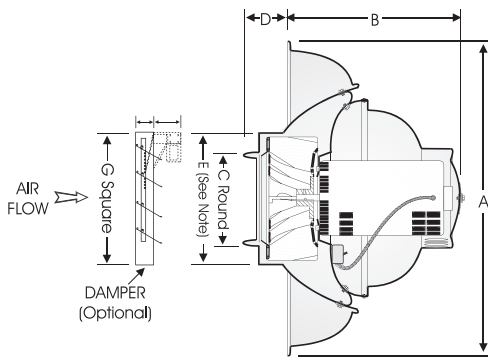


S&P USA Ventilation Systems, LLC., Div. of Soler & Palau Ventilation Group, certifies that the Models CWD shown herein are licensed to bear the AMCA Seal. The ratings shown are based on test and procedures performed in accordance with AMCA Publication 211 and AMCA Publication 311 and comply with the requirement of the AMCA Certified Ratings Program.





SIZES 10 & 11



Size	A	B	C	D	E	G	Avg. Ship Wt. (lbs.)
10	26	13-1/2	11-15/16	3	15	14	37
11	30	15-1/2	13-15/16	3	17-1/2	14	50

	CFM / BHP @ Static Pressure / Sones									Catalog Number	HP	RPM	Tip Speed
	0	1/8	1/4	3/8	1/2	5/8	3/4	7/8	1				
CWD 10	629	326	-	-	-	-	-	-	-	101A S	1/4	685	2093
	.04/3.0	.03/2.6	-	-	-	-	-	-	-	-	-	-	-
	734	474	224	-	-	-	-	-	-	101A S	1/4	800	2444
	.05/4.2	.04/3.7	.04/3.6	-	-	-	-	-	-	-	-	-	-
	826	618	369	142	-	-	-	-	-	101A S	1/4	900	2750
	.07/5.3	.07/4.9	.05/4.7	.05/4.6	-	-	-	-	-	-	-	-	-
	936	773	527	335	128	-	-	-	-	101A S	1/4	1020	3116
	.10/6.7	.10/6.3	.08/6.1	.07/6.0	.06/6.0	-	-	-	-	-	-	-	-
	1046	903	682	503	329	143	-	-	-	101A *	1/4	1140	3483
	.14/8.1	.13/7.7	.11/7.5	.10/7.4	.09/7.4	.08/7.3	-	-	-	-	-	-	-
950	794	540	357	173	-	-	-	-	100A S	1/3	1030	3147	
.10/7.5	.09/7.2	.08/6.5	.07/5.7	.06/5.4	-	-	-	-	-	-	-	-	
1107	976	777	581	427	274	-	-	-	100A S	1/3	1200	3666	
.15/9.7	.15/9.3	.12/9.0	.11/8.2	.10/7.5	.09/6.8	-	-	-	-	-	-	-	
1268	1155	1028	813	657	523	391	250	-	100A S	1/3	1375	4201	
.23/12.2	.22/12.0	.20/11.8	.18/11.3	.16/10.5	.15/9.7	.14/9.1	.13/9.0	-	-	-	-	-	
1453	1355	1252	1118	921	785	663	548	433	100A *	1/3	1575	4812	
.33/15.6	.33/15.4	.32/15.3	.30/15.2	.26/14.7	.24/13.8	.23/13.0	.21/12.3	.20/11.6	-	-	-	-	
1591	1502	1409	1308	1144	981	859	748	642	100A50*	1/2	1725	5269	
.45/18.1	.44/18.0	.43/17.9	.42/17.8	.38/17.7	.34/17.0	.32/16.2	.31/15.6	.29/14.9	-	-	-	-	
CWD 11	810	525	240	-	-	-	-	-	-	111A S	1/4	705	2291
	.06/3.9	.05/3.3	.04/3.1	-	-	-	-	-	-	-	-	-	-
	919	684	410	164	-	-	-	-	-	111A S	1/4	800	2600
	.08/5.3	.07/4.6	.06/4.5	.06/4.3	-	-	-	-	-	-	-	-	-
	1034	837	579	362	134	-	-	-	-	111A S	1/4	900	2925
	.11/6.5	.11/6.0	.09/5.7	.08/5.6	.08/5.4	-	-	-	-	-	-	-	-
	1171	1019	783	571	382	183	-	-	-	111A S	1/4	1020	3315
	.16/8.1	.15/7.5	.14/7.2	.13/7.1	.11/7.0	.11/6.9	-	-	-	-	-	-	-
	1309	1182	981	772	595	427	251	-	-	111A *	1/4	1140	3705
	.24/9.7	.23/9.2	.21/8.7	.19/8.6	.17/8.6	.16/8.5	.15/8.4	-	-	-	-	-	-
1162	1010	813	620	439	-	-	-	-	110A S	1/2	1030	3348	
.14/9.1	.13/8.6	.12/7.8	.11/6.9	.08/6.6	-	-	-	-	-	-	-	-	
1354	1243	1069	900	733	577	-	-	-	110A S	1/2	1200	3900	
.22/11.6	.21/11.1	.19/10.6	.18/9.6	.17/8.7	.15/8.6	-	-	-	-	-	-	-	
1495	1405	1245	1095	941	792	651	-	-	110A S	1/2	1325	4306	
.29/13.5	.28/13.1	.26/12.6	.25/11.8	.23/11.0	.22/10.9	.20/10.8	-	-	-	-	-	-	
1636	1560	1419	1281	1140	1001	865	736	-	110A S	1/2	1450	4713	
.38/15.6	.37/15.2	.35/14.8	.33/14.4	.32/13.5	.30/12.6	.29/11.8	.28/11.6	-	-	-	-	-	
1805	1741	1624	1493	1370	1242	1116	991	873	110A *	1/2	1600	5200	
.50/18.4	.49/18.0	.48/17.7	.45/17.3	.44/16.8	.42/15.9	.39/15.0	.38/14.4	.36/13.6	-	-	-	-	

Performance certified is for installation type A - free inlet, free outlet.

Performance ratings include the effects of birdscreen in the airstream.

The sound ratings shown are loudness values in fan sones @ 5' (1.5m) in a hemispherical free field calculated per AMCA Standard 301. Values shown are for: Installation Type A: free inlet hemispherical sone levels.

* Base Unit- AMCA Seal for Sound Rating does not apply to units with speed control.

S RPM range capable with solid state speed control.

Speed (RPM) shown is nominal. Performance is based on actual speed of test.

Note: For round duct connection directly to unit without damper, cut a circular hole equal to dimension E above.

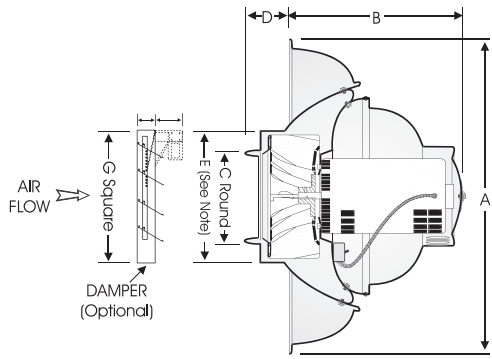


S&P USA Ventilation Systems, LLC., Div. of Soler & Palau Ventilation Group, certifies that the Models CWD shown herein are licensed to bear the AMCA Seal. The ratings shown are based on test and procedures performed in accordance with AMCA Publication 211 and AMCA Publication 311 and comply with the requirement of the AMCA Certified Ratings Program.





SIZES 12, 14 & 16



Size	A	B	C	D	E	G	Avg. Ship Wt. (lbs.)
12	30	15-1/2	13-15/16	3	17-1/2	14	50
14	36	16-1/2	17-15/16	4	22	18	84
16	36	16-1/2	17-15/16	4	22	18	84

	CFM / BHP @ Static Pressure / Sones								Catalog Number	HP	RPM	Tip Speed	
	0	1/8	1/4	3/8	1/2	5/8	3/4	7/8					1
CWD 12	986 .07/5.4	670 .06/3.6	365 .05/3.1	-	-	-	-	-	-	121A S	1/4	685	2471
	1152 .12/6.9	885 .10/5.4	621 .09/4.1	348 .08/4.5	-	-	-	-	-	121A S	1/4	800	2886
	1296 .15/8.5	1058 .13/7.0	816 .12/5.8	589 .11/5.3	340 .10/5.8	-	-	-	-	121A S	1/4	900	3247
	1439 .21/10.2	1227 .20/8.7	1007 .17/7.4	801 .15/6.5	591 .13/6.5	363 .13/7.0	-	-	-	121A S	1/4	1000	3608
	1583 .26/12.0	1393 .25/10.6	1195 .24/9.2	995 .22/8.3	813 .20/7.4	618 .18/7.8	410 .18/8.3	193 .17/8.8	-	121A *	1/4	1100	3968
CWD 14	1640 .14/7.0	1382 .12/6.7	913 .10/6.2	498 .09/5.5	-	-	-	-	-	141A S	1/2	685	2939
	1915 .21/9.2	1714 .20/8.8	1366 .18/8.4	971 .15/7.6	614 .14/6.8	-	-	-	-	141A S	1/2	800	3432
	2154 .30/11.4	1987 .29/11.0	1730 .27/10.7	1346 .25/10.1	1028 .22/9.5	711 .21/8.8	390 .20/8.7	-	-	141A S	1/2	900	3861
	2394 .41/13.7	2249 .40/13.4	2049 .38/13.1	1749 .35/12.8	1407 .32/12.3	1124 .28/11.7	839 .27/11.2	551 .26/10.7	-	141A S	1/2	1000	4290
CWD 16	2585 .50/15.9	2454 .49/15.7	2281 .47/15.3	2040 .44/15.0	1722 .41/14.7	1433 .38/14.2	1170 .36/13.8	906 .34/13.3	670 .33/12.9	141A *	1/2	1080	4633
	3360 .75/19.2	3158 .73/18.3	2937 .72/17.4	2669 .68/16.5	2349 .63/15.7	2005 .58/14.6	1692 .54/13.5	1364 .49/12.4	1032 .44/11.6	161A *	3/4	1140	4835

Performance certified is for installation type A - free inlet, free outlet.
 Performance ratings include the effects of birdscreen in the airstream.
 The sound ratings shown are loudness values in fan sones @ 5' (1.5m) in a hemispherical free field calculated per AMCA Standard 301. Values shown are for: Installation Type A: free inlet hemispherical sone levels.

* Base Unit- AMCA Seal for Sound Rating does not apply to units with speed control.
 S RPM range capable with solid state speed control.

Speed (RPM) shown is nominal. Performance is based on actual speed of test.
 Note: For round duct connection directly to unit without damper, cut a circular hole equal to dimension E above.



S&P USA Ventilation Systems, LLC., Div. of Soler & Palau Ventilation Group, certifies that the Models CWD shown herein are licensed to bear the AMCA Seal. The ratings shown are based on test and procedures performed in accordance with AMCA Publication 211 and AMCA Publication 311 and comply with the requirement of the AMCA Certified Ratings Program.





S&P USA Ventilation Systems, LLC S&P Canada Ventilation Products, Inc.

6393 Powers Avenue Jacksonville, FL 32217 P. 904-731-4711 · F. 904-737-8322 www.spvg-northamerica.com	5600 Ambler Drive Mississauga, ON L4W 2K9 - Canada Tel. 416-744-1217 · Fax 416-744-0887 www.solerpalaucanada.com
---	---

