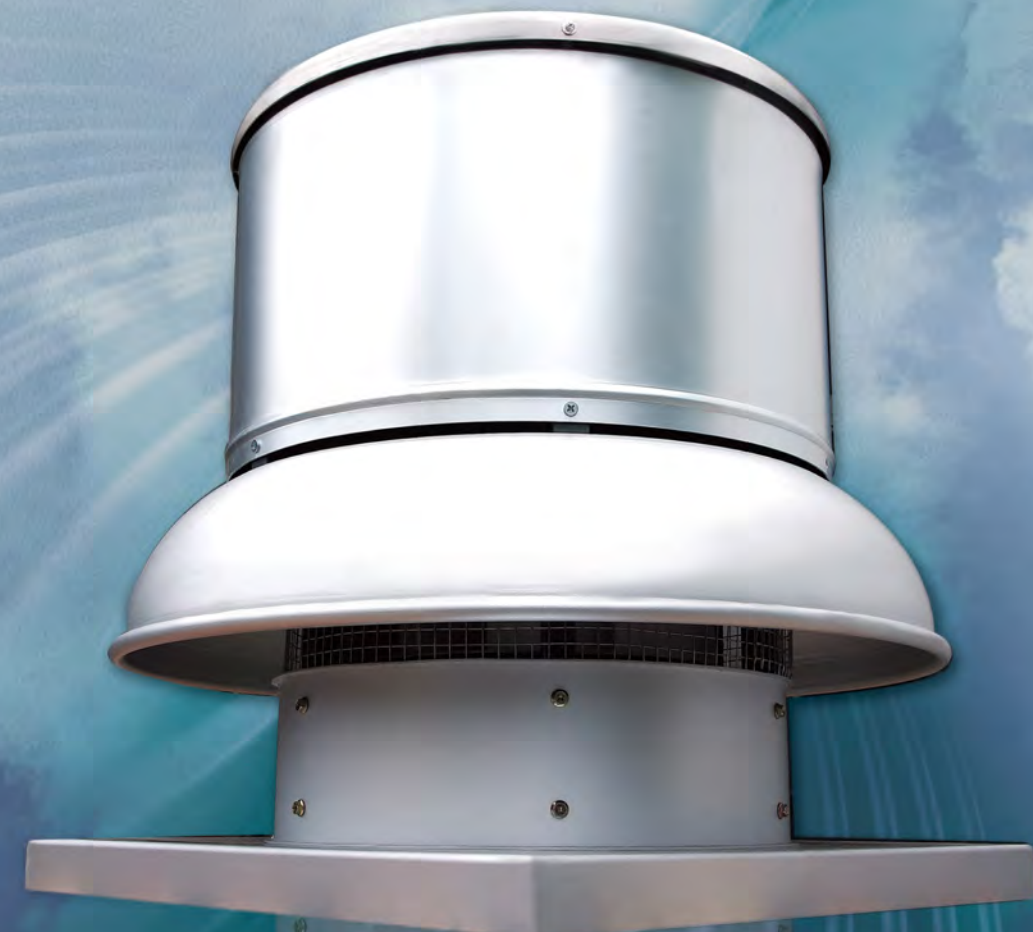


RCB Series



Roof Centrifugal Fan



 **FLOWTECH CO., LTD.**

THE FLOWTECH GROUP

● **TAIPEI**

19F-5, No.1, Baosheng Rd., Yonghe dist. New Taipei City 234, Taiwan
Tel: +886 2-2232-8066 Fax: +886 2-2231-0285~6
E-mail: ydc28066@ms36.hinet.net , flow.tech@msa.hinet.net
<http://www.flowtech.com.tw>

● **Factory**

No.658, Meilin Rd., De-an Village, Dongshan Shiang,
Yilan County, Taiwan 269
Tel: +886 3-9612-449 Fax: +886 3-9614-413

● **Lab**

No.102, Neihu 1st Rd., Dongshan Township,
Yilan County, Taiwan 269
Tel: +886 3-9612-449 Fax: +886 3-9614-413

www.flowtech.com.tw

CNo. : RCB(E) August 2014

AGENT :

 **FLOWTECH**



Flowtech Co., Ltd. Certifies that Model RCB shown on pages 9-32 is licensed to bear the AMCA Seal. The ratings shown are based on tests and procedures performed in accordance with AMCA Publication 211 and AMCA Publication 311 and comply with the requirements of the AMCA Certified Ratings Program.

RCB Series



 **US LISTED**
POWER VENTILATOR
45GD

RCB Series are listed for electrical
(UL/cUL 705) File no. E323432

ROOF CENTRIFUGAL FAN

with Backward Inclined Wheels



GLOBALY RECOGNIZED CERTIFICATIONS AND STANDARDS



Ventilation Performance and Smoke management Laboratory

Any series of ventilation products such as fans, dampers required performance and quality requirements, can be provided by the laboratory for a full range of testing services. Technical requirements with an independent and impartial implementation for each test was supervision under by TAF, hence, all the domestic public works and fire safety related with ventilation products, do not have to shift the products to oversea for testing, and those owners and consultants would not have the trouble for witnessed commuting to foreign countries any more, this even saving more time and costs.



The only UL certification LAB. in ASIA.



TUV certificates



TAF LAB certificates



Fan Performance Testing Facility

Standards	
AMCA 210	BS 848-1
ISO 5801	DIN 24163-2

Smoke Damper Leakage Testing Facility

Standards	
AMCA 500	ISO 10294
UL 555S	GB 15930

Louver Pressure Drop Testing Facility

Standards
AMCA 500

Silencer / Acoustical Louver Testing Facility

Standards	
ASTM-E477	ISO 7235

Jet Fan Thrust Testing Facility

Standards	
ISO 13350	BS 848-10

Fire Damper Testing Facility

Standards
UL 555

Standards	AMCA 210	ASHRAE 149	BS 848-10	ISO 7235
	AMCA 300	DIN 24163-2	GA 211	ISO 10294
	AMCA 500	BS 7346-2	GB 15930	ISO 13350
	AS 4429	BS 848-1	EN 12101-3	UL 555
	ASTM-E477	BS 848-2	ISO 5801	UL 555S



Exhaust Duct exit of Reverberant



Multiple Nozzles for Flow Measurement



Silencer in Exhaust Duct

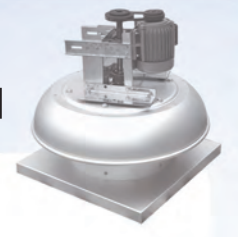


Reverberant Room
360°Routing Microphone in Reverberant

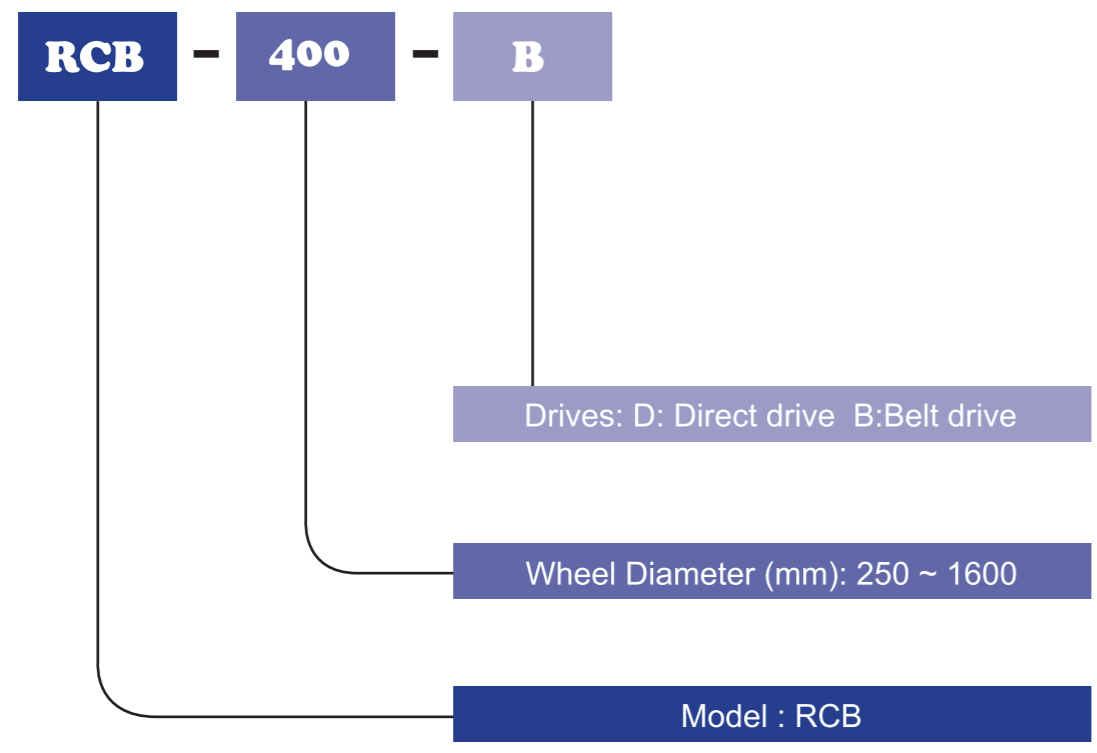


Flow Straightener

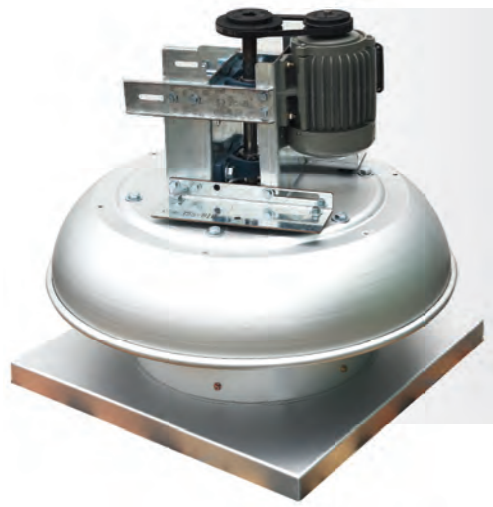




Designation, Formula signs

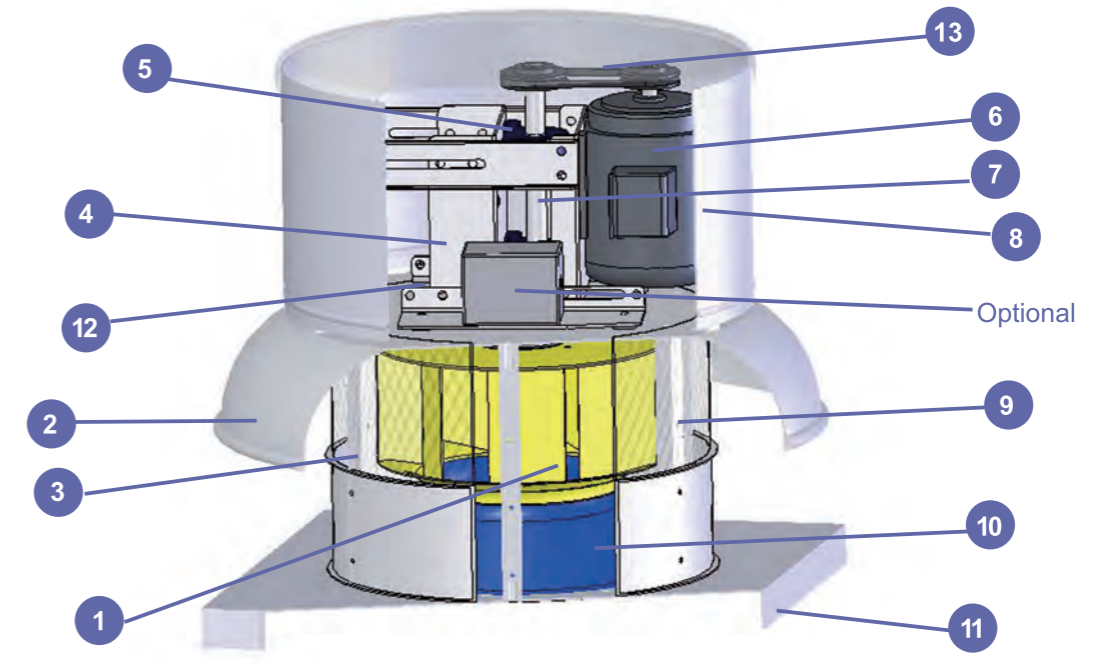


RCB Series Roof centrifugal fan for type B and D

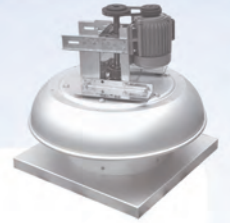


Type B and D centrifugal roof exhaust fans provide the industry's best performance and durability for general clean air applications.

TECHNICAL SPECIFICATION



- 1. **Wheels** are non overloading, backward inclined centrifugal type. Wheel cones are carefully matched to the venture for maximum efficiency. Each wheel are statically and dynamically balanced to ISO 1940 and AMCA 204-G2.5 standards. Centrifugal Wheel is made of mild steel \ stainless steel \ aluminum alloy or others, and could be anodized film and painted.
- 2. The **fan shroud** is constructed of heavy gauge aluminum alloy, stainless steel or others with a rolled bear for additional strength. The curb cap and integral deep spun vent are attached to the windband and also constructed of aluminum alloy, steel or others. The fan shroud also could be anodized film and painted to prevent corrosion.
- 3. **Fan supporting**, Used to join fan shroud and base.
- 4. The **drive frame, bearing plate and motor plate** are constructed of steel. Belt adjustment is accomplished by loosening fasteners, sliding the motor plate to the desired position (on a self aligning rail), and retightening fasteners.
- 5. **Bearings** basic rating level according to AFBMA. Designed for minimum L10 life in excess 45,000 hours , L50 life in excess 225,000 hours. Bearing are selected for continuous operation and ample size for best possible operating results.



TECHNICAL SPECIFICATION

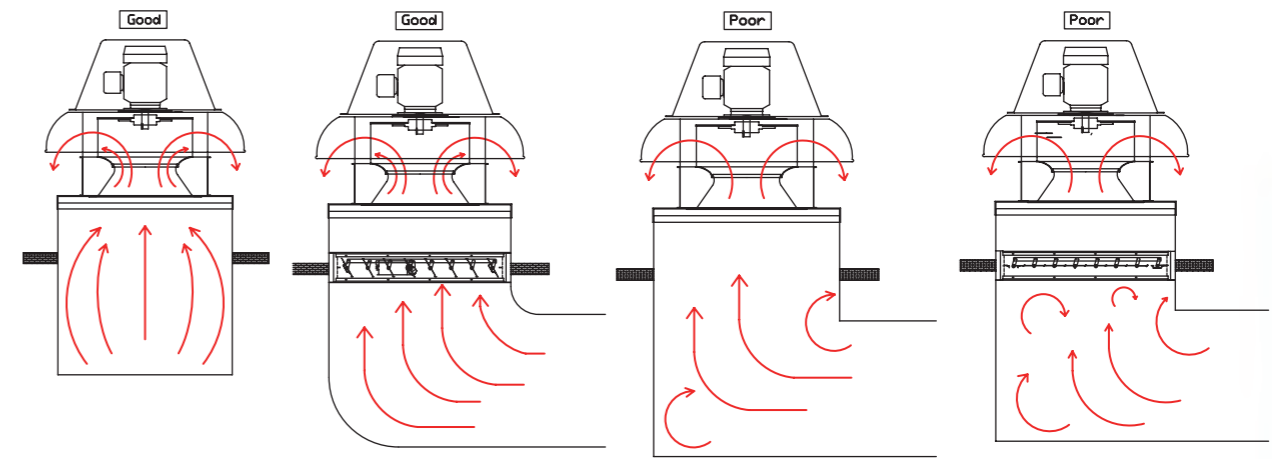
- 6. **Motor** - Carefully matched to the fan load and is mounted out of air stream. Less transferring inertia, more accelerating torque, that can improve working efficiency for starting, stopping with frequent machine. Adopt IEC (International Electrotechnical Commission) and NEMA (National Electrical Manufacturers Association) standard size. Adopt heat-resistant, water tolerance, E/B/F grade insulating material able to bear chemistry, the safe durable life-span is the longest.
- 7. **Fan Shaft** - Is precisely sized, ground, and polished so the first critical speed is at least 25% over the maximum operating speed. Where the shaft makes contact with bearings, close tolerances result in longer bearing life. Shafts are manufactured from ISO C45(JIS S45C;AISI C1045) carbon steel, stainless steel or others then coated with an anti-corrosion varnish after assembly.
- 8. **Motor Cover** - Constructed of aluminum alloy \ stainless steel or others, the motor cover also could be anodized film and painted to prevent corrosion, machine punched and attached with stainless steel hardware for easy removal and access to motor compartment and drive assembly.
- 9. A **birdscreen**. The birdscreen produces minimal effect on air. And sound performance. The size may be 10~20 mm square mesh or another size. The birdscreen material could be galvanized sheet metal or stainless steel.
- 10. **Inletbell**. The airflow entering from here. Constructed of aluminum alloy, stainless steel or others. The aerodynamically inletcones are bolted in and guarantee a perfect inlet stream onto the impeller. Inletbell also could be anodized film and painted to prevent corrosion.
- 11. **Fan base**. Connected with building. Mounting holes are pre punched for ease of installation. Constructed of aluminum alloy, stainless steel or others. The fan base could be anodized film and painted to prevent corrosion.
- 12. **Vibration isolators**. Support the drive assembly and wheel without steel to steel contact providing long life and quiet operation. Internal shock absorbers.
- 13. **Belt and Drive**(Belt units only). Belts shall be heat and oil resistant, non-static type. Drives shall be precision machined cast iron type, keyed and securely attached to the wheel and motor shafts. Drives shall be sized for 150% of the installed motor horsepower.

Additional component

Disconnect Switch-It has two kinds of model, one is no fuse switch, another is cut out switch.

Fan Inlet Connections

In order to assure proper fan performance, caution must be exercised in fan placement and connection to the ventilation system. Obstructions, transitions, poorly designed elbows, improperly selected dampers, etc., can cause reduced performance, excessive noise, and increased mechanical stress. For performance to be as published, the system must provide uniform and stable airflow into the fan.



Provide uniform airflow at fan inlet to assure optimum performance.

Provide uniform airflow at fan inlet and through the damper to assure optimum performance.

Avoid sharp turns or entrance conditions which cause uneven flow. Use turning vanes in elbows to reduce adverse effects.

Dampers must open fully. Use motorized dampers in low airflow applications to reduce losses.

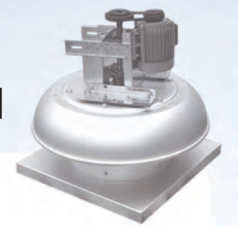
Explanation of symbols

Symbol	Appellation	Unit
Q	Air flow	m ³ /min
Ps	Static pressure	mmAq
H	Fan power requirement	kW
r	Density of the medium	Kg/m ³
LwoA	Sound power level at outlet , A-weighted	dB

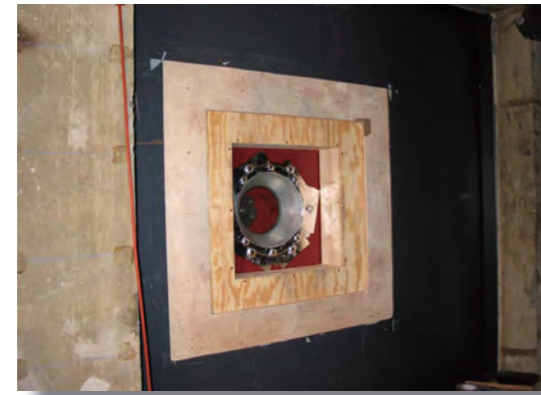
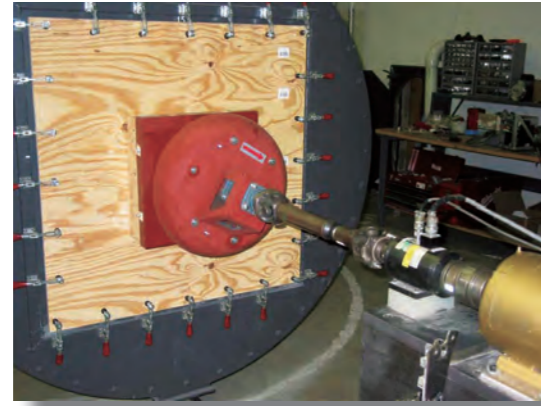


RCB Series Roof Centrifugal Fan

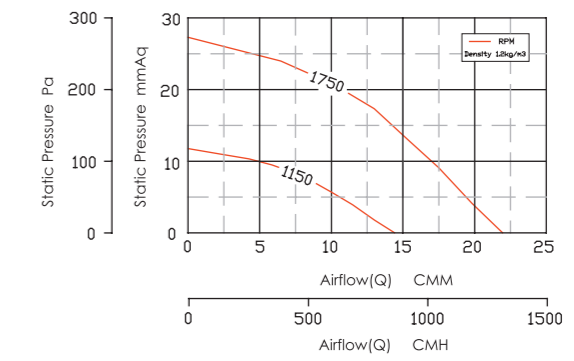
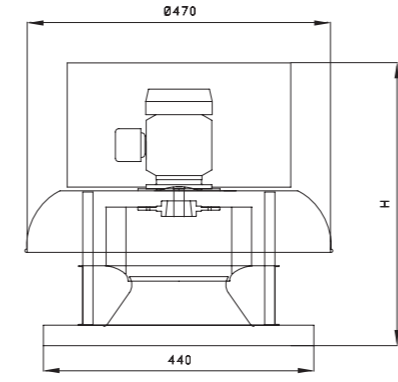
RCB Series FLOWTECH



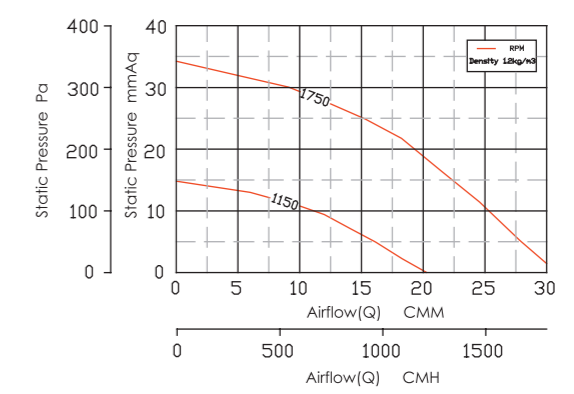
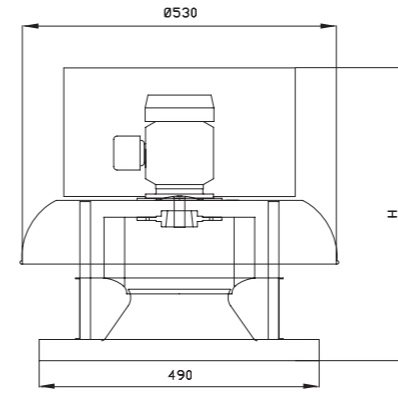
RCB Series Air and Sound Test In Laboratory



RCB - 250 - D



RCB - 280 - D



- Dimensions shown in millimeters
- Motor cover is optional. Dimensions may vary with motor size.
- H dimensions may vary with motor size.

- Q : cmm
- Ps : mmAq
- H : KW
- r : 1.2kg/m³

Model Size	RPM		STATIC PRESSURE (Ps)				
			5	10	20	30	40
RCB-250-D	1150	Q , CMM	10.60	4.75			
		H , KW	0.03	0.03			
		LwoA , dB	65	68			
RCB-250-D	1750	Q , CMM	19.41	17.00	10.69		
		H , KW	0.12	0.12	0.11		
		LwoA , dB	77	76	73		
RCB-280-D	1150	Q , CMM	16.08	11.13			
		H , KW	0.06	0.06			
		LwoA , dB	69	70			
RCB-280-D	1750	Q , CMM	27.95	25.32	19.31	9.18	
		H , KW	0.21	0.21	0.20	0.17	
		LwoA , dB	81	80	80	83	

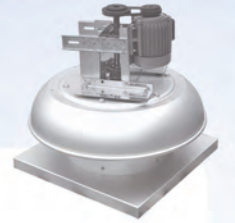
-Performance certified is for Installation type A-Free inlet , Free outlet. Performance rating do not include the effects of appurtenances (accessories). Power rating(KW) does not include transmission losses.
 -The A-weighted sound ratings shown have been calculated per AMCA International Standard 301. Values Shown are for outlet LwoA (dB) sound power levels for installation type A-Free inlet, Free outlet . The sound power level ratings shown are in decibels, referred to 10⁻¹² watts, calculated per AMCA Standard 301.

LwoA : Sound power level at outlet, A-weighted

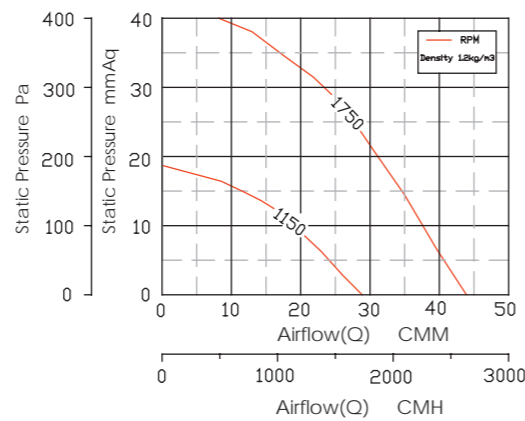
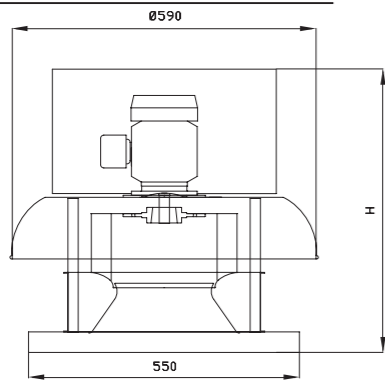


RCB Series Roof Centrifugal Fan

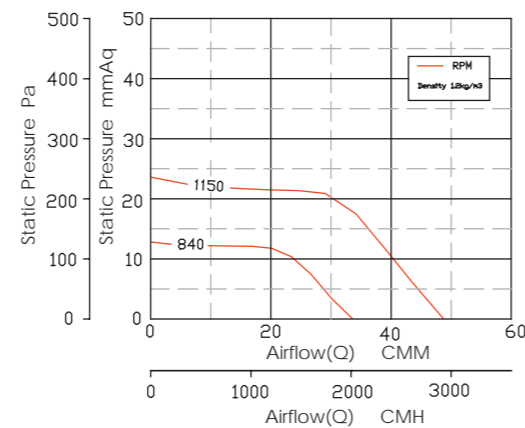
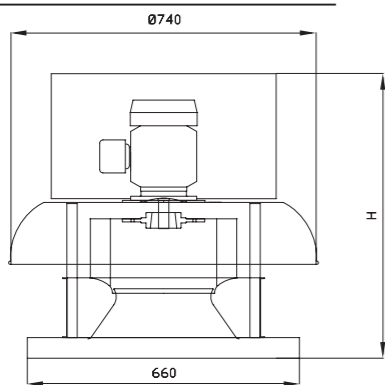
RCB Series



RCB - 315 - D



RCB - 355 - D



- Dimensions shown in millimeters
- Motor cover is optional. Dimensions may vary with motor size.
- H dimensions may vary with motor size.

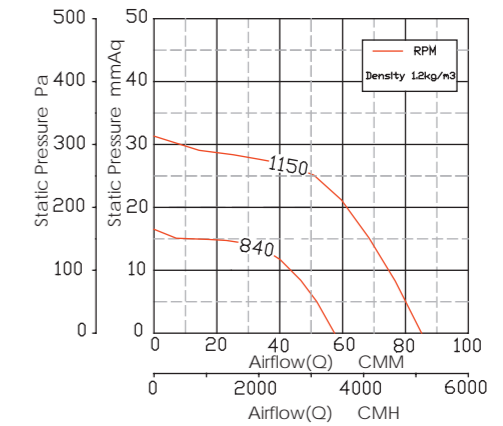
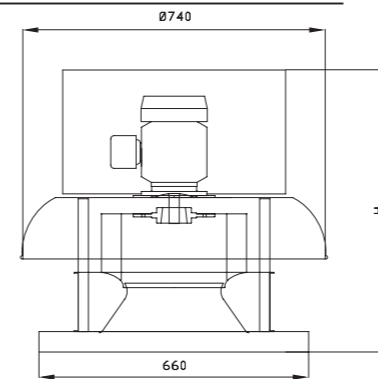
■ Q : cmm ■ Ps : mmAq
 ■ H : KW ■ r : 1.2kg/m³

Model Size	RPM		STATIC PRESSURE (Ps)				
			5	10	20	30	40
RCB-315-D	1150	Q, CMM	24.11	19.04			
		H, KW	0.11	0.10			
		LwoA, dB	73	72			
RCB-315-D	1750	Q, CMM	40.66	37.61	31.14	23.38	8.18
		H, KW	0.39	0.38	0.37	0.35	0.28
		LwoA, dB	84	84	83	85	86
RCB-355-D	840	Q, CMM	28.76	23.83			
		H, KW	0.09	0.09			
		LwoA, dB	68	66			
RCB-355-D	1150	Q, CMM	44.47	40.39	30.41		
		H, KW	0.18	0.18	0.20		
		LwoA, dB	77	77	75		

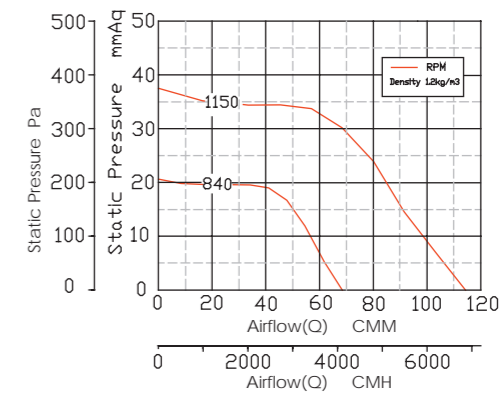
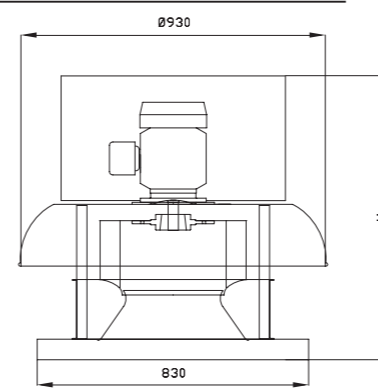
-Performance certified is for Installation type A-Free inlet, Free outlet. Performance rating do not include the effects of appurtenances (accessories). Power rating(KW) does not include transmission losses.
 -The A-weighted sound ratings shown have been calculated per AMCA International Standard 301. Values Shown are for outlet LwoA (dB) sound power levels for installation type A-Free inlet, Free outlet. The sound power level ratings shown are in decibels, referred to 10⁻¹² watts, calculated per AMCA Standard 301.

LwoA : Sound power level at outlet, A-weighted

RCB - 400 - D



RCB - 450 - D



- Dimensions shown in millimeters
- Motor cover is optional. Dimensions may vary with motor size.
- H dimensions may vary with motor size.

■ Q : cmm ■ Ps : mmAq
 ■ H : KW ■ r : 1.2kg/m³

Model Size	RPM		STATIC PRESSURE (Ps)				
			5	10	20	30	40
RCB-400-D	840	Q, CMM	51.80	42.92			
		H, KW	0.15	0.15			
		LwoA, dB	71	70			
RCB-400-D	1150	Q, CMM	80.08	74.66	61.33		
		H, KW	0.36	0.38	0.39		
		LwoA, dB	80	79	79		
RCB-450-D	840	Q, CMM	61.92	56.47			
		H, KW	0.28	0.29			
		LwoA, dB	74	73			
RCB-450-D	1150	Q, CMM	106.34	98.50	84.80		
		H, KW	0.57	0.58	0.59		
		LwoA, dB	84	83	82		

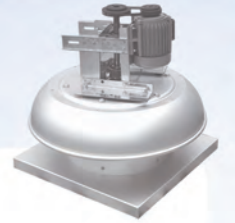
-Performance certified is for Installation type A-Free inlet, Free outlet. Performance rating do not include the effects of appurtenances (accessories). Power rating(KW) does not include transmission losses.
 -The A-weighted sound ratings shown have been calculated per AMCA International Standard 301. Values Shown are for outlet LwoA (dB) sound power levels for installation type A-Free inlet, Free outlet. The sound power level ratings shown are in decibels, referred to 10⁻¹² watts, calculated per AMCA Standard 301.

LwoA : Sound power level at outlet, A-weighted

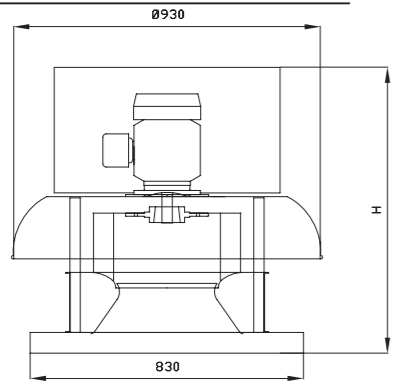


RCB Series Roof Centrifugal Fan

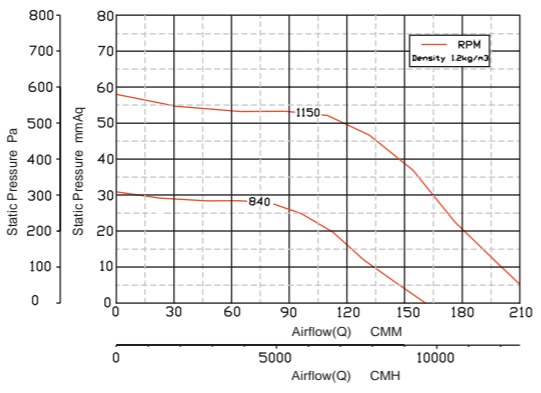
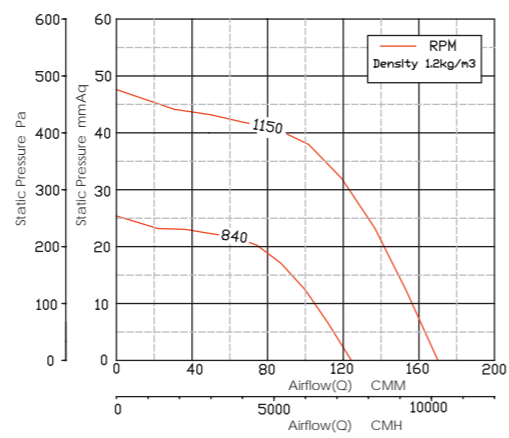
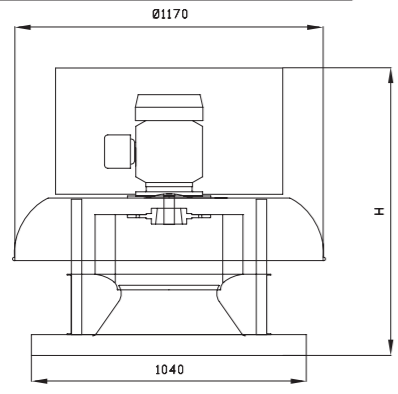
RCB Series FLOWTECH



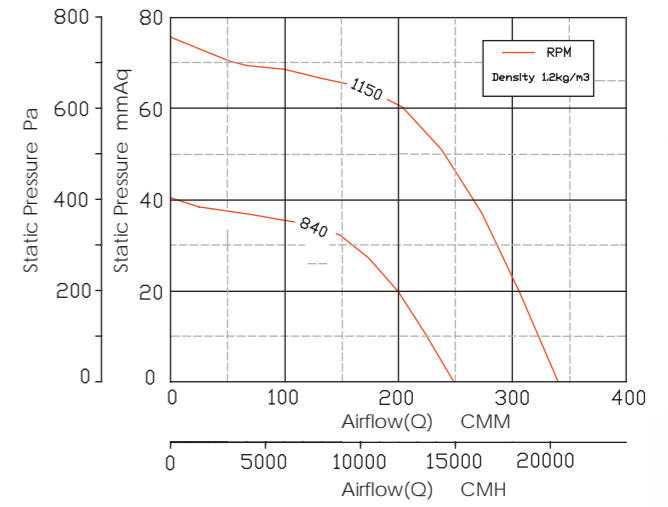
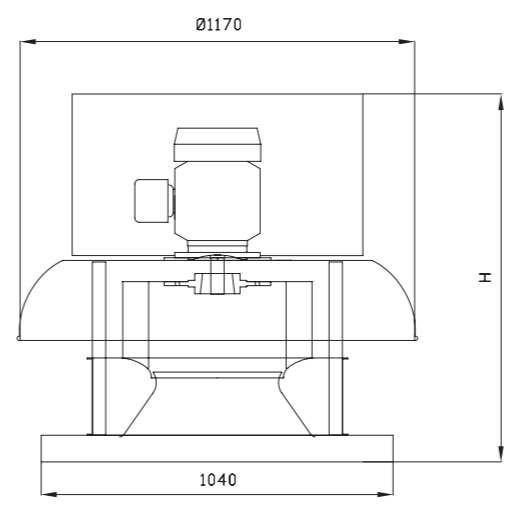
RCB - 500 - D



RCB - 560 - D



RCB - 630 - D



- Dimensions shown in millimeters
- Motor cover is optional. Dimensions may vary with motor size.
- H dimensions may vary with motor size.

■ Q : cmm ■ Ps : mmAq
 ■ H : KW ■ r : 1.2kg/m³

Model Size	RPM		STATIC PRESSURE (Ps)					
			5	10	20	30	40	50
RCB-500-D	840	Q , CMM	114.89	104.84	75.33			
		H , KW	0.40	0.42	0.42			
		LwoA ,dB	77	77	75			
RCB-500-D	1150	Q , CMM	163.27	156.43	141.63	123.15	88.90	
		H , KW	0.99	1.03	1.09	1.11	0.99	
		LwoA ,dB	87	86	86	86	84	
RCB-560-D	840	Q , CMM	147.35	134.06	111.84			
		H , KW	0.67	0.68	0.69			
		LwoA ,dB	81	81	79			
RCB-560-D	1150	Q , CMM	210.34	200.49	181.10	164.90	147.26	
		H , KW	1.67	1.72	1.75	1.77	1.77	
		LwoA ,dB	91	90	90	89	88	

-Performance certified is for Installation type A-Free inlet , Free outlet. Performance rating do not include the effects of appurtenances (accessories). Power rating(KW) does not include transmission losses.
 -The A-weighted sound ratings shown have been calculated per AMCA International Standard 301. Values Shown are for outlet LwoA (dB) sound power levels for installation type A-Free inlet, Free outlet . The sound power level ratings shown are in decibels, referred to 10⁻¹² watts, calculated per AMCA Standard 301.

LwoA : Sound power level at outlet, A-weighted

- Dimensions shown in millimeters
- Motor cover is optional. Dimensions may vary with motor size.
- H dimensions may vary with motor size.

■ Q : cmm ■ Ps : mmAq
 ■ H : KW ■ r : 1.2kg/m³

Model Size	RPM		STATIC PRESSURE (Ps)					
			5	10	20	30	40	50
RCB-630-D	840	Q , CMM	236.76	224.96	198.72	159.50		
		H , KW	1.23	1.29	1.37	1.40		
		LwoA , dB	85	84	84	83		
RCB-630-D	1150	Q , CMM	331.67	323.05	305.72	286.65	265.69	240.33
		H , KW	3.09	3.17	3.33	3.44	3.52	3.52
		LwoA , dB	94	94	93	93	93	93

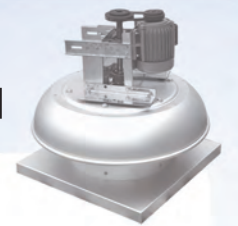
-Performance certified is for Installation type A-Free inlet , Free outlet. Performance rating do not include the effects of appurtenances (accessories). Power rating(KW) does not include transmission losses.
 -The A-weighted sound ratings shown have been calculated per AMCA International Standard 301. Values Shown are for outlet LwoA (dB) sound power levels for installation type A-Free inlet, Free outlet . The sound power level ratings shown are in decibels, referred to 10⁻¹² watts, calculated per AMCA Standard 301.

LwoA : Sound power level at outlet, A-weighted



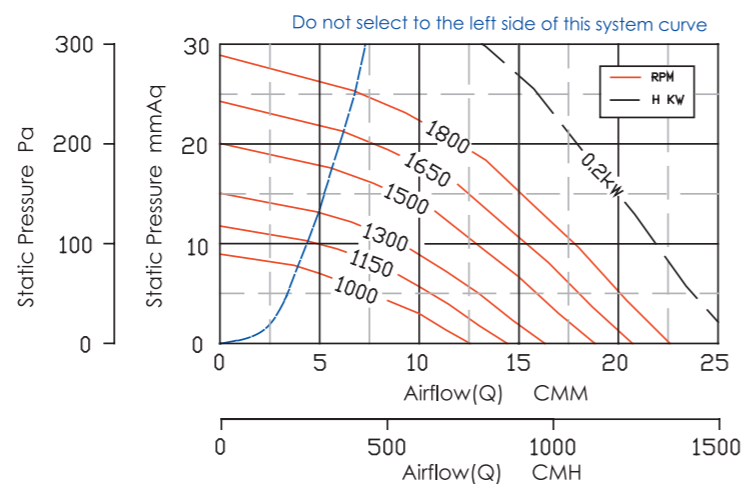
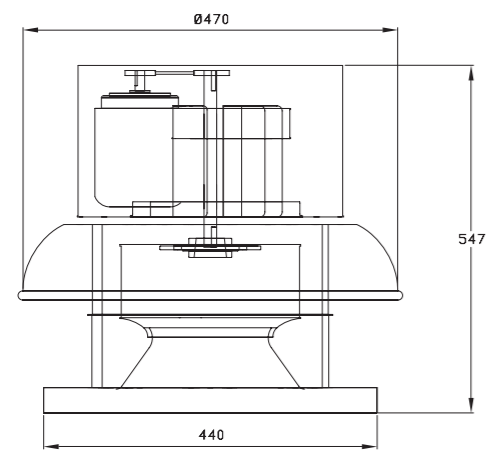
RCB Series Roof Centrifugal Fan

RCB Series FLOWTECH



RCB - 250 - B

WHEEL : 250 mm OUTLET : 0.076 m² (outside area)



- Dimensions shown in millimeters
- Motor cover is optional. Dimensions may vary with motor size.

- Q : cmm ■ Ps : mmAq
- H : KW ■ r : 1.2kg/m³

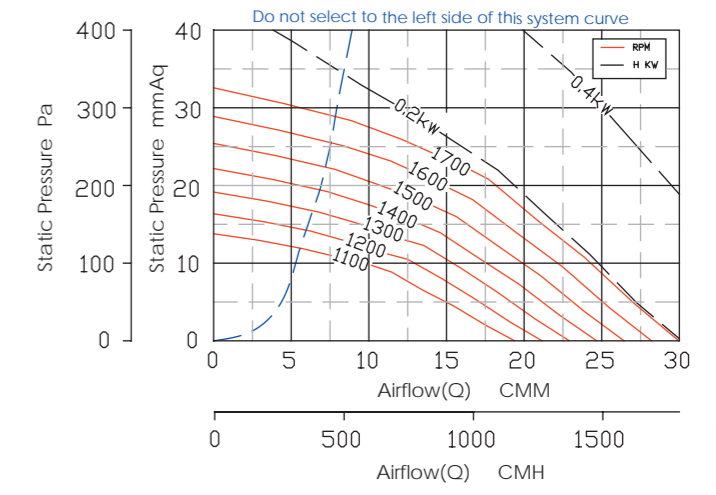
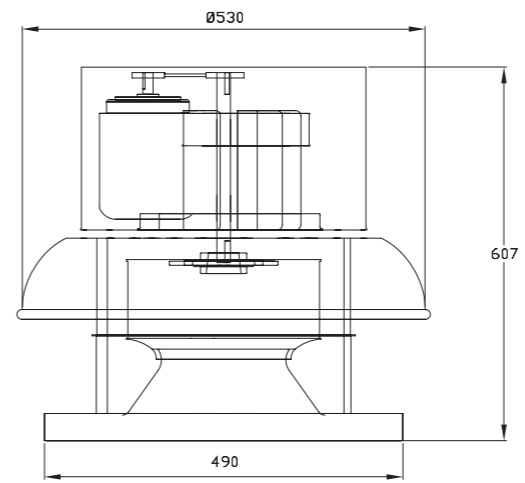
RPM		STATIC PRESSURE (Ps)					
		5	10	20	30	40	50
1050	Q , CMM	8.92					
	H , KW	0.03					
	LwoA , dB	62					
1200	Q , CMM	11.42	6.20				
	H , KW	0.04	0.03				
	LwoA , dB	66	68				
1350	Q , CMM	13.75	10.24				
	H , KW	0.05	0.05				
	LwoA , dB	70	69				
1500	Q , CMM	15.91	12.87				
	H , KW	0.08	0.07				
	LwoA , dB	72	71				
1650	Q , CMM	18.03	15.38	7.38			
	H , KW	0.10	0.10	0.09			
	LwoA , dB	75	74	71			
1800	Q , CMM	20.10	17.79	12.01			
	H , KW	0.13	0.13	0.12			
	LwoA , dB	77	77	74			
2000	Q , CMM	22.83	20.76	16.10	8.45		
	H , KW	0.18	0.18	0.17	0.15		
	LwoA , dB	81	80	80	83		

-Performance certified is for Installation type A-Free inlet , Free outlet. Performance rating do not include the effects of appurtenances (accessories). Power rating(KW) does not include transmission losses.
 -The A-weighted sound ratings shown have been calculated per AMCA International Standard 301. Values Shown are for outlet LwoA (dB) sound power levels for installation type A-Free inlet, Free outlet . The sound power level ratings shown are in decibels, referred to 10⁻¹² watts, calculated per AMCA Standard 301.

LwoA : Sound power level at outlet, A-weighted

RCB - 280 - B

WHEEL : 280 mm OUTLET : 0.096 m² (outside area)



- Dimensions shown in millimeters
- Motor cover is optional. Dimensions may vary with motor size.

- Q : cmm ■ Ps : mmAq
- H : KW ■ r : 1.2kg/m³

RPM		STATIC PRESSURE (Ps)					
		5	10	20	30	40	50
1000	Q , CMM	12.67					
	H , KW	0.04					
	LwoA , dB	61					
1100	Q , CMM	14.97	9.23				
	H , KW	0.05	0.05				
	LwoA , dB	63	67				
1200	Q , CMM	17.13	12.71				
	H , KW	0.07	0.06				
	LwoA , dB	66	68				
1350	Q , CMM	20.18	16.39				
	H , KW	0.10	0.09				
	LwoA , dB	70	70				
1500	Q , CMM	23.14	19.90	10.31			
	H , KW	0.13	0.13	0.12			
	LwoA , dB	72	71	69			
1650	Q , CMM	26.03	23.25	16.55			
	H , KW	0.18	0.17	0.16			
	LwoA , dB	75	74	71			
1800	Q , CMM	28.91	26.34	20.55	11.17		
	H , KW	0.23	0.23	0.22	0.20		
	LwoA , dB	77	77	74	73		

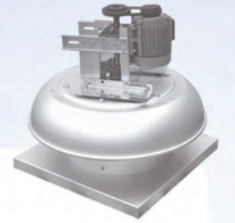
-Performance certified is for Installation type A-Free inlet , Free outlet. Performance rating do not include the effects of appurtenances (accessories). Power rating(KW) does not include transmission losses.
 -The A-weighted sound ratings shown have been calculated per AMCA International Standard 301. Values Shown are for outlet LwoA (dB) sound power levels for installation type A-Free inlet, Free outlet . The sound power level ratings shown are in decibels, referred to 10⁻¹² watts, calculated per AMCA Standard 301.

LwoA : Sound power level at outlet, A-weighted



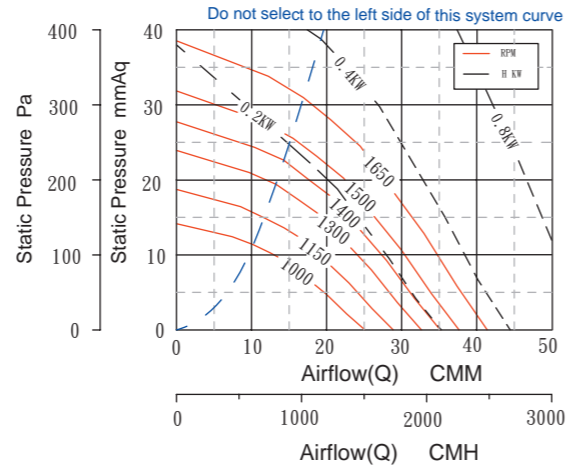
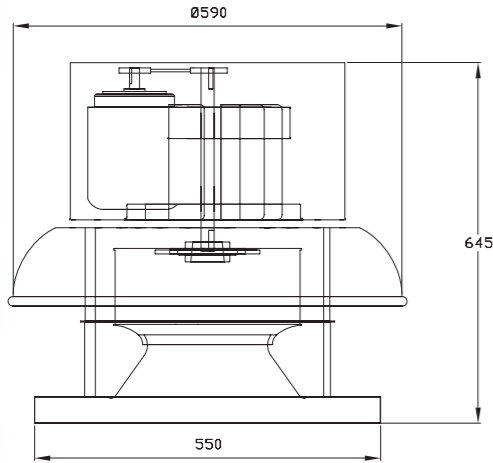
RCB Series Roof Centrifugal Fan

RCB Series FLOWTECH



RCB - 315 - B

WHEEL : 315 mm OUTLET : 0.120 m² (outside area)



- Dimensions shown in millimeters
- Motor cover is optional. Dimensions may vary with motor size.

■ Q : cmm ■ Ps : mmAq
■ H : KW ■ r : 1.2kg/m³

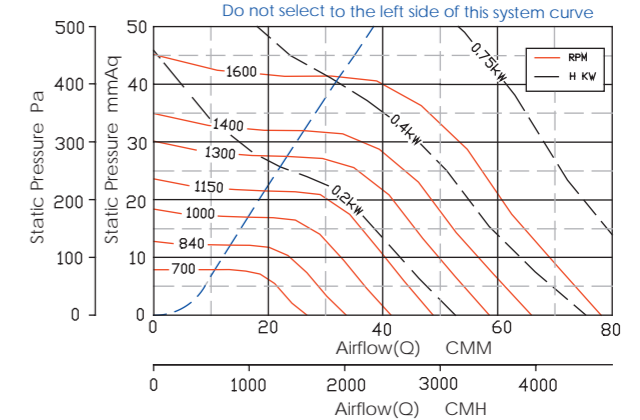
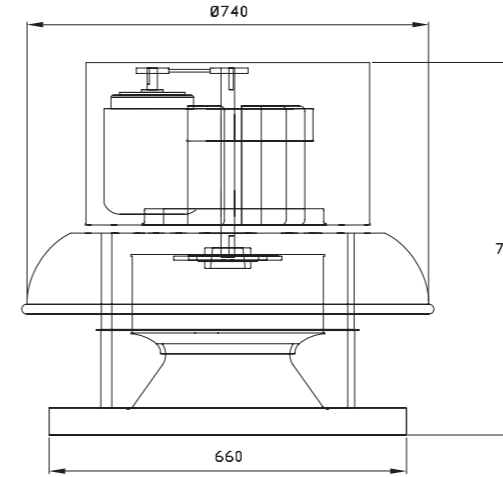
RPM		STATIC PRESSURE (Ps)					
		5	10	20	30	40	50
1000	Q , CMM	19.65	12.98				
	H , KW	0.07	0.06				
	LwoA , dB	69	70				
1100	Q , CMM	22.66	17.28				
	H , KW	0.09	0.09				
	LwoA , dB	71	72				
1200	Q , CMM	25.54	20.75				
	H , KW	0.12	0.12				
	LwoA , dB	74	73				
1350	Q , CMM	29.74	25.73	14.14			
	H , KW	0.18	0.17	0.15			
	LwoA , dB	77	76	79			
1500	Q , CMM	33.86	30.42	22.45			
	H , KW	0.24	0.24	0.22			
	LwoA , dB	80	80	80			
1650	Q , CMM	37.95	34.77	27.74	17.08		
	H , KW	0.32	0.32	0.30	0.28		
	LwoA , dB	83	82	82	84		
1750	Q , CMM	40.66	37.61	31.14	23.38	8.18	
	H , KW	0.39	0.38	0.37	0.35	0.28	
	LwoA , dB	84	84	83	85	86	

-Performance certified is for Installation type A-Free inlet , Free outlet. Performance rating do not include the effects of appurtenances (accessories). Power rating(KW) does not include transmission losses.
 -The A-weighted sound ratings shown have been calculated per AMCA International Standard 301. Values Shown are for outlet LwoA (dB) sound power levels for installation type A-Free inlet, Free outlet . The sound power level ratings shown are in decibels, referred to 10⁻¹² watts, calculated per AMCA Standard 301.

LwoA : Sound power level at outlet, A-weighted

RCB - 355 - B

WHEEL : 355 mm OUTLET : 0.284 m² (outside area)



- Dimensions shown in millimeters
- Motor cover is optional. Dimensions may vary with motor size.

■ Q : cmm ■ Ps : mmAq
■ H : KW ■ r : 1.2kg/m³

RPM		STATIC PRESSURE (Ps)					
		5	10	20	30	40	50
850	Q , CMM	29.27	24.42				
	H , KW	0.09	0.10				
	LwoA , dB	68	66				
950	Q , CMM	34.35	30.04				
	H , KW	0.12	0.12				
	LwoA , dB	71	71				
1100	Q , CMM	41.95	37.85	18.75			
	H , KW	0.16	0.17	0.14			
	LwoA , dB	76	75	73			
1250	Q , CMM	50.54	46.34	38.12			
	H , KW	0.23	0.23	0.24			
	LwoA , dB	79	79	78			
1350	Q , CMM	57.66	53.21	45.10	16.06		
	H , KW	0.29	0.30	0.31	0.21		
	LwoA , dB	82	81	81	79		
1500	Q , CMM	68.38	63.63	55.17	45.93		
	H , KW	0.38	0.39	0.40	0.40		
	LwoA , dB	84	84	83	82		
1600	Q , CMM	73.56	69.09	60.75	53.38	39.98	
	H , KW	0.46	0.48	0.49	0.49	0.46	
	LwoA , dB	86	86	85	84	83	

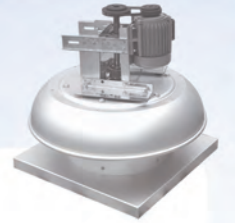
-Performance certified is for Installation type A-Free inlet , Free outlet. Performance rating do not include the effects of appurtenances (accessories). Power rating(KW) does not include transmission losses.
 -The A-weighted sound ratings shown have been calculated per AMCA International Standard 301. Values Shown are for outlet LwoA (dB) sound power levels for installation type A-Free inlet, Free outlet . The sound power level ratings shown are in decibels, referred to 10⁻¹² watts, calculated per AMCA Standard 301.

LwoA : Sound power level at outlet, A-weighted

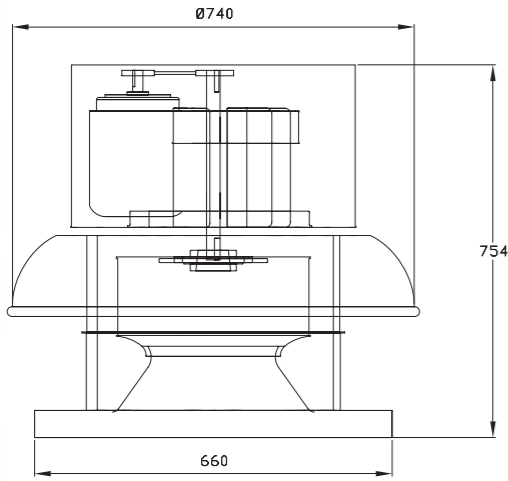


RCB Series Roof Centrifugal Fan

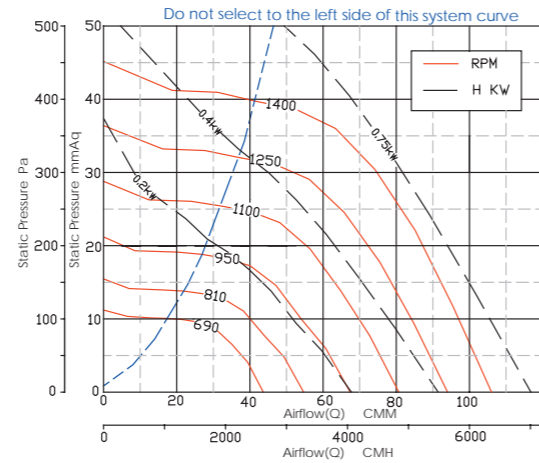
RCB Series FLOWTECH



RCB - 400 - B



WHEEL : 400 mm OUTLET : 0.221 m² (outside area)



- Dimensions shown in millimeters
- Motor cover is optional. Dimensions may vary with motor size.

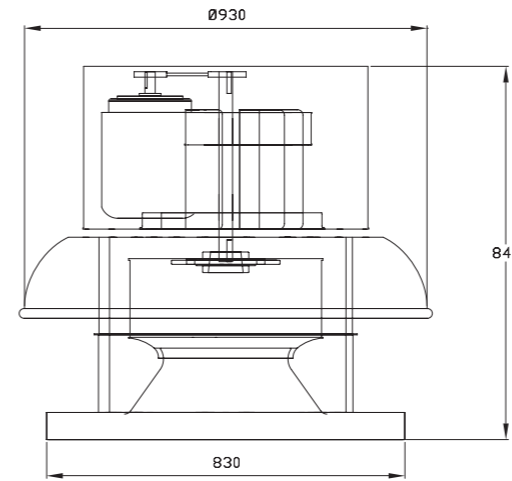
- Q : cmm ■ Ps : mmAq
- H : KW ■ r : 1.2kg/m³

RPM		STATIC PRESSURE (Ps)					
		5	10	20	30	40	50
750	Q , CMM	43.35	33.78				
	H , KW	0.11	0.11				
	LwoA , dB	67	65				
840	Q , CMM	51.80	42.92				
	H , KW	0.15	0.15				
	LwoA , dB	71	70				
1000	Q , CMM	66.42	59.55	38.09			
	H , KW	0.25	0.26	0.23			
	LwoA , dB	75	75	72			
1150	Q , CMM	80.08	74.66	61.33			
	H , KW	0.36	0.38	0.39			
	LwoA , dB	80	79	79			
1250	Q , CMM	89.11	84.14	72.30	51.94		
	H , KW	0.44	0.46	0.48	0.44		
	LwoA , dB	83	82	82	80		
1350	Q , CMM	97.58	92.92	82.69	68.07		
	H , KW	0.53	0.55	0.58	0.58		
	LwoA , dB	84	84	84	83		
1500	Q , CMM	109.41	105.22	96.23	85.53	70.33	
	H , KW	0.72	0.74	0.79	0.81	0.78	
	LwoA , dB	88	87	88	88	87	

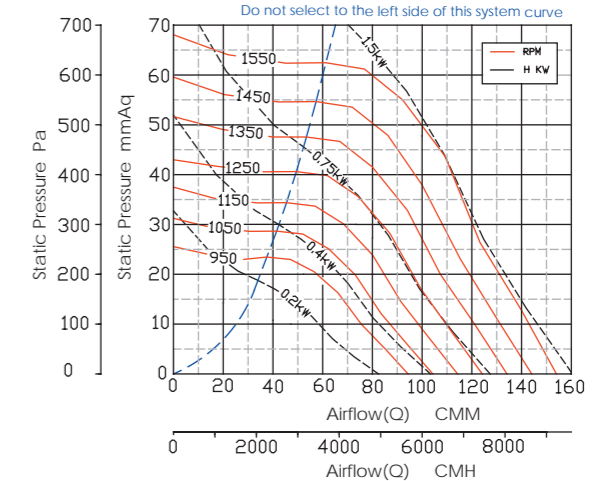
-Performance certified is for Installation type A-Free inlet , Free outlet. Performance rating do not include the effects of appurtenances (accessories). Power rating(KW) does not include transmission losses.
 -The A-weighted sound ratings shown have been calculated per AMCA International Standard 301. Values Shown are for outlet LwoA (dB) sound power levels for installation type A-Free inlet, Free outlet . The sound power level ratings shown are in decibels, referred to 10⁻¹² watts, calculated per AMCA Standard 301.

LwoA : Sound power level at outlet, A-weighted

RCB - 450 - B



WHEEL : 450 mm OUTLET : 0.402 m² (outside area)



- Dimensions shown in millimeters
- Motor cover is optional. Dimensions may vary with motor size.

- Q : cmm ■ Ps : mmAq
- H : KW ■ r : 1.2kg/m³

RPM		STATIC PRESSURE (Ps)						
		5	10	20	30	40	50	60
950	Q , CMM	84.81	75.42	57.75				
	H , KW	0.33	0.33	0.34				
	LwoA , dB	78	78	76				
1040	Q , CMM	94.57	85.95	71.43				
	H , KW	0.42	0.43	0.44				
	LwoA , dB	81	80	79				
1150	Q , CMM	106.34	98.50	84.80	68.61			
	H , KW	0.57	0.58	0.59	0.58			
	LwoA , dB	84	83	82	81			
1260	Q , CMM	117.96	110.77	97.36	85.44			
	H , KW	0.74	0.76	0.78	0.78			
	LwoA , dB	87	86	85	84			
1350	Q , CMM	127.38	120.64	107.39	97.02			
	H , KW	0.91	0.94	0.96	0.96			
	LwoA , dB	89	88	88	87			
1460	Q , CMM	138.82	132.58	120.30	109.80	99.41		
	H , KW	1.14	1.17	1.20	1.21	1.22		
	LwoA , dB	91	90	90	89	88		
1550	Q , CMM	148.13	142.45	130.65	120.01	110.99	98.72	
	H , KW	1.36	1.40	1.43	1.45	1.46	1.44	
	LwoA , dB	92	92	92	91	91	90	

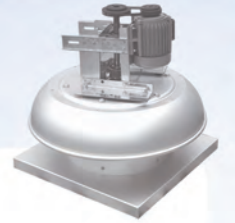
-Performance certified is for Installation type A-Free inlet , Free outlet. Performance rating do not include the effects of appurtenances (accessories). Power rating(KW) does not include transmission losses.
 -The A-weighted sound ratings shown have been calculated per AMCA International Standard 301. Values Shown are for outlet LwoA (dB) sound power levels for installation type A-Free inlet, Free outlet . The sound power level ratings shown are in decibels, referred to 10⁻¹² watts, calculated per AMCA Standard 301.

LwoA : Sound power level at outlet, A-weighted

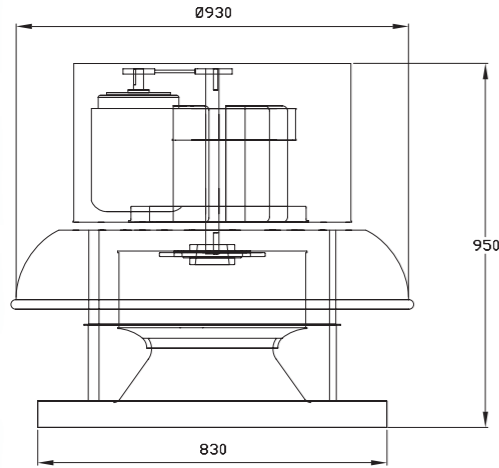


RCB Series Roof Centrifugal Fan

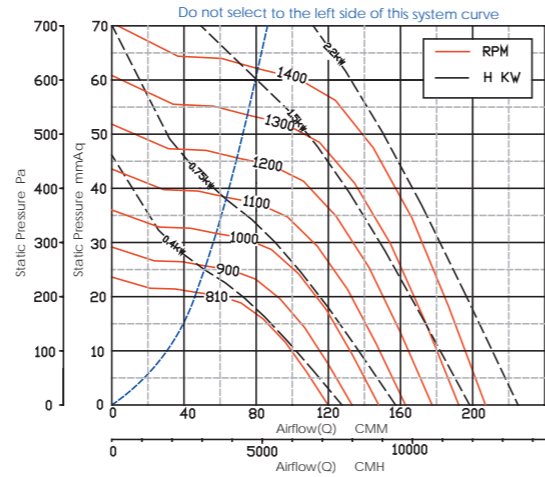
RCB Series FLOWTECH



RCB - 500 - B



WHEEL : 500 mm OUTLET : 0.374 m² (outside area)



- Dimensions shown in millimeters
- Motor cover is optional. Dimensions may vary with motor size.

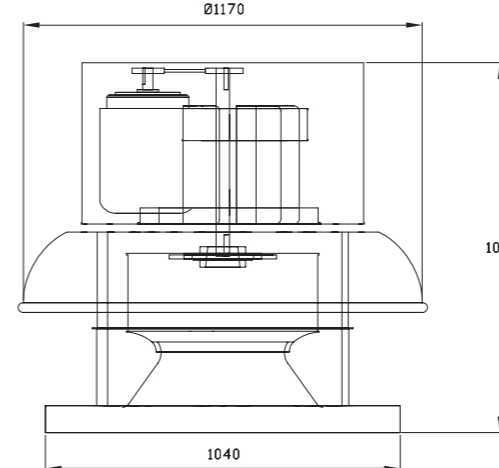
- Q : cmm ■ Ps : mmAq
- H : KW ■ r : 1.2kg/m³

RPM		STATIC PRESSURE (Ps)						
		5	10	20	30	40	50	60
750	Q , CMM	89.27	79.73					
	H , KW	0.34	0.35					
	LwoA , dB	74	74					
840	Q , CMM	114.89	104.84	75.33				
	H , KW	0.40	0.42	0.42				
	LwoA , dB	77	77	75				
950	Q , CMM	132.25	123.68	102.88				
	H , KW	0.57	0.60	0.62				
	LwoA , dB	81	81	80				
1050	Q , CMM	147.83	140.34	123.48	98.15			
	H , KW	0.76	0.79	0.84	0.82			
	LwoA , dB	84	84	83	82			
1150	Q , CMM	163.27	156.43	141.63	123.15			
	H , KW	0.99	1.03	1.09	1.11			
	LwoA , dB	87	86	86	86			
1300	Q , CMM	186.25	180.20	167.54	154.05	136.25		
	H , KW	1.42	1.46	1.54	1.60	1.60		
	LwoA , dB	91	90	90	90	90		
1400	Q , CMM	201.47	195.86	184.40	171.97	157.30	138.87	104.51
	H , KW	1.76	1.81	1.90	1.97	2.00	1.98	1.76
	LwoA , dB	92	92	92	92	93	92	90

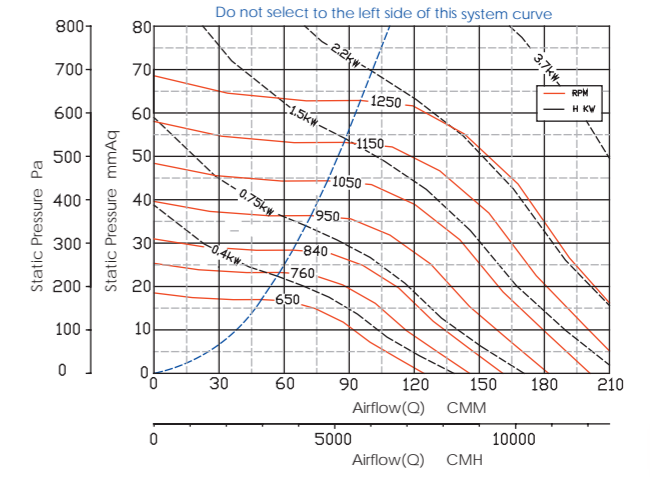
-Performance certified is for Installation type A-Free inlet , Free outlet. Performance rating do not include the effects of appurtenances (accessories). Power rating(KW) does not include transmission losses.
 -The A-weighted sound ratings shown have been calculated per AMCA International Standard 301. Values Shown are for outlet LwoA (dB) sound power levels for installation type A-Free inlet, Free outlet . The sound power level ratings shown are in decibels, referred to 10⁻¹² watts, calculated per AMCA Standard 301.

LwoA : Sound power level at outlet, A-weighted

RCB - 560 - B



WHEEL : 560 mm OUTLET : 0.633 m² (outside area)



- Dimensions shown in millimeters
- Motor cover is optional. Dimensions may vary with motor size.

- Q : cmm ■ Ps : mmAq
- H : KW ■ r : 1.2kg/m³

RPM		STATIC PRESSURE (Ps)						
		5	10	20	30	40	50	60
650	Q , CMM	107.12	92.09					
	H , KW	0.31	0.32					
	LwoA , dB	74	72					
760	Q , CMM	130.62	116.08	88.40				
	H , KW	0.50	0.51	0.50				
	LwoA , dB	78	78	76				
840	Q , CMM	147.35	134.06	111.84				
	H , KW	0.67	0.68	0.69				
	LwoA , dB	81	81	79				
950	Q , CMM	169.97	158.15	137.09	114.03			
	H , KW	0.95	0.98	1.00	0.99			
	LwoA , dB	85	85	84	82			
1050	Q , CMM	190.26	179.50	158.86	142.29	115.49		
	H , KW	1.28	1.32	1.34	1.36	1.31		
	LwoA , dB	88	88	87	86	85		
1150	Q , CMM	210.34	200.49	181.10	164.90	147.26		
	H , KW	1.67	1.72	1.75	1.77	1.77		
	LwoA , dB	91	90	90	89	88		
1300	Q , CMM	240.20	231.48	214.24	197.57	184.18	168.77	147.62
	H , KW	2.39	2.45	2.51	2.55	2.56	2.56	2.50
	LwoA , dB	94	94	94	93	92	92	91

-Performance certified is for Installation type A-Free inlet , Free outlet. Performance rating do not include the effects of appurtenances (accessories). Power rating(KW) does not include transmission losses.
 -The A-weighted sound ratings shown have been calculated per AMCA International Standard 301. Values Shown are for outlet LwoA (dB) sound power levels for installation type A-Free inlet, Free outlet . The sound power level ratings shown are in decibels, referred to 10⁻¹² watts, calculated per AMCA Standard 301.

LwoA : Sound power level at outlet, A-weighted



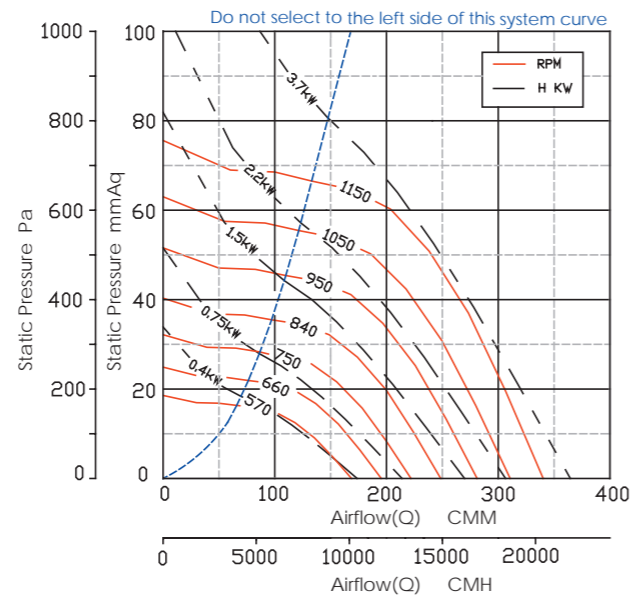
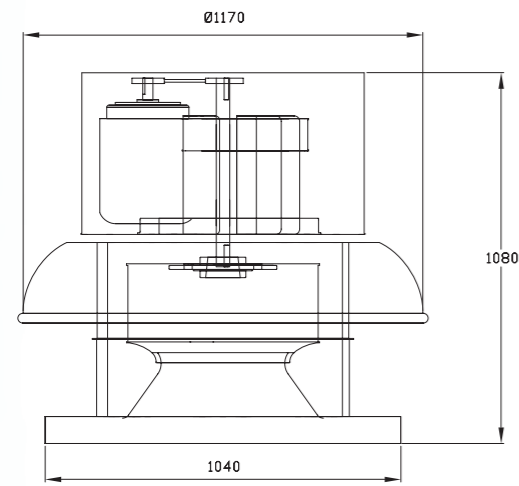
RCB Series Roof Centrifugal Fan

RCB Series FLOWTECH



RCB - 630 - B

WHEEL : 630 mm OUTLET : 0.552 m² (outside area)



- Dimensions shown in millimeters
- Motor cover is optional. Dimensions may vary with motor size.

- Q : cmm ■ Ps : mmAq
- H : KW ■ r : 1.2kg/m³

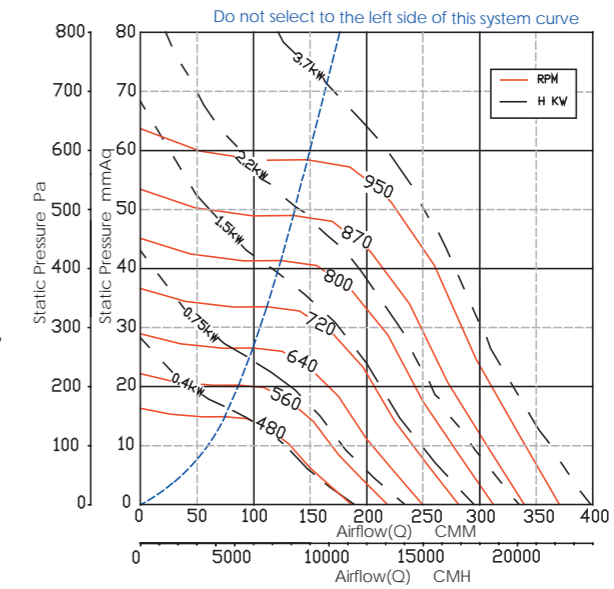
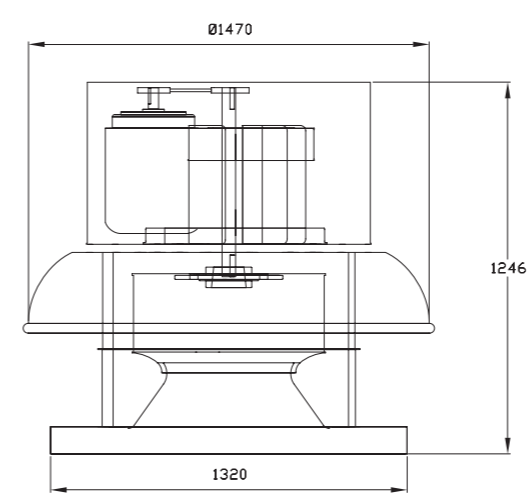
RPM		STATIC PRESSURE (Ps)						
		5	10	20	30	40	50	60
540	Q , CMM	141.16	118.38					
	H , KW	0.35	0.36					
	LwoA , dB	72	71					
630	Q , CMM	170.69	153.57	71.73				
	H , KW	0.54	0.57	0.45				
	LwoA , dB	76	76	71				
720	Q , CMM	199.29	184.83	116.80				
	H , KW	0.79	0.83	0.86				
	LwoA , dB	80	80	79				
840	Q , CMM	236.76	224.96	198.72	159.50			
	H , KW	1.23	1.29	1.37	1.40			
	LwoA , dB	85	84	84	83			
950	Q , CMM	270.68	260.24	237.89	211.18	173.14		
	H , KW	1.76	1.83	1.93	1.98	1.92		
	LwoA , dB	89	88	88	87	86		
1050	Q , CMM	301.26	291.82	272.19	251.31	224.10	186.79	
	H , KW	2.37	2.44	2.57	2.67	2.68	2.58	
	LwoA , dB	92	91	90	90	89		
1150	Q , CMM	331.67	323.05	305.72	286.65	265.69	240.33	204.49
	H , KW	3.09	3.17	3.33	3.44	3.52	3.52	3.39
	LwoA , dB	94	94	93	93	93	93	91

-Performance certified is for Installation type A-Free inlet , Free outlet. Performance rating do not include the effects of appurtenances (accessories). Power rating(KW) does not include transmission losses.
 -The A-weighted sound ratings shown have been calculated per AMCA International Standard 301. Values Shown are for outlet LwoA (dB) sound power levels for installation type A-Free inlet, Free outlet . The sound power level ratings shown are in decibels, referred to 10⁻¹² watts, calculated per AMCA Standard 301.

LwoA : Sound power level at outlet, A-weighted

RCB - 710 - B

WHEEL : 710 mm OUTLET : 1.003 m² (outside area)



- Dimensions shown in millimeters
- Motor cover is optional. Dimensions may vary with motor size.

- Q : cmm ■ Ps : mmAq
- H : KW ■ r : 1.2kg/m³

RPM		STATIC PRESSURE (Ps)						
		5	10	20	30	40	50	60
440	Q , CMM	139.33	120.41					
	H , KW	0.32	0.32					
	LwoA , dB	69	67					
520	Q , CMM	175.43	151.37					
	H , KW	0.53	0.54					
	LwoA , dB	74	73					
600	Q , CMM	210.21	186.84	142.45				
	H , KW	0.80	0.82	0.81				
	LwoA , dB	79	78	76				
680	Q , CMM	244.23	223.39	188.53				
	H , KW	1.15	1.18	1.21				
	LwoA , dB	82	82	80				
760	Q , CMM	277.67	258.92	225.18	189.77			
	H , KW	1.59	1.64	1.68	1.66			
	LwoA , dB	86	85	84	83			
840	Q , CMM	310.69	293.62	260.53	234.26	196.20		
	H , KW	2.14	2.20	2.25	2.27	2.21		
	LwoA , dB	89	88	88	87	86		
950	Q , CMM	355.60	340.47	310.65	284.38	261.15	226.05	
	H , KW	3.07	3.15	3.23	3.27	3.29	3.21	
	LwoA , dB	92	92	92	91	90	90	

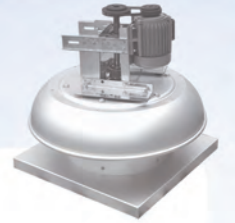
-Performance certified is for Installation type A-Free inlet , Free outlet. Performance rating do not include the effects of appurtenances (accessories). Power rating(KW) does not include transmission losses.
 -The A-weighted sound ratings shown have been calculated per AMCA International Standard 301. Values Shown are for outlet LwoA (dB) sound power levels for installation type A-Free inlet, Free outlet . The sound power level ratings shown are in decibels, referred to 10⁻¹² watts, calculated per AMCA Standard 301.

LwoA : Sound power level at outlet, A-weighted

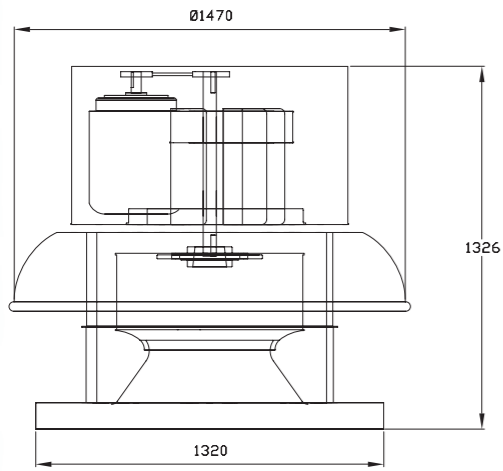


RCB Series Roof Centrifugal Fan

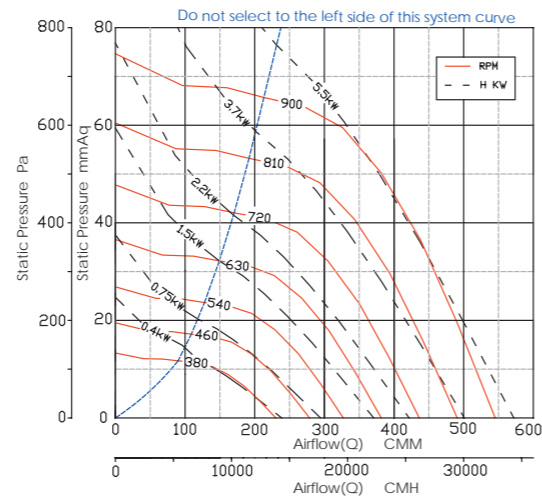
RCB Series FLOWTECH



RCB - 800 - B



WHEEL : 800 mm OUTLET : 0.879 m² (outside area)



- Dimensions shown in millimeters
- Motor cover is optional. Dimensions may vary with motor size.

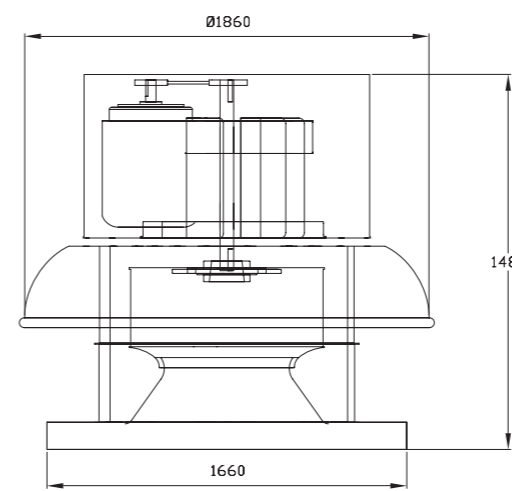
■ Q : cmm ■ Ps : mmAq
■ H : KW ■ r : 1.2kg/m³

RPM		STATIC PRESSURE (Ps)						
		5	10	20	30	40	50	60
400	Q , CMM	210.09	168.54					
	H , KW	0.47	0.49					
	LwoA , dB	71	70					
460	Q , CMM	251.35	198.80					
	H , KW	0.70	0.74					
	LwoA , dB	75	74					
540	Q , CMM	303.88	279.05	209.88				
	H , KW	1.11	1.17	1.18				
	LwoA , dB	79	79	77				
600	Q , CMM	342.56	320.94	268.77				
	H , KW	1.50	1.58	1.65				
	LwoA , dB	83	82	82				
660	Q , CMM	380.82	361.75	319.71	255.51			
	H , KW	1.97	2.07	2.20	1.97			
	LwoA , dB	85	85	84	83			
750	Q , CMM	437.64	420.86	384.93	342.13	281.32		
	H , KW	2.87	2.97	3.14	3.22	3.13		
	LwoA , dB	89	88	88	88	86		
840	Q , CMM	493.97	478.99	447.99	414.84	372.74	316.21	
	H , KW	4.00	4.12	4.33	4.49	4.53	4.39	
	LwoA , dB	92	92	91	91	91	88	

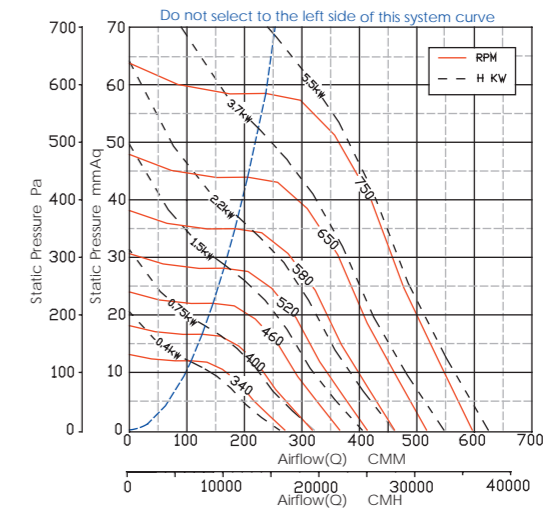
-Performance certified is for Installation type A-Free inlet , Free outlet. Performance rating do not include the effects of appurtenances (accessories). Power rating(KW) does not include transmission losses.
 -The A-weighted sound ratings shown have been calculated per AMCA International Standard 301. Values Shown are for outlet LwoA (dB) sound power levels for installation type A-Free inlet, Free outlet . The sound power level ratings shown are in decibels, referred to 10⁻¹² watts, calculated per AMCA Standard 301.

LwoA : Sound power level at outlet, A-weighted

RCB - 900 - B



WHEEL : 900 mm OUTLET : 1.604 m² (outside area)



- Dimensions shown in millimeters
- Motor cover is optional. Dimensions may vary with motor size.

■ Q : cmm ■ Ps : mmAq
■ H : KW ■ r : 1.2kg/m³

RPM		STATIC PRESSURE (Ps)						
		5	10	20	30	40	50	60
340	Q , CMM	217.16	168.46					
	H , KW	0.49	0.48					
	LwoA , dB	68	67					
420	Q , CMM	290.66	252.23					
	H , KW	0.91	0.93					
	LwoA , dB	75	74					
490	Q , CMM	352.29	315.77	249.55				
	H , KW	1.43	1.46	1.45				
	LwoA , dB	80	79	77				
550	Q , CMM	404.04	371.35	315.80	229.00			
	H , KW	1.99	2.05	2.09	1.96			
	LwoA , dB	83	83	82	81			
610	Q , CMM	454.99	425.35	371.35	317.68			
	H , KW	2.70	2.77	2.83	2.82			
	LwoA , dB	86	85	84	82			
700	Q , CMM	530.37	504.34	453.19	411.51	361.51		
	H , KW	4.03	4.16	4.25	4.29	4.25		
	LwoA , dB	91	90	90	90	89		
790	Q , CMM	604.87	581.81	536.25	493.49	458.08	413.15	
	H , KW	5.76	5.90	6.06	6.14	6.18	6.27	
	LwoA , dB	94	94	93	93	92	91	

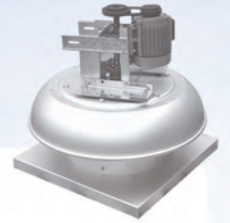
-Performance certified is for Installation type A-Free inlet , Free outlet. Performance rating do not include the effects of appurtenances (accessories). Power rating(KW) does not include transmission losses.
 -The A-weighted sound ratings shown have been calculated per AMCA International Standard 301. Values Shown are for outlet LwoA (dB) sound power levels for installation type A-Free inlet, Free outlet . The sound power level ratings shown are in decibels, referred to 10⁻¹² watts, calculated per AMCA Standard 301.

LwoA : Sound power level at outlet, A-weighted

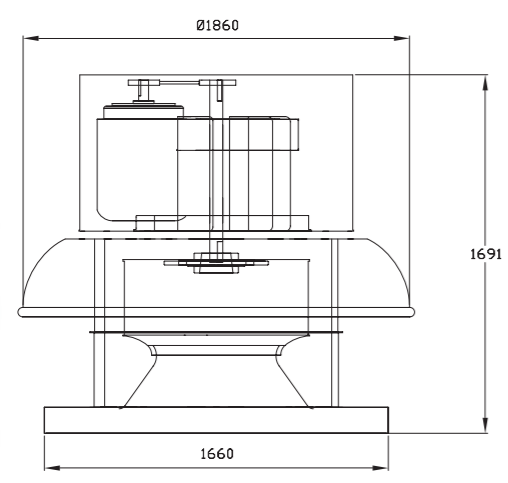


RCB Series Roof Centrifugal Fan

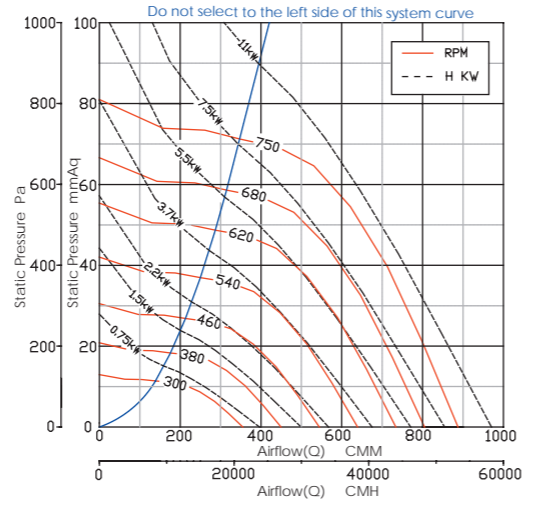
RCB Series FLOWTECH



RCB - 1000 - B



WHEEL : 1000 mm OUTLET : 1.389 m² (outside area)



- Dimensions shown in millimeters
- Motor cover is optional. Dimensions may vary with motor size.

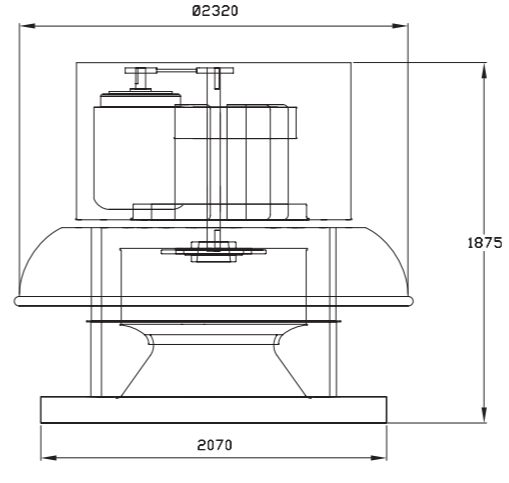
- Q : cmm ■ Ps : mmAq
- H : KW ■ r : 1.2kg/m³

RPM		STATIC PRESSURE (Ps)						
		5	10	20	30	40	50	60
320	Q , CMM	328.27	228.27					
	H , KW	0.74	0.76					
	LwoA , dB	71	70					
380	Q , CMM	408.29	362.81					
	H , KW	1.20	1.27					
	LwoA , dB	76	76					
440	Q , CMM	484.94	447.05	345.41				
	H , KW	1.82	1.92	2.02				
	LwoA , dB	80	80	79				
500	Q , CMM	560.23	528.29	453.19	316.30			
	H , KW	2.63	2.77	2.91	2.65			
	LwoA , dB	84	84	83	80			
570	Q , CMM	646.93	619.33	559.48	484.09	334.25		
	H , KW	3.85	4.01	4.25	4.32	3.78		
	LwoA , dB	88	88	87	87	83		
660	Q , CMM	757.20	733.37	683.75	631.02	562.08	467.23	
	H , KW	5.92	6.10	6.43	6.68	6.71	6.44	
	LwoA , dB	92	92	91	91	89		
750	Q , CMM	866.57	845.59	803.64	757.62	710.65	648.93	571.85
	H , KW	8.63	8.84	9.25	9.55	9.82	9.84	9.63
	LwoA , dB	96	96	95	95	95	94	93

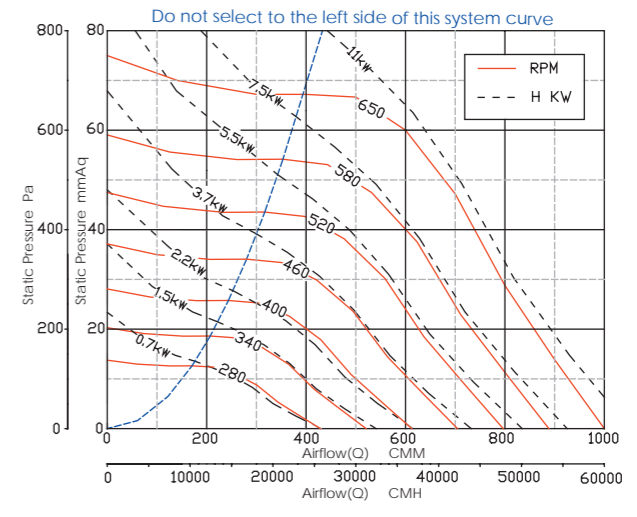
-Performance certified is for Installation type A-Free inlet , Free outlet. Performance rating do not include the effects of appurtenances (accessories). Power rating(KW) does not include transmission losses.
 -The A-weighted sound ratings shown have been calculated per AMCA International Standard 301. Values Shown are for outlet LwoA (dB) sound power levels for installation type A-Free inlet, Free outlet . The sound power level ratings shown are in decibels, referred to 10⁻¹² watts, calculated per AMCA Standard 301.

LwoA : Sound power level at outlet, A-weighted

RCB - 1120 - B



WHEEL : 1120 mm OUTLET : 2.507 m² (outside area)



- Dimensions shown in millimeters
- Motor cover is optional. Dimensions may vary with motor size.

- Q : cmm ■ Ps : mmAq
- H : KW ■ r : 1.2kg/m³

RPM		STATIC PRESSURE (Ps)						
		5	10	20	30	40	50	60
300	Q , CMM	384.53	322.86					
	H , KW	0.99	1.01					
	LwoA , dB	71	69					
360	Q , CMM	488.65	429.98					
	H , KW	1.70	1.74					
	LwoA , dB	77	76					
420	Q , CMM	589.39	536.23	447.36				
	H , KW	2.66	2.73	2.78				
	LwoA , dB	82	82	80				
500	Q , CMM	720.57	675.52	592.25	514.84			
	H , KW	4.42	4.56	4.65	4.65			
	LwoA , dB	87	87	86	85			
560	Q , CMM	817.34	776.85	697.30	632.79	553.97		
	H , KW	6.16	6.36	6.50	6.56	6.69		
	LwoA , dB	91	90	90	89	88		
620	Q , CMM	913.17	876.60	804.44	738.62	682.47	604.95	
	H , KW	8.32	8.53	8.75	8.86	8.92	8.79	
	LwoA , dB	94	94	93	93	92	91	
680	Q , CMM	1008.31	974.97	908.86	843.38	790.07	738.87	664.64
	H , KW	10.92	11.16	11.48	11.64	11.72	11.79	11.60
	LwoA , dB	97	96	96	96	95	94	93

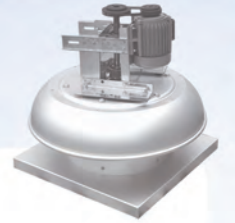
-Performance certified is for Installation type A-Free inlet , Free outlet. Performance rating do not include the effects of appurtenances (accessories). Power rating(KW) does not include transmission losses.
 -The A-weighted sound ratings shown have been calculated per AMCA International Standard 301. Values Shown are for outlet LwoA (dB) sound power levels for installation type A-Free inlet, Free outlet . The sound power level ratings shown are in decibels, referred to 10⁻¹² watts, calculated per AMCA Standard 301.

LwoA : Sound power level at outlet, A-weighted

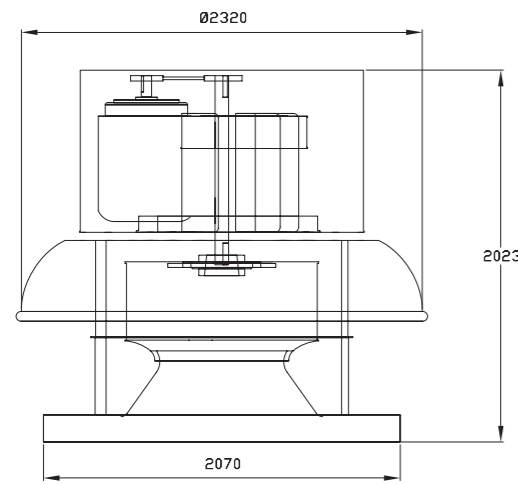


RCB Series Roof Centrifugal Fan

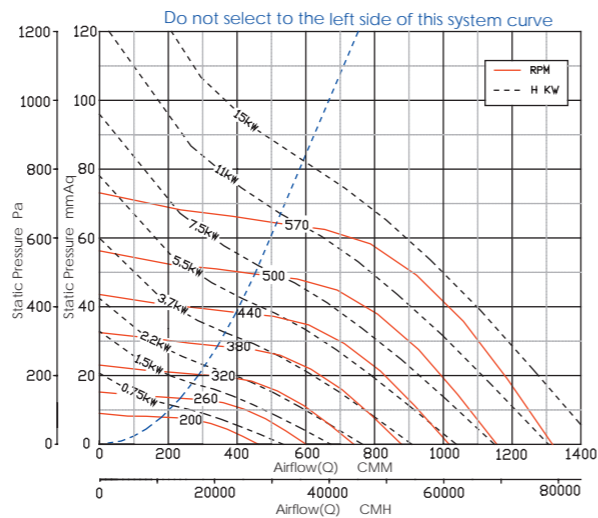
RCB Series FLOWTECH



RCB - 1250 - B



WHEEL : 1250 mm OUTLET : 2.165 m² (outside area)



- Dimensions shown in millimeters
- Motor cover is optional. Dimensions may vary with motor size.

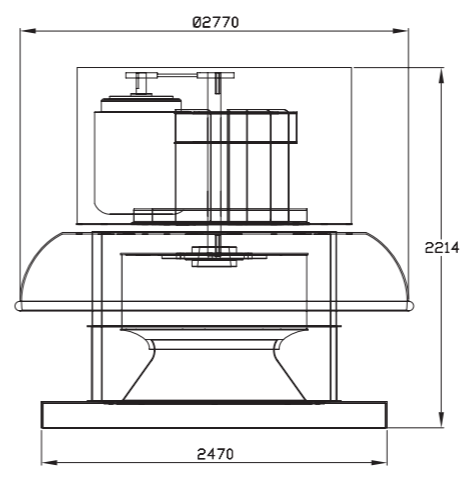
■ Q : cmm ■ Ps : mmAq
■ H : KW ■ r : 1.2kg/m³

RPM		STATIC PRESSURE (Ps)						
		5	10	20	30	40	50	60
240	Q , CMM	469.89	343.41					
	H , KW	0.96	0.95					
	LwoA , dB	70	68					
300	Q , CMM	627.84	555.20					
	H , KW	1.21	1.92					
	LwoA , dB	76	76					
340	Q , CMM	728.01	666.12	488.22				
	H , KW	2.58	2.72	2.71				
	LwoA , dB	80	80	78				
380	Q , CMM	826.55	773.01	643.02				
	H , KW	3.55	3.73	3.91				
	LwoA , dB	83	83	83				
420	Q , CMM	923.93	877.11	771.76	613.47			
	H , KW	4.74	4.97	5.26	5.42			
	LwoA , dB	86	86	85	84			
460	Q , CMM	1020.45	977.70	885.19	769.68	555.59		
	H , KW	6.18	6.43	6.80	6.93	6.22		
	LwoA , dB	89	88	88	88	84		
540	Q , CMM	1211.69	1175.27	1100.05	1019.49	917.92	782.40	
	H , KW	9.88	10.18	10.70	11.10	11.21	10.90	
	LwoA , dB	94	93	93	92	92	91	

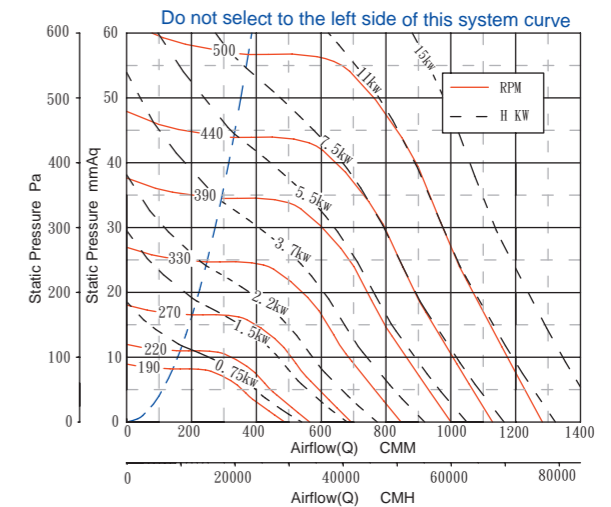
-Performance certified is for Installation type A-Free inlet , Free outlet. Performance rating do not include the effects of appurtenances (accessories). Power rating(KW) does not include transmission losses.
 -The A-weighted sound ratings shown have been calculated per AMCA International Standard 301. Values Shown are for outlet LwoA (dB) sound power levels for installation type A-Free inlet, Free outlet . The sound power level ratings shown are in decibels, referred to 10⁻¹² watts, calculated per AMCA Standard 301.

LwoA : Sound power level at outlet, A-weighted

RCB - 1330 - B



WHEEL : 1330 mm OUTLET : 3.538 m² (outside area)



- Dimensions shown in millimeters
- Motor cover is optional. Dimensions may vary with motor size.

■ Q : cmm ■ Ps : mmAq
■ H : KW ■ r : 1.2kg/m³

RPM		STATIC PRESSURE (Ps)						
		5	10	20	30	40	50	60
210	Q , CMM	416.05	217.91					
	H , KW	0.81	0.68					
	LwoA , dB	66	59					
240	Q , CMM	504.40	407.12					
	H , KW	1.21	1.21					
	LwoA , dB	70	69					
300	Q , CMM	680.07	597.17	384.68				
	H , KW	2.32	2.37	2.22				
	LwoA , dB	78	77	72				
360	Q , CMM	848.67	774.96	652.30				
	H , KW	3.95	4.05	4.13				
	LwoA , dB	84	83	82				
420	Q , CMM	1013.26	949.58	832.10	721.92	435.82		
	H , KW	6.19	6.38	6.51	6.51	5.45		
	LwoA , dB	89	89	88	87	83		
480	Q , CMM	1175.19	1119.09	1008.80	917.58	814.24	642.69	
	H , KW	9.16	9.44	9.65	9.75	9.69	9.19	
	LwoA , dB	93	93	92	92	91	88	
520	Q , CMM	1282.11	1230.33	1128.17	1035.44	955.95	844.71	668.64
	H , KW	11.59	11.89	12.20	12.35	12.43	12.23	11.58
	LwoA , dB	96	95	95	95	94	93	91

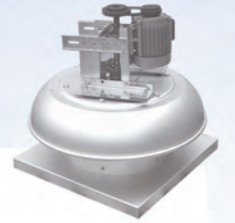
-Performance certified is for Installation type A-Free inlet , Free outlet. Performance rating do not include the effects of appurtenances (accessories). Power rating(KW) does not include transmission losses.
 -The A-weighted sound ratings shown have been calculated per AMCA International Standard 301. Values Shown are for outlet LwoA (dB) sound power levels for installation type A-Free inlet, Free outlet . The sound power level ratings shown are in decibels, referred to 10⁻¹² watts, calculated per AMCA Standard 301.

LwoA : Sound power level at outlet, A-weighted



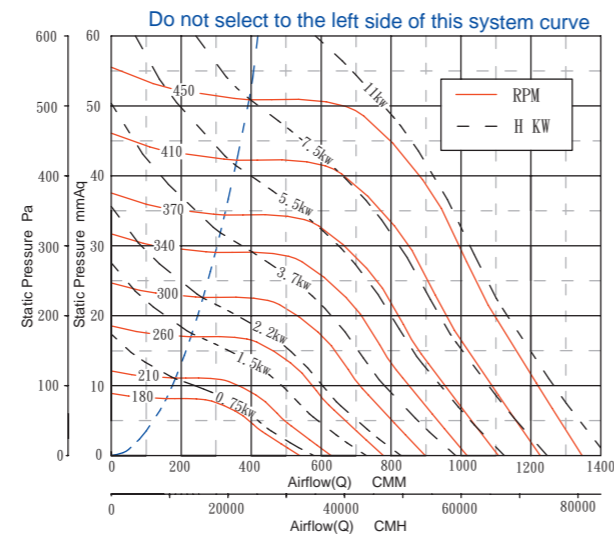
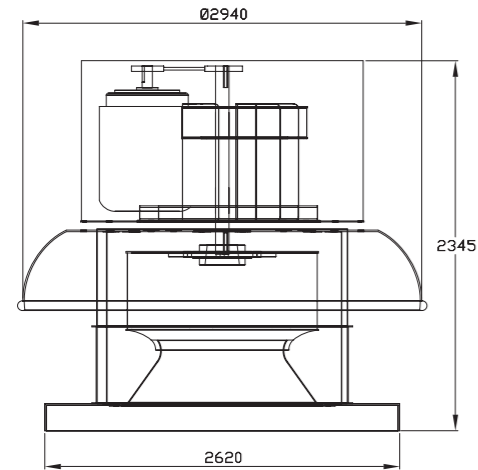
RCB Series Roof Centrifugal Fan

RCB Series FLOWTECH



RCB - 1400 - B

WHEEL : 1400 mm OUTLET : 3.965 m² (outside area)



- Dimensions shown in millimeters
- Motor cover is optional. Dimensions may vary with motor size.

- Q : cmm ■ Ps : mmAq
- H : KW ■ r : 1.2kg/m³

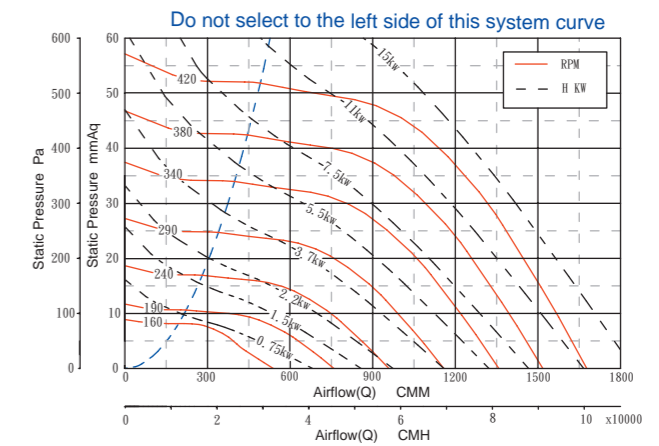
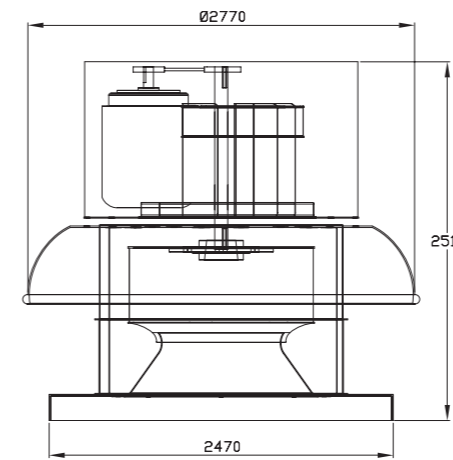
RPM		STATIC PRESSURE (Ps)						
		5	10	20	30	40	50	60
190	Q , CMM	428.40						
	H , KW	0.78						
	LwoA , dB	64						
220	Q , CMM	530.56	414.29					
	H , KW	1.20	1.20					
	LwoA , dB	69	67					
280	Q , CMM	736.86	644.67					
	H , KW	2.44	2.49					
	LwoA , dB	77	76					
320	Q , CMM	868.83	781.79	626.81				
	H , KW	3.62	3.70	3.70				
	LwoA , dB	81	81	79				
380	Q , CMM	1062.33	988.44	856.80	712.68			
	H , KW	5.95	6.12	6.25	6.16			
	LwoA , dB	87	87	86	84			
420	Q , CMM	1189.11	1121.86	992.90	889.30	721.80		
	H , KW	7.97	8.22	8.40	8.48	8.16		
	LwoA , dB	90	90	89	89	86		
480	Q , CMM	1377.06	1318.01	1201.67	1099.60	1008.95	870.48	
	H , KW	11.80	12.12	12.42	12.57	12.66	12.34	
	LwoA , dB	94	94	94	93	93	91	

-Performance certified is for Installation type A-Free inlet , Free outlet. Performance rating do not include the effects of appurtenances (accessories). Power rating(KW) does not include transmission losses.
 -The A-weighted sound ratings shown have been calculated per AMCA International Standard 301. Values Shown are for outlet LwoA (dB) sound power levels for installation type A-Free inlet, Free outlet . The sound power level ratings shown are in decibels, referred to 10⁻¹² watts, calculated per AMCA Standard 301.

LwoA : Sound power level at outlet, A-weighted

RCB - 1500 - B

WHEEL : 1500 mm OUTLET : 3.101 m² (outside area)



- Dimensions shown in millimeters
- Motor cover is optional. Dimensions may vary with motor size.

- Q : cmm ■ Ps : mmAq
- H : KW ■ r : 1.2kg/m³

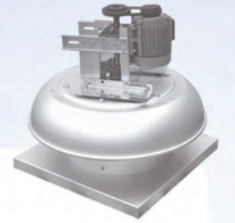
RPM		STATIC PRESSURE (Ps)						
		5	10	20	30	40	50	60
180	Q , CMM	581.42						
	H , KW	1.03						
	LwoA , dB	65						
220	Q , CMM	769.22	632.34					
	H , KW	1.81	1.89					
	LwoA , dB	71	69					
260	Q , CMM	947.67	848.51					
	H , KW	2.91	3.08					
	LwoA , dB	76	74					
300	Q , CMM	1119.52	1036.71	825.72				
	H , KW	4.37	4.61	4.77				
	LwoA , dB	81	79	77				
360	Q , CMM	1372.27	1306.72	1162.85	957.28			
	H , KW	7.41	7.75	8.22	8.16			
	LwoA , dB	90	85	84	82			
400	Q , CMM	1538.58	1479.59	1353.28	1202.79	989.03		
	H , KW	10.08	10.45	11.04	11.33	10.99		
	LwoA , dB	96	88	87	86	85		
440	Q , CMM	1703.70	1650.07	1538.44	1419.80	1264.69	1051.31	
	H , KW	13.32	13.74	14.46	15.02	15.09	14.50	
	LwoA , dB	101	92	90	89	88	87	

-Performance certified is for Installation type A-Free inlet , Free outlet. Performance rating do not include the effects of appurtenances (accessories). Power rating(KW) does not include transmission losses.
 -The A-weighted sound ratings shown have been calculated per AMCA International Standard 301. Values Shown are for outlet LwoA (dB) sound power levels for installation type A-Free inlet, Free outlet . The sound power level ratings shown are in decibels, referred to 10⁻¹² watts, calculated per AMCA Standard 301.

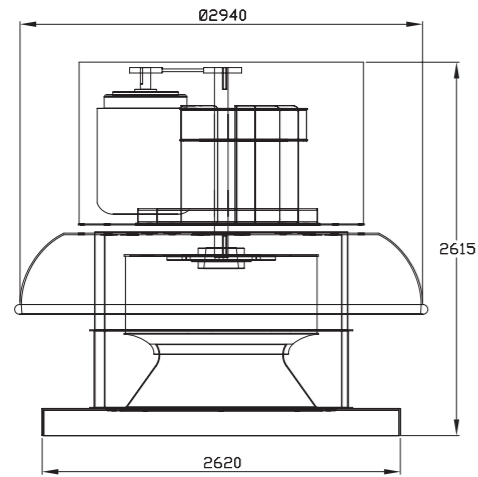
LwoA : Sound power level at outlet, A-weighted



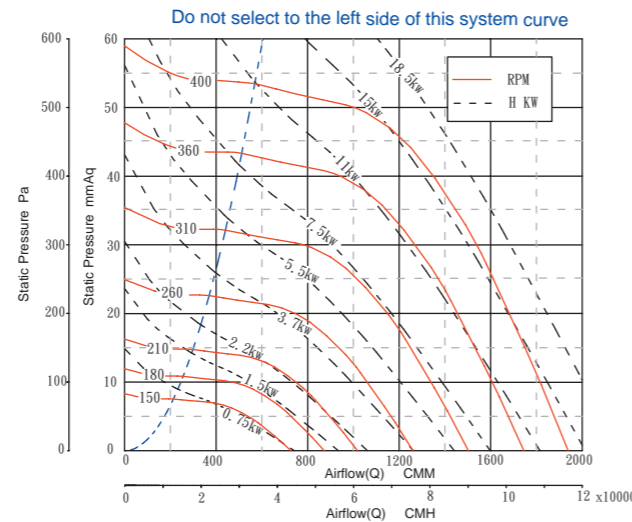
RCB Series Roof Centrifugal Fan



RCB - 1600 - B



WHEEL : 1600 mm OUTLET : 3.520 m² (outside area)



- Dimensions shown in millimeters
- Motor cover is optional. Dimensions may vary with motor size.

■ Q : cmm ■ Ps : mmAq
 ■ H : KW ■ r : 1.2kg/m³

RPM		STATIC PRESSURE (Ps)						
		5	10	20	30	40	50	60
170	Q , CMM	668.87						
	H , KW	1.19						
	LwoA , dB	65						
200	Q , CMM	840.37	674.18					
	H , KW	1.88	1.95					
	LwoA , dB	70	68					
230	Q , CMM	1005.41	880.74					
	H , KW	2.81	2.97					
	LwoA , dB	74	73					
280	Q , CMM	1267.31	1172.54	928.50				
	H , KW	4.91	5.18	5.34				
	LwoA , dB	81	79	77				
330	Q , CMM	1523.29	1447.02	1276.83	1022.04			
	H , KW	7.90	8.27	8.77	8.59			
	LwoA , dB	90	84	83	81			
370	Q , CMM	1725.42	1657.39	1511.23	1334.36	1079.53		
	H , KW	11.02	11.44	12.10	12.38	11.92		
	LwoA , dB	97	88	87	85	84		
410	Q , CMM	1925.94	1864.55	1736.52	1600.70	1421.48	1154.88	
	H , KW	14.89	15.36	16.17	16.80	16.86	15.96	
	LwoA , dB	102	90	89	88	87	86	

-Performance certified is for Installation type A-Free inlet , Free outlet. Performance rating do not include the effects of appurtenances (accessories). Power rating(KW) does not include transmission losses.
 -The A-weighted sound ratings shown have been calculated per AMCA International Standard 301. Values Shown are for outlet LwoA (dB) sound power levels for installation type A-Free inlet, Free outlet . The sound power level ratings shown are in decibels, referred to 10⁻¹² watts, calculated per AMCA Standard 301.

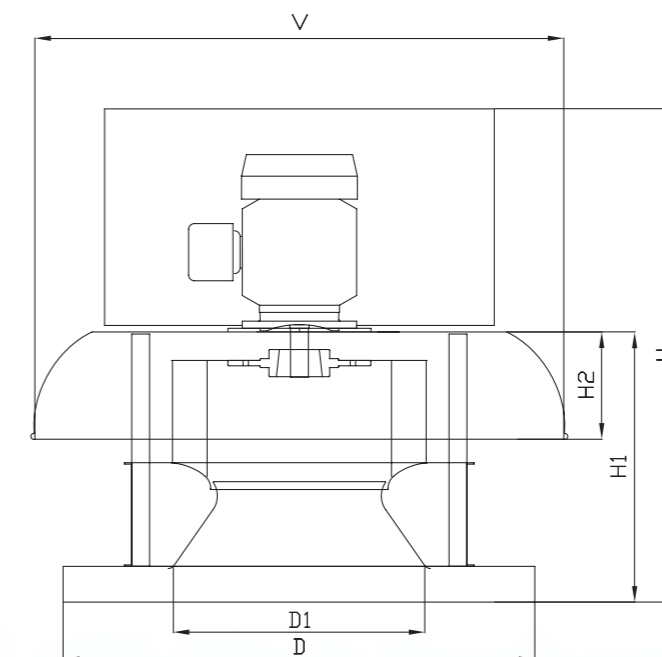
LwoA : Sound power level at outlet , A-weighted

Drawings / Dimensions

• DIRECT DRIVE

Model Size	V	H	H1	H2	D	D1	HP	Ploes
RCB-250-D	470	542	263	95	440	258	0.25	4
RCB-280-D	530	573	294	106	490	287	0.25	4
RCB-280-D	530	602	294	106	490	287	0.25	6
RCB-315-D	590	640	332	120	550	323	0.5	4
RCB-315-D	590	640	332	120	550	323	0.25	6
RCB-355-D	740	686	378	150	660	355	0.25	6
RCB-355-D	740	709	378	150	660	355	0.25	8
RCB-400-D	740	749	418	150	660	400	0.5	6
RCB-400-D	740	749	418	150	660	400	0.25	8
RCB-450-D	930	840	478	189	830	450	1	6
RCB-450-D	930	840	478	189	830	450	0.5	8
RCB-500-D	930	945	544	189	830	500	2	6
RCB-500-D	930	945	544	189	830	500	1	8
RCB-560-D	1170	1012	595	236	1040	560	3	6
RCB-560-D	1170	996	595	236	1040	560	1	8
RCB-630-D	1170	1143	658	236	1040	630	5	6
RCB-630-D	1170	1075	658	236	1040	630	2	8

- Above-mentioned H are the standard size
- All dimensions in millimeters
- H dimensions may vary with motor size.





RCB Series Roof Centrifugal Fan

BELT DRIVE

Model Size	V	H	H1	H2	D	D1
RCB-250-B	470	547	263	95	440	258
RCB-280-B	530	607	294	106	490	287
RCB-315-B	590	645	332	120	550	323
RCB-355-B	740	714	378	150	660	355
RCB-400-B	740	754	418	150	660	400
RCB-450-B	930	845	478	189	830	450
RCB-500-B	930	950	544	189	830	500
RCB-560-B	1170	1017	595	236	1040	560
RCB-630-B	1170	1080	658	236	1040	630
RCB-710-B	1470	1246	756	300	1320	710
RCB-800-B	1470	1326	836	300	1320	800
RCB-900-B	1860	1484	956	378	1660	900
RCB-1000-B	1860	1691	1048	378	1660	1000
RCB-1120-B	2320	1875	1188	470	2070	1120
RCB-1250-B	2320	2023	1307	470	2070	1250
RCB-1330-B	2770	2214	1414	560	2470	1330
RCB-1400-B	2940	2345	1495	595	2620	1400
RCB-1500-B	2770	2515	1565	560	2470	1500
RCB-1600-B	2940	2615	1665	595	2620	1600

- Above-mentioned H are the standard size
- All dimensions in millimeters
- H dimensions may vary with motor size.

