



APK Series

PROPELLER FANS



Propeller Fans – APK Series

KRUGER

- Propeller fan for wall or panel mounting to convey air directly to the outside.
- Sickle Blade impellers, in conjunction with the external rotor motors.
- Wall plate is made of high grade galvanized sheet steel, with painted finish.
- Statically and dynamically balanced to ISO 1940 standard.
- Low noise level with high efficiency.
- Accessories such as speed controller and mounting accessories can be supplied upon request.



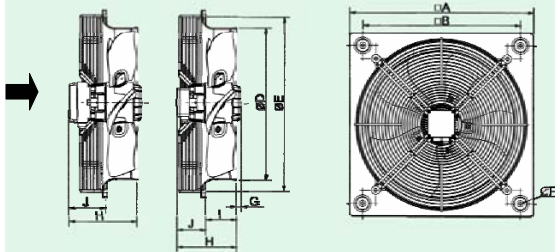
Kruger Ventilation Industries Co., Ltd certifies that the **APK series** shown herein is licensed to bear the AMCA Seal. The ratings shown are based on tests and procedures performed in accordance with AMCA publication 211 and comply with the requirements of the AMCA Certified Ratings Program.

Dimensions – 50Hz

315 - 630

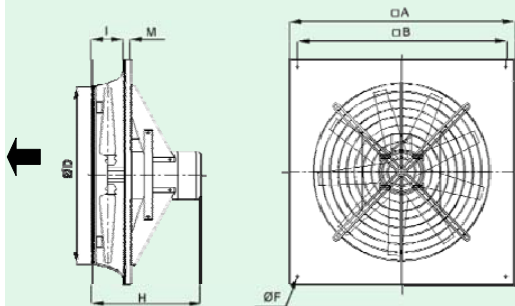
1 PHASE

3 PHASE



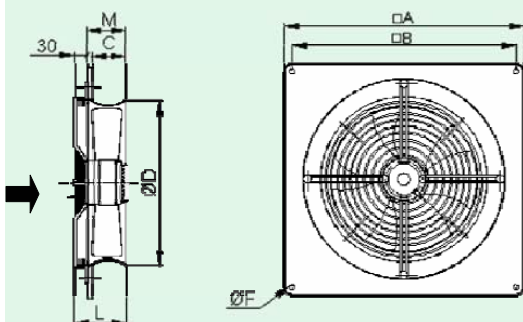
Model	□A	□B	∅D	∅E	∅F	G	H	I	J	Wt (kg)
APK 315 4P-1 1S	400	330	320	365	10	-	149	68	82	7
APK 355 4P-1 1S	450	380	363	411	10	-	156	75	82	7.5
APK 400 4P-1 1S	500	420	410	464	10	12	200	78	122	9
APK 450 4P-1 1S	560	480	457	522	10	-	204	91	114	11.5
APK 500 4P-1 1S	630	560	512	572	10	13	201	97	104	16
APK 500 6P-1 1S	630	560	512	572	10	-	201	97	104	16
APK 560 6P-1 1S	710	630	570	649	10	-	213	99	114	21.5
APK 560 6P-3 1S	710	630	570	649	10	-	188	99	89	21.5
APK 630 4P-3 1S	800	710	640	730	12	25	182	103	79	24
APK 630 6P-3 1S	800	710	640	730	12	7	182	103	79	24

710 - 1000



Model	□A	□B	∅D	∅F	H	I	M	Wt (kg)
APK 710 4P-3 1Z	930	830	742	14	536	131	25	91
APK 710 4P-3 1W	930	830	742	14	536	131	25	86
APK 800 4P-3 1Z	1050	950	826	14	705	147	25	119
APK 800 4P-3 1W	1050	950	826	14	705	147	25	114
APK 900 4P-3 1Z	1180	1080	930	14	746	164	25	135
APK 900 4P-3 1W	1180	1080	930	14	746	164	25	129
APK 1000 4P-3 1Z	1290	1190	1039	14	825	182	25	259
APK 1000 4P-3 1W	1290	1190	1039	14	825	182	25	253

Dimensions – 60Hz

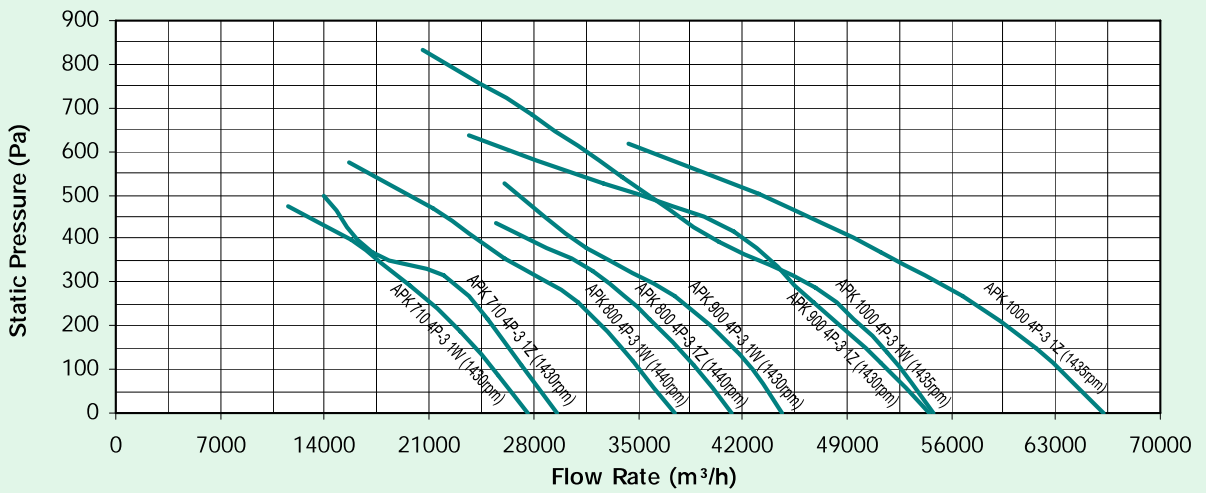
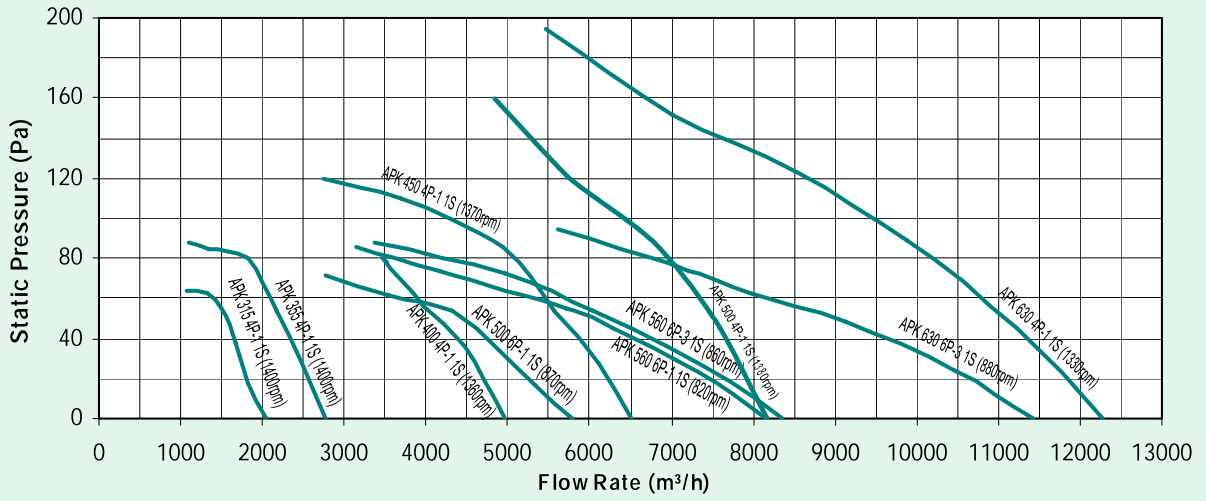


Model	□A	□B	C	∅D	∅F	L	M	Wt (kg)
APK 315 4P-1 1S-6	430	380	61.5	345	9	102.5	72.5	5
APK 315 6P-1 1S-6	430	380	61.5	345	9	102.5	72.5	5
APK 355 4P-1 1S-6	485	435	68	388	9	110	80	7
APK 355 6P-1 1S-6	485	435	68	388	9	110	80	7
APK 400 4P-1 1S-6	540	490	86	420	9	128	98	8.5
APK 400 6P-1 1S-6	540	490	86	420	9	128	98	8.5
APK 450 4P-1 1S-6	575	535	86	465	11	130	100	10
APK 450 6P-1 1S-6	575	535	86	465	11	130	100	10

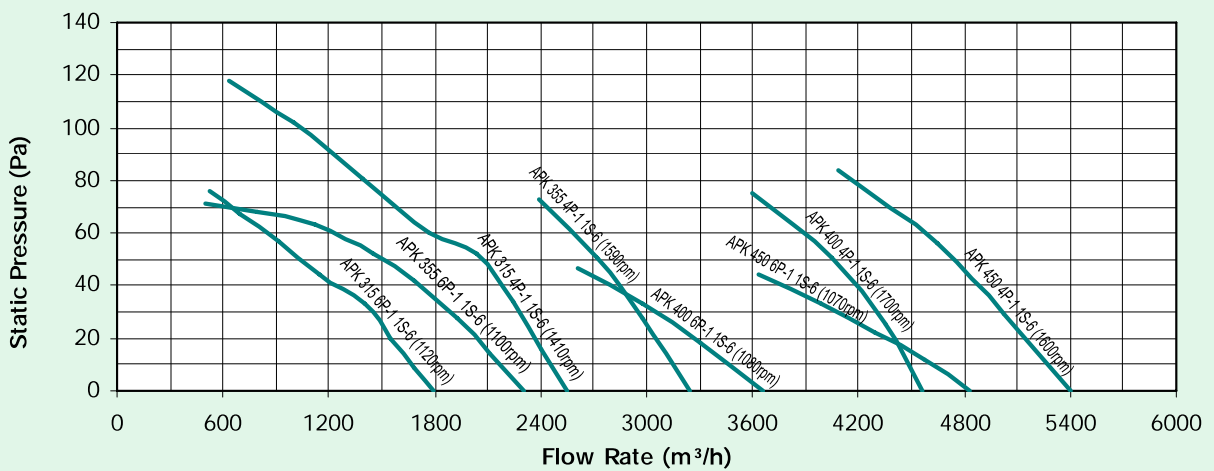
Propeller Fans – APK Series



Performance Data – 50Hz



Performance Data – 60Hz



- Performance certified is for installation type A – Free inlet, Free outlet.
- Performance ratings do not include the effects of appurtenances (accessories).
- Speed (RPM) shown is nominal. Performance is based on actual speed of test.

Propeller Fans – APK Series



Technical Data – 50Hz

Model	Max Q m ³ /h	Max. Motor Input Watts	Motor Protection	Motor	N° Pole	Hz	Max. Current in AMP		Insulation Class	dB (A) at 3m	RPM
							230V	400V			
APK 315 4P-1 1S	2048	120	IP54	Single Phase	4	50	0.53	-	F	47	1400
APK 355 4P-1 1S	2768	120	IP54	Single Phase	4	50	0.55	-	F	53	1400
APK 400 4P-1 1S	4870	290	IP54	Single Phase	4	50	1.2	-	F	54	1360
APK 450 4P-1 1S	6516	380	IP54	Single Phase	4	50	2.0	-	F	58	1370
APK 500 4P-1 1S	8165	791	IP54	Single Phase	4	50	3.51	-	F	63	1380
APK 500 6P-1 1S	5785	310	IP54	Single Phase	6	50	1.3	-	F	54	870
APK 560 6P-1 1S	8150	410	IP54	Single Phase	6	50	1.8	-	F	55	820
APK 560 6P-3 1S	8366	450	IP54	Three Phase	6	50	-	0.9	F	55	860
APK 630 4P-3 1S	12272	1400	IP54	Three Phase	4	50	-	2.5	F	67	1330
APK 630 6P-3 1S	11423	740	IP54	Three Phase	6	50	-	1.5	F	57	880

Technical Data – 50Hz

Model	Max Q m ³ /h	Max. Motor Input Watts	Motor Protection	Motor	N° Pole	Hz	Max. Current in AMP at 400V	Insulation Class	dB (A) at 3m	RPM
APK 710 4P-3 1Z	29639	5500	IP55	Three Phase	4	50	11.8	F	75	1430
APK 710 4P-3 1W	27536	5500	IP55	Three Phase	4	50	11.8	F	72	1430
APK 800 4P-3 1Z	41285	11000	IP55	Three Phase	4	50	22.1	F	78	1440
APK 800 4P-3 1W	37523	11000	IP55	Three Phase	4	50	22.1	F	75	1440
APK 900 4P-3 1Z	54529	15000	IP55	Three Phase	4	50	30.5	F	80	1430
APK 900 4P-3 1W	44643	15000	IP55	Three Phase	4	50	30.5	F	77	1430
APK 1000 4P-3 1Z	66154	18500	IP55	Three Phase	4	50	36.0	F	82	1435
APK 1000 4P-3 1W	54720	18500	IP55	Three Phase	4	50	36.0	F	79	1435

Technical Data – 60Hz

Model	Max Q m ³ /h	Max. Motor Input Watts	Motor Protection	Motor	N° Pole	Hz	Max. Current in AMP at 230V	Insulation Class	dB (A) at 3m	RPM
APK 315 4P-1 1S-6	2549	120	IP44	Single Phase	4	60	0.52	B	55	1410
APK 315 6P-1 1S-6	1793	68	IP44	Single Phase	6	60	0.30	B	49	1120
APK 355 4P-1 1S-6	3247	190	IP44	Single Phase	4	60	0.83	B	57	1590
APK 355 6P-1 1S-6	2300	68	IP44	Single Phase	6	60	0.37	B	48	1100
APK 400 4P-1 1S-6	4558	240	IP44	Single Phase	4	60	1.06	B	63	1700
APK 400 6P-1 1S-6	3654	170	IP44	Single phase	6	60	0.75	B	52	1080
APK 450 4P-1 1S-6	5404	350	IP44	Single Phase	4	60	1.55	B	66	1600
APK 450 6P-1 1S-6	4835	225	IP44	Single phase	6	60	0.98	B	67	1070

The company is always improving and developing its products, therefore the company reserves the right of making changes to the illustrated products. Certified dimension can be provided upon request.