

STANDARD MATERIALS AND CONSTRUCTION

FRAME: .125" thick (nominal) extruded aluminum, 6063-T52/T6 alloy.

BLADE: .125" thick (nominal) extruded aluminum, 6063-T52/T6 alloy.
Blades approximately 4" on centers.

LOUVER FACE: Full width sill with head and blades contained within jambs.
Welded construction.

SCREEN: (When indicated, in a removable frame.)

- ½" flattened aluminum (.051" thick),
- or- ½" sq. mesh, intermediate double-crimped aluminum wire, .063" dia.,
- or- 19/16 mesh, .011" dia. aluminum wire, insect screen.

FINISH: Mill

TEST METHODS

Passed the following Miami-Dade County Florida Test Protocols:

- TAS (PA) 201
- TAS (PA) 202
- TAS (PA) 203

OPTIONS

Finish - Baked Enamel, Kynar, Anodize
Extended Sill

NOTES

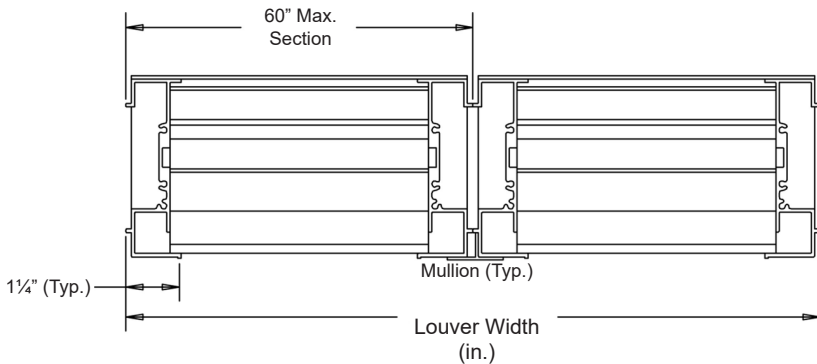
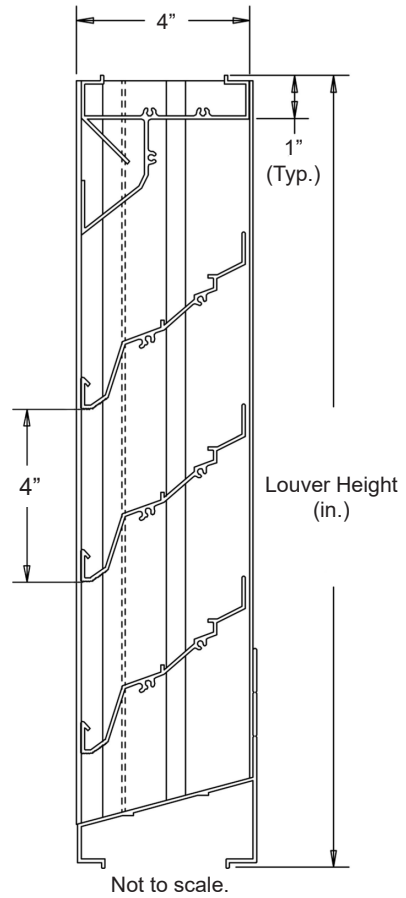
1. Nominal deductions will be made to the opening size given.
2. Approximate shipping weight is 6.0 lbs./sq.ft.

LOUVER SIZES

Min Panel	Max Single Panel
12"W x 12"H	60"W x 96"H

Windload requirements may limit panel sizes.

Withstands pressures up to 150± PSF.



Item #	Qty	Opening Size		Louver Size		Mullion	Screens		Location	Union Made
		Width	Height	Width	Height		Type			
Arch. / Eng. :						EDR:	ECN:		Job:	
Contractor:										
Project:						Date:	DWN:		DWG:	

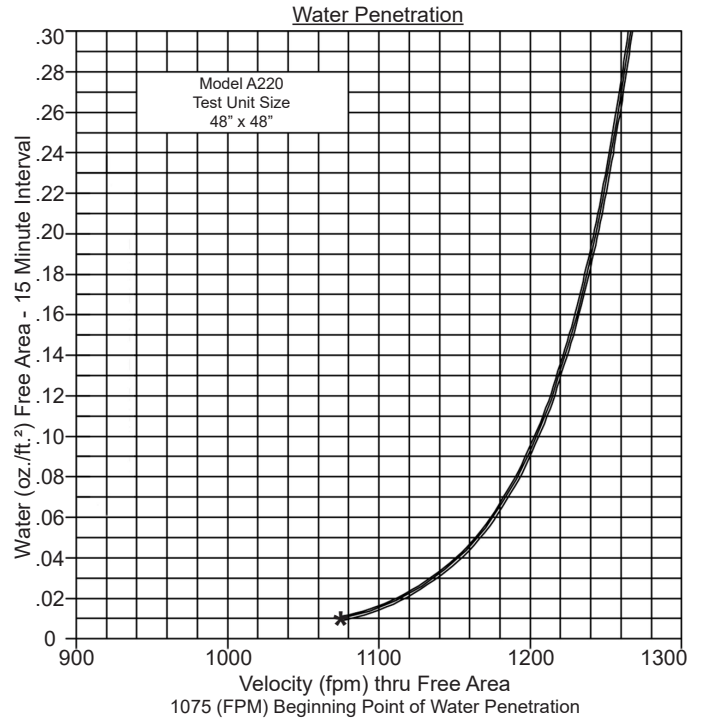
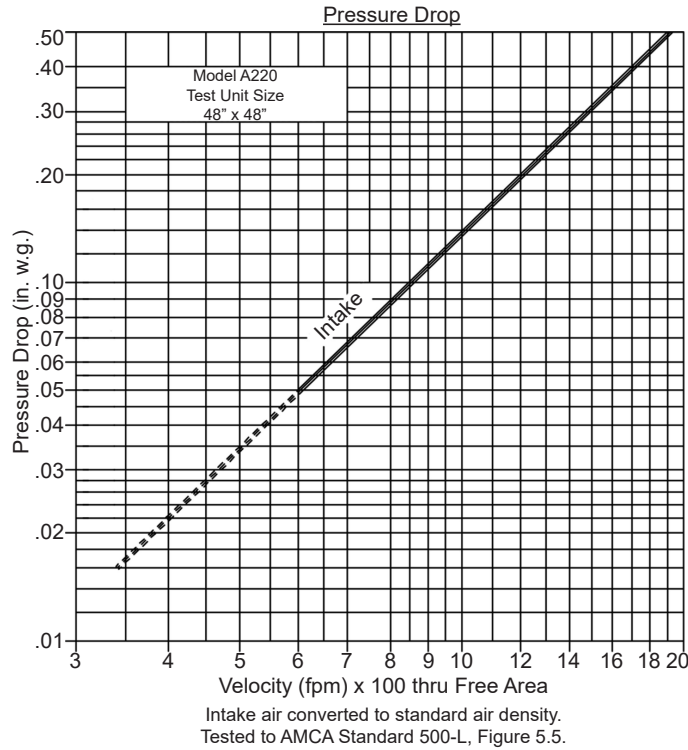


PERFORMANCE DATA

Pressure Drop: .15 in. w.g. at 1000 fpm (intake)
 Free Area: 8.37 sq.ft. = 52% for 48"W x 48"H sample tested in accordance with AMCA Standard 500-L.

Beginning Point of Water Penetration: 1075 fpm

Ratings do not include effects of a screen.



Free Area (sq.ft.)

		Width (in.)								
		12"	18"	24"	30"	36"	42"	48"	54"	60"
Height (in.)	12"	.31	.50	.70	.90	1.09	1.29	1.48	1.68	1.87
	24"	.81	1.31	1.82	2.33	2.84	3.35	3.86	4.36	4.87
	36"	1.30	2.12	2.94	3.77	4.59	5.41	6.23	7.05	7.87
	48"	1.80	2.93	4.07	5.20	6.34	7.47	8.37	9.74	10.87
	60"	2.29	3.74	5.19	6.64	8.08	9.53	10.98	12.43	13.88
	72"	2.79	4.55	6.31	8.07	9.83	11.59	13.35	15.12	16.88
	84"	3.28	5.36	7.43	9.51	11.58	13.65	15.73	17.80	19.88
	96"	3.78	6.17	8.55	10.94	13.33	15.72	18.10	20.49	22.88



Air Balance certifies that the Model A220 shown herein is licensed to bear the AMCA seal. The ratings shown are based on tests and procedures performed in accordance with AMCA Publication 511 and comply with the requirements of the AMCA Certified Ratings Program. The AMCA Certified Ratings Seal applies to Water Penetration and Air Performance Ratings only.

INSTALLATION DETAILS

