

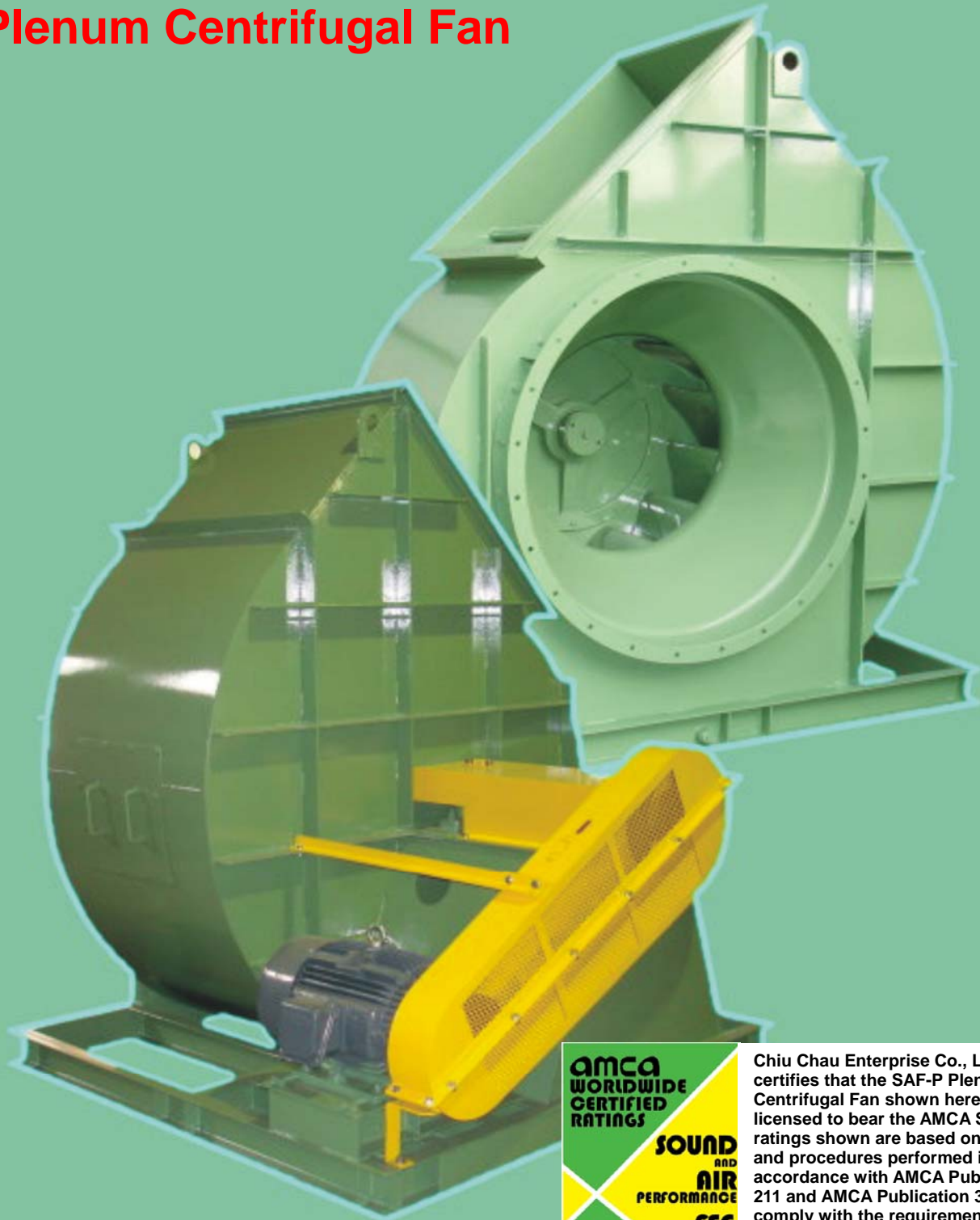


CHIU CHAU Enterprise Co., Ltd.

SAF-P

SAF-P September.2020

Plenum Centrifugal Fan



Chiu Chau Enterprise Co., Ltd. certifies that the SAF-P Plenum Centrifugal Fan shown herein are licensed to bear the AMCA Seal. The ratings shown are based on tests and procedures performed in accordance with AMCA Publication 211 and AMCA Publication 311 and comply with the requirements of the AMCA Certified Ratings Program.

Quality Reputation Service

Prospectus

Idea of operation: Prime in authentication, everlasting operation

Quality policy: Good quality, customer satisfaction

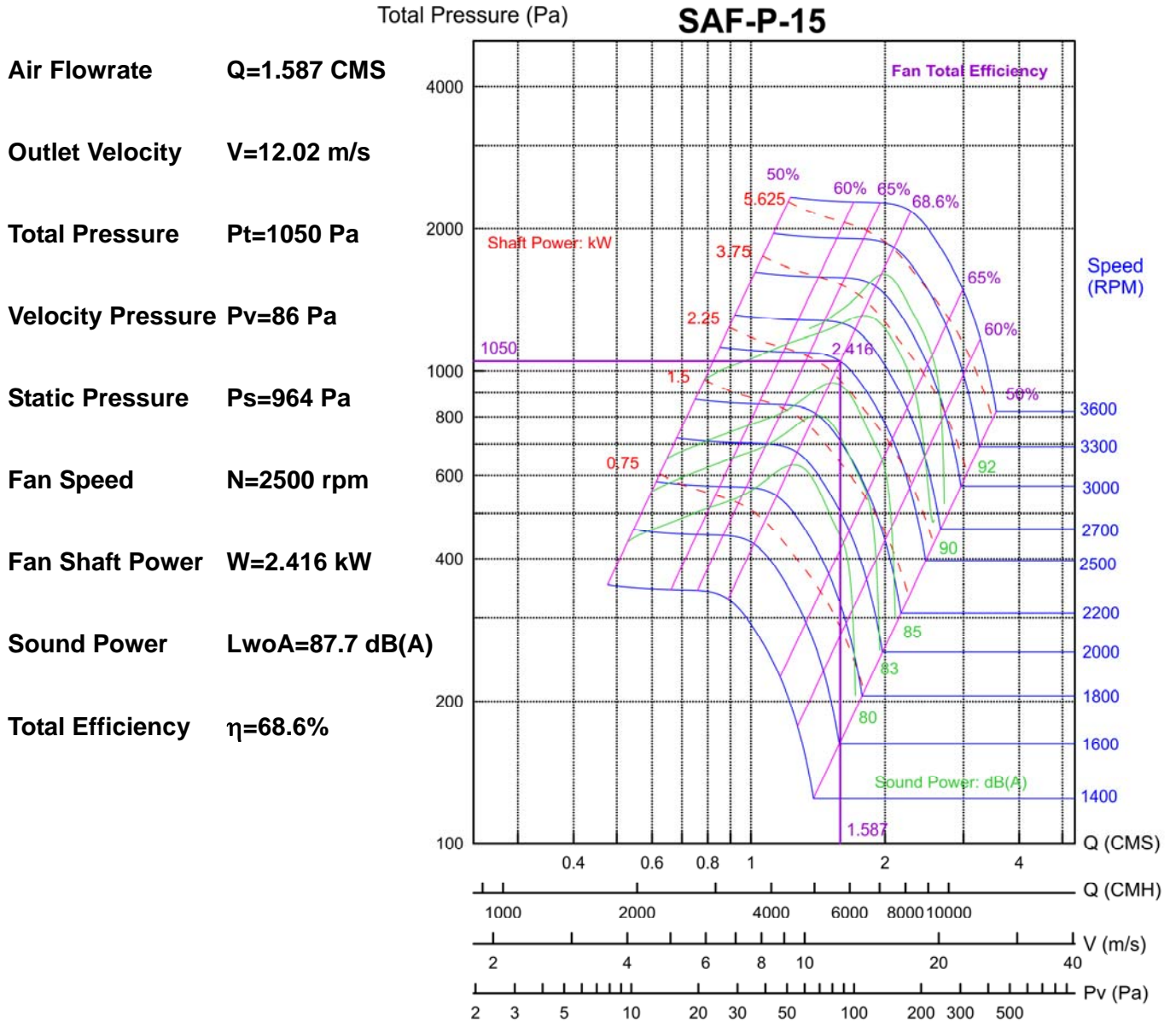
In the beginning of this instruction, first we thank for the support given from all parties, we always keep good contact with old customers and exploit new market aggressively, realize continue, stable and coordinate development. The agreement contracted, proceeds, income after taxed both create peak in history. In order to affirm the foundation, we passed ISO 9001 quality management system accreditation. We prime the motto of “authentication, everlasting operation, good quality, customer satisfaction” as subject of national economy, providing first class product to society.

Product Feature

- Production equipment: dynamic balance calibration unit, hydraulic bending bed, hydraulic shear, level lathe, plasma cutting unit, CO2 electric welding set screw press, Argon welding set.
- Testing equipment: spectrum analyzer, laser aiming unit, thermal linear anemometer, noise decibel gauge, U tube, electronic pressure gauge, thermometer, tachometer, Pitot tube, diaphragm gauge, caliper.
- Education & training: monthly fixed 4 hours on-job training, invited professional lecturer, the contents of the program include professional know-how, production management, quality control and so on. Two or three persons are selected to attend visit and practice in academic unit yearly.
- Quality control: meet ISO 9001 quality management system.
- After sale service and handling of customer complaint: We provide customer service and maintenance service department exclusive for requirement of after sale service and handling of emergency incident., proceed subject to each customer complaint case, failure determination, cause analysis, trouble shooting, case classification and management. Cope with periodical maintenance of the user yearly.

Example of Fan Curve Reading

SAF-P-15 (Outlet Sound Power)



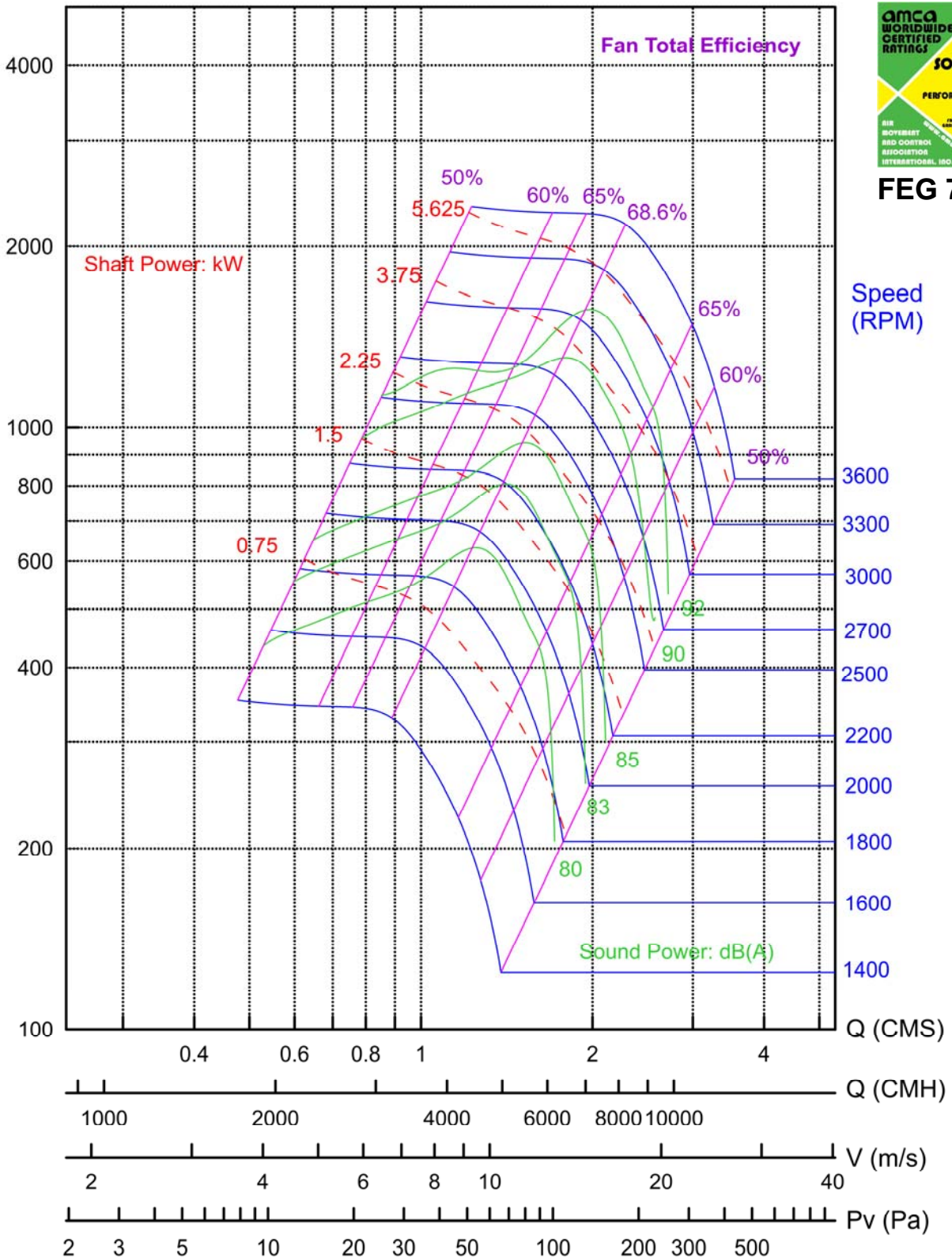
Performance certified is for Installation Type A, free inlet, free outlet. Power rating (kW) does not include transmission losses. Performance ratings do not include the effects of appurtenances (accessories). The A-weighted sound ratings shown have been calculated per AMCA International Standard 301. Values shown are for outlet LwoA sound power levels for Installation Type A: free inlet, free outlet.

Total Pressure (Pa)

SAF-P-15



FEG 75



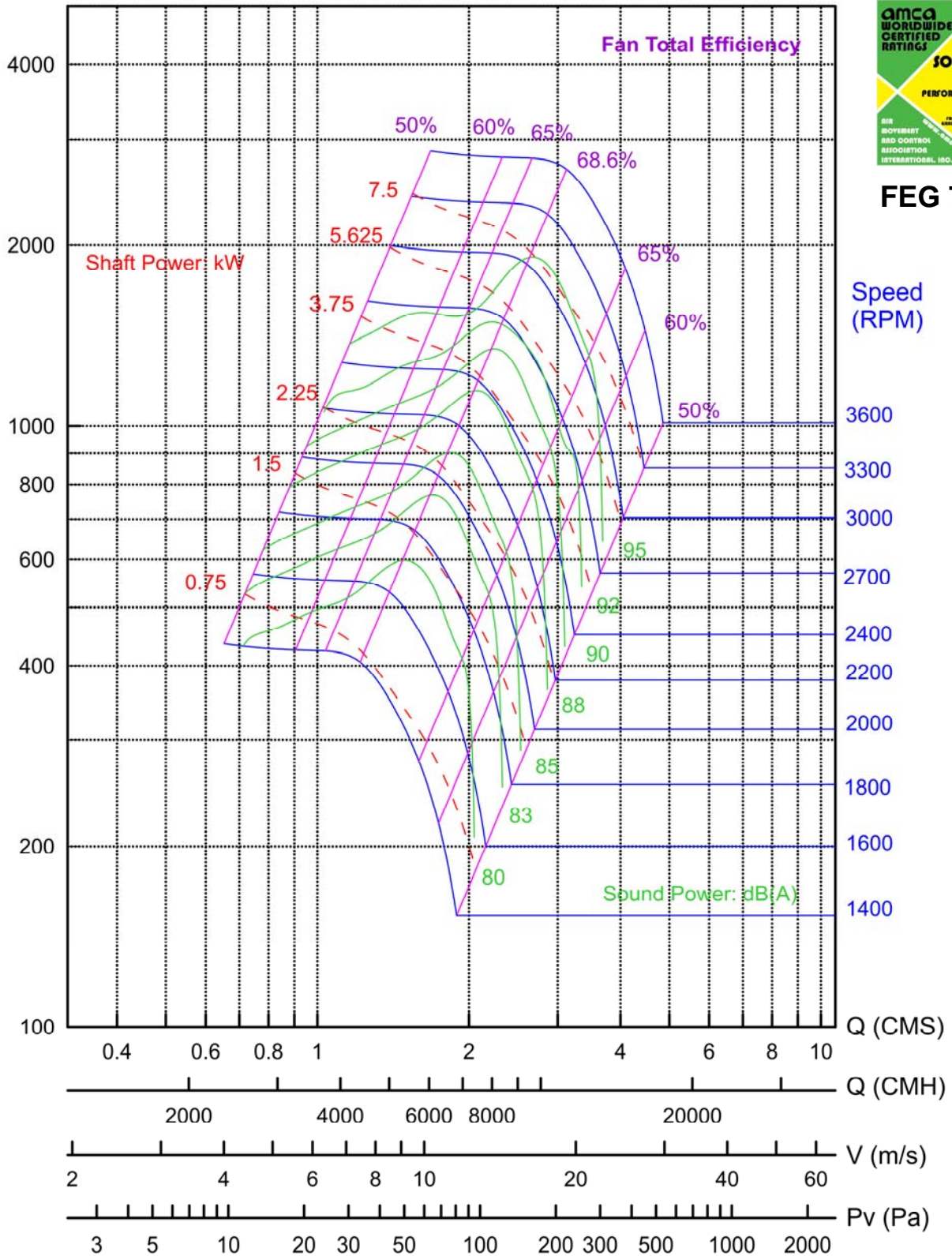
Performance certified is for Installation Type A, free inlet, free outlet. Power rating (kW) does not include transmission losses. Performance ratings do not include the effects of appurtenances (accessories). The A-weighted sound ratings shown have been calculated per AMCA International Standard 301. Values shown are for outlet LwA sound power levels for Installation Type A: free inlet, free outlet.

Total Pressure (Pa)

SAF-P-16.5



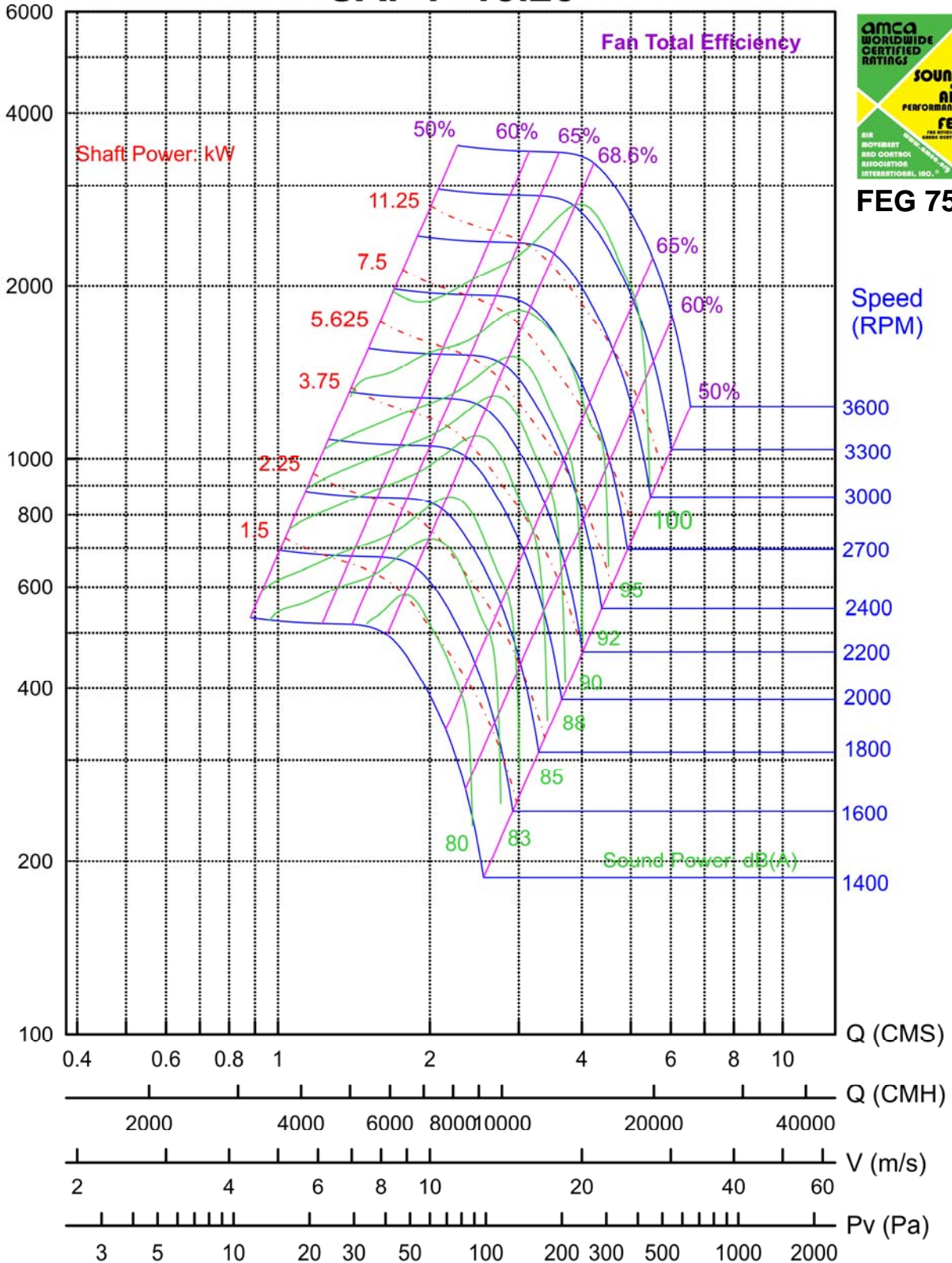
FEG 75



Performance certified is for Installation Type A, free inlet, free outlet. Power rating (kW) does not include transmission losses. Performance ratings do not include the effects of appurtenances (accessories). The A-weighted sound ratings shown have been calculated per AMCA International Standard 301. Values shown are for outlet LwoA sound power levels for Installation Type A: free inlet, free outlet.

Total Pressure (Pa)

SAF-P-18.25



FEG 75

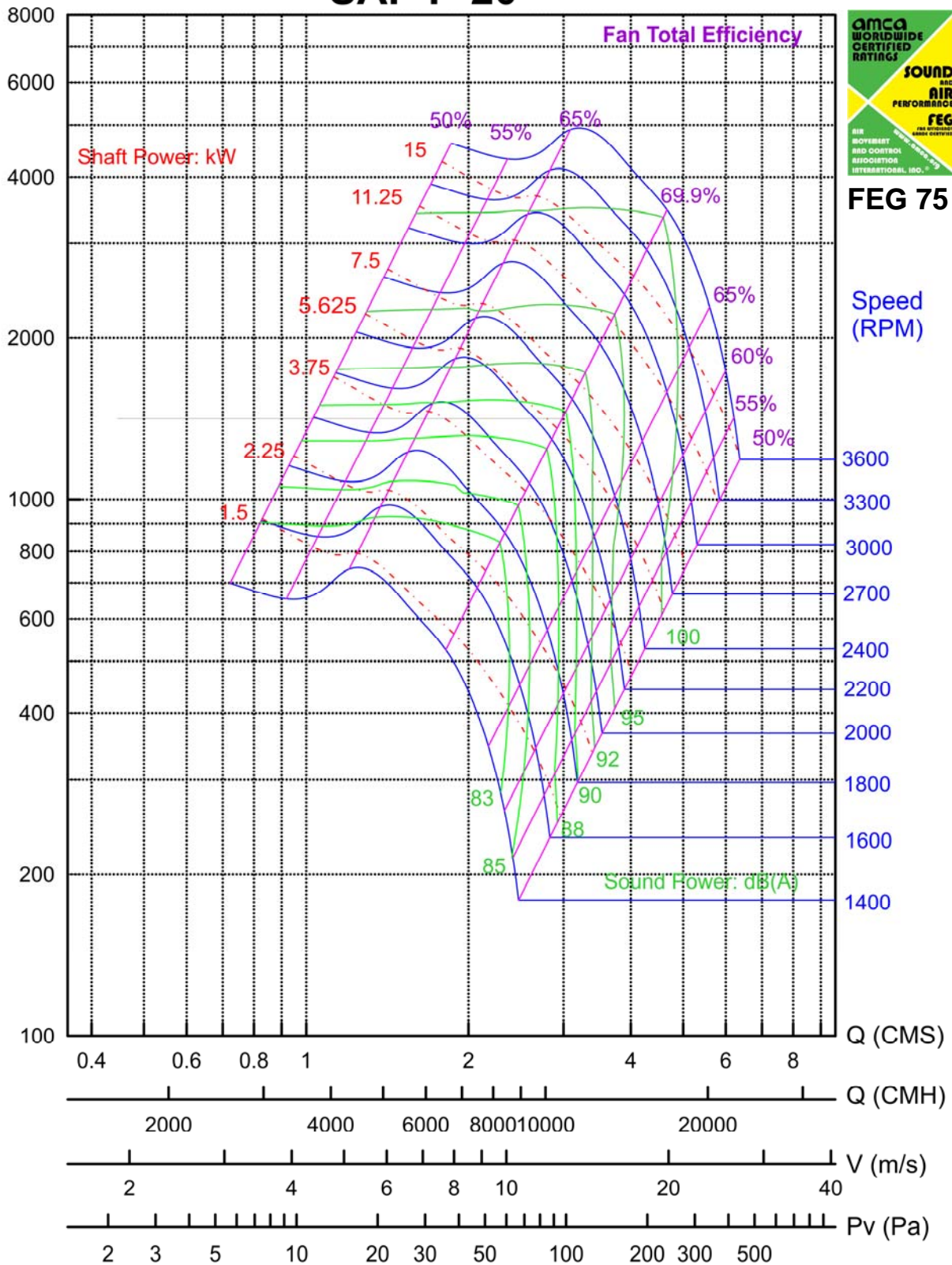
Performance certified is for Installation Type A, free inlet, free outlet. Power rating (kW) does not include transmission losses. Performance ratings do not include the effects of appurtenances (accessories). The A-weighted sound ratings shown have been calculated per AMCA International Standard 301. Values shown are for outlet LwoA sound power levels for Installation Type A: free inlet, free outlet.

Total Pressure (Pa)

SAF-P-20



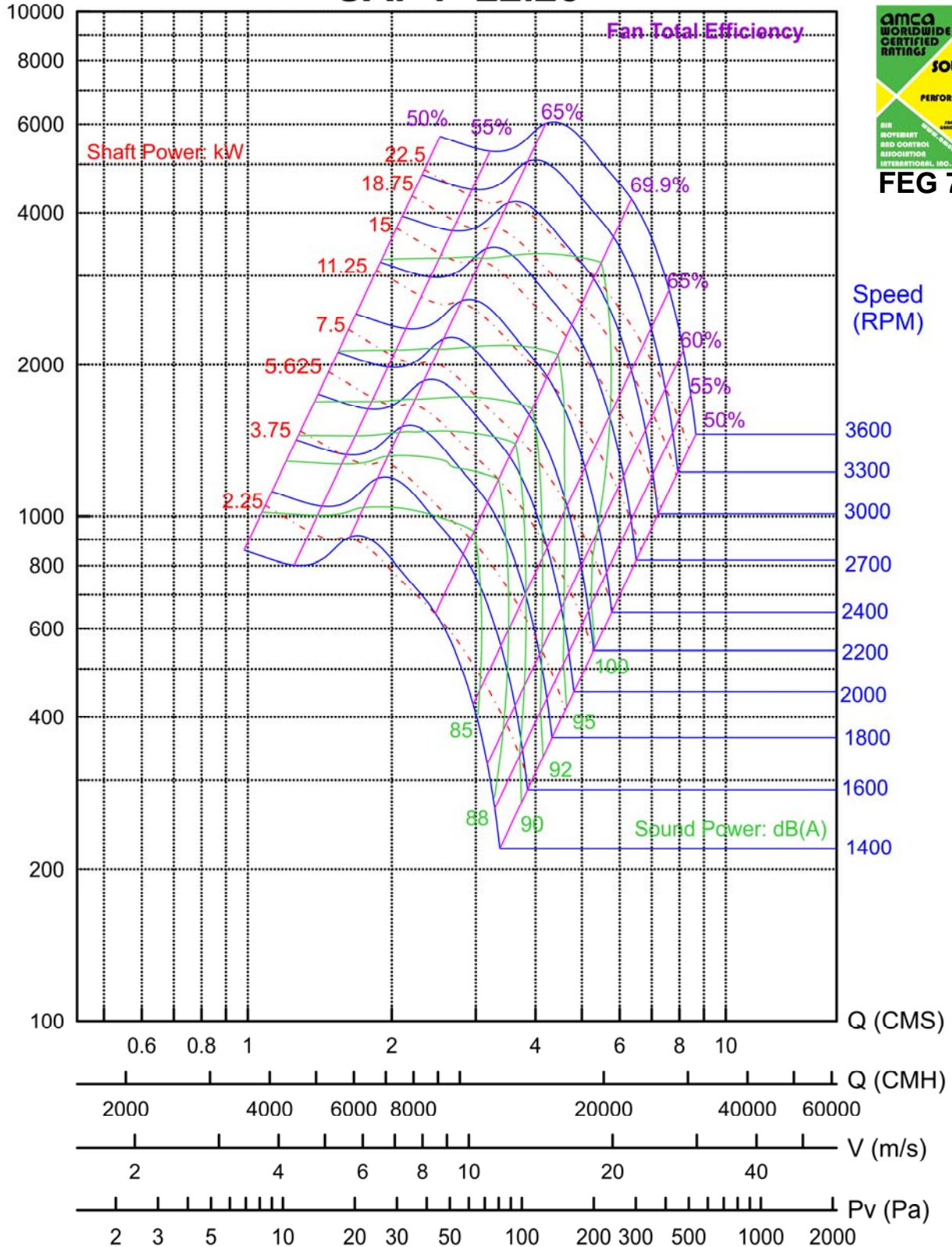
FEG 75



Performance certified is for Installation Type A, free inlet, free outlet. Power rating (kW) does not include transmission losses. Performance ratings do not include the effects of appurtenances (accessories). The A-weighted sound ratings shown have been calculated per AMCA International Standard 301. Values shown are for outlet LwoA sound power levels for Installation Type A: free inlet, free outlet.

Total Pressure (Pa)

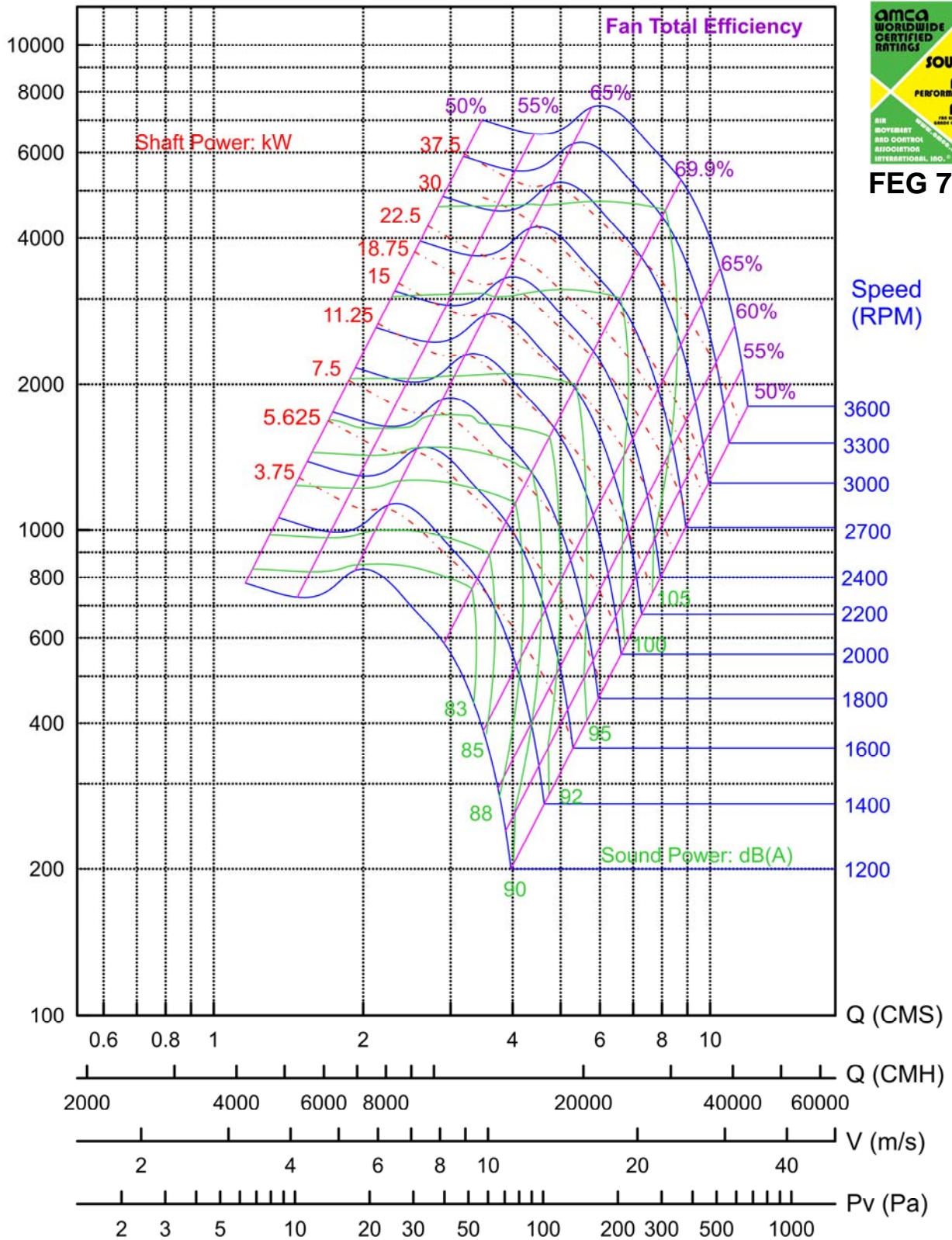
SAF-P-22.25



Performance certified is for Installation Type A, free inlet, free outlet. Power rating (kW) does not include transmission losses. Performance ratings do not include the effects of appurtenances (accessories). The A-weighted sound ratings shown have been calculated per AMCA International Standard 301. Values shown are for outlet LwoA sound power levels for Installation Type A: free inlet, free outlet.

Total Pressure (Pa)

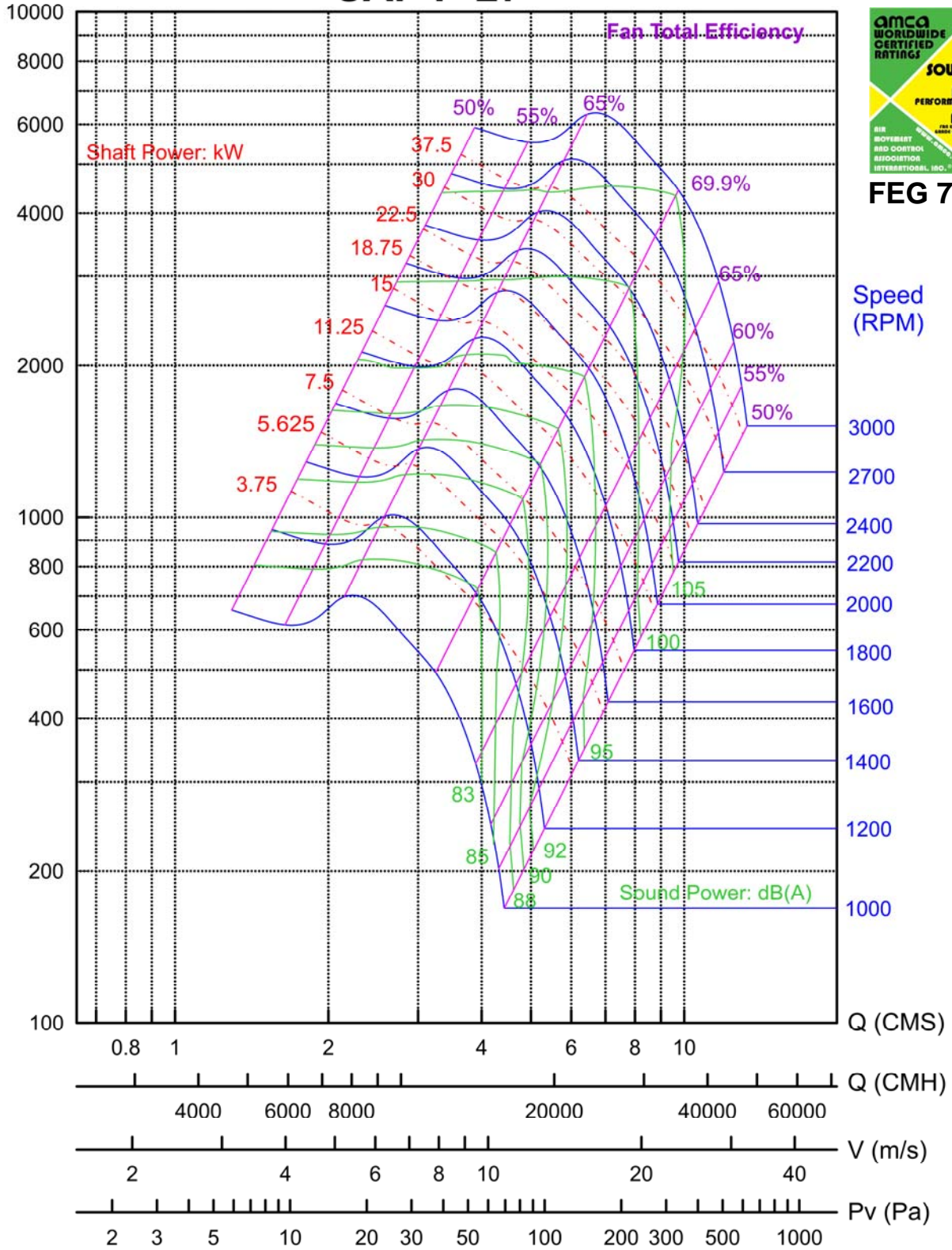
SAF-P-24.5



Performance certified is for Installation Type A, free inlet, free outlet. Power rating (kW) does not include transmission losses. Performance ratings do not include the effects of appurtenances (accessories). The A-weighted sound ratings shown have been calculated per AMCA International Standard 301. Values shown are for outlet LwoA sound power levels for Installation Type A: free inlet, free outlet.

Total Pressure (Pa)

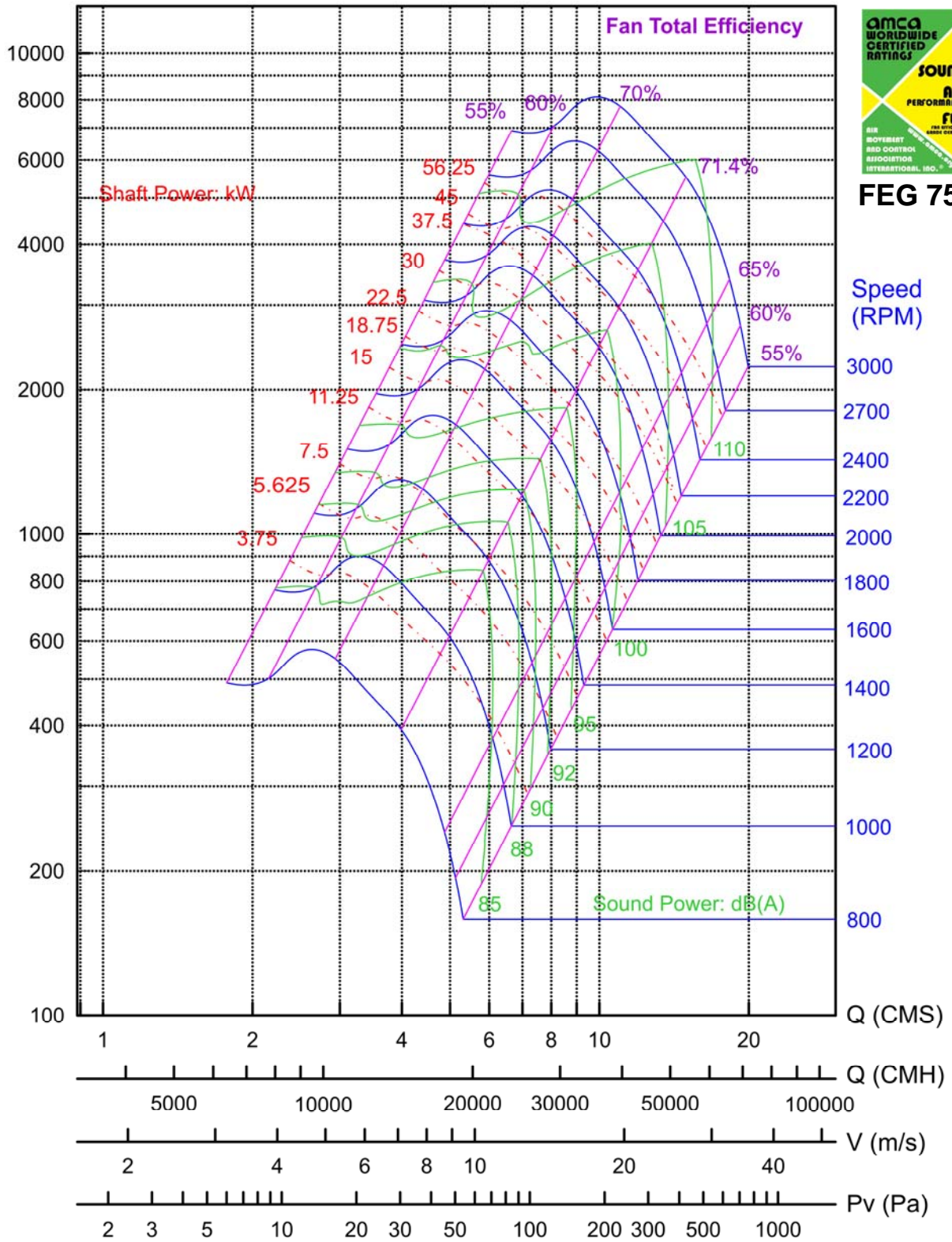
SAF-P-27



Performance certified is for Installation Type A, free inlet, free outlet. Power rating (kW) does not include transmission losses. Performance ratings do not include the effects of appurtenances (accessories). The A-weighted sound ratings shown have been calculated per AMCA International Standard 301. Values shown are for outlet LwoA sound power levels for Installation Type A: free inlet, free outlet.

Total Pressure (Pa)

SAF-P-30



FEG 75

Speed (RPM)

3000

2700

2400

2200

2000

1800

1600

1400

1200

1000

800

Q (CMS)

Q (CMH)

V (m/s)

Pv (Pa)

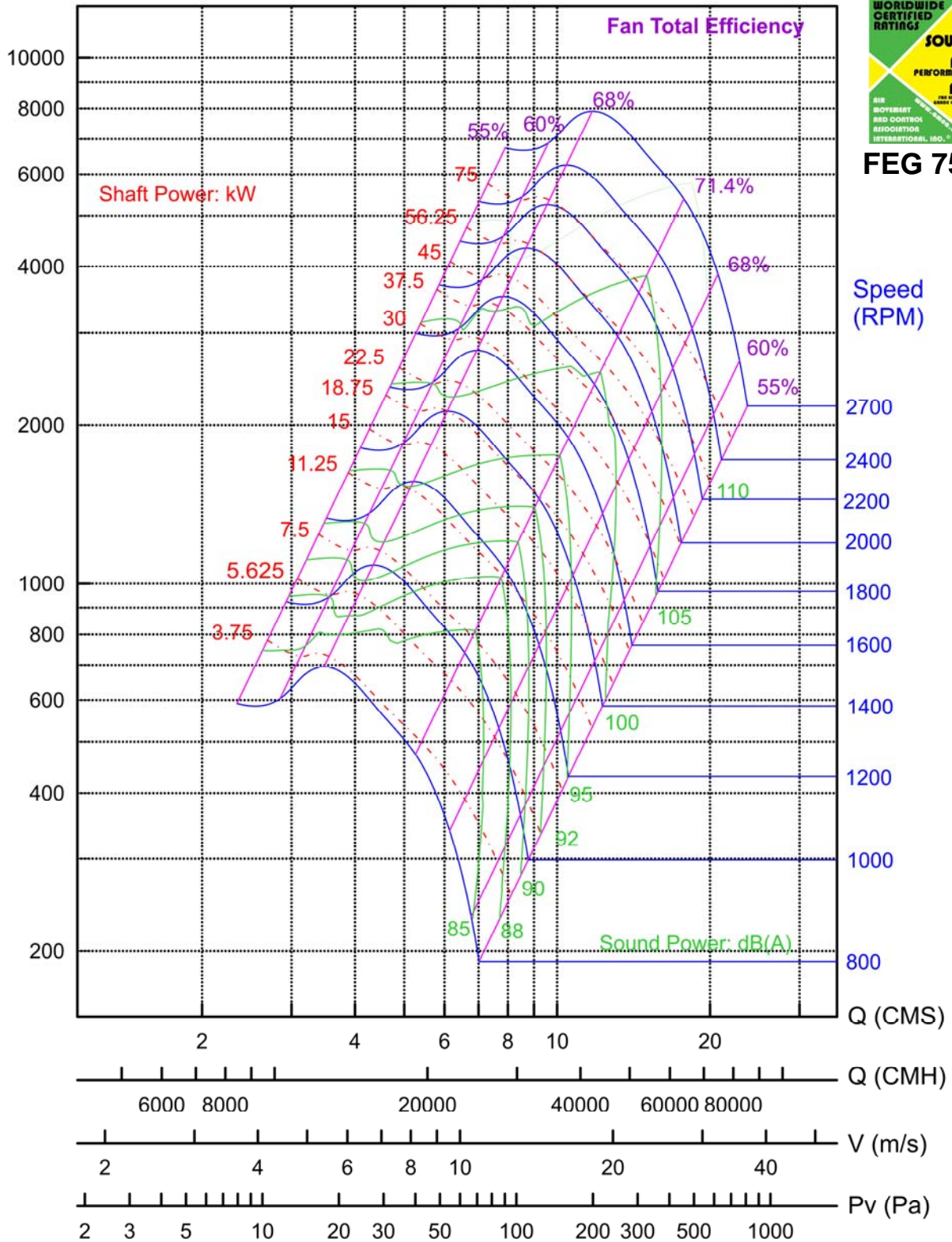
Performance certified is for Installation Type A, free inlet, free outlet. Power rating (kW) does not include transmission losses. Performance ratings do not include the effects of appurtenances (accessories). The A-weighted sound ratings shown have been calculated per AMCA International Standard 301. Values shown are for outlet LwoA sound power levels for Installation Type A: free inlet, free outlet.

Total Pressure (Pa)

SAF-P-33



FEG 75



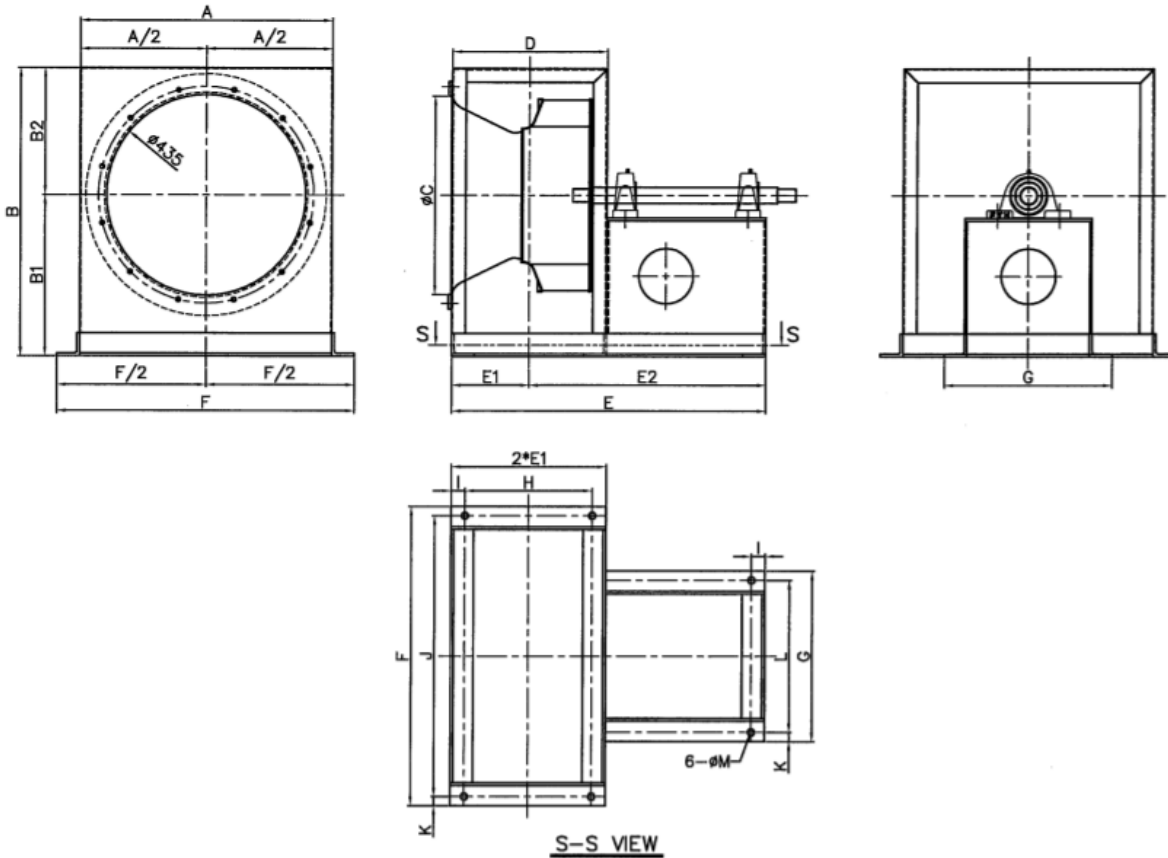
Performance certified is for Installation Type A, free inlet, free outlet. Power rating (kW) does not include transmission losses. Performance ratings do not include the effects of appurtenances (accessories). The A-weighted sound ratings shown have been calculated per AMCA International Standard 301. Values shown are for outlet LwoA sound power levels for Installation Type A: free inlet, free outlet.



Fan Dimension

SAF-P

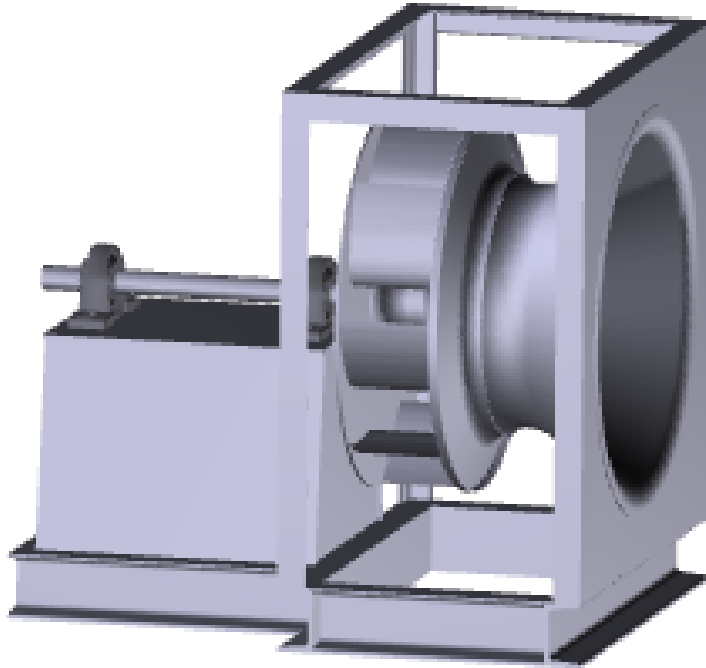
15/16.5/18.25/20/22.25/24.5/27/30/33



型號	A	B	B1	B2	ϕC	D	E	E1	E2	F	G	H	I	J	K	L	ϕM
SAF-P-15	550	625	350	275	$\phi 430$	340	690	170	520	650	370	280	30	610	20	330	15
SAF-P-16.5	600	690	390	300	$\phi 480$	370	720	185	535	700	370	310	30	660	20	330	15
SAF-P-18.25	660	760	430	330	$\phi 530$	410	910	205	705	790	410	350	30	730	30	350	15
SAF-P-20	730	805	440	365	$\phi 580$	450	950	225	725	860	410	390	30	800	30	350	15
SAF-P-22.25	810	895	490	405	$\phi 640$	500	1000	250	750	940	430	440	30	880	30	370	15
SAF-P-24.5	890	990	545	445	$\phi 710$	550	1150	275	875	1020	450	490	30	960	30	390	15
SAF-P-27	980	1090	600	490	$\phi 785$	600	1200	325	875	1110	470	540	30	1050	30	410	19
SAF-P-30	1100	1185	635	550	$\phi 850$	670	1320	335	985	1230	480	600	35	1170	30	420	19
SAF-P-33	1210	1305	700	605	$\phi 930$	740	1390	370	1020	1340	500	670	35	1280	30	440	19



CHIU CHAU ENTERPRISE Co., Ltd.



CHIU CHAU ENTERPRISE Co., Ltd.
Head Office: No.71, Ln. 54, Zhongxing Rd., Longtan
Township, Taoyuan County 325, Taiwan
Tel: 886-3-479-0666 Fax: 886-3-409-1333
Email: chiu.chau@msa.hinet.net
[http:// www.chiuchau.com](http://www.chiuchau.com)