



Model 438-CD

Extruded Aluminum Louver

Free Area: 57%

Specifications

Application:

The 438-CD combination drainable and adjustable louver is designed to prevent water penetration in building exterior walls for non-wind-driven rain applications. Water is channeled away from the face of the louver via built-in drain gutters into vertical downspouts that allow the water to drain at the sloped sill. The louver utilizes a built-in adjustable control damper to allow for airflow shutoff for intake and exhaust applications. The 438-CD is an AMCA certified louver.

Standard Construction:

Material: Mill finish 6063-T5 extruded aluminum
 Frame: Heavy gauge 4" deep x .081" thick
 Blade: 38° drainable .081" thick - spaced 3.5" apart
 Bird Screen: Expanded metal

Sizes:

Minimum: 12"W x 12"H
 Single-Section Maximum: 72"W x 120"H

Frame Styles:

Standard: Flush Box - No Flange
Optional: Bottom Flange Only
 Full Perimeter Flange

Options:

Insect Screen: Front
 Mounting Sleeves: 8", 10", 12", 14", or 16"

Performance Features:

57% Free Area
 Published performance ratings based on testing in accordance with AMCA Standard 500-L

Beginning Point of Water Penetration:

Free Area Velocity: 897 fpm (4.56 m/s)
 Air Volume Delivered: 8,243.4 cfm (3.89 m³/s)

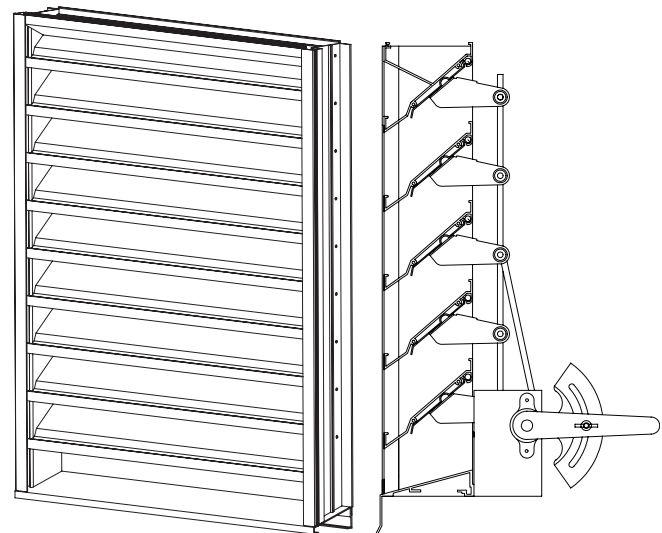


Certified Ratings:

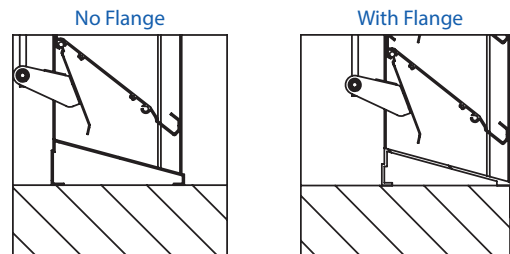
Aire Technologies certifies MODEL 438-CD shown here is licensed to bear the AMCA seal. The ratings shown are based on tests and procedures performed in accordance with AMCA Publication 511 and complies with the requirements of the AMCA Certified Ratings Program. The AMCA Certified Ratings Seal applies to air performance ratings and water penetration ratings only.

Note:

All 438-CD Louvers are built 1/4" under size both directions unless ordered actual size.



Frame Styles

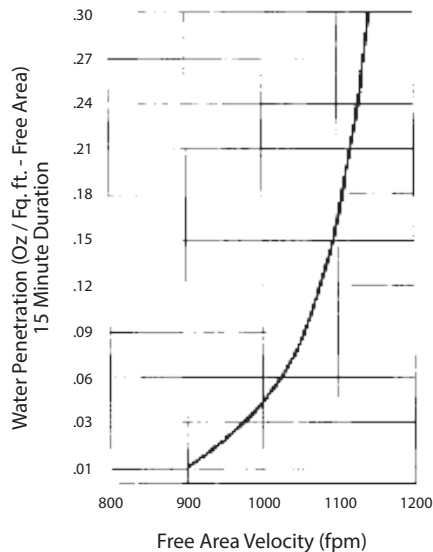


CFM And Free Area Chart For 438-SD And 438-CD (Sq. Ft)

		Width in Inches													
		12	18	24	30	36	42	48	54	60	66	72	78	84	96
Height in Inches	12	349 .39	558 .62	766 .85	975 1.09	1183 1.32	1391 1.55	1600 1.78	1808 2.02	2016 2.25	2225 2.48	2433 2.71	2641 2.94	2850 3.18	3267 3.64
	18	572 .64	914 1.02	1255 1.40	1596 1.78	1938 2.16	2279 2.54	2620 2.92	2962 3.30	3303 3.68	3644 4.06	3986 4.44	4327 4.82	4669 5.20	5351 5.97
	24	795 .89	1270 1.42	1744 1.94	2218 2.47	2692 3.00	3167 3.53	3641 4.06	4115 4.59	4590 5.12	5064 5.65	5538 6.17	6012 6.70	6487 7.23	7435 8.29
	30	1086 1.21	1734 1.93	2381 2.65	3029 3.38	3676 4.10	4324 4.82	4972 5.54	5619 6.26	6267 6.99	6915 7.71	7562 8.43	8210 9.15	8858 9.87	10153 11.32
	36	1321 1.47	2108 2.35	2896 3.23	3684 4.11	4471 4.98	5259 5.86	6047 6.74	6834 7.62	7622 8.50	8409 9.38	9197 10.25	9985 11.13	10772 12.01	12348 13.77
	42	1540 1.72	2459 2.74	3378 3.77	4297 4.79	5216 5.81	6134 6.84	7053 7.86	7972 8.89	8891 9.91	9809 10.94	10728 11.96	11647 12.98	12566 14.01	14403 16.06
	48	1800 2.01	2874 3.20	3947 4.40	5021 5.60	6094 6.79	7168 7.99	8241 9.19	9315 10.38	10388 11.58	11462 12.78	12535 13.97	13609 15.17	14682 16.37	16829 18.76
	54	2063 2.30	3293 3.67	4523 5.04	5754 6.41	6984 7.79	8214 9.16	9445 10.53	10675 11.90	11905 13.27	13136 14.64	14366 16.02	15596 17.39	16827 18.76	19287 21.50
	60	2286 2.55	3649 4.07	5012 5.59	6376 7.11	7739 8.63	9102 10.15	10465 11.67	11829 13.19	13192 14.71	14555 16.23	15918 17.75	17282 19.27	18645 20.79	21371 23.83
	66	2509 2.80	4005 4.46	5501 6.13	6997 7.80	8493 9.47	9990 11.14	11486 12.80	12982 14.47	14478 16.14	15974 17.81	17471 19.48	18967 21.14	20463 22.81	23455 26.15
	72	2800 3.12	4469 4.98	6139 6.84	7809 8.71	9579 10.57	11149 12.43	12818 14.29	14488 16.15	16158 18.01	17828 19.87	19497 21.74	21167 23.60	22837 25.46	26176 29.18
	78	3031 3.38	4839 5.39	6647 7.41	8454 9.43	10262 11.44	12070 13.46	13878 15.47	15685 17.49	17493 19.50	19301 21.52	21109 23.53	22916 25.55	24724 27.56	28340 31.59
	84	3254 3.63	5195 5.79	7135 7.95	9076 10.12	11017 12.28	12957 14.45	14898 16.61	16839 18.77	18780 20.94	20720 23.1P	22661 25.26	24602 27.43	26542 29.59	30424 33.92
96	3776 4.21	6029 6.72	8281 9.23	10533 11.74	12785 14.25	15038 16.76	17290 19.28	19542 21.79	21794 24.30	24047 26.81	26299 29.32	28551 31.83	30803 34.34	35308 39.36	

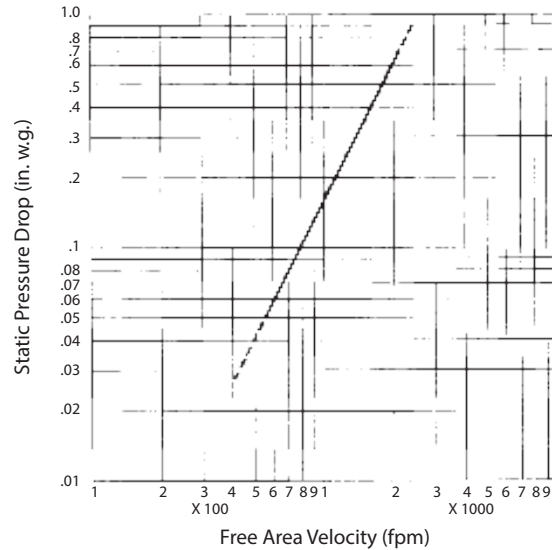
This table has been developed to assist in application and selection of these louvers. Two numbers are shown for each louver size. The upper number shows CFM of air flow permitted when selecting an intake louver at the point of zero water penetration. Pressure drop when using this Selection Guide for an intake louver will be 0.13"wg. The lower number shows Sq. Ft. of louver free area for each louver size. Louvers may be selected at other operating points on the Performance Curves if desired using the formula. CFM=Free Area (sq.ft.) X Free Area Velocity (fpm)

Water Penetration Chart



Water Penetration Data applies to test unit size 48" x 48" only. Beginning of Water Penetration is 897 fpm Free Area Velocity.

Air Performance Chart



The performance shown is done at standard air density, 0.075lbs./ft. The pressure drop data applies to the intake side of the test unit that was 48" x 48" only.

The AMCA certified rating Seal applies to air capacities in intake mode only. Ratings do not include the effects of birdscreens.



Aire Technologies certifies MODEL 438-CD shown here is licensed to bear the AMCA seal. The ratings shown are based on tests and procedures performed in accordance with AMCA Publication 511 and complies with the requirements of the AMCA certified Ratings Program. The AMCA Certified Ratings Seal applies to air performance ratings and water penetration ratings only.

