

# *BCE* Series

## **SINGLE INLET CENTRIFUGAL FAN**

*With Backward Inclined Wheels*



POWER VENTILATOR  
45GD

封面風機顏色僅供參考



因為有您的支持  
陽鼎實現了大家的夢！

我們擁有...

世界級的認證

通風設備性能與耐溫測試實驗室



**常溫風機性能測試設備**  
Fan Performance Testing Facility

- 測試標準 (Standards)
- AMCA 210-85
  - BS 848-1
  - ISO 5801
  - DIN 24163-2

**消音箱/消音百葉測試設備**  
Silencer / Acoustical Louver Testing Facility

- 測試標準 (Standards)
- ASTM-E477
  - ISO 7235

**風門、百葉壓損測試設備**  
Louver Pressure Drop Testing Facility

- 測試標準 (Standards)
- AMCA 500



**排煙閘門洩漏測試設備**  
Smoke Damper Leakage Testing Facility

- 測試標準 (Standards)
- AMCA 500
  - ISO 10294
  - UL 555S
  - GB 15930

**隧道通風機振動/推力測試設備**  
Jet Fan Thrust Testing Facility

- 測試標準 (Standards)
- ISO 13350
  - BS 848-10



全響室迴風出口  
Exhaust Duct exit of Reverberant



流量噴嘴  
Multiple Nozzles for Flow Measurement



全響室  
Reverberant Room  
360° 旋轉噪音器  
360° Routing Microphone in Reverberant



整流裝置  
Flow Straightener



全響室迴風道裝置  
Silencer in Exhaust Duct

測試標準：

- AMCA 210-85
- BS 7346-2
- ISO 5801
- AMCA 300
- BS 848-1
- ISO 7235
- AMCA 500
- BS 848-2
- ISO 10294
- AS 4429
- BS 848-10
- ISO 13350
- ASTM-E477
- GA 211
- UL 555
- ASHRAE 149
- GB 15930
- UL 555S
- DIN 24163-2
- prEN 12101-3



**防火風門測試設備**  
Fire Damper Testing Facility

- 測試標準 (Standards)
- UL 555





Flowtech®

# BCE Series

## SINGLE INLET CENTRIFUGAL FAN with Backward Inclined Wheels

Low and Medium pressure high efficiency centrifugal fan

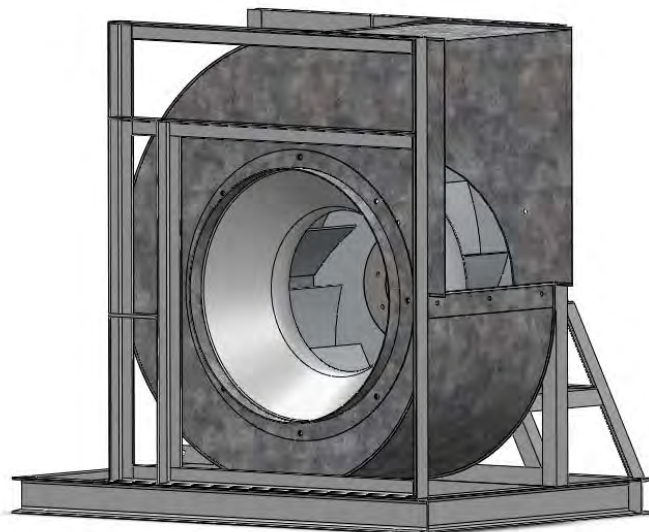


Flowtech Co., Ltd. Certifies that Model BCE shown on pages 17-32 and 37-52 is licensed to bear the AMCA Seal. The ratings shown are based on tests and procedures performed in accordance with AMCA Publication 211 and AMCA Publication 311 and comply with requirements of the AMCA Certified Ratings Program.



POWER VENTILATOR  
45GD

BCE Series are listed for electrical  
(UL/cUL 705) File no. E323432





### BCE Series Single Inlet Centrifugal Fans – Backward wheels

The BCE series is SWSI centrifugal fans with high efficiency non-overloading backward curved impellers. The fans are auditable for supply or extract applications in commercial, process and industrial HVAC systems. Sizes of this are in accordance with AMCA standard 99-0098-76 R20.

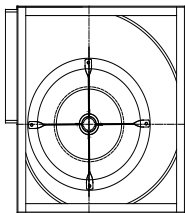
#### Type / Operating Limit

	Model 250-280	Model 315-630	Model 710-2000
Type M	I		
Type M-T		I	
Type H-T		II	I
Type V-T		III	II
Type X-T			III

Each fan type has its maximum operation speed and power due to its mechanical design.

The operating limit of BCE series – fan type is design to meet the requirement of class I, II and III limit as defined in AMCA standard 99-2408-69.

The BCE series is available in type M, H, V ,X,T

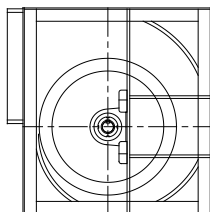


**Type M** This type has a frame fitted on both sides of the fan which gives better strength and rigidity and allows mounting in four different orientations.

Without outlet flange, with welded rectangular frame.

Size : 250 to 630 Volume : 0.15 to 5 m<sup>3</sup>/s Total Pressure. : up to 2000 Pa

Performance of 250,280,315 are not AMCA licensed.

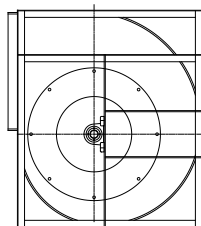


**Type H** This type has a welded frame giving increased stiffness and rigidity required for higher operating performance.

Without outlet flange, with welded rectangular frame.

Size : 315 to 2000 Volume : 0.5 to 55 m<sup>3</sup>/s Total Pressure. : up to 2000 Pa

Performance of 315 are not AMCA licensed.

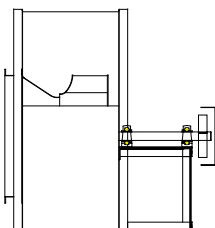


**Type V** This type is similar to type H but utilizes enhanced bearings to support higher load necessary for the increased performance.

Without outlet flange, with welded rectangular frame.

Size : 315 to 2000 Volume : 0.75 to 80 m<sup>3</sup>/s Total Pressure. : up to 3500 Pa

Performance of 315 are not AMCA licensed.



**Type T** This type is manufactured with a special frame with two bearing fixed externally to the airflow eliminating any obstruction to the inlet and allow operation with air temperature up to max. of 400°C.

Size : 315-2000 Volume : 0.75 to 80 m<sup>3</sup>/s Total Pressure. : up to 3500 Pa

Performance of 315 are not AMCA licensed.

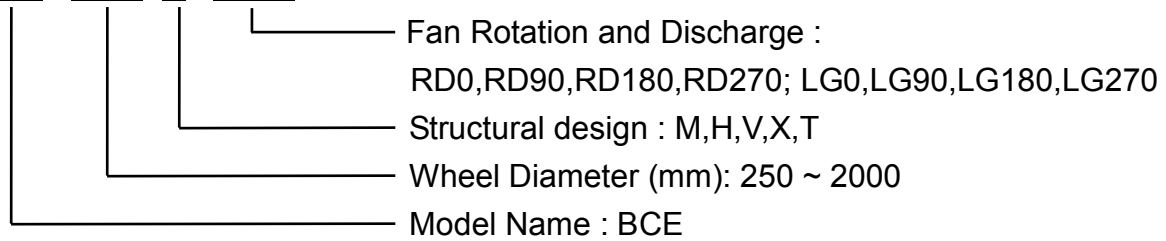
**Fig.1**

The type “X” is non-standard , for more information , please consult Flowtech co., Ltd

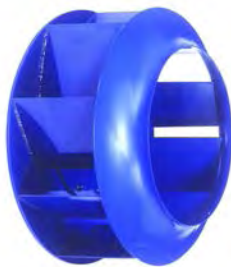


### Designation ,Formula signs

BCE - 1000- H - RD90



### TECHNICAL SPECIFICATION



#### ■ Wheel

The Wheel of BCE series is made of mild steel backward curved blades with polyester powder coating finish and fully welded. The material of wheel also made of stainless steel or aluminum. All wheels are statically and dynamically balanced to ISO1940 and AMCA 204/3-G2.5 standards.



#### ■ Shaped Inlets ( Inletcone )

The aerodynamically shaped inlets are bolted in and guarantee a perfect inlet stream onto the impeller. The inletcone is made of galvanized sheet metal or mild steel or aluminum.

#### ■ Housing

For all sizes except 1120 and above, the housing is manufactured in galvanized sheet steel with the housing fixed to the side plates in "Pittsburg lock" form system. Housings for 1250-2000 are manufactured in mild steel finished with polyester powder coating. Fully welded steel plate housing with painted finish are available for all sizes upon request.

#### ■ Frame

The frame is manufactured with galvanized angular bars for type "M". For type "H" and "V", They are manufactured with sections of steel and finished with polyester powder coating.




#### ■ Shaft

Shafts are manufactured from C45 carbon steel using an automatic process for positioning and cutting of the keyways. All dimensional tolerances of the shaft are fully checked to ensure a precision fit and then coated with an anti-corrosion varnish after assembly. Both shaft ends have as a standard feature diameters complying with ISO286. Shafts are sized to operate 20% or more below the first critical speed for each class of duty.



■ **Bearings**

Bearings used are either deep groove ball bearing type with an eccentric locking collar or an adapter sleeve, or spherical roller bearings type sealed at both sides for different duty application. Bearing are selected for continuous operation and ample size for best possible operating results. They are selected for a basic rating fatigue life (L-10) per AFBMA Standards in excess of 40,000 hours at maximum operating speed for each pressure class. L-10 is the life associated with 90% reliability of a bearing.,

<p><b>Fan Type M</b></p> 	<p>For fan type " M" are use single row, deep groove, self-aligning ball bearings with an eccentric locking collar. They are mounted in a rubber housing and sealed at both sides for light duty application. (light Duty)</p>
<p><b>Fan Type H</b></p> 	<p>For fan type "H" use single row sealed ball bearings, locked on the shaft with conical sleeve and mounted inside cast-iron blocks , with grease points, bolted to the side-frames.(Medium Duty)</p>
<p><b>Fan Type V,T</b></p> 	<p>For type "V" and "T", Bearings are mounted on cast iron supports with grease points. According to the fan duty and size, bearings use double-row ball type with conical sleeve inside split block housings.(Heavy Duty)</p>

The bearings are lubricated for life and maintenance-free. If re-lubrication is necessary, it is recommended to use a lithium base grease suitable for all temperatures within the operational limits.

■ **Balancing Quality**

All wheels are statically and dynamically balanced to ISO1940 and AMCA 204-G2.5 standards. All fans after assembly are trim-balanced to ISO1940 and AMCA 204-G2.5 standard. Clean room application fans with balancing grade of G1.0 are available upon request.

■ **Special paint & corrosion resistant coatings** : Consult Flowtech office.



## OPTIONAL ACCESSORIES

### ■ Casing Drain

This option is available when using fans exposed to the atmosphere or operating in high humidity conditions.

### ■ Outlet Flanges

Outlet flanges are in accordance with DIN 24193 sheet 2 and available upon request.

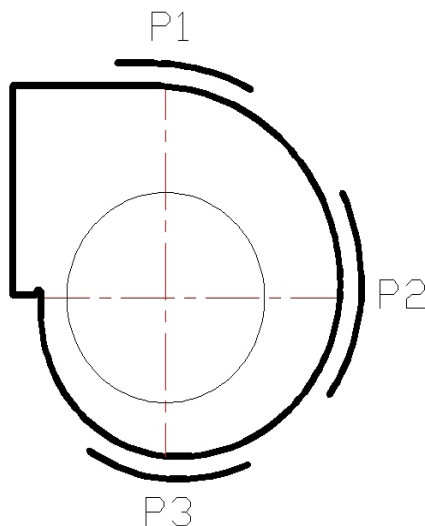
### ■ Inlet Flanges

Inlet flanges are set against the fan to facilitate installation.

It is available in two types-“L” flange or “U” flange.

### ■ Guards

Inlet guards, discharge guards and non-drive end shaft guards are available on request.



### ■ Inspection Doors

The inspection door can be supplied upon request.

It can be supplied in one of the three positions (P1, P2, & P3).

- **Stainless steel fan shafts** are available on fan sizes for applications where standard carbon steel shafts may exhibit excessive corrosion or heat stress.

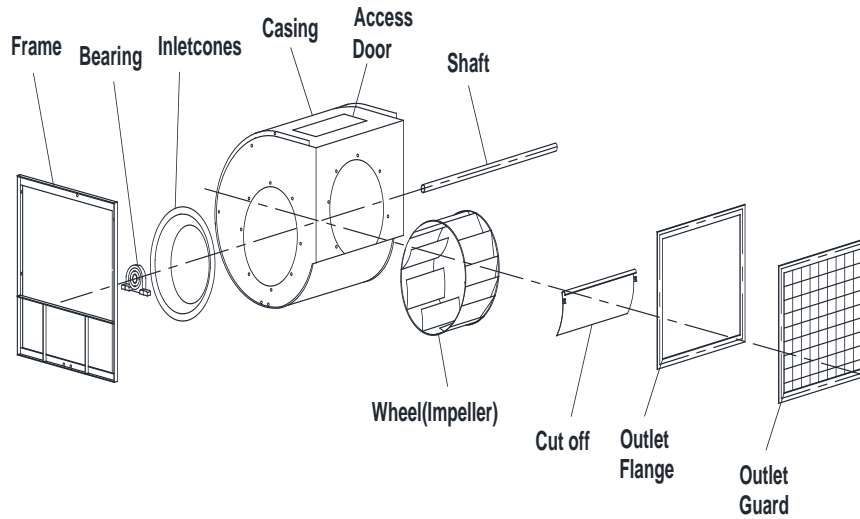
- **Split housings.** Type H, V fan can be furnished with horizontal split housings to facilitate wheel removal at additional cost. Housing splits are caulked and bolted when fan is shipped assembled.

### ■ Spring Isolation Bases and Spring Isolators

Flowtech offers a complete line of spring isolation bases with free standing or housed spring isolators. Base are available with height saving brackets for minimal fan and base height. Inertia bases built to accept poured concrete are also available.

### ■ Ignition protected versions

Ignition protected versions can be built on request, with inletcones made of aluminum, copper or with copper rubbing stripes on the edge of the inletcones. Please contact Flowtech for selection and detail.



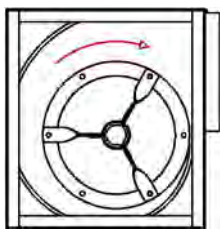
Fan layout drawing

### Fan Rotation and Discharge

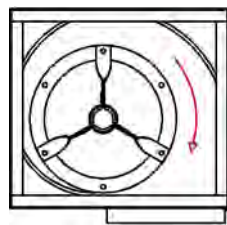
The rotation and discharge of the fan is in accordance with AMCA standard 99-2406-03.

The direction of rotation is determined from the drive side of fan [refer Fig.2]: -

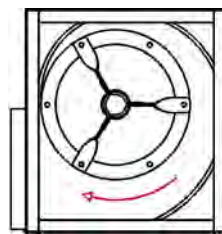
CW -clockwise rotation :



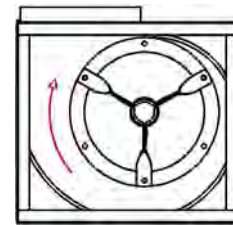
CW90



CW180

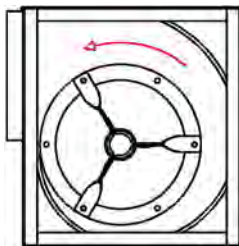


CW270

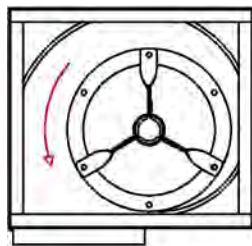


CW360

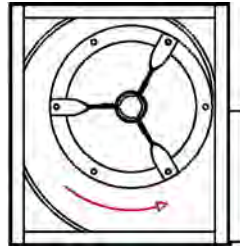
CCW -counter-clockwise rotation :



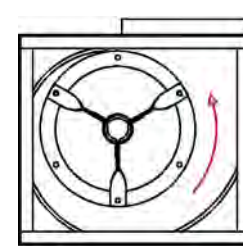
CCW90



CCW180



CCW270



CCW360

Fig.2-Fan rotation and discharge



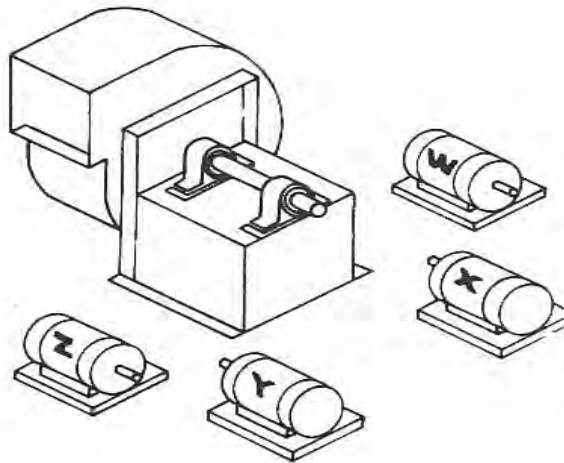


Fig. 3 – Motor Position

### Motor Position

The position of the motor for belt drive centrifugal fan is in accordance with AMCA standard 99- 2407-03.

Location of motor is determined by Facing the drive side of fan and Designating the positions by letters W, X , Y or Z [ refer Fig. 3 ]

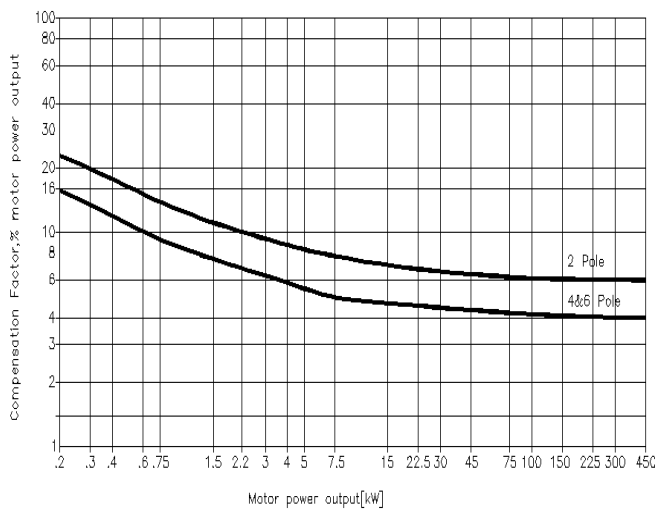


Fig.4-Recommended for motor compensation

### Motor Selection

The power curve shown on each Performance curve represents the Absorbed power at the shaft of the fan measured in kW.

To determine the power of the motor to be installed, a correction Factors as shown in fig. 4 should be applied to compensate for transmission losses.

For conversion to horsepower (HP), use multiplying factor 1.34.



## Dynamic Pressure

The dynamic pressure and outlet air velocity shown on each curve are both calculated on the full air discharge area i.e. ducted outlet conditions.

With free outlet conditions the velocity pressure is higher. To determine this value multiply the velocity Pressure of the ducted outlet obtained from the fan curve by the following correction factor “K”

Fan performances calculated with this correction factors are not licensed by AMCA.

$$[ K = 2.2 ]$$

## Performance

The performance data show on each diagram has been tested and measured in accordance to AMCA Standard 210 – Fig 15 – installation type D (ducted inlet and ducted outlet condition).

Ratings are referred to the standard air density with the total pressure as function of the air volume, using logarithmic scales.

It is essential that, the same installation type and test standards are used at all times, when comparing fan performances.

## Noise

The noise level shown on each diagram refer to the sound power “A-weighted” and the data on the inlet side has been measured in accordance with AMCA Standard 300 figure 3 – installation Type “D”.

The noise level of the fan determined as follows :

- Outlet Sound power level ( “A” scale ) :  $L_{wo}(A)$  as catalogue
- Outlet Octave band spectrum :  $L_{wo}$  as catalogue
- Sound pressure level :
  - Free field :  $L_p(A) = L_{wo}(A) - (20\log_{10}d) - 11$
  - Room conditions :  $L_p(A) = L_{wo}(A) - (20\log_{10}d) - 7$

Where d : distance between the fan and the microphone in m .

## Sound power

Sound power data is charted for the full range of speed and percent of fan flow rate (%POF) for each unit size. The %POF is a convenient way to indicate the operating point (pressure and fan flow rate, cmm) for given fan speed. To calculate %POF for a given fan size, use the equation shown below. Because the constant K in the equation changes for each fan size, use the equation which is located on the specific performance page.

$$\%POF = \frac{CMM \times 3531.5}{RPM \times K}$$

Use the following to calculate sound power data for a specific Fan speed and %POF:

1. Determine the eight sound power levels for the specified %POF using the higher Fan RPM shown.
2. Determine the eight sound power levels for the specified %POF using lower Fan RPM shown.
3. Interpolate between the higher and lower sound power levels using the specified RPM.



**Minimum diameter recommended for the smallest transmission pulley.**

	Size	355			400			450		
		M-T	H-T	V-T	M-T	H-T	V-T	M-T	H-T	V-T
Rating power	4	85								
	5.5	100	90		112			112		
	7.5	112	112	100	140	100		125	112	
	11		125	112		132		180	140	
	15			118		180	118		180	125
	18.5						140			140
	22						150			160
	30									212

	Size	500			560			630		
		M-T	H-T	V-T	M-T	H-T	V-T	M-T	H-T	V-T
Rating power	5.5	125								
	7.5	132	132		140			140		
	11	160	150		180	150		180	150	
	15		200	140	224	200		250	200	
	18.5			140		224	150		250	180
	22			150			160			180
	30			200			212			236
	37									280

	Size	710		800		900		1000	
		H-T	V-T	H-T	V-T	H-T	V-T	H-T	V-T
Rating power	11								
	15	224		200					
	18.5	250		250		160			
	22	315	180	280	180	180		180	
	30		224		212	250	212	236	212
	37		250		250		224	315	224
	45						224		224
	55						250		250
	75						280		280



BCE Series



## Operational Limits - "BCE"

			250	280	315	355	400	450	500	560	630	710	800	900	1000	1120	1250	1400
Maximum Absorbed Power	<b>M</b>	kW	0.8	1	0.8	2.5	4	4	5	6	8							
	<b>H</b>	kW			1.5	5	8	10	10	12.5	15	10	15	15	20	20	25	40
	<b>V</b>	kW			2	8	10	12.5	15	20	20	20	30	40	40	50	60	80
	<b>X-T</b>	kW			2	8	10	12.5	15	20	20	30	40	50	60	80	100	125
Maximum Fan Speed	<b>M</b>	rpm	4600	4100	3100	2950	2650	2300	2100	1900	1600							
	<b>H</b>	rpm			3900	3800	3500	3100	2550	2400	2100	1450	1300	1150	1000	900	800	750
	<b>V</b>	rpm			4300	4200	3800	3350	3000	2650	2300	1850	1700	1500	1300	1200	1050	950
	<b>X-T</b>	rpm			4300	4200	3800	3350	3000	2650	2300	2100	1850	1650	1500	1350	1200	1100
Air Temperature Min.-20° C	<b>M</b>	Max. °C	85	85	85	85	85	85	85	85	85							
	<b>H-V</b>	Max. °C	100	100	100	100	100	100	100	100	100	100	100	100	100	100	100	100
Wheel	Diameter		250	280	315	355	400	450	500	560	630	710	800	900	1000	1120	1250	1400
	Weight		2.9	4.2	5	6.4	8.4	12	15.8	19.6	26.4	45	64.2	78.8	99.7	165	197	230
	$J=PD^2/4$		0.031	0.056	0.086	0.14	0.23	0.42	0.68	1.05	1.78	3.85	6.97	10.9	17	34.4	49.3	75
Fan weight	<b>M</b>	kg	17.5	22.5	21.4	28.5	34.5	46	58	71	88							
	<b>H-V</b>	kg			33	43	53	58	73	95	113	192	233	289	336	585	782	1058
	<b>T</b>	kg			40	53	64	72	88	115	133	216	263	324	374	624	861	1165

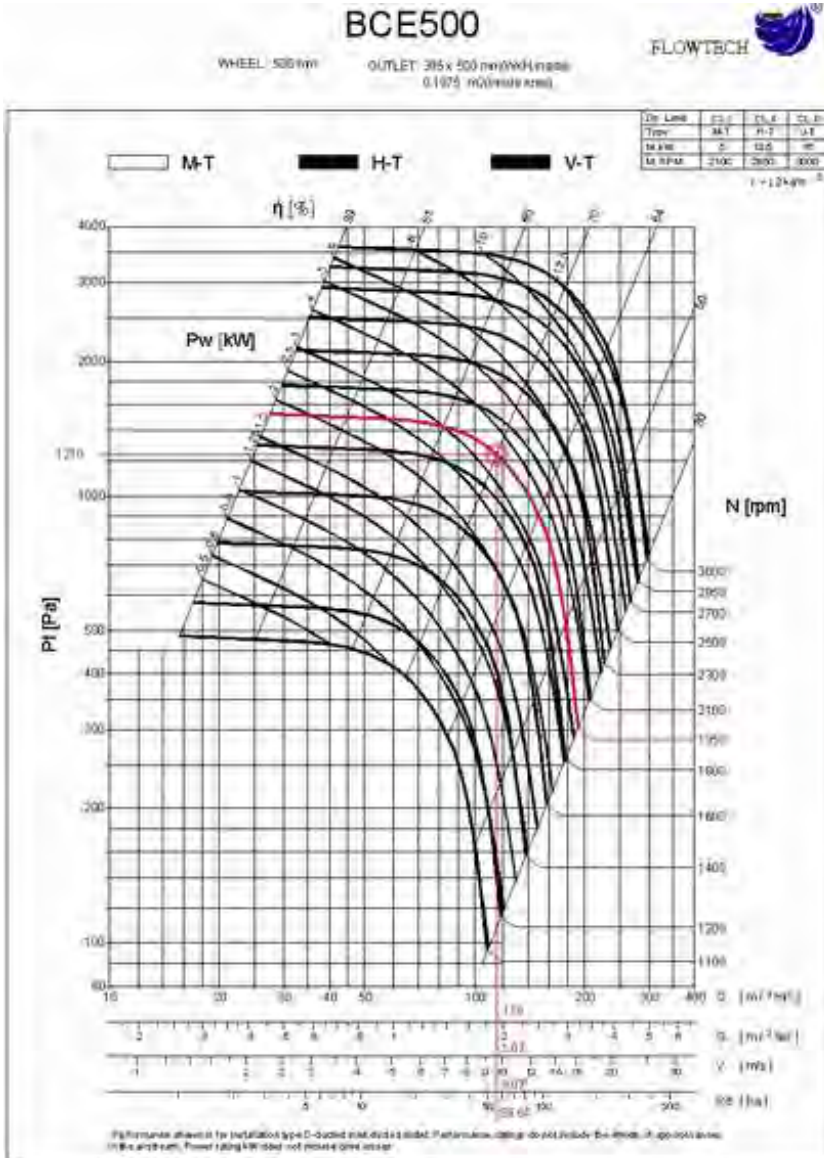


## 'BCE' OUTLET AREAS AND PAGE NUMBERS

Fan Size	Outlet Width mm	Outlet Height mm	Outlet Area (Inside area) m <sup>2</sup>
250	200	250	0.0500
280	218	280	0.0610
315	250	315	0.0787
355	280	355	0.0994
400	316	400	0.1264
450	358	450	0.1611
500	395	500	0.1975
560	445	560	0.2492
630	500	630	0.3150
710	565	710	0.4012
800	635	800	0.5080
900	715	900	0.6435
1000	795	1000	0.7950
1120	890	1120	0.9968
1250	992	1250	1.2400
1400	1110	1400	1.5540
1600	1270	1600	2.0320
1800	1430	1800	2.5740
2000	1590	2000	3.1800



# Examples of selection



- Air Volume             $Q = 1.97 \text{ m}^3/\text{s}$
- Outlet Velocity         $V = 9.97 \text{ m/s}$
- Dynamic Pressure     $P_d = 59.64 \text{ Pa}$
- Total Pressure       $P_t = 1210 \text{ Pa}$
- Fan Speed              $N = 1950 \text{ rpm}$
- Absorbed Power       $P_w = 4 \text{ kW}$
- Total Efficiency       $\eta = 70 \%$



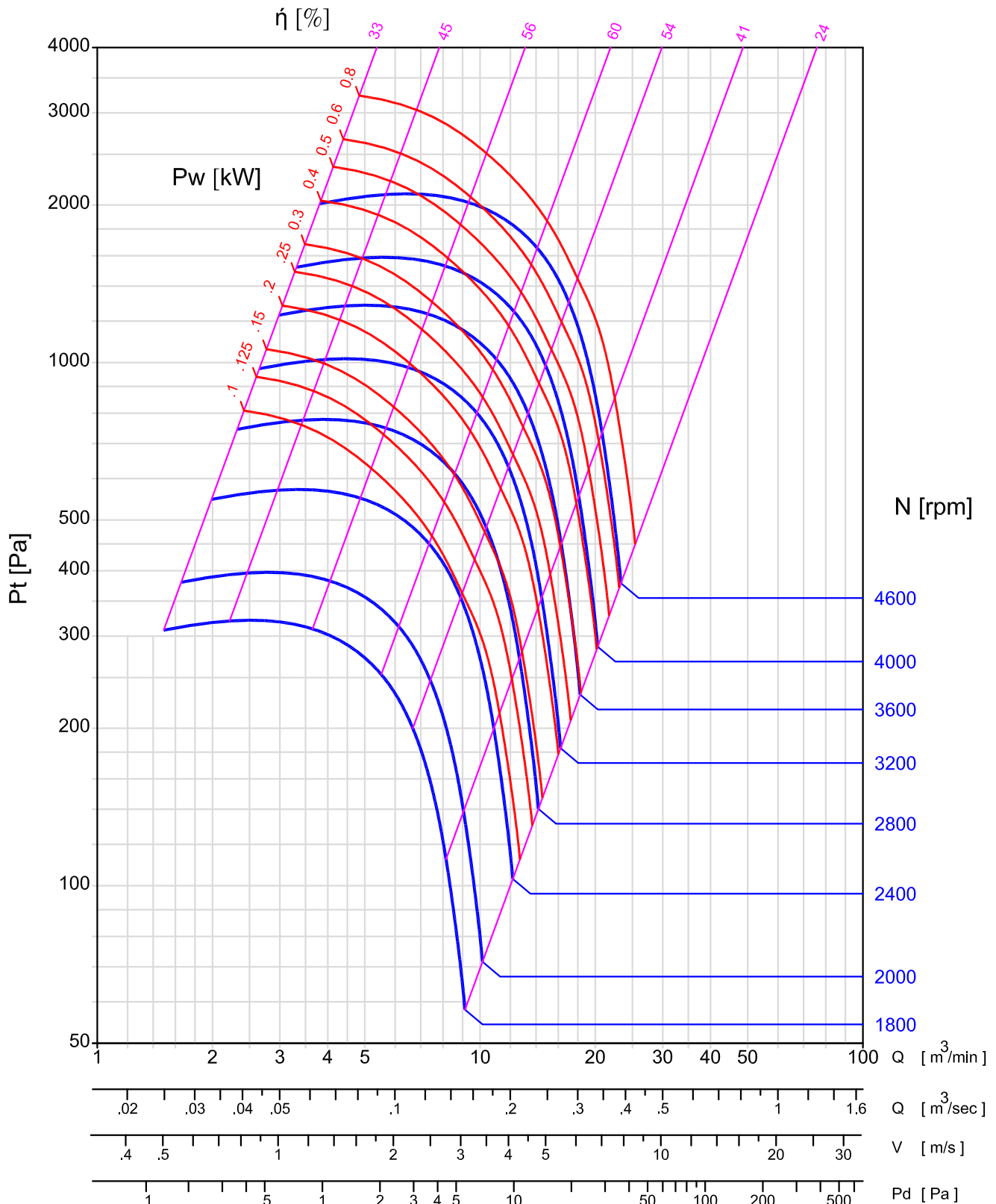
# BCE250



WHEEL : 250 mm OUTLET: 200 x 250 mm(WxH,inside)  
: 0.05 m<sup>2</sup>(inside area)

Op. Limit	CL.I
Type	M
M. kW	0.8
M. RPM	4600

$\rho = 1.2 \text{ kg/m}^3$



-Performance certified is for installation type D: ducted inlet, ducted outlet. Performance ratings do not include the effects of appurtenances (accessories). Power rating (kW) does not include transmission losses.  
- MODEL BCE250 IS NOT LICENSED TO BEAR THE AMCA CERTIFIED RATINGS SEAL.



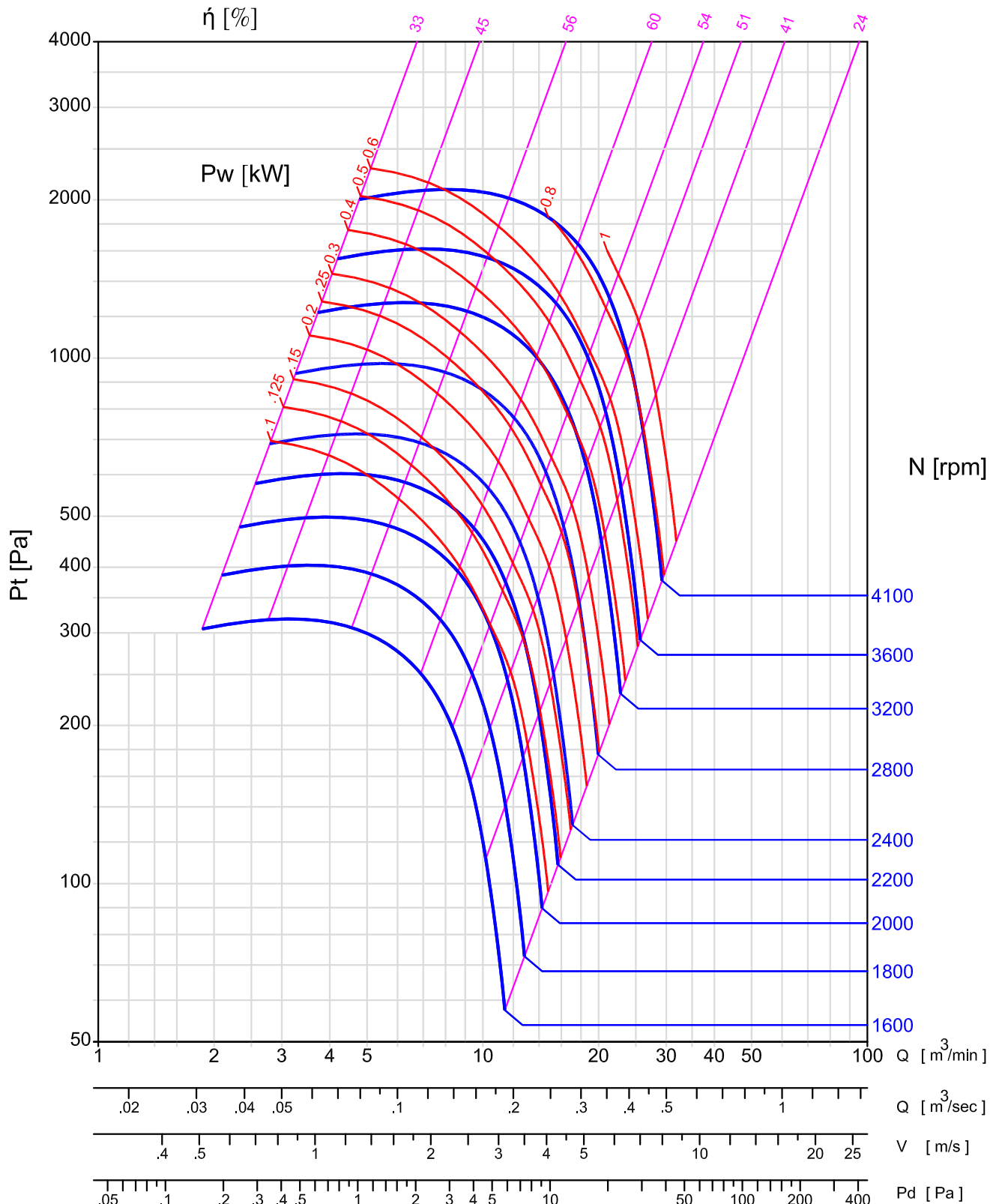
# BCE280



WHEEL : 280 mm OUTLET: 218 x 280 mm(WxH,inside)  
: 0.061 m<sup>2</sup>(inside area)

Op. Limit	CL.I
Type	M
M. kW	1
M. RPM	4100

$\rho = 1.2 \text{ kg/m}^3$



-Performance certified is for installation type D: ducted inlet, ducted outlet. Performance ratings do not include the effects of appurtenances (accessories). Power rating (kW) does not include transmission losses.  
- MODEL BCE280 IS NOT LICENSED TO BEAR THE AMCA CERTIFIED RATINGS SEAL.





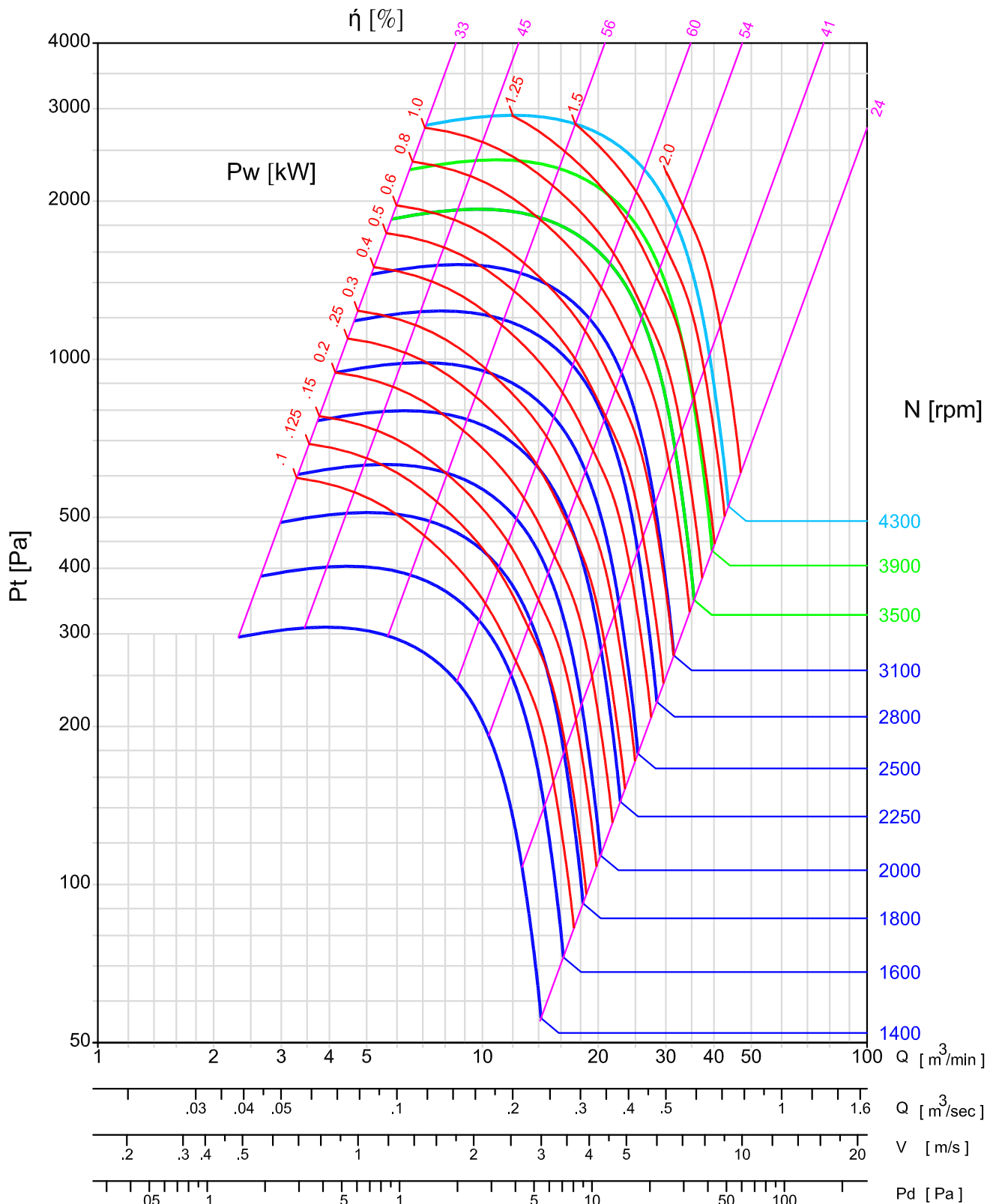
# BCE315



WHEEL : 315 mm OUTLET: 250 x 315 mm(WxH,inside)  
: 0.0788 m<sup>2</sup>(inside area)

Op. Limit	CL.I	CL.II	CL.III
Type	M-T	H-T	V-T
M. kW	0.8	1.25	2
M. RPM	3100	3900	4300

$\rho = 1.2 \text{ kg/m}^3$



-Performance certified is for installation type D: ducted inlet, ducted outlet. Performance ratings do not include the effects of appurtenances (accessories). Power rating (kW) does not include transmission losses.  
- MODEL BCE315 IS NOT LICENSED TO BEAR THE AMCA CERTIFIED RATINGS SEAL.



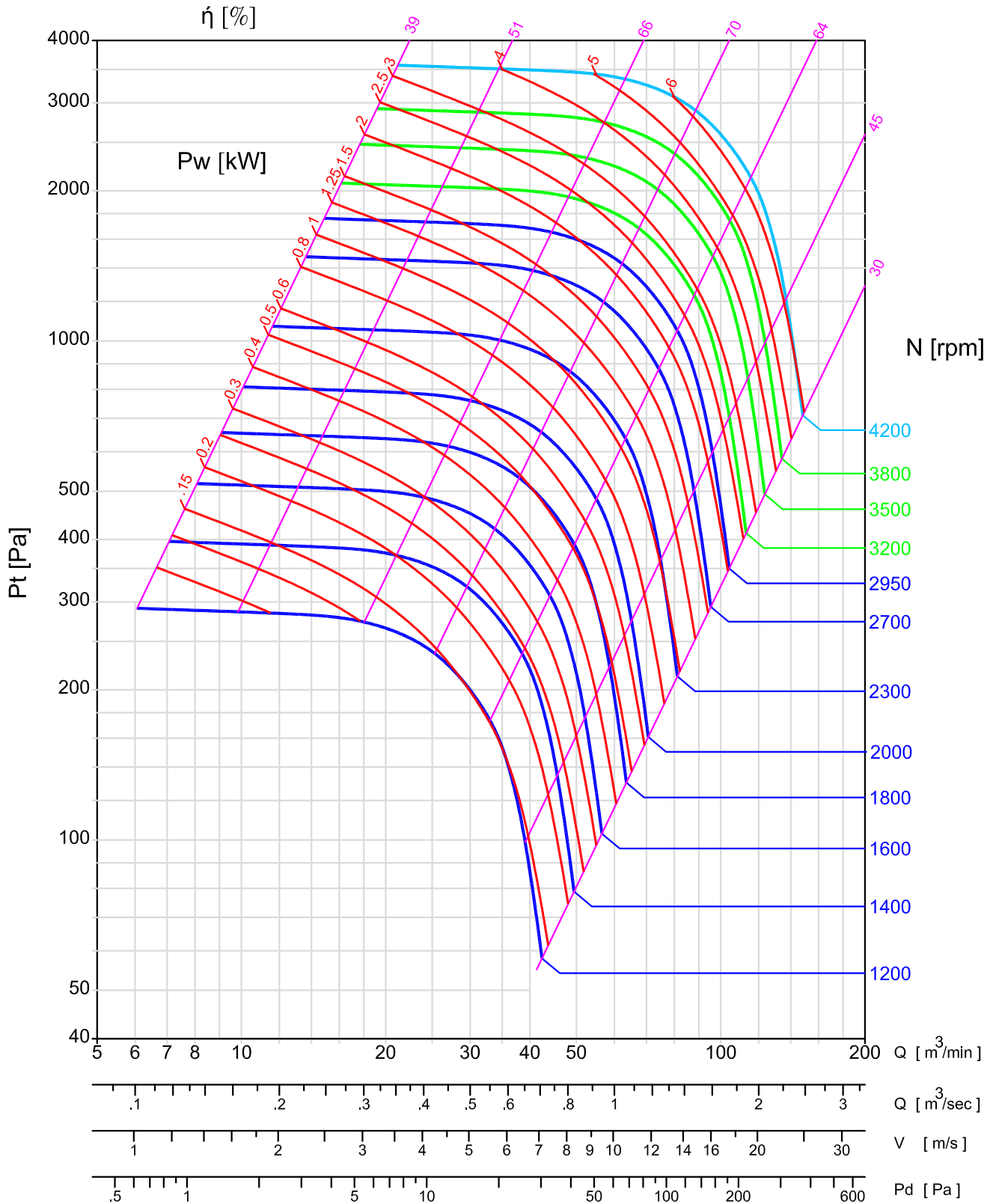
# BCE355

WHEEL : 350 mm OUTLET: 280 x 355 mm(WxH,inside)  
: 0.0994 m<sup>2</sup>(inside area)

Op. Limit	CL.I	CL.II	CL.III
Type	M-T	H-T	V-T
M. kW	2.5	5	8
M. RPM	2950	3800	4200

FEG:80

$\rho = 1.2 \text{ kg/m}^3$



-Performance certified is for installation type D: ducted inlet, ducted outlet. Performance ratings do not include the effects of appurtenances (accessories). Power rating (kW) does not include transmission losses.



# BCE400

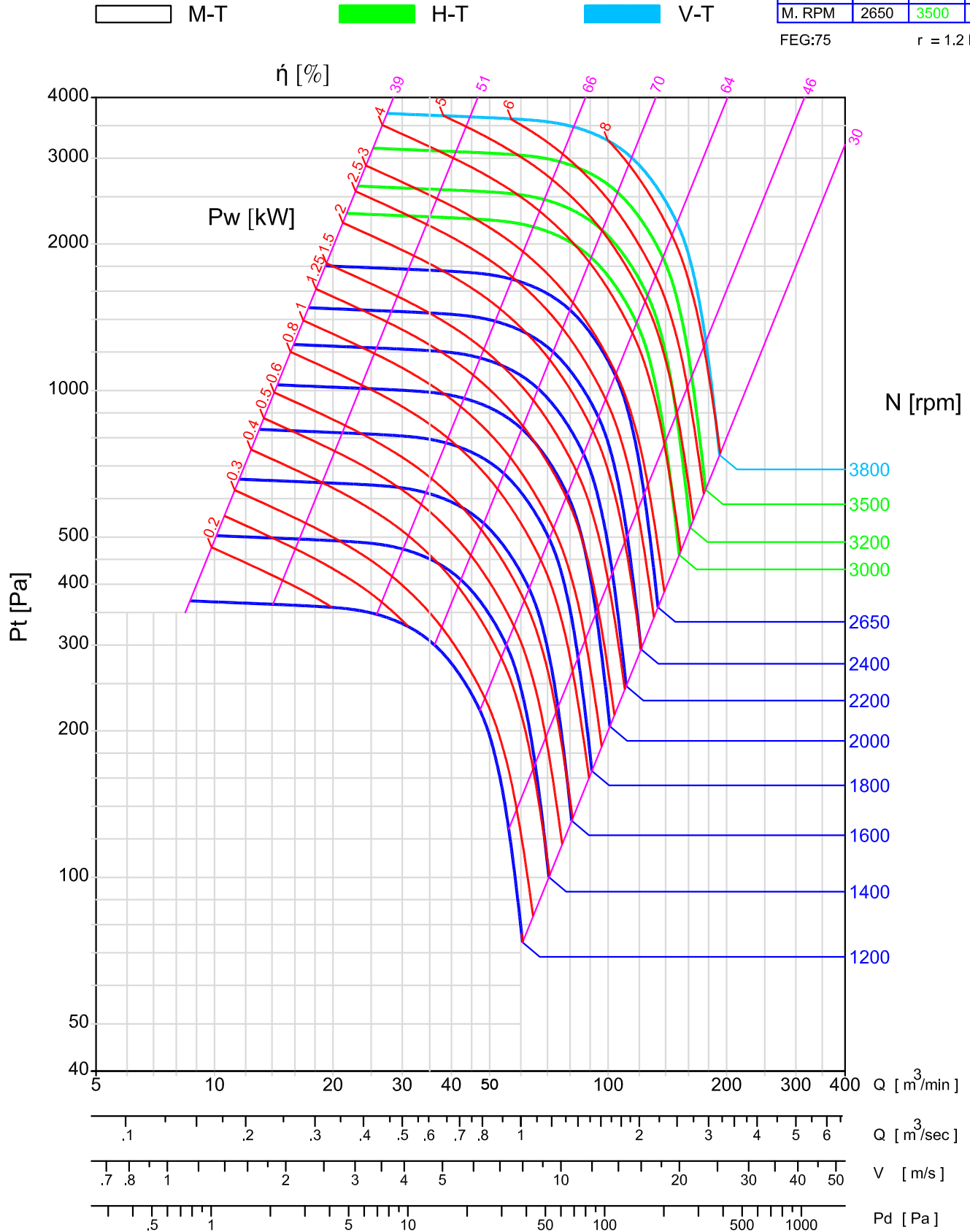


WHEEL : 400 mm    OUTLET: 316 x 400 mm(WxH,inside)  
 : 0.1264 m<sup>2</sup>(inside area)

Op. Limit	CL.I	CL.II	CL.III
Type	M-T	H-T	V-T
M. kW	4	8	10
M. RPM	2650	3500	3800

FEG:75

$\rho = 1.2 \text{ kg/m}^3$



-Performance certified is for installation type D: ducted inlet, ducted outlet. Performance ratings do not include the effects of appurtenances (accessories). Power rating (kW) does not include transmission losses.



# BCE450

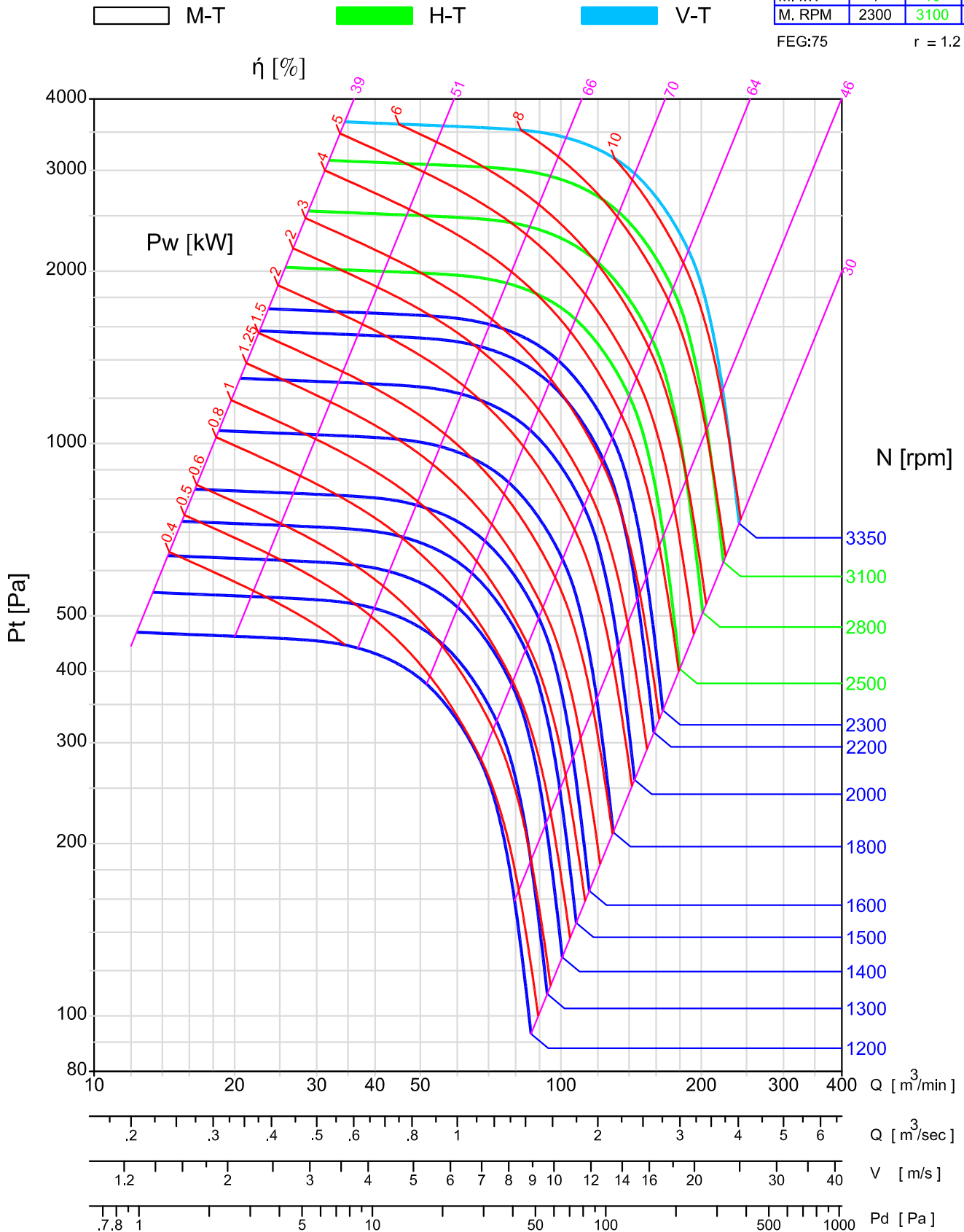


WHEEL : 450 mm OUTLET: 358 x 450 mm(WxH,inside)  
: 0.1611 m<sup>2</sup>(inside area)

Op. Limit	CL.I	CL.II	CL.III
Type	M-T	H-T	V-T
M. kW	4	10	12.5
M. RPM	2300	3100	3350

FEG:75

$\rho = 1.2 \text{ kg/m}^3$



-Performance certified is for installation type D: ducted inlet, ducted outlet. Performance ratings do not include the effects of appurtenances (accessories). Power rating (kW) does not include transmission losses.



# BCE500

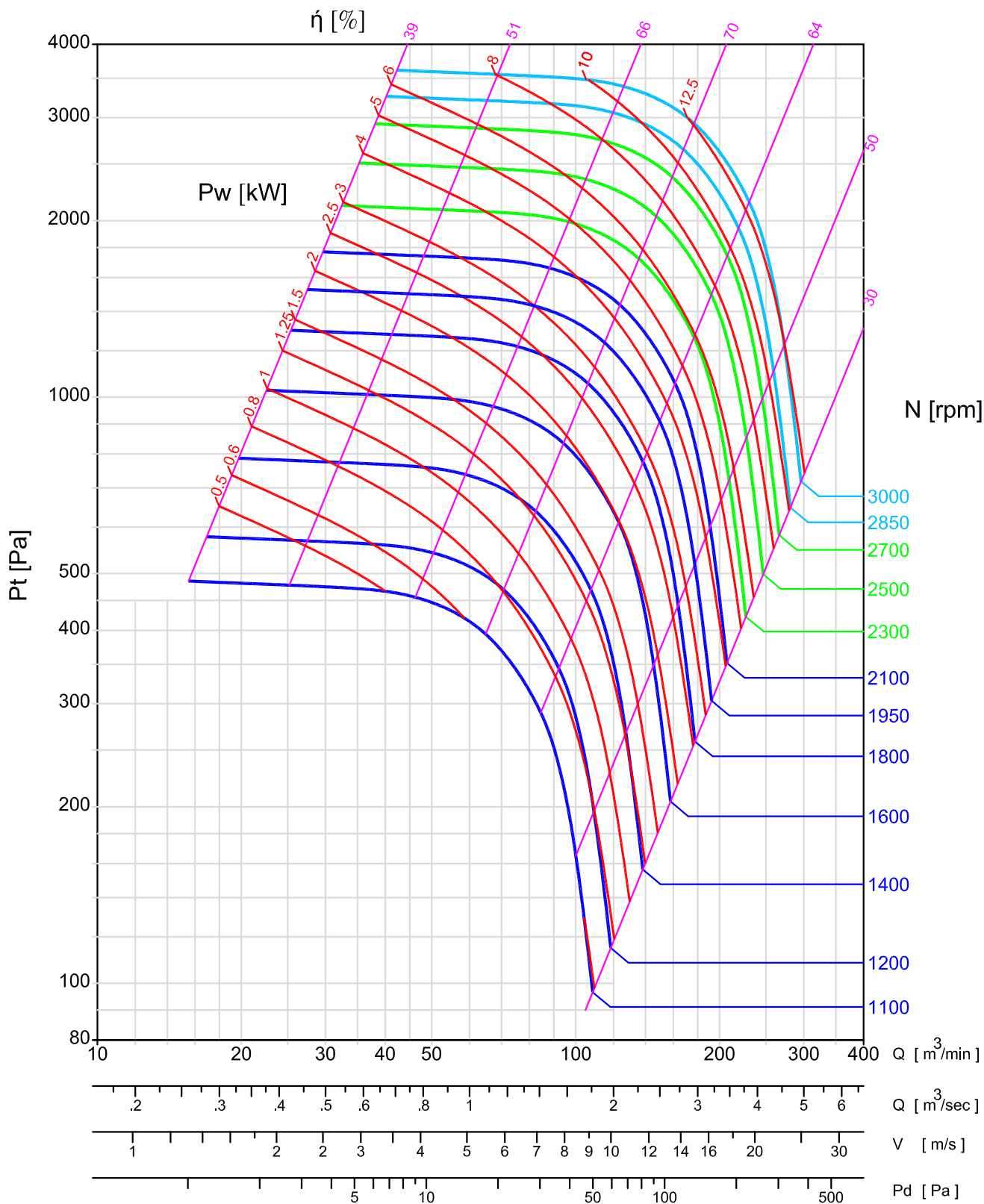


WHEEL : 500 mm OUTLET: 395 x 500 mm(WxH,inside)  
: 0.1975 m<sup>2</sup>(inside area)

Op. Limit	CL.I	CL.II	CL.III
Type	M-T	H-T	V-T
M. kW	5	10	15
M. RPM	2100	2850	3000

FEG:75

$r = 1.2 \text{ kg/m}^3$



-Performance certified is for installation type D: ducted inlet, ducted outlet. Performance ratings do not include the effects of appurtenances (accessories). Power rating (kW) does not include transmission losses.



# BCE560

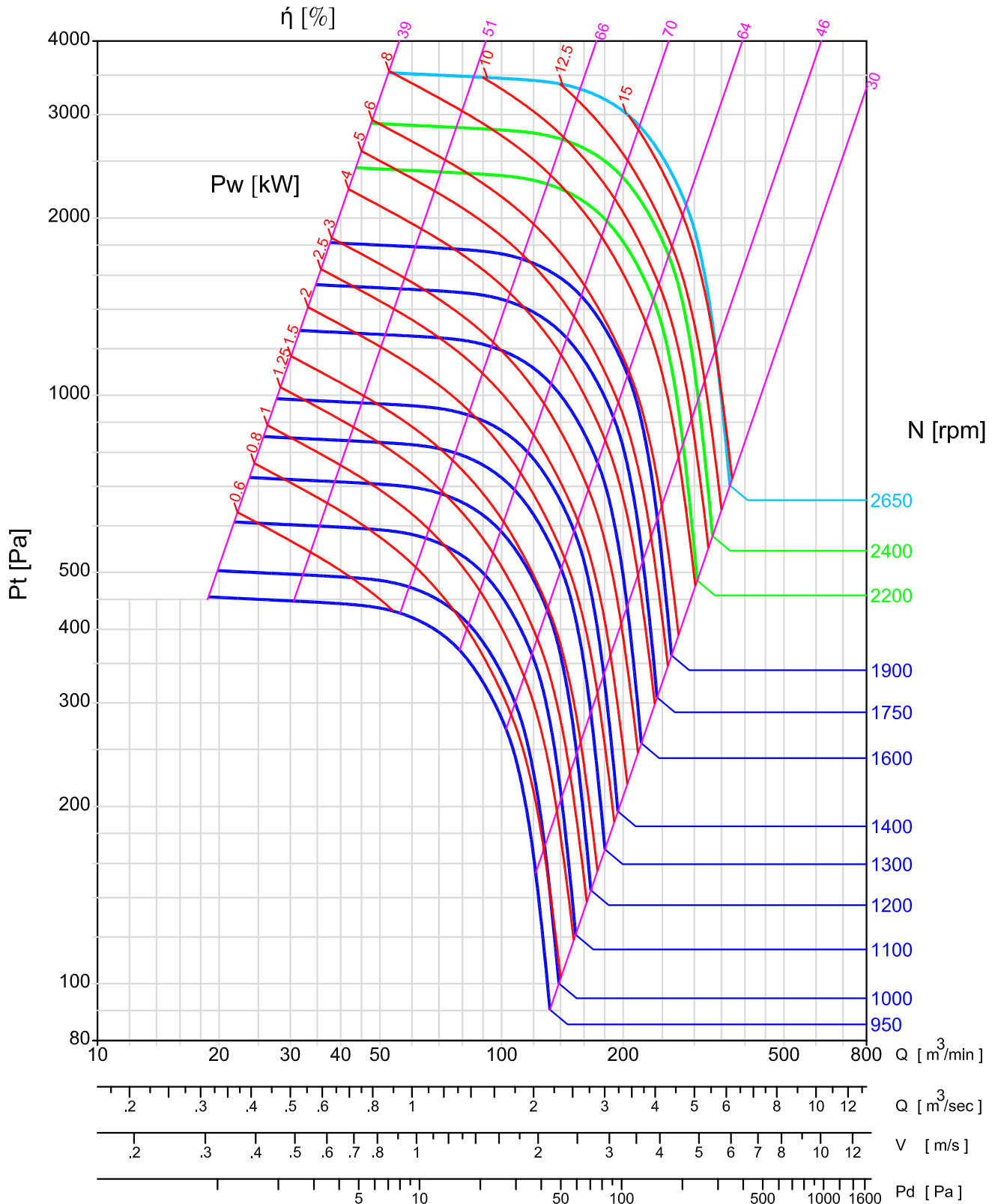


WHEEL : 560 mm OUTLET: 445 x 560 mm(WxH,inside)  
: 0.2492 m<sup>2</sup>(inside area)

Op. Limit	CL.I	CL.II	CL.III
Type	M-T	H-T	V-T
M. kW	6	12.5	20
M. RPM	1900	2400	2650

FEG:75

$r = 1.2 \text{ kg/m}^3$



-Performance certified is for installation type D: ducted inlet, ducted outlet. Performance ratings do not include the effects of appurtenances (accessories). Power rating (kW) does not include transmission losses.



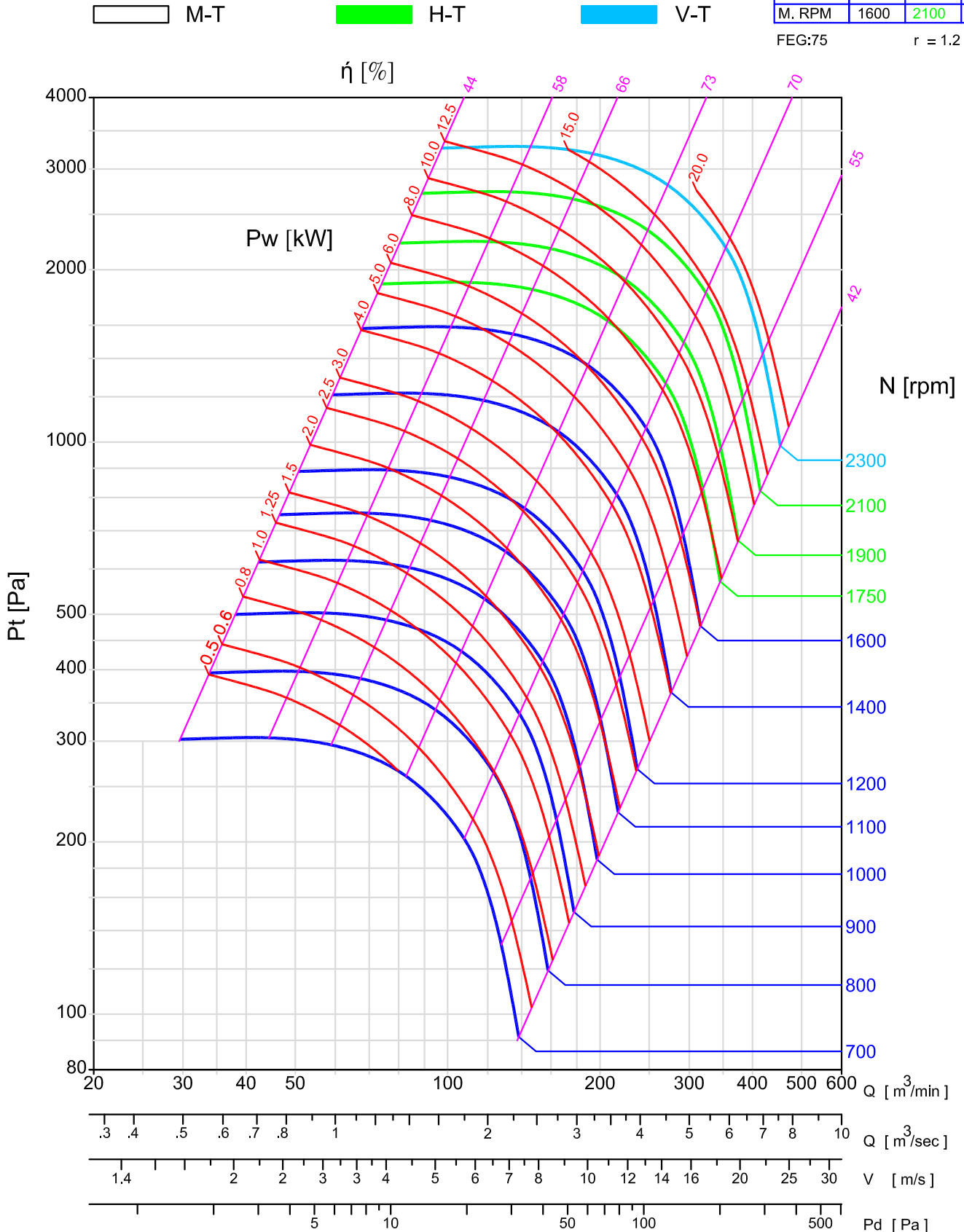
# BCE630

WHEEL : 630 mm OUTLET: 500 x 630 mm(WxH,inside)  
: 0.315 m<sup>2</sup>(inside area)

Op. Limit	CL.I	CL.II	CL.III
Type	M-T	H-T	V-T
M. kW	8	15	20
M. RPM	1600	2100	2300

FEG:75

$\rho = 1.2 \text{ kg/m}^3$



-Performance certified is for installation type D: ducted inlet, ducted outlet. Performance ratings do not include the effects of appurtenances (accessories). Power rating (kW) does not include transmission losses.



# BCE710

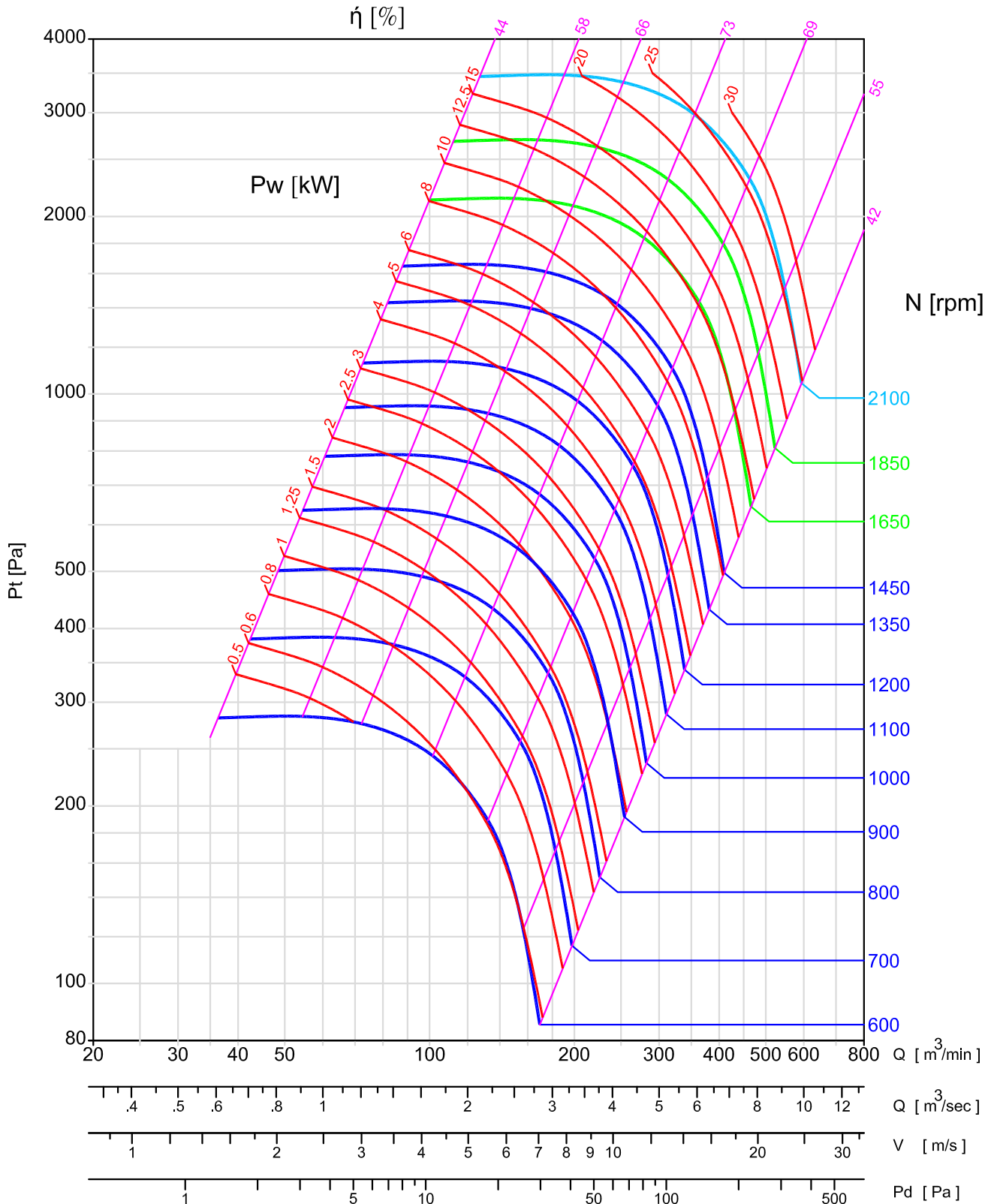


WHEEL : 710 mm OUTLET: 565 x 710 mm(WxH,inside)  
: 0.401 m<sup>2</sup>(inside area)

Op. Limit	CL.I	CL.II	CL.III
Type	H-T	V-T	X-T
M. kW	10	20	30
M. RPM	1450	1850	2100

FEG:75

$\rho = 1.2 \text{ kg/m}^3$



-Performance certified is for installation type D: ducted inlet, ducted outlet. Performance ratings do not include the effects of appurtenances (accessories). Power rating (kW) does not include transmission losses.





# BCE800

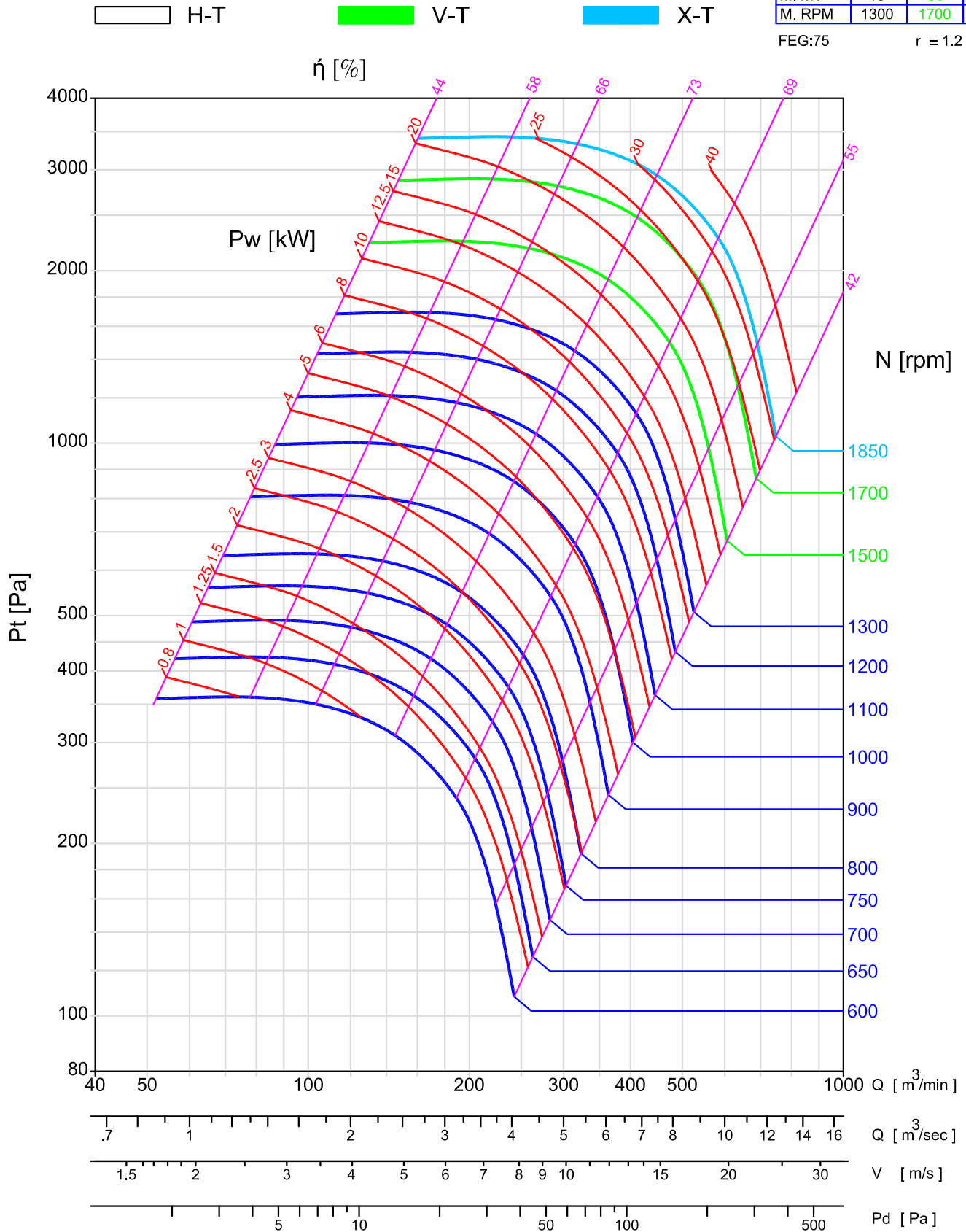


WHEEL : 800 mm    OUTLET: 635 x 800 mm(WxH,inside)  
 : 0.508 m<sup>2</sup>(inside area)

Op. Limit	CL.I	CL.II	CL.III
Type	H-1	V-1	X-T
M. kW	15	30	40
M. RPM	1300	1700	1850

FEG:75

$\rho = 1.2 \text{ kg/m}^3$



-Performance certified is for installation type D: ducted inlet, ducted outlet. Performance ratings do not include the effects of appurtenances (accessories). Power rating (kW) does not include transmission losses.



# BCE900

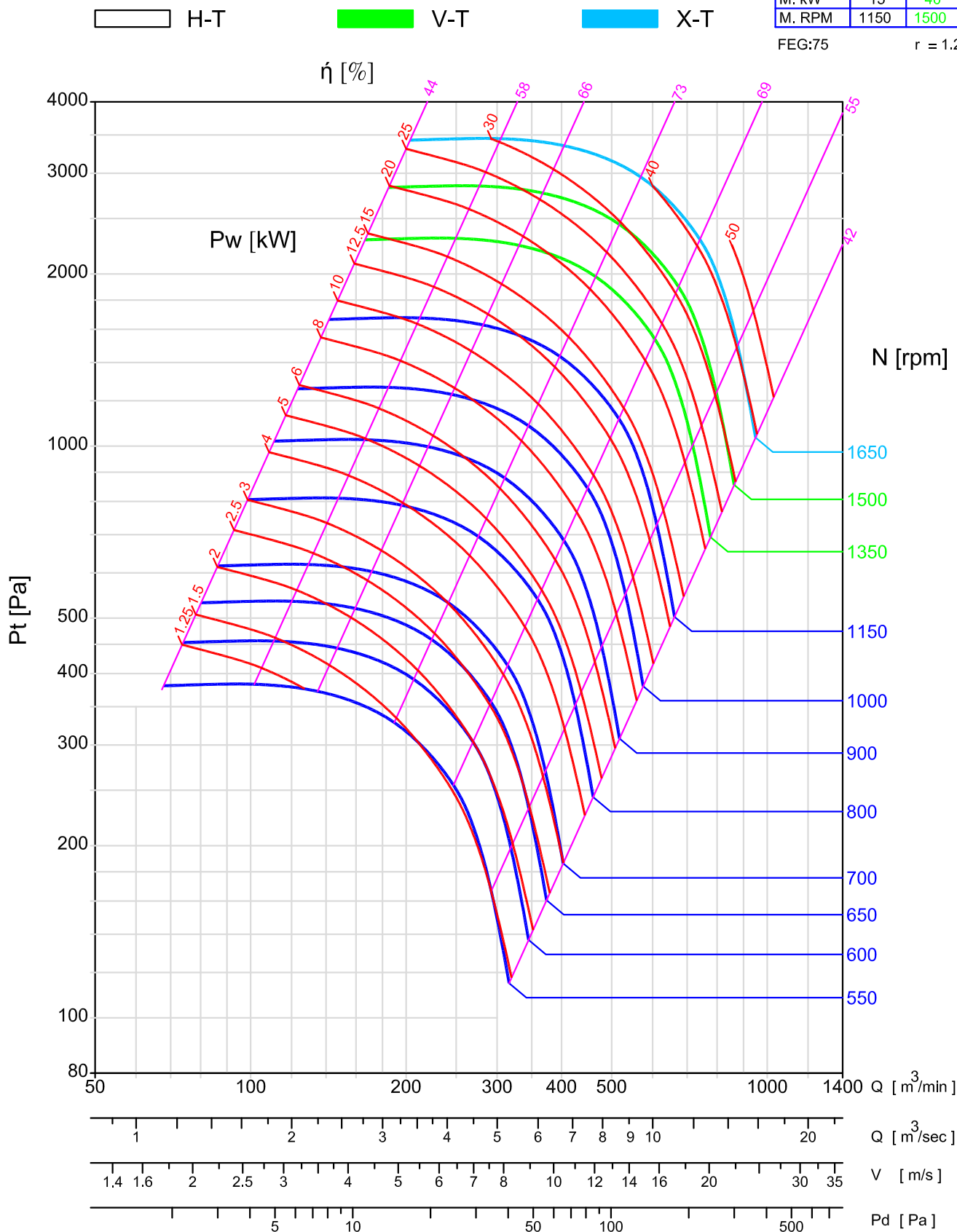


WHEEL : 900 mm OUTLET: 715 x 900 mm(WxH,inside)  
: 0.6435 m<sup>2</sup>(inside area)

Op. Limit	CL.I	CL.II	CL.III
Type	H-T	V-T	X-T
M. kW	15	40	50
M. RPM	1150	1500	1650

FEG:75

r = 1.2 kg/m<sup>3</sup>



-Performance certified is for installation type D: ducted inlet, ducted outlet. Performance ratings do not include the effects of appurtenances (accessories). Power rating (kW) does not include transmission losses.



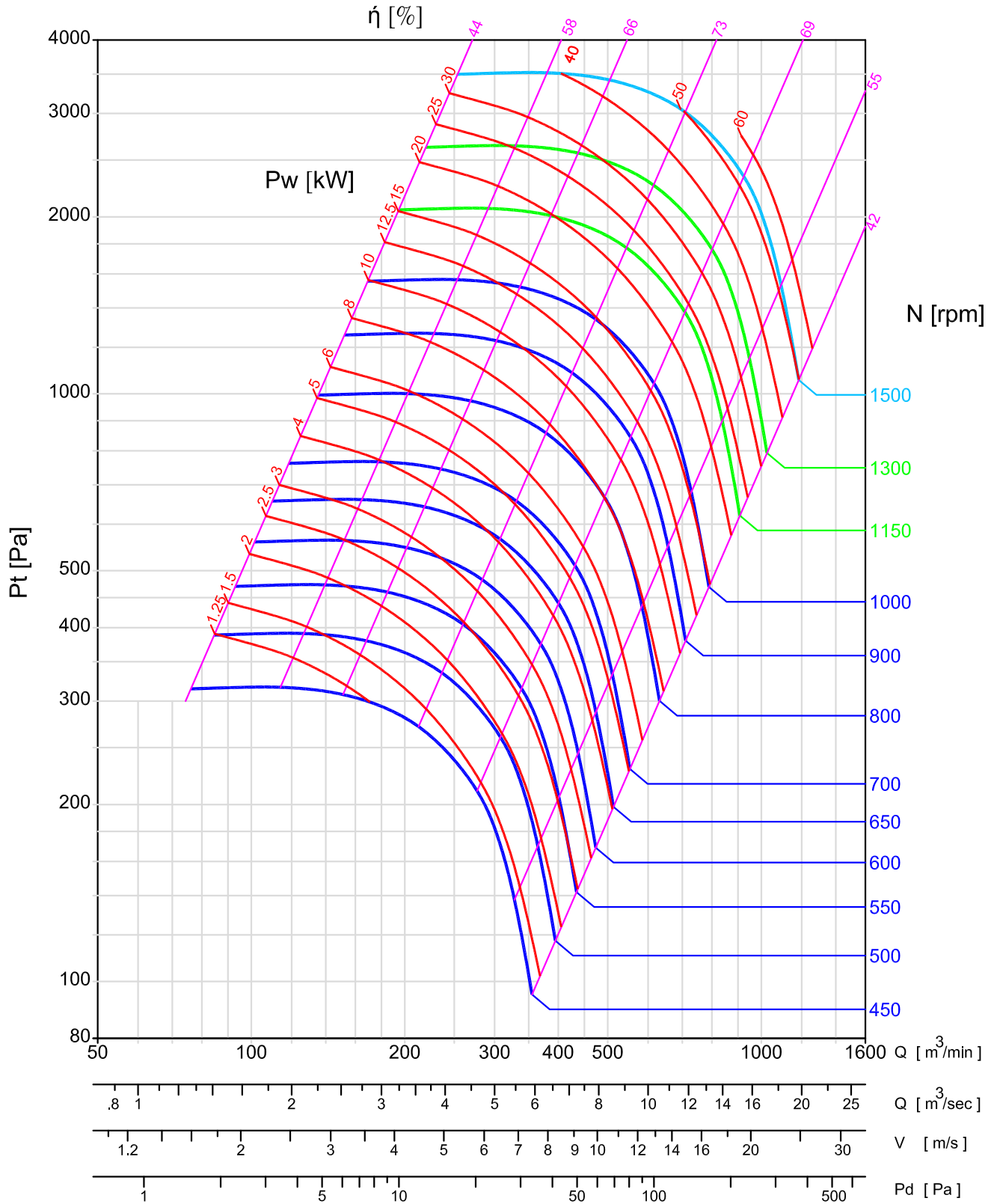
# BCE 1000



WHEEL : 1000 mm    OUTLET: 795 x 1000 mm(WxH,inside)  
 : 0.795 m<sup>2</sup>(inside area)

Op. Limit	CL.I	CL.II	CL.III
Type	H-T	V-T	X-T
M. kW	20	40	60
M. RPM	1000	1300	1500

FEG:75                      r = 1.2 kg/m<sup>3</sup>



-Performance certified is for installation type D: ducted inlet, ducted outlet. Performance ratings do not include the effects of appurtenances (accessories). Power rating (kW) does not include transmission losses.



# BCE 1 1 20

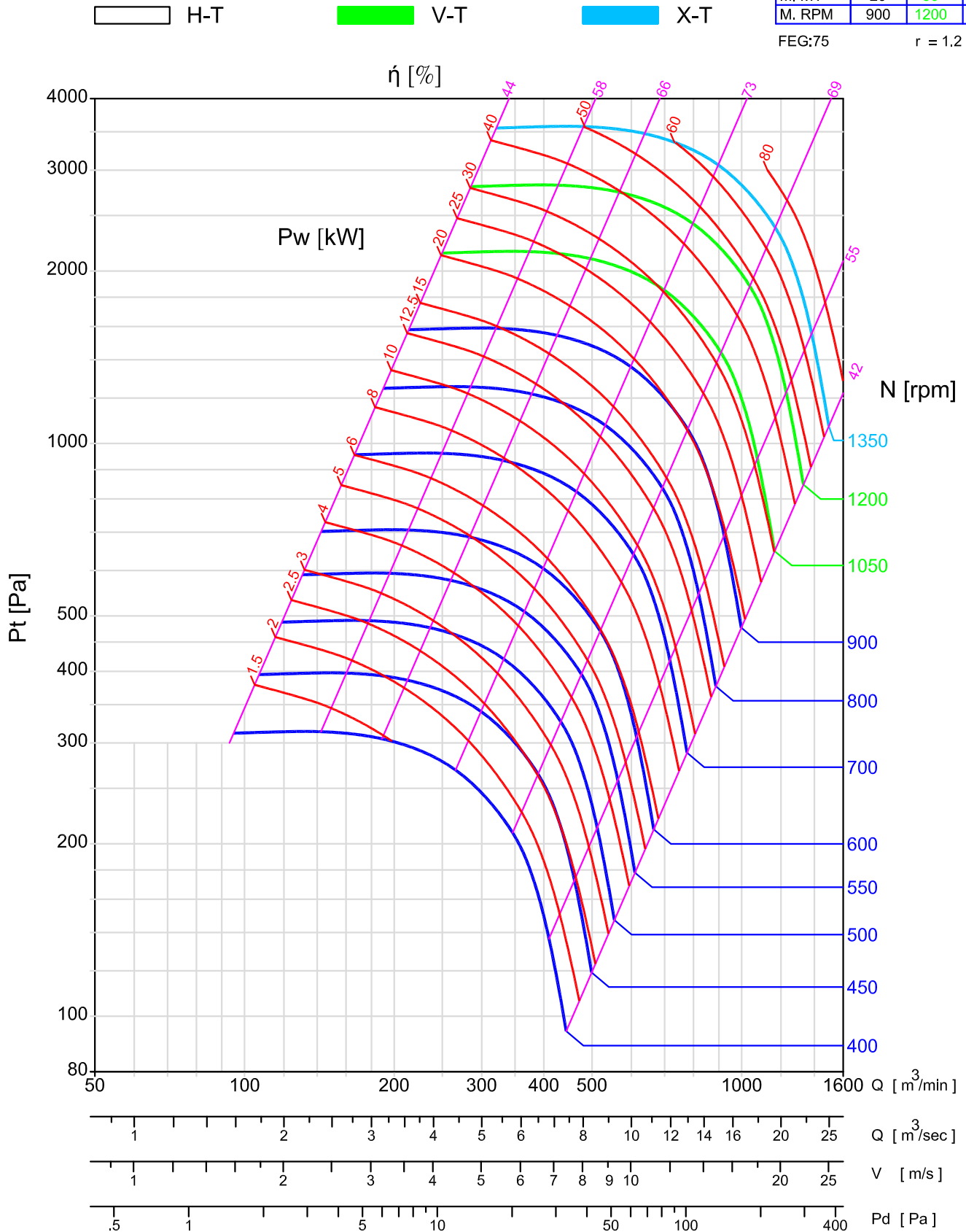


WHEEL : 1120 mm    OUTLET: 890 x 1120 mm(WxH,inside)  
: 0.9968 m<sup>2</sup>(inside area)

Op. Limit	CL,I	CL,II	CL,III
Type	H-T	V-T	X-T
M. kW	20	50	80
M. RPM	900	1200	1350

FEG:75

$\rho = 1.2 \text{ kg/m}^3$



-Performance certified is for installation type D: ducted inlet, ducted outlet. Performance ratings do not include the effects of appurtenances (accessories). Power rating (kW) does not include transmission losses.



# BCE 1250

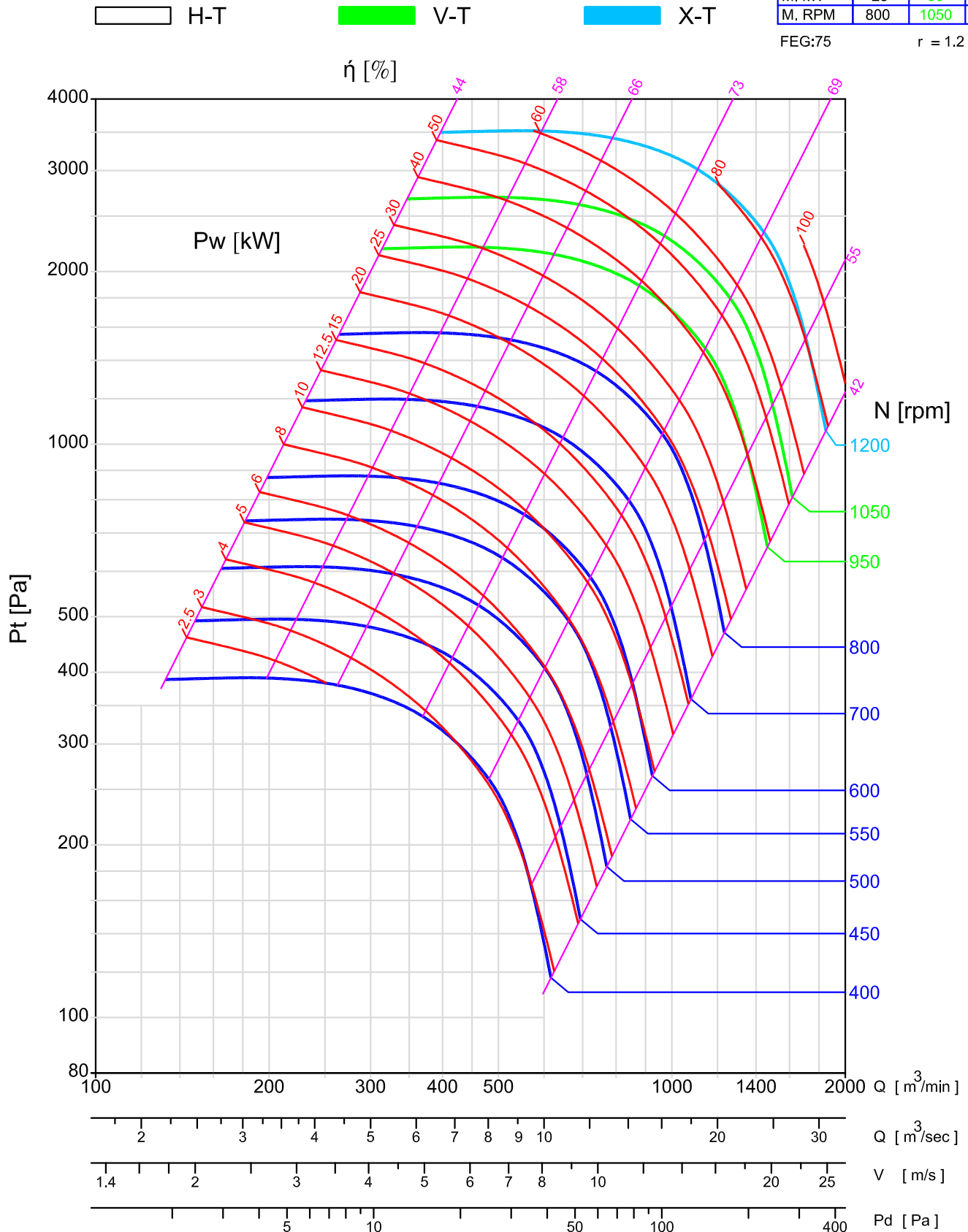


WHEEL : 1250 mm    OUTLET: 992 x 1250 mm(WxH,inside)  
 : 1.24 m<sup>2</sup>(inside area)

Op. Limit	CL.I	CL.II	CL.III
Type	H-T	V-T	X-T
M. kW	25	60	100
M. RPM	800	1050	1200

FEG:75

$\rho = 1.2 \text{ kg/m}^3$



-Performance certified is for installation type D: ducted inlet, ducted outlet. Performance ratings do not include the effects of appurtenances (accessories). Power rating (kW) does not include transmission losses.



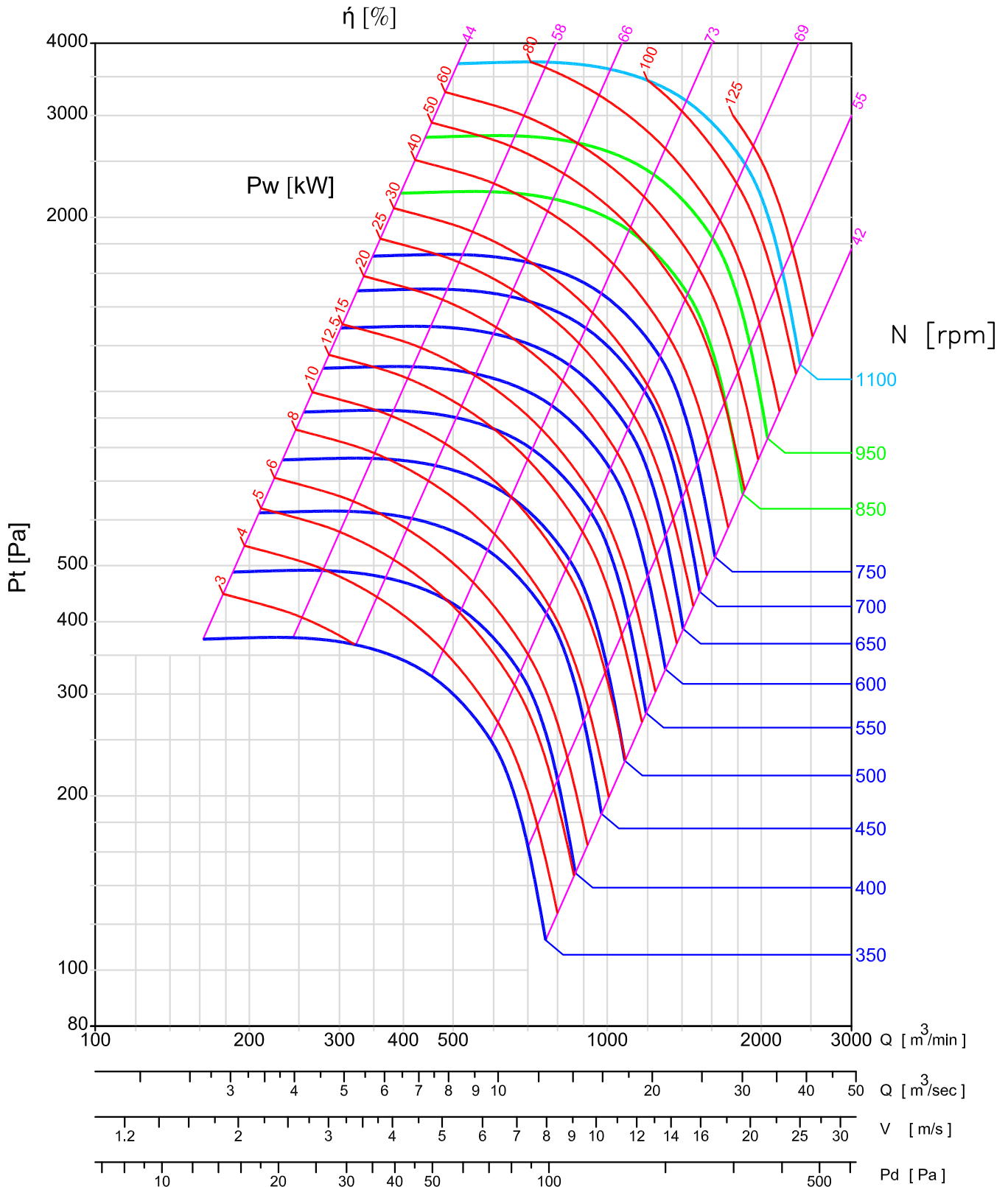
# BCE 1400



WHEEL : 1400 mm  
 OUTLET: 1110 x 1400 mm(WxH,inside)  
 : 1.554 m<sup>2</sup>(inside area)

Op. Limit	CL.I	CL.II	CL.III
Type	H-T	V-T	X-T
M. kW	40	80	125
M. RPM	750	950	1100

FEG:75       $r = 1.2 \text{ kg/m}^3$



-Performance certified is for installation type D: ducted inlet, ducted outlet. Performance ratings do not include the effects of appurtenances (accessories). Power rating (kW) does not include transmission losses.



# BCE 1600

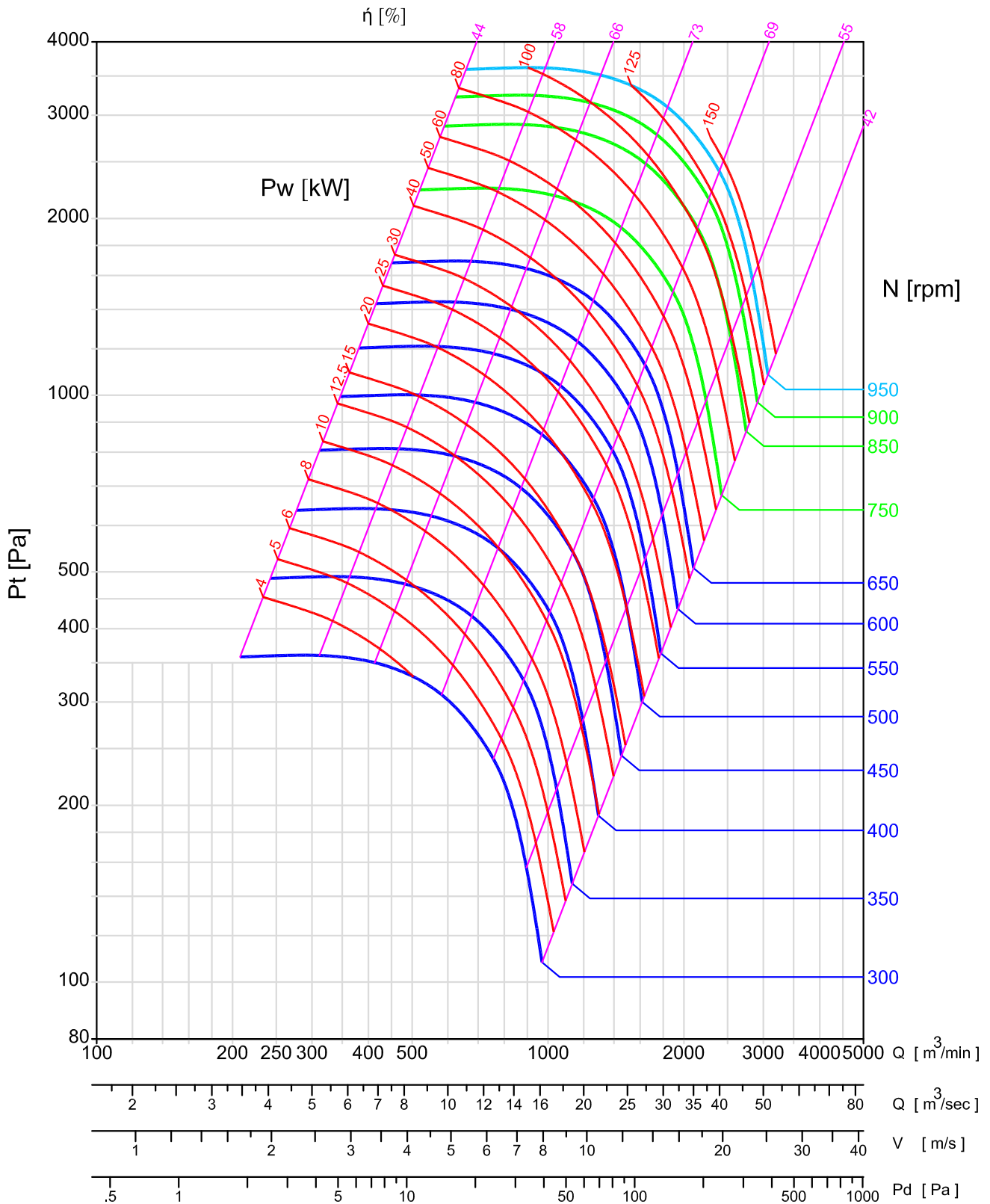


WHEEL : 1600 mm    OUTLET: 1270 x 1600 mm(WxH,inside)  
: 2.032 m<sup>2</sup>(inside area)

Op. Limit	CL.I	CL.II	CL.III
Type	H-T	V-T	X-T
M. kW	50	125	150
M. RPM	650	900	950

FEG:75

$\rho = 1.2 \text{ kg/m}^3$



-Performance certified is for installation type D: ducted inlet, ducted outlet. Performance ratings do not include the effects of appurtenances (accessories). Power rating (kW) does not include transmission losses.



# BCE 1800

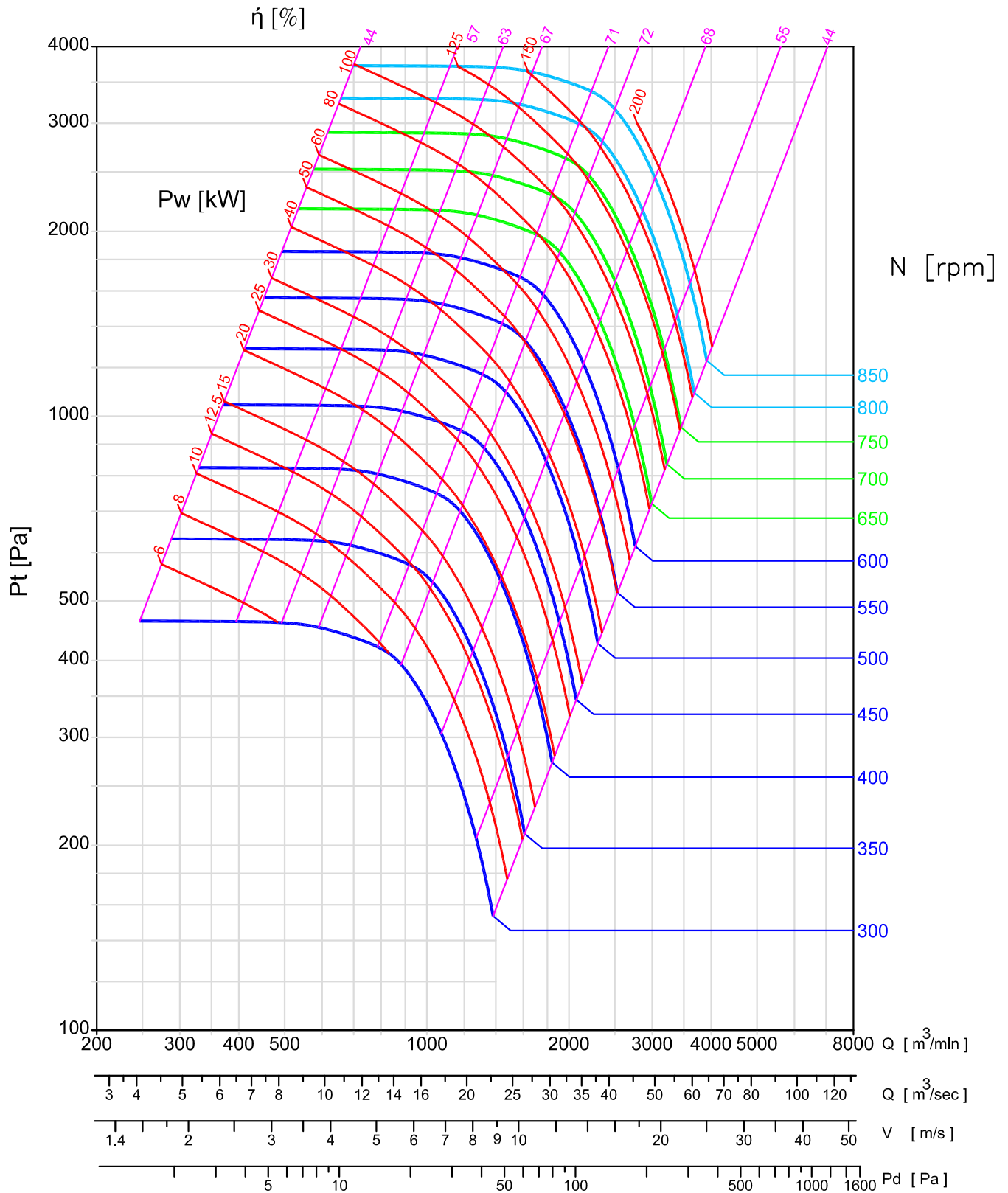


WHEEL : 1800 mm OUTLET: 1430 x 1800 mm(WxH,inside)  
: 2.574 m<sup>2</sup>(inside area)

Op. Limit	CL.I	CL.II	CL.III
Type	H-T	V-T	X-T
M. kW	80	150	200
M. RPM	600	750	850

FEG:75

$\rho = 1.2 \text{ kg/m}^3$



-Performance certified is for installation type D: ducted inlet, ducted outlet. Performance ratings do not include the effects of appurtenances (accessories). Power rating (kW) does not include transmission losses.





# BCE2000

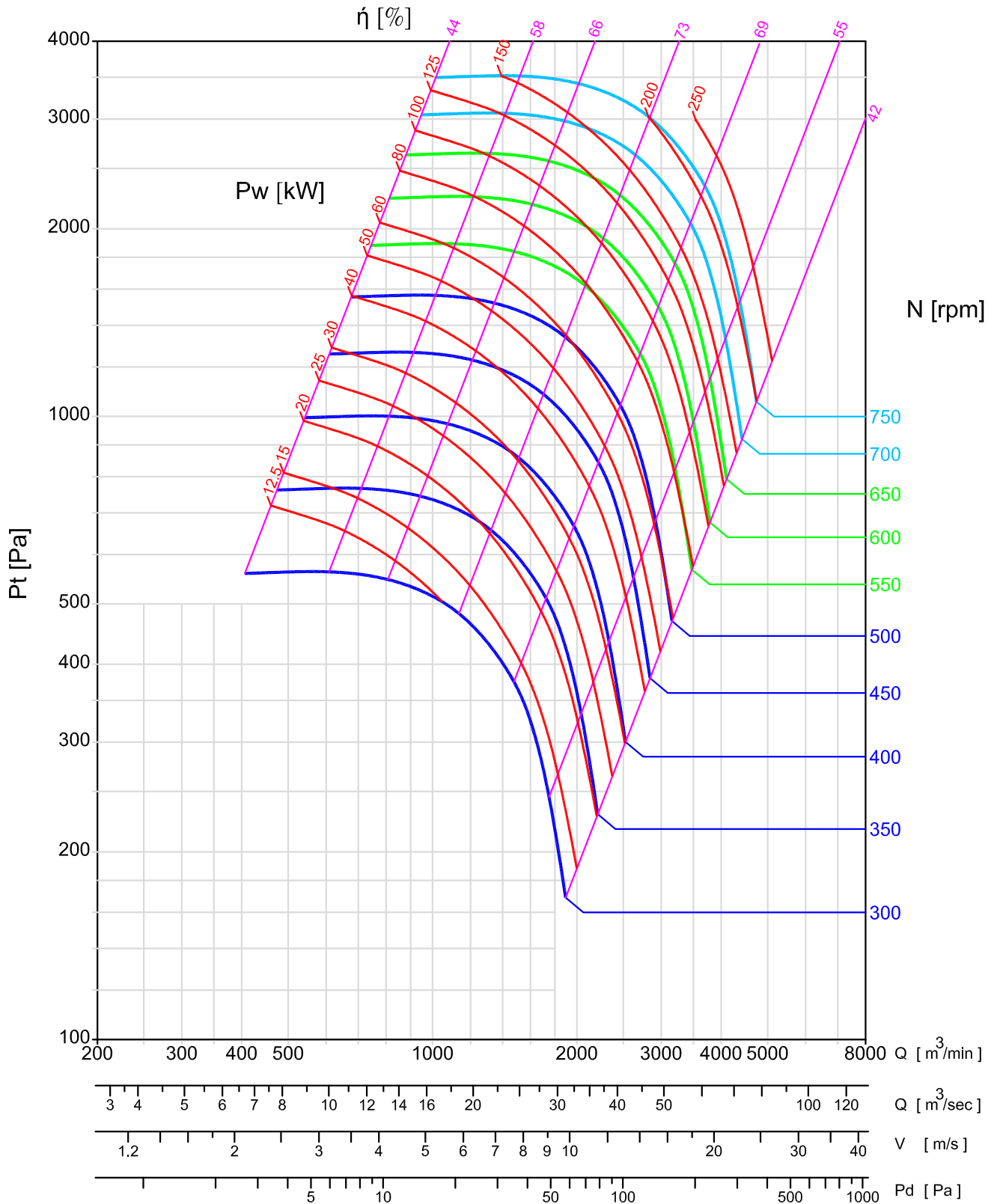


WHEEL : 2000 mm    OUTLET: 1590 x 2000 mm(WxH,inside)  
 : 3.18 m<sup>2</sup>(inside area)

Op. Limit	CL.I	CL.II	CL.III
Type	H-T	V-T	X-T
M. kW	80	150	250
M. RPM	500	650	750

FEG:75

$r = 1.2 \text{ kg/m}^3$



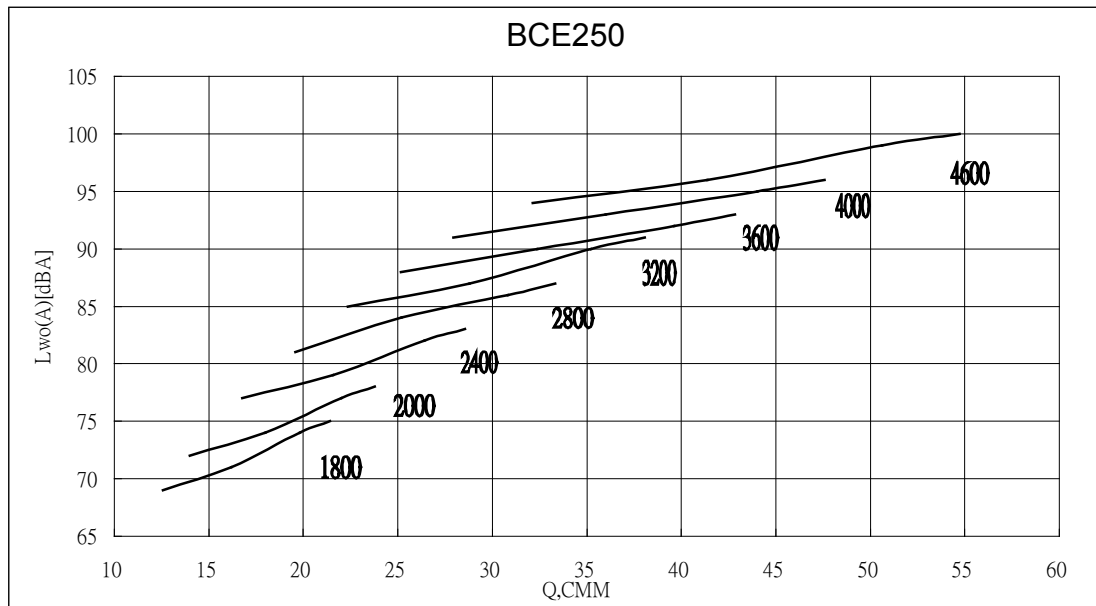
-Performance certified is for installation type D: ducted inlet, ducted outlet. Performance ratings do not include the effects of appurtenances (accessories). Power rating (kW) does not include transmission losses.



# Sound Performance Data



BCE Series



**Sound Power [dB Ref 10<sup>-12</sup> watts]**    %POF=( CMM\*3531.5 / RPM x 0.45 )

**Outlet Sound Power, Lwo [ Octave Band ]**

RPM	%POF	Octave Band								Lwo(A) [dBA]
		1	2	3	4	5	6	7	8	
1800	48	78	73	78	73	70	64	59	56	75
	44	75	71	77	71	69	63	57	55	74
	36	74	70	75	69	66	60	55	52	71
	28	75	69	72	66	63	57	52	49	69
2400	48	86	82	82	82	77	73	67	63	83
	44	84	79	81	81	77	72	65	63	82
	36	82	78	80	79	74	69	63	60	79
	28	84	79	78	75	71	66	61	57	77
2800	48	92	86	84	87	81	78	71	67	87
	44	91	84	82	86	80	77	70	66	86
	36	90	82	81	84	78	74	67	64	84
	28	92	83	80	81	75	71	65	61	81
3200	48	97	90	85	90	85	81	75	71	91
	44	96	88	84	89	83	81	74	69	90
	36	96	86	83	87	81	78	71	67	87
	28	97	87	82	84	78	75	69	64	85
3600	48	100	93	87	93	88	85	79	74	93
	44	100	90	86	92	86	84	78	72	92
	36	100	89	85	90	84	81	75	70	90
	28	101	90	84	87	81	78	72	68	88
4600	48	107	99	95	97	96	92	87	81	100
	44	107	97	93	96	94	91	86	79	99
	36	107	95	92	94	92	88	83	77	96
	28	108	97	92	92	89	85	80	75	94

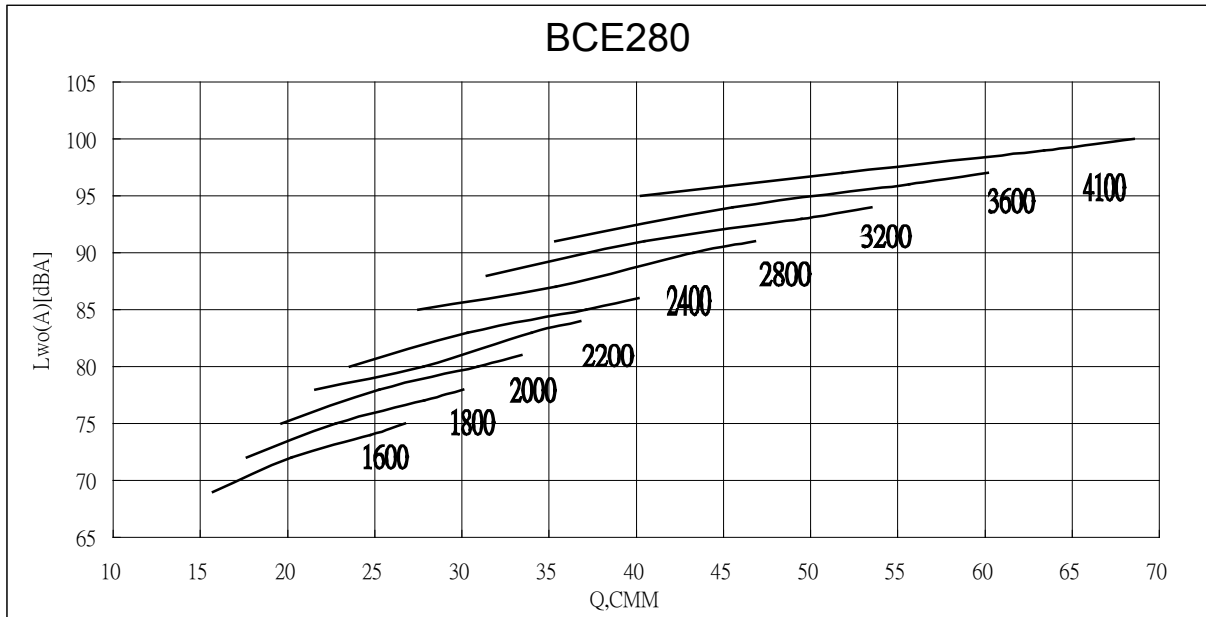
-Model BCE250 IS NOT LICENSED TO BEAR THE AMCA CERTIFIED RATINGS SEAL.

- The A-weighted sound ratings shown have been calculated per AMCA International Standard 301. Values shown are for outlet Lwo(A). sound power levels for installation Type D: ducted inlet , ducted outlet. Ratings include duct end correction.

- The sound power level ratings shown are in decibels, referred to 10<sup>-12</sup> watts calculated per AMCA International Standard 301. dBA levels are not licensed by AMCA International.



BCE Series



**Sound Power [dB Ref 10<sup>-12</sup> watts]**    %POF=( CMM\*3531.5 / RPM x 0.63 )

**Outlet Sound Power, Lwo [ Octave Band ]**

RPM	%POF	Octave Band								Lwo(A) [dBA]
		1	2	3	4	5	6	7	8	
1800	68	81	76	81	76	73	67	62	60	78
	62	79	75	80	75	72	66	61	59	77
	51	77	74	78	72	69	63	59	56	75
	40	78	73	75	69	66	61	56	53	72
2000	68	83	79	84	79	76	71	65	62	81
	62	81	77	83	78	75	69	64	62	80
	51	79	77	81	75	72	66	61	58	78
	40	81	77	78	72	69	64	59	55	75
2400	68	89	85	86	86	81	76	70	67	86
	62	88	83	85	84	80	75	69	66	85
	51	86	82	83	82	77	72	66	63	83
	40	87	82	81	79	74	69	64	60	80
2800	68	95	90	87	91	85	81	75	71	91
	62	94	87	86	89	84	80	74	70	90
	51	94	86	85	87	81	77	70	67	87
	40	95	87	83	84	78	74	68	64	85
3200	68	100	93	89	94	88	85	79	74	94
	62	100	91	87	93	87	84	78	73	93
	51	99	90	86	91	84	81	74	71	91
	40	101	91	85	88	81	78	72	68	88
3600	68	104	96	91	96	91	88	82	77	97
	62	104	94	90	95	90	87	81	76	96
	51	103	92	88	93	87	85	78	74	94
	40	105	94	88	91	84	81	76	71	91

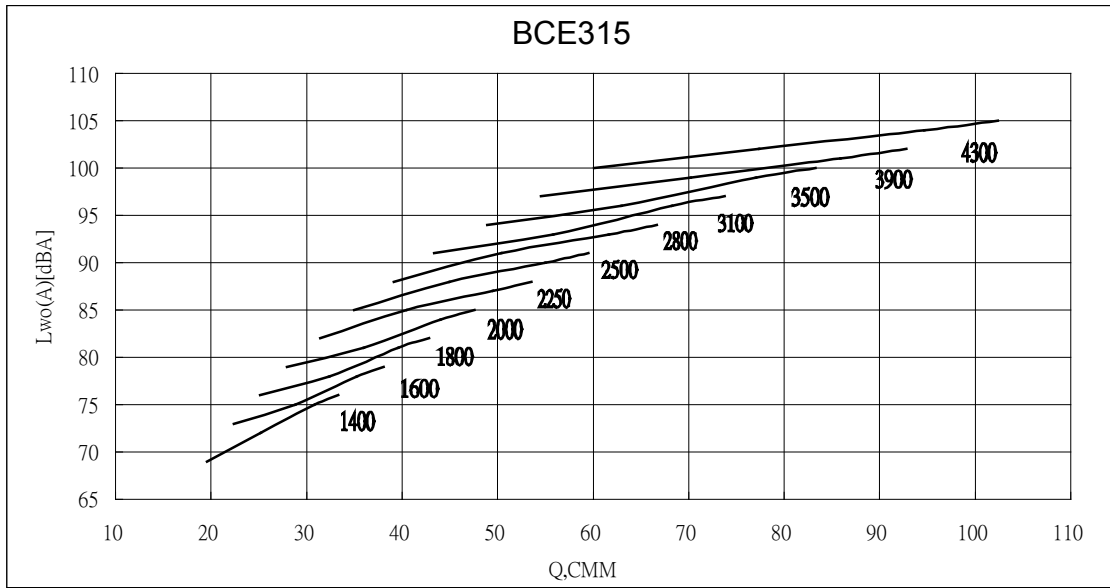
-Model BCE280 IS NOT LICENSED TO BEAR THE AMCA CERTIFIED RATINGS SEAL.

- The A-weighted sound ratings shown have been calculated per AMCA International Standard 301. Values shown are for outlet Lwo(A). sound power levels for installation Type D: ducted inlet , ducted outlet. Ratings include duct end correction.

- The sound power level ratings shown are in decibels, referred to 10<sup>-12</sup> watts calculated per AMCA International Standard 301. dBA levels are not licensed by AMCA International.



BCE Series



**Sound Power [dB Ref 10<sup>-12</sup> watts]**    %POF=( CMM\*3531.5 / RPM x 0.9 )

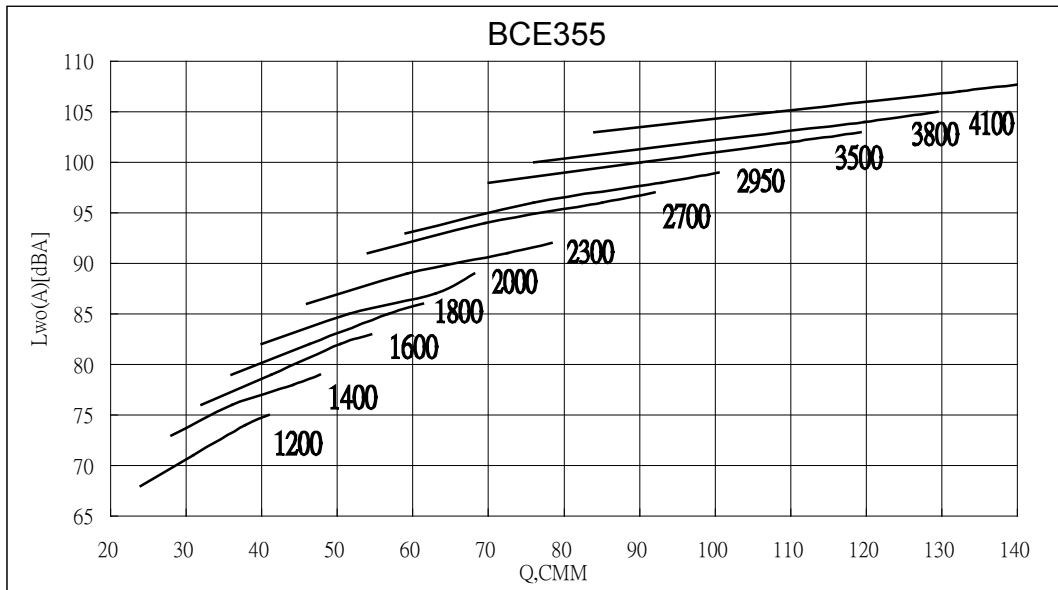
**Outlet Sound Power, Lwo [ Octave Band ]**

RPM	%POF	Lwo(A)								
		63	125	250	500	1K	2K	4K	8K	[dBA]
1800	65	85	80	85	80	77	71	66	63	82
	60	82	78	84	78	76	70	64	62	81
	49	81	77	82	76	73	67	62	59	78
	38	82	76	79	73	70	64	60	56	76
2250	65	90	86	89	87	83	78	72	69	88
	60	88	84	88	86	82	77	71	68	87
	49	86	83	86	83	79	74	68	65	85
	38	88	84	84	80	76	71	66	62	82
2800	65	99	93	91	94	88	85	78	74	94
	60	98	91	89	93	87	84	77	73	93
	49	97	89	88	91	85	81	74	71	91
	38	99	90	87	88	82	78	72	68	88
3100	65	102	96	92	97	91	88	81	77	97
	60	102	94	91	95	90	87	80	76	96
	49	102	92	89	93	87	84	77	73	93
	38	103	93	88	90	84	81	75	70	91
3500	65	106	99	94	99	94	91	85	80	100
	60	106	97	93	98	93	90	84	79	99
	49	106	95	91	96	90	87	81	76	96
	38	108	97	91	94	87	84	78	74	94
4300	65	112	104	100	104	100	97	92	86	105
	60	112	102	98	103	99	96	90	84	104
	49	112	100	97	101	96	93	87	82	102
	38	114	101	98	98	93	90	85	80	100

-Model BCE315 IS NOT LICENSED TO BEAR THE AMCA CERTIFIED RATINGS SEAL.

- The A-weighted sound ratings shown have been calculated per AMCA International Standard 301. Values shown are for outlet Lwo(A). sound power levels for installation Type D: ducted inlet , ducted outlet. Ratings include duct end correction.

- The sound power level ratings shown are in decibels, referred to 10<sup>-12</sup> watts calculated per AMCA International Standard 301. dBA levels are not licensed by AMCA International.



**Sound Power [dB Ref 10<sup>-12</sup> watts]**    %POF=( CMM\*3531.5 / RPM x 1.29 )

**Outlet Sound Power, Lwo [ Octave Band ]**

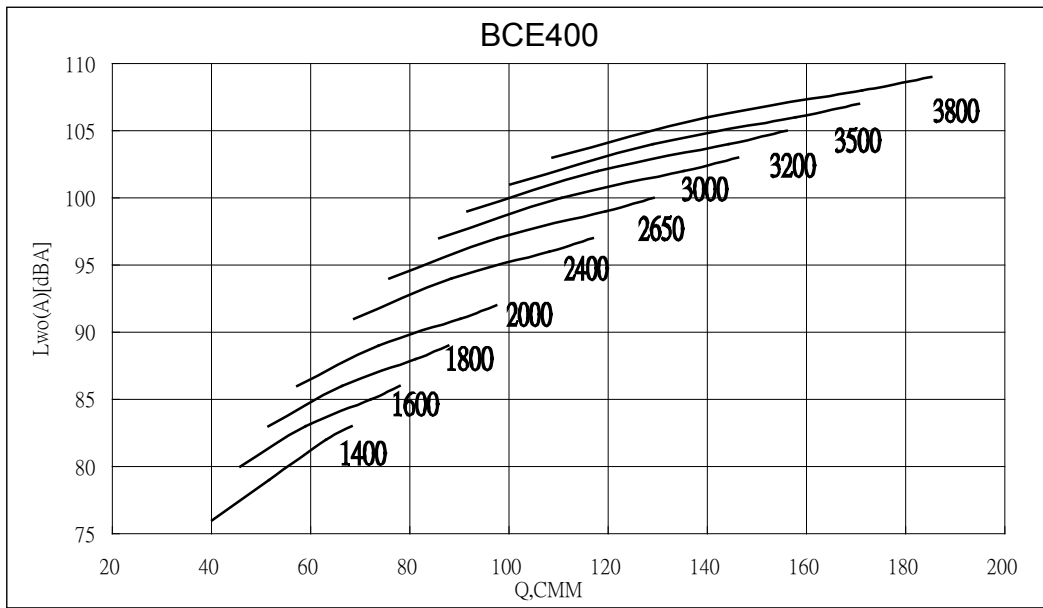
RPM	%POF	Lwo(A)								
		63	125	250	500	1K	2K	4K	8K	[dBA]
1600	93	85	81	86	80	77	71	66	64	83
	86	83	80	85	79	76	70	65	63	82
	70	82	79	83	77	73	66	63	60	79
	55	83	77	80	74	70	64	60	56	76
2000	93	91	86	91	86	83	78	72	70	89
	86	88	84	90	85	82	77	71	69	87
	70	86	84	88	83	80	74	69	66	85
	55	88	84	85	79	76	71	66	63	82
2300	93	95	91	93	91	87	82	76	73	92
	86	93	89	92	90	86	81	75	72	91
	70	91	88	90	88	83	78	72	69	89
	55	92	88	88	84	80	75	70	66	86
2950	93	104	98	95	99	93	90	84	79	99
	86	104	96	94	98	92	89	82	78	98
	70	103	94	92	96	90	86	79	76	96
	55	105	95	91	93	87	83	77	73	93
3500	93	110	103	97	103	97	95	89	84	103
	86	110	100	96	102	96	94	88	82	102
	70	110	99	95	100	94	91	84	80	100
	55	111	100	94	97	91	88	82	77	98
4200	93	115	107	103	107	103	100	95	89	108
	86	116	105	101	106	102	99	93	87	107
	70	115	102	100	104	99	96	90	85	105
	55	117	104	101	102	96	93	88	83	103

- The A-weighted sound ratings shown have been calculated per AMCA International Standard 301. Values shown are for outlet Lwo(A). sound power levels for installation Type D: ducted inlet , ducted outlet. Ratings include duct end correction.

- The sound power level ratings shown are in decibels, referred to 10<sup>-12</sup> watts calculated per AMCA International Standard 301. dBA levels are not licensed by AMCA International.



BCE Series



**Sound Power [dB Ref 10<sup>-12</sup> watts]**    %POF=( CMM\*3531.5 / RPM x 1.85 )

**Outlet Sound Power, Lwo [ Octave Band ]**

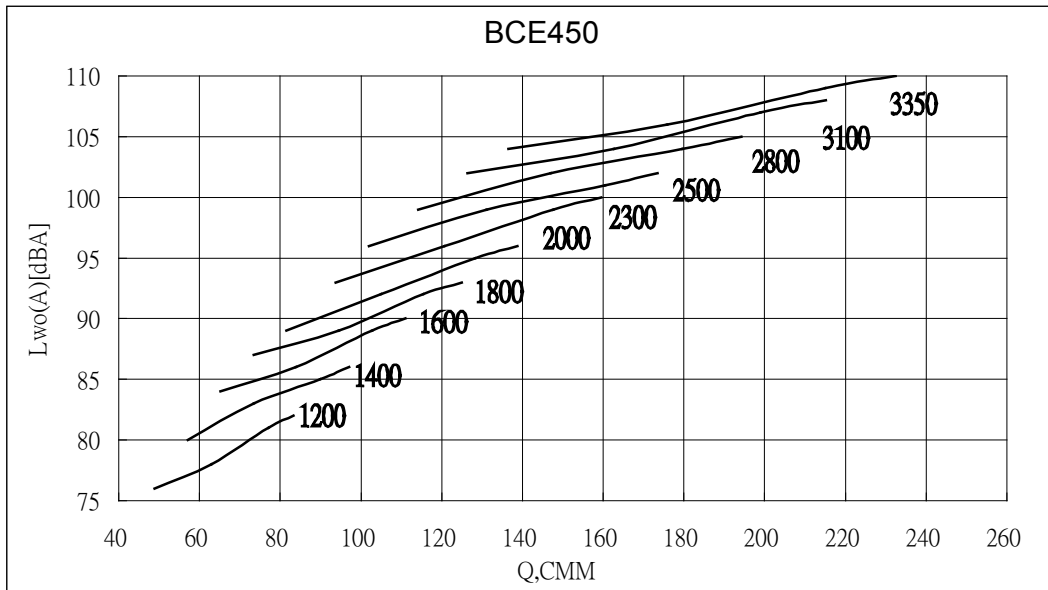
RPM	%POF	Octave Band								Lwo(A) [dBA]
		1	2	3	4	5	6	7	8	
1600	93	89	85	90	84	81	75	70	67	86
	86	87	83	89	83	80	73	69	67	85
	70	86	82	86	80	77	70	66	63	83
	54	87	81	84	77	74	68	63	60	80
1800	93	92	87	92	87	84	78	73	70	89
	86	90	86	91	86	83	77	72	70	88
	70	88	84	89	83	80	74	69	67	86
	54	89	84	86	80	77	71	67	63	83
2000	93	94	90	94	90	87	81	76	73	92
	86	92	88	93	89	86	80	74	72	91
	70	90	87	91	86	83	77	72	69	89
	54	91	87	89	83	80	75	70	66	86
2650	93	104	99	97	100	94	90	84	80	100
	86	103	97	96	99	94	89	83	79	99
	70	102	95	95	97	91	86	80	77	97
	54	104	96	93	94	88	83	78	73	94
3200	93	111	104	99	105	99	96	90	85	105
	86	111	102	98	104	98	95	88	84	104
	70	110	101	97	102	95	92	85	81	102
	54	112	102	96	99	92	89	83	79	99
3800	93	116	108	103	108	103	101	95	90	109
	86	116	106	102	107	102	100	94	88	108
	70	116	104	101	105	100	97	91	86	106
	54	117	105	100	103	97	94	88	83	103

- The A-weighted sound ratings shown have been calculated per AMCA International Standard 301. Values shown are for outlet Lwo(A). sound power levels for installation Type D: ducted inlet , ducted outlet. Ratings include duct end correction.

- The sound power level ratings shown are in decibels, referred to 10<sup>-12</sup> watts calculated per AMCA International Standard 301. dBA levels are not licensed by AMCA International.



BCE Series



**Sound Power [dB Ref 10-12 watts] %POF=( CMM\*3531.5 / RPM x 2.63 )**

**Outlet Sound Power, Lwo [ Octave Band ]**

RPM	%POF	Lwo(A)								
		63	125	250	500	1K	2K	4K	8K	
1600	93	93	88	93	87	84	78	74	71	90
	86	90	87	92	86	83	77	72	70	89
	70	89	86	90	84	80	74	70	67	86
	54	90	85	87	81	77	72	67	64	84
1800	93	95	90	96	91	88	82	77	74	93
	86	93	89	95	89	87	81	75	73	92
	70	92	88	93	87	84	77	73	70	89
	54	93	87	90	84	81	75	70	67	87
2000	93	98	93	98	94	90	85	80	77	96
	86	96	92	97	92	89	84	78	76	95
	70	94	91	95	90	87	81	76	73	92
	54	95	91	92	87	84	78	73	70	89
2300	93	102	98	100	98	94	89	84	80	100
	86	100	96	99	97	93	88	82	79	99
	70	98	95	97	95	91	85	79	76	96
	54	99	95	95	91	88	82	77	73	93
2500	93	105	101	100	102	96	92	86	82	102
	86	104	99	99	100	96	91	85	81	101
	70	102	97	98	98	93	88	82	79	99
	54	104	98	96	95	90	85	80	76	96
3350	93	116	109	104	110	103	101	95	90	110
	86	116	107	102	109	102	100	93	88	109
	70	116	105	101	106	100	97	90	86	106
	54	117	107	100	104	97	94	88	83	104

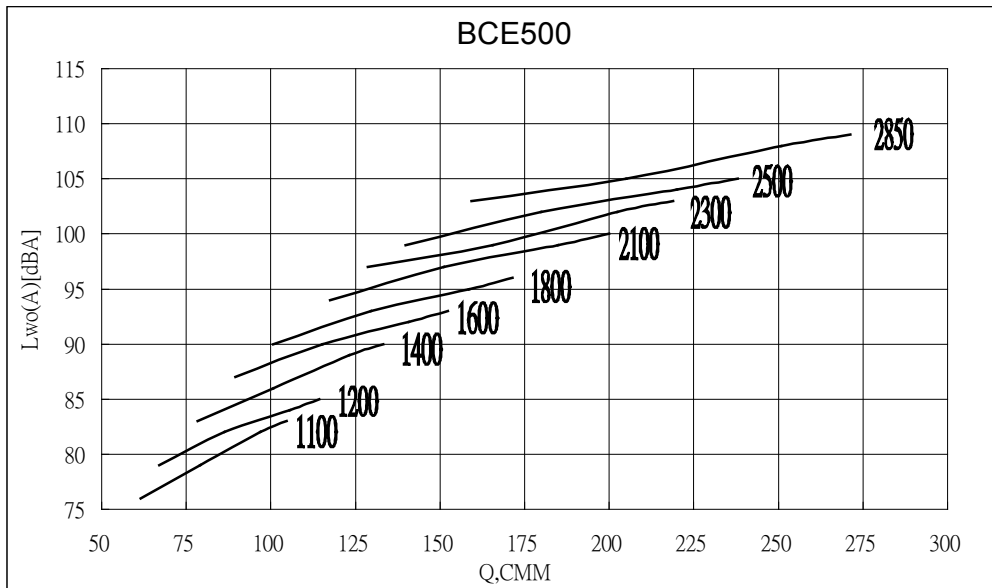
- The A-weighted sound ratings shown have been calculated per AMCA International Standard 301. Values shown are for outlet Lwo(A). sound power levels for installation Type D: ducted inlet , ducted outlet. Ratings include duct end correction.

- The sound power level ratings shown are in decibels, referred to 10<sup>-12</sup> watts calculated per AMCA International Standard 301. dBA levels are not licensed by AMCA International.





BCE Series



**Sound Power [dB Ref 10-12 watts] %POF=( CMM\*3531.5 / RPM x 3.61 )**

**Outlet Sound Power, Lwo [ Octave Band ]**

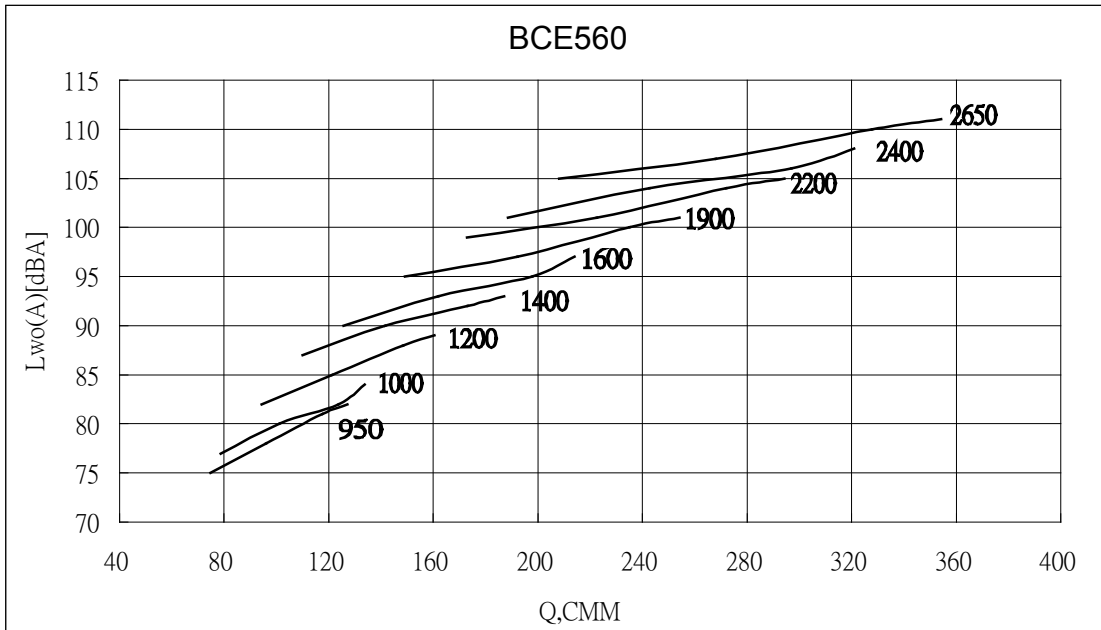
RPM	%POF	Lwo(A)								
		63	125	250	500	1K	2K	4K	8K	
1200	93	88	89	88	84	79	73	69	66	85
	86	85	88	87	83	78	71	69	66	84
	70	84	86	84	80	75	69	66	63	82
	54	85	84	81	77	72	67	63	59	79
1600	93	96	91	96	91	87	81	77	74	93
	86	94	90	95	90	86	80	75	74	92
	70	92	89	93	87	84	77	73	70	90
	54	93	88	90	84	81	75	70	67	87
1800	93	99	94	99	94	91	85	80	77	96
	86	96	92	98	93	90	84	78	77	95
	70	95	91	96	90	87	81	76	73	93
	54	96	90	93	87	84	78	74	70	90
2100	93	102	98	103	98	95	90	84	81	100
	86	100	96	102	97	94	89	82	80	99
	70	98	96	100	95	91	86	80	77	97
	54	99	96	97	91	88	83	78	74	94
2500	93	108	104	104	105	100	95	89	86	105
	86	107	102	102	104	99	94	88	85	104
	70	106	100	101	101	96	91	85	82	102
	54	107	101	99	98	93	88	83	79	99
2850	93	113	108	105	109	103	99	93	89	109
	86	113	105	104	107	102	98	92	88	108
	70	112	104	102	105	99	95	89	85	105
	54	114	105	101	102	96	92	87	82	103

- The A-weighted sound ratings shown have been calculated per AMCA International Standard 301. Values shown are for outlet Lwo(A). sound power levels for installation Type D: ducted inlet , ducted outlet. Ratings include duct end correction.

- The sound power level ratings shown are in decibels, referred to 10<sup>-12</sup> watts calculated per AMCA International Standard 301. dBA levels are not licensed by AMCA International.



BCE Series



Sound

**Power [dB Ref 10-12 watts] %POF=( CMM\*3531.5 / RPM x5.08 )**

**Outlet Sound Power, Lwo [ Octave Band ]**

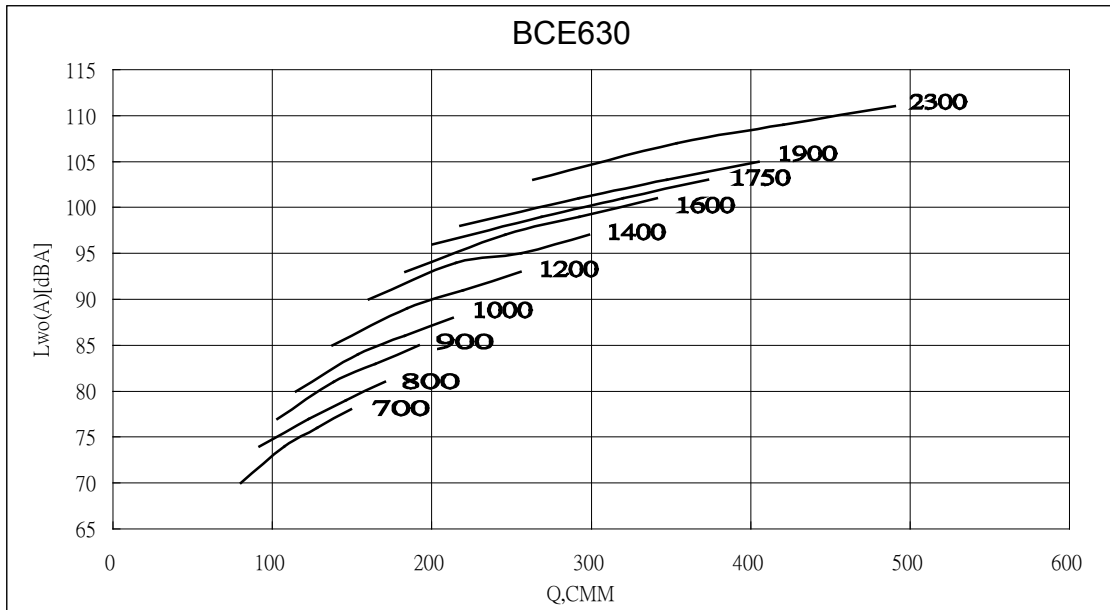
RPM	%POF	Octave Band								Lwo(A) [dBA]
		1	2	3	4	5	6	7	8	
1000	93	85	90	85	82	77	71	68	65	33
	86	83	88	84	81	75	70	68	65	82
	70	83	86	81	78	72	67	64	61	80
	54	83	84	78	75	70	65	61	57	77
1200	93	91	92	91	87	82	76	73	70	89
	86	89	91	90	86	81	75	72	70	88
	70	88	89	88	83	78	72	69	66	85
	54	88	87	85	80	75	70	66	62	82
1400	93	96	93	96	91	87	81	77	74	93
	86	93	92	95	90	86	80	76	74	92
	70	92	91	93	87	83	76	73	70	90
	54	93	89	90	85	80	74	70	67	87
1600	93	99	95	100	94	91	85	80	78	97
	86	97	94	99	93	90	84	79	77	95
	70	96	92	97	90	87	80	77	74	93
	54	97	91	94	88	84	78	74	70	90
1900	93	103	99	103	99	96	90	85	82	101
	86	101	97	102	98	95	89	83	81	100
	70	99	96	100	95	92	86	81	78	97
	54	101	96	98	92	89	83	79	75	95
2400	93	110	106	107	107	102	97	91	88	108
	86	109	104	106	106	101	96	90	87	106
	70	107	103	104	103	98	93	87	84	104
	54	108	103	102	100	95	90	85	81	101

- The A-weighted sound ratings shown have been calculated per AMCA International Standard 301. Values shown are for outlet Lwo(A). sound power levels for installation Type D: ducted inlet , ducted outlet. Ratings include duct end correction.

- The sound power level ratings shown are in decibels, referred to 10<sup>-12</sup> watts calculated per AMCA International Standard 301. dBA levels are not licensed by AMCA International.



BCE Series



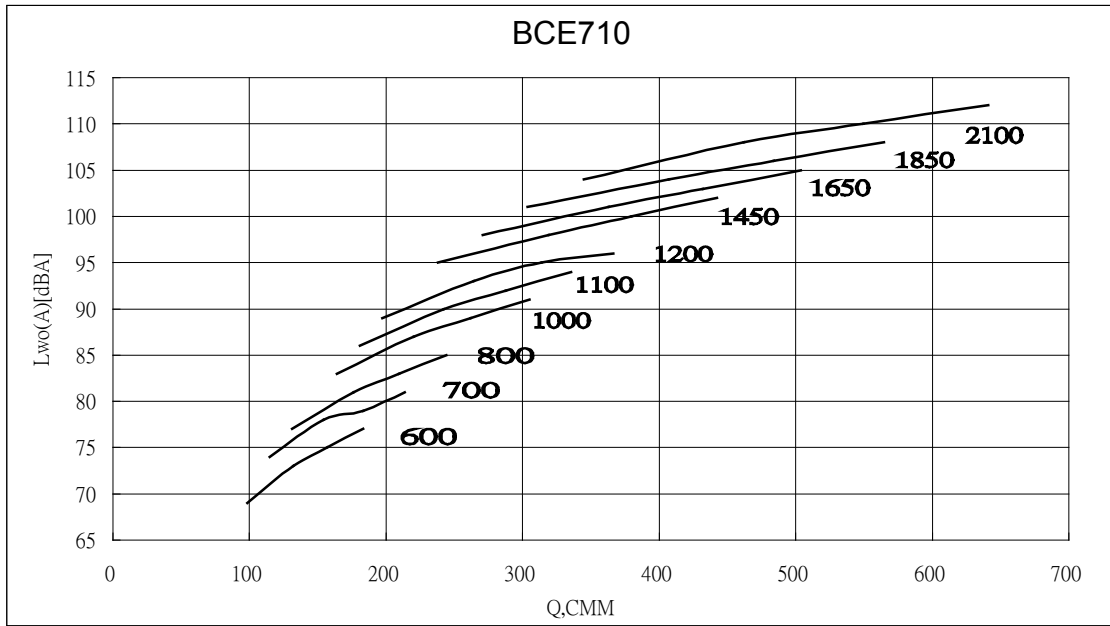
**Sound Power [dB Ref 10-12 watts] %POF=( CMM\*3531.5 / RPM x 7.53 )**

**Outlet Sound Power, Lwo [ Octave Band ]**

RPM	%POF	Octave Band								Lwo(A) [dBA]
		1 63	2 125	3 250	4 500	5 1K	6 2K	7 4K	8 8K	
700	100	83	85	80	76	70	65	56	47	78
	85	81	83	79	74	67	61	53	45	76
	72	78	82	77	72	65	58	50	42	74
	54	76	78	74	69	61	56	49	42	70
900	100	89	91	86	83	77	73	65	56	85
	85	87	90	85	82	75	69	62	54	83
	72	84	88	83	80	73	66	59	51	81
	54	82	84	79	76	69	63	57	50	77
1200	100	98	96	95	91	86	81	75	66	93
	85	95	94	94	90	84	78	71	63	91
	72	92	93	91	88	82	75	69	60	89
	54	90	90	88	84	78	71	66	59	85
1600	100	107	101	103	99	95	89	84	76	101
	85	105	98	102	97	93	87	80	73	99
	72	101	96	100	95	92	84	78	70	97
	54	100	94	96	91	88	80	75	69	93
1900	100	112	106	107	103	100	94	89	82	105
	85	109	103	105	101	98	92	86	79	103
	72	106	100	104	99	96	90	83	76	101
	54	105	98	100	95	93	86	80	74	98
2300	100	117	112	111	109	105	100	95	89	111
	85	114	109	108	108	103	98	91	85	109
	72	110	106	107	105	102	96	89	82	107
	54	111	104	104	101	98	92	85	80	103

- The A-weighted sound ratings shown have been calculated per AMCA International Standard 301. Values shown are for outlet Lwo(A). sound power levels for installation Type D: ducted inlet , ducted outlet. Ratings include duct end correction.

- The sound power level ratings shown are in decibels, referred to 10<sup>-12</sup> watts calculated per AMCA International Standard 301. dBA levels are not licensed by AMCA International.



**Sound Power [dB Ref 10-12 watts] %POF=( CMM\*3531.5 / RPM x 10.77 )**

**Outlet Sound Power, Lwo [ Octave Band ]**

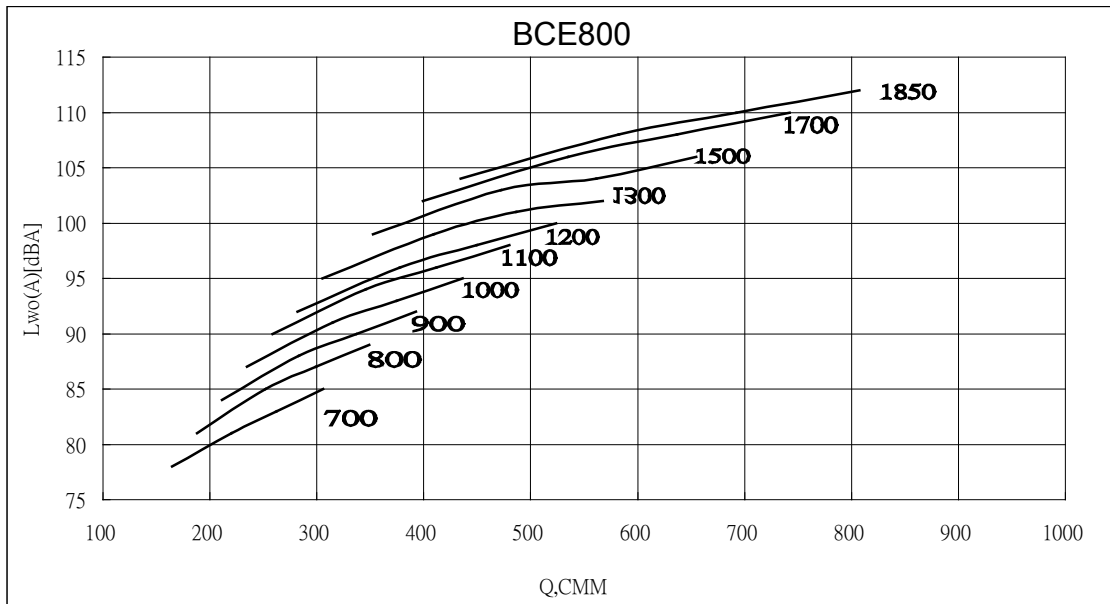
RPM	%POF	Octave Band								Lwo(A) [dBA]
		1	2	3	4	5	6	7	8	
600	100	85	84	80	75	69	64	55	46	77
	85	83	82	78	73	66	60	52	44	75
	72	81	80	76	71	63	57	49	40	73
	54	78	76	73	67	60	55	48	40	69
800	100	89	92	87	83	77	73	64	56	85
	85	87	90	85	82	75	69	62	53	83
	72	84	88	84	80	73	66	59	50	81
	54	82	85	80	76	69	63	57	50	77
1000	100	96	97	93	90	84	79	72	63	91
	85	93	95	91	88	82	76	69	61	89
	72	90	93	89	86	80	73	66	58	87
	54	88	90	85	83	76	70	64	57	83
1200	100	101	100	99	95	90	84	79	70	96
	85	99	98	97	93	88	81	75	67	95
	72	96	96	95	92	86	78	72	64	93
	54	94	93	91	88	82	75	70	63	89
1650	100	111	105	108	103	99	94	89	80	105
	85	109	103	106	101	98	91	85	78	103
	72	105	100	104	99	96	89	82	75	101
	54	105	98	101	96	92	85	79	73	98
2100	100	118	112	113	110	106	101	96	89	112
	85	116	110	111	108	105	99	92	86	110
	72	112	107	109	106	103	97	89	83	108
	54	112	105	106	102	99	93	86	81	104

- The A-weighted sound ratings shown have been calculated per AMCA International Standard 301. Values shown are for outlet Lwo(A). sound power levels for installation Type D: ducted inlet , ducted outlet. Ratings include duct end correction.

- The sound power level ratings shown are in decibels, referred to 10<sup>-12</sup> watts calculated per AMCA International Standard 301. dBA levels are not licensed by AMCA International.



BCE Series



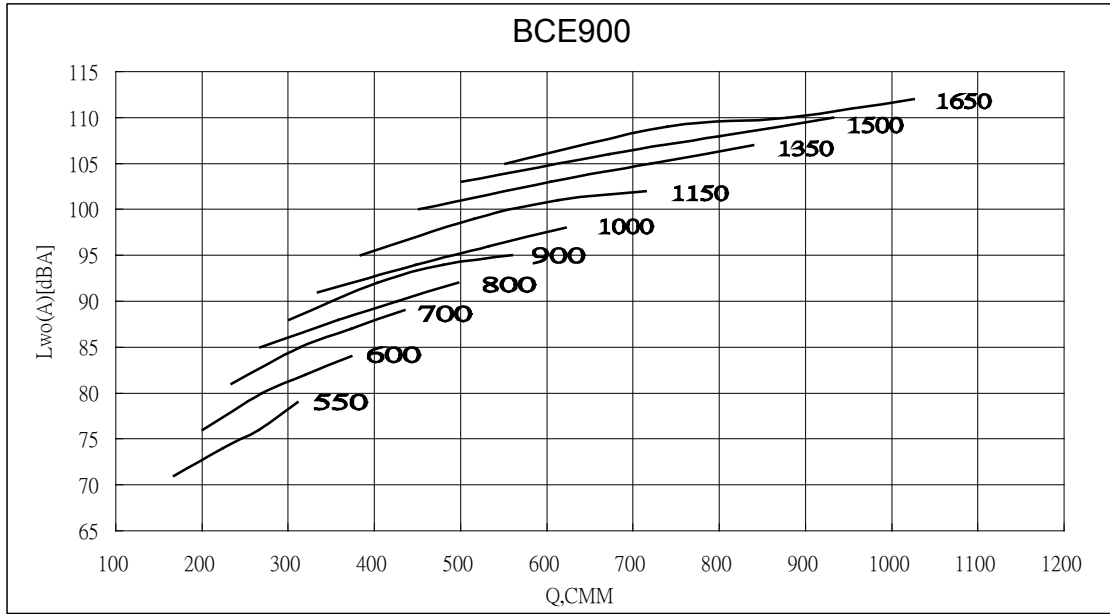
**Sound Power [dB Ref 10-12 watts] %POF=( CMM\*3531.5 / RPM x 15.41 )**

**Outlet Sound Power, Lwo [ Octave Band ]**

RPM	%POF	Octave Band								Lwo(A) [dBA]
		1	2	3	4	5	6	7	8	
800	100	63	125	250	500	1K	2K	4K	8K	89
	85	93	96	91	87	81	77	68	59	87
	72	88	92	87	84	76	70	62	54	85
	54	86	88	83	80	73	67	61	53	81
1000	100	63	125	250	500	1K	2K	4K	8K	95
	85	99	101	97	93	88	83	76	67	93
	72	97	99	95	92	86	79	73	64	91
	54	94	97	93	90	84	76	70	61	87
1200	100	63	125	250	500	1K	2K	4K	8K	100
	85	105	104	103	98	94	88	82	73	98
	72	103	101	101	97	92	85	78	70	96
	54	99	100	99	95	90	82	76	67	92
1300	100	63	125	250	500	1K	2K	4K	8K	102
	85	108	105	105	101	96	90	85	76	101
	72	105	102	103	99	94	87	81	73	99
	54	102	100	101	98	92	85	78	70	95
1500	100	63	125	250	500	1K	2K	4K	8K	106
	85	108	105	105	101	96	90	85	76	104
	72	112	107	106	101	97	89	83	75	103
	54	105	104	103	99	92	85	78	70	99
1850	100	63	125	250	500	1K	2K	4K	8K	112
	85	118	112	114	110	106	101	96	88	110
	72	116	110	112	108	105	99	92	85	108
	54	112	107	111	106	103	96	89	82	104

- The A-weighted sound ratings shown have been calculated per AMCA International Standard 301. Values shown are for outlet Lwo(A). sound power levels for installation Type D: ducted inlet , ducted outlet. Ratings include duct end correction.

- The sound power level ratings shown are in decibels, referred to 10<sup>-12</sup> watts calculated per AMCA International Standard 301. dBA levels are not licensed by AMCA International.



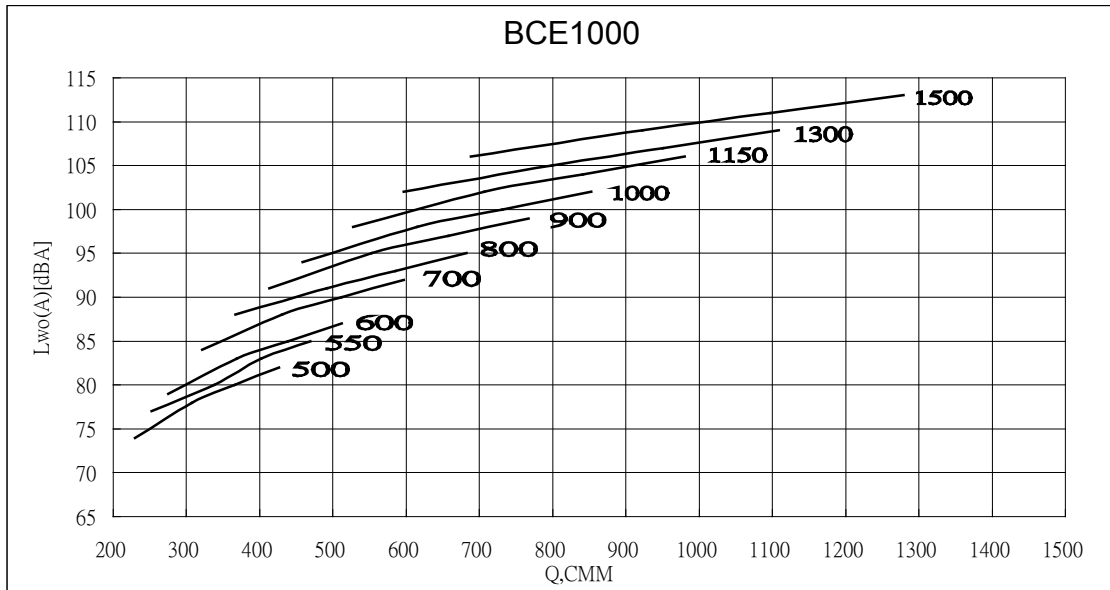
**Sound Power [dB Ref 10-12 watts] %POF=( CMM\*3531.5 / RPM x21.95 )**

**Outlet Sound Power, Lwo [ Octave Band ]**

RPM	%POF	Octave Band								Lwo(A) [dBA]
		1	2	3	4	5	6	7	8	
800	100	97	99	94	91	85	80	71	63	92
	85	94	97	93	89	82	76	69	61	90
	72	92	96	91	87	80	73	66	57	88
	54	89	92	87	84	76	71	64	57	85
900	100	100	102	97	94	88	84	76	67	95
	85	97	100	95	92	86	80	73	65	94
	72	95	99	93	91	84	77	70	61	92
	54	92	95	90	87	80	74	68	61	88
1000	100	103	104	100	97	91	87	79	71	98
	85	100	102	99	95	89	83	76	68	96
	72	98	100	96	94	87	80	73	65	94
	54	96	97	92	90	83	77	72	64	91
1150	100	107	107	105	101	96	90	84	75	102
	85	105	104	103	99	94	87	81	73	101
	72	102	103	101	97	92	84	78	70	99
	54	100	100	97	94	88	81	76	69	95
1350	100	112	109	110	105	101	95	90	81	107
	85	110	106	108	104	99	92	86	78	105
	72	106	104	106	102	97	89	83	75	103
	54	105	101	103	99	93	86	81	74	100
1500	100	116	110	113	108	104	98	93	84	110
	85	113	108	111	106	102	95	89	82	108
	72	110	105	109	105	100	93	86	79	106
	54	109	103	106	101	97	89	84	77	103

- The A-weighted sound ratings shown have been calculated per AMCA International Standard 301. Values shown are for outlet Lwo(A). sound power levels for installation Type D: ducted inlet , ducted outlet. Ratings include duct end correction.

- The sound power level ratings shown are in decibels, referred to 10<sup>-12</sup> watts calculated per AMCA International Standard 301. dBA levels are not licensed by AMCA International.



**Sound Power [dB Ref 10-12 watts] %POF=( CMM\*3531.5 / RPM x 30.10 )**

**Outlet Sound Power, Lwo [ Octave Band ]**

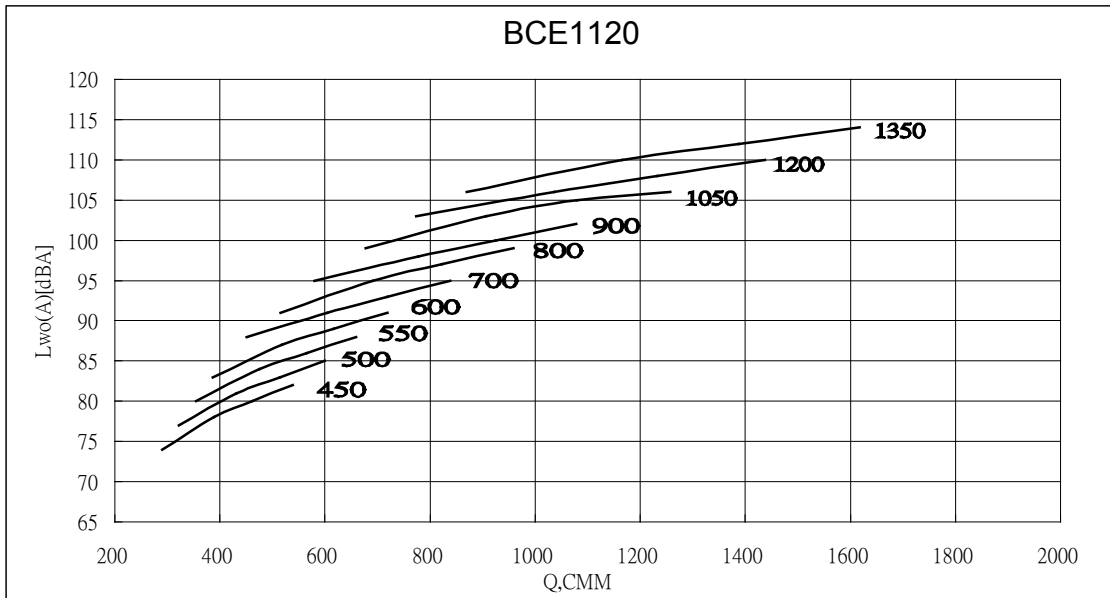
RPM	%POF	Lwo(A) [dBA]								
		1	2	3	4	5	6	7	8	
500	100	92	89	85	80	75	67	59	50	82
	85	90	87	83	78	71	64	56	48	80
	72	89	84	82	75	68	62	53	45	78
	54	85	80	78	72	65	60	52	45	74
600	100	95	94	90	85	80	74	65	56	87
	85	93	93	89	83	76	70	62	54	85
	72	92	91	87	81	74	68	59	51	83
	54	89	87	83	78	70	65	58	51	79
800	100	100	102	97	94	88	83	75	66	95
	85	97	100	96	92	86	79	72	64	93
	72	95	99	94	91	83	76	69	61	91
	54	93	95	90	87	79	74	68	60	88
1000	100	106	107	104	100	95	90	83	74	102
	85	104	105	102	99	93	86	79	71	100
	72	101	104	99	97	91	83	77	68	98
	54	99	100	96	93	87	80	75	67	94
1150	100	111	110	108	104	99	94	88	79	106
	85	108	108	107	103	97	90	84	76	104
	72	105	106	104	101	95	88	81	73	102
	54	103	103	100	97	91	84	79	72	98
1500	100	119	113	116	111	107	101	96	88	113
	85	117	111	114	110	105	99	92	85	111
	72	113	109	112	108	104	96	90	82	109
	54	112	106	109	104	100	92	87	80	106

- The A-weighted sound ratings shown have been calculated per AMCA International Standard 301. Values shown are for outlet Lwo(A). sound power levels for installation Type D: ducted inlet , ducted outlet. Ratings include duct end correction.

- The sound power level ratings shown are in decibels, referred to 10<sup>-12</sup> watts calculated per AMCA International Standard 301. dBA levels are not licensed by AMCA International.



BCE Series



**Sound Power [dB Ref 10-12 watts] %POF=( CMM\*3531.5 / RPM x 42.29 )**

**Outlet Sound Power, Lwo [ Octave Band ]**

		1	2	3	4	5	6	7	8	Lwo(A)
RPM	%POF	63	125	250	500	1K	2K	4K	8K	[dBA]
450	100	94	89	86	80	75	67	59	49	82
	85	92	87	84	78	71	64	56	48	80
	72	90	85	82	75	68	62	53	45	78
	54	87	81	79	72	66	60	52	45	74
550	100	98	95	91	86	81	74	66	56	88
	85	95	94	90	84	77	71	63	55	86
	72	94	91	88	82	74	68	60	51	84
	54	91	87	84	78	71	66	59	51	80
700	100	101	103	98	94	87	83	74	65	95
	85	98	101	96	92	85	78	71	63	93
	72	96	99	95	90	82	76	68	60	91
	54	93	96	91	86	79	73	67	59	88
900	100	107	109	104	101	95	90	82	74	102
	85	104	107	102	99	93	86	79	71	100
	72	101	105	100	97	90	84	77	68	98
	54	99	102	96	94	87	81	75	67	95
1050	100	111	112	109	105	100	94	88	79	106
	85	109	110	107	103	98	91	84	76	105
	72	106	108	105	102	96	88	82	73	103
	54	104	105	101	98	92	85	80	72	99
1350	100	119	115	117	112	107	101	97	87	114
	85	117	113	115	111	106	99	92	85	112
	72	113	111	113	109	104	96	90	82	110
	54	112	108	109	105	100	93	87	80	106

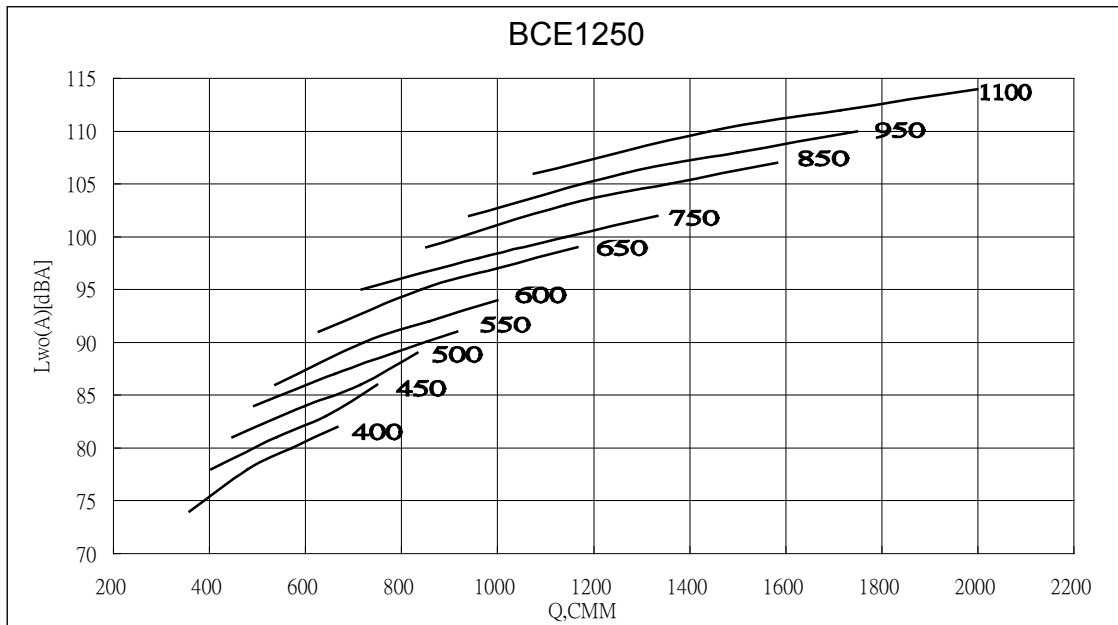
- The A-weighted sound ratings shown have been calculated per AMCA International Standard 301. Values shown are for outlet Lwo(A). sound power levels for installation Type D: ducted inlet , ducted outlet. Ratings include duct end correction.

- The sound power level ratings shown are in decibels, referred to 10<sup>-12</sup> watts calculated per AMCA International Standard 301. dBA levels are not licensed by AMCA International.





BCE Series



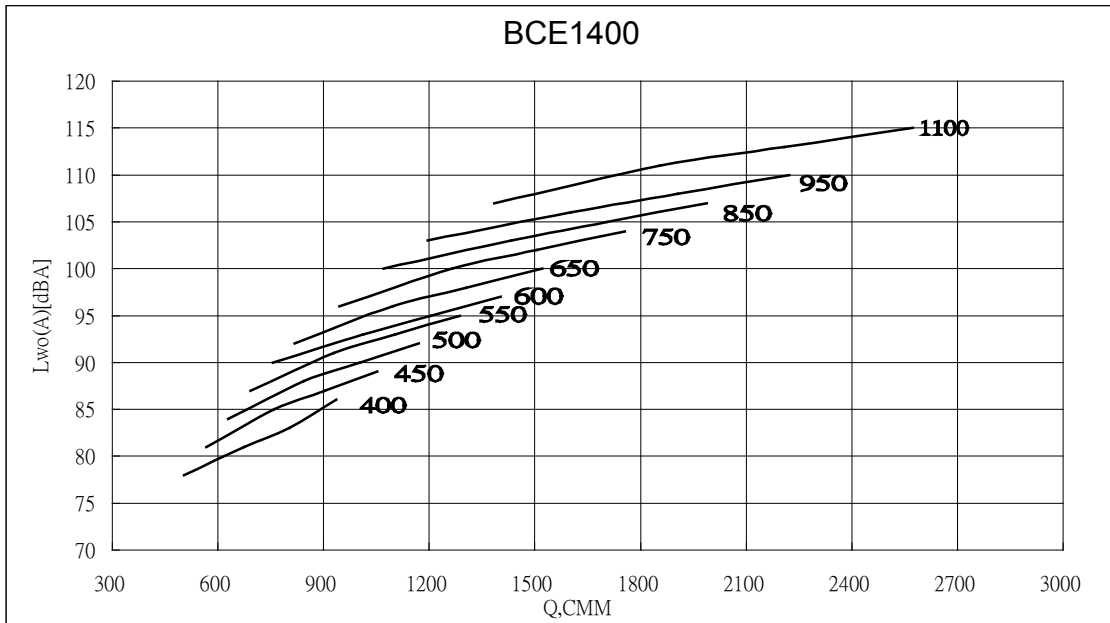
**Sound Power [dB Ref 10<sup>-12</sup> watts] %POF=( CMM\*3531.5 / RPM x 58.80 )**

**Outlet Sound Power, Lwo [ Octave Band ]**

RPM	%POF	Octave Band								Lwo(A) [dBA]
		1	2	3	4	5	6	7	8	
450	100	63	125	250	500	1K	2K	4K	8K	86
	85	97	92	89	83	78	70	62	53	83
	72	95	90	87	81	75	68	59	52	81
	54	94	88	86	79	72	65	56	48	78
550	100	63	125	250	500	1K	2K	4K	8K	91
	85	101	99	94	89	84	78	69	60	89
	72	99	97	93	87	81	74	66	58	87
	54	98	95	91	85	78	72	63	55	84
700	100	63	125	250	500	1K	2K	4K	8K	99
	85	104	106	101	97	91	86	77	68	97
	72	102	104	100	95	88	82	74	66	95
	54	99	103	98	93	85	79	71	63	91
800	100	63	125	250	500	1K	2K	4K	8K	102
	85	107	109	104	101	95	90	81	73	100
	72	104	107	103	99	92	86	79	71	98
	54	102	106	101	97	90	83	76	67	95
950	100	63	125	250	500	1K	2K	4K	8K	107
	85	107	109	104	101	95	90	81	73	105
	72	109	111	107	104	98	91	84	76	103
	54	106	109	105	102	96	88	82	73	99
1200	100	63	125	250	500	1K	2K	4K	8K	114
	85	112	113	109	105	100	95	87	79	112
	72	109	111	107	104	98	91	84	76	110
	54	106	109	105	102	96	88	82	73	106

- The A-weighted sound ratings shown have been calculated per AMCA International Standard 301. Values shown are for outlet Lwo(A). sound power levels for installation Type D: ducted inlet , ducted outlet. Ratings include duct end correction.

- The sound power level ratings shown are in decibels, referred to 10<sup>-12</sup> watts calculated per AMCA International Standard 301. dBA levels are not licensed by AMCA International.



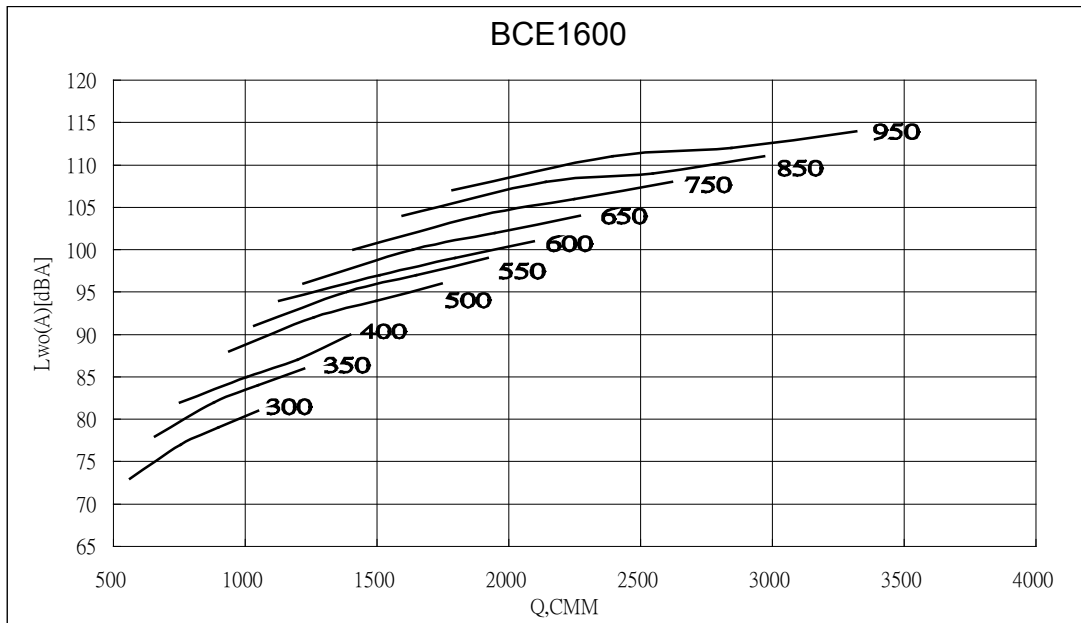
**Sound Power [dB Ref 10-12 watts] %POF=( CMM\*3531.5 / RPM x 82.61 )**

**Outlet Sound Power, Lwo [ Octave Band ]**

RPM	%POF	Octave Band								Lwo(A) [dBA]
		1	2	3	4	5	6	7	8	
		63	125	250	500	1K	2K	4K	8K	
450	100	101	96	92	87	82	74	65	56	89
	85	99	94	91	85	78	71	63	55	87
	72	97	92	89	82	75	68	60	51	85
	54	94	88	85	78	72	67	59	51	81
550	100	105	102	98	93	87	81	72	63	95
	85	102	100	96	91	84	78	70	62	93
	72	101	98	94	89	81	75	67	58	91
	54	98	94	91	85	78	73	66	58	87
600	100	106	105	100	96	90	84	75	66	97
	85	103	103	99	94	87	80	72	65	95
	72	102	101	97	92	84	78	69	61	93
	54	99	97	93	88	81	76	68	61	90
650	100	106	107	102	98	92	87	78	69	100
	85	104	105	101	96	89	83	75	67	98
	72	102	103	99	94	87	80	72	64	96
	54	99	100	96	90	83	78	71	63	92
850	100	112	114	109	106	100	95	87	78	107
	85	109	112	107	104	98	91	84	76	105
	72	107	111	106	103	95	89	81	73	103
	54	104	107	102	99	92	86	80	72	100
1100	100	120	120	117	113	108	103	96	87	115
	85	117	117	116	111	106	99	93	85	113
	72	114	116	113	110	104	96	90	82	111
	54	112	113	109	106	100	93	88	81	107

- The A-weighted sound ratings shown have been calculated per AMCA International Standard 301. Values shown are for outlet Lwo(A). sound power levels for installation Type D: ducted inlet , ducted outlet. Ratings include duct end correction.

- The sound power level ratings shown are in decibels, referred to 10<sup>-12</sup> watts calculated per AMCA International Standard 301. dBA levels are not licensed by AMCA International.



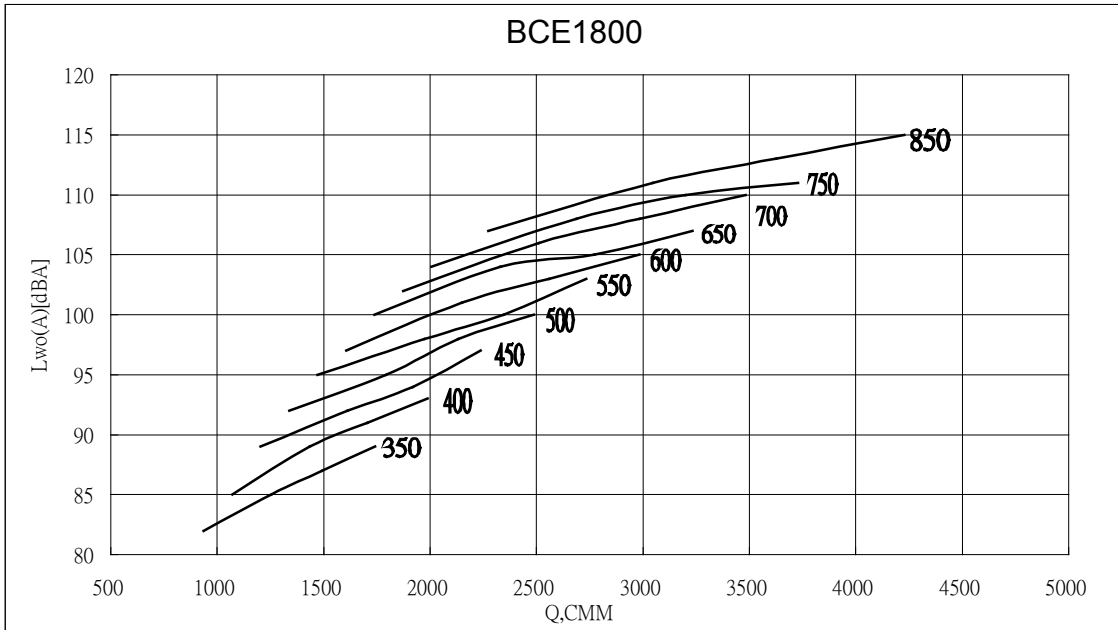
**Sound Power [dB Ref 10-12 watts] %POF=( CMM\*3531.5 / RPM x 123.31 )**

**Outlet Sound Power, Lwo [ Octave Band ]**

RPM	%POF	Octave Band								Lwo(A) [dBA]
		1	2	3	4	5	6	7	8	
300	100	63	125	250	500	1K	2K	4K	8K	81
	85	63	125	250	500	1K	2K	4K	8K	79
	72	63	125	250	500	1K	2K	4K	8K	77
	54	63	125	250	500	1K	2K	4K	8K	73
400	100	63	125	250	500	1K	2K	4K	8K	90
	85	63	125	250	500	1K	2K	4K	8K	87
	72	63	125	250	500	1K	2K	4K	8K	85
	54	63	125	250	500	1K	2K	4K	8K	82
550	100	63	125	250	500	1K	2K	4K	8K	99
	85	63	125	250	500	1K	2K	4K	8K	97
	72	63	125	250	500	1K	2K	4K	8K	95
	54	63	125	250	500	1K	2K	4K	8K	91
650	100	63	125	250	500	1K	2K	4K	8K	104
	85	63	125	250	500	1K	2K	4K	8K	102
	72	63	125	250	500	1K	2K	4K	8K	100
	54	63	125	250	500	1K	2K	4K	8K	96
850	100	63	125	250	500	1K	2K	4K	8K	111
	85	63	125	250	500	1K	2K	4K	8K	109
	72	63	125	250	500	1K	2K	4K	8K	108
	54	63	125	250	500	1K	2K	4K	8K	104
950	100	63	125	250	500	1K	2K	4K	8K	114
	85	63	125	250	500	1K	2K	4K	8K	112
	72	63	125	250	500	1K	2K	4K	8K	111
	54	63	125	250	500	1K	2K	4K	8K	107

- The A-weighted sound ratings shown have been calculated per AMCA International Standard 301. Values shown are for outlet Lwo(A). sound power levels for installation Type D: ducted inlet , ducted outlet. Ratings include duct end correction.

- The sound power level ratings shown are in decibels, referred to 10<sup>-12</sup> watts calculated per AMCA International Standard 301. dBA levels are not licensed by AMCA International.



**Sound Power [dB Ref 10-12 watts] %POF=( CMM\*3531.5 / RPM x 175.57 )**

**Outlet Sound Power, Lwo [ Octave Band ]**

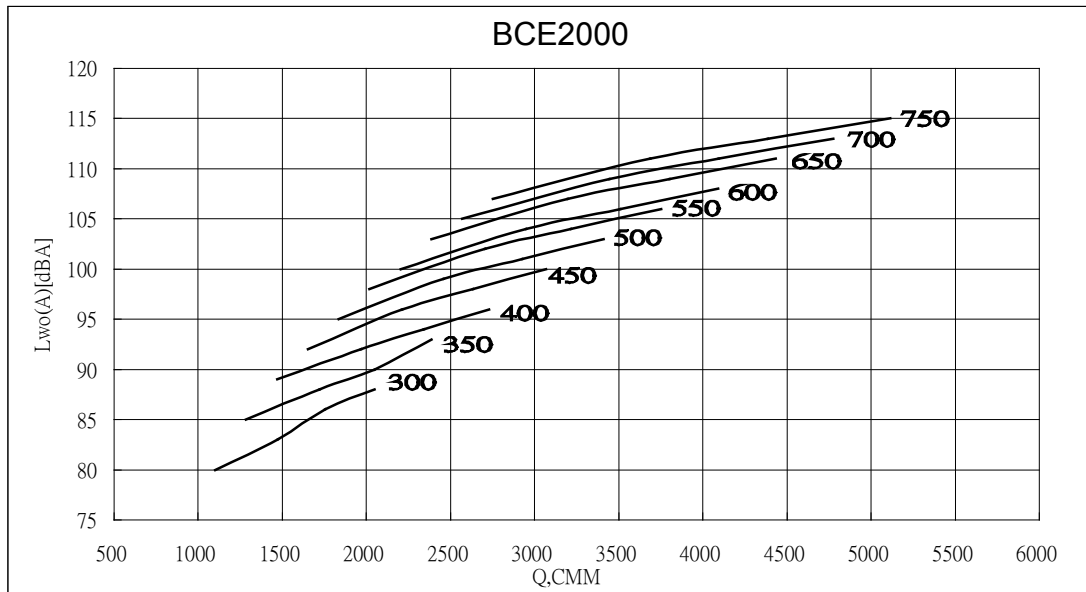
RPM	%POF	Octave Band								Lwo(A) [dBA]
		1	2	3	4	5	6	7	8	
350	100	63	125	250	500	1K	2K	4K	8K	89
	85	102	97	93	87	82	73	64	55	87
	72	100	96	91	84	78	70	62	55	85
	54	99	94	89	82	75	67	59	51	82
450	100	63	125	250	500	1K	2K	4K	8K	97
	85	108	103	100	94	90	81	73	64	94
	72	106	101	98	92	86	79	71	63	92
	54	105	99	97	90	83	76	67	59	89
550	100	63	125	250	500	1K	2K	4K	8K	103
	85	112	110	105	100	95	89	80	71	100
	72	110	108	104	99	92	85	77	69	98
	54	109	106	102	97	89	83	74	66	95
650	100	63	125	250	500	1K	2K	4K	8K	107
	85	114	115	110	106	100	95	86	77	105
	72	112	113	109	104	97	90	83	75	104
	54	110	111	107	102	94	88	80	71	100
750	100	63	125	250	500	1K	2K	4K	8K	111
	85	114	119	114	110	104	99	90	82	110
	72	112	117	112	108	101	95	88	80	108
	54	111	115	110	106	99	92	85	76	104
850	100	63	125	250	500	1K	2K	4K	8K	115
	85	116	119	114	110	104	99	90	82	113
	72	114	117	112	108	101	95	88	80	111
	54	111	115	110	106	99	92	85	76	107

- The A-weighted sound ratings shown have been calculated per AMCA International Standard 301. Values shown are for outlet Lwo(A). sound power levels for installation Type D: ducted inlet , ducted outlet. Ratings include duct end correction.

- The sound power level ratings shown are in decibels, referred to 10<sup>-12</sup> watts calculated per AMCA International Standard 301. dBA levels are not licensed by AMCA International.



BCE Series



**Sound Power [dB Ref 10-12 watts] %POF=( CMM\*3531.5 / RPM x 240.84 ) £**

**Outlet Sound Power, Lwo [ Octave Band ]**

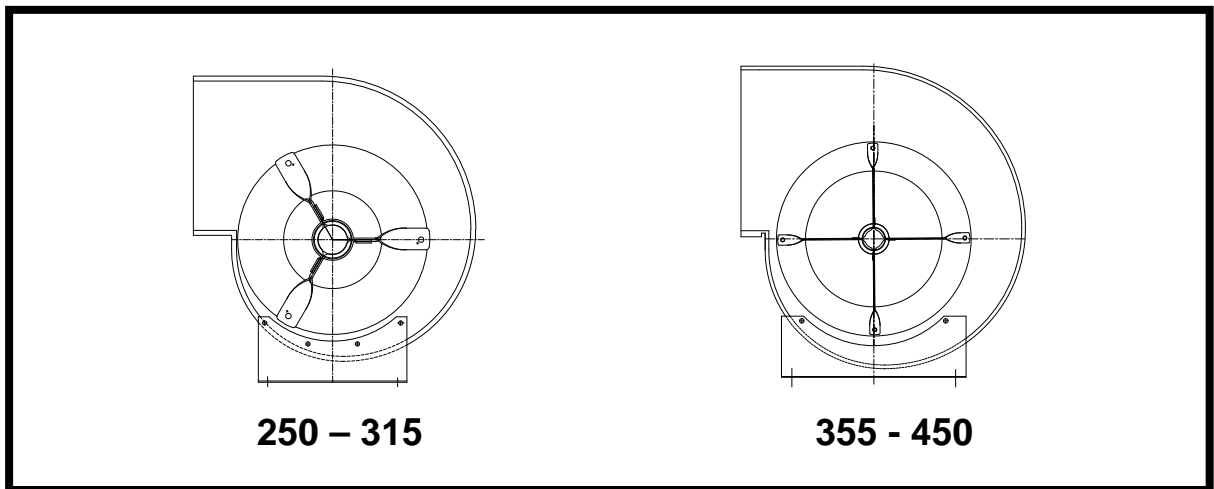
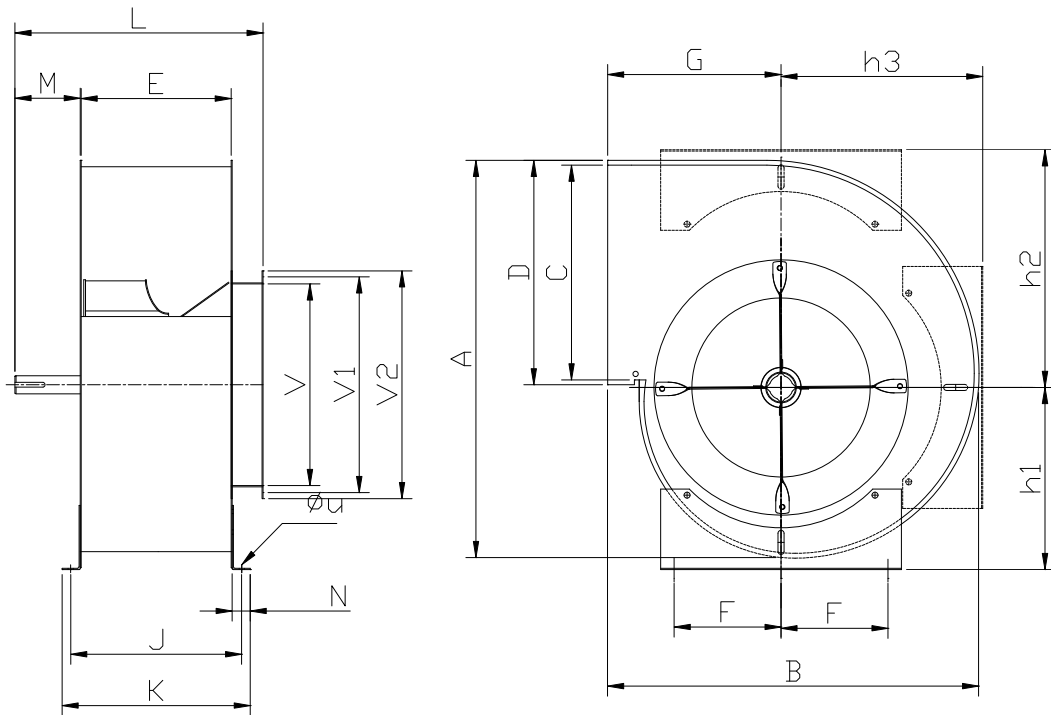
		1	2	3	4	5	6	7	8	Lwo(A)
RPM	%POF	63	125	250	500	1K	2K	4K	8K	[dBA]
300	100	100	96	91	86	80	71	62	53	88
	85	99	95	89	83	76	68	60	53	86
	72	96	93	87	80	73	65	57	49	83
	54	93	89	83	76	71	64	57	49	80
400	100	109	103	100	94	89	81	72	63	96
	85	107	102	98	92	85	78	70	62	94
	72	105	100	96	89	82	75	67	58	92
	54	101	96	93	85	80	73	66	58	89
500	100	113	110	106	101	96	88	80	71	103
	85	111	108	105	99	92	85	77	69	101
	72	110	105	103	97	89	83	74	66	99
	54	106	102	99	93	86	81	73	66	95
550	100	115	113	109	104	98	92	83	74	106
	85	113	111	107	102	95	88	80	73	104
	72	112	109	105	100	92	86	77	69	102
	54	109	105	101	96	89	84	76	69	98
600	100	116	115	111	106	101	95	86	77	108
	85	114	114	110	105	98	91	83	75	106
	72	113	112	108	103	95	89	80	72	104
	54	110	108	104	99	91	87	79	72	100
750	100	119	122	117	113	107	102	94	85	115
	85	117	120	115	111	105	98	91	83	113
	72	115	118	114	110	102	96	88	79	111
	54	112	115	110	106	98	93	86	79	107

- The A-weighted sound ratings shown have been calculated per AMCA International Standard 301. Values shown are for outlet Lwo(A). sound power levels for installation Type D: ducted inlet , ducted outlet. Ratings include duct end correction.

- The sound power level ratings shown are in decibels, referred to 10<sup>-12</sup> watts calculated per AMCA International Standard 301. dBA levels are not licensed by AMCA International.



# BCE 250-450 'L'



**250 – 315**

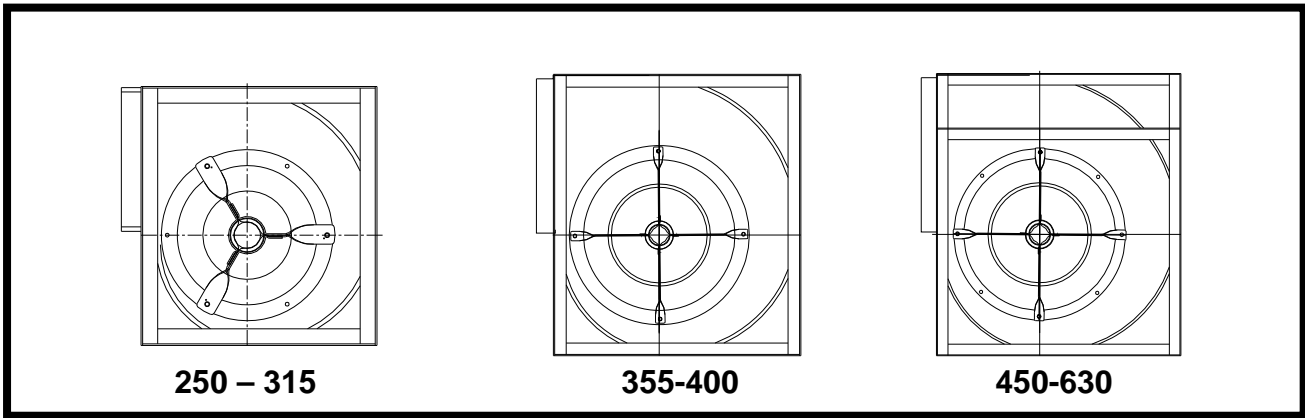
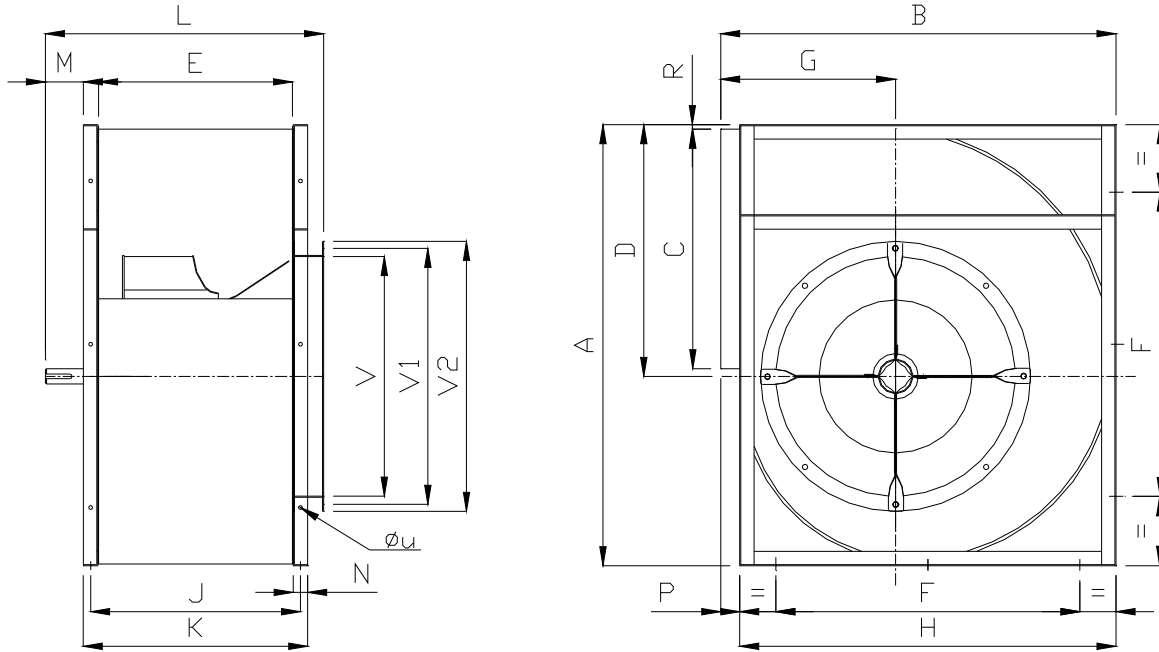
**355 - 450**

Model	A	B	C	D	E	F	G	H1	H2	H3	J	K	L	M	N	V	V1	V2	t	t1	W	Z	Φd	UxS
250	496	455	250	265	200	105	225	231	273	234	334	276	337	45.5	30	250	286	306	6	6	35	22.	20	10
280	552	503	280	297	218	140	245	255	307	270	364	312	370	80	30	280	322	348	8	7	35	28	25	10
315	605	555	315	333	250	140	265	272	344	295	404	355	432	80	30	315	356	382	8	7	35	28	25	10
355	677	616	355	371	280	177.	288	301	393	335	535	380	460	80	30	355	395	421	8	7	35	33	30	12
400	758	688	400	421	316	177.	320	337	425	385	595	403	488	78.5	30	400	438	464	8	7	35	33	30	12
450	830	752	450	473	358	225	340	357	480	419	676	436	536	89	30	450	487	515	10	8	35	38	35	12

All dimensions in mm.



# BCE 250-630 'M'

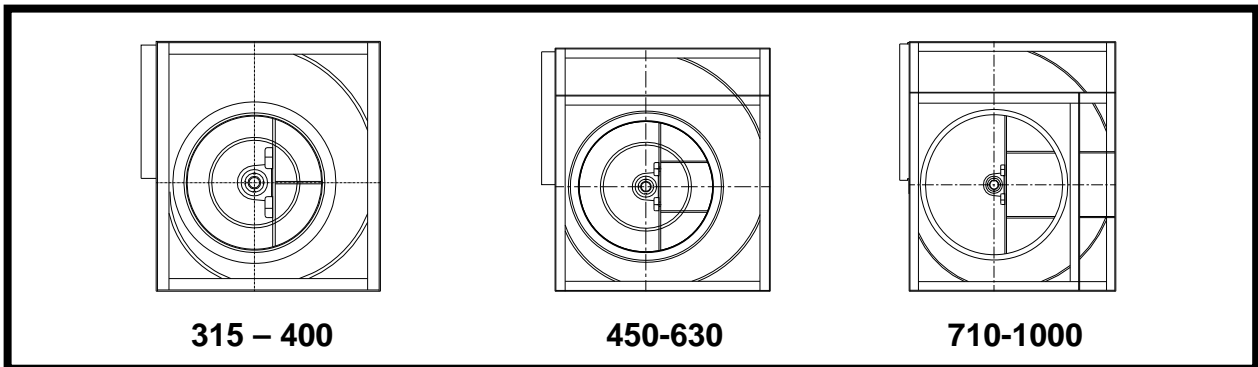
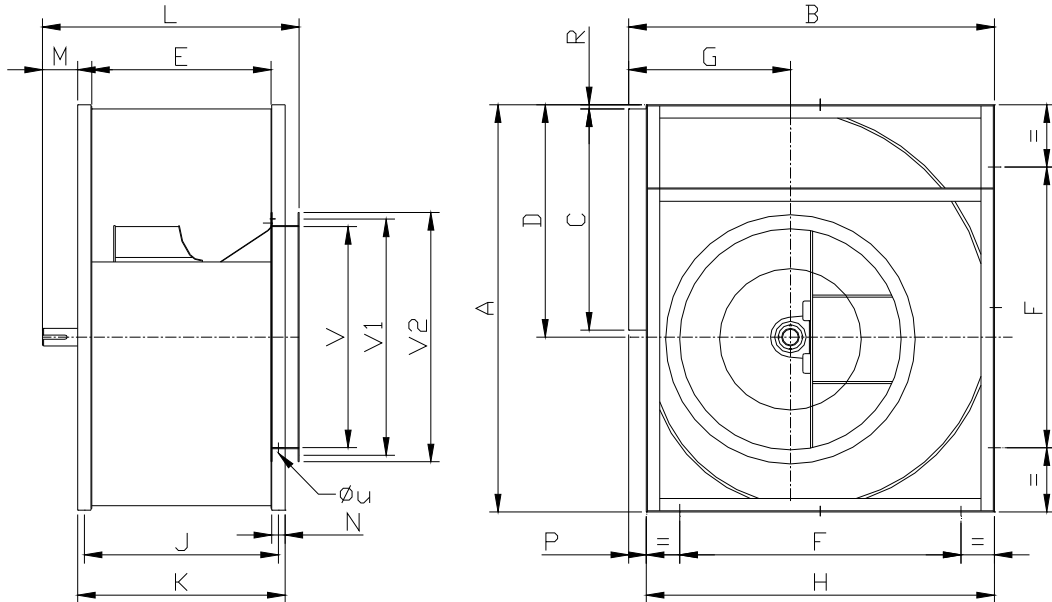


Model	A	B	C	D	E	F	G	H	J	K	L	M	V	V1	V2	N	P	R	t	T1	W	Z	Φd	UxS
250	474	455	250	271	200	250	220	425	232	252	352	55	250	286	306	30	35	6	6	6	35	22.5	20	10
280	525	565	280	300	218	280	245	470	250	280	380	60	280	322	348	30	35	11	8	7	45	28	25	14
315	590	560	315	338	250	280	265	525	282	312	432	60	315	356	382	30	35	13	8	7	45	28	25	14
355	662	620	355	378	280	425	288	580	313	342	467	80	355	395	421	30	40	11	8	7	50	33	30	14
400	743	690	400	423	316	470	320	650	349	379	523	80	400	438	464	30	40	10	8	7	50	33	30	14
450	832	760	450	475	358	532	345	715	392	422	572	90	450	487	515	30	45	10	10	8	50	38	35	14
500	930	855	500	530	395	625	390	805	437	475	618	90	500	541	565	38	50	14	10	8	60	43	35	14
560	1031	945	580	586	445	700	430	892	487	525	667	100	560	605	640	38	50	8	12	8	70	43	40	14
630	1160	1040	630	662	500	800	460	990	542	580	732	110	630	671	710	38	50	12	12	8	70	43	40	14

All dimensions in mm.



# BCE 315-1000 'H'



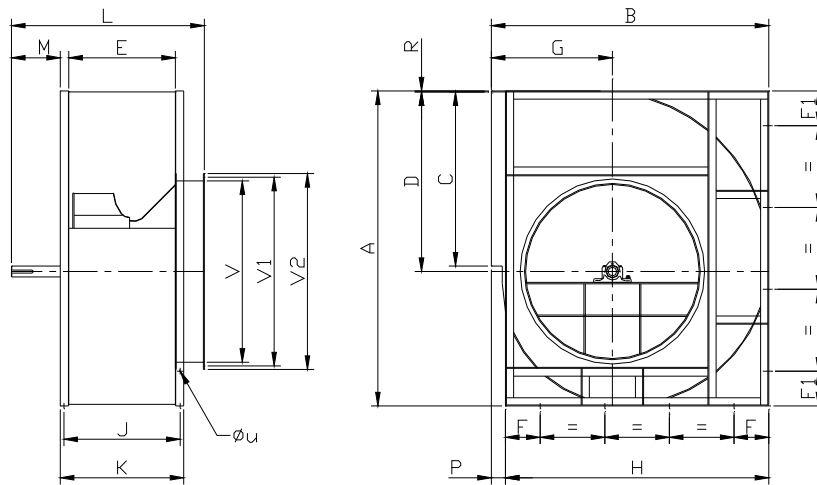
Model	A	B	C	D	E	F	G	H	J	K	L	M	N	P	V	V1	V2	R	t	t1	W	Z	$\Phi d$	UxS
315	590	560	315	334	250	280	265	525	280	312	416.5	78	30	35	315	356	382	8.5	8	7	45	28	25	14
355	662	620	355	378	280	425	288	580	313	343	467	74	30	40	355	395	421	11	8	7	50	33	30	14
400	743	690	408	423	316	470	320	650	349	379	504	74	30	40	400	438	464	10	8	7	50	33	30	14
450	832	760	458	475	358	532	345	715	392	422	568	96	30	45	450	487	515	10	10	8	50	38	35	14
500	930	855	508	530	395	625	390	805	437	475	613	96	38	50	500	541	565	14	10	8	60	38	35	14
560	1031	945	586	568	445	700	430	895	487	525	675	108	38	50	560	605	640	8	12	8	70	43	40	14
630	1160	1040	630	662	500	800	460	990	542	580	730	108	38	50	630	674	710	12	12	8	70	43	40	14
710	1300	1150	710	745	565	940	502	1100	619	669	835	114	50	50	710	730	785	12	14	9	90	48.5	45	18
800	1460	1300	800	835	635	1080	565	1240	689	739	905	114	50	60	800	818	875	10	14	9	90	48.5	45	18
900	1643	1395	900	943	715	1230	635	1395	769	819	1015	141	50	60	900	934	970	13	16	10	100	59	55	18
1000	1815	1600	1000	1043	795	1380	695	1540	849	899	1092	141	50	60	1000	1043	1080	13	16	10	100	59	55	18

All dimensions in mm.





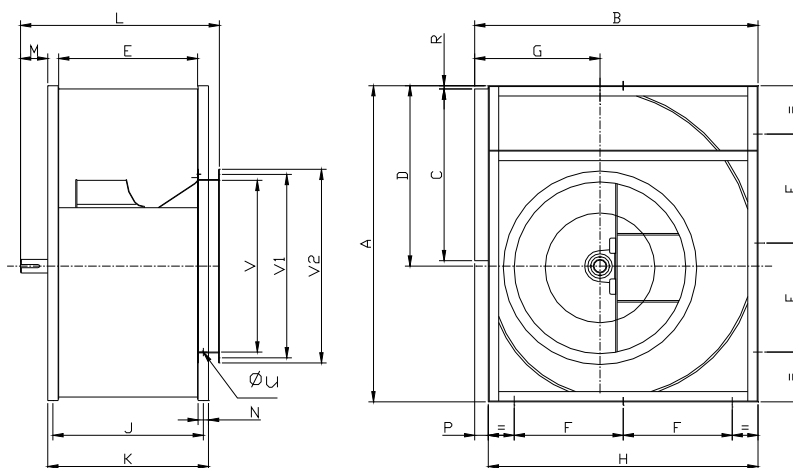
# BCE 1120-2000 'H'



Model	A	B	C	D	E	F	F1	G	H	J	K	L	M	N	V	V1	V2	P	R	t	t1	W	Z	Φd	UxS
1120	2035	1822	1120	1170	890	255	255	807	2035	971	1046	1325	170	75	1120	1180	1220	95	6	18	11	110	64	60	18
1250	2270	2025	1250	1305	992	300	300	890	2270	1073	1148	1377	174	75	1250	1303	1350	93	5	18	11	110	69	65	18
1400	2565	2313	1400	1470	1110	300	300	1040	2565	1191	1266	1460	194	75	1400	1467	1512	120	9	20	12	110	74.5	70	18
1600	2895	2555	1600	1650	1270	320	320	1115	2425	1360	1426	1776	200	75	1600	1690	1740	130	9	22	14	140	85	80	18
1800	3270	2935	1800	1860	1430	350	350	1300	2785	1536	1616	2001	250	90	1800	1900	1950	150	10	22	14	180	90	85	18
2000	3625	3205	2000	2075	1590	350	350	1395	3055	1696	1776	2176	250	90	2000	2100	2150	150	10	25	14	180	95	90	18

All dimensions in mm.

# BCE 315-400 'V'

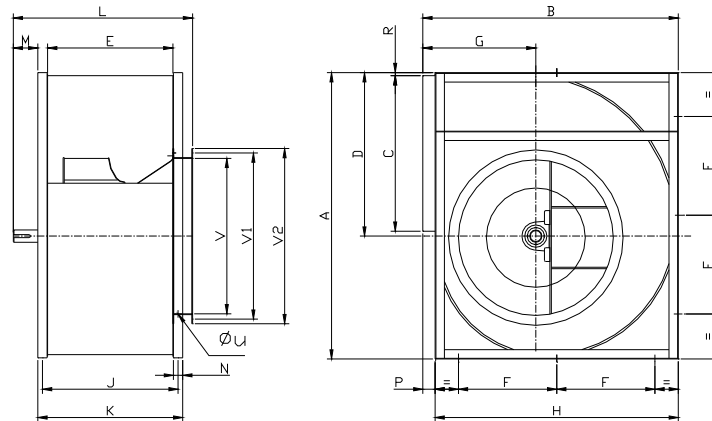


Model	A	B	C	D	E	F	G	H	J	K	L	M	N	V	V1	V2	P	R	T	t1	W	Z	Φd	UxS
315	590	560	315	338	250	280	265	525	282	312	455	83	30	315	356	382	35	13	8	7	44	33	30	14
355	662	620	355	378	280	425	288	580	313	343	503	100	30	355	395	421	40	11	10	8	55	38	35	14
400	743	690	400	423	316	470	320	650	349	379	543	100	30	400	438	464	40	10	10	8	55	38	35	14



# BCZ 450 - 1000 'V'

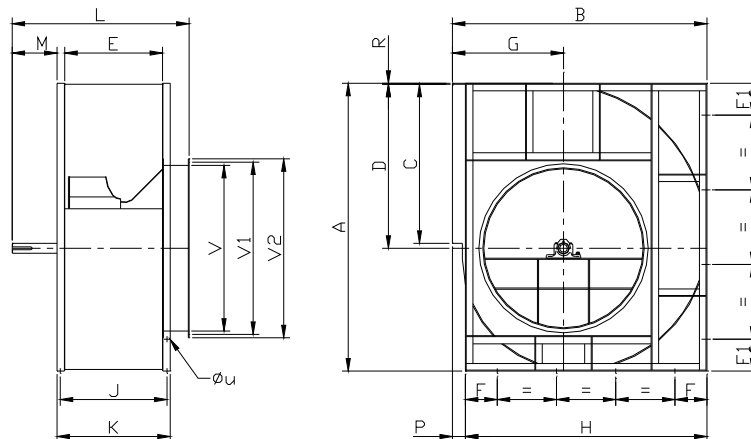
All dimensions in mm.



Model	A	B	C	D	E	F	G	H	J	K	L	M	N	V	V1	V2	P	R	t	T1	W	Z	Φd	UxS
450	832	760	450	475	358	532	345	715	392	422	597	115	30	450	487	515	45	10	12	8	74	43	40	14
500	930	855	500	530	395	625	390	805	437	475	637	110	38	500	541	565	50	14	14	9	76	43	40	14
560	1031	945	560	568	445	700	430	895	487	525	687	120	38	560	605	640	50	8	14	9	77	48.5	45	14
630	1160	1040	630	662	500	800	460	990	542	580	737	115	38	630	674	710	50	12	14	9	97	48.5	45	14
710	1300	1150	710	745	565	940	502	1100	619	669	876	135	50	710	730	785	50	12	14	9	97	53.5	50	18
800	1460	1300	800	835	635	1080	565	1240	689	739	948	137	50	800	818	875	60	10	14	9	97	53.5	50	18
900	1643	1455	900	943	715	1230	635	1395	769	819	1036	145	50	900	934	970	60	13	18	11	99	64	60	18
1000	1815	1600	1000	1043	795	1380	695	1540	849	899	1116	162	50	1000	1043	1080	60	13	18	11	99	64	60	18

All dimensions in mm.

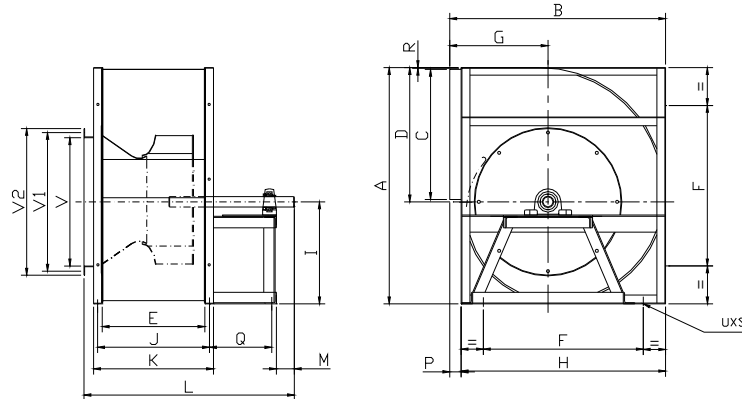
# BCE 1120-2000 'V'



Model	A	B	C	D	E	F	F1	G	H	J	K	L	M	N	V	V1	V2	P	R	t	t1	W	Z	Φd	UxS
1120	2035	1822	1120	1170	890	255	255	807	1727	971	1046	1290	174	70	1120	1180	1220	95	6	22	14	140	85	70	18
1250	2270	2025	1250	1305	992	300	300	890	1932	1073	1148	1430	194	88	1250	1303	1350	93	5	22	14	140	90	75	18
1400	2565	2313	1400	1470	1110	300	300	1040	2193	1191	1266	1595	200	101	1400	1467	1512	120	9	25	14	140	95	80	18
1600	2895	2555	1600	1650	1270	320	320	1115	2425	1310	1426	1876	300	150	1600	1690	1740	130	9	28	16	200	106	85	18
1800	3270	2935	1800	1860	1430	350	350	1300	2785	1536	1616	2051	300	135	1800	1900	1950	150	10	28	16	250	106	90	18
2000	3625	3205	2000	2075	1590	350	350	1395	3055	1696	1776	2226	300	150	2000	2100	2150	150	10	28	16	250	106	100	18



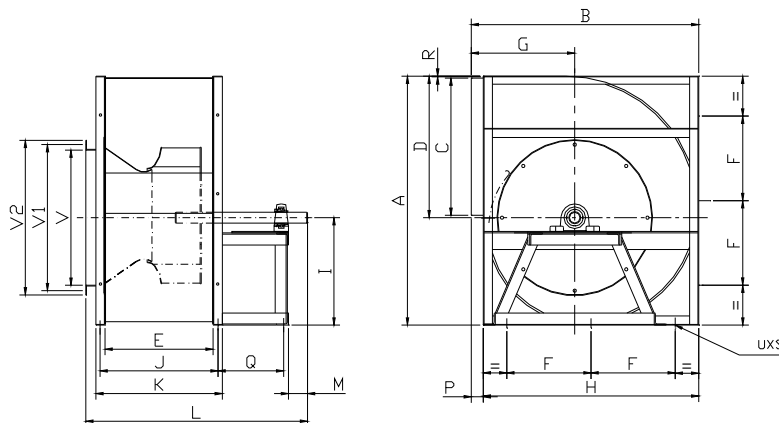
## BCE 315-400 'T'



Model	A	B	C	D	E	F	G	H	J	K	L	M	P	Q	R	V	V1	V2	t	t1	W	Z	Φd	UxS
315	590	560	315	334	250	280	265	525	285	312	600	69	35	183	9	318	353	388	8	7	40	33	30	14
355	662	620	355	378	280	425	288	580	316	343	642	72	40	221	11	355	388	422	10	8	50	38	35	14
400	743	690	400	423	316	470	320	650	352	379	744	74	40	235	10	400	438	464	10	8	70	38	35	14

All dimensions in mm.

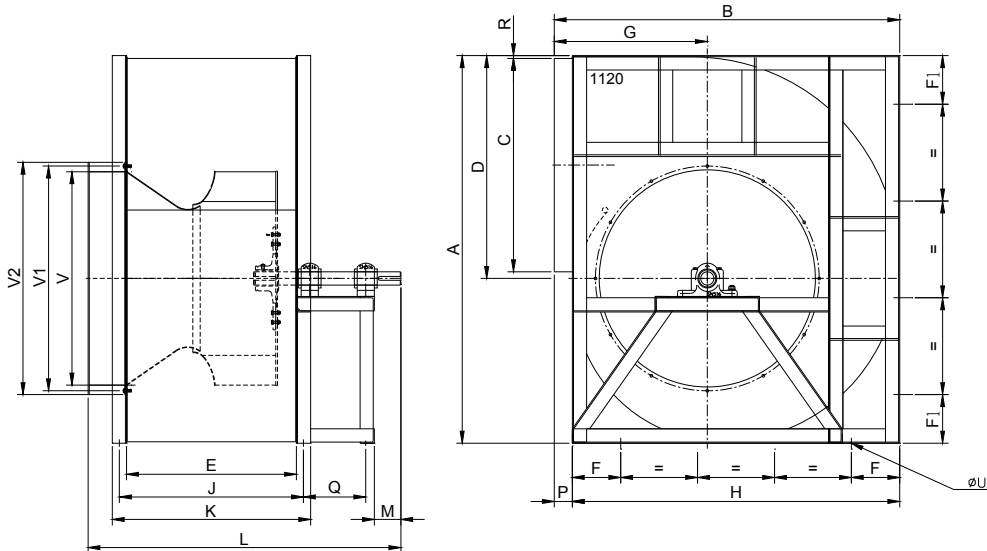
## BCE 450-1000 'T'



Model	A	B	C	D	E	F	G	H	J	K	L	M	P	R	Q	V	V1	V2	t	t1	W	Z	Φd	UxS
450	832	760	450	475	358	266	345	715	395	422	820	90	45	10	252	450	483	515	12	8	70	43	40	14
500	930	855	500	530	395	313	390	805	440	475	855	90	50	14	240	500	533	565	12	8	70	43	40	14
560	1031	945	560	586	445	350	430	895	490	525	965	90	50	8	300	560	605	640	14	9	70	49	45	14
630	1160	1040	630	662	500	400	460	99	545	580	1039	97	50	12	313	630	670	710	14	9	90	49	45	14
710	1300	1150	710	745	565	470	502	1100	642	669	1209	110	50	12	376	710	754	785	14	9	90	54	50	18
800	1460	1300	800	835	635	540	565	1240	694	739	1322	110	60	10	419	800	837	875	16	10	90	59	55	18
900	1643	1455	900	943	715	615	635	1395	774	819	1464	110	60	13	480	900	934	970	18	11	90	64	60	18
1000	1815	1600	1000	1043	795	690	695	1540	854	899	1592	140	60	13	500	1000	1043	1080	18	11	110	69	65	18



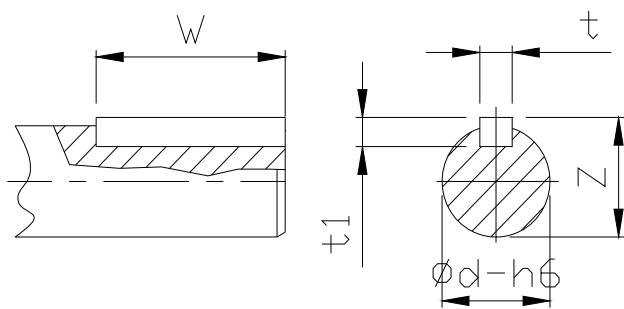
# BCE 1120-2000 'T'



Model	A	B	C	D	E	F	F1	G	H	J	K	L	M	P	R	Q	V	V1	V2	t	t1	W	Z	Φd	UxS
1120	2035	1822	1120	1170	890	255	255	807	1727	971	1046	1814	140	95	15	500	1120	1180	1220	20	12	110	75	70	18
1250	2270	2025	1250	1305	992	300	300	890	1932	1082	1148	1971	140	93	15	550	1250	1303	1350	20	12	110	80	75	18
1400	2565	2313	1400	1470	1110	300	300	1040	2193	1191	1266	2135	140	120	9	600	1530	1480	1400	22	14	120	85	80	18
1600	2895	2555	1600	1650	1270	320	320	1115	2425	1360	1426	2428	215	130	10	650	1740	1690	1600	22	14	180	90	85	18
1800	3270	2935	1800	1860	1430	350	350	1300	2785	1536	1616	2676	240	150	15	700	1950	1900	1800	25	14	200	95	90	18
2000	3625	3205	2000	2075	1590	350	350	1395	3055	1696	1776	2826	230	150	15	700	2150	2100	2000	28	16	200	106	100	18

All dimensions in mm.

## KEY WAY Dimensions.

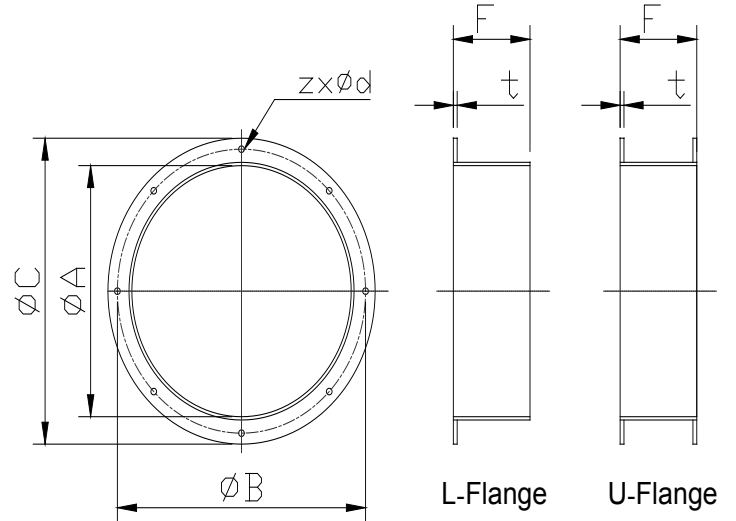




# Accessories

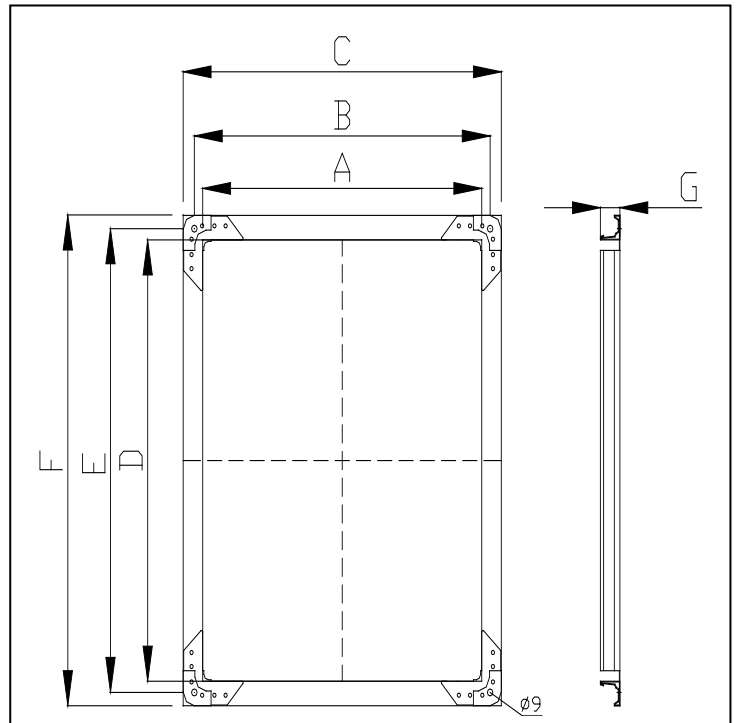
## ■ Inlet Flange

Model	A	B	C	F	Z x $\Phi$ d
250	250	286	306	60	6x7
280	280	322	348	60	6x12
315	315	356	388	60	6x12
355	355	395	422	80	8x12
400	400	438	464	80	8x12
450	450	487	515	80	8x12
500	500	541	565	80	8x12
560	560	605	640	80	8x14
630	630	674	710	80	8x14
710	710	751	785	100	8x14
800	800	837	875	100	8x14
900	900	934	970	100	8x14
1000	1000	1043	1080	100	8x14



## Outlet Flange

Model	A	B	C	D	E	F	G
250	200	227	255	250	277	305	28
280	225	247	275	280	307	335	28
315	250	277	305	315	342	370	28
355	280	310	350	355	387	425	28
400	316	346	386	400	432	470	28
450	358	388	428	450	482	520	28
500	395	425	465	500	532	570	28
560	445	475	515	560	592	630	28
630	500	530	570	630	662	700	35
710	565	595	635	710	742	780	35
800	635	665	705	800	832	870	35
900	715	745	785	900	932	970	35
1000	795	825	865	1000	1032	1070	35



The characteristics of the fan stated in this in this catalogue, like dimensions, performances and so on, can be modified without previous notice, therefore the company reserves the right to make changes to the illustrated products. Certified dimension will be provided upon request.



## Centrifugal Fan Order Information

Fan Details			
● Fan Type		<input type="checkbox"/> DWDI <input type="checkbox"/> SWSI	
● Impeller Type		<input type="checkbox"/> Forward Curved <input type="checkbox"/> Backward Curved <input type="checkbox"/> Others : _____	
● Model & Size e.g. BCE630-M		<input type="checkbox"/> Model : _____ (If known)	
● Drive type-Belt, Direct, Coupling(if differ from standard)		<input type="checkbox"/> Belt <input type="checkbox"/> Direct <input type="checkbox"/> Coupling <input type="checkbox"/> Others : _____ (Please state)	
● Drive Arrangements		<input type="checkbox"/> Bare fan <input type="checkbox"/> Complete with drive system	
● Rotation & Discharge e.g. CCW 90		<input type="checkbox"/> CW <input type="checkbox"/> CCW <input type="checkbox"/> 90 <input type="checkbox"/> 180 <input type="checkbox"/> 270 <input type="checkbox"/> 360	
● Motor Position (refer to Diagram) e.g. W		<input type="checkbox"/> W <input type="checkbox"/> X <input type="checkbox"/> Y <input type="checkbox"/> Z	
● Air Flow Rate		Q : _____ <input type="checkbox"/> L/S <input type="checkbox"/> m <sup>3</sup> /h <input type="checkbox"/> m <sup>3</sup> /min <input type="checkbox"/> m <sup>3</sup> /s <input type="checkbox"/> cfm	
● Pressure (static or total)		Sp : _____ TP : _____ <input type="checkbox"/> Pa <input type="checkbox"/> mmH <sup>2</sup> o <input type="checkbox"/> inWG	
● Fan RPM (if specified)		Max : _____ Min : _____	
● Noise Level		<input type="checkbox"/> dB <input type="checkbox"/> dBA Lw : _____ Lp : _____ at distance : _____m <input type="checkbox"/> Free Field <input type="checkbox"/> room condition <input type="checkbox"/> corner / wall	
● Ambient temperature		Temp : _____ °C	
● Air density, if differ from standard		<input type="checkbox"/> Density : _____ kg/m <sup>3</sup> <input type="checkbox"/> Altitude : _____ m	
Motor Detail		Fittings Detail	
● Power	<input type="checkbox"/> kW : _____ <input type="checkbox"/> HP : _____	● Accessories	<input type="checkbox"/> Inspection door <input type="checkbox"/> Drain plug <input type="checkbox"/> Flexible duct
● No. of Poles / Rpm	<input type="checkbox"/> 2P <input type="checkbox"/> 4P <input type="checkbox"/> 6P <input type="checkbox"/> Others : _____ ( please state RPM )	Vibration Isolators:	<input type="checkbox"/> Rubber <input type="checkbox"/> Spring <input type="checkbox"/> Floor-mount <input type="checkbox"/> Ceiling-hang
● Voltage	<input type="checkbox"/> 220V <input type="checkbox"/> 415 <input type="checkbox"/> 380V <input type="checkbox"/> 440V <input type="checkbox"/> 400V <input type="checkbox"/> Others : _____	Silencers :	<input type="checkbox"/> With pod <input type="checkbox"/> Without pod <input type="checkbox"/> Inlet <input type="checkbox"/> Outlet <input type="checkbox"/> Both inlet & Outlet
● Phase	<input type="checkbox"/> 1 <input type="checkbox"/> 3	Counter-flanges :	<input type="checkbox"/> Flat L-type <input type="checkbox"/> U-type <input type="checkbox"/> Inlet <input type="checkbox"/> Outlet
● Frequency	<input type="checkbox"/> 50Hz <input type="checkbox"/> 60Hz	Special Features	
● Frame size	<input type="checkbox"/> IEC: _____ <input type="checkbox"/> NEMA: _____ <input type="checkbox"/> Others : _____	● Other Requirements	<input type="checkbox"/> Painting <input type="checkbox"/> Powder coating <input type="checkbox"/> Hot-dipped galvanizing <input type="checkbox"/> Spark-resistant <input type="checkbox"/> Corrosion-resistant <input type="checkbox"/> Heat-resistant, temp. _____°C <input type="checkbox"/> Smoke Spill, Max. temp. _____°C for _____Hr



**陽鼎實業股份有限公司**  
**FLOWTECH CO., LTD.**

## THE FLOWTECH GROUP

---

● **TAIPEI Headquarters** 台北總公司

234 新北市永和區保生路一號 19 樓之 5

19F-5, No. 1, BaoSheng Rd., Yonghe dist, New Taipei City, Taiwan, 234

Tel : +886-2-2232-8066 Fax : +886-2-2231-0285~6

E-mail : [ydc28066@ms8.hinet.net](mailto:ydc28066@ms8.hinet.net) , [flow.tech@msa.hinet.net](mailto:flow.tech@msa.hinet.net)

Website : [www.flowtech.com.tw](http://www.flowtech.com.tw)

● **Factory** 冬山廠

269 宜蘭縣冬山鄉得安村梅林路 658 號

No.658, Meilin Rd., De-an Village, Dongshan Township ,

Yilan County, Taiwan , 269

Tel : +886-39-612-449 Fax : +886-39-615-843

● **Lab** 實驗室

269 宜蘭縣冬山鄉內湖一路102號

No.102, Neihu 1st Rd., Dongshan Township,

Yilan County, Taiwan , 269

Tel : +886-39-612-449 Fax : +886-39-615-843

CNo. : CAT-BCE 0313.1 March 2013

**AGENT (經銷商):**

---

[www.flowtech.com.tw](http://www.flowtech.com.tw)