



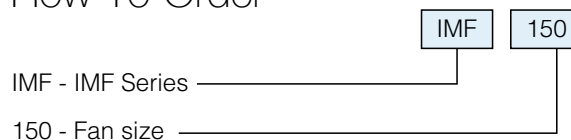
IMF150

In-line Mixed Flow Fan

IMF150



How To Order



Motor

Type, induction.

Electricity supply - single phase 220-240V 50hz or 220V 60Hz.

Bearings - ball.

Maximum ambient temperature - 50°C.

Class II insulation, IP44 rated.

Internal Thermal Protection

One shot thermal fuse.

Testing

Airflow to ISO 5801:2007 and ANSI/AMCA 210-16

Noise to BS 848 Part 2:1985

Suggested Specification

The in-line fans shall be of the IMF Series as supplied by Elta Fans and be of the models shown. It shall have single-phase induction motor with built in thermal protection and double insulated so no earth connection is required. Fan housing and impeller are made from high quality plastic. Motors and impellers are balanced to ISO 14694 Grade G6.3. All models shall be fully tested to ISO 5801:2007 and ANSI/AMCA 210-16 for Airflow and BS848 Part 2:1985 for noise.

Description

The IMF Series are a range of in-line mixed flow fans with a compact profile. This means they offer excellent pressure development characteristics. They have been designed specifically for use with rigid or flexible ductwork and can be used for a wide variety of residential and commercial applications.

Typical Applications

Exhaust from bathrooms, toilets, laundries, kitchens and other small to medium spaces in houses, hotels and apartments.

Features

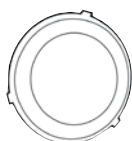
- All plastic casing provides a long lasting, robust and non-corrosive construction.
- Unique mixed flow impeller with fixed blade angles designed to overcome the resistances of long ducting systems and creates top silent operation.
- Units have been constructed from shockproof, heat resistant white plastic, with both motor and impeller mounted within the unit casing.
- Single-phase induction motor with integral thermal protection, mounted on sealed for life high quality sleeve bearings.
- Wired terminal box mounted on the outside of the unit casing, for ease of connection
- Double insulated so no earth connection is required. Available in Standard and run-on timer versions.
- Suitable for continuous and intermittent running.
- Comes with 2 year warranty.
- Mounting bracket is supplied as standard.

Construction

Fan housing and impeller are made from high quality plastic which is shock proof and long lasting.

Finished in white RAL 9010 and UV resistant.

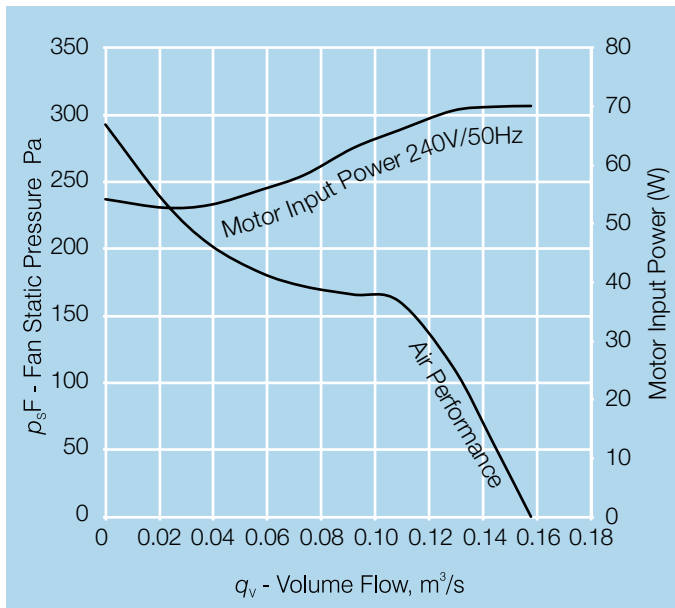
Ancillary Equipment



Ceiling Grilles
Ref. Section L



Ducting, Louvres & Grilles
Ref. Section L

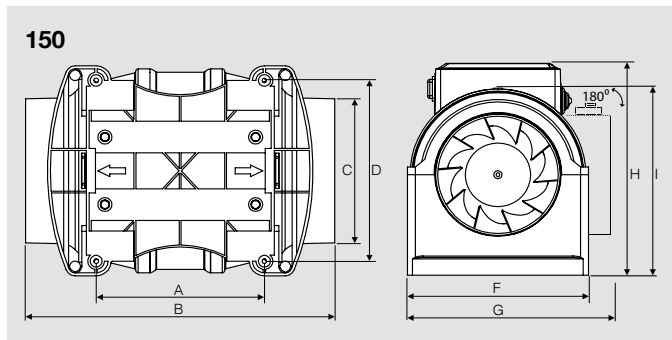


Elta Fans Malaysia Sdn. Bhd. certifies that the model IMF150 In-line Mixed Flow Fan shown herein is licensed to bear the AMCA seal. The ratings shown are based on tests and procedures performed in accordance with AMCA Publication 211 and comply with the requirements of the AMCA Certified Ratings Program. Performance certified is for installation type D: Ducted inlet, ducted outlet. Speed (RPS) shown is nominal. Performance is based on actual speed of test. Performance ratings do not include the effects of appurtenances (accessories).

Technical Data

Model Number	Free Air m^3/sec	FanSpeed rev/sec	Watts	Avg. dB(A) @ 3m
IMF150	0.16	43	67	48

Dimensions



Model Number	Dimensions, mm							
IMF...	A	B	CØ	D	F	G	H	I
150	182	298	147	170	194	223	236	211



Elta Fans Malaysia Sdn Bhd

Tel **+603 7846 0340**

Fax **+603 7842 1132**

Email **info@eltafans.asia**

No. 147, Jalan TUDM Kampung
Baru Subang, 40150 Shah Alam,
Selangor West Malaysia, Malaysia

eltafans.asia

IMF150-January-2020 Issue A



FS 676456

A MEMBER OF  ELTA GROUP