



Acoustic
Louvers



Air Outlets

Since 1982

ACOUSTIC LOUVERS

Model: ACL-150

Acoustic louvers are used in Air intake and exhaust applications with the dual function of weather protection and airborne sound reduction. Suitable for commercial and industrial applications.

Constructional Details

Frame

Frame is made of 0.90mm thickness galvanized steel sheet.

Blades

Double wall galvanized steel blade filled with acoustic infill. Top of the blade is made of 0.90mm galvanized steel sheet and the bottom is from 0.70mm galvanized steel perforated sheet.

Infill

64kg/m³ density sound absorbing Rockwool insulation with Black Glass Tissue Facing to avoid the erosion of fiber particles in high airway velocities.

Screen

12.5 x 12.5mm galvanized steel bird screen

Mounting

Vertical

Finish

Factory mill finish

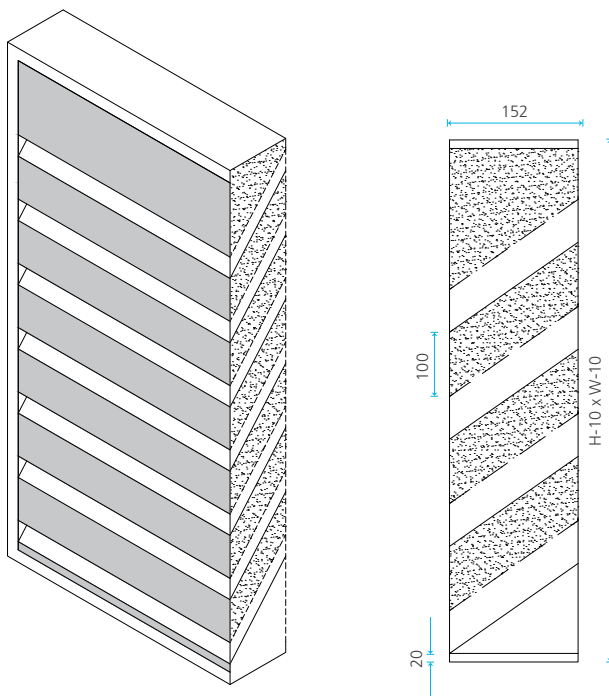
Minimum single section

300 x 300mm

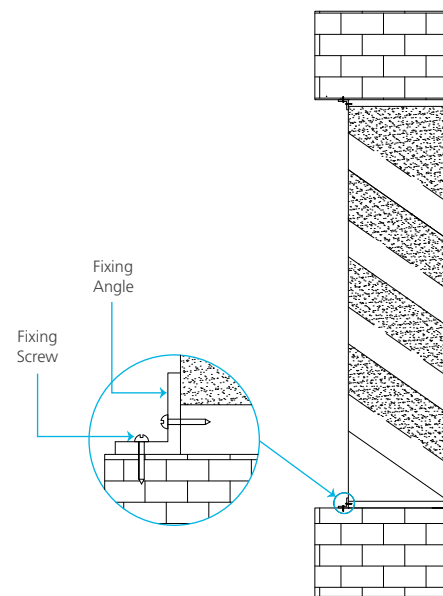
Maximum single section

1500 x 3000mm (larger sizes are manufactured in multiple pieces for assembling at site)

Dimensional Details



Installation Details



Acoustic Performance

| Frequency (Hz) | 125 | 250 | 500 | 1000 | 2000 | 4000 | STC |
|---------------------------------|-----|-----|-----|------|------|------|-----|
| Transmission Loss (dB) | 2 | 3 | 6 | 8 | 8 | 7 | 7 |
| Free Field Noise Reduction (dB) | 8 | 9 | 12 | 14 | 14 | 13 | |

● Free Field Noise Reduction = Transmission Loss + 6 dB ● STC - Sound Transmission Coefficient

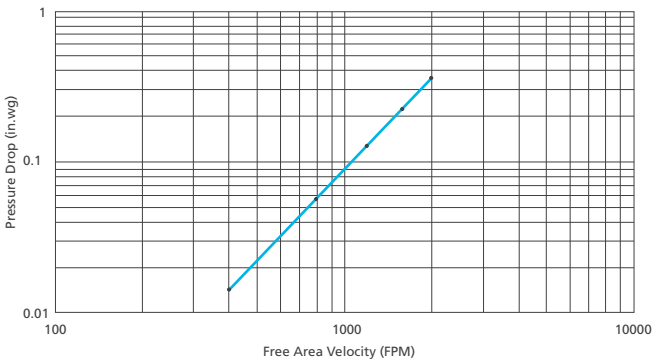
LOUVER WIDTH in mm (Inches)

| | 305 | 457 | 610 | 762 | 914 | 1067 | 1219 | 1372 | 1524 | 1676 | 1829 | 1981 | 2134 | 2286 | 2438 | 2591 | 2743 | 2896 | 3048 |
|------|-------|-------|-------|-------|-------|-------|-------|-------|-------|-------|-------|-------|-------|-------|-------|-------|-------|-------|-------|
| | 12 | 18 | 24 | 30 | 36 | 42 | 48 | 54 | 60 | 66 | 72 | 78 | 84 | 90 | 96 | 102 | 108 | 114 | 120 |
| 356 | 0.027 | 0.042 | 0.057 | 0.073 | 0.088 | 0.104 | 0.119 | 0.134 | 0.150 | 0.165 | 0.180 | 0.196 | 0.211 | 0.227 | 0.242 | 0.257 | 0.273 | 0.288 | 0.303 |
| 14 | 0.29 | 0.45 | 0.62 | 0.78 | 0.95 | 1.12 | 1.28 | 1.45 | 1.61 | 1.78 | 1.94 | 2.11 | 2.27 | 2.44 | 2.60 | 2.77 | 2.93 | 3.10 | 3.27 |
| 610 | 0.039 | 0.062 | 0.084 | 0.107 | 0.129 | 0.152 | 0.174 | 0.197 | 0.219 | 0.241 | 0.264 | 0.286 | 0.309 | 0.332 | 0.354 | 0.377 | 0.399 | 0.422 | 0.444 |
| 24 | 0.42 | 0.66 | 0.91 | 1.15 | 1.39 | 1.63 | 1.87 | 2.12 | 2.36 | 2.60 | 2.84 | 3.08 | 3.33 | 3.57 | 3.81 | 4.05 | 4.29 | 4.54 | 4.78 |
| 914 | 0.065 | 0.103 | 0.140 | 0.178 | 0.215 | 0.253 | 0.290 | 0.328 | 0.365 | 0.402 | 0.440 | 0.477 | 0.515 | 0.553 | 0.590 | 0.628 | 0.665 | 0.703 | 0.740 |
| 36 | 0.70 | 1.10 | 1.51 | 1.91 | 2.31 | 2.72 | 3.12 | 3.53 | 3.93 | 4.33 | 4.74 | 5.14 | 5.54 | 5.95 | 6.35 | 6.75 | 7.16 | 7.56 | 7.97 |
| 1219 | 0.091 | 0.144 | 0.196 | 0.249 | 0.301 | 0.354 | 0.406 | 0.459 | 0.511 | 0.563 | 0.616 | 0.668 | 0.721 | 0.774 | 0.826 | 0.879 | 0.931 | 0.984 | 1.036 |
| 48 | 0.98 | 1.55 | 2.11 | 2.68 | 3.24 | 3.81 | 4.37 | 4.94 | 5.50 | 6.06 | 6.63 | 7.20 | 7.76 | 8.33 | 8.89 | 9.46 | 10.02 | 10.59 | 11.15 |
| 1524 | 0.117 | 0.185 | 0.252 | 0.320 | 0.387 | 0.455 | 0.522 | 0.590 | 0.657 | 0.724 | 0.792 | 0.859 | 0.927 | 0.995 | 1.062 | 1.130 | 1.197 | 1.265 | 1.332 |
| 60 | 1.26 | 1.99 | 2.72 | 3.44 | 4.17 | 4.89 | 5.62 | 6.35 | 7.07 | 7.80 | 8.53 | 9.25 | 9.98 | 10.71 | 11.43 | 12.16 | 12.88 | 13.61 | 14.34 |
| 1829 | 0.143 | 0.226 | 0.308 | 0.391 | 0.473 | 0.556 | 0.638 | 0.721 | 0.803 | 0.885 | 0.968 | 1.050 | 1.133 | 1.216 | 1.298 | 1.381 | 1.463 | 1.546 | 1.628 |
| 72 | 1.54 | 2.43 | 3.32 | 4.21 | 5.09 | 5.98 | 6.87 | 7.76 | 8.65 | 9.53 | 10.42 | 11.31 | 12.20 | 13.08 | 13.97 | 14.86 | 15.75 | 16.64 | 17.52 |
| 2134 | 0.156 | 0.246 | 0.337 | 0.426 | 0.516 | 0.606 | 0.696 | 0.786 | 0.876 | 0.966 | 1.056 | 1.146 | 1.236 | 1.326 | 1.416 | 1.506 | 1.596 | 1.686 | 1.776 |
| 84 | 1.68 | 2.65 | 3.62 | 4.59 | 5.55 | 6.53 | 7.49 | 8.46 | 9.43 | 10.40 | 11.37 | 12.34 | 13.31 | 14.27 | 15.24 | 16.21 | 17.18 | 18.15 | 19.12 |
| 2438 | 0.183 | 0.287 | 0.393 | 0.497 | 0.602 | 0.707 | 0.812 | 0.917 | 1.022 | 1.127 | 1.232 | 1.337 | 1.442 | 1.547 | 1.652 | 1.757 | 1.862 | 1.967 | 2.072 |
| 96 | 1.96 | 3.09 | 4.23 | 5.35 | 6.48 | 7.61 | 8.74 | 9.88 | 11.00 | 12.13 | 13.26 | 14.39 | 15.53 | 16.65 | 17.78 | 18.91 | 20.04 | 21.18 | 22.30 |
| 2743 | 0.209 | 0.328 | 0.449 | 0.568 | 0.688 | 0.808 | 0.928 | 1.049 | 1.168 | 1.288 | 1.408 | 1.528 | 1.648 | 1.768 | 1.888 | 2.008 | 2.128 | 2.248 | 2.368 |
| 108 | 2.25 | 3.53 | 4.83 | 6.12 | 7.41 | 8.70 | 9.99 | 11.29 | 12.57 | 13.86 | 15.16 | 16.45 | 17.74 | 19.03 | 20.32 | 21.62 | 22.90 | 24.20 | 25.49 |
| 3048 | 0.235 | 0.369 | 0.505 | 0.639 | 0.774 | 0.910 | 1.044 | 1.180 | 1.314 | 1.449 | 1.584 | 1.719 | 1.854 | 1.989 | 2.124 | 2.259 | 2.394 | 2.529 | 2.664 |
| 120 | 2.53 | 3.98 | 5.43 | 6.88 | 8.33 | 9.79 | 11.24 | 12.70 | 14.15 | 15.60 | 17.05 | 18.50 | 19.96 | 21.41 | 22.86 | 24.32 | 25.77 | 27.23 | 28.67 |

LOUVER HEIGHT in mm (Inches)

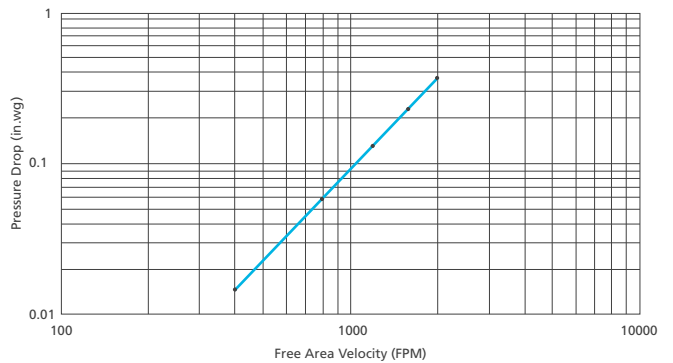
Free Area is in Sq.meter and Sq.ft.

Pressure Drop Vs Free Area Velocity (Intake)



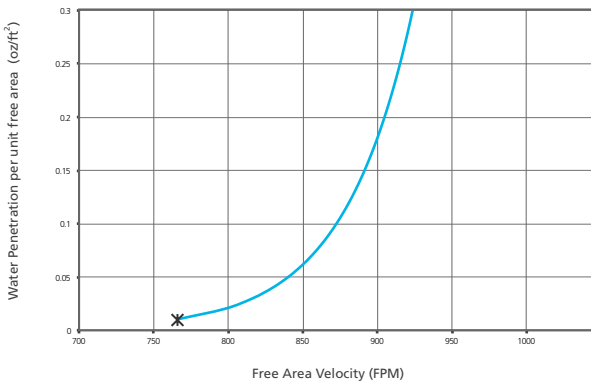
In accordance with ANSI/AMCA 500-L standard, Figure 5.5.

Pressure Drop Vs Free Area Velocity (Exhaust)



In accordance with ANSI/AMCA 500-L standard, Figure 5.5.

Water Penetration of ACL - 150



Beginning of water penetration per AMCA publication 511 section 8.3.2 based on measured free area is 766fpm



Century Mechanical Systems Factory LLC certifies that the Model: ACL-300 shown herein is Licensed to bear the AMCA Seal. The ratings shown are based on tests and procedures performed in accordance with AMCA Publication 511 and comply with the requirements of the AMCA Certified Ratings Program. The Certified Ratings Seal applies to water penetration, air performance and sound ratings only

ACOUSTIC LOUVERS

Model: ACL-300

Acoustic louvers are used in Air intake and exhaust applications with the dual function of weather protection and airborne sound reduction. Suitable for commercial and industrial applications.

Constructional Details

Frame

Frame is made of 0.90mm thickness galvanized steel sheet.

Blades

Double wall galvanized steel blade filled with acoustic infill. Top of the blade is made of 0.90mm galvanized steel sheet and the bottom is from 0.70mm galvanized steel perforated sheet.

Infill

64kg/m³ density sound absorbing Rockwool insulation with Black Glass Tissue Facing to avoid the erosion of fiber particles in high airway velocities

Screen

12.5 x 12.5mm galvanized steel bird screen

Mounting

Vertical

Finish

Factory mill finish

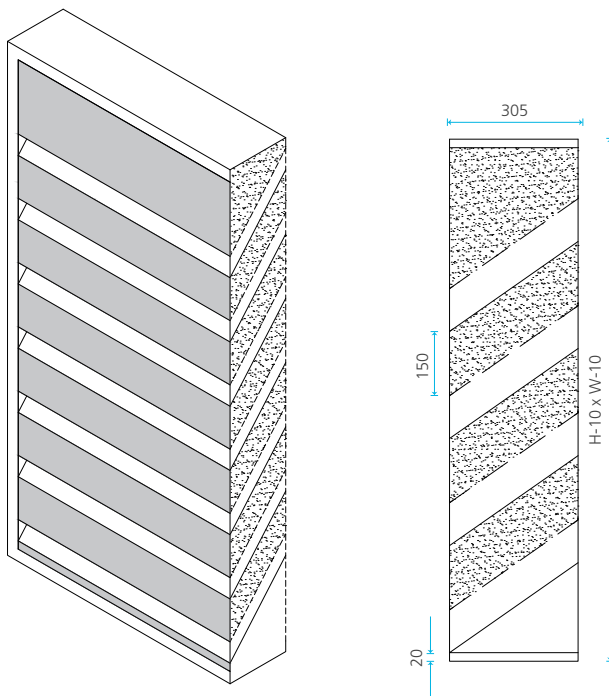
Minimum single section

300 x 350mm

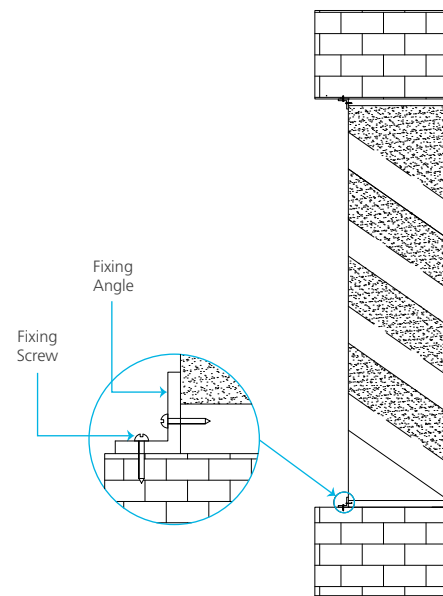
Maximum single section

1500 x 3000mm (larger sizes are manufactured in multiple pieces for assembling at site)

Dimensional Details



Installation Details



Acoustic Performance

| Frequency (Hz) | 125 | 250 | 500 | 1000 | 2000 | 4000 | STC |
|---------------------------------|-----|-----|-----|------|------|------|-----|
| Transmission Loss (dB) | 5 | 7 | 10 | 12 | 13 | 11 | 11 |
| Free Field Noise Reduction (dB) | 11 | 13 | 16 | 18 | 19 | 17 | |

● Free Field Noise Reduction = Transmission Loss + 6 dB ● STC - Sound Transmission Coefficient

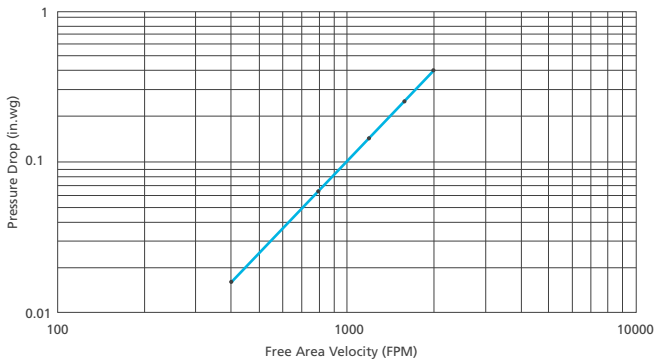
Tested in accordance with ASTM E90-2004 standard

LOUVER WIDTH in mm (Inches)

| | LOUVER WIDTH in mm (Inches) | | | | | | | | | | | | | | | | | | |
|------|-----------------------------|-------|-------|-------|-------|-------|-------|-------|-------|-------|-------|-------|-------|-------|-------|-------|-------|-------|-------|
| | 305 | 457 | 610 | 762 | 914 | 1067 | 1219 | 1372 | 1524 | 1676 | 1829 | 1981 | 2134 | 2286 | 2438 | 2591 | 2743 | 2896 | 3048 |
| | 12 | 18 | 24 | 30 | 36 | 42 | 48 | 54 | 60 | 66 | 72 | 78 | 84 | 90 | 96 | 102 | 108 | 114 | 120 |
| 356 | 0.024 | 0.038 | 0.051 | 0.065 | 0.079 | 0.093 | 0.106 | 0.120 | 0.134 | 0.148 | 0.161 | 0.175 | 0.189 | 0.203 | 0.216 | 0.230 | 0.244 | 0.258 | 0.271 |
| 14 | 0.26 | 0.40 | 0.55 | 0.70 | 0.85 | 1.00 | 1.14 | 1.29 | 1.44 | 1.59 | 1.74 | 1.88 | 2.03 | 2.18 | 2.33 | 2.48 | 2.62 | 2.77 | 2.92 |
| 610 | 0.048 | 0.076 | 0.104 | 0.131 | 0.159 | 0.187 | 0.215 | 0.242 | 0.270 | 0.298 | 0.325 | 0.353 | 0.381 | 0.409 | 0.436 | 0.464 | 0.492 | 0.520 | 0.547 |
| 24 | 0.52 | 0.82 | 1.12 | 1.41 | 1.71 | 2.01 | 2.31 | 2.61 | 2.91 | 3.20 | 3.50 | 3.80 | 4.10 | 4.40 | 4.70 | 5.00 | 5.29 | 5.59 | 5.89 |
| 914 | 0.072 | 0.113 | 0.154 | 0.195 | 0.237 | 0.278 | 0.319 | 0.360 | 0.402 | 0.443 | 0.484 | 0.525 | 0.567 | 0.608 | 0.649 | 0.690 | 0.731 | 0.773 | 0.814 |
| 36 | 0.77 | 1.21 | 1.66 | 2.10 | 2.55 | 2.99 | 3.43 | 3.88 | 4.32 | 4.77 | 5.21 | 5.65 | 6.10 | 6.54 | 6.98 | 7.43 | 7.87 | 8.32 | 8.76 |
| 1219 | 0.096 | 0.150 | 0.206 | 0.260 | 0.315 | 0.371 | 0.425 | 0.481 | 0.535 | 0.590 | 0.645 | 0.700 | 0.756 | 0.810 | 0.865 | 0.920 | 0.975 | 1.030 | 1.085 |
| 48 | 1.03 | 1.62 | 2.21 | 2.80 | 3.39 | 3.99 | 4.58 | 5.17 | 5.76 | 6.35 | 6.95 | 7.54 | 8.13 | 8.72 | 9.31 | 9.91 | 10.50 | 11.09 | 11.68 |
| 1524 | 0.120 | 0.188 | 0.257 | 0.326 | 0.394 | 0.463 | 0.532 | 0.601 | 0.669 | 0.738 | 0.807 | 0.875 | 0.944 | 1.013 | 1.081 | 1.151 | 1.219 | 1.288 | 1.357 |
| 60 | 1.29 | 2.02 | 2.77 | 3.50 | 4.24 | 4.99 | 5.72 | 6.47 | 7.20 | 7.94 | 8.68 | 9.42 | 10.17 | 10.90 | 11.64 | 12.38 | 13.12 | 13.86 | 14.60 |
| 1829 | 0.143 | 0.226 | 0.308 | 0.391 | 0.473 | 0.556 | 0.638 | 0.721 | 0.803 | 0.885 | 0.968 | 1.050 | 1.133 | 1.216 | 1.298 | 1.381 | 1.463 | 1.546 | 1.628 |
| 72 | 1.54 | 2.43 | 3.32 | 4.21 | 5.09 | 5.98 | 6.87 | 7.76 | 8.65 | 9.53 | 10.42 | 11.31 | 12.20 | 13.08 | 13.97 | 14.86 | 15.75 | 16.64 | 17.52 |
| 2134 | 0.167 | 0.263 | 0.360 | 0.456 | 0.552 | 0.648 | 0.744 | 0.841 | 0.937 | 1.033 | 1.130 | 1.226 | 1.322 | 1.418 | 1.514 | 1.611 | 1.707 | 1.803 | 1.899 |
| 84 | 1.80 | 2.83 | 3.87 | 4.91 | 5.94 | 6.98 | 8.01 | 9.05 | 10.09 | 11.12 | 12.16 | 13.19 | 14.23 | 15.26 | 16.30 | 17.34 | 18.37 | 19.41 | 20.44 |
| 2438 | 0.191 | 0.301 | 0.411 | 0.521 | 0.631 | 0.741 | 0.851 | 0.961 | 1.071 | 1.181 | 1.291 | 1.401 | 1.511 | 1.621 | 1.730 | 1.841 | 1.950 | 2.061 | 2.171 |
| 96 | 2.06 | 3.24 | 4.43 | 5.61 | 6.79 | 7.98 | 9.16 | 10.35 | 11.53 | 12.71 | 13.90 | 15.08 | 16.26 | 17.45 | 18.63 | 19.81 | 21.00 | 22.18 | 23.36 |
| 2743 | 0.229 | 0.360 | 0.492 | 0.623 | 0.754 | 0.886 | 1.017 | 1.149 | 1.280 | 1.412 | 1.544 | 1.675 | 1.807 | 1.938 | 2.069 | 2.201 | 2.332 | 2.464 | 2.595 |
| 108 | 2.46 | 3.87 | 5.29 | 6.71 | 8.12 | 9.54 | 10.95 | 12.37 | 13.78 | 15.19 | 16.61 | 18.03 | 19.45 | 20.86 | 22.27 | 23.69 | 25.10 | 26.52 | 27.94 |
| 3048 | 0.254 | 0.400 | 0.547 | 0.693 | 0.839 | 0.986 | 1.132 | 1.279 | 1.425 | 1.571 | 1.718 | 1.864 | 2.011 | 2.157 | 2.302 | 2.449 | 2.595 | 2.742 | 2.888 |
| 120 | 2.74 | 4.31 | 5.89 | 7.46 | 9.03 | 10.61 | 12.19 | 13.77 | 15.34 | 16.91 | 18.49 | 20.06 | 21.64 | 23.21 | 24.78 | 26.36 | 27.94 | 29.52 | 31.09 |

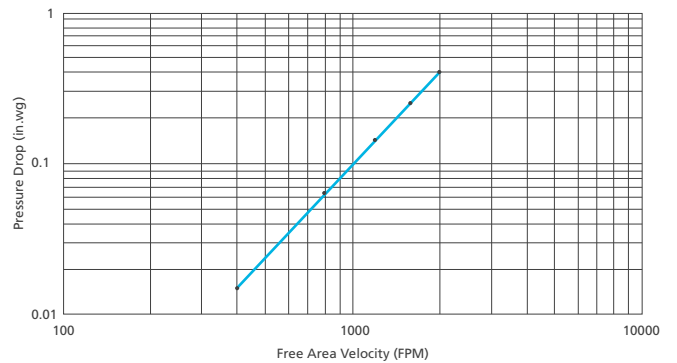
Free Area is in Sqr.meter and Sqr.ft.

Pressure Drop Vs Free Area Velocity (Intake)



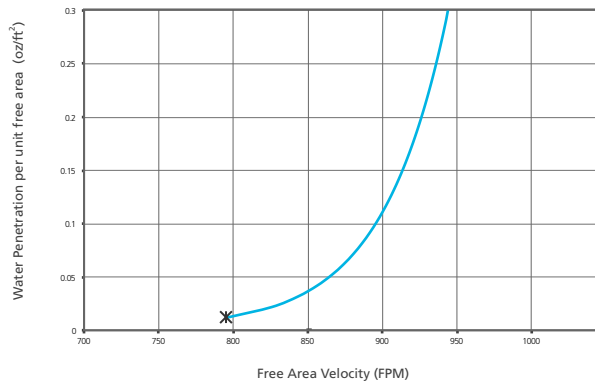
Tested in accordance with ANSI/AMCA 500-L, Figure 5.5. Test sample size is 48" x 48"

Pressure Drop Vs Free Area Velocity (Exhaust)



Tested in accordance with ANSI/AMCA 500-L, Figure 5.5. Test sample size is 48" x 48"

Water Penetration of ACL - 300



Beginning of water penetration per AMCA publication 511 section 8.3.2 based on AMCA measured free area is 791.6fpm



Century Mechanical Systems Factory LLC certifies that the Model: ACL-300 shown herein is Licensed to bear the AMCA Seal. The ratings shown are based on tests and procedures performed in accordance with AMCA Publication 511 and comply with the requirements of the AMCA Certified Ratings Program. The Certified Ratings Seal applies to water penetration, air performance and sound ratings only

ACOUSTIC LOUVERS

Model: ACL-600

Acoustic louvers are used in Air intake and exhaust applications with the dual function of weather protection and airborne sound reduction. Suitable for commercial and industrial applications.

Constructional Details

Frame

Frame is made of 0.90mm thickness galvanized steel sheet.

Blades

Double wall galvanized steel blade filled with acoustic infill. Top of the blade is made of 0.90mm galvanized steel sheet and the bottom is from 0.70mm galvanized steel perforated sheet.

Infill

64kg/m³ density sound absorbing Rockwool insulation with Black Glass Tissue Facing to avoid the erosion of fiber particles in high airway velocities.

Screen

12.5 x 12.5mm galvanized steel bird screen

Mounting

Vertical

Finish

Factory mill finish

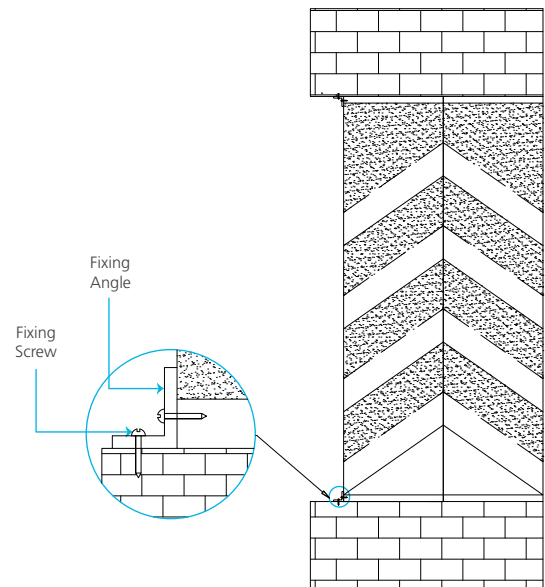
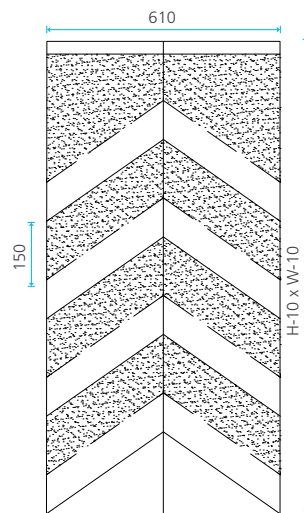
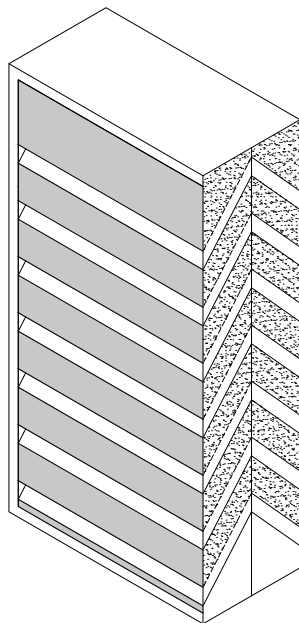
Minimum single section

300 x 350mm

Maximum single section

1500 x 3000mm (larger sizes are manufactured in multiple pieces for assembling at site)

Dimensional Details



Installation Details

Acoustic Performance

| Frequency (Hz) | 125 | 250 | 500 | 1000 | 2000 | 4000 | STC |
|---------------------------------|-----|-----|-----|------|------|------|-----|
| Transmission Loss (dB) | 7 | 12 | 19 | 22 | 23 | 21 | 20 |
| Free Field Noise Reduction (dB) | 13 | 18 | 25 | 28 | 29 | 27 | |

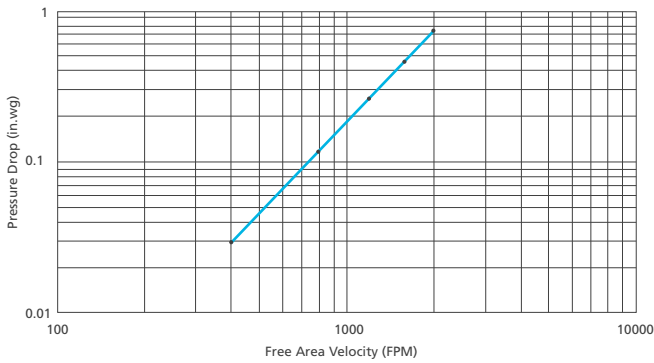
● Free Field Noise Reduction = Transmission Loss + 6 dB ● STC - Sound Transmission Coefficient

LOUVER WIDTH in mm (Inches)

| LOUVER HEIGHT in mm (Inches) | LOUVER WIDTH in mm (Inches) | | | | | | | | | | | | | | | | | | |
|------------------------------|-----------------------------|-----------|-----------|-----------|-----------|------------|------------|------------|------------|------------|------------|------------|------------|------------|------------|-------------|-------------|-------------|-------------|
| | 305 12 | 457 18 | 610 24 | 762 30 | 914 36 | 1067 42 | 1219 48 | 1372 54 | 1524 60 | 1676 66 | 1829 72 | 1981 78 | 2134 84 | 2286 90 | 2438 96 | 2591 102 | 2743 108 | 2896 114 | 3048 120 |
| 356 | 0.023 | 0.036 | 0.050 | 0.063 | 0.076 | 0.090 | 0.103 | 0.117 | 0.130 | 0.143 | 0.157 | 0.170 | 0.183 | 0.197 | 0.210 | 0.223 | 0.236 | 0.250 | 0.263 |
| 14 | 0.25 | 0.39 | 0.54 | 0.68 | 0.82 | 0.97 | 1.11 | 1.25 | 1.40 | 1.54 | 1.68 | 1.83 | 1.97 | 2.12 | 2.26 | 2.40 | 2.55 | 2.69 | 2.83 |
| 610 | 0.047 | 0.074 | 0.101 | 0.127 | 0.154 | 0.181 | 0.208 | 0.235 | 0.262 | 0.289 | 0.316 | 0.343 | 0.370 | 0.396 | 0.423 | 0.450 | 0.477 | 0.504 | 0.531 |
| 24 | 0.50 | 0.79 | 1.08 | 1.37 | 1.66 | 1.95 | 2.24 | 2.53 | 2.82 | 3.11 | 3.40 | 3.69 | 3.98 | 4.27 | 4.56 | 4.85 | 5.13 | 5.43 | 5.71 |
| 914 | 0.070 | 0.109 | 0.150 | 0.190 | 0.229 | 0.270 | 0.309 | 0.350 | 0.390 | 0.429 | 0.470 | 0.509 | 0.550 | 0.590 | 0.629 | 0.670 | 0.709 | 0.750 | 0.790 |
| 36 | 0.75 | 1.18 | 1.61 | 2.04 | 2.47 | 2.90 | 3.33 | 3.76 | 4.19 | 4.62 | 5.05 | 5.48 | 5.92 | 6.35 | 6.78 | 7.21 | 7.64 | 8.07 | 8.50 |
| 1219 | 0.093 | 0.146 | 0.199 | 0.253 | 0.306 | 0.359 | 0.413 | 0.466 | 0.519 | 0.573 | 0.626 | 0.679 | 0.733 | 0.786 | 0.839 | 0.893 | 0.946 | 1.000 | 1.053 |
| 48 | 1.00 | 1.57 | 2.15 | 2.72 | 3.29 | 3.87 | 4.44 | 5.02 | 5.59 | 6.16 | 6.74 | 7.31 | 7.89 | 8.46 | 9.03 | 9.61 | 10.18 | 10.76 | 11.33 |
| 1524 | 0.116 | 0.182 | 0.249 | 0.316 | 0.382 | 0.449 | 0.516 | 0.583 | 0.649 | 0.716 | 0.783 | 0.849 | 0.916 | 0.983 | 1.049 | 1.116 | 1.182 | 1.249 | 1.316 |
| 60 | 1.25 | 1.96 | 2.68 | 3.40 | 4.12 | 4.84 | 5.55 | 6.27 | 6.99 | 7.70 | 8.42 | 9.14 | 9.86 | 10.58 | 11.29 | 12.01 | 12.73 | 13.45 | 14.16 |
| 1829 | 0.139 | 0.219 | 0.299 | 0.379 | 0.459 | 0.539 | 0.619 | 0.699 | 0.779 | 0.859 | 0.939 | 1.019 | 1.099 | 1.179 | 1.259 | 1.339 | 1.419 | 1.499 | 1.579 |
| 72 | 1.50 | 2.36 | 3.22 | 4.08 | 4.94 | 5.80 | 6.66 | 7.53 | 8.39 | 9.24 | 10.11 | 10.97 | 11.83 | 12.69 | 13.55 | 14.41 | 15.27 | 16.14 | 17.00 |
| 2134 | 0.162 | 0.255 | 0.349 | 0.442 | 0.535 | 0.629 | 0.722 | 0.816 | 0.909 | 1.002 | 1.096 | 1.189 | 1.282 | 1.376 | 1.469 | 1.562 | 1.655 | 1.749 | 1.842 |
| 84 | 1.75 | 2.75 | 3.76 | 4.76 | 5.76 | 6.77 | 7.77 | 8.78 | 9.78 | 10.79 | 11.79 | 12.80 | 13.80 | 14.81 | 15.81 | 16.82 | 17.82 | 18.83 | 19.83 |
| 2438 | 0.185 | 0.292 | 0.399 | 0.505 | 0.612 | 0.719 | 0.825 | 0.932 | 1.039 | 1.145 | 1.252 | 1.359 | 1.466 | 1.572 | 1.678 | 1.786 | 1.892 | 1.999 | 2.105 |
| 96 | 2.00 | 3.14 | 4.29 | 5.44 | 6.58 | 7.74 | 8.88 | 10.04 | 11.18 | 12.33 | 13.48 | 14.62 | 15.78 | 16.92 | 18.07 | 19.22 | 20.37 | 21.52 | 22.66 |
| 2743 | 0.222 | 0.349 | 0.477 | 0.604 | 0.731 | 0.860 | 0.987 | 1.115 | 1.242 | 1.369 | 1.497 | 1.624 | 1.752 | 1.880 | 2.007 | 2.135 | 2.262 | 2.390 | 2.517 |
| 108 | 2.39 | 3.76 | 5.13 | 6.50 | 7.87 | 9.25 | 10.62 | 12.00 | 13.37 | 14.74 | 16.12 | 17.49 | 18.86 | 20.23 | 21.60 | 22.98 | 24.35 | 25.73 | 27.10 |
| 3048 | 0.247 | 0.388 | 0.531 | 0.672 | 0.814 | 0.956 | 1.098 | 1.241 | 1.382 | 1.524 | 1.666 | 1.808 | 1.950 | 2.092 | 2.233 | 2.376 | 2.517 | 2.660 | 2.801 |
| 120 | 2.66 | 4.18 | 5.71 | 7.24 | 8.76 | 10.30 | 11.82 | 13.35 | 14.88 | 16.40 | 17.93 | 19.46 | 20.99 | 22.52 | 24.04 | 25.57 | 27.10 | 28.63 | 30.16 |

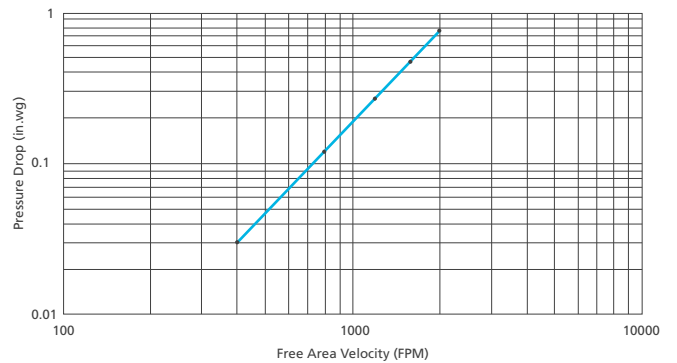
Free Area is in Sqr.meter and Sqr.ft.

Pressure Drop Vs Free Area Velocity (Intake)



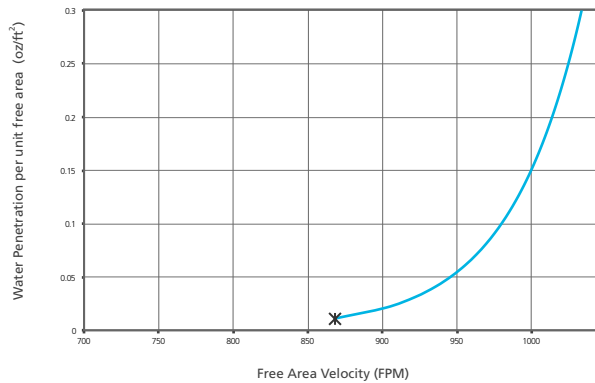
In accordance with ANSI/AMCA 500-L standard, Figure 5.5.

Pressure Drop Vs Free Area Velocity (Exhaust)



In accordance with ANSI/AMCA 500-L standard, Figure 5.5.

Water Penetration of ACL-600



Beginning of water penetration per AMCA publication 511 section 8.3.2 based on measured free area is 868fpm



Century Mechanical Systems Factory LLC certifies that the Model: ACL-300 shown herein is Licensed to bear the AMCA Seal. The ratings shown are based on tests and procedures performed in accordance with AMCA Publication 511 and comply with the requirements of the AMCA Certified Ratings Program. The Certified Ratings Seal applies to water penetration, air performance and sound ratings only

Ordering Requisites | Acoustic Louvers

| | | | |
|--------------------|-----------------------------|---------|------------|
| 1. Type | Acoustic Louver 150mm | ●—————● | ACL-150 |
| | Acoustic Louver 300mm | ●—————● | ACL-300 |
| | Acoustic Louver 600mm | ●—————● | ACL-600 |
| 2. Size | Face Width | ●—————● | in mm |
| | Face Height | ●—————● | in mm |
| 3. Bird Screen | Galvanized bird screen | ●—————● | GI |
| | Aluminum bird screen | ●—————● | AL |
| | Stainless steel bird screen | ●—————● | SS |
| 4. Number of Units | | ●—————● | In numbers |

Note: The photos shown are only for illustration purpose. The actual product may vary. Please contact the technical/sales department for more information. As a part of continuous improvement, CMS reserve the right to make technical modifications without prior notice.

EXCELAIR

Products from



An ISO Certified Company

Tel: +971 4 3474858, Fax : +971 4 3474656, P.O. Box: 60270
Dubai, United Arab Emirates, E mail: info@msglobal.com | msglobal.com

