

CENTREX

Centrifugal Inline Fan

TECHNICAL SPECIFICATIONS



PENNBARRY™

BULLETIN SX18

TABLE OF CONTENTS

INTRODUCTION	3
CERTIFICATIONS & LISTINGS	4
FILTER OPTIONS	5
SX085, SX095 & SX115 DIRECT DRIVE	6
CENTREX INLINER DIRECT DRIVE	7
CENTREX INLINER BELT DRIVE	8
SX100BC BELT DRIVE	9-10
SX120BC BELT DRIVE	11-12
SX125BC BELT DRIVE	13-14
SX125BHC BELT DRIVE	15-16
SX155BC BELT DRIVE	17
SX165BC BELT DRIVE	18-19
SX205BC BELT DRIVE	20-21
SX205BHC BELT DRIVE	22-23
SX225BC BELT DRIVE	24-25
SX225BHC BELT DRIVE	26-27
SX275BC BELT DRIVE	28-29
SX335BC BELT DRIVE	30-31
SX420BC BELT DRIVE	32-33

INTRODUCTION

Centrex Inliner

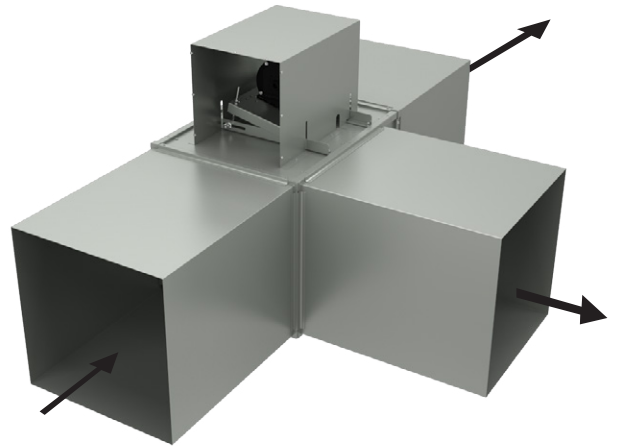
Centrex Inliner fans are widely used in square ducts as clean air boosters in both supply and exhaust systems where the installation of conventional blowers is impractical. Their compact design gives designers an excellent alternative to conventional blowers.

As an integral part of a ventilation system layout, Centrex Inliner fans can be installed either horizontally, vertically or at any angle determined by the duct work. Full-size removable panels enable easy access to the fan interior. Direct-drive motors are isolated from the airstream. Belt drive motors are mounted on the outside housing and can be positioned at any angle to avoid existing building obstructions. Optional motor covers are available as belt guards.

Centrex Inliner fans feature durable galvanized steel construction (aluminum is optional for selected belt drive models), which works in conjunction with a patented wheel design and deeply spun inlets to provide smoother flow through the ventilator. The centrifugal wheels are aluminum, non-overloading, backwardly inclined, robotically welded, and dynamically balanced.



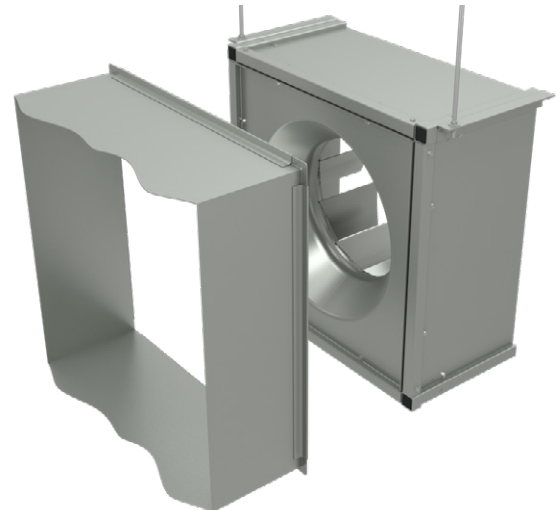
Centrex Belt Drive



Side Duct Illustration



Centrex Direct Drive



Mounting Frame Illustration

Direct Drive Units

- Static pressure up to 2.5" wg.
- Flow capacity up to 4,620 CFM

Standard Duty Belt Drive Units

- Static pressure up to 2.5" wg.
- Flow capacity up to 27,502 CFM.

High Pressure Belt Drive Units

- Static pressure up to 3.5" wg.
- Flow capacity up to 9,249 CFM

CERTIFICATIONS & LISTINGS



Centrex AMCA Certifications

PennBarry certifies that the Centrex Inliner models shown herein (except model SX420) are licensed to bear the AMCA seal. The ratings shown are based on tests and procedures performed in accordance with AMCA publications 211 and 311, and comply with the requirements of the AMCA Certified Ratings Program.



cULus Certification

Centrex Inliner fans carry the UL label, UL705 (ZACT/ZACT7), file #E28413.



WARNING

To fulfill our obligations towards Article 33, in accordance to European REACH Regulation No 1907/2006 EC, we hereby inform you that this article contains the following Substances of Very High Concern mentioned on the Candidate list:

- Lead

FILTER OPTIONS

Pressure Drop

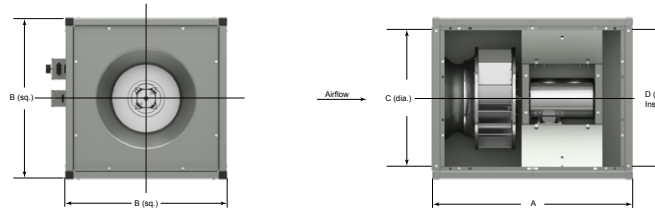
Please note that the performance shown in the tables on the following pages does not include the effects of accessories when installed on the fan.

If filters are desired on the fan, take the following pressure drops into account when selecting a unit:

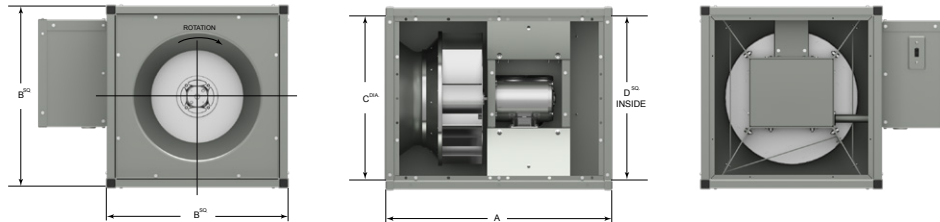
Model	Aluminum Washable Rated at 350 FPM		Pleated Rated at 500 FPM	
	1"	2"	1"	2"
SX085	0.023	0.036	0.24	0.22
SX095 SX100BC	0.011	0.016	0.24	0.22
SX115	0.015	0.024	0.24	0.22
SX120BC SX125BC	0.009	0.013	0.24	0.22
SX155BC SX165BC	0.01	0.016	0.24	0.22
SX205BC	0.009	0.013	0.24	0.22
SX225BC	0.01	0.016	0.24	0.22
SX275BC	0.012	0.019	0.24	0.22
SX335BC	0.013	0.02	0.24	0.22
SX420BC	0.015	0.024	0.24	0.22

CENTREX INLINE FAN | DIRECT DRIVE

SX85 - 125H



SX120 - SX165



Direct Drive Dimensions

Model	A	B	C	D
SX085	16 1/8	15 3/4	11 3/4	13 3/4
SX095	24 1/8	15 3/4	11 3/4	13 3/4
SX115	27 1/4	21 3/4	14 1/2	19 3/4
SX-120	27.22	22.00	19.50	18.4
SX-125H	27.22	22.00	19.50	18.54
SX-125	27.22	22.00	19.50	18.54
SX-155	33.00	28.00	25.63	24.54
SX-165	33.00	28.00	25.63	24.54

All dimensions in inches

Direct Drive Performance

Fan Model	Nominal			Tip	0.125		0.250		0.375		0.500		0.625		0.750		1.000		1.250		1.500		1.750		2		
	HP	P Max Watts	RPM		CFM	Sones	CFM	Sones	CFM	Sones	CFM	Sones	CFM	Sones	CFM	Sones	CFM	Sones	CFM	Sones	CFM	Sones	CFM	Sones	CFM	Sones	CFM
SX085V	1/6	-(1)	1050	2715	386	3.5	275	3.4	146	3.4	-	-	-	-	-	-	-	-	-	-	-	-	-	-	-	-	-
SX085S	1/6	-(1)	1300	3361	519	5.4	439	5.5	347	5.4	249	5.4	128	5.4	-	-	-	-	-	-	-	-	-	-	-	-	-
SX085R	1/6	158	1550	4007	641	7.8	583	7.7	513	7.7	435	7.6	354	7.7	269	7.7	-	-	-	-	-	-	-	-	-	-	-
SX085Q	1/4	-(1)	1725	4460	647	9.4	592	9.3	520	9.1	441	8.9	360	8.9	276	8.9	-	-	-	-	-	-	-	-	-	-	-
SX095V	1/20(4)	125	1050	3221	429	2.7	308	3.2	247	3.8	199	4.2	157	4.7	118	5.1	-	-	-	-	-	-	-	-	-	-	-
SX095S	1/12(4)	164	1300	3988	633	5	528	4.8	433	5.2	366	5.6	314	5.9	260	6.3	152	7	-	-	-	-	-	-	-	-	-
SX095R	1/6(5)	212	1550	4755	849	7.9	775	7.5	698	7.4	616	7.5	546	7.7	476	7.9	333	8.3	162	8.8	-	-	-	-	-	-	-
SX095Q	1/4(5)	338	1725	5292	1111	10.6	1061	10.1	1011	10	960	10	907	10	851	10.6	728	13	556	12.2	200	10.8	-	-	-	-	-
SX115V	1/2(4)	437	1050	3788	1299	5.4	1061	5.6	876	5.8	754	5.9	663	6.1	595	6.3	461	6.9	335	7.5	192	8.2	-	-	-	-	-
SX115S	1/2(6)	494	1300	4690	1566	6.9	1382	6.8	1201	6.7	1041	6.7	922	6.6	830	6.9	655	7.5	487	8	305	8.7	103	9.5	-	-	-
SX115R	1/2	501	1550	5681	1756	15.2	1642	14.1	1530	12.4	1414	11.3	1288	11.3	1160	11.3	904	11.3	631	11.3	-	-	-	-	-	-	-
SX115Q1	1/2	701	1650	5953	2216	12.1	2133	11.6	2042	11.4	1952	11.3	1863	11.1	1755	11	1512	10.6	1220	10.2	873	10.6	491	11.1	-	-	-
SX115Q2	3/4	894	1725	6223	2764	15.2	2673	14	2571	13.8	2476	13.7	2383	13.5	2285	13.3	2075	13	1823	12.6	1447	12.1	956	12.3	-	-	-
SX120S	0.5	NA	1300	4775.2	2172	9.7	2069	9.6	1960	9.4	1838	9.2	1695	8.9	1520	8.8	830	8.8	-	-	-	-	-	-	-	-	-
SX125R	1	NA	1475	6130.2	3320	14.9	3192	14.8	3040	14.8	2885	14.7	2738	14.7	2593	14.6	2300	14.9	1940	15.1	1120	15.1	-	-	-	-	-
SX125K	1.5	NA	1625	6753.6	3678	16.8	3570	16.8	3439	16.7	3300	16.7	3160	16.6	3025	16.5	2765	16.3	2493	17.1	2166	17.5	1588	17.5	-	-	-
SX125HS	0.5	NA	1250	5195.1	2248	12.2	2122	12.1	1995	12	1863	11.9	1718	11.7	1150	11.6	1020	11.6	-	-	-	-	-	-	-	-	-
SX125HR	0.75	NA	1500	6234.1	2744	14.9	2638	14.9	2533	14.9	2429	14.9	2320	14.9	2208	14.9	1954	15	1618	15	1048	15	-	-	-	-	-
SX155T	1	NA	1200	5851	3292	13.5	3176	13.2	3059	12.9	2932	12.7	2804	12.2	2660	11.7	2323	10.9	1903	10.1	-	-	-	-	-	-	-
SX155R	2	NA	1550	7558	4312	20.7	4222	20.4	4133	20.1	4043	19.8	3952	19.5	3853	19.3	3656	18.6	3437	17.8	3185	17.1	2903	16.4	2594	15.6	-
SX165T	1.5	NA	1225	7696.9	4620	18.5	4483	18.3	4348	18.1	4215	17.8	4080	17.3	3935	16.8	3610	16.2	3180	15.8	2440	15.8	-	-	-	-	-

(1) Available on EC Motor only.

(2) HP = 1/2 for TE motors.

(3) Performances in 50Hz applications will be less than shown below; consult with local PennBarry representative.

(4) HP = 1/6 for EC TE motors. HP = 1/3 for EC ODP motors.

(5) HP = 1/3 for EC ODP motors

(6) HP =1/3 for EC motors

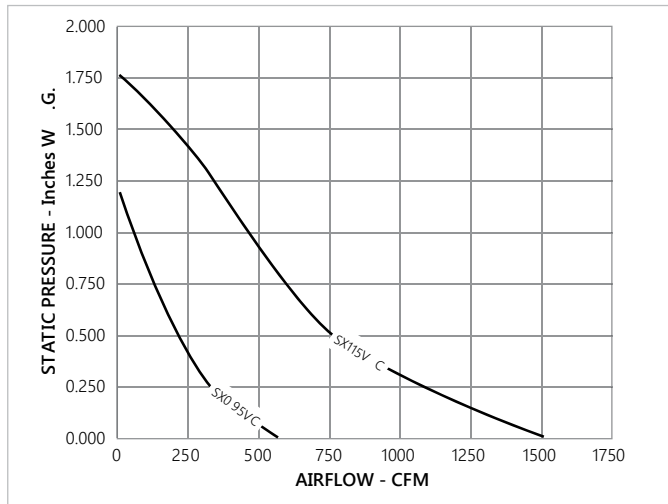
Performance certified is for installation type B – Free inlet, Ducted outlet. Speed (RPM) shown is nominal. Performance is based on actual speed of test. The sound ratings shown are loudness values in fan sones at 1.5 m (5 ft) in a hemispherical free field calculated per AMCA International Standard 301. Values shown are for Installation type B: free inlet hemispherical sone levels. Performance ratings do not include the effects of appurtenances.

CENTREX INLINE FAN | DIRECT DRIVE

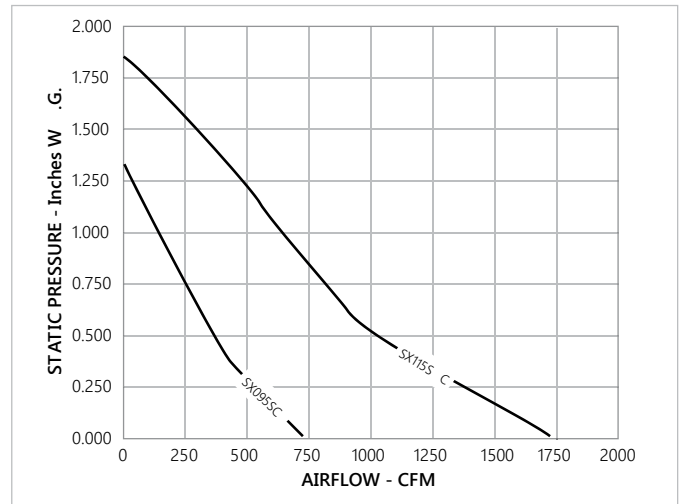
PSC Motor offering Fan Curves

The fan curves illustrated here show the range of capacities available for direct drive units. Each graph shows the performance of several models at one particular nominal speed. Fan curves provide a quick method for selection of a fan unit based on design point requirements. The direct drive performance chart on the previous page provides the tabular data (CFM and static pressure) used to plot the fan curves. In addition, horsepower, tip speed and sones are tabulated. Since sound is normally an important factor in the selection of a fan, an engineer will usually want to select the "slowest" unit which meets CFM and SP requirements.

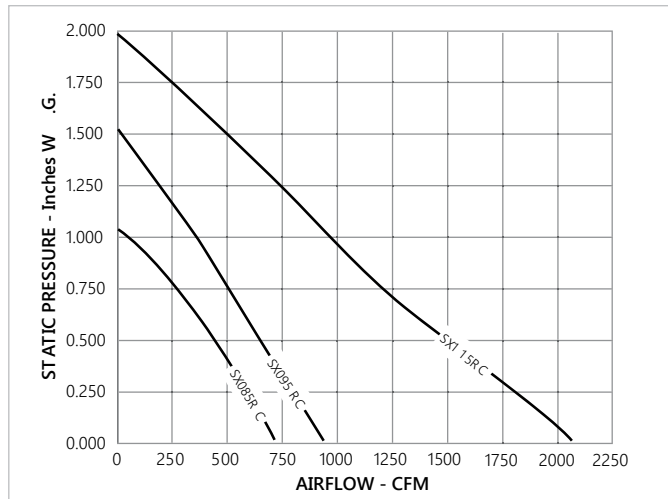
Nominal 1050 RPM



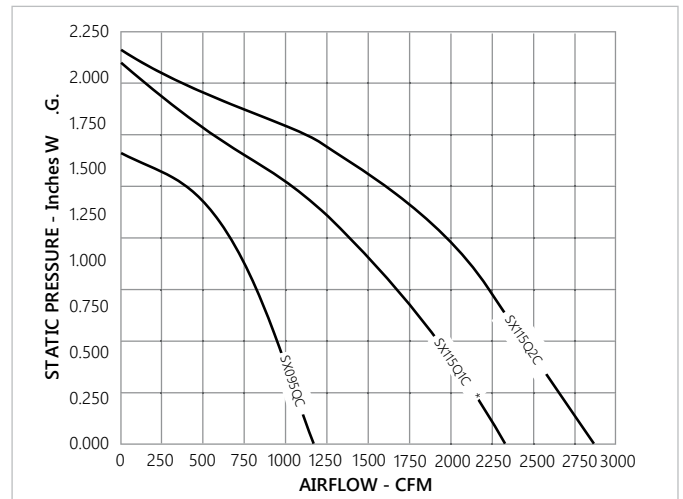
Nominal 1300 RPM



Nominal 1550 RPM



Nominal 1550 RPM



Performance shown is for installation Type B: Free Inlet, Ducted Outlet. Speed (RPM) shown is nominal. Performance is based on actual speed of test. The sound ratings shown are for loudness values in fan sones at 5'0" (1.5m) in a hemispherical free field per AMCA Standard 301. Values shown are for Installation Type B: free inlet fan sone levels. Performance ratings do not include the effects of appurtenances in the airstream. For models shown on this page, the AMCA Certified Ratings Seal applies to air and sound.

CENTREX INLINE FAN | BELT DRIVE

Performance Data

The thirteen belt drive models shown on the following pages have sizes and capacities ranging from below 400 CFM to above 27,500 CFM, with static pressures from 0" to above 3.5". All models are available in up to eight different horsepower sizes with a wide range of RPM.

The data provided for each belt drive model includes:

- Performance Chart
- Fan Curve Graph
- Elevation drawing showing overall dimensions

Each curve graphically displays the range of capacities available for each model, in most cases beyond the specifics shown in the tabular data. The maximum performance afforded by each horsepower is indicated by dashed lines and the RPM is indicated by solid lines.

Some models have graphs that show both shaded and unshaded areas. Selection should be made from the unshaded area only. Shaded areas reflect unstable performance ("surge"), a characteristic typical of backwardly inclined wheels, and should be avoided. These unstable regions are not shown in the tabular data.

The highest RPM shown for a specific horsepower in the tabular data is the maximum speed that for any point along the performance curve, the BHP will not exceed the available horsepower.

It is important to note that while it is common industry-wide practice to exceed a "nominal" horsepower by using a motor's service factor, PennBarry uses a conservative portion of the service factor, allowing half to remain a true "safety" factor. PennBarry's software also factors an additional allowance for belt drive losses into the BHP calculations to ensure proper motor selection. This allowance is currently the most conservative in the industry.

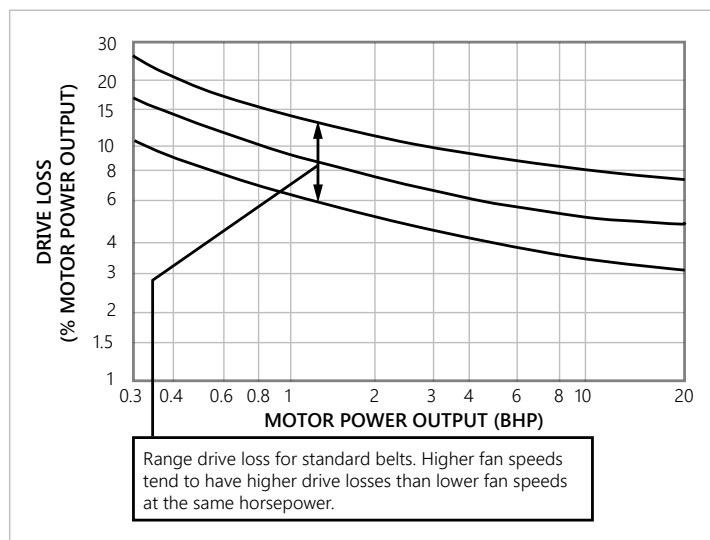
Note: Centrex Inliner fans are only one component of a total system. As such, performance is directly affected by the system. It is critical that system designers determine actual system losses to ensure that the actual flow is specified in the system range.

Belt Drive Losses

The air performance tables shown in this catalog do include drive losses. When comparing the data found in our charts to data that does not include drive losses, the chart below will help estimate our equivalent brake horsepower (BHP).

The AMCA Review Committee has developed the chart shown below for the purpose of estimating belt drive losses. To calculate total BHP (including drive losses): Find the BHP of your operating point on the x-axis on the graph below. Follow the vertical line to the lines indicating the range of drive losses. Look at the y-axis on the left and find the drive loss percentage. Calculate the total BHP by adding the drive loss to the operating point BHP. For BHP's below 0.3, use 30%.

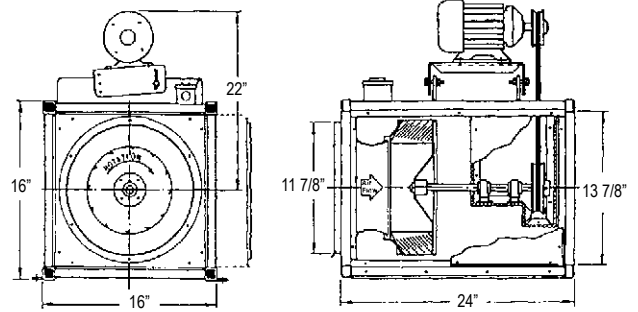
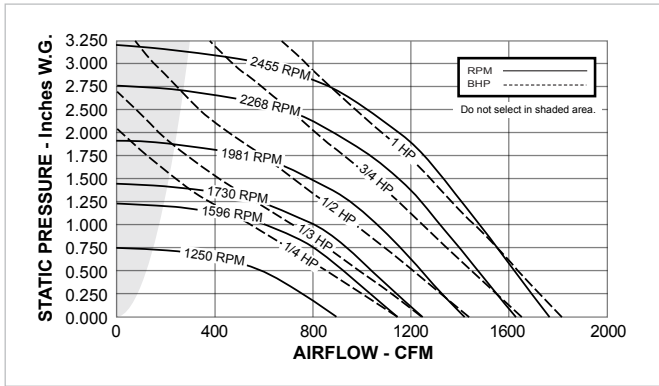
Drive Loss Reference Chart



For totally enclosed, explosion proof, multi-speed and all 1.0 Service Factor motors, fan BHP plus drive losses should not exceed motor rated HP.

Graph reprinted from AMCA publication 203 with the express written permission from the Air Movement and Control Association, Inc., 30 West University Drive, Arlington Heights, IL 60004-1983.

SX100BC | BELT DRIVE



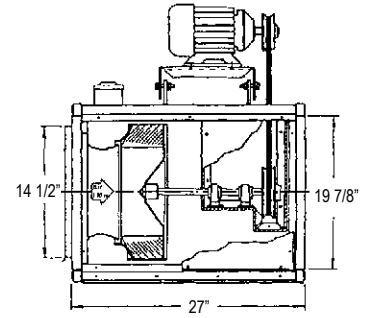
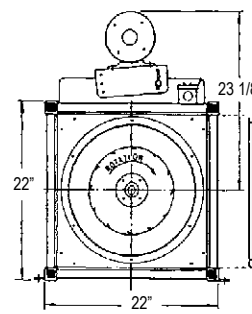
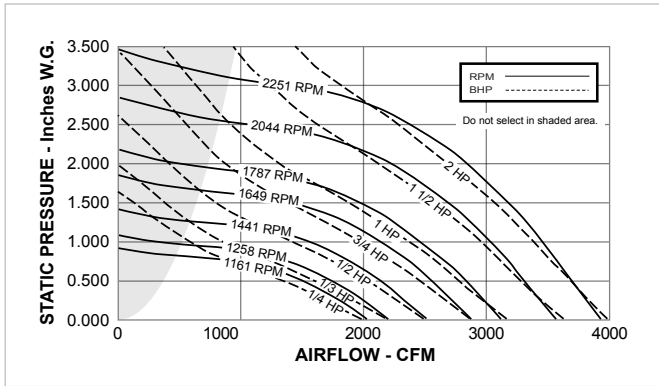
HP	RPM	Tip Speed	0.250" SP		0.500" SP		0.750" SP		1.000" SP		1.250" SP		1.500" SP		1.750" SP		2.000" SP		2.250" SP		2.500" SP			
			CFM		CFM		CFM		CFM		CFM		CFM		CFM		CFM		CFM		CFM		CFM	
			Sones	BHP	Sones	BHP	Sones	BHP	Sones	BHP	Sones	BHP	Sones	BHP	Sones	BHP	Sones	BHP	Sones	BHP	Sones	BHP	Sones	BHP
1/4	900	2827	368		-		-		-		-		-		-		-		-		-		-	
			4.2	0.043	-		-		-		-		-		-		-		-		-		-	
	1000	3142	447		-		-		-		-		-		-		-		-		-		-	
			5.2	0.057	-		-		-		-		-		-		-		-		-		-	
	1100	3456	523		242		-		-		-		-		-		-		-		-		-	
			6.2	0.074	6.3	0.063	-		-		-		-		-		-		-		-		-	
	1200	3770	596		383		-		-		-		-		-		-		-		-		-	
			7.4	0.095	7.5	0.091	-		-		-		-		-		-		-		-		-	
	1300	4084	667		492		-		-		-		-		-		-		-		-		-	
			8.2	0.118	8.3	0.118	-		-		-		-		-		-		-		-		-	
1400	4398	736		586		379		-		-		-		-		-		-		-		-		
		9.1	0.146	9.1	0.149	9.2	0.139	-		-		-		-		-		-		-		-		
1500	4712	805		673		504		-		-		-		-		-		-		-		-		
		10.1	0.178	10.0	0.183	10.1	0.179	-		-		-		-		-		-		-		-		
1596	5014	870		750		606		409		-		-		-		-		-		-		-		
		11.0	0.213	10.7	0.219	10.7	0.218	10.8	0.202	-		-		-		-		-		-		-		
1625	5105	889		773		635		449		-		-		-		-		-		-		-		
		11.2	0.224	10.9	0.231	10.9	0.231	11.0	0.218	-		-		-		-		-		-		-		
1/3	1650	5184	906		792		659		483		-		-		-		-		-		-		-	
			11.5	0.234	11.2	0.242	11.1	0.242	11.2	0.232	-		-		-		-		-		-		-	
	1675	5262	923		811		682		515		-		-		-		-		-		-		-	
			11.7	0.244	11.4	0.252	11.4	0.254	11.4	0.246	-		-		-		-		-		-		-	
	1700	5341	939		830		705		545		300		-		-		-		-		-		-	
			12.0	0.255	11.6	0.263	11.6	0.266	11.6	0.259	11.6	0.215	-		-		-		-		-		-	
	1730	5435	959		853		732		580		365		-		-		-		-		-		-	
12.3			0.268	11.9	0.277	11.8	0.280	11.9	0.274	11.9	0.241	-		-		-		-		-		-		
1775	5576	989		886		772		630		442		-		-		-		-		-		-		
		12.8	0.289	12.3	0.298	12.2	0.303	12.3	0.298	12.3	0.275	-		-		-		-		-		-		
1825	5733	1022		923		814		681		514		-		-		-		-		-		-		
		13.3	0.313	12.8	0.323	12.7	0.329	12.7	0.326	12.7	0.311	-		-		-		-		-		-		
1/2	1900	5969	1071		978		875		756		609		410		-		-		-		-		-	
			14.1	0.352	13.7	0.363	13.4	0.370	13.4	0.370	13.4	0.361	13.4	0.322	-		-		-		-		-	
	1981	6223	1124		1036		940		830		700		538		-		-		-		-		-	
			15.0	0.398	14.5	0.410	14.1	0.419	14.0	0.421	14.0	0.414	14.0	0.394	-		-		-		-		-	
	2075	6519	1184		1101		1011		913		797		659		481		-		-		-		-	
16.0			0.455	15.6	0.469	15.1	0.479	15.0	0.484	14.9	0.480	14.9	0.470	15.0	0.430	-		-		-		-		
2150	6754	1233		1153		1067		974		869		746		595		379		-		-		-		
		17.1	0.505	16.6	0.520	16.1	0.531	15.9	0.537	15.8	0.537	15.7	0.528	15.7	0.506	15.7	0.434	-		-		-		

SX100BC | BELT DRIVE

HP	RPM	Tip Speed	0.250" SP		0.500" SP		0.750" SP		1.000" SP		1.250" SP		1.500" SP		1.750" SP		2.000" SP		2.250" SP		2.500" SP			
			CFM		CFM		CFM		CFM		CFM		CFM		CFM		CFM		CFM		CFM		CFM	
			Sones	BHP	Sones	BHP	Sones	BHP	Sones	BHP	Sones	BHP	Sones	BHP	Sones	BHP	Sones	BHP	Sones	BHP	Sones	BHP	Sones	BHP
3/4	2200	6912	1265		1187		1104		1015		915		798		662		485		-		-			
			17.9	0.540	17.4	0.556	16.8	0.567	16.6	0.575	16.4	0.576	16.3	0.569	16.3	0.555	16.3	0.504	-	-	-	-		
	2268	7125	1308		1234		1154		1069		976		868		743		595		357		-			
			18.9	0.591	18.5	0.607	17.9	0.620	17.5	0.629	17.3	0.633	17.2	0.627	17.2	0.616	17.1	0.585	17.0	0.487	-	-		
	2325	7304	1345		1272		1196		1114		1025		924		809		672		498		-			
			19.7	0.636	19.3	0.652	18.7	0.666	18.3	0.676	18.1	0.681	18.0	0.678	17.9	0.668	17.8	0.648	17.8	0.589	-	-		
	2350	7383	1361		1289		1214		1133		1046		947		835		705		541		-			
			20.0	0.656	19.7	0.673	19.1	0.687	18.5	0.697	18.5	0.703	18.3	0.701	18.2	0.692	18.2	0.676	18.1	0.623	-	-		
	2375	7461	1377		1306		1232		1152		1066		970		861		736		582		313			
			21.0	0.677	20.0	0.694	19.5	0.709	19.0	0.719	18.8	0.725	18.6	0.724	18.6	0.716	18.5	0.702	18.4	0.656	18.3	0.522		
	2425	7618	1409		1340		1268		1190		1107		1016		912		795		657		470			
			21.0	0.719	21.0	0.737	20.0	0.753	19.7	0.764	19.5	0.771	19.3	0.772	19.2	0.765	19.1	0.753	19.1	0.721	18.9	0.644		
2455	7713	1428		1360		1289		1212		1131		1043		943		830		698		534				
		22.0	0.746	21.0	0.764	21.0	0.780	20.0	0.791	19.9	0.799	19.7	0.802	19.6	0.795	19.5	0.784	19.4	0.759	19.3	0.698			

Performance certified is for installation Type A: free inlet, free outlet. Power rating (BHP) does not include transmission losses. Performance ratings do not include the effects of appurtenances. The sound ratings shown are loudness values in fan sones at 1.5 m (5 ft) in a hemispherical free field calculated per AMCA International Standard 301. Values shown are for Installation Type A: free inlet hemispherical sone levels. For models shown on this page, the AMCA Certified Ratings Seal applies to air and sound.

SX120BC | BELT DRIVE



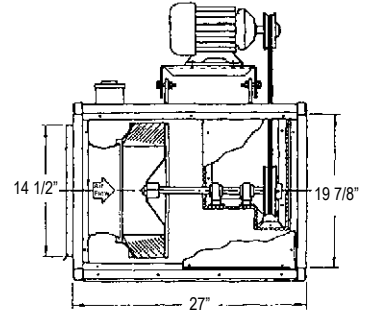
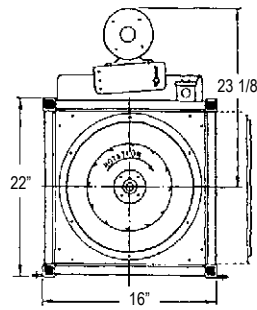
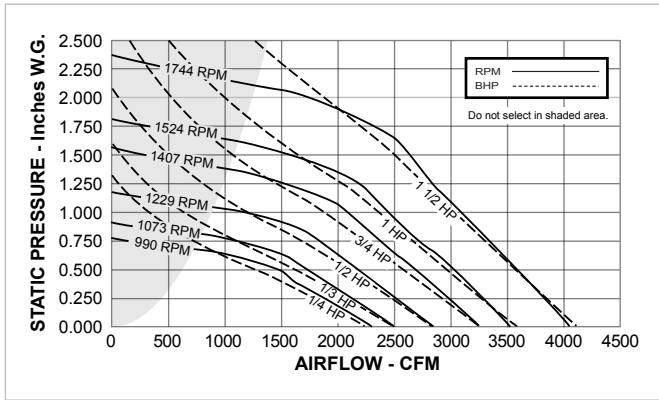
HP	RPM	Tip Speed FPM	0.250" SP		0.500" SP		0.750" SP		1.000" SP		1.250" SP		1.500" SP		1.750" SP		2.000" SP		2.250" SP		2.500" SP	
			CFM	Sones	BHP	CFM	Sones	BHP	CFM	Sones	BHP	CFM	Sones	BHP	CFM	Sones	BHP	CFM	Sones	BHP	CFM	Sones
1/4	775	2847	948	-	-	-	-	-	-	-	-	-	-	-	-	-	-	-	-	-	-	-
			3.6	0.09	-	-	-	-	-	-	-	-	-	-	-	-	-	-	-	-	-	-
	925	3398	1309	645	-	-	-	-	-	-	-	-	-	-	-	-	-	-	-	-	-	-
			5.6	0.15	5.2	0.12	-	-	-	-	-	-	-	-	-	-	-	-	-	-	-	-
1161	4265	1800	1507	989	-	-	-	-	-	-	-	-	-	-	-	-	-	-	-	-	-	
		8.0	0.29	7.6	0.30	7.5	0.27	-	-	-	-	-	-	-	-	-	-	-	-	-	-	-
1/3	1225	4500	1923	1660	1273	-	-	-	-	-	-	-	-	-	-	-	-	-	-	-	-	
			8.8	0.33	8.4	0.35	8.2	0.34	-	-	-	-	-	-	-	-	-	-	-	-	-	-
	1258	4621	1986	1737	1384	-	-	-	-	-	-	-	-	-	-	-	-	-	-	-	-	
			9.1	0.36	8.7	0.37	8.5	0.37	-	-	-	-	-	-	-	-	-	-	-	-	-	-
1/2	1325	4867	2113	1890	1591	1045	-	-	-	-	-	-	-	-	-	-	-	-	-	-		
			9.6	0.42	9.2	0.43	8.9	0.44	9.0	0.38	-	-	-	-	-	-	-	-	-	-	-	
	1400	5153	2255	2053	1792	1420	-	-	-	-	-	-	-	-	-	-	-	-	-	-		
			10.3	0.49	10.0	0.51	9.6	0.52	9.6	0.50	-	-	-	-	-	-	-	-	-	-	-	
1441	5293	2332	2140	1892	1560	767	-	-	-	-	-	-	-	-	-	-	-	-	-			
		10.8	0.53	10.5	0.55	10.1	0.56	10.0	0.55	10.1	0.40	-	-	-	-	-	-	-	-	-		
3/4	1500	5510	2443	2264	2032	1747	1284	-	-	-	-	-	-	-	-	-	-	-	-			
			11.6	0.60	11.2	0.62	10.8	0.64	10.6	0.63	10.6	0.58	-	-	-	-	-	-	-	-		
	1575	5785	2583	2415	2206	1968	1621	788	-	-	-	-	-	-	-	-	-	-	-			
			12.5	0.69	12.2	0.72	11.7	0.73	11.3	0.74	11.3	0.71	11.5	0.50	-	-	-	-	-			
1649	6057	2721	2559	2374	2148	1869	1439	-	-	-	-	-	-	-	-	-	-	-				
		13.2	0.79	12.9	0.82	12.5	0.83	12.1	0.85	12.0	0.84	12.1	0.77	-	-	-	-	-				
1	1685	6190	2787	2628	2452	2235	1978	1609	-	-	-	-	-	-	-	-	-	-				
			13.7	0.84	13.4	0.87	13.1	0.89	12.7	0.90	12.4	0.90	12.5	0.85	-	-	-	-				
	1715	6300	2843	2686	2516	2307	2067	1740	1037	-	-	-	-	-	-	-	-					
			14.2	0.89	13.9	0.92	13.5	0.94	13.1	0.95	12.8	0.95	12.8	0.92	13.0	0.72	-	-				
	1755	6447	2917	2763	2601	2400	2185	1877	1397	-	-	-	-	-	-	-	-					
			14.9	0.95	14.5	0.98	14.1	1.00	13.7	1.02	13.3	1.02	13.4	0.99	13.5	0.90	-	-				
1787	6564	2976	2824	2668	2474	2264	1985	1582	-	-	-	-	-	-	-	-						
		15.5	1.00	15.1	1.03	14.7	1.05	14.2	1.07	13.8	1.08	13.8	1.06	13.8	0.99	-	-					

SX120BC | BELT DRIVE

HP	RPM	Tip Speed FPM	0.250" SP		0.500" SP		0.750" SP		1.000" SP		1.250" SP		1.500" SP		1.750" SP		2.000" SP		2.250" SP		2.500" SP			
			CFM		CFM		CFM		CFM		CFM		CFM		CFM		CFM		CFM		CFM		CFM	
			Sones	BHP	Sones	BHP	Sones	BHP	Sones	BHP	Sones	BHP	Sones	BHP	Sones	BHP	Sones	BHP	Sones	BHP	Sones	BHP	Sones	BHP
1 1/2	1825	6704	3045		2896		2748		2562		2357		2104		1761		1003		-		-			
			16.2	1.06	15.8	1.10	15.4	1.12	14.9	1.14	14.4	1.15	14.2	1.14	14.3	1.08	14.5	0.82	-	-	-	-		
	1875	6887	3137		2990		2852		2676		2478		2254		1957		1486		-		-			
			16.8	1.15	16.5	1.18	16.2	1.21	15.8	1.23	15.4	1.24	15.1	1.24	15.1	1.21	15.1	1.09	-	-	-	-		
	1925	7071	3228		3085		2951		2787		2597		2400		2126		1761		906		-			
			17.5	1.24	17.2	1.28	17.0	1.31	16.8	1.33	16.5	1.34	16.2	1.35	16.1	1.32	16.1	1.25	16.2	0.88	-	-		
1975	7255	3320		3179		3048		2894		2714		2523		2284		1991		1477		-				
		18.3	1.34	18.1	1.38	18.0	1.41	17.8	1.43	17.7	1.45	17.5	1.45	17.4	1.44	17.3	1.40	17.4	1.24	-	-			
2044	7508	3446		3310		3181		3040		2873		2690		2490		2226		1878		1168				
		19.5	1.48	19.3	1.52	19.1	1.55	19.0	1.58	18.9	1.60	18.7	1.61	19.0	1.61	19.0	1.58	18.9	1.50	18.8	1.18			
2	2075	7622	3502		3368		3241		3105		2943		2765		2581		2330		2024		1499			
			20.0	1.55	19.9	1.59	19.7	1.62	19.4	1.65	19.2	1.67	19.0	1.68	19.2	1.69	19.2	1.67	19.1	1.60	19.1	1.41		
	2125	7806	3593		3462		3337		3210		3057		2883		2705		2483		2216		1839			
			21.0	1.66	21.0	1.70	21.0	1.74	20.0	1.77	20.0	1.79	19.7	1.81	19.6	1.81	19.6	1.80	19.6	1.75	19.6	1.64		
	2175	7989	3684		3556		3432		3314		3165		2999		2827		2632		2385		2076			
			23.0	1.78	22.0	1.82	22.0	1.86	21.0	1.89	21.0	1.91	21.0	1.93	20.0	1.94	20.0	1.94	20.0	1.91	20.0	1.83		
	2200	8081	3729		3602		3480		3363		3218		3057		2887		2706		2469		2192			
			23.0	1.84	23.0	1.89	22.0	1.92	22.0	1.96	22.0	1.98	21.0	2.00	21.0	2.01	21.0	2.01	21.0	1.98	21.0	1.92		
	2225	8173	3775		3649		3527		3412		3271		3115		2947		2777		2546		2285			
			24.0	1.91	23.0	1.95	23.0	1.99	22.0	2.02	22.0	2.04	22.0	2.06	21.0	2.08	21.0	2.08	21.0	2.06	21.0	2.01		
2251	8269	3822		3697		3577		3462		3326		3174		3009		2841		2624		2373				
		24.0	1.97	24.0	2.02	23.0	2.05	23.0	2.09	22.0	2.11	22.0	2.13	22.0	2.15	21.0	2.15	21.0	2.14	21.0	2.09			

Performance certified is for installation type A: Free Inlet, Free Outlet. Power rating (BHP) does not include transmission losses. For further information on estimating belt drive losses and motor service factors see page 13. The sound ratings shown are for loudness values in fan sones at 5'0" (1.5m) in a hemispherical free field per AMCA Standard 301. Values shown are for installation Type A: free inlet sone levels. Performance ratings do not include the effects of appurtenances.

SX125BC | BELT DRIVE



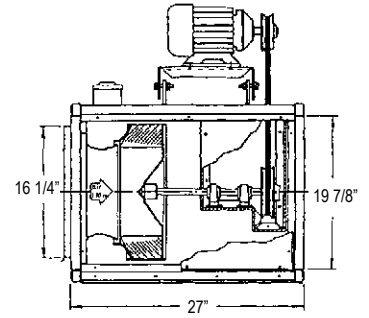
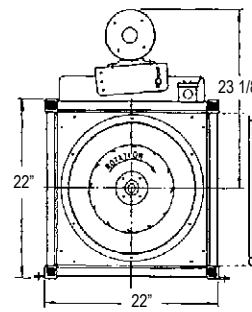
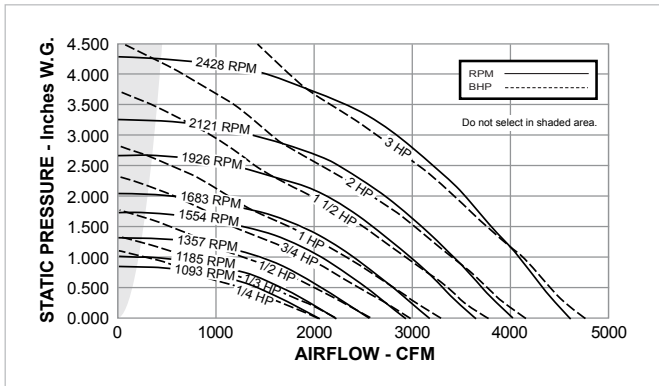
HP	RPM	Tip Speed FPM	0.250 SP "		0.500 SP "		0.750 SP "		1.000 SP "		1.250 SP "		1.500 SP "		1.750 SP "		2.000 SP "		2.250 SP "		2.500 SP "		
			CFM		CFM		CFM		CFM		CFM		CFM		CFM		CFM		CFM		CFM		
			Sones	BHP	Sones	BHP	Sones	BHP	Sones	BHP	Sones	BHP	Sones	BHP	Sones	BHP	Sones	BHP	Sones	BHP	Sones	BHP	
1/4	915	3803	1687		1140		-		-		-		-		-		-		-		-		
			8.6	0.23	8.2	0.22	-		-		-		-		-		-		-		-		
	950	3948	1789		1310		-		-		-		-		-		-		-		-		
			9.1	0.25	8.8	0.26	-		-		-		-		-		-		-		-		
990	4115	1901		1462		-		-		-		-		-		-		-		-		-	
		9.9	0.29	9.6	0.30	-		-		-		-		-		-		-		-		-	
1/3	1020	4239	1983		1559		-		-		-		-		-		-		-		-		
			10.2	0.31	9.9	0.32	-		-		-		-		-		-		-		-		
	1050	4364	2065		1647		894		-		-		-		-		-		-		-		
			10.4	0.34	10.1	0.35	9.8	0.29	-		-		-		-		-		-		-		
1073	4459	2128		1714		1105		-		-		-		-		-		-		-		-	
		10.5	0.36	10.3	0.37	10.1	0.34	-		-		-		-		-		-		-		-	
1/2	1110	4613	2228		1823		1337		-		-		-		-		-		-		-		
			10.8	0.40	10.6	0.41	10.5	0.40	-		-		-		-		-		-		-		
	1150	4779	2335		1941		1541		-		-		-		-		-		-		-		
			11.1	0.44	10.9	0.46	10.9	0.46	-		-		-		-		-		-		-		
1190	4946	2442		2062		1715		-		-		-		-		-		-		-			
		11.7	0.49	11.4	0.50	11.4	0.51	-		-		-		-		-		-		-			
1229	5108	2545		2184		1845		1194		-		-		-		-		-		-			
		12.0	0.54	11.7	0.55	11.8	0.57	11.7	0.50	-		-		-		-		-		-			
3/4	1265	5257	2641		2300		1956		1449		-		-		-		-		-		-		
			12.4	0.59	12.1	0.60	12.1	0.62	12.1	0.58	-		-		-		-		-		-		
	1335	5548	2825		2505		2159		1813		-		-		-		-		-		-		
			13.2	0.68	13.0	0.71	12.9	0.71	13.0	0.72	-		-		-		-		-		-		
	1370	5694	2916		2605		2264		1967		1298		-		-		-		-		-		
13.6			0.74	13.4	0.76	13.4	0.77	13.5	0.78	13.2	0.68	-		-		-		-		-			
1407	5848	3012		3707		2373		2090		1573		-		-		-		-		-			
			14.0	0.80	13.9	0.82	13.9	0.84	14.1	0.85	13.8	0.78	-		-		-		-		-		

SX125BC | BELT DRIVE

HP	RPM	Tip Speed FPM	0.250 SP "		0.500 SP "		0.750 SP "		1.000 SP "		1.250 SP "		1.500 SP "		1.750 SP "		2.000 SP "		2.250 SP "		2.500 SP "	
			CFM		CFM		CFM		CFM		CFM		CFM		CFM		CFM		CFM		CFM	
			Sones	BHP	Sones	BHP	Sones	BHP	Sones	BHP	Sones	BHP	Sones	BHP	Sones	BHP	Sones	BHP	Sones	BHP	Sones	BHP
1	1435	5964	3082		2784		2457		2182		1738		-		-		-		-		-	
			14.4	0.84	14.3	0.87	14.2	0.88	14.5	0.90	14.3	0.86	-	-	-	-	-	-	-	-	-	-
	1465	6089	3156		2867		2549		2271		1896		-		-		-		-		-	
			14.8	0.90	14.7	0.93	14.6	0.94	14.9	0.95	14.8	0.93	-	-	-	-	-	-	-	-	-	
	1495	6213	3231		2948		2642		2359		2038		1368		-		-		-		-	
			15.2	0.95	15.1	0.98	15.0	1.00	15.2	1.01	15.3	1.00	15.2	0.87	-	-	-	-	-	-	-	
	1524	6334	3302		3027		2736		2443		2172		1610		-		-		-		-	
			15.5	1.00	15.4	1.04	15.3	1.05	15.5	1.07	15.8	1.08	15.7	0.98	-	-	-	-	-	-	-	
1 1/2	1555	6463	3379		3111		2834		2534		2277		1807		-		-		-		-	
			15.9	1.07	15.8	1.10	15.6	1.12	15.8	1.13	16.3	1.14	16.2	1.07	-	-	-	-	-	-	-	
	1585	6587	3453		3192		2922		2623		2376		1976		-		-		-		-	
			16.2	1.13	16.2	1.17	16.0	1.18	16.1	1.20	16.8	1.21	16.7	1.17	-	-	-	-	-	-		
	1615	6712	3526		3273		3010		2712		2471		2127		1480		-		-		-	
			16.6	1.19	16.6	1.23	16.3	1.25	16.4	1.26	17.1	1.28	17.2	1.25	17.1	1.10	-	-	-	-		
	1645	6837	3600		3353		3097		2800		2560		2267		1732		-		-		-	
			17.0	1.25	17.0	1.30	16.7	1.32	16.6	1.33	17.3	1.35	17.8	1.34	17.6	1.23	-	-	-	-		
1675	6961	3673		3433		3182		2892		2648		2399		1926		-		-		-		
		17.4	1.32	17.4	1.37	17.2	1.39	16.9	1.41	17.6	1.42	18.4	1.43	18.2	1.34	-	-	-	-			
1705	7086	3747		3512		3265		2985		2735		2500		2096		1350		-		-		
		17.8	1.39	17.8	1.44	17.6	1.46	17.3	1.48	17.9	1.50	18.8	1.51	18.8	1.44	18.5	1.21	-	-			
1744	7248	3842		3616		3373		3109		2849		2628		2296		1739		-		-		
		18.4	1.49	18.4	1.54	18.2	1.57	17.8	1.58	18.2	1.60	19.2	1.61	19.6	1.58	19.4	1.43	-	-			

Performance certified is for installation Type A: free inlet, free outlet. Power rating (BHP) does not include transmission losses. Performance ratings do not include the effects of appurtenances. The sound ratings shown are loudness values in fan sones at 1.5 m (5 ft) in a hemispherical free field calculated per AMCA International Standard 301. Values shown are for Installation Type A: free inlet hemispherical sone levels. For models shown on this page, the AMCA Certified Ratings Seal applies to air and sound.

SX125BHC | BELT DRIVE



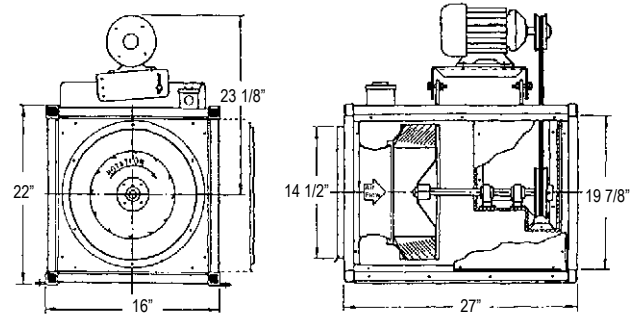
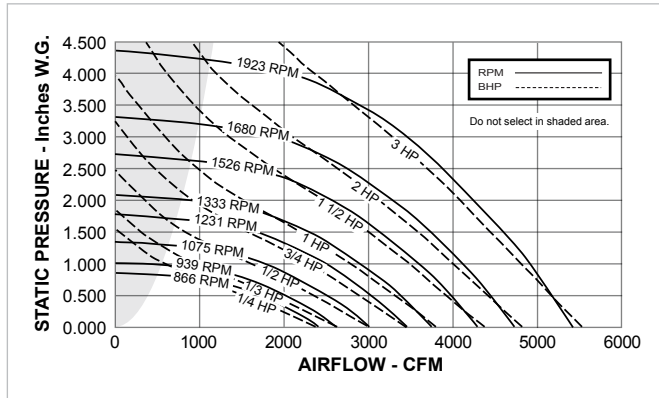
HP	RPM	Tip Speed FPM	0.750" SP		1.000" SP		1.250" SP		1.500" SP		1.750" SP		2.000" SP		2.250" SP		2.500" SP		3.000" SP		3.500" SP					
			CFM		CFM		CFM		CFM		CFM		CFM		CFM		CFM		CFM		CFM					
			Sones	BHP	Sones	BHP	Sones	BHP	Sones	BHP	Sones	BHP	Sones	BHP	Sones	BHP	Sones	BHP	Sones	BHP	Sones	BHP				
1/4	1093	4543	936		-		-		-		-		-		-		-		-		-					
			9.1	0.28	-		-		-		-		-		-		-		-		-					
1/3	1100	4572	976		-		-		-		-		-		-		-		-		-					
			9.2	0.29	-		-		-		-		-		-		-		-		-					
1/3	1185	4925	1340		486		-		-		-		-		-		-		-		-					
			10.4	0.38	10.5	0.27	-		-		-		-		-		-		-		-					
1/2	1275	5299	1616		1154		-		-		-		-		-		-		-		-					
			11.7	0.49	11.8	0.45	-		-		-		-		-		-		-		-					
1/2	1375	5640	1845		1508		870		-		-		-		-		-		-		-					
			12.5	0.56	12.6	0.56	13.0	0.48	-		-		-		-		-		-		-					
3/4	1425	5922	2022		1724		1288		-		-		-		-		-		-		-					
			13.6		0.64		13.6		0.63		-		-		-		-		-		-					
			2142		1874		1524		862		-		-		-		-		-		-					
3/4	1475	6130	14.5		0.70		14.5		0.72		14.6		0.72		15.0		0.59		-		-					
			2329		2095		1806		1371		-		-		-		-		-		-					
3/4	1554	6459	15.8		0.82		15.8		0.83		15.9		0.85		16.0		0.81		-		-					
			2436		2221		1949		1600		985		-		-		-		-		-					
1	1600	6650	16.4		0.89		16.5		0.91		16.6		0.92		16.7		0.91		17.1		0.77					
			2553		2346		2098		1802		1310		-		-		-		-		-					
			17.3		0.97		17.4		0.99		17.6		1.01		17.6		1.01		17.8		0.94					
1	1683	6995	2629		2425		2191		1918		1506		792		-		-		-		-					
			17.5		1.02		17.6		1.05		17.8		1.07		17.9		1.08		18.1		1.04		18.7		0.81	
1 1/2	1775	7377	2839		2644		2446		2203		1919		1471		691		-		-		-					
			18.1		1.19		18.2		1.22		18.4		1.24		18.5		1.26		18.7		1.26		19.0		1.19	
			2952		2761		2575		2348		2095		1746		1196		-		-		-		-			
			18.6		1.29		18.7		1.32		18.8		1.34		19.0		1.36		19.1		1.37		19.4		1.34	
1 1/2	1825	7585	3062		2877		2696		2488		2250		1964		1511		790		-		-					
			19.1		1.39		19.2		1.43		19.3		1.45		19.5		1.47		19.6		1.49		19.8		1.48	
1 1/2	1875	7793	3172		2996		2817		2629		2406		2160		1807		1275		-		-					
			19.5		1.50		19.6		1.54		19.8		1.56		19.9		1.59		20.0		1.61		20.0		1.61	
1 1/2	1926	8005	20.0		1.61		20.0		1.61		20.0		1.61		21.0		1.57		21.0		1.39					
			21.0		1.39		-		-		-		-		-		-		-		-		-			

SX125BHC | BELT DRIVE

HP	RPM	Tip Speed FPM	0.750" SP		1.000" SP		1.250" SP		1.500" SP		1.750" SP		2.000" SP		2.250" SP		2.500" SP		3.000" SP		3.500" SP			
			CFM		CFM		CFM		CFM		CFM		CFM		CFM		CFM		CFM		CFM		CFM	
			Sones	BHP	Sones	BHP	Sones	BHP	Sones	BHP	Sones	BHP	Sones	BHP	Sones	BHP	Sones	BHP	Sones	BHP	Sones	BHP	Sones	BHP
2	1965	7167	3257		3084		2910		2735		2519		2283		1984		1520		-		-			
			19.8	1.58	19.9	1.63	20.0	1.66	20.0	1.68	20.0	1.70	21.0	1.71	21.0	1.69	21.0	1.58	-	-	-	-		
	2005	8333	3343		3177		3004		2835		2631		2407		2146		1764		-		-			
			20.0	1.67	20.0	1.72	20.0	1.76	20.0	1.78	21.0	1.80	21.0	1.82	21.0	1.81	22.0	1.75	-	-	-	-		
	2045	8499	3429		3268		3097		2931		2742		2530		2298		1973		713		-			
			21.0	1.77	21.0	1.82	21.0	1.86	21.0	1.88	21.0	1.90	21.0	1.92	21.0	1.93	22.0	1.89	21.5	1.35	-	-		
2090	8686	3524		3370		3202		3039		2866		2662		2440		2172		1252		-				
		21.0	1.88	21.0	1.94	21.0	1.98	22.0	2.00	22.0	2.03	22.0	2.05	22.0	2.06	22.0	2.05	22.1	1.70	-	-			
2121	8815	3590		3439		3274		3113		2950		2750		2536		2291		1466		-				
		22.0	1.96	22.0	2.02	22.0	2.06	22.0	2.09	22.0	2.11	22.0	2.14	23.0	2.15	23.0	2.15	24.0	1.89	-	-			
3	2200	9143	3757		3611		3457		3299		3145		2970		2776		2562		1952		-			
			23.0	2.17	23.0	2.23	23.0	2.28	23.0	2.32	24.0	2.34	24.0	2.37	24.0	2.39	24.0	2.40	24.0	2.31	-	-		
	2250	9351	3862		3720		3571		3416		3265		3107		2917		2717		2206		1293			
			24.0	2.32	24.0	2.38	24.0	2.43	24.0	2.47	24.0	2.50	24.0	2.52	24.0	2.55	24.0	2.57	25.0	2.53	24.1	2.09		
	2300	9559	3965		3827		3685		3532		3384		3236		3057		2870		2420		1639			
			24.0	2.47	24.0	2.53	24.0	2.59	25.0	2.63	24.0	2.66	25.0	2.69	25.0	2.71	25.0	2.74	25.0	2.73	24.7	2.45		
	2350	9797	4067		3935		3798		3649		3502		3357		3195		3014		2612		1959			
			25.0	2.63	25.0	2.69	25.0	2.75	25.0	2.79	25.0	2.83	25.0	2.86	25.0	2.88	25.0	2.91	26.0	2.93	26.0	2.77		
2400	9975	4169		4041		3908		3764		3619		3478		3332		3155		2776		2242				
		26.0	2.80	26.0	2.85	26.0	2.92	26.0	2.96	26.0	3.01	26.0	3.03	26.0	3.06	26.0	3.09	26.0	3.12	26.0	3.04			
2428	10091	4226		4101		3969		3828		3684		3544		3405		3232		2863		2372				
		26.0	2.90	26.0	2.95	26.0	3.01	27.0	3.06	27.0	3.11	27.0	3.14	27.0	3.16	27.0	3.19	27.0	3.23	27.0	3.18			

Performance certified is for installation Type A: free inlet, free outlet. Power rating (BHP) does not include transmission losses. Performance ratings do not include the effects of appurtenances. The sound ratings shown are loudness values in fan sones at 1.5 m (5 ft) in a hemispherical free field calculated per AMCA International Standard 301. Values shown are for Installation Type A: free inlet hemispherical sone levels. For models shown on this page, the AMCA Certified Ratings Seal applies to air and sound.

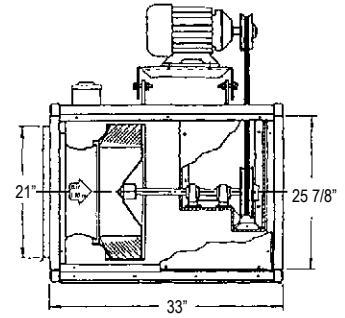
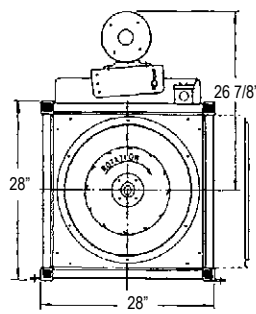
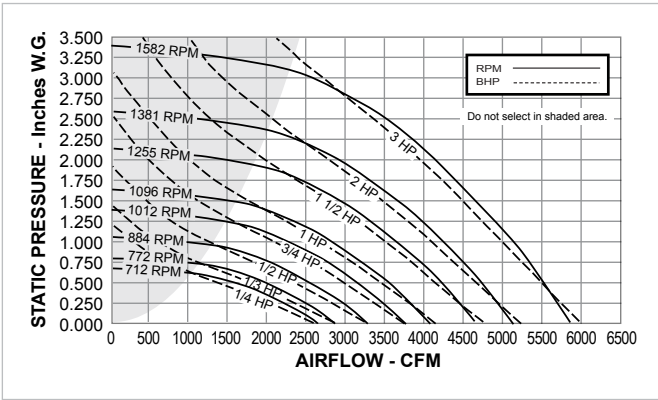
SX155BC | BELT DRIVE



Hp	RPM	Tip Speed	0.3 SP		0.5 SP		0.8 SP		1.0 SP		1.3 SP		1.5 SP		1.8 SP		2.0 SP		2.3 SP		2.5 SP		3.0 SP			
			Sones	BHP	Sones	BHP	Sones	BHP	Sones	BHP	Sones	BHP	Sones	BHP	Sones	BHP	Sones	BHP	Sones	BHP	Sones	BHP	Sones	BHP	Sones	BHP
1/4	750	3657	1760		-		-		-		-		-		-		-		-		-		-		-	
			5.5	0.200	-	-	-	-	-	-	-	-	-	-	-	-	-	-	-	-	-	-	-	-	-	-
1/4	860	4193	2119		1694		-		-		-		-		-		-		-		-		-		-	
			7.2	0.292	6.1	0.299	-	-	-	-	-	-	-	-	-	-	-	-	-	-	-	-	-	-	-	-
1/3	900	4388	2247		1859		-		-		-		-		-		-		-		-		-		-	
			7.9	0.332	6.9	0.343	-	-	-	-	-	-	-	-	-	-	-	-	-	-	-	-	-	-	-	-
1/3	945	4608	2390		2037		1564		-		-		-		-		-		-		-		-		-	
			8.7	0.381	7.8	0.396	6.8	0.385	-	-	-	-	-	-	-	-	-	-	-	-	-	-	-	-	-	-
1/2	1000	4876	2562		2249		1833		-		-		-		-		-		-		-		-		-	
			9.6	0.447	8.7	0.468	7.7	0.464	-	-	-	-	-	-	-	-	-	-	-	-	-	-	-	-	-	-
1/2	1080	5266	2810		2531		2187		1741		-		-		-		-		-		-		-		-	
			11	0.557	10.2	0.584	9.2	0.594	8.5	0.573	-	-	-	-	-	-	-	-	-	-	-	-	-	-	-	-
3/4	1100	5364	2871		2599		2268		1857		-		-		-		-		-		-		-		-	
			11.4	0.587	10.6	0.615	9.7	0.627	8.8	0.608	-	-	-	-	-	-	-	-	-	-	-	-	-	-	-	-
3/4	1240	6046	3297		3063		2813		2497		2129		-		-		-		-		-		-		-	
			13.9	0.829	13.2	0.866	12.5	0.893	11.6	0.899	10.8	0.873	-	-	-	-	-	-	-	-	-	-	-	-	-	-
1	1300	6339	3478		3258		3023		2737		2408		-		-		-		-		-		-		-	
			15.2	0.950	14.4	0.992	13.8	1.021	13	1.033	12	1.021	-	-	-	-	-	-	-	-	-	-	-	-	-	-
1	1330	6485	3568		3354		3125		2855		2544		2175		-		-		-		-		-		-	
			15.9	1.016	15.1	1.059	14.4	1.089	13.7	1.105	12.7	1.100	12.2	1.072	-	-	-	-	-	-	-	-	-	-	-	-
1	1365	6656	3673		3467		3243		2992		2701		2364		-		-		-		-		-		-	
			16.7	1.095	15.9	1.142	15.1	1.173	14.5	1.193	13.6	1.198	12.8	1.167	-	-	-	-	-	-	-	-	-	-	-	-
1 1/2	1375	6705	3703		3499		3276		3030		2746		2411		-		-		-		-		-		-	
			16.9	1.119	16.1	1.166	15.4	1.197	14.7	1.219	13.8	1.226	13.1	1.195	-	-	-	-	-	-	-	-	-	-	-	-
1 1/2	1435	6997	3881		3688		3476		3260		2987		2688		2340		-		-		-		-		-	
			18.2	1.267	17.5	1.318	16.8	1.352	16.2	1.383	15.3	1.391	14.5	1.376	14	1.346	-	-	-	-	-	-	-	-	-	-
1 1/2	1495	7290	4060		3874		3674		3469		3224		2958		2650		-		-		-		-		-	
			15.1	1.428	18.9	1.482	18.3	1.520	17.7	1.554	16.9	1.569	16	1.573	15.3	1.540	-	-	-	-	-	-	-	-	-	-
1 1/2	1560	7607	4252		4074		3886		3690		3475		3225		2948		2651		-		-		-		-	
			16.1	1.618	20.2	1.674	19.6	1.718	19.1	1.753	18.4	1.780	17.6	1.788	16.7	1.771	16.7	1.736	-	-	-	-	-	-	-	-
2	1575	7680	4296		4120		3934		3740		3533		3284		3016		2724		-		-		-		-	
			16.3	1.664	20.6	1.720	20	1.766	19.4	1.802	18.8	1.831	18	1.839	17	1.827	16.4	1.792	-	-	-	-	-	-	-	-
2	1605	7826	4385		4212		4031		3841		3647		3403		3151		2864		2524		-		-		-	
			16.9	1.759	21.3	1.816	20.7	1.864	20.1	1.901	19.5	1.936	18.8	1.944	17.8	1.944	17.2	1.907	16.9	1.878	-	-	-	-	-	-
2	1635	7972	4473		4303		4128		3941		3754		3521		3282		3003		2699		-		-		-	
			17.5	1.857	22	1.915	21.5	1.967	20.9	2.004	20.3	2.041	19.6	2.053	18.7	2.062	17.9	2.028	17.5	1.994	-	-	-	-	-	-
2	1695	8265	4649		4486		4320		4139		3959		3754		3523		3275		3004		2679		-		-	
			18.7	2.064	23.5	2.125	23	2.183	22.4	2.221	21.9	2.260	21.2	2.284	20.4	2.292	19.4	2.282	18.9	2.244	18.7	2.213	-	-	-	-
2	1720	8387	4723		4561		4399		4222		4044		3850		3622		3387		3120		2825		-		-	
			19.2	2.155	24.2	2.217	23.6	2.277	23.1	2.316	22.6	2.355	21.9	2.385	21.1	2.393	20.2	2.394	19.5	2.355	19.2	2.320	-	-	-	-
3	1725	8411	4738		4577		4415		4238		4061		3869		3642		3410		3143		2854		-		-	
			19.3	2.174	24.3	2.235	23.8	2.296	23.2	2.336	22.7	2.375	22.1	2.405	21.2	2.414	20.4	2.416	19.7	2.377	19.3	2.342	-	-	-	-
3	1765	8606	4855		4697		4540		4369		4196		4021		3799		3577		3326		3065		-		-	
			20.1	2.326	25.3	2.389	24.8	2.451	24.3	2.494	23.8	2.535	23.2	2.574	22.5	2.583	21.6	2.592	20.7	2.563	20.2	2.524	-	-	-	-
3	1805	8801	4972		4818		4664		4499		4329		4160		3955		3738		3506		3251		-		-	
			21.2	2.484	26.3	2.549	25.9	2.613	25.4	2.660	24.9	2.701	24.3	2.743	23.7	2.760	22.9	2.769	21.9	2.759	21.4	2.718	-	-	-	-
3	1845	8996	5089		4938		4788		4628		4463		4297		4109		3897		3685		3435		-		-	
			22.3	2.650	27.4	2.716	26.9	2.782	26.5	2.833	26	2.876	25.5	2.918	24.9	2.944	24.1	2.954	23.3	2.963	22.8	2.921	-	-	-	-
3	1885	9191	5206		5058		4911		4757		4595		4433		4262		4054		3847		3617		3099		-	
			23.1	2.823	28.3	2.891	27.9	2.958	27.5	3.014	27	3.057	26.5	3.100	25.9	3.137	25.2	3.147	24.4	3.156	23.7	3.134	23.1	3.054	-	-
3	1925	9386	5322		5178		5034		4885		4726		4568		4409		4210		4007		3796		3318		-	
			23.9	3.004	29.1	3.073	28.7	3.141	28.3	3.203	27.9	3.247	27.4	3.291	26.9	3.334	26.2	3.348	25.5	3.358	24.7	3.356	24	3.270	-	-

Performance certified is for installation Type A: free inlet, free outlet. Power rating (BHP) does not include transmission losses. Performance ratings do not include the effects of appurtenances. The sound ratings shown are loudness values in fan sones at 1.5 m (5 ft) in a hemispherical free field calculated per AMCA International Standard 301. Values shown are for Installation Type A: free inlet hemispherical sone levels. For models shown on this page, the AMCA Certified Ratings Seal applies to air and sound.

SX165BC | BELT DRIVE



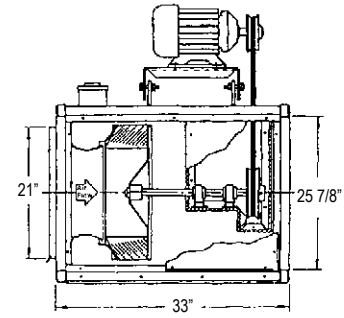
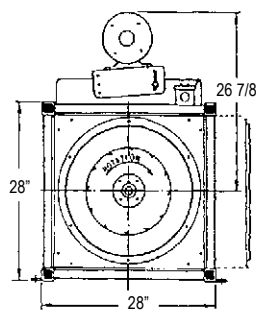
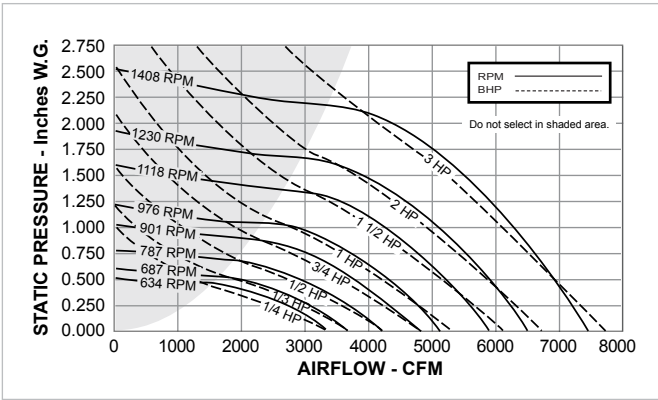
HP	RPM	Tip Speed FPM	0.250" SP		0.500" SP		0.750" SP		1.000" SP		1.250" SP		1.500" SP		1.750" SP		2.000" SP		2.250" SP		2.500" SP	
			CFM		CFM		CFM		CFM		CFM		CFM		CFM		CFM		CFM		CFM	
			Sones	BHP	Sones	BHP	Sones	BHP	Sones	BHP	Sones	BHP	Sones	BHP	Sones	BHP	Sones	BHP	Sones	BHP	Sones	BHP
1/4	660	3229	2043		-		-		-		-		-		-		-		-		-	
			8.3	0.23	-		-		-		-		-		-		-		-		-	
1/4	712	3483	2282		1438		-		-		-		-		-		-		-		-	
			9.9	0.29	9.4	0.27	-		-		-		-		-		-		-		-	
1/3	740	3620	2411		1721		-		-		-		-		-		-		-		-	
			10.3	0.32	9.9	0.32	-		-		-		-		-		-		-		-	
1/3	772	3777	2555		2002		-		-		-		-		-		-		-		-	
			10.6	0.36	10.1	0.37	-		-		-		-		-		-		-		-	
1/2	830	4061	2815		2364		1250		-		-		-		-		-		-		-	
			11.1	0.44	10.5	0.47	10.1	0.37	-		-		-		-		-		-		-	
1/2	884	4325	3054		2652		1886		-		-		-		-		-		-		-	
			12.0	0.53	11.3	0.56	10.8	0.53	-		-		-		-		-		-		-	
3/4	930	4550	3255		2873		2326		-		-		-		-		-		-		-	
			12.8	0.61	12.0	0.65	11.4	0.64	-		-		-		-		-		-		-	
	970	4745	3428		3059		2619		1607		-		-		-		-		-		-	
3/4	1012	4951	3609		3251		2870		2087		-		-		-		-		-		-	
			13.3	0.69	12.6	0.73	11.8	0.74	11.6	0.62	-		-		-		-		-		-	
1	1040	5088	3728		3380		3028		2371		-		-		-		-		-		-	
			14.4	0.85	13.6	0.88	12.8	0.92	12.5	0.88	-		-		-		-		-		-	
1	1070	5235	3856		5616		3183		2653		1590		-		-		-		-		-	
			14.9	0.92	14.2	0.96	13.5	1.00	13.0	0.97	12.8	0.78	-		-		-		-		-	
1	1096	5362	3966		3633		3315		2861		1946		-		-		-		-		-	
			15.4	0.98	14.8	1.03	14.0	1.07	13.4	1.05	13.2	0.93	-		-		-		-		-	
1 1/2	1140	5577	4152		3831		3524		3148		2422		-		-		-		-		-	
			16.3	1.10	15.7	1.15	15.0	1.19	14.2	1.20	14.1	1.13	-		-		-		-		-	
	1180	5773	4320		4009		3709		3379		2817		1858		-		-		-		-	
			17.3	1.22	16.6	1.27	16.0	1.31	15.2	1.34	14.9	1.29	14.6	1.09	-		-		-		-	
1 1/2	1220	5969	4485		4186		3893		3597		3165		2352		-		-		-		-	
			18.1	1.34	17.6	1.40	16.8	1.44	16.1	1.48	15.6	1.45	15.4	1.33	-		-		-		-	
1 1/2	1255	6140	4629		4340		4054		3774		3399		2717		1704		-		-		-	
			18.7	1.46	18.1	1.52	17.4	1.56	16.8	1.61	16.1	1.59	15.9	1.51	15.7	1.20	-		-		-	

SX165BC | BELT DRIVE

HP	RPM	Tip Speed FPM	0.250" SP		0.500" SP		0.750" SP		1.000" SP		1.250" SP		1.500" SP		1.750" SP		2.000" SP		2.250" SP		2.500" SP			
			CFM		CFM		CFM		CFM		CFM		CFM		CFM		CFM		CFM		CFM		CFM	
			Sones	BHP	Sones	BHP	Sones	BHP	Sones	BHP	Sones	BHP	Sones	BHP	Sones	BHP	Sones	BHP	Sones	BHP	Sones	BHP	Sones	BHP
2	1280	6262	4731		4450		4168		3898		3553		2965		2082		-		-		-			
			19.1	1.54	18.6	1.60	17.9	1.65	17.3	1.70	16.5	1.70	16.3	1.64	16.1	1.42	-	-	-	-	-	-		
	1305	6384	4833		4559		4281		4016		3697		3201		2400		-		-		-			
			19.5	1.63	19.0	1.69	18.3	1.74	17.8	1.79	17.0	1.81	16.8	1.76	16.5	1.60	-	-	-	-	-	-		
	1330	6507	4936		4667		4394		4132		3839		3417		2670		-		-		-			
			19.9	1.72	19.5	1.79	18.8	1.83	18.3	1.89	17.6	1.92	17.2	1.88	17.0	1.75	-	-	-	-	-	-		
1355	6629	5036		4776		4507		4248		3975		3592		2929		2036		-		-				
		20.0	1.82	19.9	1.89	19.3	1.93	18.8	1.99	18.1	2.03	17.6	2.00	17.4	1.90	17.1	1.60	-	-	-	-			
1381	6756	5142		4888		4623		4368		4108		3762		3188		2397		-		-				
		21.0	1.92	20.0	1.99	19.8	2.04	19.3	2.09	18.7	2.15	18.0	2.13	17.9	2.06	17.6	1.85	-	-	-	-			
3	1420	6947	5300		5056		4798		4557		4305		3995		3548		2835		-		-			
			21.0	2.09	21.0	2.16	21.0	2.21	20.0	2.26	19.5	2.33	18.8	2.32	18.5	2.27	18.3	2.13	-	-	-	-		
	1460	7143	5461		5227		4976		4730		4494		4222		3855		3248		2480		-			
			22.0	2.26	22.0	2.34	21.0	2.40	21.0	2.45	20.0	2.51	19.6	2.54	19.2	2.50	19.0	2.40	18.8	2.16	-	-		
	1510	7387	5663		5440		5197		4958		4727		4486		4176		3724		3048		2197			
			23.0	2.50	23.0	2.58	22.0	2.65	22.0	2.69	21.0	2.75	21.0	2.81	20.0	2.79	19.9	2.73	19.7	2.57	19.4	2.18		
1550	7583	5824		5609		5372		5138		4911		4688		4408		4047		3459		2752				
		23.0	2.70	23.0	2.78	23.0	2.85	23.0	2.90	22.0	2.96	22.0	3.03	21.0	3.03	21.0	2.98	20.0	2.88	20.0	2.64			
1582	7740	5952		5744		5512		5282		5058		4842		4589		4265		3769		3111				
		24.0	2.87	24.0	2.95	23.0	3.02	23.0	3.07	23.0	3.13	22.0	3.20	22.0	3.23	21.0	3.19	21.0	3.12	21.0	2.93			

Performance certified is for installation Type A: free inlet, free outlet. Power rating (BHP) does not include transmission losses. Performance ratings do not include the effects of appurtenances. The sound ratings shown are loudness values in fan sones at 1.5 m (5 ft) in a hemispherical free field calculated per AMCA International Standard 301. Values shown are for Installation Type A: free inlet hemispherical sone levels. For models shown on this page, the AMCA Certified Ratings Seal applies to air and sound.

SX205BC | BELT DRIVE



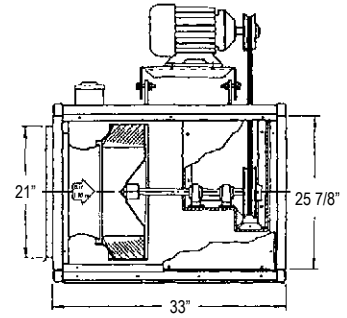
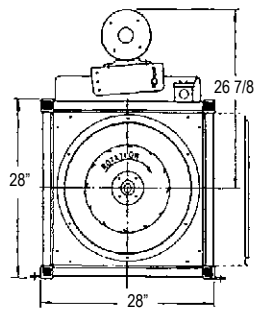
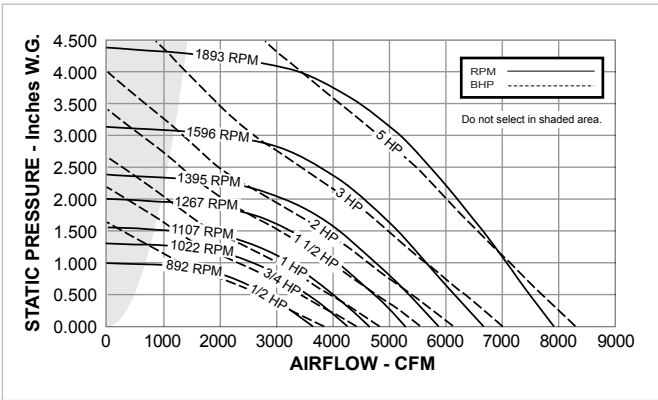
HP	RPM	Tip Speed FPM	0.250" SP		0.500" SP		0.750" SP		1.000" SP		1.250" SP		1.500" SP		1.750" SP		2.000" SP		2.250" SP		2.500" SP	
			CFM	Sones	BHP	CFM	Sones	BHP	CFM	Sones	BHP	CFM	Sones	BHP	CFM	Sones	BHP	CFM	Sones	BHP	CFM	Sones
1/4	550	2916	2062	-	-	-	-	-	-	-	-	-	-	-	-	-	-	-	-	-	-	-
	634	3361	2702	-	-	-	-	-	-	-	-	-	-	-	-	-	-	-	-	-	-	-
1/3	660	3499	2875	-	-	-	-	-	-	-	-	-	-	-	-	-	-	-	-	-	-	-
	687	3642	3049	1925	-	-	-	-	-	-	-	-	-	-	-	-	-	-	-	-	-	-
1/2	720	3817	3259	2345	-	-	-	-	-	-	-	-	-	-	-	-	-	-	-	-	-	-
	755	4003	3478	2710	-	-	-	-	-	-	-	-	-	-	-	-	-	-	-	-	-	-
	787	4172	3676	2995	-	-	-	-	-	-	-	-	-	-	-	-	-	-	-	-	-	-
3/4	825	4374	3809	3306	-	-	-	-	-	-	-	-	-	-	-	-	-	-	-	-	-	-
	865	4586	4147	3603	2682	-	-	-	-	-	-	-	-	-	-	-	-	-	-	-	-	-
	901	4777	4358	3851	3074	-	-	-	-	-	-	-	-	-	-	-	-	-	-	-	-	-
1	925	4904	4498	4012	3322	-	-	-	-	-	-	-	-	-	-	-	-	-	-	-	-	-
	950	5036	4642	4174	3549	-	-	-	-	-	-	-	-	-	-	-	-	-	-	-	-	-
	976	5174	4792	4341	3772	2800	-	-	-	-	-	-	-	-	-	-	-	-	-	-	-	-
1 1/2	1010	5354	4988	4557	4046	3225	-	-	-	-	-	-	-	-	-	-	-	-	-	-	-	-
	1045	5540	5188	4777	4310	3598	-	-	-	-	-	-	-	-	-	-	-	-	-	-	-	-
	1080	5726	5387	4995	4557	3947	2916	-	-	-	-	-	-	-	-	-	-	-	-	-	-	-
	1118	5927	5602	5229	4815	4279	3478	-	-	-	-	-	-	-	-	-	-	-	-	-	-	-

SX205BC | BELT DRIVE

HP	RPM	Tip Speed FPM	0.250" SP		0.500" SP		0.750" SP		1.000" SP		1.250" SP		1.500" SP		1.750" SP		2.000" SP		2.250" SP		2.500" SP			
			CFM		CFM		CFM		CFM		CFM		CFM		CFM		CFM		CFM		CFM		CFM	
			Sones	BHP	Sones	BHP	Sones	BHP	Sones	BHP	Sones	BHP	Sones	BHP	Sones	BHP	Sones	BHP	Sones	BHP	Sones	BHP	Sones	BHP
2	1150	6027	5783		5425		5025		4543		3830		-		-		-		-		-		-	
			19.6	1.59	17.8	1.66	15.7	1.73	15.6	1.76	15.4	1.74	-	-	-	-	-	-	-	-	-	-	-	-
	1180	6256	5951		5608		5218		4780		4143		3121		-		-		-		-		-	
			20.0	1.71	18.6	1.79	16.6	1.86	16.2	1.90	16.1	1.89	15.8	1.71	-	-	-	-	-	-	-	-	-	-
	1205	6388	6092		5758		5378		4965		4391		3531		-		-		-		-		-	
21.0			1.82	19.5	1.90	17.4	1.97	16.7	2.02	16.7	2.02	16.4	1.92	-	-	-	-	-	-	-	-	-	-	
1230	6521	6231		5905		5537		5144		4613		3873		-		-		-		-		-		
		22.0	1.93	20.0	2.01	18.2	2.09	17.2	2.14	17.3	2.15	17.0	2.09	-	-	-	-	-	-	-	-	-	-	
3	1265	6706	6427		6110		5757		5384		4912		4251		-		-		-		-		-	
			23.0	2.09	22.0	2.18	19.6	2.26	18.1	2.32	18.1	2.34	17.9	2.32	-	-	-	-	-	-	-	-	-	-
	1300	6892	6622		6313		5976		5620		5192		4615		3831		-		-		-		-	
			24.0	2.26	23.0	2.36	21.0	2.44	19.3	2.50	19.0	2.54	18.8	2.53	18.7	2.41	-	-	-	-	-	-	-	-
	1340	7104	6844		6545		6224		5880		5499		4989		4310		-		-		-		-	
			25.0	2.47	24.0	2.57	23.0	2.65	21.0	2.73	20.0	2.78	19.9	2.78	19.8	2.72	-	-	-	-	-	-	-	-
	1380	7316	7065		6776		6471		6138		5786		5333		4734		3957		-		-		-	
26.0			2.69	26.0	2.79	24.0	2.88	23.0	2.97	22.0	3.02	21.0	3.04	21.0	3.02	21.0	2.85	-	-	-	-	-	-	
1408	7464	7220		6937		6642		6316		5977		5560		5024		4324		-		-		-		
		27.0	2.86	27.0	2.96	26.0	3.05	24.0	3.14	23.0	3.20	22.0	3.23	22.0	3.21	22.0	3.11	-	-	-	-	-	-	

Performance certified is for installation Type A: free inlet, free outlet. Power rating (BHP) does not include transmission losses. Performance ratings do not include the effects of appurtenances. The sound ratings shown are loudness values in fan sones at 1.5 m (5 ft) in a hemispherical free field calculated per AMCA International Standard 301. Values shown are for Installation Type A: free inlet hemispherical sone levels. For models shown on this page, the AMCA Certified Ratings Seal applies to air and sound.

SX205BHC | BELT DRIVE



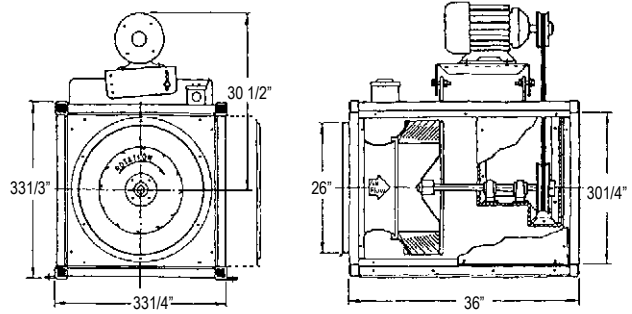
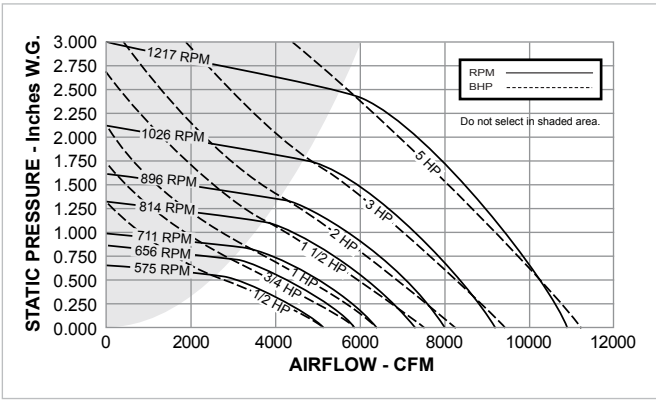
HP	RPM	Tip Speed FPM	0.250" SP		0.500" SP		0.750" SP		1.000" SP		1.250" SP		1.500" SP		1.750" SP		2.000" SP		2.250" SP		2.500" SP		
			CFM		CFM		CFM		CFM		CFM		CFM		CFM		CFM		CFM		CFM		
			Sones	BHP	Sones	BHP	Sones	BHP	Sones	BHP	Sones	BHP	Sones	BHP	Sones	BHP	Sones	BHP	Sones	BHP	Sones	BHP	Sones
1/2	800	4241	987	-	-	-	-	-	-	-	-	-	-	-	-	-	-	-	-	-	-	-	-
	892	4729	8.2 0.31	-	-	-	-	-	-	-	-	-	-	-	-	-	-	-	-	-	-	-	-
3/4	975	5169	2204	-	-	-	-	-	-	-	-	-	-	-	-	-	-	-	-	-	-	-	-
	1022	5418	9.4 0.56	-	-	-	-	-	-	-	-	-	-	-	-	-	-	-	-	-	-	-	-
1	1075	5699	2793	2050	-	-	-	-	-	-	-	-	-	-	-	-	-	-	-	-	-	-	-
	1107	5869	10.7 0.73	10.9 0.71	-	-	-	-	-	-	-	-	-	-	-	-	-	-	-	-	-	-	-
1 1/2	1175	6229	3081	2483	-	-	-	-	-	-	-	-	-	-	-	-	-	-	-	-	-	-	-
	1225	6494	11.3 0.84	11.5 0.85	-	-	-	-	-	-	-	-	-	-	-	-	-	-	-	-	-	-	-
2	1300	6892	3373	2886	2127	-	-	-	-	-	-	-	-	-	-	-	-	-	-	-	-	-	-
	1340	7104	12.2 0.97	12.3 0.99	12.6 0.94	-	-	-	-	-	-	-	-	-	-	-	-	-	-	-	-	-	-
3	1440	7634	3546	3106	2463	-	-	-	-	-	-	-	-	-	-	-	-	-	-	-	-	-	-
	1480	7846	12.8 1.05	12.9 1.07	13.1 1.06	-	-	-	-	-	-	-	-	-	-	-	-	-	-	-	-	-	-
4	1525	8085	3909	3529	3024	2300	-	-	-	-	-	-	-	-	-	-	-	-	-	-	-	-	-
	1550	8217	14.0 1.25	14.1 1.28	14.2 1.29	14.5 1.22	-	-	-	-	-	-	-	-	-	-	-	-	-	-	-	-	-
5	1575	8350	4170	3806	3393	2810	1660	-	-	-	-	-	-	-	-	-	-	-	-	-	-	-	-
	1596	8461	14.9 1.41	15.0 1.43	15.1 1.46	15.3 1.44	15.7 1.18	-	-	-	-	-	-	-	-	-	-	-	-	-	-	-	-
6	1640	8634	4383	4034	3658	3159	2458	-	-	-	-	-	-	-	-	-	-	-	-	-	-	-	-
	1680	8846	15.8 1.55	15.8 1.57	15.9 1.61	16.0 1.61	16.2 1.52	-	-	-	-	-	-	-	-	-	-	-	-	-	-	-	-
7	1725	9059	4546	4212	3862	3410	2822	1284	-	-	-	-	-	-	-	-	-	-	-	-	-	-	-
	1770	9271	16.3 1.66	16.4 1.69	16.5 1.73	16.6 1.74	16.8 1.70	17.4 1.20	-	-	-	-	-	-	-	-	-	-	-	-	-	-	-
8	1815	9484	4741	4425	4092	3704	3187	2445	-	-	-	-	-	-	-	-	-	-	-	-	-	-	-
	1860	9697	17.1 1.80	17.2 1.85	17.2 1.89	17.3 1.91	17.5 1.91	17.7 1.76	-	-	-	-	-	-	-	-	-	-	-	-	-	-	-
9	1905	9910	4911	4609	4284	3926	3462	2857	1164	-	-	-	-	-	-	-	-	-	-	-	-	-	-
	1950	10123	17.8 1.94	17.9 2.00	18.0 2.03	18.0 2.06	18.2 2.06	18.3 1.99	19.0 1.32	-	-	-	-	-	-	-	-	-	-	-	-	-	-
10	1995	10336	5008	4714	4394	4051	3614	3068	2079	-	-	-	-	-	-	-	-	-	-	-	-	-	-
	2040	10549	18.2 2.02	18.3 2.08	18.4 2.11	18.4 2.15	18.6 2.15	18.7 2.11	19.1 1.83	-	-	-	-	-	-	-	-	-	-	-	-	-	-
11	2085	10762	5224	4947	4637	4327	3952	3471	2828	-	-	-	-	-	-	-	-	-	-	-	-	-	-
	2130	10975	18.8 2.20	18.9 2.28	19.0 2.30	19.0 2.35	19.2 2.37	19.3 2.37	19.6 2.25	-	-	-	-	-	-	-	-	-	-	-	-	-	-
12	2175	11188	5417	5145	4851	4549	4208	3778	3258	2401	-	-	-	-	-	-	-	-	-	-	-	-	-
	2220	11401	19.4 2.37	19.5 2.46	19.6 2.50	19.6 2.54	19.8 2.57	19.9 2.57	20.0 2.52	20.0 2.27	-	-	-	-	-	-	-	-	-	-	-	-	-
13	2265	11614	5632	5366	5089	4796	4489	4117	3663	3060	-	-	-	-	-	-	-	-	-	-	-	-	-
	2310	11827	20.0 2.58	20.0 2.67	20.0 2.72	20.0 2.76	20.0 2.80	21.0 2.81	21.0 2.81	21.0 2.69	-	-	-	-	-	-	-	-	-	-	-	-	-
14	2355	12040	5752	5488	5220	4931	4643	4294	3856	3332	-	-	-	-	-	-	-	-	-	-	-	-	-
	2400	12253	21.0 2.70	21.0 2.79	21.0 2.86	21.0 2.88	21.0 2.94	21.0 2.95	21.0 2.96	21.0 2.88	-	-	-	-	-	-	-	-	-	-	-	-	-
15	2445	12466	5870	5609	5350	5066	4783	4453	4047	3570	-	-	-	-	-	-	-	-	-	-	-	-	-
	2490	12679	21.0 2.82	21.0 2.92	21.0 2.99	21.0 3.01	21.0 3.07	21.0 3.09	22.0 3.10	22.0 3.06	-	-	-	-	-	-	-	-	-	-	-	-	-
16	2535	12892	5970	5711	5459	5179	4900	4585	4206	3759	1769	-	-	-	-	-	-	-	-	-	-	-	-
	2580	13105	21.0 2.93	21.0 3.02	21.0 3.11	22.0 3.13	22.0 3.18	22.0 3.22	22.0 3.23	22.0 3.21	23.0 2.35	-	-	-	-	-	-	-	-	-	-	-	-

SX205BHC | BELT DRIVE

HP	RPM	Tip Speed FPM	0.250" SP		0.500" SP		0.750" SP		1.000" SP		1.250" SP		1.500" SP		1.750" SP		2.000" SP		2.250" SP		2.500" SP			
			CFM		CFM		CFM		CFM		CFM		CFM		CFM		CFM		CFM		CFM		CFM	
			Sones	BHP	Sones	BHP	Sones	BHP	Sones	BHP	Sones	BHP	Sones	BHP	Sones	BHP	Sones	BHP	Sones	BHP	Sones	BHP	Sones	BHP
5	1650	8747	6224		5971		5729		5466		5195		4920		4593		4188		3106		-			
			22.0	3.21	22.0	3.32	22.0	3.41	22.0	3.45	22.0	3.49	22.0	3.54	23.0	3.56	23.0	3.56	23.0	3.33	-			
	1700	9012	6458		6212		5975		5729		5466		5204		4908		4566		3673		-			
			23.0	3.49	23.0	3.60	23.0	3.70	23.0	3.77	23.0	3.79	23.0	3.85	23.0	3.88	23.0	3.90	24.0	3.80	-			
	1750	9278	6689		6452		6219		5989		5733		5478		5218		4910		4132		2819			
			23.0	3.79	23.0	3.90	24.0	4.01	24.0	4.10	24.0	4.13	24.0	4.17	24.0	4.23	24.0	4.25	24.0	4.24	25.0	3.74		
	1800	9543	6915		6690		6461		6239		5998		5750		5502		5224		4531		3572			
			25.0	4.10	25.0	4.22	25.0	4.33	25.0	4.43	25.0	4.48	25.0	4.51	25.0	4.57	25.0	4.61	25.0	4.63	26.0	4.40		
	1840	9755	7096		6880		6653		6436		6208		5965		5722		5472		4835		4008			
			26.0	4.36	26.0	4.49	26.0	4.60	26.0	4.71	26.0	4.78	26.0	4.80	26.0	4.86	26.0	4.91	26.0	4.94	26.0	4.84		
	1875	9940	7254		7045		6821		6608		6390		6151		5913		5676		5097		4327			
			27.0	4.59	27.0	4.73	27.0	4.85	27.0	4.96	27.0	5.05	27.0	5.07	27.0	5.12	27.0	5.18	27.0	5.23	27.0	5.18		
1893	10036	7334		7130		6908		6695		6483		6247		6011		5776		5226		4488				
		29.0	4.72	29.0	4.86	29.0	4.98	29.0	5.09	29.0	5.19	29.0	5.22	29.0	5.25	29.0	5.32	29.0	5.38	29.0	5.37			

Performance certified is for installation type A: Free Inlet, Free Outlet. Power rating (BHP) does not include transmission losses. For further information on estimating belt drive losses and motor service factors see page 13. The sound ratings shown are for loudness values in fan sones at 5'0" (1.5m) in a hemispherical free field calculated per AMCA International Standard 301. Values shown are for installation Type A: free inlet hemispherical sone levels. Performance ratings do not include the effects of appurtenances.

SX225BC | BELT DRIVE



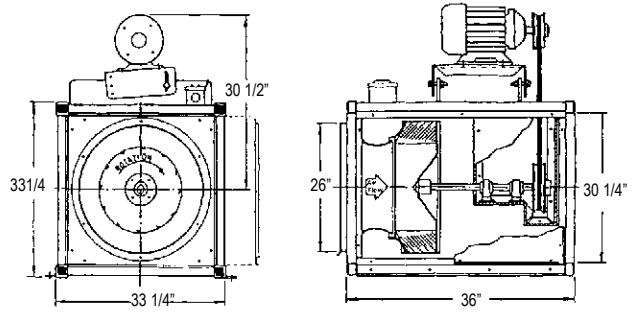
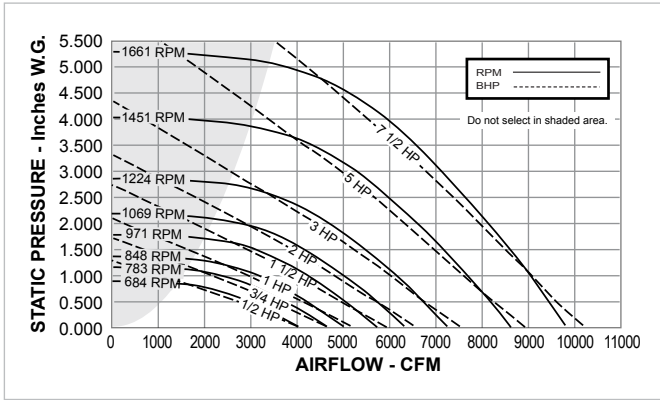
HP	RPM	Tip Speed FPM	0.250" SP		0.500" SP		0.750" SP		1.000" SP		1.250" SP		1.500" SP		1.750" SP		2.000" SP		2.250" SP		2.500" SP					
			CFM		CFM		CFM		CFM		CFM		CFM		CFM		CFM		CFM		CFM		CFM			
			Sones	BHP	Sones	BHP	Sones	BHP	Sones	BHP	Sones	BHP	Sones	BHP	Sones	BHP	Sones	BHP	Sones	BHP	Sones	BHP	Sones	BHP		
1/2	525	3410	3831		-		-		-		-		-		-		-		-		-		-			
			6.8	0.43	-		-		-		-		-		-		-		-		-		-		-	
1/2	573	3722	4382		3145		-		-		-		-		-		-		-		-		-			
			8.1	0.55	7.8	0.55	-		-		-		-		-		-		-		-		-		-	
3/4	615	3995	4839		3802		-		-		-		-		-		-		-		-		-			
			9.9	0.67	8.7	0.69	-		-		-		-		-		-		-		-		-		-	
3/4	656	4261	5266		4343		-		-		-		-		-		-		-		-		-			
			10.6	0.81	9.6	0.84	-		-		-		-		-		-		-		-		-		-	
1	670	4352	5407		4518		3182		-		-		-		-		-		-		-		-			
			10.9	0.86	9.8	0.90	9.9	0.84	-		-		-		-		-		-		-		-		-	
			5608		4773		3628		-		-		-		-		-		-		-		-		-	
1	690	4482	11.3		0.93		10.2		0.98		10.3		0.95		-		-		-		-		-			
			11.8	1.02	10.5	1.07	10.9	1.06	-		-		-		-		-		-		-		-		-	
1 1/2	711	4618	5817		5037		4012		-		-		-		-		-		-		-		-			
			6055		5328		4392		-		-		-		-		-		-		-		-		-	
			12.6	1.12	11.3	1.18	11.6	1.18	-		-		-		-		-		-		-		-		-	
1 1/2	760	4937	6302		5623		4752		-		-		-		-		-		-		-		-			
			13.7		1.23		12.4		1.29		12.4		1.31		-		-		-		-		-		-	
			15.0	1.35	13.8	1.42	13.1	1.44	12.9	1.38	-		-		-		-		-		-		-		-	
1 1/2	785	5099	6548		5910		5086		3949		-		-		-		-		-		-		-			
			6830		6239		5451		4512		-		-		-		-		-		-		-		-	
			15.5	1.50	14.6	1.58	13.7	1.61	13.8	1.58	-		-		-		-		-		-		-		-	
2	830	5391	6983		6419		5654		4784		-		-		-		-		-		-		-			
			15.6		1.59		14.9		1.67		13.9		1.70		14.3		1.69		-		-		-		-	
			7174		6635		5908		5091		-		-		-		-		-		-		-		-	
			16.0	1.70	15.4	1.78	14.3	1.83	14.8	1.82	-		-		-		-		-		-		-		-	
2	875	5684	7412		6900		6220		5451		4357		-		-		-		-		-		-			
			16.7	1.84	16.2	1.94	14.8	1.99	15.5	2.00	15.4	1.90	-		-		-		-		-		-			
2	896	5820	7611		7121		6475		5734		4789		-		-		-		-		-		-			
			17.3	1.97	17.0	2.07	15.5	2.13	16.1	2.15	16.0	2.08	-		-		-		-		-		-			
3	920	5976	7838		7369		6762		6044		5217		-		-		-		-		-		-			
			18.3		2.13		18.0		2.23		16.6		2.30		16.5		2.32		16.7		2.29		-		-	
	3	945	6183	8074		7621		7051		6358		5611		4433		-		-		-		-		-		
				19.3		2.30		19.0		2.41		17.8		2.48		17.1		2.51		17.4		2.50		17.3		2.33
	3	970	6301	8310		7872		7336		6677		5979		5012		-		-		-		-		-		
				21.0		2.48		20.0		2.60		18.9		2.68		18.0		2.72		18.1		2.72		18.0		2.62
3	995	6463	8544		8122		7620		6992		6321		5492		-		-		-		-		-			
			21.0		2.67		21.0		2.79		19.9		2.88		18.9		2.93		18.7		2.94		18.8		2.88	
3	1026	6665	8835		8431		7966		7373		6725		6005		4927		-		-		-		-			
			22.0		2.92		22.0		2.92		20.0		3.15		19.6		3.20		19.6		3.22		19.6		3.20	

SX225BC | BELT DRIVE

HP	RPM	Tip Speed FPM	0.250" SP		0.500" SP		0.750" SP		1.000" SP		1.250" SP		1.500" SP		1.750" SP		2.000" SP		2.250" SP		2.500" SP			
			CFM		CFM		CFM		CFM		CFM		CFM		CFM		CFM		CFM		CFM		CFM	
			Sones	BHP	Sones	BHP	Sones	BHP	Sones	BHP	Sones	BHP	Sones	BHP	Sones	BHP	Sones	BHP	Sones	BHP	Sones	BHP	Sones	BHP
5	1060	6886	9153		8767		8327		7782		7152		6513		5663		-		-		-			
			22.0	3.21	22.0	3.35	21.0	3.45	20.0	3.52	20.0	3.55	21.0	3.55	20.0	3.45	-		-		-			
	1090	7080	9433		9062		8644		8128		7535		6925		6197		5085		-		-			
			23.0	3.48	23.0	3.63	22.0	3.74	21.0	3.81	21.0	3.85	21.0	3.87	21.0	3.81	21.0	3.57	-		-			
	1120	7275	9712		9356		8957		8471		7912		7317		6667		5786		-		-			
			24.0	3.77	23.0	3.92	23.0	4.04	22.0	4.12	22.0	4.17	22.0	4.19	22.0	4.17	22.0	4.03	-		-			
	1160	7535	10084		9743		9361		8923		8399		7820		7246		6534		5500		-		-	
			25.0	4.18	25.0	4.33	24.0	4.46	23.0	4.56	23.0	4.62	23.0	4.65	24.0	4.66	23.0	4.58	23.0	4.34	-		-	
	1190	7730	10362		10030		9662		9254		8757		8203		7649		7015		6179		-		-	
			26.0	4.50	26.0	4.66	25.0	4.79	24.0	4.90	24.0	4.97	24.0	5.01	24.0	5.03	24.0	4.99	24.0	4.84	-		-	
	1217	7905	10612		10287		9932		9541		9068		8543		7995		7422		6698		5631		-	
			27.0	4.81	27.0	4.97	26.0	5.11	25.0	5.23	25.0	5.30	25.0	5.36	25.0	5.38	25.0	5.37	25.0	5.26	25.0	4.95	-	

Performance certified is for installation Type A: free inlet, free outlet. Power rating (BHP) does not include transmission losses. Performance ratings do not include the effects of appurtenances. The sound ratings shown are loudness values in fan sones at 1.5 m (5 ft) in a hemispherical free field calculated per AMCA International Standard 301. Values shown are for Installation Type A: free inlet hemispherical sone levels. For models shown on this page, the AMCA Certified Ratings Seal applies to air and sound.

SX225BHC | BELT DRIVE



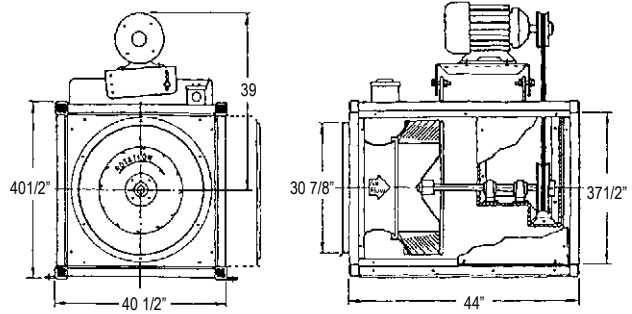
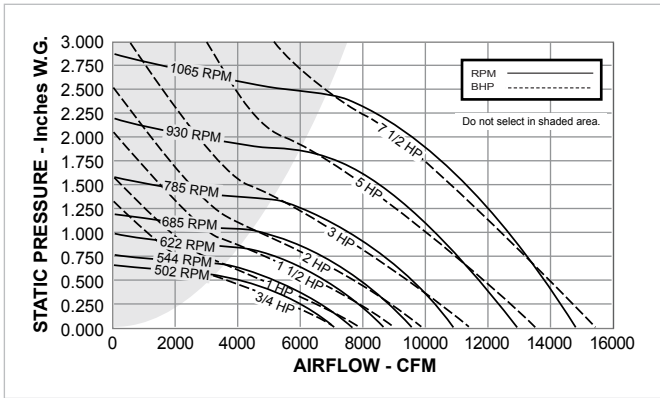
HP	RPM	Tip Speed FPM	0.750" SP		1.000" SP		1.250" SP		1.500"		1.750" SP		2.000" SP		2.250" SP		2.500" SP		3.000" SP		3.500" SP	
			CFM		CFM		CFM		CFM		CFM		CFM		CFM		CFM		CFM		CFM	
			Sones	BHP	Sones	BHP	Sones	BHP	Sones	BHP	Sones	BHP	Sones	BHP	Sones	BHP	Sones	BHP	Sones	BHP	Sones	BHP
1	684	4443	2184		-		-		-		-		-		-		-		-		-	
			9.0	0.55	-		-		-		-		-		-		-		-		-	
	725	4709	2626		-		-		-		-		-		-		-		-		-	
9.7			0.67	-		-		-		-		-		-		-		-		-		
3/4	783	5086	3168		2429		-		-		-		-		-		-		-		-	
			10.6	0.84	10.8	0.82	-		-		-		-		-		-		-			
	810	5262	3401		2742		-		-		-		-		-		-		-		-	
11.1			0.93	11.3	0.92	-		-		-		-		-		-		-				
1	848	5508	3716		3139		2286		-		-		-		-		-		-		-	
			11.9	1.07	12.0	1.07	12.2	1.00	-		-		-		-		-		-			
	1 1/2	875	5684	3934		3391		2709		-		-		-		-		-		-		-
12.5				1.18	12.6	1.18	12.8	1.15	-		-		-		-		-		-			
925		6009	4318		3840		3274		2436		-		-		-		-		-		-	
	13.7		1.38	13.6	1.39	13.8	1.39	14.1	1.29	-		-		-		-		-				
2	1000	6496	4874		4461		3992		3444		2647		-		-		-		-		-	
			15.2	1.72	15.2	1.76	15.3	1.76	15.5	1.74	15.8	1.63	-		-		-		-			
	1035	6723	5123		4733		4300		3811		3201		-		-		-		-		-	
15.9			1.90	16.0	1.94	16.0	1.95	16.2	1.95	16.5	1.89	-		-		-		-				
3	1069	6944	5362		4993		4585		4129		3601		2829		-		-		-		-	
			16.8	2.09	16.8	2.13	16.9	2.15	17.0	2.15	17.2	2.12	17.5	2.00	-		-		-			
	1110	7210	5648		5303		4923		4505		4039		3472		2485		-		-		-	
			17.7	2.33	17.8	2.37	17.9	2.41	18.0	2.40	18.1	2.41	18.3	2.34	18.7	2.07	-		-			
1150	7470	5924		5595		5236		4847		4417		3927		3280		-		-		-		
		18.5	2.58	18.6	2.62	18.7	2.67	18.8	2.68	18.9	2.68	19.1	2.65	19.4	2.55	-		-				
1190	7730	6199		5879		5543		5180		4785		4352		3842		3057		-		-		
		19.4	2.84	19.5	2.89	19.5	2.94	19.6	2.97	19.8	2.96	19.9	2.97	20.0	2.90	20.0	2.72	-		-		
5	1224	7951	6430		6119		5801		5458		5083		4672		4211		3641		-		-	
			20.0	3.08	20.0	3.14	20.0	3.18	20.0	3.23	20.0	3.22	21.0	3.23	21.0	3.19	21.0	3.11	-		-	
	1275	8282	6775		6475		6178		5854		5509		5141		4737		4274		2676		-	
21.0			3.45	21.0	3.54	21.0	3.57	21.0	3.62	22.0	3.65	22.0	3.64	22.0	3.65	22.0	3.60	23.0	3.06	-		
1325	8607	7110		6821		6535		6235		5919		5573		5203		4809		3738		-		
		22.0	3.85	22.0	3.95	23.0	3.99	23.0	4.04	23.0	4.10	23.0	4.09	23.0	4.09	23.0	4.09	24.0	3.88	-		
	1375	8932	7442		7164		6887		6611		6306		5989		5654		5284		4446		2794	
24.0			4.28	24.0	4.38	24.0	4.45	24.0	4.49	24.0	4.55	24.0	4.58	24.0	4.57	24.0	4.57	25.0	4.48	25.0	3.79	
1425	9256	7761		7504		7236		6970		6688		6394		6075		5744		4987		3930		
		25.0	4.73	25.0	4.85	25.0	4.94	25.0	4.98	25.0	5.03	25.0	5.09	25.0	5.09	25.0	5.09	26.0	5.06	26.0	4.79	
	1451	9425	7927		7680		7416		7155		6884		6595		6291		5974		5263		4347	
26.0			4.98	26.0	5.10	26.0	5.21	26.0	5.25	26.0	5.29	26.0	5.36	26.0	5.38	26.0	5.37	26.0	5.37	27.0	5.19	

SX225BHC | BELT DRIVE

HP	RPM	Tip Speed FPM	0.750" SP		1.000" SP		1.250" SP		1.500"		1.750" SP		2.000" SP		2.250" SP		2.500" SP		3.000" SP		3.500" SP			
			CFM		CFM		CFM		CFM		CFM		CFM		CFM		CFM		CFM		CFM		CFM	
			Sones	BHP	Sones	BHP	Sones	BHP	Sones	BHP	Sones	BHP	Sones	BHP	Sones	BHP	Sones	BHP	Sones	BHP	Sones	BHP	Sones	BHP
7 1/2	1500	9744	8237		8010		7754		7501		7248		6972		6692		6386		5730		4964			
			26.0	5.47	27.0	5.61	27.0	5.72	27.0	5.78	27.0	5.82	27.0	5.88	27.0	5.95	27.0	5.94	28.0	5.94	28.0	5.84		
	1550	10068	8553		8344		8097		7850		7606		7351		7080		6800		6191		5502			
			27.0	6.01	28.0	6.15	28.0	6.27	28.0	6.36	28.0	6.40	28.0	6.45	28.0	6.52	29.0	6.56	29.0	6.55	29.0	6.52		
	1585	10296	8773		8576		8335		8093		7854		7613		7349		7085		6506		5859			
			29.0	6.40	29.0	6.56	29.0	6.68	29.0	6.79	29.0	6.83	29.0	6.88	29.0	6.94	29.0	7.01	30.0	7.00	30.0	7.01		
	1610	10458	8930		8736		8504		8266		8030		7795		7539		7279		6718		6094			
29.0			6.69	30.0	6.85	30.0	6.98	30.0	7.10	30.0	7.15	30.0	7.19	30.0	7.26	30.0	7.33	30.0	7.34	30.0	7.34			
1635	10621	9087		8895		8673		8438		8206		7974		7728		7472		6927		6327				
		30.0	6.99	30.0	7.16	30.0	7.29	30.0	7.41	30.0	7.48	30.0	7.52	31.0	7.58	31.0	7.65	31.0	7.69	31.0	7.69			
1661	10789	9249		9061		8848		8617		8387		8159		7924		7672		7144		6567				
		31.0	7.32	31.0	7.48	31.0	7.62	31.0	7.74	31.0	7.83	31.0	7.88	31.0	7.93	31.0	8.00	31.0	8.07	32.0	8.06			

Performance certified is for installation Type A: free inlet, free outlet. Power rating (BHP) does not include transmission losses. Performance ratings do not include the effects of appurtenances. The sound ratings shown are loudness values in fan sones at 1.5 m (5 ft) in a hemispherical free field calculated per AMCA International Standard 301. Values shown are for Installation Type A: free inlet hemispherical sone levels. For models shown on this page, the AMCA Certified Ratings Seal applies to air and sound.

SX275BC | BELT DRIVE



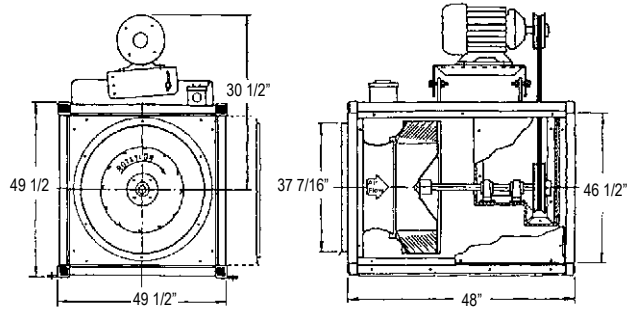
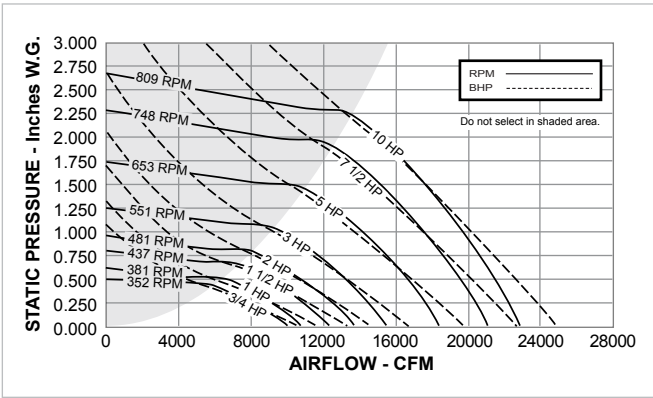
HP	RPM	Tip Speed FPM	0.250" SP		0.500" SP		0.750" SP		1.000" SP		1.250" SP		1.500" SP		1.750" SP		2.000" SP		2.250" SP		2.500" SP	
			CFM		CFM		CFM		CFM		CFM		CFM		CFM		CFM		CFM		CFM	
			Sones	BHP	Sones	BHP	Sones	BHP	Sones	BHP	Sones	BHP	Sones	BHP	Sones	BHP	Sones	BHP	Sones	BHP	Sones	BHP
3/4	400	3207	4486		-		-		-		-		-		-		-		-		-	
			5.9	0.42	-		-		-		-		-		-		-		-		-	
	502	4025	6366		4943		-		-		-		-		-		-		-		-	
			11.2	0.82	8.5	0.84	-		-		-		-		-		-		-		-	
1	520	4169	6678		5370		-		-		-		-		-		-		-		-	
			11.4	0.90	8.8	0.94	-		-		-		-		-		-		-		-	
	544	4362	7090		5897		-		-		-		-		-		-		-		-	
			11.9	1.02	9.5	1.07	-		-		-		-		-		-		-		-	
1 1/2	570	4570	7523		6430		4759		-		-		-		-		-		-		-	
			12.6	1.17	10.6	1.22	10.0	1.20	-		-		-		-		-		-		-	
	595	4770	7928		6917		5530		-		-		-		-		-		-		-	
			13.7	1.31	11.9	1.39	10.8	1.39	-		-		-		-		-		-		-	
	622	4987	8363		7424		6228		-		-		-		-		-		-		-	
			14.8	1.49	13.3	1.58	11.6	1.60	-		-		-		-		-		-		-	
	635	5091	8571		7666		6535		4583		-		-		-		-		-		-	
			14.9	1.58	13.6	1.68	11.8	1.71	11.8	1.60	-		-		-		-		-		-	
2	650	5211	8810		7938		6870		5209		-		-		-		-		-		-	
			15.0	1.68	14.0	1.80	12.1	1.83	12.3	1.77	-		-		-		-		-		-	
	665	5332	9049		8207		7196		5722		-		-		-		-		-		-	
			15.2	1.80	14.3	1.92	12.5	1.95	12.9	1.92	-		-		-		-		-		-	
	685	5492	9366		8563		7611		6329		-		-		-		-		-		-	
			15.5	1.96	14.8	2.09	12.9	2.13	13.6	2.12	-		-		-		-		-		-	
	710	5693	9760		9004		8112		6992		5126		-		-		-		-		-	
			16.0	2.17	15.3	2.31	13.8	2.36	14.4	2.39	14.2	2.24	-		-		-		-		-	
3	735	5893	10153		9437		8591		7586		6115		-		-		-		-		-	
			16.9	2.39	16.2	2.54	14.8	2.62	14.7	2.65	15.3	2.58	-		-		-		-		-	
	760	6093	10544		9867		9060		8141		6907		-		-		-		-		-	
			17.9	2.63	17.2	2.79	16.0	2.88	15.1	2.92	16.3	2.89	-		-		-		-		-	
	785	6294	10933		10294		9522		8666		7593		5941		-		-		-		-	
			19.1	2.89	18.4	3.06	17.2	3.17	16.0	3.21	17.4	3.22	17.1	3.08	-		-		-		-	
	815	6534	11398		10784		10061		9271		8329		7025		-		-		-		-	
			20.0	3.22	19.1	3.40	18.1	3.53	17.0	3.58	17.6	3.61	18.3	3.53	-		-		-		-	
5	840	6735	11784		11189		10507		9755		8888		7780		6061		-		-		-	
			21.0	3.51	19.7	3.70	18.8	3.85	17.7	3.91	17.8	3.94	19.3	3.91	19.0	3.71	-		-		-	
	870	6975	12247		11672		11035		10320		9532		8575		7247		-		-		-	
			22.0	3.88	21.0	4.08	20.0	4.25	19.0	4.33	18.4	4.37	20.0	4.39	20.0	4.27	-		-		-	
	900	7216	12708		12153		11555		10878		10143		9286		8195		6577		-		-	
			23.0	4.28	23.0	4.49	22.0	4.67	21.0	4.78	19.9	4.82	21.0	4.86	22.0	4.80	21.0	4.59	-		-	
	930	7456	13168		12631		12071		11419		10733		9953		9014		7745		-		-	
			25.0	4.71	25.0	4.92	24.0	5.12	23.0	5.25	22.0	5.31	22.0	5.34	23.0	5.35	23.0	5.22	-		-	

SX275BC | BELT DRIVE

HP	RPM	Tip Speed FPM	0.250" SP		0.500" SP		0.750" SP		1.000" SP		1.250" SP		1.500" SP		1.750" SP		2.000" SP		2.250" SP		2.500" SP			
			CFM		CFM		CFM		CFM		CFM		CFM		CFM		CFM		CFM		CFM		CFM	
			Sones	BHP	Sones	BHP	Sones	BHP	Sones	BHP	Sones	BHP	Sones	BHP	Sones	BHP	Sones	BHP	Sones	BHP	Sones	BHP	Sones	BHP
7 1/2	950	7617	13473		12949		12413		11777		11112		10379		9511		8395		6753		-			
			27.0	5.01	26.0	5.23	25.0	5.44	24.0	5.58	23.0	5.65	23.0	5.69	23.0	5.72	24.0	5.62	23.0	5.34	-			
	970	7777	13779		13265		12749		12133		11488		10790		9983		8985		7623		-			
			28.0	5.32	27.0	5.55	27.0	5.76	26.0	5.92	25.0	6.00	24.0	6.04	24.0	6.08	24.0	6.03	24.0	5.86	-			
	995	7978	14160		13660		13156		12574		11954		11292		10541		9657		8503		-			
			30.0	5.73	29.0	5.97	28.0	6.19	27.0	6.37	26.0	6.47	25.0	6.51	25.0	6.55	25.0	6.56	25.0	6.42	-			
	1020	8178	14541		14053		13562		13010		12411		11781		11081		10274		9277		7941			
			30.0	6.16	30.0	6.41	29.0	6.63	28.0	6.82	27.0	6.95	26.0	7.00	26.0	7.04	26.0	7.08	27.0	6.99	26.0	6.80		
	1045	8378	14921		14445		13966		13442		12861		12254		11599		10852		9975		8837			
			31.0	6.61	30.0	6.87	30.0	7.09	29.0	7.30	28.0	7.45	27.0	7.51	27.0	7.56	27.0	7.60	27.0	7.58	27.0	7.42		
	1065	8539	15224		14758		14287		13787		13218		12630		12003		11298		10489		9474			
			31.0	6.98	31.0	7.25	30.0	7.48	30.0	7.70	29.0	7.86	28.0	7.94	27.0	7.98	28.0	8.03	28.0	8.05	28.0	7.92		

Performance certified is for installation type A: Free Inlet, Free Outlet. Power rating (BHP) does not include transmission losses. For further information on estimating belt drive losses and motor service factors see page 13. The sound ratings shown are for loudness values in fan sonos at 5'0" (1.5m) in a hemispherical free field calculated per AMCA International Standard 301. Values shown are for installation Type A: free inlet hemispherical sone levels. Performance ratings do not include the effects of appurtenances.

SX335BC | BELT DRIVE



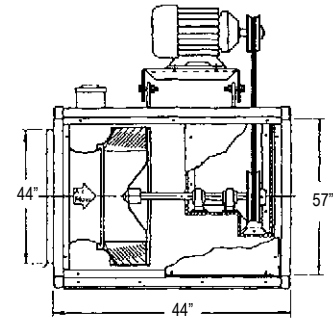
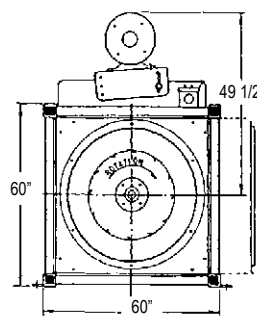
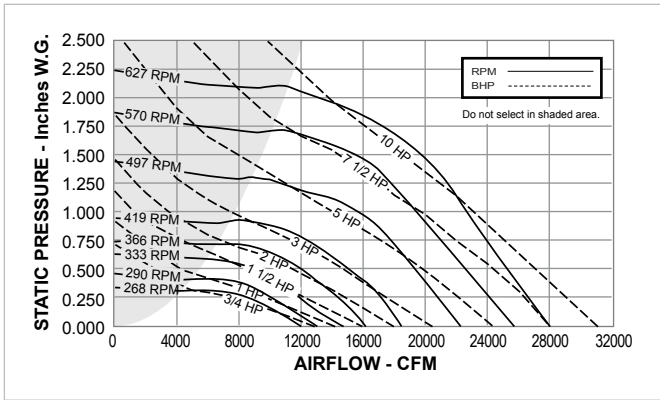
HP	RPM	Tip Speed FPM	0.250" SP		0.500" SP		0.750" SP		1.000" SP		1.250" SP		1.500" SP		1.750" SP		2.000" SP		2.250" SP		2.500" SP	
			CFM		CFM		CFM		CFM		CFM		CFM		CFM		CFM		CFM		CFM	
			Sones	BHP	Sones	BHP	Sones	BHP	Sones	BHP	Sones	BHP	Sones	BHP	Sones	BHP	Sones	BHP	Sones	BHP	Sones	BHP
3/4	300	2921	5916		-		-		-		-		-		-		-		-		-	
			5.6	0.52	-		-		-		-		-		-		-		-		-	
	352	3472	7923		-		-		-		-		-		-		-		-		-	
			7.6	0.80	-		-		-		-		-		-		-		-		-	
1	370	3602	8559		-		-		-		-		-		-		-		-		-	
			8.2	0.91	-		-		-		-		-		-		-		-		-	
	381	3709	8936		6173		-		-		-		-		-		-		-		-	
			8.7	0.99	8.9	1.03	-		-		-		-		-		-		-		-	
1 1/2	410	3992	9905		7750		-		-		-		-		-		-		-		-	
			10.2	1.21	10.8	1.33	-		-		-		-		-		-		-		-	
	437	4254	10782		8877		-		-		-		-		-		-		-		-	
			11.9	1.44	11.6	1.58	-		-		-		-		-		-		-		-	
2	460	4478	11514		9788		-		-		-		-		-		-		-		-	
			13.8	1.66	12.6	1.82	-		-		-		-		-		-		-		-	
	481	4683	12175		10587		8429		-		-		-		-		-		-		-	
			15.7	1.88	14.0	2.05	13.1	2.13	-		-		-		-		-		-		-	
3	490	4770	12455		10919		8907		-		-		-		-		-		-		-	
			16.6	1.98	14.8	2.16	13.8	2.26	-		-		-		-		-		-		-	
	510	4965	13073		11640		9836		-		-		-		-		-		-		-	
			18.3	2.21	16.1	2.41	14.8	2.54	-		-		-		-		-		-		-	
	535	5209	13839		12508		10864		8380		-		-		-		-		-		-	
			19.1	2.53	17.1	2.74	15.6	2.90	15.2	2.81	-		-		-		-		-		-	
	551	5364	14327		13048		11502		9495		-		-		-		-		-		-	
			19.8	2.75	17.9	2.97	16.2	3.14	15.9	3.18	-		-		-		-		-		-	
5	575	5598	15055		13849		12436		10730		-		-		-		-		-		-	
			21.0	3.11	19.4	3.34	17.7	3.53	17.0	3.66	-		-		-		-		-		-	
	600	5841	15802		14669		13368		11832		9523		-		-		-		-		-	
			23.0	3.51	21.0	3.75	19.8	3.96	18.4	4.13	18.1	3.99	-		-		-		-		-	
	625	6085	16535		15471		14270		12832		11097		-		-		-		-		-	
			26.0	3.94	24.0	4.20	22.0	4.43	20.0	4.60	19.8	4.67	-		-		-		-		-	
	653	6357	17353		16362		15244		13938		12463		-		-		-		-		-	
			26.0	4.46	25.0	4.74	23.0	5.00	22.0	5.19	21.0	5.35	-		-		-		-		-	

SX335BC | BELT DRIVE

HP	RPM	Tip Speed FPM	0.250" SP		0.500" SP		0.750" SP		1.000" SP		1.250" SP		1.500" SP		1.750" SP		2.000" SP		2.250" SP		2.500" SP			
			CFM		CFM		CFM		CFM		CFM		CFM		CFM		CFM		CFM		CFM		CFM	
			Sones	BHP	Sones	BHP	Sones	BHP	Sones	BHP	Sones	BHP	Sones	BHP	Sones	BHP	Sones	BHP	Sones	BHP	Sones	BHP	Sones	BHP
7 1/2	670	6523	17848		16898		15818		14592		13196		11356		-		-		-		-		-	
			27.0	4.79	25.0	5.10	24.0	5.36	22.0	5.57	21.0	5.75	21.0	5.70	-	-	-	-	-	-	-	-	-	-
	690	6718	18429		17522		16488		15333		13998		12440		-		-		-		-		-	
			28.0	5.22	26.0	5.53	25.0	5.80	24.0	6.04	22.0	6.21	22.0	6.31	-	-	-	-	-	-	-	-	-	-
	710	6912	19008		18141		17152		16065		14796		13416		11275		-		-		-		-	
			29.0	5.66	28.0	5.99	26.0	6.27	25.0	6.53	23.0	6.72	23.0	6.88	23.0	6.62	-	-	-	-	-	-	-	-
730	7107	19586		18757		17809		16769		15580		14287		12621		-		-		-		-		
		30.0	6.13	29.0	6.48	28.0	6.77	26.0	7.04	25.0	7.25	24.0	7.44	24.0	7.41	-	-	-	-	-	-	-	-	-
748	7282	20106		19309		18389		17398		16273		15021		13581		-		-		-		-		
		32.0	6.57	31.0	6.94	30.0	7.24	28.0	7.53	27.0	7.76	25.0	7.94	25.0	8.04	-	-	-	-	-	-	-	-	-
10	760	7399	20452		19676		18774		17805		16720		15499		14163		12150		-		-		-	
			33.0	6.88	32.0	7.26	31.0	7.57	29.0	7.86	28.0	8.10	26.0	8.29	26.0	8.44	25.0	8.14	-	-	-	-	-	-
	775	7545	20884		20133		19253		18311		17273		16097		14849		13189		-		-		-	
			34.0	7.28	33.0	7.67	32.0	7.99	31.0	8.28	30.0	8.54	28.0	8.74	27.0	8.94	26.0	8.83	-	-	-	-	-	-
	790	7691	21315		20589		19730		18813		17822		16692		15497		14006		-		-		-	
			36.0	7.70	35.0	8.10	34.0	8.42	33.0	8.73	32.0	9.00	29.0	9.22	28.0	9.43	27.0	9.43	-	-	-	-	-	-
800	7788	21602		20893		20046		19147		18180		17080		15906		14537		-		-		-		
		37.0	7.98	36.0	8.39	35.0	8.72	34.0	9.03	33.0	9.32	31.0	9.55	29.0	9.75	28.0	9.84	-	-	-	-	-	-	-
809	7876	21861		21165		20331		19447		18497		17427		16267		14975		13150		-		-		
		38.0	8.24	37.0	8.66	36.0	9.00	35.0	9.31	33.0	9.61	32.0	9.84	29.0	10.04	29.0	10.18	28.0	9.89	-	-	-	-	-

Performance certified is for installation type A: Free Inlet, Free Outlet. Power rating (BHP) does not include transmission losses. For further information on estimating belt drive losses and motor service factors see page 13. The sound ratings shown are for loudness values in fan sones at 5'0" (1.5m) in a hemispherical free field calculated per AMCA International Standard 301. Values shown are for installation Type A: free inlet hemispherical sone levels. Performance ratings do not include the effects of appurtenances.

SX420BC | BELT DRIVE



HP	RPM	Tip Speed FPM	0.125" SP		0.250" SP		0.375" SP		0.500" SP		0.750" SP		1.250" SP		1.000" SP		1.500" SP		1.750" SP		2.000" SP					
			CFM		CFM		CFM		CFM		CFM		CFM		CFM		CFM		CFM		CFM		CFM			
			Sones	BHP	Sones	BHP	Sones	BHP	Sones	BHP	Sones	BHP	Sones	BHP	Sones	BHP	Sones	BHP	Sones	BHP	Sones	BHP	Sones	BHP		
3/4	240	2757	9156		7098		-		-		-		-		-		-		-		-		-			
			4.6	0.53	4.1	0.60	-		-		-		-		-		-		-		-		-			
	268	3078	10639		8921		5642		-		-		-		-		-		-		-		-			
			5.8	0.71	5.2	0.80	5.0	0.77	-		-		-		-		-		-		-		-			
1	290	3331	11762		10212		8349		-		-		-		-		-		-		-		-			
			6.8	0.88	6.2	0.98	5.7	1.06	-		-		-		-		-		-		-		-			
1 1/2	310	3561	12735		11346		9823		6603		-		-		-		-		-		-		-			
			8.1	1.05	7.4	1.17	6.8	1.28	6.7	1.20	-		-		-		-		-		-		-			
	333	3825	13844		12603		11209		9477		-		-		-		-		-		-		-			
			8.9	1.28	8.2	1.41	7.7	1.53	7.4	1.60	-		-		-		-		-		-		-			
2	345	3963	14418		13249		11916		10437		-		-		-		-		-		-		-			
			9.4	1.41	8.8	1.55	8.3	1.68	7.8	1.78	-		-		-		-		-		-		-			
			14894		13782		12497		11139		-		-		-		-		-		-		-		-	
	355	4078	15417		14363		13129		11833		-		-		-		-		-		-		-			
			10.4	1.66	10.0	1.82	9.6	1.95	8.8	2.09	-		-		-		-		-		-		-			
3	380	4356	16079		15097		13914		12675		8142		-		-		-		-		-		-			
			11.1	1.85	11.0	2.01	10.5	2.15	9.8	2.29	9.2	2.21	-		-		-		-		-		-			
			16786		15877		14738		13562		10282		-		-		-		-		-		-		-	
			12.1	2.06	12.0	2.24	11.6	2.38	10.9	2.53	10.0	2.62	-		-		-		-		-		-			
	395	4537	17490		16628		15553		14435		11797		-		-		-		-		-		-			
			12.9	2.29	13.1	2.48	12.8	2.63	12.2	2.78	10.8	3.00	-		-		-		-		-		-			
	410	4709	17911		17068		16037		14953		12532		-		-		-		-		-		-			
			13.4	2.44	13.7	2.63	13.6	2.79	13.2	2.94	11.4	3.19	-		-		-		-		-		-			
5	440	5054	18891		18088		17156		16134		13990		9601		-		-		-		-		-			
			14.9	2.80	15.4	3.00	15.8	3.18	15.4	3.34	13.6	3.66	12.7	3.44	-		-		-		-		-			
			19822		19053		18208		17231		15201		12332		-		-		-		-		-		-	
			16.2	3.18	16.8	3.39	17.5	3.58	17.0	3.75	15.4	4.09	13.9	4.19	-		-		-		-		-			
			20749		20012		19250		18313		16388		14197		-		-		-		-		-		-	
	460	5284	17911		17068		16037		14953		12532		-		-		-		-		-		-			
			17.8	3.59	18.0	3.81	18.1	4.03	18.0	4.20	16.8	4.55	14.9	4.81	-		-		-		-		-			
	480	5513	21535		20824		20113		19222		17381		15401		11530		-		-		-		-			
			19.3	3.97	19.1	4.20	19.0	4.43	19.0	4.61	18.2	4.97	15.8	5.30	15.5	5.04	-		-		-		-			
	497	5709	16079		15097		13914		12675		8142		-		-		-		-		-		-			
			11.1	1.85	11.0	2.01	10.5	2.15	9.8	2.29	9.2	2.21	-		-		-		-		-		-			

SX420BC | BELT DRIVE

HP	RPM	Tip Speed FPM	0.125" SP		0.250" SP		0.375" SP		0.500" SP		0.750" SP		1.250" SP		1.000" SP		1.500" SP		1.750" SP		2.000" SP			
			CFM		CFM		CFM		CFM		CFM		CFM		CFM		CFM		CFM		CFM		CFM	
			Sones	BHP	Sones	BHP	Sones	BHP	Sones	BHP	Sones	BHP	Sones	BHP	Sones	BHP	Sones	BHP	Sones	BHP	Sones	BHP	Sones	BHP
7 1/2	515	5916	22366		21679		20993		20176		18418		16577		13870		-		-		-			
			20.0	4.40	20.0	4.64	20.0	4.87	20.0	5.07	20.0	5.45	17.3	5.82	16.4	5.89	-		-		-			
	530	6088	23056		22389		21723		20964		19268		17483		15291		10104		-		-			
			21.0	4.78	21.0	5.03	21.0	5.27	21.0	5.49	21.0	5.87	18.8	6.26	17.1	6.47	17.1	5.77	-		-			
	545	6260	23746		23098		22449		21747		20097		18377		16468		12713		-		-			
			22.0	5.19	22.0	5.44	22.0	5.68	22.0	5.92	22.0	6.32	20.0	6.71	17.8	7.02	17.8	6.65	-		-			
	560	6432	24435		23804		23173		22525		20919		19261		17522		14705		-		-			
			24.0	5.61	23.0	5.87	23.0	6.12	23.0	6.37	24.0	6.78	22.0	7.19	18.9	7.57	18.5	7.50	-		-			
	570	6547	24894		24274		23653		23033		21463		19844		18181		15816		-		-			
			25.0	5.91	24.0	6.17	24.0	6.43	24.0	6.69	24.0	7.11	24.0	7.52	20.0	7.94	19.0	8.04	-		-			
10	585	6720	25581		24977		24373		23768		22274		20712		19092		17137		13182		-			
			26.0	6.37	26.0	6.64	26.0	6.91	25.0	7.18	26.0	7.62	26.0	8.04	22.0	8.47	19.9	8.70	19.9	8.15	-			
	595	6834	26039		25445		24851		24257		22811		21286		19693		17896		14648		-			
			28.0	6.70	27.0	6.97	27.0	7.24	26.0	7.51	26.0	7.97	27.0	8.40	23.0	8.84	20.0	9.14	20.0	8.80	-			
	605	6949	26496		25912		25328		24743		23345		21856		20289		18603		15898		-			
			28.0	7.03	28.0	7.31	27.0	7.58	27.0	7.86	27.0	8.33	27.0	8.78	24.0	9.21	21.0	9.57	21.0	9.46	-			
	615	7064	26953		26379		25804		25229		23878		22415		20882		19303		17023		12341			
			29.0	7.38	29.0	7.66	28.0	7.94	28.0	8.22	27.0	8.71	28.0	9.16	25.0	9.60	22.0	10.02	21.0	10.1	21.0	9.20		
	627	7202	27502		26938		26374		25810		24513		23079		21587		20075		18083		14343			
			30.0	7.80	29.0	8.09	29.0	8.38	29.0	8.66	28.0	9.17	28.0	9.63	26.0	10.09	23.0	10.54	22.0	10.71	22.0	10.08		

Performance certified is for installation type A: Free Inlet, Free Outlet. Power rating (BHP) does not include transmission losses. For further information on estimating belt drive losses and motor service factors see page 13. The sound ratings shown are for loudness values in fan sones at 5'0" (1.5m) in a hemispherical free field calculated per AMCA International Standard 301. Values shown are for installation Type A: free inlet hemispherical sone levels. Performance ratings do not include the effects of appurtenances.

PENNBARRY PRODUCT SOLUTIONS



Commercial

- Roof & wall exhaust centrifugal fans
- Ceiling, wall, & inline centrifugal fans
- Roof supply centrifugal fans
- Square & round centrifugal fans
- Wall mounted axial fans
- Hooded roof axial fans
- Upblast roof axial fans
- Gravity ventilators
- Roof curbs



Industrial

- Freestanding centrifugal fans
- Industrial & material handling fans
- Tubular centrifugal inline fans
- Mixed flow centrifugal fans
- Plug & plenum fans
- Wall mounted propeller fans
- Tube axial fans
- Vane axial fans
- Bifurcator fans
- Lab exhaust



Kitchen ventilation

- Make-up air units
- Exhaust fans



Energy recovery

- Outdoor units
- Indoor units

PennBarry is proud to be your preferred manufacturer of commercial and industrial fans and blowers. Learn how PennBarry can assist you in your next application by contacting your PennBarry Representative or visiting us on the web at www.pennbarry.com

PennBarry | www.pennbarry.com | pennbarrysales@pennbarry.com | Tel 972 212 4700 | Fax 972 212 4702

PennBarry reserves the right to make changes at any time, without notice, to models, construction, specifications, options and availability. This document illustrates the appearance of PennBarry products at the time of publication. View the latest updates on the PennBarry website.

© 2018 PennBarry. All rights reserved. CENTREX JUNE 2019.



PENNBARRY™