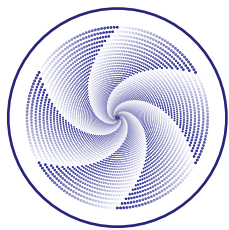


# Centrifugal Cabinet Fan



**SUPER  
VENT**



**BETA**  
industrial  
PRODUCTS CATALOGUE

Version - October 2019

PRODUCT BULLETIN

**SV-1**







# **SUPER VENT**

## **SINGLE AND TWIN CABINET FANS**

Forward Curved Direct Drive Centrifugal fans

Supervent Single & Twin Cabinet fans are general purpose ventilation units having high versatile applications in modern ventilation systems. These versatile low noise air movers provide reliable economical and effective ventilation. The twin fan assures continuous operation. Each model of this series has two similar capacity fans which enable flexibility of independent continuous or simultaneous operation.

### **GENERAL DESCRIPTION**

The Low noise level makes these super - silenced cabinet fans an exclusive and unequalled range. Supervent cabinet fans are suitable for being installed in small areas where limited dimensions and easy installations are required. Other peculiar features are the possibility of easy removal of motor-impeller assembly for maintenance. Fans are suitable to move air with a temperature range from -10° C to +50° C.

### **CONSTRUCTION**

The cabinet fabricated from pre-galvanized steel is lined with acoustic insulation. Fan includes single phase IP44/54/55 electric motor with class B/F insulation with high efficiency low sound forward curved impeller.

### **ADVANTAGES**

- \* Compact and space saving design.
- \* Housings are weather resistant, fabricated from pre-galvanized sheet steel.
- \* Cabinets are provided with acoustic lining.
- \* Stainless steel and aluminium cabinets are available on request.
- \* Epoxy or powder coating of cabinet available on request.
- \* Fans have external rotor motor with built-in thermal overload protection (on request).
- \* 100% speed controllable external rotor motor.
- \* Extremely low starting current.
- \* Cabinets are provided with the Mounting brackets for installation.
- \* Single inlet forward curved direct drive centrifugal flow fans.





## **APPLICATIONS**

Supervent Single & Twin cabinets fans are versatile in application. These fans be used in ventilation, recirculation and air conditioning system for modern residential, commercial and industrial zones. These fans can be used for inline, roof mount or ceiling suspended applications.

## **ACCESSORIES**

- \* Cabinets can be provided with optional inlet & outlet neck which may be circular or rectangular as per site requirements.
- \* Back Draught Shutters available on request.
- \* Optional filters are available on request.
- \* Single phase auto change over panel available for twin cabinet fans.

## **TECHNICAL DATA**

### **PERFORMANCE DATA**

Model	V / Ph / Hz	Power W	Current A	Speed RPM	Max Airflow CFM	Max Pressure In wg	dB(A) @ 3 mtrs
SV-CFCB 125 - 50	220 / 1 / 50	76	0.38	2633	140	1.20	55
SV-CFCB 140 - 60	220 / 1 / 50	127	0.60	2577	242	1.58	54
SV-CFCB 160 - 60	220 / 1 / 50	187	0.80	2492	280	1.87	54
SV-AORB	220 / 1 / 50	526	2.80	2778	615	2.80	64

\* Performance certified is for installation type D: Ducted inlet, Ducted outlet. Speed (RPM or RPS) shown is nominal. Performance is based on the actual speed of test. Performance ratings do not include the effects of appurtenances. dB(A) levels are not licensed by AMCA International.





## **AMCA CERTIFICATION**

Beta Industrial L.L.C certifies that the SUPERVENT model range “SV - CFCB (Single Cabinet Fans)” shown herein are licensed to bear the AMCA seal. The ratings shown are based on tests and procedures performed in accordance with AMCA Publication 211 and AMCA Publication 311 and comply with the requirements of the AMCA Certified Ratings Program.



## **OCTAVE BAND DATA**

Model	Speed RPM	Max Airflow CFM	Max Pressure In wg	Octave Band Frequency L <sub>wi</sub> (dB)							
				63 Hz	125 Hz	250 Hz	500 Hz	1 kHz	2 kHz	4 kHz	8 kHz
SV-CFCB 125 - 50	2633	140	1.20	60	65	71	68	60	55	47	46
SV-CFCB 140 - 60	2577	242	1.58	65	68	72	64	58	55	52	51
SV-CFCB 160 - 60	2492	280	1.87	68	71	73	62	56	51	50	49
SV-AORB	2778	615	2.80	76	79	81	70	71	69	61	61

\* Performance certified is for installation type D: Ducted inlet, Ducted outlet.

\* The sound power level ratings are in decibels, referred to 10<sup>-12</sup> watts, calculated per AMCA International Standard 301. Ratings include the effects of dust end correction.





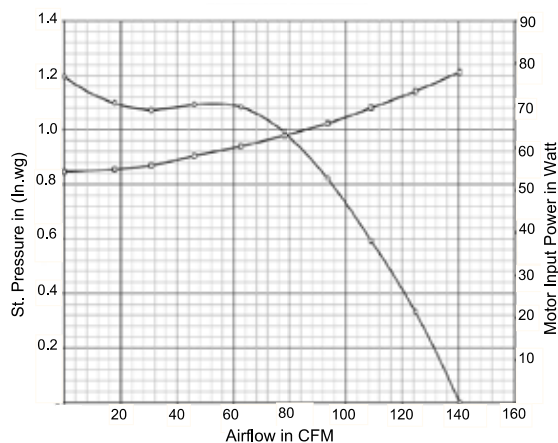
### PERFORMANCE DATA

Model	V / Ph / Hz	Power W	Current A	Speed RPM	Max Airflow CFM	Max Pressure In wg
SV-CFCB 125 - 50	220 / 1 / 50	76	0.38	2633	140	1.20
SV-CFCB 140 - 60	220 / 1 / 50	127	0.60	2577	242	1.58
SV-CFCB 160 - 60	220 / 1 / 50	187	0.80	2492	280	1.87
SV-AORB	220 / 1 / 50	526	2.80	2778	615	2.80

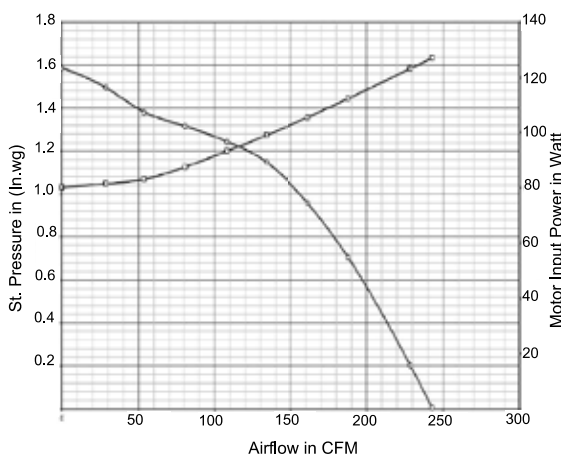


### PERFORMANCE CURVES

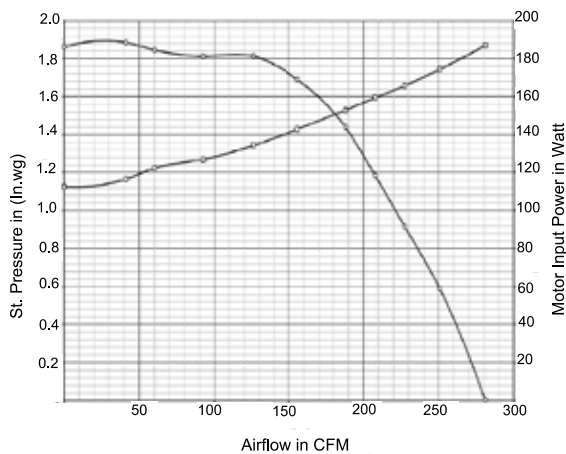
SV CFCB 125-50



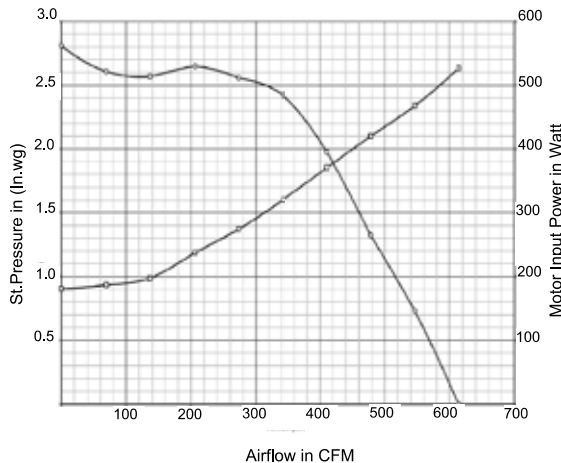
SV CFCB 140-60



SV CFCB 160-60

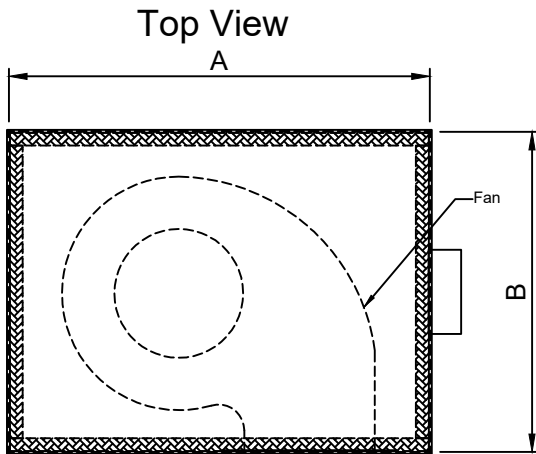


SV AORB



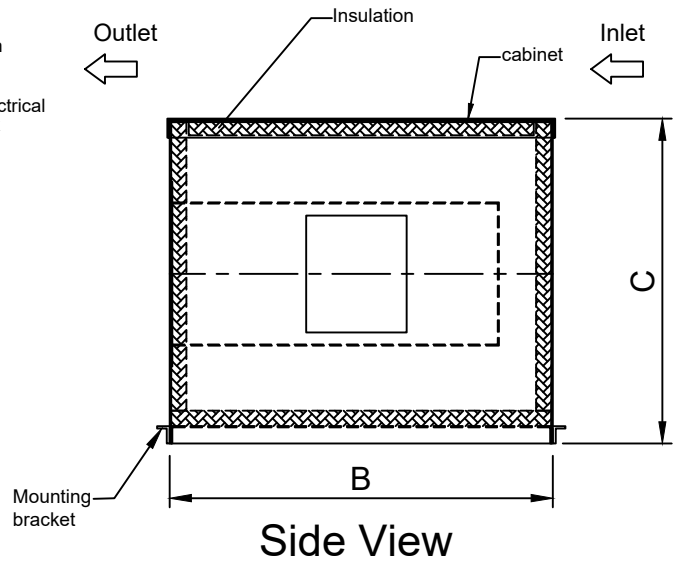
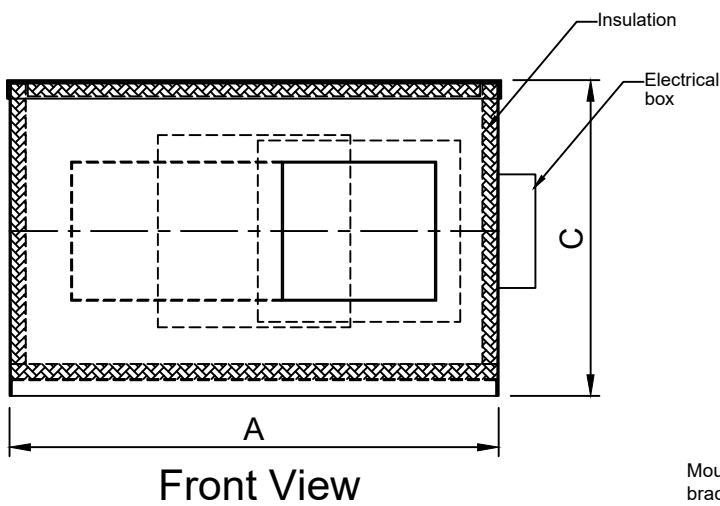


### CABINET DRAWINGS (Single Cabinet)



### Cabinet Dimensions (mm)

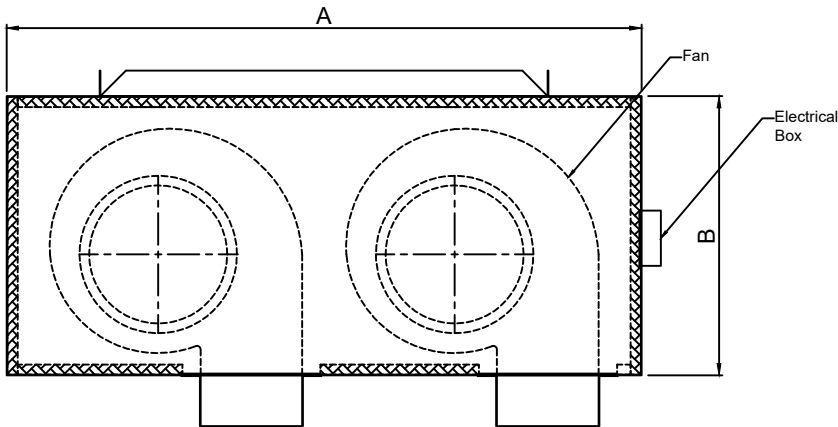
Model	A	B	C
SV-CFCB 125 - 50	273	210	200
SV-CFCB 140 - 60	283	240	230
SV-CFCB 160 - 60	330	300	245
SV-AORB	400	330	280





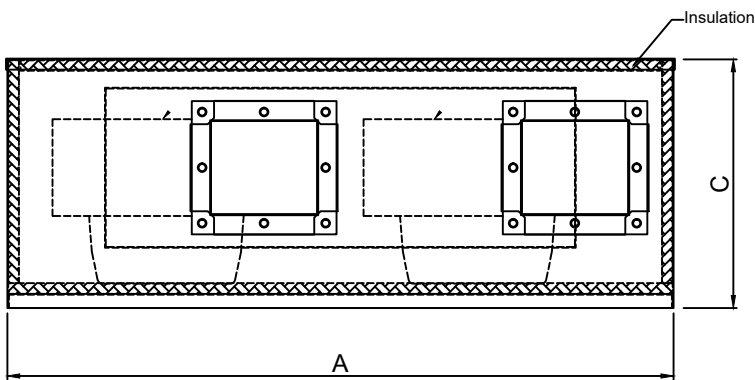
### CABINET DRAWINGS (Twin Cabinet)

Top View

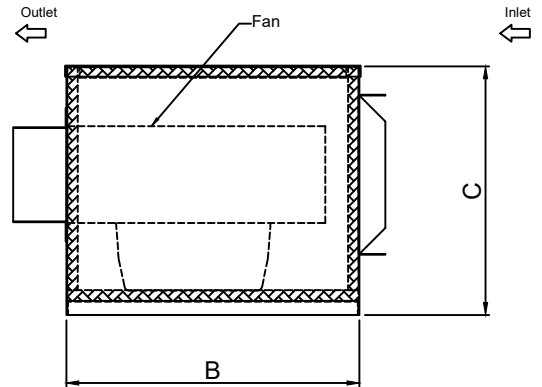


Cabinet Dimensions (mm)

Model	A	B	C
SV-CFCB/T 125-50	500	210	190
SV-CFCB/T 140-60	560	240	230
SV-CFCB/T 160-60	660	300	245
SV-AORB/T	750	330	280



Front View



Side View

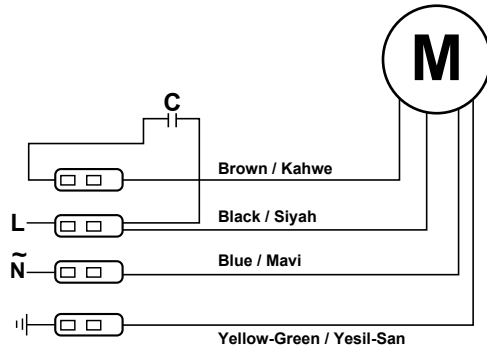




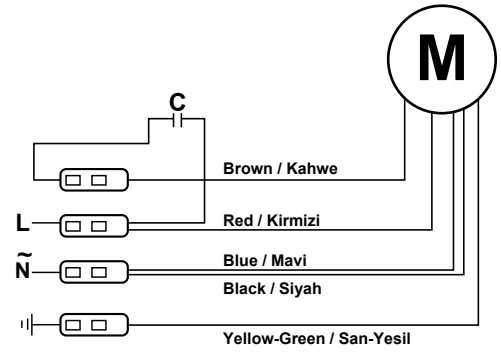


## **MOTOR WIRING DIAGRAM**

**SV CFCB**



**SV AORB**





Super Vent  
Cabinet Fans

**SUPER VENT**  
By Beta Industrial

By Beta Industrial LLC

**NOTES :**

A series of horizontal dashed red lines for taking notes.







**BETA**  
i n d u s t r i a l

Saudi Arabia:  
Tel: +966 1 265 4551  
Fax: +966 1 265 4550

Dubai Head Office:  
Tel: +971 4 706 9777  
Fax: +971 4 706 9787

Abu Dhabi Branch:  
Tel: +971 2 645 0107  
Fax: +971 2 645 0167

Email: [betai@betag.com](mailto:betai@betag.com)  
P.O.Box 50708, Dubai  
United Arab Emirates

[www.betag.com](http://www.betag.com)