



3900 Dr. Greaves Rd. • Kansas City, MO 64030 • (816) 761-7476 • FAX (816) 765-8955

ELF375DXD DRAINABLE STATIONARY LOUVER

MIAMI-DADE APPROVED

MIAMI-DADE COUNTY, FLORIDA NOTICE OF ACCEPTANCE NUMBER: 18-0201.08 (Expires 1/3/23)
Florida Product Approval #FL10234.2

STANDARD CONSTRUCTION

FRAME

4" (102) deep, 6063T6 extruded aluminum with .081" (2.1) nominal wall thickness. Downspouts and caulking slots provided.

BLADES

6063T6 extruded aluminum, .081" (2.1) nominal wall thickness. Drainable blades are positioned at 37¹/₂° angle and spaced approximately 5³/₃₂" (129) center to center.

SCREEN

⁵/₈" x .040" (16 x 1) expanded, flattened aluminum bird screen in removable frame. Screen adds approximately 1/2" (13) to louver depth.

FINISH

Mill.

APPROXIMATE SHIPPING WEIGHT

6 lbs./ft.² (29.3 kg/m²).

MINIMUM SIZE

12"w x 12"h (305 x 305).

MAXIMUM SIZE

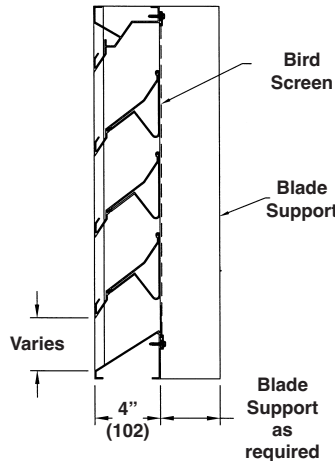
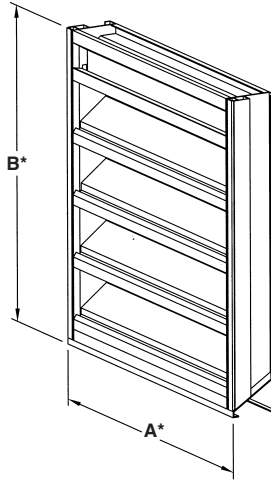
90" x 120" (2286 x 3048) ship section size, unlimited width x 120"h (3048) field assembly. Louvers larger than the maximum factory assembly size will require field assembly of smaller sections.

INSTALLATION

The ELF375DXD must be installed per the appropriate installation detail. Reference the appropriate separate installation instruction sheets.

BLADE SUPPORTS

Factory installed on louvers over 30" (762) wide. Support depth is 3" (76) on louvers 60" (1524) tall and under. Support depth is 6" (152) on louvers over 60" (1524) tall.



FEATURES

- Approved for use in open structures with provisions to manage weather infiltration (wet rooms).
- Maximum windload ±130 PSF (6.22 kPa).
- High performance frame system with drainable head collects and removes water to provide excellent water penetration performance.
- Drain gutter in each blade minimizes water cascade between blades.
- 49% Free Area in 48" x 48" (1.2 x 1.2) size.
- Published performance ratings based on testing in accordance with AMCA Publication 511 & 512.
- Aluminum construction for low maintenance and high resistance to corrosion.
- All welded construction.
- Miami Dade NOA #18-0201.08
2017 FBC# FL21829.2

VARIATIONS

Variations to the basic design of these louvers are available at additional cost. They include:

- Extended sill.
- Front or rear security bars.
- Filter racks.
- Universal Sleeve
- Blank Off panels
- Integral Flange
- A variety of bird and insect screens.
- Optional finishes available at additional cost: prime coat, 50% PVDF (modified fluoropolymer), epoxy, Pearledize, 70% PVDF clear and color anodize. (Some variation in anodize color consistency is possible.)

Consult Ruskin for other special requirements.

*Units furnished 1/2" (13) smaller than given opening dimensions.

ELF375DXD meets the requirements for the following:

- Miami-Dade NOA Approval 18-0201.08
- Florida Product Approved FL-10234.2
- AMCA 500-L Tested
- AMCA550-High Velocity Wind Driven Rain Resistant with Damper

Please reference our website www.ruskin.com for up to date LEED® information.

Dimensions in inches, parenthesis () indicate millimeters.

TAG	QTY.	SIZE		FRAME	WALL DEPTH	VARIATIONS
		A*-WIDE	B*-HIGH			
PROJECT				LOCATION		
ARCH./ENGR.				CONTRACTOR		
REPRESENTATIVE				DATE		

AMCA550 DAMPER OPTIONS

CONTROL DAMPER

CD40 (Thin Line Control Damper)

(The CD40 combines the lowest leakage attainable-6cfm/sq.ft. at 4"w.g. with thin line, 4" overall depth when the damper is completely open.)

- Damper Frame and Blade Depth 4"
- Max Single Section 60"x72"
- Opposed Blade
- Mill Finish
- Factory-Installed, pneumatic and electric actuators
- SP100 Switch Package
- Jack shafted or Extended Shaft option
- Concealed Linkage

CD50

(The CD50 is a low Leak, extruded aluminum damper designed with air foil blades for higher velocities and pressure HVAC systems. It meets the leakage requirements of the International energy Conservation Code by leaking less than 3cfm.sq.ft. at 1" of static pressure and is AMCA licensed as a Class 1A damper)

- Air Leakage AMCA Class 1A
- Damper Frame Depth is 5" and Blade width is 6"
- Max Single Section 60"x72"
- Opposed Blade
- Mill Finish
- Factory-Installed, pneumatic and electric actuators
- SP100 Switch Package
- Jack shafted or Extended Shaft option
- Concealed Linkage

SMOKE DAMPER

SD60 (UL555S Leakage Class 1 Damper)

(The SD60 is an ultra-low leakage rated smoke damper used in ducts that penetrate smoke rated barriers.)

- Air Leakage Class 1
- Damper Frame Depth is 5" and Blade width is 6"
- Max Single Section 48"x72"
- Opposed Blade
- Mill Finish
- Factory-Installed, pneumatic and electric actuators
- SP100 Switch Package
- Jack shafted or Extended Shaft option
- Concealed Linkage

SUGGESTED SPECIFICATION

Furnish and install louvers as hereinafter specified where shown on plans or as described in schedules. Drainable stationary louver and meeting the performance criteria established by the Florida Building Code and Miami-Dade County, louvers shall be certified to FBC standards TAS 201 (Large Missile Impact), TAS 202 (Uniform Static Air Pressure) and TAS 203 (Cyclic Wind Loading). Louvers shall be manufactured in an ISO 9001 certified factory. Louvers shall be stationary type contained within a 4" (102) frame. Louver components (heads, jambs, sills, blades, and mullions) shall be factory assembled by the louver manufacturer. Louver sizes too large for shipping shall be built up by the contractor from factory assembled louver sections to provide overall sizes required.

Louvers shall be Ruskin Model ELF375DXD construction as follows:

MATERIAL

Frame: .081" (2.1) aluminum channel.

Blades: .081" (2.1) nominal wall thickness.

Screen: 5/8" mesh x .040" (16 x 1) expanded flattened aluminum bird screen in removable frame. Drainable blades are positioned at 37¹/₂°.

Finish: Select finish specification from Ruskin/PVDF Finishes Brochure.

Published louver performance data bearing the AMCA Certified Ratings Seal for Air Performance and Water Penetration must be submitted for approval prior to fabrication and must demonstrate pressure drop equal to or less than the Ruskin model specified.

STRUCTURAL DESIGN

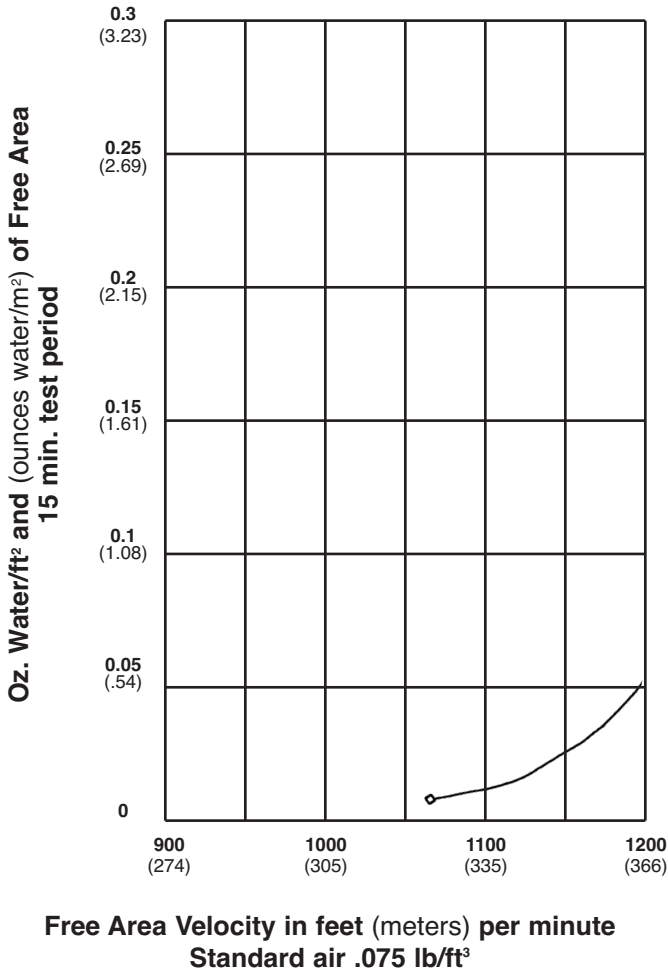
Integral structural supports shall be designed and furnished by the louver manufacturer to carry a wind load of not less than ±130 psf (6.22 kPa).

PERFORMANCE DATA

WATER PENETRATION

Test size 48" wide x 48" high (1219 x 1219)

Beginning point of water penetration at .01 oz./sq. ft. is 1055 fpm (322 m/min).



Ratings do not include the effect of a bird screen.



Ruskin Company certifies that the ELF375DXD louvers shown herein are licensed to bear the AMCA Seal. The ratings shown are based on tests and procedures performed in accordance with AMCA Publication 511 and comply with the requirements of the AMCA Certified Ratings Program. The AMCA Certified Ratings Seal applies to air performance ratings and water penetration ratings only.



HIGH VELOCITY
RAIN RESISTANT
WITH BLADES FULLY CLOSED

See www.AMCA.org for all certified or listed products

This label does not signify AMCA airflow performance certification.

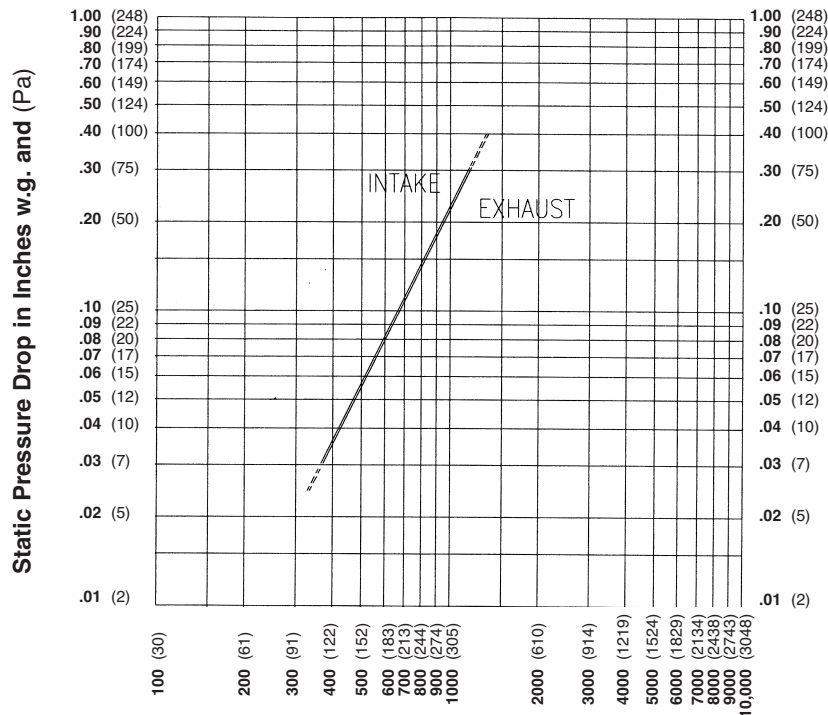
Ruskin certifies that the ELF375DXD shown herein is approved to bear the AMCA listing Label. The ratings shown are based on tests and procedures performed in accordance with AMCA publications and comply with the required of the AMCA listing label program. The AMCA Listing applies to Resistant and High Velocity Wind Driven Rain Resistant Louvers (with optional CD40, CD50 or SD60 damper in the closed position)

FREE AREA GUIDE

Free Area Guide shows free area in ft² and m² for various sizes of ELF375DXD.
Width – Inches and Meters

Height – Inches (Meters)	12	18	24	30	36	42	48	54	60	66	72	78	80	86	90
	0.3 0.3	0.46 0.01	0.61 0.03	0.76 0.05	0.91 0.04	1.07 0.09	1.22 0.11	1.37 0.13	1.52 0.15	1.68 0.17	1.83 0.19	1.98 0.21	2.03 0.23	2.18 0.25	2.30 0.26
12 0.3	0.16 0.01	0.36 0.03	0.57 0.05	0.78 0.04	0.99 0.09	1.2 0.11	1.41 0.13	1.62 0.15	1.82 0.17	2.03 0.19	2.24 0.21	2.45 0.23	2.52 0.23	2.73 0.25	2.90 0.26
18 0.46	0.28 0.03	0.65 0.06	1.02 0.09	1.39 0.13	1.76 0.16	2.13 0.2	2.5 0.23	2.87 0.27	3.24 0.3	3.62 0.34	3.99 0.37	4.36 0.41	4.48 0.42	4.85 0.46	5.15 0.48
24 0.61	0.4 0.04	0.93 0.09	1.47 0.14	2 0.19	2.53 0.24	3.07 0.29	3.6 0.33	4.13 0.38	4.67 0.43	5.2 0.48	5.73 0.53	5.6 0.52	5.78 0.54	5.98 0.56	6.14 0.58
30 0.76	0.52 0.05	1.22 0.11	1.91 0.18	2.61 0.24	3.3 0.31	4 0.37	4.7 0.44	5.39 0.5	6.09 0.57	6.78 0.63	7.48 0.7	7.3 0.68	7.54 0.70	7.80 0.73	8.01 0.74
36 0.91	0.62 0.06	1.44 0.13	2.27 0.21	3.09 0.29	3.92 0.36	4.74 0.44	5.57 0.52	6.4 0.59	7.22 0.67	8.05 0.75	8.87 0.83	9.7 0.9	9.97 0.93	10.80 1.01	11.45 1.07
42 1.07	0.74 0.07	1.73 0.16	2.72 0.25	3.7 0.34	4.69 0.44	5.68 0.53	6.67 0.62	7.65 0.71	8.64 0.8	9.63 0.9	10.62 0.99	11.6 1.08	11.93 1.11	12.92 1.20	13.70 1.27
48 1.22	0.86 0.08	2.01 0.19	3.16 0.29	4.31 0.4	5.46 0.51	6.61 0.61	7.76 0.72	8.91 0.83	10.06 0.94	11.21 1.04	12.36 1.15	13.51 1.26	13.90 1.29	15.05 1.40	15.97 1.49
54 1.37	0.98 0.09	2.3 0.21	3.61 0.34	4.92 0.46	6.23 0.58	7.55 0.7	8.86 0.82	10.17 0.95	11.48 1.07	12.8 1.19	14.11 1.31	15.42 1.43	15.86 1.47	17.17 1.59	18.22 1.69
60 1.52	1.11 0.1	2.58 0.24	4.06 0.38	5.53 0.51	7.01 0.65	8.48 0.79	9.96 0.93	11.43 1.06	12.9 1.2	14.38 1.34	15.85 1.47	17.33 1.61	17.82 1.66	19.30 1.80	20.48 1.91
66 1.68	1.2 0.11	2.81 0.26	4.41 0.41	6.02 0.56	7.62 0.71	9.23 0.86	10.83 1.01	12.43 1.16	14.04 1.31	15.64 1.45	17.25 1.6	18.85 1.75	19.39 1.80	21.00 1.95	22.28 2.07
72 1.83	1.33 0.12	3.09 0.29	4.86 0.45	6.63 0.62	8.39 0.78	10.16 0.94	11.93 1.11	13.69 1.27	15.46 1.44	17.23 1.6	18.99 1.77	20.76 1.93	21.35 1.99	23.12 2.16	24.53 2.29
78 1.98	1.45 0.13	3.38 0.31	5.31 0.49	7.23 0.67	9.16 0.85	11.09 1.03	13.02 1.21	14.95 1.39	16.88 1.57	18.81 1.75	20.74 1.93	22.67 2.11	23.31 2.17	25.24 2.35	26.78 2.49
84 2.13	1.57 0.15	3.66 0.34	5.75 0.53	7.84 0.73	9.94 0.92	12.03 1.12	14.12 1.31	16.21 1.51	18.3 1.7	20.39 1.9	22.49 2.09	24.58 2.29	25.27 2.35	27.37 2.55	29.04 2.70
90 2.29	1.69 0.16	3.94 0.37	6.2 0.58	8.45 0.79	10.711 1	12.96 1.21	15.21 1.41	17.47 1.62	19.72 1.83	21.98 2.04	24.23 2.25	26.49 2.46	27.24 2.53	29.50 2.74	31.30 2.91
96 2.44	1.81 0.17	4.23 0.39	6.65 0.62	9.06 0.84	11.48 1.07	13.89 1.29	16.31 1.52	18.73 1.74	21.14 1.97	23.56 2.19	25.98 2.42	28.39 2.64	29.20 2.72	31.62 2.95	33.55 3.13
102 2.59	1.91 0.18	4.46 0.41	7 0.65	9.55 0.89	12 1.12	14.64 1.36	17.19 1.6	19.73 1.84	22.28 2.07	24.82 2.31	27.37 2.55	29.92 2.78	30.76 2.86	33.31 3.10	35.35 3.28
108 2.74	2.03 0.19	4.74 0.44	7.45 0.69	10.16 0.94	12.87 1.2	15.57 1.45	18.28 1.7	20.99 1.95	23.7 2.2	26.41 2.46	29.12 2.71	31.82 2.96	32.73 3.04	34.83 3.23	36.64 3.40
114 2.9	2.15 0.2	5.02 0.47	7.89 0.73	10.77 1	13.64 1.27	16.51 1.54	19.38 1.8	22.25 2.07	25.12 2.34	27.99 2.6	30.86 2.87	33.73 3.14	34.69 3.23	36.92 3.44	38.84 3.62
120 3.05	2.27 0.21	5.31 0.49	8.34 0.78	11.37 1.06	14.41 1.34	17.44 1.62	20.47 1.9	23.51 2.19	26.54 2.47	29.57 2.75	32.61 3.03	35.64 3.31	36.65 3.41	39.01 3.63	41.03 3.82

PRESSURE DROP



Ratings do not include the effect of a bird screen.

Air Velocity in feet and (meters) per minute through Free Area

(Data corrected to standard air density and AMCA figure tested to 5.5)

ELF375DXD with Damper Combo

