

EME6625D WIND-DRIVEN RAIN RESISTANT STATIONARY LOUVER
MIAMI-DADE APPROVED **FLORIDA PRODUCT APPROVAL # FL3268.1**
MIAMI-DADE COUNTY, FLORIDA NOTICE OF ACCEPTANCE NUMBER: 15-0930.11 (1/28/17)

STANDARD CONSTRUCTION

LOUVER FRAME

6"(152) deep, 6063T6 extruded aluminum with .095" (2.4) nominal wall thickness.

LOUVER BLADES

6063T6 extruded aluminum .080" (2.1) nominal wall thickness. Blades are mounted vertically.

BIRD SCREEN

1/2" x .063" (13 x 1.6) square mesh aluminum bird screen in removable frame. Screen adds approximately 1/2" (13) to louver depth.

FINISH

Mill.

MINIMUM SIZE

12"w x 12"h (305 x 305).

APPROXIMATE SHIPPING WEIGHT

12 lbs. per sq. ft. (58.6 kg/m²)

MAXIMUM SHIPPING SECTION SIZE

48"w x 96"h (1219 x 2438).

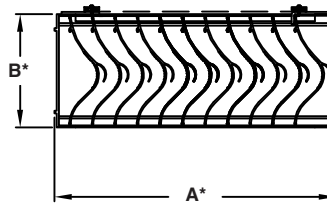
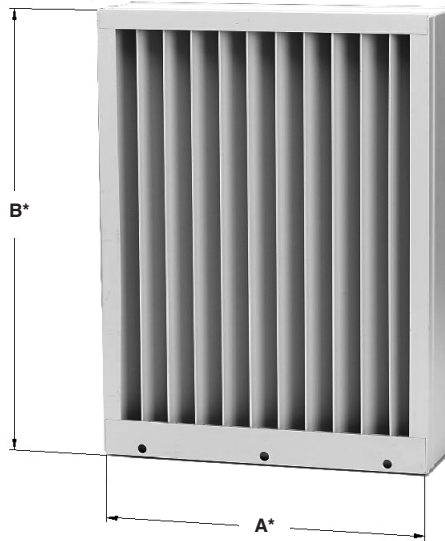
MAXIMUM OVERALL ASSEMBLY SIZE

Unlimited width x 96"h (2438) with or without damper. Overall assembly consists of individual sections combined in the field (combination of sections in the field not by Ruskin).

INSTALLATION

The EME6625D must be installed per the appropriate Installation Detail. Reference the appropriate separate Installation Instruction Sheets.

Consult Ruskin for additional information.



Front (Plan View)

FEATURES

- AMCA 540 and AMCA 550 Listed for windborne debris and high velocity rain.
- Large missile impact resistant per Miami-Dade TAS-201 test protocol.
- The EME6625D Louver is approved for use in open structures with provisions to manage weather infiltration (wet rooms).
- The EME6625D Louver/CD50 Control Damper combination is approved for use in closed structures without provisions to manage weather infiltration (dry rooms) over 33' (10m) in elevation. Approved for closed structures with weather management provisions (wet rooms) above 33' (10m) in elevation.
- Maximum windload with and without damper +160 PSF (7.66 KPa), -140 PSF (-6.70 KPa).
- 33% Free Area.
- Published free area and pressure drop

Performance ratings based on testing in accordance with AMCA Publication 500-L.

VARIATIONS

- Filter racks.
- A variety of bird and insect screens.

Consult Ruskin for other special requirements

- Selection of finishes: prime coat, 50% PVDF (modified fluoropolymer), epoxy, Pearledize, 70% PVDF, clear and color anodize. (Some variation in anodize color consistency is possible).
- On EME6625D/CD50 Combination Units, the CD50 Damper and sleeve are shipped separately and must be combined with the EME6625D in the field (combination of louver/ damper not by Ruskin).

*Please provide Rough Opening Dimensions for "A" and "B" dimensions. Unless ordered as actual size, the louver will be provided 1/2" (12) smaller than the "A" and "B" dimensions provided.

EME6625D meets the requirements for the following:

- Miami-Dade NOA Approval 15-0930.11
- AMCA 540 Enhanced and AMCA 550 listed
- Florida Product Approved FL3286.1
- AMCA 500-L Tested

Please reference our website www.ruskin.com for up to date LEED® information



HIGH VELOCITY RAIN RESISTANT AND IMPACT RESISTANT LOUVER
Enhanced Protection

See www.AMCA.org for all certified or listed products

This label does not signify AMCA airflow performance certification.

Ruskin Company certifies that the EME6625D shown herein is approved to bear the AMCA Listing Label. The ratings shown are based on tests and procedures performed in accordance with AMCA Publications and comply with the requirements of the AMCA Listing Label Program.

The AMCA Listing Label applies to Wind Borne Debris Impact Resistant Louvers.

The AMCA Listing Label applies to High Velocity Rain Resistant Louver Louvers.

Dimensions in inches, parenthesis () indicate millimeters.

TAG	QTY.	SIZE		INST. CHANNEL DEPTH	VARIATIONS
		A*-WIDE	B*-HIGH		
PROJECT ARCH./ENGR. REPRESENTATIVE			LOCATION CONTRACTOR DATE		

SUGGESTED SPECIFICATION

Furnish and install louvers as hereinafter specified where shown on plans or as described in schedules. Louvers shall possess stationary vertical blades designed to prevent the penetration of wind driven rain. Louver blades shall be contained within a 6" (152) frame. Extended sill shall be provided to capture and drain water to exterior of building. Louver components (heads, jambs, sill and blades) shall be factory assembled by the louver manufacturer. Louver sizes too large for shipping shall be built up by the contractor from factory assembled louver sections to provide overall sizes required. Louver design shall incorporate visible mullions on units larger than 48" x 96" (1219 x 2438).

Louvers shall be Ruskin Model EME6625D extruded 6063T6 aluminum alloy construction as follows:

MATERIAL

Frame:	.095" (2.4) wall thickness, caulking surfaces provided.
Blades:	080" (2.1) nominal wall thickness. Blades are mounted vertically.
Extended Sill:	.063" (2.1) wall thickness with upturned side panels to prevent water leakage.
Screen:	1/2" x .040" (13 x 1.6) aluminum bird screen in removable frame.
Finish:	Select finish specification from Ruskin Finishes Brochure.

STRUCTURAL DESIGN

Integral structural supports shall be designed and furnished by the louver manufacturer to carry a wind load of not less than +160 PSF (7.66 KPa), -140 PSF (-6.70 KPa).

WIND-DRIVEN RAIN PERFORMANCE - AMCA 500-L WIND-DRIVEN RAIN TEST

Test size is 1m x 1m (39" x 39") core area, 1.05m x 1.08m (41¹/₄" x 42⁵/₁₆" nominal. Free Area of test louver is 4.04 ft² (.38m²).

Wind Velocity mph (kph)	Rain Fall Rate In./hr. (mm/hr.)	Core Velocity ₁ fpm (m/s)	Airflow cfm (m ³ /min)	Free Area Velocity ₂ fpm (m/sec.)	Effectiveness Ratio	Class _{3,4}
29 (46.4)	3 (76)	992 (5)	10,685 (303)	2645 (13.4)	100%	A
50 (80.5)	8 (203)	962 (5)	10,418 (295)	2579 (13.1)	100%	A

NOTES

1. Core area is the open area of the louver face (face area less louver frames). Core Velocity is the airflow velocity through the Core Area of the louver (1m x 1m). 5m/s is the maximum core velocity utilized in this test.
2. Free Area of test size is calculated per AMCA standard 500-L.

3. Wind Driven Rain Penetration Classes:

Class	Effectiveness	Class	Effectiveness
A	1 to .99	C	0.949 to 0.80
B	0.989 to 0.95	D	Below 0.8

4. The EME6625D provides Class A performance at all velocities up to and including 5 m/s core velocity.



Ruskin Company certifies that the louver shown herein is licensed to bear the AMCA Seal. The ratings shown are based on tests and procedures performed in accordance with AMCA Publication 511 and comply with the requirements of the AMCA Certified Ratings Program. The AMCA Certified Ratings Seal applies to air performance ratings and wind driven rain ratings only.

FREE AREA GUIDE

Free Area Guide shows free area in ft² and m² for various sizes of EME6625D.

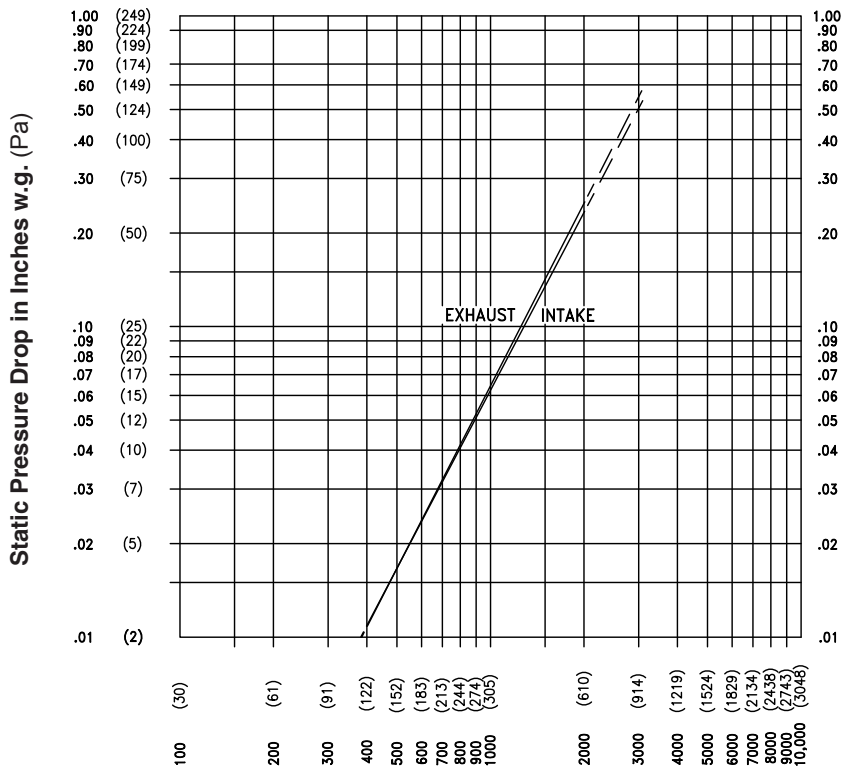
Width – Inches and Meters

	12		18		24		30		36		42		48	
	0.30	0.46	0.61	0.76	0.91	1.07	1.22							
12	0.08	0.14	0.19	0.25	0.31	0.37	0.43							
	0.30	0.01	0.01	0.02	0.02	0.03	0.03	0.04						
18	0.24	0.42	0.60	0.78	0.96	1.15	1.33							
	0.46	0.02	0.04	0.06	0.07	0.09	0.11	0.12						
24	0.40	0.70	1.01	1.31	1.62	1.92	2.23							
	0.61	0.04	0.07	0.09	0.12	0.15	0.18	0.21						
30	0.56	0.98	1.41	1.84	2.27	2.70	3.13							
	0.76	0.05	0.09	0.13	0.17	0.21	0.25	0.29						
36	0.63	1.12	1.61	2.09	2.58	3.07	3.55							
	0.91	0.06	0.10	0.15	0.19	0.24	0.29	0.33						
42	0.79	1.40	2.01	2.62	3.23	3.84	4.45							
	1.07	0.07	0.13	0.19	0.24	0.30	0.36	0.41						
48	0.95	1.68	2.42	3.15	3.88	4.62	5.35							
	1.22	0.09	0.16	0.22	0.29	0.36	0.43	0.50						
54	1.11	1.97	2.82	3.68	4.54	5.39	6.25							
	1.37	0.10	0.18	0.26	0.34	0.42	0.50	0.58						
60	1.27	2.25	3.23	4.21	5.19	6.17	7.15							
	1.52	0.12	0.21	0.30	0.39	0.48	0.57	0.66						
66	1.52	2.66	3.81	4.95	6.10	7.24	8.39							
	1.68	0.14	0.25	0.35	0.46	0.57	0.67	0.78						
72	1.51	2.67	3.83	4.99	6.15	7.31	8.47							
	1.83	0.14	0.25	0.36	0.46	0.57	0.68	0.79						
78	1.67	2.95	4.23	5.52	6.80	8.08	9.37							
	1.98	0.16	0.27	0.39	0.51	0.63	0.75	0.87						
84	1.83	3.23	4.64	6.05	7.45	8.86	10.27							
	2.13	0.17	0.30	0.43	0.56	0.69	0.82	0.95						
90	1.99	3.52	5.05	6.58	8.11	9.64	11.17							
	2.29	0.18	0.33	0.47	0.61	0.75	0.90	1.04						
96	2.15	3.80	5.45	7.11	8.76	10.41	12.06							
	2.44	0.20	0.35	0.51	0.66	0.81	0.97	1.12						

Height – Inches and Meters

PRESSURE DROP

48"x48" Test Sample Size

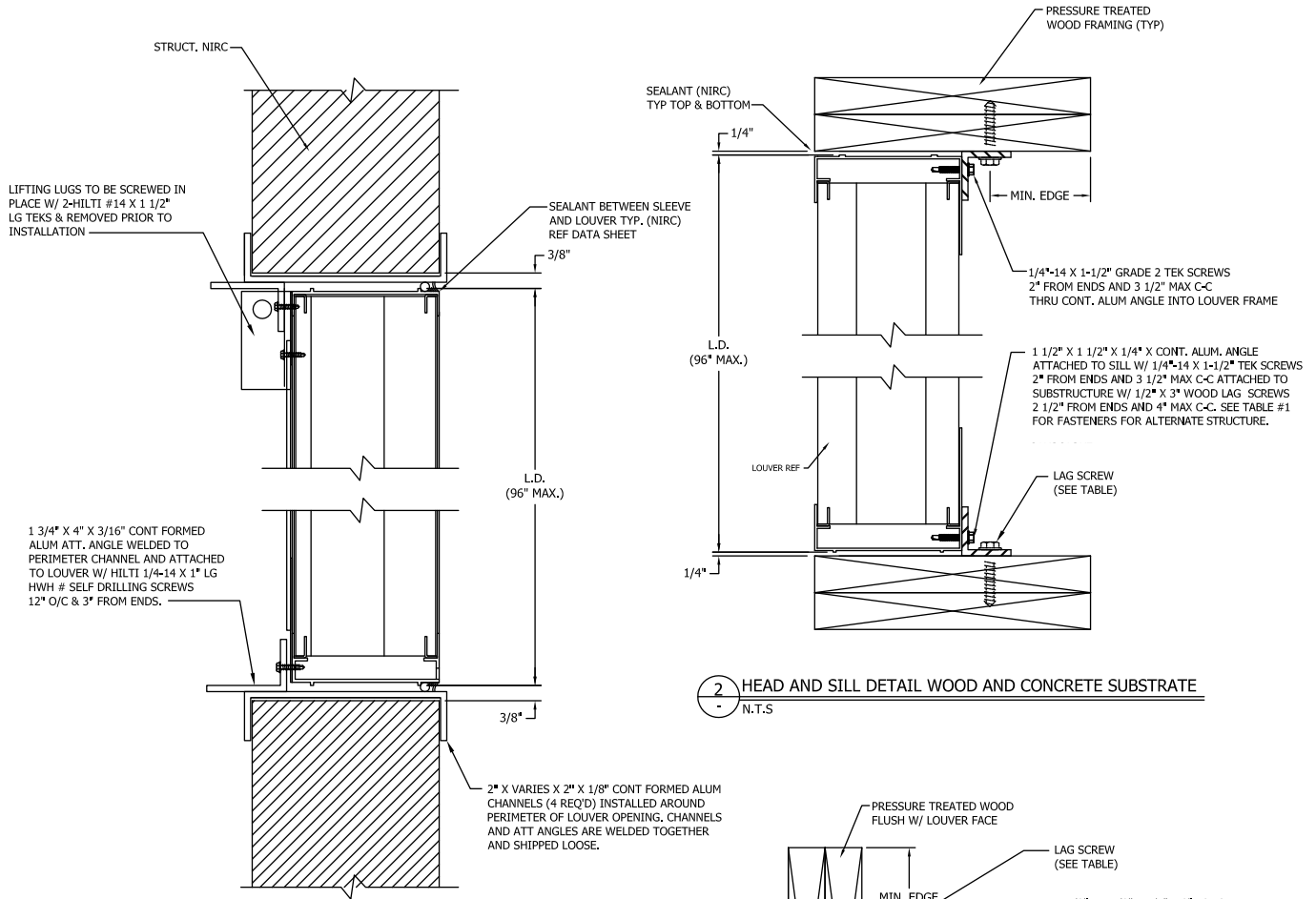


Ratings do not include the effect of a bird screen.

Air Velocity in feet and (meters) per minute through Free Area

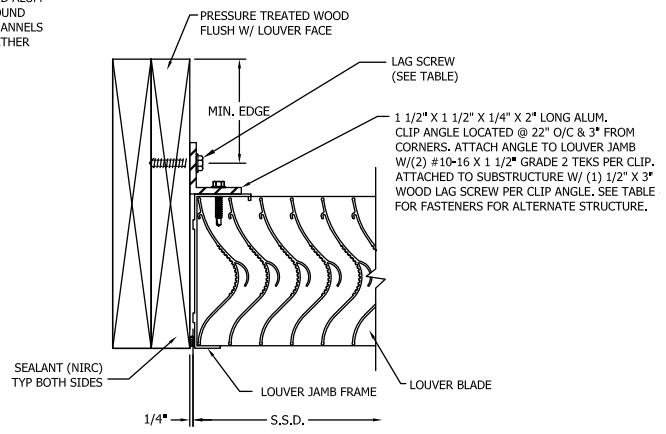
(Data corrected to standard air density and AMCA figure tested to 5.5)

EME6625D CONSTRUCTION INFORMATION



2 HEAD AND SILL DETAIL WOOD AND CONCRETE SUBSTRATE
N.T.S.

1 HEAD AND SILL DETAIL-INSTALLATION CHANNEL (JAMB SIMILAR)
N.T.S.



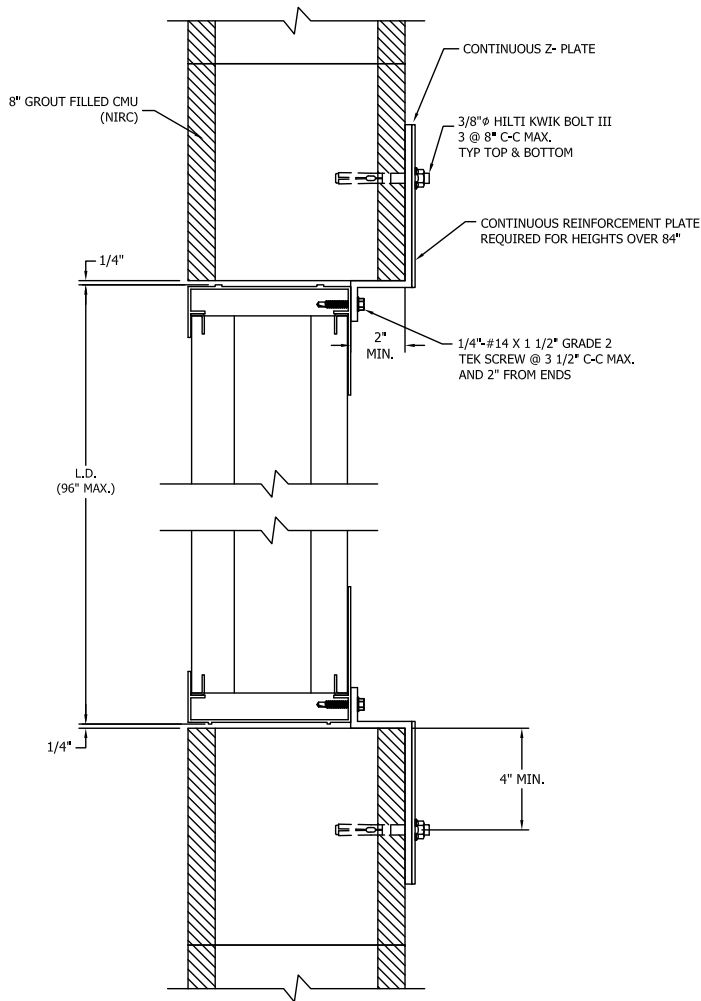
3 JAMB DETAIL WOOD AND CONCRETE SUBSTRATE
N.T.S.

TABLE #1: APPROVED ATTACHMENTS

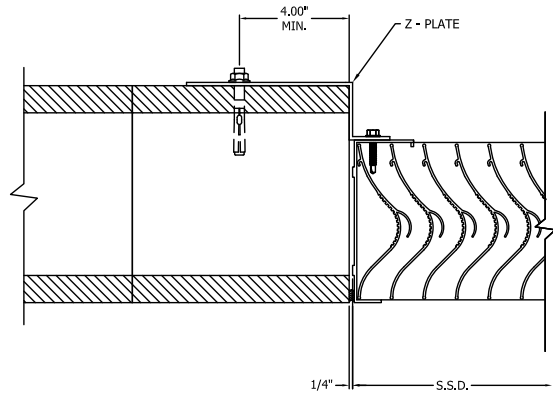
MIN. SUPPORT MAT'L	TYPE CONNECTION	ANGLE SLOT WIDTH	MAX SPACING	MIN EMBEDMENT	MIN EDGE
(12 GA MIN) STEEL	5/16" φ A307 OR SDS	5/16"	3 1/2" C-C MAX.	N/A	1/2"
(4" MIN) CONCRETE	3/8" φ KB TZ	7/16"	6" C-C MAX.	2"	3"
(8" CMU) GROUT FILLED MASONRY	3/8" φ KBIII	7/16"	8" C-C MAX.	2 1/2"	4"
(2 - 2 X 10) WOOD	1/2" φ X 3 A307 LAG SCREW	9/16"	4" C-C MAX.	3"	2 1/2"

NOTE: ALL FASTENERS MUST BE INSTALLED PER THE MANUFACTURER'S FLORIDA/DADE COUNTY APPROVED INSTALLATION INSTRUCTIONS

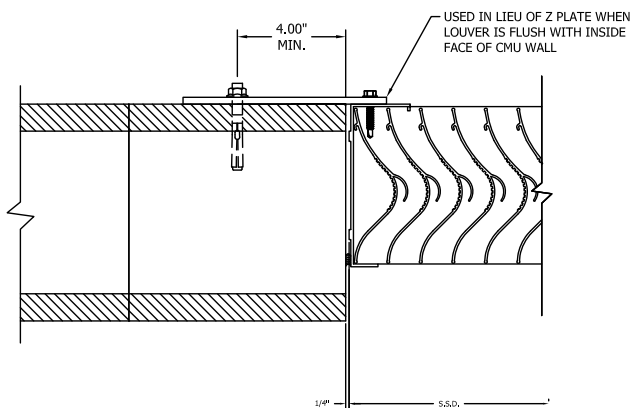
EME6625D CONSTRUCTION INFORMATION



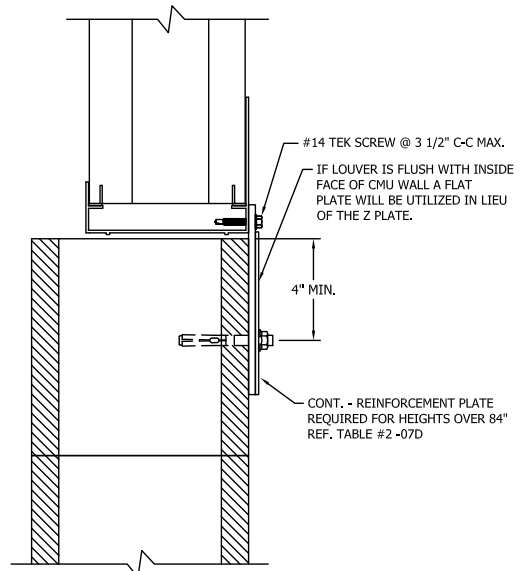
4 HEAD AND SILL DETAIL GROUT FILLED CMU (FRONT FLUSH)
- N.T.S



5 JAMB DETAIL: GROUT FILLED CMU (FRONT FLUSH)
- N.T.S

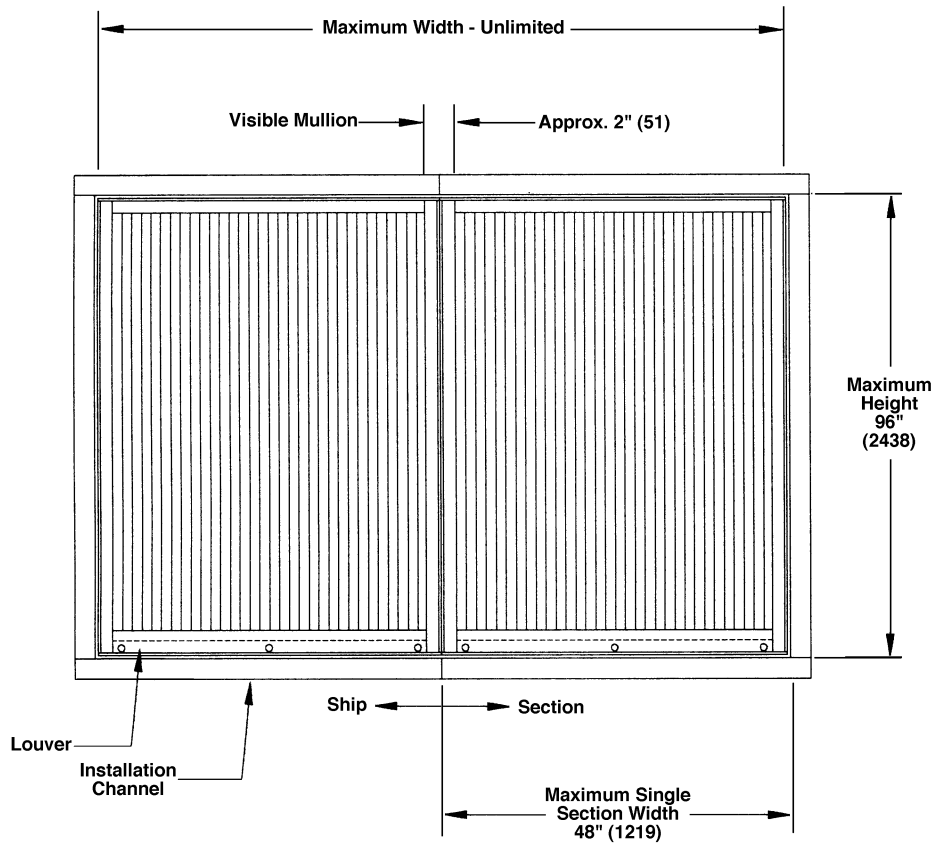


6 JAMB DETAIL GROUT FILLED CMU (REAR FLUSH)
- N.T.S



7 SILL DETAIL GROUT FILLED CMU (REAR FLUSH) (HEAD SIMILAR)
- N.T.S

EME6625D CONSTRUCTION INFORMATION



General Notes:

1. Reference separate Installation Instruction sheets (with and without optional damper) for installation details. The installation methods indicated must be complied with for Miami-Dade Approval. It is the responsibility of the installing contractor to properly install the louvers per the appropriate detail.
2. On special orders, Ruskin may provide submittal and/or shop drawings. Reference these drawings for additional installation information.
3. Louvers wider than the maximum single section width will be shipped in multiple sections and will require field assembly. Field assembly is not by Ruskin.
4. Installation channels are shipped loose.

RUSKIN®

3900 Dr. Greaves Rd.
Kansas City, MO 64030
(816) 761-7476
FAX (816) 765-8955
www.ruskin.com