

ACL1245D STATIONARY ACOUSTICAL LOUVER

MIAMI-DADE COUNTY APPROVED

MIAMI-DADE COUNTY, FLORIDA NOTICE OF ACCEPTANCE NUMBER (FBC 2017): 17-1025.03
(Expires 8/4/21) FORMED ALUMINUM

STANDARD CONSTRUCTION

FRAME

12" (305) deep, .125" (3.175) aluminum channel.

BLADES

.081" (2.057) aluminum exterior surface, with .050" (1.27) perforated aluminum interior surface that covers insulation. Blades positioned at 45° angle and spaced approximately 12" (305) center to center.

ACOUSTICAL INSULATION

Ruskatherm blanket.

SCREEN

5/8" mesh x .040" (16 x 1) expanded flattened aluminum bird screen in removable frame. Screen adds approximately 1/2" (13) to louver depth.

FINISH

Mill.

MINIMUM SIZE

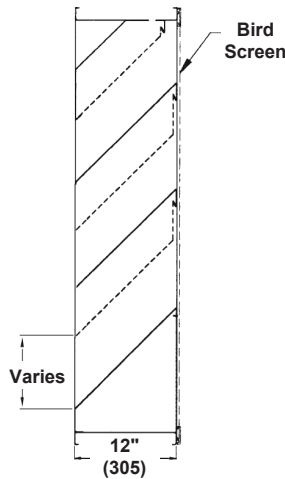
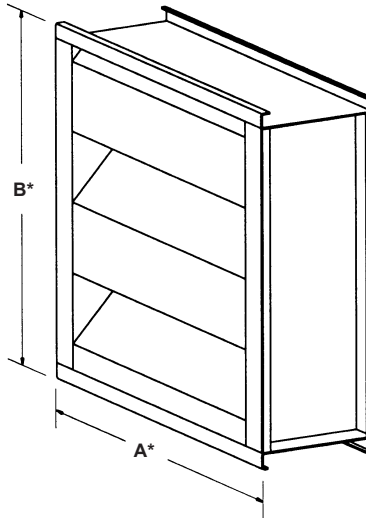
12"w x 18"h (305 x 457).

APPROXIMATE SHIPPING WEIGHT

7 lbs. per sq. ft.

MAXIMUM FACTORY ASSEMBLY SIZE

Shall be unlimited width x 120" (3048). Maximum single section size shall be 60" x 120" (1524 x 3048). Louvers larger than the maximum single section size will require field assembly of smaller sections.



FEATURES

The ACL1245D offers :

- 29% Free Area.
- Insulated blades which provide effective sound attenuation and weather protection.
- Published performance ratings based on testing in accordance with AMCA Publication 511.
- Architecturally pleasing appearance.

VARIATIONS

Variations to the basic design of this louver are available at additional cost. They include:

- Extended sill.
- Front or rear security bars.
- Filter racks.
- A variety of bird and insect screens.
- Selection of finishes: prime coat, 50% PVDF (modified fluoropolymer), epoxy, Pearledize, 70% PVDF, clear and color anodize. (Some variation in anodize color consistency is possible.)

Octave Band/ Frequency (Hz)	Transmission Loss	Free Field Noise Reduction (db) Ruskatherm Blanket
2/125	7	13
3/250	6	12
4/500	14	20
5/1000	16	22
6/2000	13	19
7/4000	11	17
STC	13	
OITC	11	

STC stands for Sound Transmission Class
OITC stands for Outside Indoor Transmission class



IMPACT RESISTANT LOUVER
Basic Protection

See www.AMCA.org for all certified or listed products

This label does not signify AMCA airflow performance certification.

Ruskin certifies that the ACL1245D shown herein is approved to bear the AMCA Listing Label. The ratings shown are based on tests and procedures performed in accordance with AMCA Publications and comply with the requirements of the AMCA Listing Label Program.

The AMCA Listing Label applies to Wind Borne Debris Impact Resistant Louvers.

ACL1245D meets the requirements for the following:

- FBC 2017
- AMCA 540 Listed (Basic Protection)
- Miami-Dade NOA Approval 17-0125.03
- AMCA 500-L Tested

Dimensions in parenthesis () indicate millimeters.

*Units furnished 1/4" (6) smaller than given opening dimensions.

TAG	QTY.	SIZE		FRAME	VARIATIONS
		A*-WIDE	B*-HIGH		
PROJECT				LOCATION	
ARCH./ENGR.				CONTRACTOR	
REPRESENTATIVE				DATE	

SUGGESTED SPECIFICATION

Furnish and install louvers as hereinafter specified where shown on plans or as described in schedules. Louvers shall be stationary acoustical type contained within a 12" (305) frame. Louver components (heads, jambs, sills, blades, and mullions) shall be factory assembled by the louver manufacturer. Louver sizes too large for shipping shall be built up by the contractor from factory assembled louver sections to provide overall sizes required. Louver design shall incorporate structural supports required to withstand a wind-load of 150 lbs. per sq. ft. (7.18kPa) - specifier may substitute any loading required).

Louvers shall be Ruskin Model ACL1245D construction as follows:
 Frame: .125" (3.175) aluminum channel.
 Blades: .081" (2.057) aluminum exterior surface, with .050" (1.27) perforated aluminum interior surface that covers insulation. Blades angle 45° on 12" (305) centers.
 Screen: 5/8" mesh x .040" (16 x 1) expanded flattened aluminum bird screen in removable frame.
 Finish: Select finish specification from Ruskin/Valspar Finishes Brochure.

Published louver performance data bearing the AMCA Certified Ratings Seal for Air Performance, Water Penetration and sound attenuation must be submitted for approval prior to fabrication and must demonstrate pressure drop equal to or less than the Ruskin model specified.

PERFORMANCE DATA

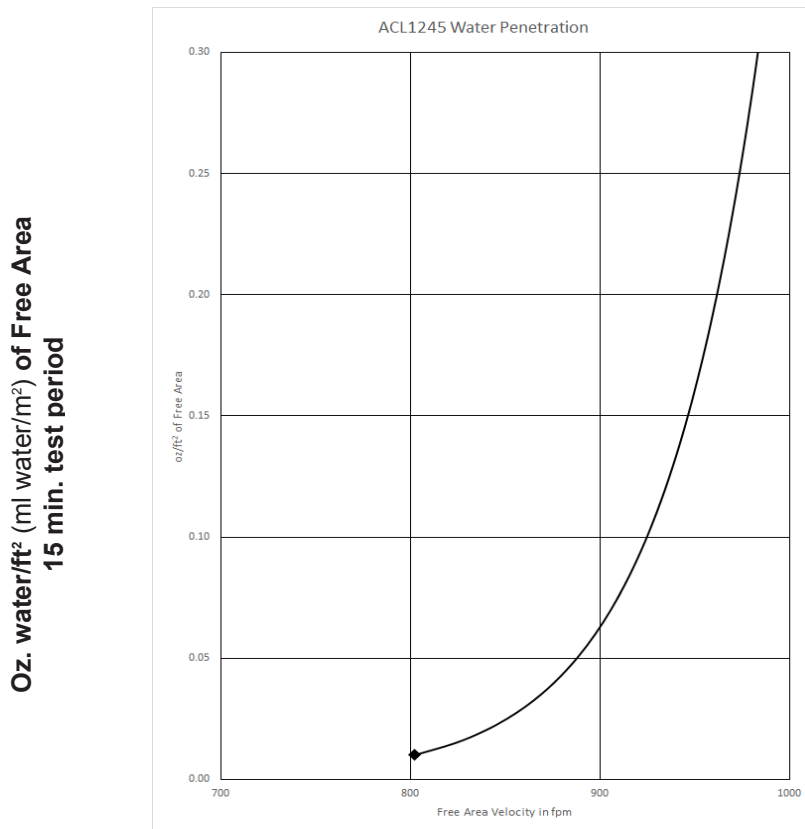
AMCA Standard 500 provides a reasonable basis for testing and rating louvers. Testing to AMCA 500 is performed under a certain set of laboratory conditions. This does not guarantee that other conditions will not occur in the actual environment where louvers must operate.

The louvers system should be designed with a reasonable safety factor for louver performance. To ensure protection from water carryover, design with a performance level somewhat below maximum desired pressure drop and .01 oz./sq. ft. of water penetration.

WATER PENETRATION

Test size 48" wide x 48" high (1219 x 1219)

Beginning point of water penetration at .01 oz./sq. ft. is 803 fpm (245 m/min).



Ruskin Company certifies that the ACL1245D louver shown herein is licensed to bear the AMCA Seal. The ratings shown are based on tests and procedures performed in accordance with AMCA Standard 511 and comply with the requirements of the AMCA Certified Ratings Program. AMCA Certified Ratings Seal applies to air performance ratings, water penetration and sound attenuation ratings only.

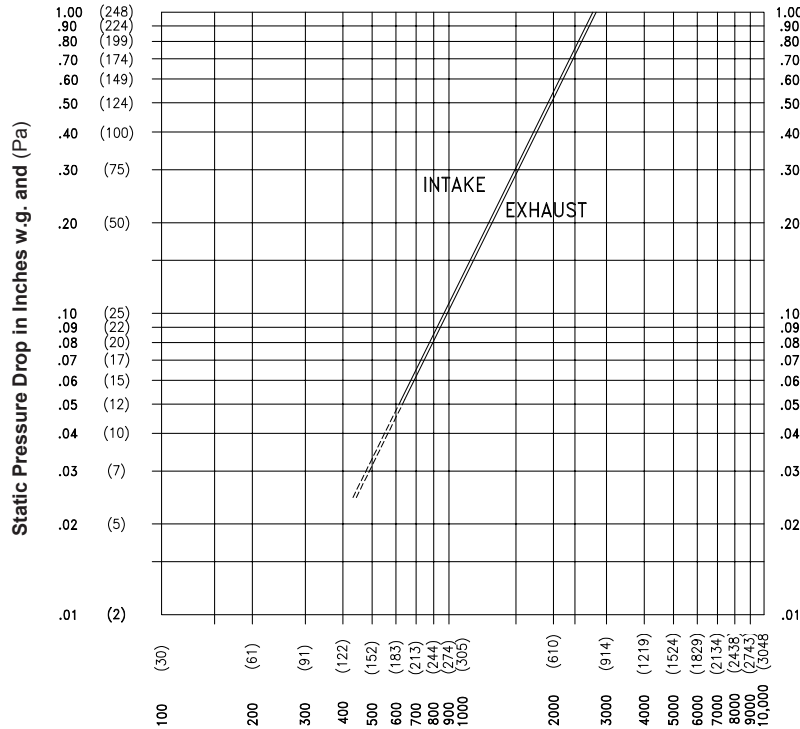
Free Area Velocity in feet (meters) per minute
 Standard air .075 lb/ft³ (1.2 kg/m³)

FREE AREA GUIDE

Free Area Guide shows free area in ft² and m² for various sizes of ACL1245D
Width – Inches and Meters

Height – Inches and Millimeters	12		18		24		30		36		42		48		54		60			
	in	mm	in	mm	in	mm	in	mm	in	mm	in	mm	in	mm	in	mm	in	mm		
18	0.46	11.7	0.61	15.5	0.76	19.3	0.91	23.1	1.07	27.1	1.22	31.0	1.37	34.8	1.52	38.7	1.67	42.5	1.83	46.4
24	0.61	15.5	0.80	20.3	0.99	25.1	1.18	29.9	1.37	34.7	1.56	39.5	1.75	44.3	1.94	49.1	2.13	53.9	2.32	58.7
30	0.76	19.3	0.99	25.1	1.22	31.0	1.45	36.8	1.67	42.5	1.90	48.3	2.13	54.0	2.36	59.7	2.59	65.5	2.82	71.2
36	0.91	23.1	1.22	31.0	1.52	38.7	1.83	46.4	2.13	54.0	2.43	61.7	2.73	69.4	3.03	77.1	3.33	84.8	3.63	92.5
42	1.07	27.1	1.45	36.8	1.83	46.4	2.19	55.6	2.52	64.0	2.85	72.6	3.18	80.3	3.51	88.9	3.84	97.5	4.17	106.1
48	1.22	31.0	1.67	42.5	2.13	54.0	2.59	65.5	3.03	77.1	3.47	88.1	3.84	97.5	4.21	107.3	4.58	116.5	4.90	124.8
54	1.37	34.8	1.83	46.4	2.32	58.7	2.82	71.2	3.33	84.8	3.84	97.5	4.35	110.8	4.86	123.8	5.37	137.1	5.88	148.4
60	1.52	38.7	2.00	50.8	2.59	65.5	3.18	80.3	3.84	97.5	4.58	116.5	5.24	133.1	5.97	151.1	6.66	168.4	7.13	180.7
66	1.68	42.5	2.19	55.6	2.85	72.6	3.51	88.1	4.21	107.3	4.90	124.8	5.56	141.1	6.22	157.8	6.91	175.1	7.60	193.0
72	1.83	46.4	2.32	58.7	3.03	77.1	3.84	97.5	4.64	118.1	5.40	137.1	6.03	153.1	6.72	171.1	7.39	188.4	8.07	205.7
78	1.98	50.2	2.51	63.8	3.21	81.8	4.02	101.8	4.81	122.1	5.60	142.1	6.39	162.1	7.18	182.1	7.97	202.4	8.76	222.0
84	2.13	54.0	2.70	68.6	3.40	86.6	4.21	106.8	5.00	127.0	5.79	146.1	6.58	166.1	7.46	191.1	8.34	211.1	9.23	236.7
90	2.29	57.9	2.90	73.5	3.59	91.4	4.40	111.8	5.19	131.1	5.98	151.1	6.77	171.1	7.64	196.1	8.51	216.1	9.39	241.3
96	2.44	61.7	3.09	78.2	3.78	95.9	4.59	116.5	5.38	136.1	6.17	156.1	6.96	176.1	7.82	199.1	8.69	221.1	9.57	245.9
102	2.44	61.7	3.09	78.2	3.78	95.9	4.59	116.5	5.38	136.1	6.17	156.1	6.96	176.1	7.82	199.1	8.69	221.1	9.57	245.9
108	2.44	61.7	3.09	78.2	3.78	95.9	4.59	116.5	5.38	136.1	6.17	156.1	6.96	176.1	7.82	199.1	8.69	221.1	9.57	245.9
114	2.44	61.7	3.09	78.2	3.78	95.9	4.59	116.5	5.38	136.1	6.17	156.1	6.96	176.1	7.82	199.1	8.69	221.1	9.57	245.9
120	2.44	61.7	3.09	78.2	3.78	95.9	4.59	116.5	5.38	136.1	6.17	156.1	6.96	176.1	7.82	199.1	8.69	221.1	9.57	245.9

PRESSURE DROP



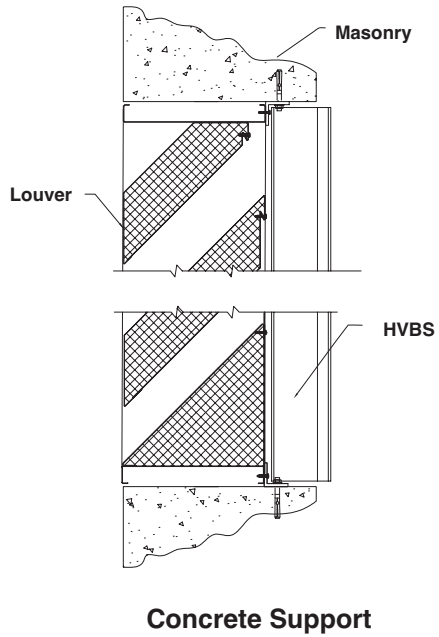
Ratings do not include the effect of a bird screen.

Air Velocity in feet and (meters) per minute through Free Area

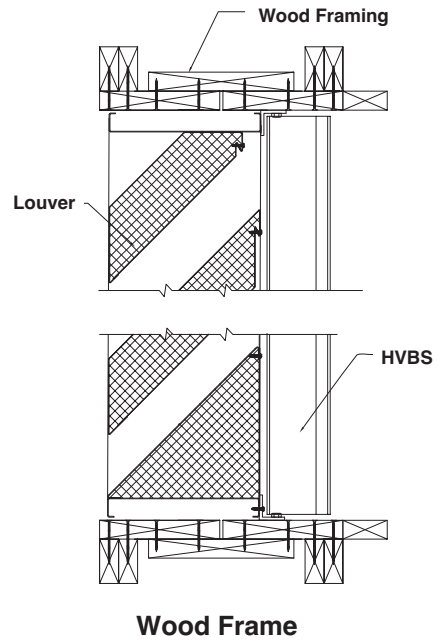
(Data corrected to standard air density and AMCA figure or figures tested to 5.5)

TYPICAL INSTALLATION DETAILS

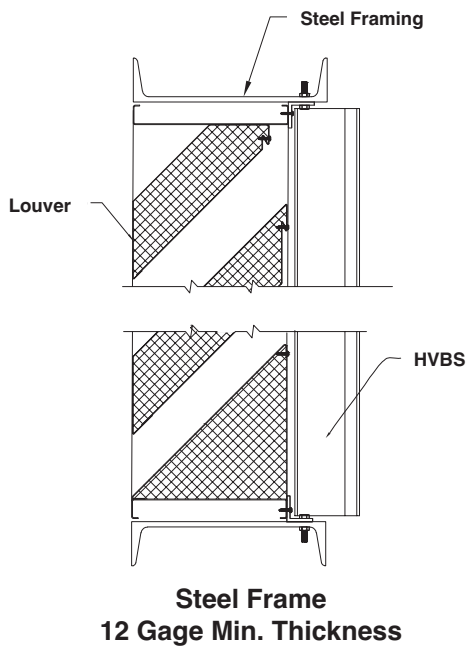
Masonry Wall



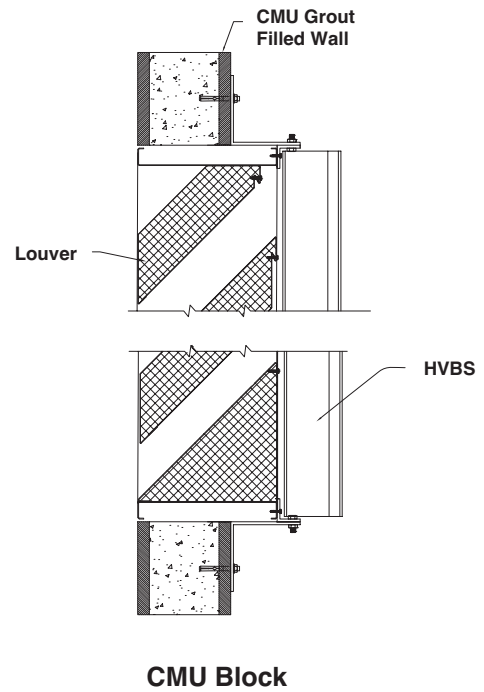
Wood Installation



Metal Panel Wall



CMU Wall



Accessories at additional cost.

RUSKIN®

3900 Dr. Greaves Rd.
Kansas City, MO 64030
(816) 761-7476
FAX (816) 765-8955
www.ruskin.com