

Florida Product Approved Drainable Blade Louver

Application and Design

ESD-635X is a **Florida Product Approved** stationary drainable blade extruded aluminum louver designed to protect air intake and exhaust openings in building exterior walls. ESD-635X is tested in accordance with AMCA 500-L Air Performance and Water Penetration. ESD-635X is tested in accordance with AMCA 540 Test Method for Louvers Impacted by Wind Borne Debris (Basic Protection, Missile Level D and Enhanced Protection, Missile Level E with 0.125 in. frame and blade material thickness).

ESD-635X is licensed to bear the AMCA seal allowing design professionals to select and apply with confidence.

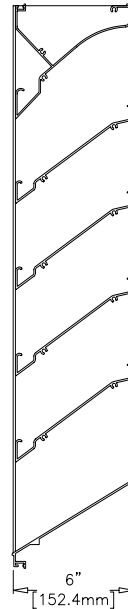
ESD-635X is tested and qualified per the following Florida test protocols: TAS 201 (Large Missile Impact), TAS 202 (Uniform Static Air Pressure) and TAS 203 (Cyclic Wind Loading). ESD-635X is approved by Florida for use in Florida's High Velocity Hurricane Zone. ESD-635X is qualified for wind loads up to 200 PSF (*size and configuration dependent, refer to the UL published certification for size and design load rating restrictions*).

Standard Construction

- Frame** Heavy gauge extruded 6063-T5 aluminum, 6 in. x 0.081 in. nominal wall thickness
- Blades** Drainable style, heavy gauge extruded 6063-T5 aluminum, 0.081 in. nominal wall thickness, positioned at 35° angles on approximately 4 in. centers
- Construction** . . . Mechanically fastened
- Birdscreen** 3/4 in. x 0.051 in. flattened expanded aluminum in removable frame, inside mount (rear)
- Finish** Mill
- Angles** Continuous, Ship Loose (mill finish)
- Minimum Size** . . 12 in. W x 12 in. H
- Maximum Single Section Size** . . . 84 in. W x 144 in. H. or 120 in. W x 84 in. H.

Options (at additional cost)

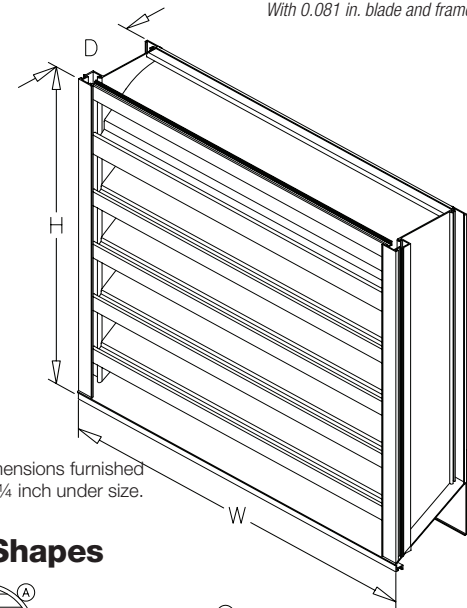
- A variety of bird and insect screens
- Blank off panel
- Extended sill
- Filter rack
- Flanged frame
- Security bars
- Welded construction (*Large Missile Impact Qualified*)
- 0.125 in. nominal wall thickness
- Qualified shapes (*only rectangular shapes maintain AMCA licensed performance data*)
- A variety of architectural finishes including:
 - Clear anodize
 - Integral color anodize
 - Baked enamel paint
 - Kynar paint



With 0.125 in. blade and frame material.

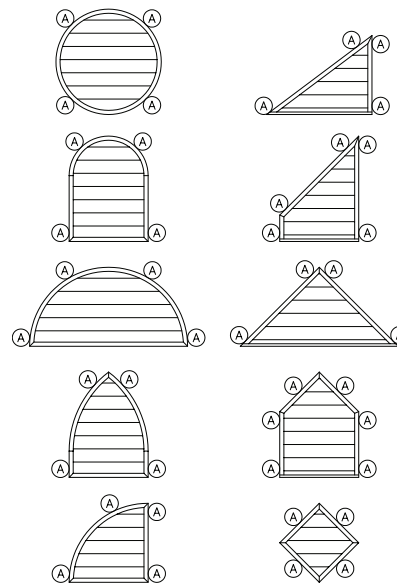


With 0.081 in. blade and frame material.



*Width and height dimensions furnished approximately 1/4 inch under size.

Qualified Shapes



(A) Anchor points

PERFORMANCE DATA

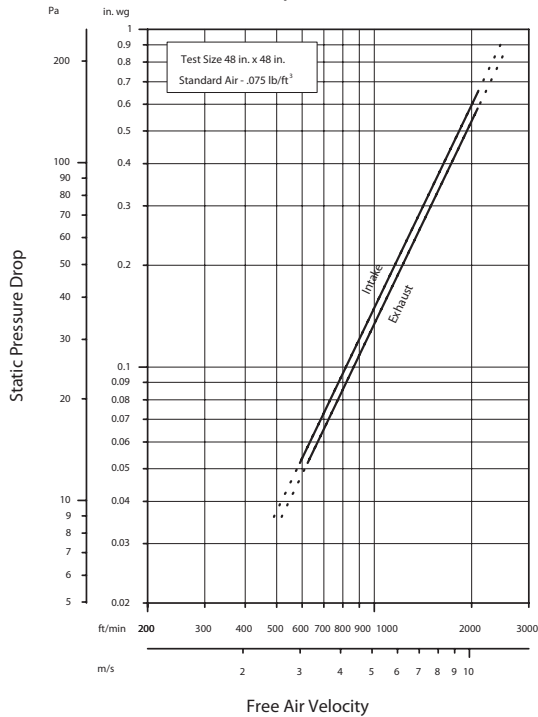
ESD-635X

Free Area Chart (Sq. ft.)

Florida Product Approval No.: FL6876.4, 15718.4
UL Classified: R25119

Louver Height Inches	Louver Width Inches															
	12	18	24	36	42	48	60	66	72	84	90	96	108	114	120	
12	0.19	0.32	0.44	0.69	0.82	0.94	1.16	1.29	1.41	1.66	1.79	1.91	2.13	2.26	2.38	
24	0.77	1.27	1.77	2.77	3.27	3.76	4.64	5.14	5.64	6.63	7.13	7.63	8.51	9.01	9.50	
30	1.05	1.73	2.41	3.77	4.45	5.13	6.32	7.01	7.69	9.05	9.73	10.41	11.60	12.28	12.96	
42	1.62	2.67	3.71	5.81	6.86	7.91	9.74	10.79	11.84	13.94	14.99	16.03	17.87	18.92	19.97	
48	1.92	3.17	4.42	6.91	8.16	9.41	11.59	12.84	14.09	16.58	17.83	19.08	21.26	22.51	23.75	
60	2.49	4.10	5.71	8.94	10.55	12.16	14.98	16.59	18.21	21.43	23.04	24.66	27.48	29.09	30.70	
66	2.75	4.53	6.32	9.88	11.67	13.45	16.57	18.36	20.14	23.71	25.49	27.27	30.40	32.18	33.96	
78	3.31	5.46	7.61	11.91	14.06	16.21	19.98	22.13	24.28	28.58	30.73	32.88	36.64	38.79	40.94	
84	3.62	5.96	8.31	13.00	15.35	17.69	21.80	24.15	26.49	31.19	33.53	35.88	39.98	42.33	44.68	
96	4.18	6.90	9.61	15.04	17.75	20.46	25.21	27.92	30.64	36.06						
102	4.44	7.33	10.21	15.98	18.86	21.74	26.79	29.67	32.55	38.32						
114	5.01	8.26	11.51	18.01	21.26	24.51	30.20	33.45	36.70	43.20						
120	5.31	8.76	12.21	19.10	22.55	26.00	32.03	35.48	38.92	45.82						
132	5.88	9.69	13.51	21.14	24.95	28.77	35.44	39.26	43.07	50.70						
138	6.17	10.17	14.14	22.18	26.18	30.18	37.19	41.19	45.19	53.20						
144	6.45	10.63	14.81	23.17	27.36	31.4	38.85	43.04	47.22	55.58						

Airflow Resistance (Standard Air - .075 lb/ft³)




Model ESD-635X resistance to airflow (pressure drop) varies depending on louver application (air intake or air exhaust). Free area velocities (shown) are higher than average velocity through the overall louver size. See louver selection information. (Test Figure 5.5-6.5)

Water Penetration (Standard Air - .075 lb/ft.3)

Test size 48 in. x 48 in. Test duration of 15 min.

The AMCA Water Penetration Test provides a method for comparing various louver models and designs as to their efficiency in resisting the penetration of rainfall under specific laboratory test conditions. The beginning point of water penetration is defined as that velocity where the water penetration curve projects through .01 oz. of water (penetration) per sq. ft. of louver free area. ***The beginning point of water penetration for Model ESD-635X is above 1250 fpm free area velocity.** These performance ratings do not guarantee a louver to be weatherproof or stormproof and should be used in combination with other factors including good engineering judgement in selecting louvers.



AMCA
WORLDWIDE
CERTIFIED
RATINGS

WATER
PENETRATION
AIR
PERFORMANCE

AIR
MOVEMENT
AND CONTROL
ASSOCIATION
INTERNATIONAL, INC.

Greenheck Fan Corporation certifies that the ESD-635X louvers shown herein are licensed to bear the AMCA Seal. The ratings shown are based on tests and procedures performed in accordance with AMCA Publication 511 and comply with the requirements of the AMCA Certified Ratings Program. The AMCA Certified Ratings Seal applies to air performance and water penetration ratings.



amca
INTERNATIONAL
LISTED

**IMPACT
RESISTANT
LOUVER**
Enhanced Protection Level E

See www.AMCA.org for all certified or listed products

This label does not signify AMCA airflow performance certification.

With 0.125 in. blade and frame material.



amca
INTERNATIONAL
LISTED

**IMPACT
RESISTANT
LOUVER**
Basic Protection Level D

See www.AMCA.org for all certified or listed products

This label does not signify AMCA airflow performance certification.

With 0.081 in. blade and frame material.

Greenheck Fan Corporation certifies that the ESD-635X louvers shown herein are approved to bear the AMCA Listing Label. The Ratings shown are based on tests and procedures performed in accordance with AMCA Publications and comply with the requirements of the AMCA Listing Label Program. The AMCA Listing Label applies to Wind Borne Debris Impact Resistant Louvers.

INSTALLATION DETAILS

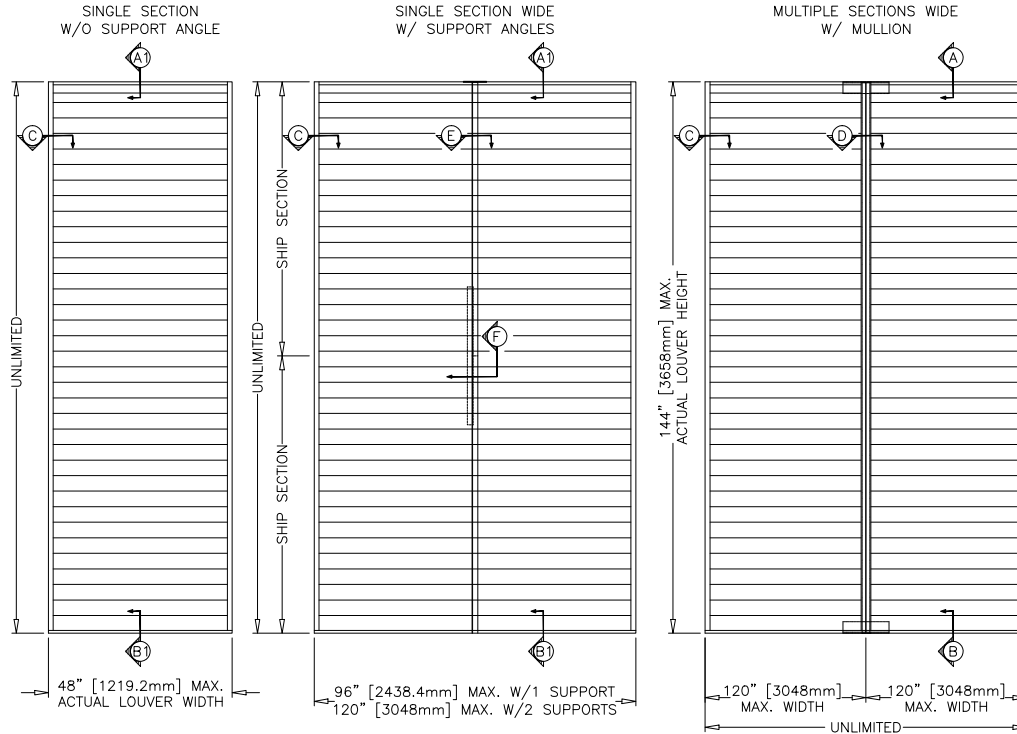
ESD-635X

Florida Product Approval No.: FL6876.4, 15718.4

UL Classified: R25119

Maximum Size and Installation Information

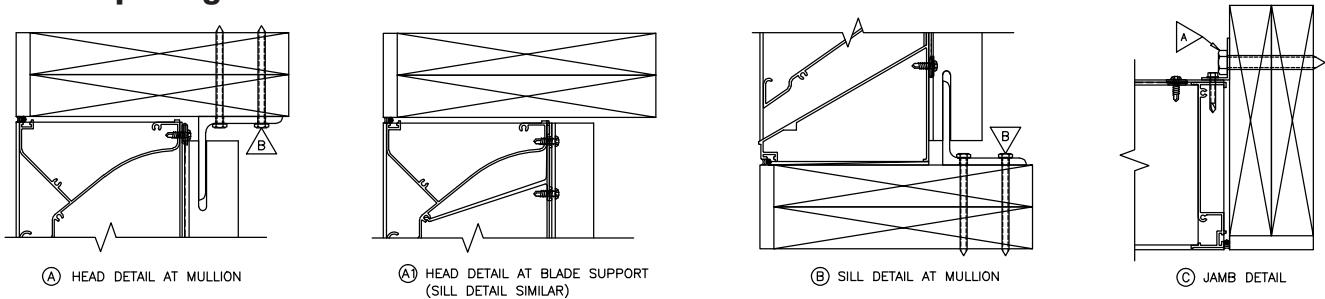
Model ESD-635X is a Florida Product Approved louver and must be installed in accordance with the installation instructions shown herein. Model ESD-635X is qualified for installation within concrete/masonry, steel stud, structural steel or wood framed building conditions. Model ESD-635X is structurally calculated to withstand positive and negative wind-loads up to 200 PSF. The louver section size will determine the actual maximum wind-load that the louver sections will withstand. The maximum single section size can be either 84 in. W x 144 in. H or 120 in. W x 84 in. H. The maximum opening width may be unlimited as multiple sections may be installed side by side in accordance with installation instructions. Structural reinforcing members along with any associated installation hardware is not provided by Greenheck unless indicated otherwise by Greenheck. Options and accessories are not subject to structural analysis unless indicated otherwise by Greenheck.



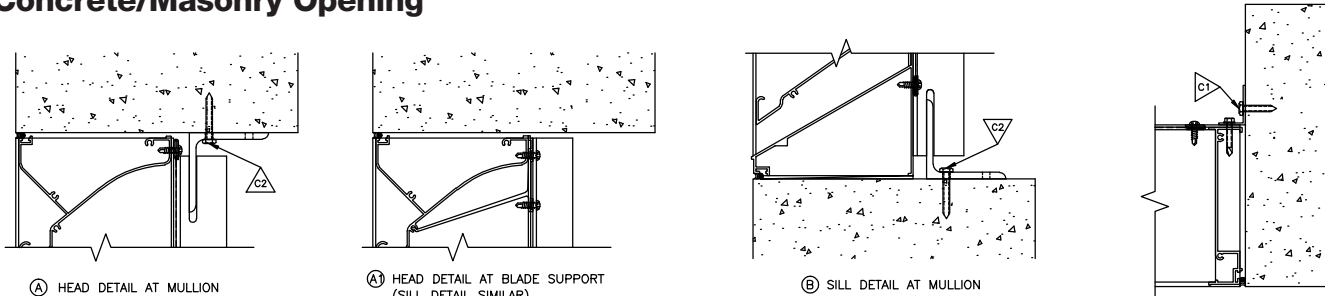
Minimum Single Section Size
12 in. W x 12 in. H

Maximum Single Section Size
84 in. W x 144 in. H. or
120 in. W x 84 in. H.

Wood Opening



Concrete/Masonry Opening



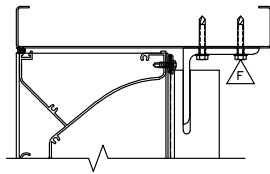
INSTALLATION DETAILS

ESD-635X

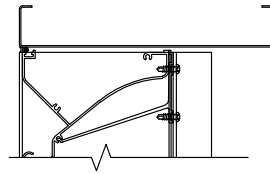
Florida Product Approval No.: FL6876.4, 15718.4

UL Classified: R25119

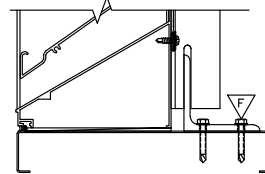
Steel Stud Opening



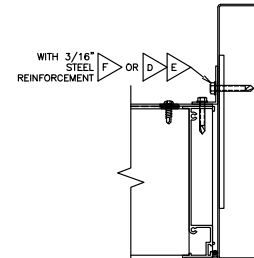
(A) HEAD DETAIL AT MULLION



(A) HEAD DETAIL AT BLADE SUPPORT
(SILL DETAIL SIMILAR)

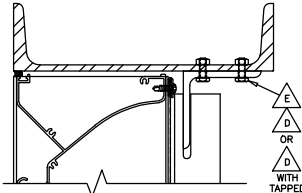


(B) SILL DETAIL AT MULLION

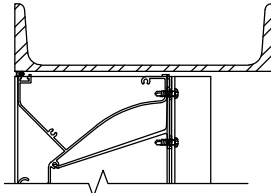


(C) JAMB DETAIL

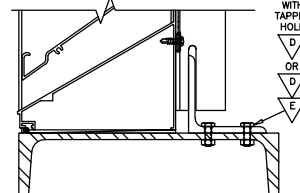
Structural Steel Opening



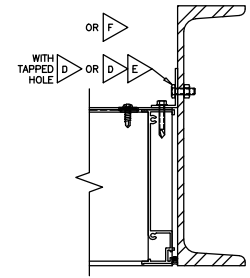
(A) HEAD DETAIL AT MULLION



(A) HEAD DETAIL AT BLADE SUPPORT
(SILL DETAIL SIMILAR)



(B) SILL DETAIL AT MULLION



(C) JAMB DETAIL

FASTENER SCHEDULE (FIELD INSTALLED - NOT BY GREENHECK)

MOUNTING SUBSTRATE	FASTENER TYPE	DESCRIPTION	ANCHOR CLIP LOCATION	QUANTITY	MIN. EMBED.	MIN. EDGE DIST.	SPACING
WOOD	A	1/2" DIA. LAG SCREW	JAMB	VARIES	3"	2 1/2"	6.5"
WOOD	B	1/4" DIA. LAG SCREW	VERT. MULLION (HEAD/SILL)	12 PER CLIP	3"	1/2"	2"
CONCRETE	C1	1/4" DIA. TAPCON ANCH.	JAMB	VARIES	1.25"	1"	3.25"
CONCRETE	C2	1/4" DIA. TAPCON ANCH.	VERT. MULLION (HEAD/SILL)	7 PER CLIP	1.75"	2.5"	2"
MASONRY BLOCK	C1	1/4" DIA. TAPCON ANCH.	JAMB	VARIES	1.25"	1"	3.25"
MASONRY BLOCK	C2	1/4" DIA. TAPCON ANCH.	VERT. MULLION (HEAD/SILL)	7 PER CLIP	1.75"	2.5"	2"
STEEL STUD	D & E	1/4" DIA. BOLT & NUT	JAMB	VARIES	THRU BOLT	1/2"	6.5"
STEEL STUD (3/16" STEEL REINFORCED)	F	1/4" DIA. DRILL FLEX	JAMB	VARIES	FULL	1/2"	6.5"
STEEL STUD	G	1/4" DIA. DRILL FLEX	VERT. MULLION (HEAD/SILL)	12 PER CLIP	FULL	1/2"	2"
STRUCTURAL STEEL	D & E	1/4" DIA. BOLT & NUT	JAMB	VARIES	THRU BOLT	1/2"	6.5"
STRUCTURAL STEEL	D	1/4" DIA. BOLT	JAMB (FIELD DRILL & TAP HOLE)	VARIES	FULL	1/2"	6.5"
STRUCTURAL STEEL	F	1/4" DIA. DRILL FLEX	JAMB	VARIES	FULL	1/2"	6.5"
STRUCTURAL STEEL	D & E	1/4" DIA. BOLT & NUT	VERT. MULLION (HEAD/SILL)	4 PER CLIP	THRU BOLT	1/2"	6.5"
STRUCTURAL STEEL	D	1/4" DIA. BOLT	VERT. MULLION (HEAD/SILL) FIELD DRILL & TAP HOLE	4 PER CLIP	FULL	1/2"	6.5"
STRUCTURAL STEEL	F	1/4" DIA. DRILL FLEX	JAMB	VARIES	FULL	1/2"	6.5"

GENERAL NOTES:

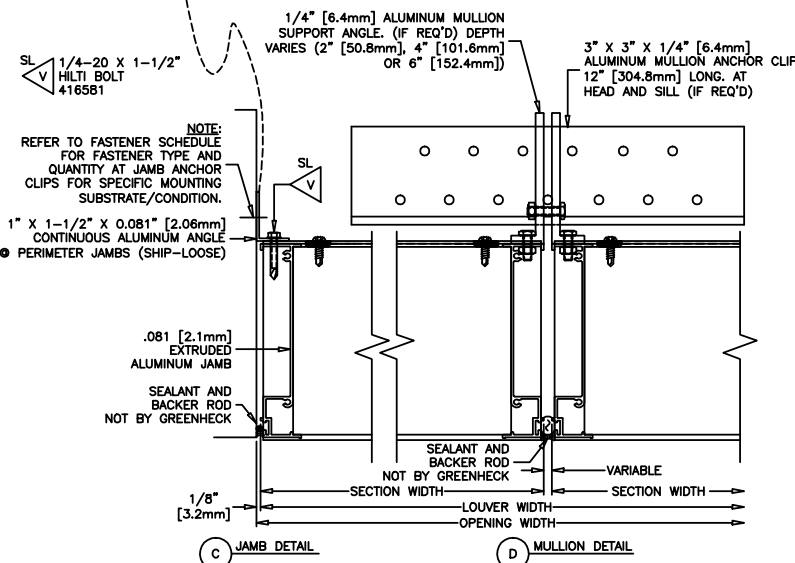
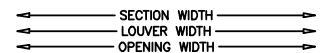
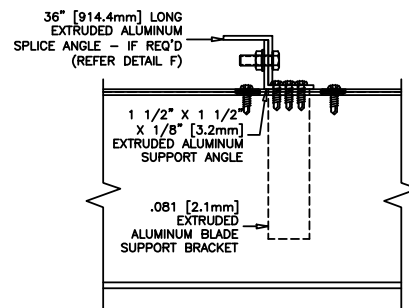
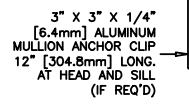
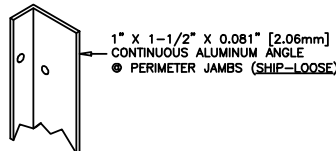
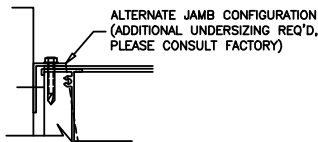
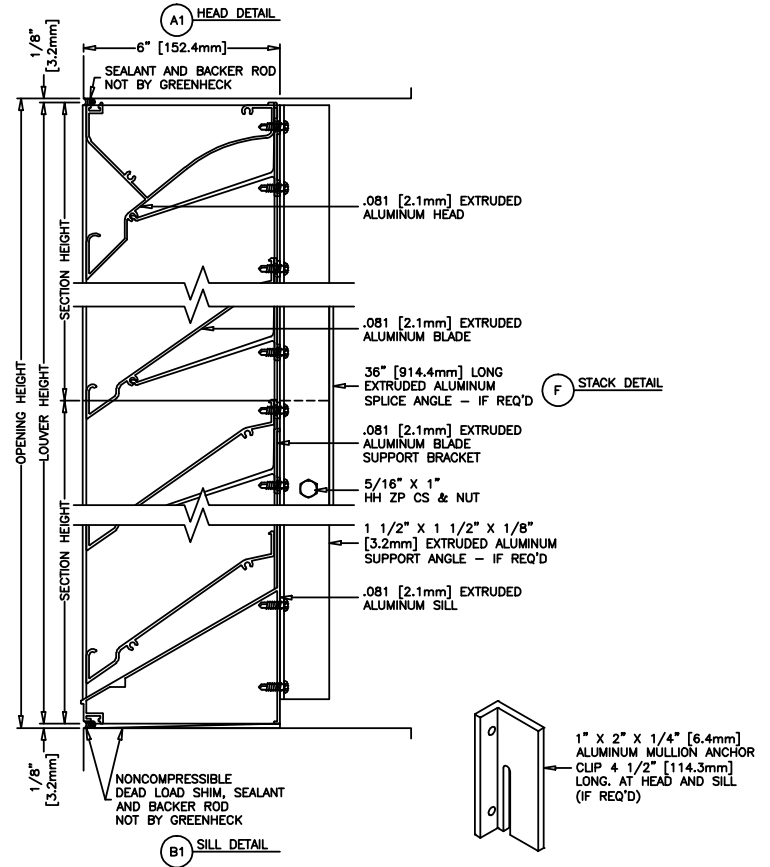
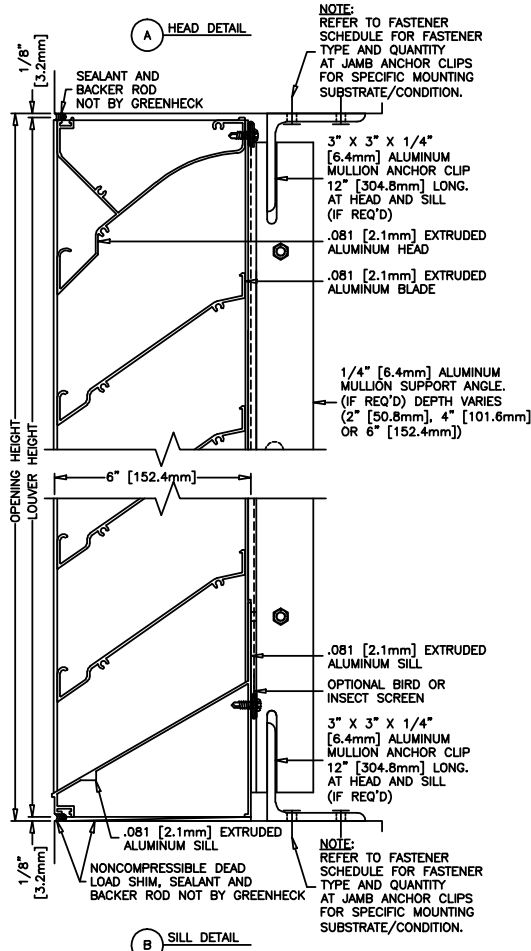
- IT SHALL BE THE RESPONSIBILITY OF THE PERMIT HOLDER TO VERIFY THE STRUCTURAL INTEGRITY OF THE EXISTING STRUCTURE TO SUPPORT THE LOADS SUPERIMPOSED BY THE LOUVERS.
- INSTALLER TO PROVIDE SEPARATION OF DISSIMILAR MATERIALS AS REQUIRED.
- WOOD SUBSTRATE TO BE MINIMUM G = 0.42 DENSITY.
- CONCRETE SUBSTRATE TO BE MINIMUM 3,192 PSI CONCRETE OR 3,192 PSI GROUT FILLED ASTM C-90 HOLLOW BLOCK AT HEAD/SILL MULLION ANCHORS.
- CONCRETE SUBSTRATE TO BE MINIMUM 3,192 PSI CONCRETE OR ASTM C-90 HOLLOW BLOCK AT JAMB ANCHORS.
- STEEL STUD OPENINGS (16 GA. MINIMUM THICKNESS) TO BE MINIMUM $F_y = 33$ ksi.
- STRUCTURAL STEEL OPENINGS (1/4" MINIMUM THICKNESS) TO BE MINIMUM $F_y = 36$ ksi.

PRODUCT DETAILS

ESD-635X

Florida Product Approval No.: FL6876.4, 15718.4

UL Classified: R25119

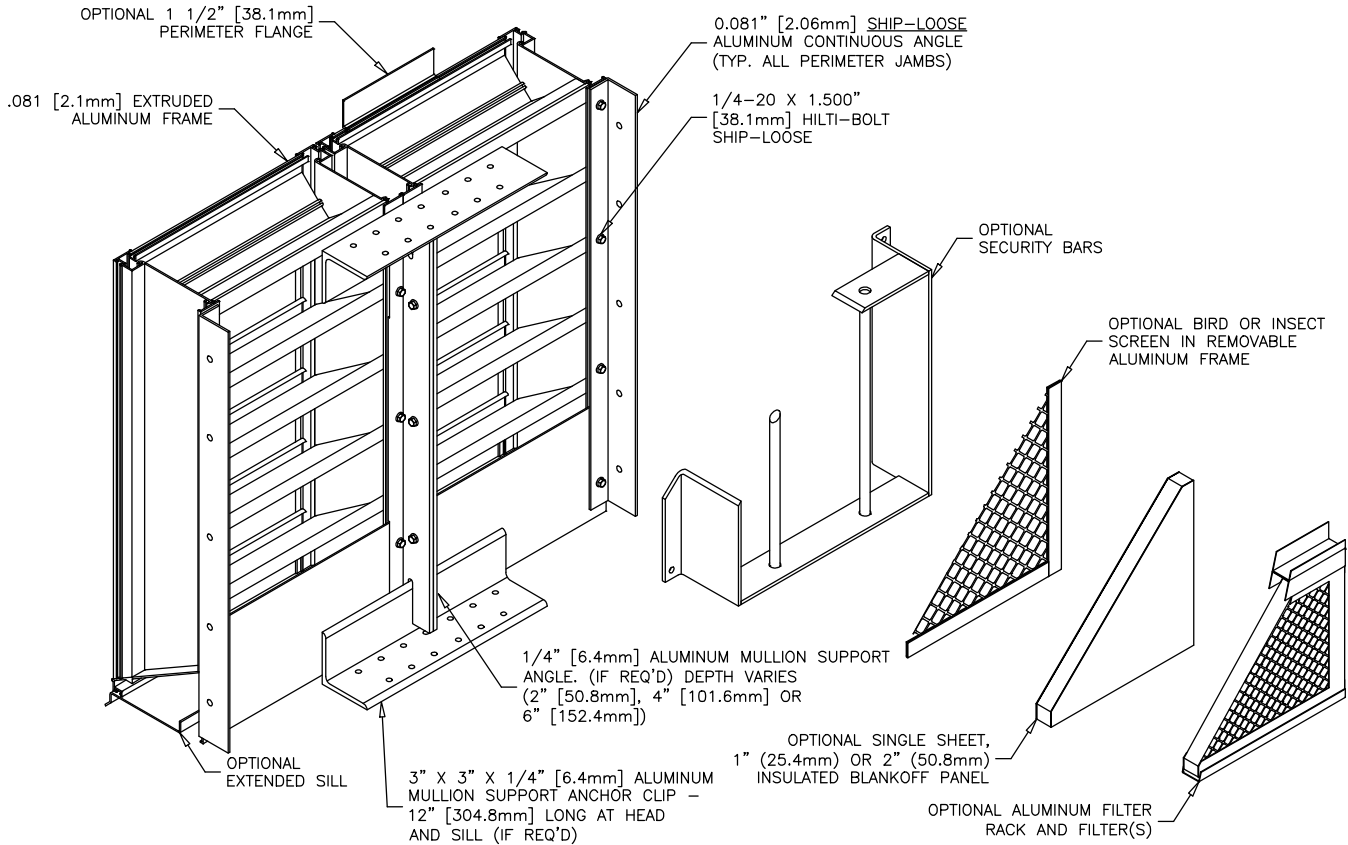


OPTION DRAWINGS

ESD-635X

Florida Product Approval No.: FL6876.4, 15718.4

UL Classified: R25119



FINISHES

Finish Type	Description/Application	Color Selection	Standard Warranty (Aluminum)
AAMA 2605 100% Fluoropolymer (FEVE) 2-Coat 70% Kynar® (PVDF) 3-Coat 70% Kynar® (PVDF) 4-Coat 70% Kynar® (PVDF)	"Best." The premier finish for extruded aluminum. Tough, long-lasting coating has superior color retention and abrasive properties. Resists chalking, fading, chemical abrasion and weathering.	Standard Colors: Any of the 27 standard colors shown can be furnished in 70% or 50% Kynar®, 100% Fluoropolymer or Baked Enamel.	10 Years (20 Years Optional)
AAMA 2604 50% Kynar® / Acroflur®	"Better." Tough, long-lasting coating has excellent color retention and abrasive properties. Resists chalking, fading, chemical abrasion and weathering.	Mica Colors: Greenheck offers 6 standard Mica colors for 70% Kynar® or 100% Fluoropolymer.	5 Years
AAMA 2603 Baked Enamel	"Good." Provides good adhesion and resistance to weathering, corrosion and chemical stain.	Custom Colors: Custom color matching is available. Consult your Greenheck representative for cost and/or lead-time implications if a custom color is required.	1 Year
AA-M10C22A42 Integral Color Anodize	"Two-step" anodizing is produced by following the normal anodizing step with a second, colorfast process.	Light, Medium, Dark or Extra Dark Bronze; Champagne; Black	5 years
AA-M10C22A41 Clear Anodize 215 R-1	Clear, colorless and hard oxide aluminum coating that resists weathering and chemical attack.	Clear	5 years
AA-M10C22A31 Clear Anodize 204	Clear, colorless and hard oxide aluminum coating that resists weathering and chemical attack.	Clear	1 Year
Prime Coat	Louvers or architectural products shall be cleaned, pre-treated and receive a prime coat finish suitable for field painting. Greenheck does not recommend prime coat or field painting of materials.		n/a
Mill	Materials may be supplied in natural aluminum or galvanized steel finish when normal weathering is acceptable and there is no concern for color or color change.		n/a

Finishes meet or exceed AAMA 2605, AAMA 2604, and AAMA 2603 requirements. Please consult www.greenheck.com for complete information on standard and extended paint warranties. Paint finish warranties are not applicable to steel products.



ESD-635X

February 2020

Copyright © 2020 Greenheck Fan Corporation

Greenheck Fan Corporation reserves the right to make product changes without notice.