

本公司保留更改样本的权利，恕不另行通知。
INFINAIR reserves the right to make changes to this catalogue in whole or in part without prior notice.

Catalog YFIMF-D REV.1 January 2020

INFINAIR® 英飞

YFIMF-D

高效全混流风机

Inline mixed flow fan-wheel type F

- “猎风者”系列专利的全混流叶轮设计，前盘与入口文丘里管精密配合，减少气体泄漏和紊流
- 全混流噪声特性，低频安静，气流经导流栅整流后更顺畅，进一步提高静压效率，降低噪声
 - 叶轮及过流部件模具成型，专机定位连续焊接，一致性好，可靠性高
 - 直联多叶片角度选择，带联转速配比，性能范围更广，选型更优
- 通过多项权威认证：AMCA, CCCf, CNEX, TUV
- 平衡等级高达G2.5 (AMCA 204)



INFINAIR® 英飞

英飞同仁风机股份有限公司
INFINAIR CORPORATION

地址：上海市嘉定区外冈镇清能路55号
Add: NO. 55 Qingneng Road, Waigang Town,
Jiading District, Shanghai
邮编 (P.C) : 201806
电话 (Tel) : 86 21 39185688-6896
售后服务电话 : 400 821 3316
Http: //www.infinair.com.cn



公司介绍

秉承绿色环保与智能互联的未来发展理念，英飞风机始终坚持在通风领域，坚持不懈投入研发，并以“可靠便利，环保节能，智能互联”作为我们试图为您创造的核心价值。

成立时间：2003年9月
 占地面积：33,000 m²
 地址：上海市嘉定区清能路55号

服务网络：

公司的营销和服务网络覆盖中国和全球主要地区（包括亚太、北美、欧洲、中东等地），为客户提供及时的技术支持和可靠的售后服务。

公司愿景：

成为最值得信任的专业空气运动与控制、调节品牌

公司使命：

提供最可靠、便利的空气运动与控制、调节服务

荣誉资质：

高新技术企业
 上海著名商标：**INFINAIR®英飞**
 上海名牌产品：英飞风机
 SGS ISO 9001、ISO 14001、OHSAS 18001管理体系认证

技术实力：

英飞空气动力实验室，荣获CNAS（中国合格评定国家认可委员会）国家实验室认可
 中国大陆首家荣获AMCA（国际空气运动与控制协会）认可的实验室
 众多产品具备国际AMCA认证、TUV认证、CE认证，国家防爆及消防认证等



INFINAIR CORPORATION certifies that the Model YFIMF-D shown herein is licensed to bear the AMCA Seal. The ratings shown are based on tests and procedures performed in accordance with AMCA Publication 211 and AMCA Publication 311 and comply with the requirements of the AMCA Certified Ratings Program.



Company Info

INFINAIR is committed to providing high-quality products and friendly services to our customers throughout the world. We strive to consistently meet or exceed our quality standards in the design, manufacturing and distribution of products to our customers. We are also determined to be different in caring our environment through innovative ideas.

Established: September, 2003
 Area : 33,000m²
 Company Address: No.55, Qingneng Road, Waigang Town, Jiading District, Shanghai, P.R. China

Extensive Service Network:

INFINAIR's extensive marketing and service network covers China and major regions of the world (including Asia Pacific, North America, Europe, the Middle East, etc.), providing customers with timely technical support and reliable after-sales service.

Company Vision:

To be the most trusted brand in ventilation industry.

Company Mission:

Provide reliable, convenient air movement controls, operations and services.

Awards and Achievements:

High-tech Enterprise
 Renowned Shanghai Trademark: **INFINAIR®英飞**
 Shanghai Famous Brand Product : INFINAIR FAN
 SGS ISO 9001, ISO 14001 and OHSAS 18001 Management Certificates

Technological Strength:

INFINAIR's Air Movement & Sound Laboratory is the first Air Movement and Control Association (AMCA) accredited laboratory in mainland China.
 It is also certified by Chinese National Accreditation Service for Conformity Assessment (CNAS).
 Most of the INFINAIR's products are tested and certified by many international certification bodies such as AMCA, TUV , CE, CCC, CNEX, etc.



中国合格评定国家认可委员会(CNAS)国家实验室认可证书



Certificate Issued by Chinese National Accreditation Service for Conformity Assessment (CNAS)



AMCA (国际空气运动与控制协会) 实验室认可证书
 Certificate of AMCA (Air Movement and Control Association) Accredited Laboratory

英飞智能通风技术

- **智能需求感知**：随荷载变动、环境变化动态确定运行目标。
- **智能工况调整**：变频或EC智能控制技术在智能调速软件的动态控制下，性能紧密贴近真实需求。
- **智能实时通讯**：通过多种通讯技术，链接互联网或局域网，实现与中控系统及移动终端的智能通讯。
- **智能预警**：可靠的传感器提供了故障的早期征兆，实现智能预警，保证系统稳定运行。

飞鹰服务

- **联合研发**：通过与客户共同开发，以及质量的先期策划，来快速提供真正有效的解决方案。
- **配套定制**：我们的定制服务通过渐进明晰的过程，帮助您找到精确的需求。
- **敏捷服务**：遍布全国的英飞售后服务工程师，敏捷提供专业服务。

绿色智能环保技术

- **流场模拟分析技术**：
对叶轮气动模型的性能（风量，风压，功耗，声音）预测提供模拟计算，不必制作样机而预知性能，快速优化。
- **有限元分析技术**：
针对受力和材料特性进行结构可靠性分析。

英飞仿生技术

- **英飞节能仿生**
鸚鵡螺为什么可以轻松浮动和游走？鸟类是如何以极低的能耗翱翔千里？
- **英飞降噪仿生**
猫头鹰的静音飞行，为什么敏感的老鼠也毫无察觉？自然界生物在千万年进化过程中，如何节约能量进行迁徙，或者在抓捕猎物的时候做到悄无声息？仿生技术对于英飞风机的研发，提供了重要的灵感。

英飞智能制造技术

- 智能化生产流水线
- 在线测功、动平衡和通讯检测
- 机器人焊接工艺
- 敏捷的精益生产
- 6Σ体系

认证及检测

- **产品普遍通过国内外认证**：
CCCf, AMCA, TUV, CE, ATEX, UL, RoHS, ErP2015等。
- **产品性能及可靠性检测**：
风量，风压，功率，声音，高低温耐久，盐雾，淋雨等。

物联

- 矩阵互联
- 中控互联
- 终端互联



INFINAIR's Intelligent Ventilation Technology

- **Smart Needs Identification**:
It can dynamically adjust the operation target to the changing load and environment.
- **Intelligent Adjustment**:
The use of inverter or EC smart control technology can make the fans achieve best results under the control of the intelligent speed regulation system.
- **Intelligent Real-time Information**:
Individual workstations are linked to the central control system through internet or local area network.
- **Intelligent Detection System**:
Reliable sensors can detect early symptoms and notify the user, ensuring stable operation.

INFINAIR's After-sales Service

- **Joint Research & Development**
The Joint R&D can provide customer the necessary support and guidance during the initial research progress.
- **Customization**
Our products are fully customizable. We are able to satisfy customer requirements on an individual basis.

Green Smart Technology

- **CFD Simulation & Analysis**
A computer-aided air movement simulation model can calculate the efficiency of the fan based on the number of blades, blade angle, width, and sound level.
- **Finite Element Analysis Technology**
To analyze and provide accurate prediction of how material is likely to respond when subjected to structural and/or thermal loads.

INFINAIR's Bionic Technology

- **INFINAIR's Bionic Energy Conservation**
We develop energy saving products by observing behaviors from the animal kingdom. How can birds fly thousands of miles with extremely low energy consumption?
- **INFINAIR's Bionic Sound Reduction**
Why owls can fly so silently? Even mice are not being able to detect their approach? The research and development of INFINAIR's products are heavily inspired by the animal evolution over the past millenniums. We have learnt how energy and sound are being able to conserve from their amazing changes.

INFINAIR's Intelligent Fabrication

- Intelligent fabrication process
- Power test, dynamic balancing test and communication test performed on the production line
- Robotic welding technology
- Lean production
- 6Σ system

Certifications and Tests

- **Most of the products are certificated by**:
CCCf, AMCA, TUV, CE, ATEX, UL, RoHS and ErP2015.
- **Performance and Reliability Tests**:
Airflow, Air Pressure, Power, Sound Level, Temperature Durability, Salt Spray and Water Proof Test, etc.

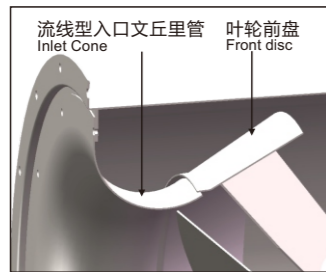
Connectivity

- Matrix Connection
- Central Connection
- Terminal Connection

“猎风者”系列全混流叶轮
“Wind Hunter” series Mixed Flow Impeller

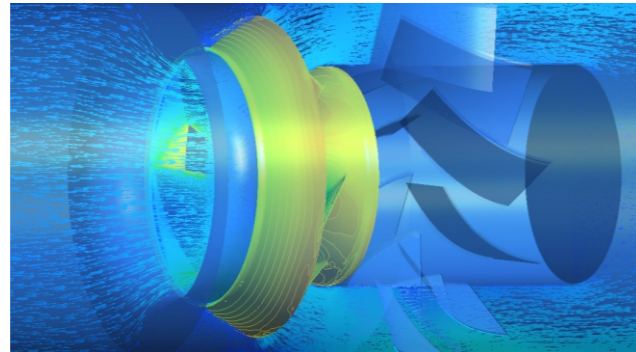
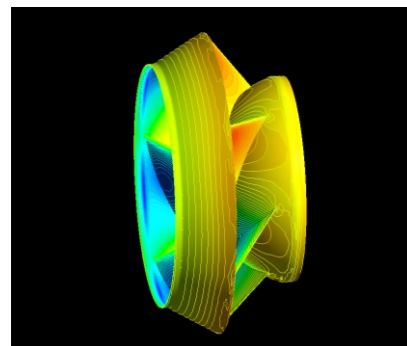
全新的叶轮形式
Brand New Impeller Design

全混流叶轮自带与入口文丘里管精密配合的前盘，减少气流泄漏和紊流，提升效率、降低噪声。
The inlet bell and the shroud cover are precisely connected, minimizing the backflow and leakage caused by pressure difference.



先进的设计方法
Advanced Design

采用CFD流场模拟与实验验证的方法，反复优化的气体通道设计，使得该系列叶轮效率较传统混流叶轮大幅提升。
Unique airflow characteristics. Our engineers have repeatedly optimized the wheel with countless CFD simulations.



先进的加工工艺
Advanced Fabrication

叶轮及过流部件采用模具成型，专机定位连续焊接，强度高，定位准确，确保加工的精度，产品性能更可靠。
The wheel and other fixtures are made from a special designed mold and are continuously welded. Ensuring maximum strength is maintained.

高平衡等级
High Balancing Level

叶轮经过两次动平衡校验，分别是在焊接完工后及表面环氧喷涂处理后，其平衡等级高达G2.5 (AMCA 204标准)，远高于国标要求的G6.3等级，大幅提升叶轮运转的平稳性，降低振动和噪声。
The balancing level of the wheel is up to G2.5 (AMCA 204) which is much higher than the standard G6.3 required internationally. Stability is greatly increased thus lowering the vibrations and noise.

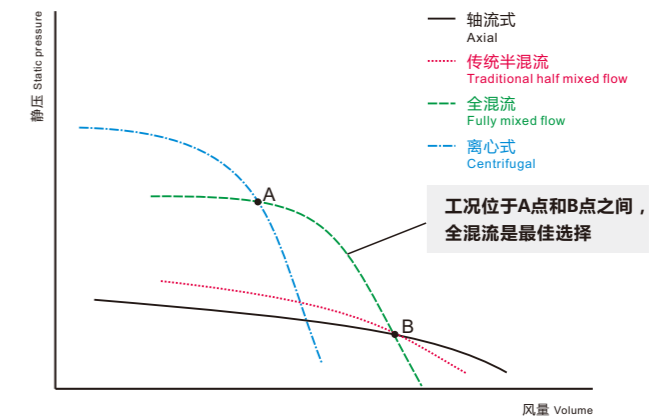
最佳的声音特性
Lowest Noise Level

性能介于轴流与离心叶轮之间的全混流叶轮，我们通过AMCA噪声实验室 (AMCA 300标准) 检验发现，全混流拥有最佳的声音特性，人耳感受更轻。
The YFIMF-D has the lowest noise level over the axial and the centrifugal fan.

产品特点
Product Characteristics

全混流的性能特性
Performance Characteristics

全混流的性能介于轴流与管道离心风机之间，区别于传统混流偏轴流的性能特性，拥有更高的效率和更低的噪声，与管道离心式相比，风量更大，与轴流式相比，压力更高。在图示AB区间选型时，相同转速下全混流比管道离心式机号小，在相同机号下全混流比轴流式转速低。
The mixed flow fan has larger air volume over the centrifugal fan and higher air pressure over the axial fan. When placing them under the same working conditions, the mixed flow fan has more advantages over the others in terms of performance and noise level.



高效率，大大节省运行成本
High Efficiency

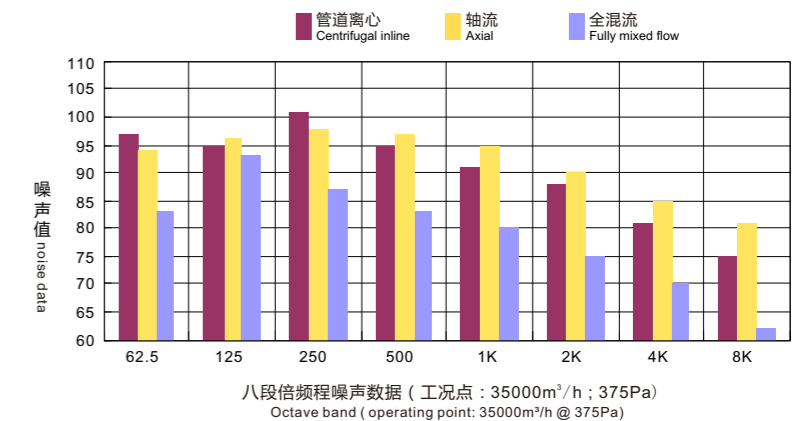
通过反复优化的叶轮以及内风筒上导流栅的设计，确保气体在输送过程中拥有最佳的流动特性，减少紊流、泄漏损失，提升效率。
获得中国能效等级1级认证。

The design of the wheel and guide vane has been repeatedly optimized to assure high efficiency, leakage free and low turbulence.
The models YFIMF-D shown herein are rating 1 of China Energy Label.



完美的声音品质：低频，更安静
Better Sound Proofing

全混流风机的静音品质来源于它的气动结构设计以及总声功率及的衰减。如图，基于同等出风口尺寸的工况选型，全混流风机在各个频率段噪声都远低于轴流和双进风离心风机箱，且噪声值主要集中在低频区域 (62.5-250Hz)，人耳感觉更柔和和安静。
The noise of the mixed flow fan is determined by its structural design and changes in acoustical power (see fig. below). The noise generated in each air volume segment is much lower than the axial and centrifugal fan with low acoustical level (62.5-250Hz).



直联全系列，选型更灵活
Flexible Direct drive Option

直联型每个规格有6种不同叶轮角度的叶轮可选，满足多样化参数选型的需要，且拥有更高的传动效率、无易损件，维护率低、结构紧凑、节省安装空间的特点。

Direct drive type has six different blade angles available for selection. A solid low maintenance product designed for delivering efficient air flow.

产品功能全、应用广
Comprehensive Functionality

功能：普通送排风、防爆送排风、消防排烟、实验室排风等。

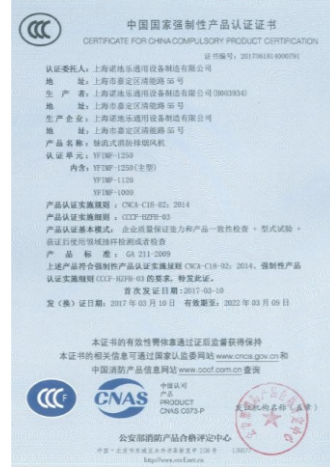
安装：座地安装、吊装、屋顶安装。

It can be used in normal air delivery, explosion resistant, fire & smoke or static-free application.

专利和认证
Patent and Certifications



国家专利产品
National Patented product



国家消防认证 (CCCf)
CCCf China Compulsory certificate



国家防爆认证 (CNEX)
CNEX China explosion resistant certificate



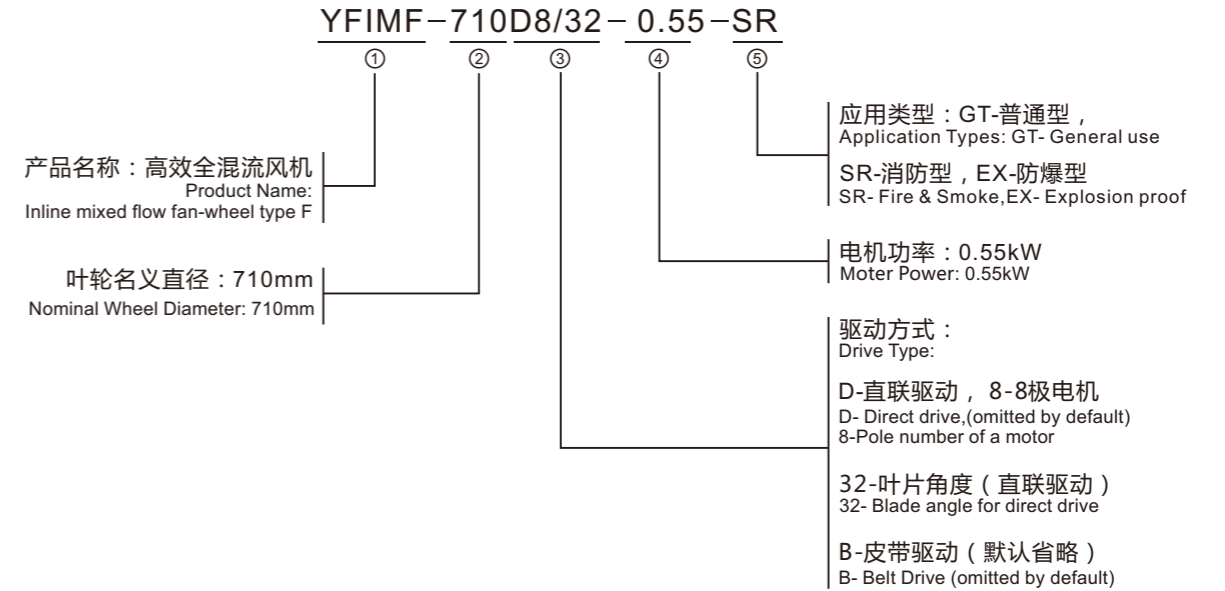
AMCA声音与空气动力性能印章
AMCA Sound and Air Performance Seal



南德消防认证 (TUV)
300°C 120分钟
TUV SUD Fire & Smoke certificate

命名规范

Model Number Code



可选附件

Optional Accessories

● **检修开关 Service Switch**

安全检修开关可用在维护风机时可靠切断电源，确保人身安全；
It is designed like a master switch for shutting off all power when necessary.

● **减振器 Vibration Isolators**

减振器可选吊装或座地安装型，材料可选丁氟橡胶或弹簧；
Rubber or spring vibration isolator. It can either be base-mounted or ceiling hung.

● **软接头和对法兰 Flexible Connector and Companion Flange**

进风口软接头和对法兰，方便现场安装配置；
Inlet/ outlet flexible connector and companion flange. Provide handy solution for on-site installation.

● **进出风口防护网 Inlet/Outlet Guard**

保证风机运行安全，防止风机运转时造成人身伤害；
Prevent accidental injuries while the fan is in operation.

● **全封闭皮带护罩 Totally Closed Belt Guard**

保证风机运行安全，防止风机运转时造成人身伤害；
Prevent accidental injuries while the fan is in operation.

● **指定颜色 Colors**

可根据客户需求进行喷涂颜色的选择，与安装现场搭配更协调。
Different color coating can be selected according to customer's installation requirement.

Model: YFIMF-400D												Motor Frequency:50Hz		
RPM=1450r/min														
叶片角度	风量	全压	静压	轴功率	八段倍频程 (dB)								声功率级	声压级
Deg	m³/h	Pa	Pa	kW	1	2	3	4	5	6	7	8	LwA	dBA
30°	1067	177	175	0.147	77	85	76	70	70	67	65	55	76	65
	1195	169	166	0.147	78	85	75	70	70	67	65	55	76	64
	1479	152	148	0.147	81	85	75	69	69	67	65	55	76	64
	1627	106	101	0.147	72	86	75	69	69	67	64	54	76	64
	1966	7	0	0.129	72	85	76	74	71	68	65	55	77	66
32°	1047	187	185	0.152	77	86	76	70	70	67	65	55	76	65
	1297	175	171	0.154	78	85	75	70	69	67	65	55	76	64
	1546	162	158	0.157	80	85	75	69	69	67	65	55	75	64
	1796	108	102	0.153	75	85	75	70	69	67	65	54	76	64
	2170	9	0	0.137	74	85	76	74	72	69	65	55	77	66
34°	1028	197	195	0.157	77	87	76	70	69	67	66	56	76	65
	1327	184	181	0.162	78	86	75	69	69	67	66	56	76	64
	1626	172	166	0.167	80	84	75	69	69	67	66	55	75	64
	1925	122	115	0.163	77	84	75	70	69	67	65	54	76	64
	2374.3	10.7	0.0	0.145	75	84	76	74	72	70	66	55	78	66
36°	1008	207	205	0.162	77	88	76	69	68	67	66	57	77	65
	1776	178	172	0.178	80	83	76	69	68	67	66	56	75	64
	2105	128	120	0.171	79	83	76	70	69	67	66	55	76	64
	2322	75	65	0.160	78	83	76	72	71	69	66	55	77	65
	2578	12	0	0.154	77	84	77	74	72	70	66	56	78	66
38°	1228	223	221	0.187	77	87	77	72	70	68	69	60	78	66
	1577	207	202	0.195	78	86	76	71	70	67	68	58	77	65
	1927	191	184	0.202	80	86	76	70	69	67	66	55	76	65
	2277	139	129	0.200	78	84	75	71	70	67	65	54	76	64
	2801	15	0	0.188	77	83	77	75	72	70	66	55	78	66
40°	1448	240	236	0.212	77	85	79	76	72	69	72	64	80	68
	2175	200	192	0.228	81	89	76	71	69	66	65	54	77	66
	2502	142	130	0.229	78	84	75	72	70	67	64	54	76	65
	2767	79	64	0.221	77	83	76	74	71	68	65	54	77	66
	3025	17	0	0.223	77	83	77	76	72	69	66	55	78	67

Performance certified is for installation type B - free inlet, ducted outlet. Performance ratings do not include the effects of appurtenances(accessories). Values shown are for inlet Lwi and LwiA sound power levels for Installation type B: free inlet, ducted outlet. The sound power level ratings shown are in decibels, referred to as 10⁻¹² Watts, calculated per AMCA International Standard 301. The A-weighted sound ratings shown have been calculated per AMCA International Standard 301. dBA A-weighted sound pressure levels based on 11.5dB sound attenuation per octave band at 1.5m. Note that dBA levels are not licensed by AMCA International.

Model: YFIMF-450D												Motor Frequency:50Hz		
RPM=1450r/min														
叶片角度	风量	全压	静压	轴功率	八段倍频程 (dB)								声功率级	声压级
Deg	m³/h	Pa	Pa	kW	1	2	3	4	5	6	7	8	LwA	dBA
30°	1519	224	221	0.264	80	89	79	74	74	71	69	58	80	68
	1702	214	211	0.264	82	89	79	74	74	71	69	58	80	68
	2106	193	188	0.264	85	89	78	73	73	71	69	58	79	68
	2316	135	128	0.264	76	90	78	73	73	71	68	57	79	68
	2800	9	0	0.232	76	89	79	77	75	72	69	58	81	69
32°	1491	236	234	0.274	80	90	79	74	73	71	69	59	80	68
	1846	221	217	0.278	82	89	79	73	73	71	69	59	80	68
	2202	205	200	0.282	84	88	79	73	73	71	69	59	79	68
	2557	137	129	0.276	78	89	79	74	73	71	69	58	79	68
	3090	11	0	0.247	78	88	80	77	76	73	69	59	81	70
34°	1463	249	246	0.283	80	91	79	73	73	71	70	60	80	69
	1889	233	229	0.292	82	89	79	73	73	71	70	59	80	68
	2315	217	211	0.301	84	88	79	73	72	71	70	59	79	68
	2741	155	146	0.293	81	88	79	74	73	71	69	58	79	68
	3380.5	13.6	0.0	0.262	79	88	80	77	76	73	70	59	81	70
36°	1435	262	259	0.292	80	92	79	73	72	71	70	60	80	69
	2529	225	218	0.321	84	87	79	73	72	71	70	59	79	68
	2997	162	152	0.308	83	87	79	74	73	71	70	58	79	68
	3306	95	82	0.288	82	87	80	76	75	72	70	59	80	69
	3671	16	0	0.277	80	88	80	77	76	74	70	59	82	70
38°	1748	283	279	0.337	80	90	81	76	74	72	73	64	81	70
	2246	262	256	0.351	82	90	80	75	73	71	71	61	81	69
	2744	242	233	0.365	84	90	79	74	73	70	70	59	80	68
	3242	176	164	0.361	82	87	79	75	74	71	69	58	80	68
	3989	19	0	0.340	80	87	80	78	76	74	70	59	82	70
40°	2061	304	299	0.382	80	89	83	79	76	73	76	68	83	72
	3097	254	243	0.411	85	93	79	75	73	70	69	57	81	69
	3563	180	165	0.413	81	88	78	76	74	71	68	57	80	68
	3940	100	81	0.398	81	87	79	78	75	72	69	58	81	69
	4306	22	0	0.402	80	87	80	79	76	73	70	58	82	70

Performance certified is for installation type B - free inlet, ducted outlet. Performance ratings do not include the effects of appurtenances(accessories). Values shown are for inlet Lwi and LwiA sound power levels for Installation type B: free inlet, ducted outlet. The sound power level ratings shown are in decibels, referred to as 10⁻¹² Watts, calculated per AMCA International Standard 301. The A-weighted sound ratings shown have been calculated per AMCA International Standard 301. dBA A-weighted sound pressure levels based on 11.5dB sound attenuation per octave band at 1.5m. Note that dBA levels are not licensed by AMCA International.

Model: YFIMF-500D													Motor Frequency:50Hz	
RPM=1450r/min														
叶片角度	风量	全压	静压	轴功率	八段倍频程 (dB)								声功率级	声压级
Deg	m³/h	Pa	Pa	kW	1	2	3	4	5	6	7	8	LwA	dBA
30°	1715	319	316	0.346	81	85	88	82	77	74	67	58	84	73
	2513	272	267	0.363	76	85	85	79	75	74	67	57	82	70
	2891	227	221	0.355	74	84	85	79	75	74	67	57	82	70
	3191	192	184	0.349	74	84	85	79	75	74	67	57	82	70
	3850	12	0	0.288	80	82	87	82	78	76	72	59	85	73
32°	1940	327	324	0.397	79	85	88	81	76	75	69	62	84	72
	2453	299	294	0.406	77	85	87	79	75	74	68	61	83	71
	2966	264	257	0.411	76	85	86	79	75	74	68	60	82	71
	3479	207	197	0.402	74	84	86	79	75	74	68	60	82	71
	4249	15	0	0.337	79	84	87	82	78	76	72	59	85	73
34°	2166	336	332	0.449	78	84	88	79	76	76	70	67	84	72
	2718	306	300	0.457	77	84	87	79	75	75	69	65	83	72
	3270	274	266	0.463	76	84	86	79	75	75	69	64	83	71
	3822	216	204	0.453	75	85	86	79	75	74	68	63	83	71
	4649	17	0	0.386	78	85	88	82	78	76	72	59	85	73
36°	2392	344	339	0.500	77	84	87	78	76	77	71	71	84	72
	3097	308	300	0.509	77	84	87	78	75	76	70	69	83	72
	3803	272	261	0.518	77	84	87	79	75	76	69	67	83	72
	4301	206	192	0.500	75	85	87	79	75	75	68	66	83	71
	5050	20	0	0.435	78	87	88	82	78	76	72	60	85	73
38°	2433	370	365	0.553	79	83	87	79	75	75	70	66	83	71
	3117	345	337	0.574	79	83	86	79	75	75	69	65	83	71
	3801	321	310	0.595	79	83	86	79	75	75	69	64	83	71
	4485	244	228	0.583	78	85	86	79	75	75	68	63	83	71
	5511	24	0	0.510	79	88	88	81	78	76	72	61	85	73
40°	2473	395	390	0.606	82	83	86	80	74	74	68	61	82	71
	3330	375	366	0.644	81	83	86	80	74	74	68	60	82	71
	4143	356	342	0.681	81	83	85	80	75	74	68	60	82	71
	4996	237	217	0.656	81	86	85	80	76	75	68	60	83	71
	5974	28	0	0.585	81	89	87	81	79	77	71	63	85	73

Performance certified is for installation type B - free inlet, ducted outlet. Performance ratings do not include the effects of appurtenances(accessories). Values shown are for inlet Lwi and LwiA sound power levels for Installation type B: free inlet, ducted outlet. The sound power level ratings shown are in decibels, referred to as 10⁻¹² Watts, calculated per AMCA International Standard 301. The A-weighted sound ratings shown have been calculated per AMCA International Standard 301. dBA A-weighted sound pressure levels based on 11.5dB sound attenuation per octave band at 1.5m. Note that dBA levels are not licensed by AMCA International.

Model: YFIMF-560D													Motor Frequency:50Hz	
RPM=960r/min														
叶片角度	风量	全压	静压	轴功率	八段倍频程 (dB)								声功率级	声压级
Deg	m³/h	Pa	Pa	kW	1	2	3	4	5	6	7	8	LwA	dBA
30°	1595	175	174	0.177	75	79	82	76	71	68	61	52	78	67
	2337	150	147	0.186	70	79	79	73	69	68	61	51	76	65
	2689	125	121	0.182	69	79	79	73	69	68	61	51	76	65
	2968	105	101	0.179	68	78	79	73	69	68	61	51	76	65
	3581	6	0	0.147	74	76	81	76	72	70	67	53	79	67
32°	1805	180	178	0.203	74	79	82	75	71	69	63	57	78	66
	2282	164	161	0.208	72	79	81	74	70	69	63	56	77	66
	2760	145	141	0.210	70	79	80	73	69	68	62	55	76	65
	3237	114	108	0.206	68	79	80	73	69	68	62	54	76	65
	3953	8	0	0.172	73	78	82	76	72	70	67	53	79	67
34°	2015	184	182	0.230	72	79	82	73	70	70	64	61	78	66
	2528	168	165	0.234	71	79	81	73	69	70	64	60	77	66
	3042	151	146	0.237	70	78	81	73	69	69	63	58	77	65
	3555	119	112	0.232	69	79	81	73	69	69	62	57	77	65
	4325	9	0	0.197	73	80	82	76	72	70	67	54	79	67
36°	2225	189	187	0.256	71	78	81	72	70	71	66	66	78	66
	2881	169	165	0.260	71	78	81	72	69	70	65	64	78	66
	3538	150	144	0.265	71	78	81	73	69	70	64	61	77	66
	4001	113	105	0.256	69	79	81	73	69	69	62	60	77	66
	4697	11	0	0.222	72	81	82	76	72	70	67	54	79	68
38°	2263	203	201	0.283	73	78	81	73	69	69	64	60	77	66
	2899	190	186	0.294	73	78	81	73	69	69	64	59	77	65
	3536	177	170	0.304	73	78	80	73	69	69	63	58	77	65
	4172	134	125	0.298	72	79	80	73	69	69	63	57	77	65
	5127	13	0	0.261	73	82	82	76	72	70	66	56	79	68
40°	2300	217	215	0.310	76	77	80	74	68	68	62	55	77	65
	3098	206	201	0.330	76	77	80	74	68	68	62	55	76	65
	3853	196	188	0.348	75	77	79	74	69	68	62	54	76	65
	4647	130	120	0.336	75	80	79	74	70	69	62	54	77	65
	5557	15	0	0.299	75	83	81	75	73	71	66	57	79	68

Performance certified is for installation type B - free inlet, ducted outlet. Performance ratings do not include the effects of appurtenances(accessories). Values shown are for inlet Lwi and LwiA sound power levels for Installation type B: free inlet, ducted outlet. The sound power level ratings shown are in decibels, referred to as 10⁻¹² Watts, calculated per AMCA International Standard 301. The A-weighted sound ratings shown have been calculated per AMCA International Standard 301. dBA A-weighted sound pressure levels based on 11.5dB sound attenuation per octave band at 1.5m. Note that dBA levels are not licensed by AMCA International.

Model: YFIMF-560D													Motor Frequency:50Hz	
RPM=1450r/min														
叶片角度	风量	全压	静压	轴功率	八段倍频程 (dB)								声功率级	声压级
Deg	m³/h	Pa	Pa	kW	1	2	3	4	5	6	7	8	LwA	dBA
30°	2409	400	397	0.609	84	89	92	86	80	77	71	61	88	76
	3530	341	335	0.639	79	89	89	82	78	77	71	60	86	74
	4062	285	277	0.626	78	88	89	82	78	77	71	60	85	74
	4483	241	231	0.615	77	88	89	82	78	77	71	60	85	74
	5408	15	0	0.507	83	86	91	86	81	79	76	62	88	77
32°	2726	410	407	0.700	83	88	91	84	80	78	72	66	87	76
	3447	375	368	0.716	81	88	90	83	79	78	72	65	87	75
	4168	331	323	0.725	79	88	89	82	78	78	72	64	86	74
	4889	259	247	0.708	78	88	89	82	78	78	71	64	86	74
	5970	18	0	0.593	83	87	91	86	81	79	76	63	88	77
34°	3044	421	416	0.791	82	88	91	83	80	79	74	70	87	76
	3819	384	377	0.805	81	88	90	82	79	79	73	69	87	75
	4594	344	333	0.816	80	88	90	82	78	79	72	68	86	75
	5370	270	256	0.799	78	88	90	82	78	78	72	67	86	75
	6533	22	0	0.680	82	89	91	86	81	79	76	63	88	77
36°	3361	431	426	0.882	80	88	91	81	79	80	75	75	87	76
	4352	387	377	0.897	80	88	91	82	79	80	74	73	87	76
	5343	342	328	0.912	80	88	91	82	78	79	73	71	87	75
	6043	258	240	0.881	78	89	91	82	78	78	72	70	87	75
	7095	25	0	0.766	81	91	92	86	81	79	76	63	89	77
38°	3418	464	458	0.975	83	87	90	82	78	79	73	70	86	75
	4379	433	423	1.012	83	87	90	83	78	78	73	69	86	75
	5340	403	389	1.049	82	87	90	83	78	78	73	68	86	75
	6302	306	286	1.028	82	89	90	83	79	78	72	67	86	75
	7744	30	0	0.898	83	92	91	85	82	80	76	65	88	77
40°	3475	496	490	1.068	86	87	90	83	77	77	72	65	86	74
	4679	470	459	1.136	85	87	89	83	78	77	72	64	86	74
	5820	446	430	1.200	84	87	89	83	78	77	72	63	86	74
	7020	297	273	1.156	84	90	89	83	79	78	72	63	86	75
	8393	35	0	1.031	84	93	91	84	82	80	75	67	89	77

Performance certified is for installation type B - free inlet, ducted outlet. Performance ratings do not include the effects of appurtenances(accessories). Values shown are for inlet Lwi and LwiA sound power levels for Installation type B: free inlet, ducted outlet. The sound power level ratings shown are in decibels, referred to as 10⁻¹² Watts, calculated per AMCA International Standard 301. The A-weighted sound ratings shown have been calculated per AMCA International Standard 301. dBA A-weighted sound pressure levels based on 11.5dB sound attenuation per octave band at 1.5m. Note that dBA levels are not licensed by AMCA International.

Model: YFIMF-630D													Motor Frequency:50Hz	
RPM=960r/min														
叶片角度	风量	全压	静压	轴功率	八段倍频程 (dB)								声功率级	声压级
Deg	m³/h	Pa	Pa	kW	1	2	3	4	5	6	7	8	LwA	dBA
30°	2093	197	195	0.290	82	82	82	80	75	72	65	53	81	70
	3000	180	178	0.309	81	80	78	75	72	71	64	51	78	67
	3335	158	154	0.304	81	80	77	74	72	72	64	52	78	67
	4243	97	91	0.288	80	80	74	74	72	72	65	55	78	66
	4993	7	0	0.250	81	79	76	77	75	74	74	59	81	69
32°	2368	212	211	0.333	81	82	81	78	74	72	65	54	80	69
	3075	198	195	0.347	80	81	78	75	73	72	64	53	79	67
	3781	172	167	0.352	79	81	77	74	72	72	64	53	78	67
	4488	126	120	0.338	79	81	75	74	73	72	65	55	78	67
	5548	9	0	0.288	80	81	76	77	75	74	72	59	81	69
34°	2644	228	226	0.377	79	83	79	76	73	72	65	55	79	68
	3412	212	208	0.391	78	82	78	74	73	72	65	54	78	67
	4181	189	184	0.400	77	81	77	73	72	72	64	54	78	67
	4949	141	133	0.385	78	81	75	74	73	72	65	55	78	67
	6102	11	0	0.325	79	82	77	77	76	74	71	60	81	70
36°	2919	243	241	0.420	78	83	78	74	72	72	65	57	78	67
	4216	215	209	0.443	75	82	77	73	72	72	64	55	78	67
	4644	205	199	0.450	75	82	77	72	72	72	64	55	78	67
	5463	152	143	0.431	78	82	76	75	74	72	65	56	79	67
	6657	13	0	0.362	78	84	78	78	77	75	69	60	81	70
38°	2989	252	249	0.466	79	82	76	73	72	71	65	56	78	66
	3943	241	236	0.506	77	82	76	74	73	72	65	56	78	67
	4897	218	211	0.524	78	81	76	75	74	72	65	56	79	67
	5852	168	157	0.506	79	84	78	78	77	75	69	61	82	70
	7283	16	0	0.432	79	84	78	78	77	75	69	61	82	70
40°	3831	257	252	0.556	80	81	75	72	72	70	64	56	77	66
	4830	232	225	0.575	79	80	75	73	72	70	64	56	77	66
	5813	209	198	0.594	79	80	75	74	72	70	64	56	77	66
	6472	169	156	0.574	79	80	76	75	74	71	65	57	78	67
	7910	19	0	0.503	81	84	79	78	77	75	69	62	82	70

Performance certified is for installation type B - free inlet, ducted outlet. Performance ratings do not include the effects of appurtenances(accessories). Values shown are for inlet Lwi and LwiA sound power levels for Installation type B: free inlet, ducted outlet. The sound power level ratings shown are in decibels, referred to as 10⁻¹² Watts, calculated per AMCA International Standard 301. The A-weighted sound ratings shown have been calculated per AMCA International Standard 301. dBA A-weighted sound pressure levels based on 11.5dB sound attenuation per octave band at 1.5m. Note that dBA levels are not licensed by AMCA International.

Model: YFIMF-630D													Motor Frequency:50Hz	
RPM=1450r/min														
叶片角度	风量	全压	静压	轴功率	八段倍频程 (dB)								声功率级	声压级
Deg	m³/h	Pa	Pa	kW	1	2	3	4	5	6	7	8	LwA	dBA
30°	3161	449	446	1.000	91	91	91	89	84	82	75	62	91	79
	4532	411	405	1.066	90	89	87	84	82	81	74	61	88	76
	5038	360	352	1.046	90	89	86	84	82	81	74	62	87	76
	6409	221	209	0.992	89	89	83	83	82	82	75	64	87	76
	7541	17	0	0.863	90	88	85	86	84	83	83	68	90	79
32°	3577	484	480	1.149	90	92	90	87	83	82	75	63	89	78
	4644	452	446	1.197	89	91	88	84	82	81	74	63	88	77
	5711	392	382	1.212	88	90	86	83	82	81	74	63	87	76
	6778	287	273	1.166	89	90	84	83	82	82	74	64	88	76
	8379	21	0	0.991	89	90	86	86	85	83	82	69	90	79
34°	3993	520	515	1.299	89	92	89	85	83	82	75	65	89	77
	5154	483	474	1.348	87	91	87	83	82	82	74	64	88	76
	6315	432	419	1.380	86	91	86	83	82	82	74	63	87	76
	7476	321	304	1.327	88	91	85	84	83	82	74	65	88	76
	9217	26	0	1.120	88	92	86	87	85	84	80	69	91	79
36°	4409	555	550	1.448	87	92	87	83	82	82	75	66	88	76
	6368	489	477	1.526	85	92	86	82	82	82	74	65	88	76
	7014	468	453	1.552	84	91	86	82	82	82	74	64	87	76
	8251	346	326	1.484	87	91	85	84	83	82	75	65	88	77
	10055	30	0	1.248	87	93	87	87	86	84	79	69	91	79
38°	4514	574	568	1.605	88	91	86	82	82	81	74	66	87	76
	5956	549	539	1.745	87	91	86	83	83	82	74	66	88	76
	7397	498	481	1.806	88	90	85	84	83	82	75	66	88	76
	8839	382	359	1.744	89	93	88	87	86	84	79	70	91	79
	11001	36	0	1.490	89	93	88	87	86	84	79	70	91	79
40°	5787	586	576	1.914	89	90	84	82	82	80	74	65	87	75
	7295	530	514	1.982	89	90	84	82	82	80	74	65	87	75
	8780	476	453	2.048	88	89	84	83	82	80	74	65	87	75
	9775	385	356	1.979	88	89	85	84	83	81	75	66	88	76
	11947	43	0	1.732	90	93	88	87	86	84	79	71	91	79

Performance certified is for installation type B - free inlet, ducted outlet. Performance ratings do not include the effects of appurtenances(accessories). Values shown are for inlet Lwi and LwiA sound power levels for Installation type B: free inlet, ducted outlet. The sound power level ratings shown are in decibels, referred to as 10⁻¹² Watts, calculated per AMCA International Standard 301. The A-weighted sound ratings shown have been calculated per AMCA International Standard 301. dBA A-weighted sound pressure levels based on 11.5dB sound attenuation per octave band at 1.5m. Note that dBA levels are not licensed by AMCA International.

Model: YFIMF-710D													Motor Frequency:50Hz	
RPM=960r/min														
叶片角度	风量	全压	静压	轴功率	八段倍频程 (dB)								声功率级	声压级
Deg	m³/h	Pa	Pa	kW	1	2	3	4	5	6	7	8	LwA	dBA
30°	2995	250	248	0.527	86	86	86	84	78	76	69	56	85	73
	4294	229	226	0.563	85	84	82	78	76	75	68	55	82	70
	4774	200	196	0.552	84	84	80	78	76	76	68	56	82	70
	6073	123	116	0.523	84	84	77	77	76	76	69	58	82	70
	7146	9	0	0.455	85	83	79	81	78	77	77	63	85	73
32°	3390	270	267	0.606	84	86	84	82	78	76	69	58	84	72
	4401	252	248	0.632	83	85	82	79	77	76	68	57	82	71
	5412	218	213	0.639	82	84	80	78	76	76	68	57	82	70
	6424	160	152	0.615	83	84	79	78	77	76	69	58	82	71
	7940	12	0	0.523	81	82	78	78	77	75	73	60	82	71
34°	3784	289	287	0.685	83	86	83	79	77	76	69	59	83	72
	4884	269	264	0.711	82	86	82	78	77	76	68	58	82	71
	5984	240	233	0.728	80	85	80	77	76	76	68	58	82	70
	7084	179	169	0.700	82	85	79	78	77	76	69	59	82	71
	8734	14	0	0.591	81	85	80	80	79	77	73	62	84	72
36°	4178	309	306	0.764	82	87	82	77	76	76	69	61	82	71
	6035	272	265	0.805	79	86	81	77	76	76	68	59	82	70
	6647	260	252	0.819	78	86	81	76	76	76	68	58	82	70
	7819	193	181	0.783	82	86	79	78	77	76	69	60	83	71
	9529	17	0	0.658	82	88	82	82	81	78	73	64	85	74
38°	4831	318	313	0.887	81	84	78	75	74	73	67	58	80	68
	6074	296	288	0.930	80	84	79	76	76	74	68	59	81	69
	7317	267	257	0.948	79	83	78	75	75	74	66	57	80	68
	8560	200	187	0.910	80	83	78	77	76	74	67	58	80	69
	10425	20	0	0.786	81	86	80	80	79	77	71	63	83	72
40°	5484	326	320	1.010	84	85	78	76	76	74	68	60	81	69
	6794	298	289	1.042	83	84	78	77	76	74	68	60	81	70
	8320	265	252	1.080	83	84	78	77	76	74	68	60	81	70
	9264	214	198	1.044	83	84	79	78	77	75	69	61	82	71
	11321	24	0	0.914	85	88	83	82	81	78	73	66	85	74

Performance certified is for installation type B - free inlet, ducted outlet. Performance ratings do not include the effects of appurtenances(accessories). Values shown are for inlet Lwi and LwiA sound power levels for Installation type B: free inlet, ducted outlet. The sound power level ratings shown are in decibels, referred to as 10⁻¹² Watts, calculated per AMCA International Standard 301. The A-weighted sound ratings shown have been calculated per AMCA International Standard 301. dBA A-weighted sound pressure levels based on 11.5dB sound attenuation per octave band at 1.5m. Note that dBA levels are not licensed by AMCA International.

Model: YFIMF-710D													Motor Frequency:50Hz	
RPM=1450r/min														
叶片角度	风量	全压	静压	轴功率	八段倍频程 (dB)								声功率级	声压级
Deg	m³/h	Pa	Pa	kW	1	2	3	4	5	6	7	8	LwA	dBA
30°	4524	570	566	1.817	95	95	95	93	88	86	78	66	94	83
	6486	522	514	1.939	94	93	91	88	86	85	77	65	91	80
	7211	457	447	1.902	94	93	90	88	86	85	78	66	91	80
	9173	281	265	1.803	93	93	87	87	86	86	78	68	91	80
	10794	22	0	1.569	94	92	89	90	88	87	87	72	94	82
32°	5120	615	610	2.089	94	96	94	91	87	86	78	67	93	82
	6647	575	566	2.177	93	94	92	88	86	85	78	66	92	80
	8175	498	485	2.203	92	94	90	87	86	85	78	66	91	80
	9702	365	347	2.120	92	94	88	87	86	86	78	68	91	80
	11993	27	0	1.802	91	91	87	88	86	85	83	70	92	80
34°	5715	660	654	2.361	92	96	92	89	86	86	78	69	92	81
	7377	613	602	2.450	91	95	91	87	86	85	78	68	92	80
	9039	548	532	2.508	90	94	90	86	86	85	77	67	91	80
	10700	407	386	2.413	92	94	88	87	86	86	78	68	92	80
	13193	33	0	2.036	91	94	89	89	88	86	83	71	93	82
36°	6311	705	698	2.633	91	96	91	87	86	86	78	70	92	80
	9115	622	606	2.774	89	95	90	86	86	86	78	68	91	80
	10039	594	575	2.821	88	95	90	86	86	86	77	68	91	80
	11811	440	414	2.698	91	95	89	88	87	86	78	69	92	80
	14393	38	0	2.269	91	97	91	91	90	88	83	73	95	83
38°	7297	725	715	3.056	90	93	87	84	84	83	76	68	89	78
	9175	674	658	3.204	89	93	88	86	85	84	77	69	90	79
	11052	609	586	3.267	88	92	87	85	84	83	76	67	89	78
	12930	457	426	3.136	90	92	87	86	85	83	77	68	90	78
	15746	46	0	2.709	91	95	90	89	88	86	81	72	93	81
40°	8283	744	731	3.480	93	94	88	86	86	84	77	69	90	79
	10262	679	659	3.592	93	94	88	86	86	84	77	69	90	79
	12567	604	575	3.723	92	93	88	87	86	84	77	69	91	79
	13992	489	452	3.598	92	93	89	88	87	85	78	70	92	80
	17100	54	0	3.149	94	97	92	91	90	88	83	75	95	83

Performance certified is for installation type B - free inlet, ducted outlet. Performance ratings do not include the effects of appurtenances(accessories). Values shown are for inlet Lwi and LwA sound power levels for Installation type B: free inlet, ducted outlet. The sound power level ratings shown are in decibels, referred to as 10⁻¹² Watts, calculated per AMCA International Standard 301. The A-weighted sound ratings shown have been calculated per AMCA International Standard 301. dBA A-weighted sound pressure levels based on 11.5dB sound attenuation per octave band at 1.5m. Note that dBA levels are not licensed by AMCA International.

Model: YFIMF-800D													Motor Frequency:50Hz	
RPM=960r/min														
叶片角度	风量	全压	静压	轴功率	八段倍频程 (dB)								声功率级	声压级
Deg	m³/h	Pa	Pa	kW	1	2	3	4	5	6	7	8	LwA	dBA
30°	4783	335	332	0.978	84	89	89	88	82	80	71	62	89	77
	6208	303	298	0.991	82	88	88	88	81	79	71	61	88	77
	8065	262	255	1.007	79	86	86	87	80	78	70	60	87	76
	8927	208	199	0.955	79	87	86	86	80	78	71	64	87	75
	11131	14	0	0.742	81	87	89	87	82	79	79	67	89	77
32°	5851	352	348	1.167	83	89	88	87	81	78	71	62	88	76
	7264	320	314	1.181	81	87	87	87	80	78	70	61	87	76
	8678	283	274	1.185	80	87	86	86	80	77	70	61	87	75
	10091	205	193	1.121	80	88	87	86	80	78	72	64	87	75
	12211	17	0	0.924	82	88	89	87	83	79	78	68	89	77
34°	6919	369	364	1.355	83	88	86	85	80	77	70	61	86	75
	8335	337	328	1.371	81	87	86	85	80	77	70	61	86	75
	9751	293	282	1.368	80	87	86	85	80	77	70	61	86	75
	11167	210	196	1.296	80	88	87	86	81	78	72	64	87	76
	13291	20	0	1.106	83	89	89	87	83	79	77	68	89	78
36°	7987	386	379	1.544	82	87	85	84	79	76	69	61	85	74
	9160	359	350	1.558	81	87	85	84	79	76	69	61	85	74
	10381	331	319	1.573	80	86	85	84	79	76	69	61	85	73
	12169	222	205	1.481	81	88	87	86	81	78	71	64	87	76
	14371	23	0	1.287	84	89	89	87	84	80	77	68	89	78
38°	7227	406	400	1.588	86	89	87	85	80	76	70	63	86	75
	9062	374	364	1.648	84	88	87	85	80	78	70	62	86	75
	10897	334	320	1.695	82	89	87	85	80	80	70	62	87	75
	12732	254	235	1.665	82	89	88	86	81	79	71	63	87	76
	15485	27	0	1.429	86	91	90	87	84	80	76	68	89	78
40°	6466	425	420	1.631	89	90	89	85	81	77	70	65	87	76
	9775	380	369	1.785	86	90	88	86	80	82	70	63	88	77
	11976	351	334	1.887	83	90	87	86	80	76	69	62	87	75
	13785	266	245	1.844	84	90	88	86	81	77	70	63	87	76
	16598	31	0	1.571	87	92	90	87	84	80	76	68	89	78

Performance certified is for installation type B - free inlet, ducted outlet. Performance ratings do not include the effects of appurtenances(accessories). Values shown are for inlet Lwi and LwA sound power levels for Installation type B: free inlet, ducted outlet. The sound power level ratings shown are in decibels, referred to as 10⁻¹² Watts, calculated per AMCA International Standard 301. The A-weighted sound ratings shown have been calculated per AMCA International Standard 301. dBA A-weighted sound pressure levels based on 11.5dB sound attenuation per octave band at 1.5m. Note that dBA levels are not licensed by AMCA International.

Model: YFIMF-800D													Motor Frequency:50Hz	
RPM=1450r/min														
叶片角度	风量	全压	静压	轴功率	八段倍频程 (dB)								声功率级	声压级
Deg	m³/h	Pa	Pa	kW	1	2	3	4	5	6	7	8	LwA	dBA
30°	7224	763	757	3.371	93	99	99	98	91	89	81	71	98	87
	9377	691	681	3.413	91	97	97	97	90	88	80	70	97	86
	12182	598	581	3.469	88	96	96	97	89	87	80	69	97	85
	13483	474	454	3.291	88	97	96	96	89	87	81	74	96	85
	16812	32	0	2.558	90	97	99	97	91	88	88	77	98	87
32°	8837	803	793	4.021	93	98	97	96	90	88	80	71	97	85
	10972	730	715	4.068	91	97	96	96	90	87	80	70	96	85
	13107	645	625	4.084	89	96	96	96	89	87	80	70	96	85
	15241	468	441	3.862	89	97	96	96	90	87	81	74	96	85
	18443	39	0	3.184	91	97	99	97	92	89	88	77	98	87
34°	10451	842	829	4.671	92	97	96	95	89	86	79	71	96	84
	12589	768	749	4.724	90	96	95	95	89	86	79	70	95	84
	14728	669	644	4.712	89	96	95	95	89	86	79	71	96	84
	16867	479	447	4.467	90	97	96	96	90	87	81	74	96	85
	20075	46	0	3.810	92	98	99	97	93	89	87	77	98	87
36°	12064	882	865	5.320	91	97	95	93	88	85	79	70	94	83
	13835	819	798	5.369	90	96	95	93	88	85	79	70	94	83
	15679	755	727	5.420	89	96	95	93	88	85	79	70	94	83
	18380	506	468	5.103	90	98	97	96	90	87	81	74	97	85
	21706	53	0	4.435	93	99	99	97	93	89	86	78	99	87
38°	10915	925	912	5.471	95	98	97	94	89	86	79	72	95	84
	13687	853	831	5.680	93	98	96	94	89	88	79	72	96	84
	16459	762	731	5.841	92	98	96	95	89	90	79	72	96	85
	19231	579	537	5.736	92	99	97	96	90	88	80	73	97	85
	23388	62	0	4.924	95	100	99	97	93	89	86	78	99	87
40°	9767	969	958	5.621	99	100	99	95	90	86	80	75	96	85
	14764	867	841	6.149	95	100	97	95	90	92	79	73	98	86
	18089	800	763	6.501	92	100	97	96	89	85	79	71	96	85
	20821	607	558	6.354	93	100	98	96	90	86	80	72	97	85
	25070	71	0	5.413	97	102	100	97	93	89	85	78	99	87

Performance certified is for installation type B - free inlet, ducted outlet. Performance ratings do not include the effects of appurtenances(accessories). Values shown are for inlet Lwi and LwiA sound power levels for Installation type B: free inlet, ducted outlet. The sound power level ratings shown are in decibels, referred to as 10⁻¹² Watts, calculated per AMCA International Standard 301. The A-weighted sound ratings shown have been calculated per AMCA International Standard 301. dBA A-weighted sound pressure levels based on 11.5dB sound attenuation per octave band at 1.5m. Note that dBA levels are not licensed by AMCA International.

Model: YFIMF-900D													Motor Frequency:50Hz	
RPM=960r/min														
叶片角度	风量	全压	静压	轴功率	八段倍频程 (dB)								声功率级	声压级
Deg	m³/h	Pa	Pa	kW	1	2	3	4	5	6	7	8	LwA	dBA
30°	6810	423	420	1.763	88	93	93	92	86	84	75	66	93	81
	8839	384	378	1.785	86	92	92	92	85	83	75	65	92	80
	11483	332	322	1.814	83	90	90	91	84	82	74	64	91	79
	12710	263	252	1.721	83	91	90	90	84	82	75	68	90	79
	15848	18	0	1.338	85	91	93	91	86	83	83	71	92	81
32°	8331	445	440	2.103	87	92	92	91	85	82	75	65	91	80
	10343	405	397	2.128	85	91	91	90	84	82	74	65	91	79
	12355	358	347	2.136	83	90	90	90	84	81	74	64	90	79
	14368	260	245	2.020	83	91	90	90	84	82	75	68	91	79
	17386	22	0	1.665	86	92	93	91	86	83	82	71	93	81
34°	9851	467	460	2.443	86	92	90	89	84	81	74	65	90	79
	11868	426	416	2.470	85	91	90	89	83	81	74	65	90	78
	13884	371	357	2.464	84	90	90	89	83	81	74	65	90	78
	15900	266	248	2.336	84	92	91	90	84	82	75	68	91	79
	18924	25	0	1.992	87	92	93	91	87	83	81	72	93	81
36°	11372	489	480	2.782	86	91	89	88	83	79	73	65	89	77
	13042	455	442	2.808	85	90	89	88	83	79	73	65	89	77
	14780	419	403	2.834	84	90	89	88	83	79	73	65	89	77
	17326	281	260	2.669	85	92	91	90	85	82	75	68	91	79
	20462	29	0	2.320	88	93	93	91	88	84	80	72	93	82
38°	10289	513	506	2.861	89	93	91	88	84	80	74	67	90	78
	12902	473	461	2.970	87	92	91	89	83	82	73	66	90	79
	15515	423	405	3.054	86	92	90	89	83	84	73	66	91	79
	18128	321	298	3.000	86	93	91	90	85	82	75	67	91	80
	22048	34	0	2.575	89	95	94	91	88	84	80	72	93	82
40°	9207	537	531	2.940	93	94	93	89	85	80	74	69	91	79
	13917	481	467	3.216	89	94	92	89	84	86	74	67	92	80
	17052	444	423	3.400	87	94	91	90	84	79	73	66	90	79
	19628	337	310	3.323	88	94	92	90	85	80	74	67	91	79
	23633	39	0	2.831	91	96	94	91	88	84	79	72	93	82

Performance certified is for installation type B - free inlet, ducted outlet. Performance ratings do not include the effects of appurtenances(accessories). Values shown are for inlet Lwi and LwiA sound power levels for Installation type B: free inlet, ducted outlet. The sound power level ratings shown are in decibels, referred to as 10⁻¹² Watts, calculated per AMCA International Standard 301. The A-weighted sound ratings shown have been calculated per AMCA International Standard 301. dBA A-weighted sound pressure levels based on 11.5dB sound attenuation per octave band at 1.5m. Note that dBA levels are not licensed by AMCA International.

Model: YFIMF-900D													Motor Frequency:50Hz	
RPM=1450r/min														
叶片角度	风量	全压	静压	轴功率	八段倍频程 (dB)								声功率级	声压级
Deg	m³/h	Pa	Pa	kW	1	2	3	4	5	6	7	8	LwA	dBA
30°	10286	966	958	6.074	97	102	102	101	95	93	85	75	102	91
	13351	875	862	6.151	95	101	101	101	94	92	84	74	101	90
	17345	756	735	6.251	92	99	99	100	93	91	84	73	100	89
	19198	600	574	5.930	92	100	99	99	93	91	85	77	100	88
	23937	40	0	4.610	94	100	102	100	95	92	92	80	102	90
32°	12583	1016	1004	7.245	97	102	101	100	94	92	84	75	101	89
	15622	924	906	7.331	95	101	100	100	93	91	84	74	100	89
	18662	816	791	7.359	93	100	99	100	93	91	83	74	100	88
	21701	592	558	6.959	93	101	100	99	93	91	85	77	100	89
	26260	49	0	5.737	95	101	102	100	96	92	91	81	102	91
34°	14880	1066	1050	8.416	96	101	100	99	93	90	83	74	99	88
	17925	972	948	8.512	94	100	99	98	93	90	83	74	99	88
	20970	847	815	8.492	93	100	99	99	93	90	83	74	99	88
	24015	607	565	8.050	93	101	100	99	94	91	85	77	100	89
	28583	58	0	6.865	96	102	102	100	97	93	91	81	102	91
36°	17177	1116	1095	9.588	95	100	98	97	92	89	83	74	98	87
	19698	1037	1009	9.675	94	100	98	97	92	89	83	74	98	87
	22324	955	920	9.766	93	99	98	97	92	89	83	74	98	87
	26170	641	593	9.196	94	101	100	99	94	91	85	77	100	89
	30906	67	0	7.993	97	102	102	100	97	93	90	81	102	91
38°	15541	1171	1154	9.858	99	102	100	98	93	89	83	76	99	88
	19488	1080	1052	10.235	97	102	100	98	93	91	83	76	99	88
	23434	964	925	10.525	95	102	100	98	93	93	83	75	100	89
	27381	733	680	10.337	96	102	101	99	94	92	84	77	100	89
	33301	78	0	8.874	99	104	103	100	97	93	89	81	103	91
40°	13906	1226	1212	10.129	102	104	102	98	94	90	84	78	100	89
	21021	1098	1064	11.081	99	104	101	99	93	96	83	76	101	90
	25756	1012	966	11.715	96	104	100	99	93	89	83	75	100	88
	29646	768	707	11.450	97	104	101	99	94	90	84	76	100	89
	35696	89	0	9.754	100	106	104	100	97	93	89	81	103	91

Performance certified is for installation type B - free inlet, ducted outlet. Performance ratings do not include the effects of appurtenances(accessories). Values shown are for inlet Lwi and LwiA sound power levels for Installation type B: free inlet, ducted outlet. The sound power level ratings shown are in decibels, referred to as 10⁻¹² Watts, calculated per AMCA International Standard 301. The A-weighted sound ratings shown have been calculated per AMCA International Standard 301. dBA A-weighted sound pressure levels based on 11.5dB sound attenuation per octave band at 1.5m. Note that dBA levels are not licensed by AMCA International.

Model: YFIMF-1000D													Motor Frequency:50Hz	
RPM=960r/min														
叶片角度	风量	全压	静压	轴功率	八段倍频程 (dB)								声功率级	声压级
Deg	m³/h	Pa	Pa	kW	1	2	3	4	5	6	7	8	LwA	dBA
30°	9342	523	519	2.985	91	96	96	95	89	87	79	69	96	84
	12125	473	466	3.023	89	95	95	95	88	86	78	68	95	84
	15752	409	398	3.072	86	93	93	94	87	85	78	67	94	83
	17435	325	311	2.914	86	94	93	93	87	85	79	71	94	82
	21740	22	0	2.265	88	94	96	94	89	86	86	74	96	84
32°	11428	550	543	3.561	90	96	95	94	88	86	78	69	95	83
	14188	500	490	3.603	89	95	94	94	87	85	78	68	94	83
	16948	442	428	3.617	87	94	93	94	87	85	77	68	94	82
	19709	320	302	3.420	87	95	94	93	87	85	79	71	94	83
	23849	27	0	2.820	89	95	96	94	90	86	85	75	96	84
34°	13514	577	568	4.136	90	95	94	93	87	84	77	68	93	82
	16279	526	513	4.184	88	94	93	92	87	84	77	68	93	82
	19045	458	441	4.174	87	94	93	93	87	84	77	68	93	82
	21811	328	306	3.956	87	95	94	93	88	85	79	71	94	83
	25959	31	0	3.374	90	96	96	94	90	87	85	75	96	85
36°	15600	604	593	4.712	89	94	92	91	86	83	76	68	92	81
	17890	561	546	4.755	88	94	92	91	86	83	76	68	92	81
	20275	517	498	4.800	87	93	92	91	86	83	76	68	92	81
	23767	347	321	4.519	88	95	94	93	88	85	79	71	94	83
	28069	36	0	3.928	91	96	96	94	91	87	84	75	96	85
38°	14114	634	624	4.845	93	96	94	92	87	83	77	70	93	82
	17699	584	569	5.030	91	96	94	92	87	85	77	70	93	82
	21283	522	500	5.173	89	96	94	92	87	87	77	69	94	83
	24867	396	368	5.080	89	96	95	93	88	86	78	71	94	83
	30243	42	0	4.361	93	98	97	94	91	87	83	75	96	85
40°	12629	663	656	4.978	96	97	96	92	88	84	78	72	94	83
	19091	594	576	5.446	93	97	95	93	87	89	77	70	95	84
	23391	548	523	5.757	90	97	94	93	87	83	76	69	94	82
	26924	416	382	5.627	91	97	95	93	88	84	78	70	94	83
	32418	48	0	4.794	94	100	97	94	91	87	83	75	97	85

Performance certified is for installation type B - free inlet, ducted outlet. Performance ratings do not include the effects of appurtenances(accessories). Values shown are for inlet Lwi and LwiA sound power levels for Installation type B: free inlet, ducted outlet. The sound power level ratings shown are in decibels, referred to as 10⁻¹² Watts, calculated per AMCA International Standard 301. The A-weighted sound ratings shown have been calculated per AMCA International Standard 301. dBA A-weighted sound pressure levels based on 11.5dB sound attenuation per octave band at 1.5m. Note that dBA levels are not licensed by AMCA International.

Model: YFIMF-1000D													Motor Frequency:50Hz	
RPM=1450r/min														
叶片角度	风量	全压	静压	轴功率	八段倍频程 (dB)								声功率级	声压级
Deg	m³/h	Pa	Pa	kW	1	2	3	4	5	6	7	8	LwA	dBA
30°	14110	1192	1183	10.287	101	106	106	105	98	96	88	79	105	94
	18314	1080	1064	10.417	98	104	104	104	98	95	88	78	105	93
	23792	934	908	10.587	95	103	103	104	96	94	87	76	104	92
	26335	741	709	10.043	95	104	103	103	96	94	88	81	103	92
	32836	50	0	7.806	97	104	106	104	98	95	95	84	105	94
32°	17261	1254	1240	12.270	100	105	104	103	97	95	87	78	104	93
	21430	1141	1118	12.416	98	104	104	103	97	94	87	78	104	92
	25599	1008	976	12.463	96	103	103	103	96	94	87	77	103	92
	29768	731	689	11.786	96	104	103	103	97	94	88	81	103	92
	36022	61	0	9.716	98	104	106	104	99	96	95	84	105	94
34°	20411	1316	1296	14.253	99	104	103	102	96	94	87	78	103	91
	24589	1200	1171	14.416	98	104	103	102	96	93	86	78	103	91
	28766	1045	1006	14.381	96	103	102	102	96	93	87	78	103	91
	32943	749	698	13.633	97	104	103	103	97	94	88	81	104	92
	39209	72	0	11.626	100	105	106	104	100	96	94	84	106	94
36°	23562	1378	1352	16.237	98	104	102	101	95	92	86	77	102	90
	27021	1280	1246	16.385	97	103	102	101	95	92	86	77	102	90
	30623	1179	1136	16.540	96	103	102	101	95	92	86	77	102	90
	35898	791	732	15.573	97	105	104	103	97	94	88	81	104	92
	42395	83	0	13.536	101	106	106	104	101	96	93	85	106	94
38°	21319	1446	1425	16.695	102	105	104	101	96	93	86	80	103	91
	26732	1333	1298	17.334	100	105	103	101	96	95	86	79	103	91
	32146	1190	1142	17.824	99	105	103	102	96	97	86	79	103	92
	37560	904	839	17.505	99	106	104	103	97	95	87	80	104	92
	45680	96	0	15.028	102	107	106	104	101	96	93	85	106	94
40°	19075	1514	1497	17.154	106	107	106	102	97	93	87	82	104	92
	28835	1355	1314	18.766	102	107	105	102	97	99	86	80	105	93
	35330	1250	1192	19.839	100	107	104	103	96	92	86	79	103	92
	40666	949	872	19.390	101	107	105	103	97	93	87	80	104	92
	48965	110	0	16.519	104	109	107	104	101	96	92	85	106	95

Performance certified is for installation type B - free inlet, ducted outlet. Performance ratings do not include the effects of appurtenances(accessories). Values shown are for inlet Lwi and LwiA sound power levels for Installation type B: free inlet, ducted outlet. The sound power level ratings shown are in decibels, referred to as 10⁻¹² Watts, calculated per AMCA International Standard 301. The A-weighted sound ratings shown have been calculated per AMCA International Standard 301. dBA A-weighted sound pressure levels based on 11.5dB sound attenuation per octave band at 1.5m. Note that dBA levels are not licensed by AMCA International.

Model: YFIMF-1120D													Motor Frequency:50Hz	
RPM=960r/min														
叶片角度	风量	全压	静压	轴功率	八段倍频程 (dB)								声功率级	声压级
Deg	m³/h	Pa	Pa	kW	1	2	3	4	5	6	7	8	LwA	dBA
30°	13197	649	644	4.699	99	103	102	99	96	90	82	75	101	89
	15821	585	578	4.781	96	101	99	96	94	90	81	73	99	87
	20041	483	471	4.912	92	97	94	92	92	89	80	71	96	84
	25421	183	164	3.975	94	99	97	95	93	88	83	76	97	86
	27486	22	0	3.569	94	100	99	96	93	89	88	78	98	87
32°	15431	693	686	5.688	98	101	100	97	95	90	83	76	100	88
	18739	618	607	5.761	95	99	97	95	93	89	82	74	98	86
	22047	544	529	5.834	93	98	95	92	92	89	81	72	96	85
	25355	399	379	5.452	93	98	96	93	92	88	81	73	96	85
	30317	29	0	4.341	95	101	99	96	93	90	88	78	99	87
34°	17665	738	728	6.678	97	100	98	95	94	89	85	77	98	87
	21106	665	651	6.724	95	99	97	94	93	89	83	75	97	86
	24546	592	574	6.771	93	98	95	92	91	88	81	72	96	84
	27987	464	440	6.459	93	99	96	92	91	88	81	73	96	84
	33148	35	0	5.113	96	102	100	96	93	90	88	79	99	88
36°	19899	782	771	7.667	97	98	96	94	94	88	86	78	97	86
	23509	711	694	7.688	95	98	96	93	92	88	84	75	97	85
	29308	596	570	7.721	93	99	96	92	90	87	80	72	95	84
	32158	450	420	7.166	94	100	97	93	92	87	81	74	96	85
	35981	42	0	5.884	97	103	100	97	94	90	86	79	99	88
38°	23965	763	746	8.698	96	98	95	93	91	87	83	75	96	84
	27402	702	679	8.683	95	99	95	93	91	87	82	74	96	84
	30839	599	570	8.466	95	99	96	93	91	87	81	74	96	84
	34276	466	431	8.071	95	101	97	94	92	88	81	74	97	85
	39431	48	0	6.828	95	103	100	97	94	90	87	79	100	88
40°	28031	744	720	9.729	95	99	95	92	88	85	79	73	94	83
	31947	683	653	9.669	95	99	95	94	89	85	80	73	95	84
	38108	395	352	8.648	98	102	98	96	93	88	82	76	98	86
	39548	292	246	8.272	96	102	98	96	93	89	83	77	98	87
	42882	54	0	7.771	93	103	100	98	95	90	86	80	100	88

Performance certified is for installation type B - free inlet, ducted outlet. Performance ratings do not include the effects of appurtenances(accessories). Values shown are for inlet Lwi and LwiA sound power levels for Installation type B: free inlet, ducted outlet. The sound power level ratings shown are in decibels, referred to as 10⁻¹² Watts, calculated per AMCA International Standard 301. The A-weighted sound ratings shown have been calculated per AMCA International Standard 301. dBA A-weighted sound pressure levels based on 11.5dB sound attenuation per octave band at 1.5m. Note that dBA levels are not licensed by AMCA International.

Model: YFIMF-1120D													Motor Frequency:50Hz	
RPM=1450r/min														
叶片角度	风量	全压	静压	轴功率	八段倍频程 (dB)								声功率级	声压级
Deg	m³/h	Pa	Pa	kW	1	2	3	4	5	6	7	8	LwA	dBA
30°	19933	1480	1469	16.191	108	112	111	108	105	100	91	84	110	99
	23897	1335	1318	16.473	105	110	108	105	104	99	91	83	108	97
	30270	1102	1075	16.926	101	106	103	101	101	99	89	80	105	94
	38396	417	373	13.696	103	108	106	104	102	98	93	85	107	95
	41515	51	0	12.299	103	109	108	105	102	99	98	87	108	96
32°	23307	1582	1565	19.601	108	111	109	107	104	99	93	85	109	97
	28303	1411	1386	19.851	105	109	107	104	103	99	91	83	107	96
	33300	1240	1206	20.102	102	107	104	101	101	98	90	81	105	94
	38297	909	865	18.785	102	108	105	102	101	98	91	82	106	94
	45791	66	0	14.958	104	110	109	105	102	99	98	88	108	97
34°	26681	1683	1662	23.010	107	109	107	105	104	98	94	86	108	96
	31878	1517	1485	23.171	105	108	106	103	102	98	92	84	107	95
	37075	1351	1308	23.331	102	108	105	101	101	98	90	82	105	94
	42272	1058	1004	22.255	102	108	105	102	101	97	90	82	105	94
	50068	81	0	17.618	105	111	109	106	103	100	98	88	109	97
36°	30055	1785	1758	26.420	106	107	105	103	103	98	96	87	107	95
	35508	1622	1583	26.491	105	108	105	102	102	97	93	85	106	94
	44267	1359	1301	26.605	102	108	105	101	100	97	89	81	105	93
	48572	1028	958	24.691	103	109	106	102	101	97	90	83	106	94
	54346	95	0	20.276	106	112	109	106	103	100	96	88	109	97
38°	36197	1741	1701	29.973	105	108	105	102	100	96	92	85	105	94
	41388	1602	1550	29.920	104	108	105	102	100	96	91	83	105	94
	46579	1367	1301	29.173	104	109	105	103	100	96	91	83	105	94
	51770	1063	983	27.813	105	110	106	103	101	97	91	84	106	95
	59557	110	0	23.527	104	112	109	107	104	100	97	89	109	98
40°	42338	1697	1644	33.526	104	108	104	101	98	95	88	82	103	92
	48254	1559	1490	33.317	104	108	104	103	99	95	89	82	104	93
	57558	900	802	29.801	107	111	107	105	102	98	91	85	107	96
	59734	666	560	28.504	106	112	108	106	103	98	93	86	108	96
	64770	124	0	26.778	102	112	109	107	104	100	96	89	109	98

Performance certified is for installation type B - free inlet, ducted outlet. Performance ratings do not include the effects of appurtenances(accessories). Values shown are for inlet Lwi and LwiA sound power levels for Installation type B: free inlet, ducted outlet. The sound power level ratings shown are in decibels, referred to as 10⁻¹² Watts, calculated per AMCA International Standard 301. The A-weighted sound ratings shown have been calculated per AMCA International Standard 301. dBA A-weighted sound pressure levels based on 11.5dB sound attenuation per octave band at 1.5m. Note that dBA levels are not licensed by AMCA International.

Model: YFIMF-1250D													Motor Frequency:50Hz	
RPM=960r/min														
叶片角度	风量	全压	静压	轴功率	八段倍频程 (dB)								声功率级	声压级
Deg	m³/h	Pa	Pa	kW	1	2	3	4	5	6	7	8	LwA	dBA
30°	18346	808	802	8.137	102	107	106	102	99	94	86	78	104	93
	21995	729	719	8.278	100	104	102	100	98	94	85	77	102	91
	27860	602	587	8.506	95	100	97	95	95	93	83	74	99	88
	35340	228	204	6.883	97	102	100	98	96	92	87	79	101	89
	38210	28	0	6.181	97	103	102	99	96	93	92	81	102	90
	21452	864	855	9.850	102	105	103	101	99	93	87	79	103	92
32°	26051	770	756	9.976	99	103	101	98	97	93	86	77	101	90
	30649	677	658	10.102	96	101	98	96	95	92	84	75	100	88
	35248	496	472	9.440	96	102	99	96	95	92	85	76	100	88
	42146	36	0	7.517	98	104	103	100	96	93	92	82	102	91
	24557	919	907	11.564	101	103	101	99	98	93	88	80	102	90
34°	29341	828	811	11.644	99	102	100	97	96	92	86	78	101	89
	34124	738	714	11.725	97	102	99	96	95	92	85	76	99	88
	38908	578	548	11.184	96	102	99	96	95	91	84	76	99	88
	46083	44	0	8.854	99	106	103	100	97	94	92	82	103	91
	27663	975	960	13.277	100	101	99	97	97	92	90	81	101	90
36°	32682	885	864	13.313	99	102	99	96	96	91	87	79	100	89
	40743	742	710	13.370	96	102	99	95	94	91	83	75	99	87
	44706	561	523	12.408	97	103	100	96	95	91	85	77	100	88
	50020	52	0	10.189	100	107	103	100	97	94	90	82	103	91
	33316	950	929	15.063	99	102	99	96	94	90	86	79	99	88
	38094	875	846	15.036	98	102	99	97	94	90	85	78	99	88
38°	42872	746	710	14.660	98	103	99	97	95	91	85	77	99	88
	47650	580	536	13.977	99	104	100	97	95	91	85	78	100	89
	54817	60	0	11.823	98	107	103	101	98	94	91	83	103	92
	38968	926	897	16.848	98	102	98	95	92	89	82	76	98	86
	44413	851	814	16.743	98	102	98	97	93	89	83	76	99	87
40°	52977	492	438	14.976	101	106	101	99	96	92	86	79	101	90
	54980	364	306	14.324	100	106	102	100	97	93	87	81	102	90
	59614	68	0	13.457	96	107	103	101	98	94	90	83	103	92

Performance certified is for installation type B - free inlet, ducted outlet. Performance ratings do not include the effects of appurtenances(accessories). Values shown are for inlet Lwi and LwiA sound power levels for Installation type B: free inlet, ducted outlet. The sound power level ratings shown are in decibels, referred to as 10⁻¹² Watts, calculated per AMCA International Standard 301. The A-weighted sound ratings shown have been calculated per AMCA International Standard 301. dBA A-weighted sound pressure levels based on 11.5dB sound attenuation per octave band at 1.5m. Note that dBA levels are not licensed by AMCA International.

Model: YFIMF-1250D													Motor Frequency:50Hz	
RPM=1450r/min														
叶片角度	风量	全压	静压	轴功率	八段倍频程 (dB)								声功率级	声压级
Deg	m³/h	Pa	Pa	kW	1	2	3	4	5	6	7	8	LwA	dBA
30°	27710	1844	1829	28.037	112	116	115	112	109	103	95	88	114	102
	33221	1663	1641	28.525	109	114	112	109	107	103	94	86	112	100
	42081	1373	1339	29.309	104	110	107	104	104	102	93	83	109	97
	53378	519	465	23.717	107	112	110	108	105	101	96	89	110	99
	57714	64	0	21.298	107	113	112	109	105	102	101	91	111	100
32°	32401	1970	1950	33.941	111	114	113	110	108	103	96	89	112	101
	39347	1758	1726	34.375	108	112	110	107	106	102	95	87	111	99
	46293	1545	1502	34.810	105	111	108	105	105	102	93	84	109	97
	53239	1133	1077	32.530	106	111	108	106	105	101	94	86	109	98
	63658	82	0	25.903	108	114	112	109	106	103	101	91	112	100
34°	37092	2097	2070	39.846	110	112	111	108	107	102	98	90	111	100
	44317	1890	1850	40.124	108	112	109	107	106	102	96	87	110	99
	51542	1683	1630	40.402	106	111	108	105	104	101	94	85	109	97
	58767	1318	1250	38.538	106	112	109	105	104	101	94	86	109	97
	69604	100	0	30.508	109	115	112	109	106	103	101	91	112	101
36°	41783	2223	2190	45.750	110	111	109	107	107	101	99	91	110	99
	49363	2020	1972	45.873	108	111	109	106	105	101	97	88	109	98
	61540	1693	1621	46.071	105	112	109	104	103	100	93	84	108	97
	67524	1280	1193	42.757	107	113	110	105	104	100	94	87	109	98
	75551	119	0	35.110	110	116	113	110	107	103	99	92	112	101
38°	50321	2168	2119	51.902	109	111	108	105	104	100	95	88	109	97
	57537	1996	1930	51.811	108	111	108	106	104	99	95	87	109	97
	64754	1703	1620	50.517	108	112	109	106	104	100	94	86	109	97
	71971	1324	1224	48.162	108	114	110	107	105	101	94	87	110	98
	82796	137	0	40.741	108	116	113	110	107	103	100	92	113	101
40°	58858	2113	2047	58.055	108	112	108	104	101	98	92	86	107	95
	67082	1942	1856	57.693	108	112	108	107	102	98	93	86	108	96
	80018	1121	999	51.604	111	115	111	109	105	101	95	89	111	99
	83042	830	698	49.359	109	115	111	109	106	102	96	90	111	100
	90043	155	0	46.370	105	116	113	111	108	103	99	93	113	101

Performance certified is for installation type B - free inlet, ducted outlet. Performance ratings do not include the effects of appurtenances(accessories). Values shown are for inlet Lwi and LwiA sound power levels for Installation type B: free inlet, ducted outlet. The sound power level ratings shown are in decibels, referred to as 10⁻¹² Watts, calculated per AMCA International Standard 301. The A-weighted sound ratings shown have been calculated per AMCA International Standard 301. dBA A-weighted sound pressure levels based on 11.5dB sound attenuation per octave band at 1.5m. Note that dBA levels are not licensed by AMCA International.

Model: YFIMF-400D													Motor Frequency:60Hz	
RPM=1740r/min														
叶片角度	风量	全压	静压	轴功率	八段倍频程 (dB)								声功率级	声压级
Deg	m³/h	Pa	Pa	kW	1	2	3	4	5	6	7	8	LwA	dBA
30°	1280	254	251	0.253	81	89	80	75	75	71	69	59	80	69
	1435	244	240	0.253	82	89	79	74	74	71	69	59	80	69
	1775	219	214	0.253	85	89	79	73	73	71	69	59	80	68
	1952	153	146	0.253	77	90	79	73	73	71	68	58	80	68
	2360	11	0	0.222	77	89	80	78	76	72	69	59	81	70
32°	1257	269	266	0.262	81	90	80	74	74	71	70	59	80	69
	1556	251	247	0.267	83	89	79	74	73	71	70	59	80	68
	1856	234	227	0.271	84	89	79	73	73	71	70	59	80	68
	2155	156	147	0.265	79	89	79	74	74	71	69	58	80	68
	2604	13	0	0.237	78	89	80	78	76	73	70	59	81	70
34°	1233	283	281	0.271	81	91	80	74	73	71	70	60	80	69
	1592	265	260	0.280	82	90	80	74	73	71	70	60	80	68
	1951	247	240	0.288	84	88	79	73	73	71	70	60	80	68
	2311	176	166	0.281	81	88	79	74	73	71	70	59	80	68
	2849	16	0	0.251	79	89	80	78	76	74	70	59	82	70
36°	1209	298	295	0.280	81	92	80	73	72	71	70	61	81	69
	2132	256	248	0.308	84	87	80	73	72	71	70	60	79	68
	2526	185	173	0.295	83	87	80	75	73	71	70	59	80	68
	2786	108	94	0.276	82	88	80	76	75	73	70	59	81	69
	3094	18	0	0.266	81	88	81	78	77	75	70	60	82	71
38°	1473	322	318	0.323	81	91	81	77	75	72	73	65	82	70
	1893	299	291	0.336	83	91	81	76	74	72	72	62	81	69
	2313	276	265	0.350	84	90	80	75	73	71	70	59	80	69
	2732	200	186	0.346	82	88	79	75	74	71	69	58	80	68
	3362	21	0	0.326	81	88	81	79	77	74	70	59	82	71
40°	1737	346	340	0.366	81	89	83	80	77	73	77	68	84	72
	2610	289	276	0.394	85	93	80	76	73	70	69	58	81	70
	3003	205	188	0.396	82	88	79	77	75	71	68	58	80	69
	3321	114	93	0.381	81	88	80	78	76	72	69	58	81	70
	3630	25	0	0.385	81	87	81	80	77	73	70	59	82	71

Performance certified is for installation type B - free inlet, ducted outlet. Performance ratings do not include the effects of appurtenances(accessories). Values shown are for inlet Lwi and LwiA sound power levels for Installation type B: free inlet, ducted outlet. The sound power level ratings shown are in decibels, referred to as 10⁻¹² Watts, calculated per AMCA International Standard 301. The A-weighted sound ratings shown have been calculated per AMCA International Standard 301. dBA A-weighted sound pressure levels based on 11.5dB sound attenuation per octave band at 1.5m. Note that dBA levels are not licensed by AMCA International.

Model: YFIMF-450D													Motor Frequency:60Hz	
RPM=1740r/min														
叶片角度	风量	全压	静压	轴功率	八段倍频程 (dB)								声功率级	声压级
Deg	m³/h	Pa	Pa	kW	1	2	3	4	5	6	7	8	LwA	dBA
30°	1823	322	318	0.456	85	93	84	78	78	75	73	63	84	73
	2043	308	303	0.457	86	93	83	78	78	75	73	63	84	72
	2527	278	270	0.457	89	93	82	77	77	75	73	63	84	72
	2779	194	185	0.457	80	94	82	77	77	75	72	61	84	72
	3360	13	0	0.400	80	93	84	81	79	76	73	63	85	74
32°	1789	340	337	0.473	85	94	84	78	78	75	73	63	84	73
	2216	318	312	0.480	86	93	83	78	77	75	73	63	84	72
	2642	296	288	0.488	88	92	83	77	77	75	73	63	83	72
	3069	198	186	0.477	83	93	83	78	77	75	73	62	84	72
	3708	16	0	0.427	82	93	84	81	80	77	73	63	85	74
34°	1756	359	355	0.489	85	95	84	78	77	75	74	64	84	73
	2267	336	329	0.504	86	93	83	77	77	75	74	64	84	72
	2778	313	303	0.519	88	92	83	77	77	75	74	63	83	72
	3290	223	210	0.507	85	92	83	78	77	75	73	62	84	72
	4056.6	19.6	0.0	0.453	83	92	84	81	80	78	74	63	86	74
36°	1722	377	373	0.505	85	96	84	77	76	75	74	65	84	73
	3035	325	314	0.555	88	91	84	77	76	75	74	64	83	72
	3596	234	219	0.532	87	91	84	78	77	75	74	63	84	72
	3967	137	118	0.497	86	91	84	80	79	77	74	63	85	73
	4405	23	0	0.479	85	92	85	81	80	78	74	64	86	74
38°	2098	407	402	0.583	85	95	85	80	78	76	77	68	86	74
	2695	378	369	0.606	86	94	84	79	78	75	75	66	85	73
	3293	349	336	0.630	88	94	84	78	77	75	74	63	84	72
	3890	254	236	0.624	86	91	83	79	78	75	73	62	84	72
	4786	27	0	0.587	85	91	85	82	80	78	74	63	86	74
40°	2473	438	430	0.660	85	93	87	84	80	77	80	72	87	76
	3716	365	349	0.711	89	97	84	79	77	74	73	61	85	74
	4276	259	238	0.713	86	92	82	80	78	75	72	61	84	72
	4728	144	117	0.687	85	91	84	82	79	76	73	62	85	73
	5168	31	0	0.695	85	91	85	84	80	77	74	63	86	74

Performance certified is for installation type B - free inlet, ducted outlet. Performance ratings do not include the effects of appurtenances(accessories). Values shown are for inlet Lwi and LwiA sound power levels for Installation type B: free inlet, ducted outlet. The sound power level ratings shown are in decibels, referred to as 10⁻¹² Watts, calculated per AMCA International Standard 301. The A-weighted sound ratings shown have been calculated per AMCA International Standard 301. dBA A-weighted sound pressure levels based on 11.5dB sound attenuation per octave band at 1.5m. Note that dBA levels are not licensed by AMCA International.

Model: YFIMF-500D													Motor Frequency:60Hz	
RPM=1740r/min														
叶片角度	风量	全压	静压	轴功率	八段倍频程 (dB)								声功率级	声压级
Deg	m³/h	Pa	Pa	kW	1	2	3	4	5	6	7	8	LwA	dBA
30°	2057	459	456	0.597	85	89	92	86	81	78	71	62	88	77
	3015	392	385	0.627	80	89	89	83	79	78	71	61	86	75
	3469	327	318	0.614	79	89	89	83	79	78	71	61	86	75
	3829	276	265	0.603	78	88	89	83	79	78	71	61	86	75
	4620	17	0	0.497	84	86	91	86	82	80	77	63	89	77
32°	2329	471	467	0.687	84	89	92	85	80	79	73	66	88	76
	2944	430	423	0.702	82	89	91	84	79	79	72	65	87	76
	3560	381	370	0.711	80	89	90	83	79	78	72	65	86	75
	4175	298	284	0.694	78	88	90	83	79	78	72	64	86	75
	5099	21	0	0.582	83	88	92	86	82	80	77	63	89	77
34°	2600	483	478	0.776	82	89	92	83	80	80	74	71	88	76
	3262	441	432	0.790	81	89	91	83	79	79	74	70	87	76
	3924	395	382	0.800	80	88	91	83	79	79	73	68	87	75
	4586	310	294	0.783	79	89	91	83	79	79	72	67	87	75
	5579	25	0	0.666	83	90	92	86	82	80	77	64	89	77
36°	2871	495	489	0.865	81	88	91	82	80	81	76	76	88	76
	3717	444	432	0.880	81	88	91	82	79	80	75	73	88	76
	4564	392	376	0.894	81	88	91	83	79	80	73	71	87	76
	5161	297	276	0.864	79	89	91	83	79	79	72	70	87	76
	6060	29	0	0.751	82	91	92	86	82	80	77	64	89	78
38°	2919	532	526	0.956	83	88	91	83	79	79	74	70	87	76
	3740	497	486	0.992	83	88	91	83	79	79	74	69	87	75
	4561	463	446	1.029	83	88	90	83	79	79	73	68	87	75
	5382	351	328	1.008	82	89	90	83	79	79	73	67	87	75
	6614	35	0	0.881	83	92	92	86	82	80	76	66	89	78
40°	2968	569	562	1.047	86	87	90	84	78	78	72	65	86	75
	3996	540	527	1.114	86	87	90	84	78	78	72	65	86	75
	4971	512	493	1.177	85	87	89	84	79	78	72	64	86	75
	5996	341	313	1.134	85	90	89	84	80	79	72	64	87	75
	7168	40	0	1.011	85	93	91	85	83	81	76	67	89	78

Performance certified is for installation type B - free inlet, ducted outlet. Performance ratings do not include the effects of appurtenances(accessories). Values shown are for inlet Lwi and LwiA sound power levels for Installation type B: free inlet, ducted outlet. The sound power level ratings shown are in decibels, referred to as 10⁻¹² Watts, calculated per AMCA International Standard 301. The A-weighted sound ratings shown have been calculated per AMCA International Standard 301. dBA A-weighted sound pressure levels based on 11.5dB sound attenuation per octave band at 1.5m. Note that dBA levels are not licensed by AMCA International.

Model: YFIMF-560D													Motor Frequency:60Hz	
RPM=1152 r/min														
叶片角度	风量	全压	静压	轴功率	八段倍频程 (dB)								声功率级	声压级
Deg	m³/h	Pa	Pa	kW	1	2	3	4	5	6	7	8	LwA	dBA
30°	1914	252	251	0.306	79	83	87	80	75	72	66	56	83	71
	2805	216	212	0.321	74	83	83	77	73	72	66	55	80	69
	3227	180	175	0.314	73	83	83	77	73	72	66	55	80	69
	3562	152	146	0.309	72	82	83	77	73	72	66	55	80	69
	4297	9	0	0.254	78	80	86	80	76	74	71	57	83	71
32°	2166	259	257	0.351	78	83	86	79	75	73	67	61	82	71
	2739	237	233	0.359	76	83	85	78	74	73	67	60	81	70
	3311	209	204	0.364	74	83	84	77	73	73	66	59	81	69
	3884	164	156	0.355	73	83	84	77	73	72	66	58	81	69
	4743	11	0	0.298	77	82	86	80	76	74	71	58	83	72
34°	2418	266	263	0.397	76	83	86	77	74	74	68	65	82	70
	3034	243	238	0.404	75	83	85	77	74	74	68	64	81	70
	3650	217	210	0.409	75	83	85	77	73	73	67	63	81	70
	4266	171	161	0.401	73	83	85	77	73	73	66	62	81	69
	5190	14	0	0.341	77	84	86	80	76	74	71	58	83	72
36°	2670	272	269	0.442	75	82	86	76	74	75	70	70	82	71
	3457	244	238	0.450	75	82	86	77	73	74	69	68	82	70
	4245	216	207	0.457	75	82	86	77	73	74	68	66	82	70
	4801	163	152	0.442	73	83	86	77	73	73	67	65	81	70
	5637	16	0	0.384	76	86	87	80	76	74	71	58	83	72
38°	2715	293	289	0.489	78	82	85	77	73	73	68	65	81	70
	3479	274	267	0.508	77	82	85	77	73	73	68	63	81	70
	4243	254	245	0.526	77	82	85	78	73	73	67	62	81	69
	5007	193	180	0.515	76	83	84	78	73	73	67	62	81	70
	6152	19	0	0.451	78	87	86	80	77	74	70	60	83	72
40°	2760	313	309	0.536	80	81	84	78	72	72	67	59	81	69
	3717	297	290	0.570	80	81	84	78	72	72	67	59	81	69
	4624	282	271	0.602	79	81	83	78	73	72	67	58	81	69
	5577	188	172	0.580	79	84	83	78	74	73	67	58	81	70
	6668	22	0	0.517	79	88	86	79	77	75	70	61	83	72

Performance certified is for installation type B - free inlet, ducted outlet. Performance ratings do not include the effects of appurtenances(accessories). Values shown are for inlet Lwi and LwiA sound power levels for Installation type B: free inlet, ducted outlet. The sound power level ratings shown are in decibels, referred to as 10⁻¹² Watts, calculated per AMCA International Standard 301. The A-weighted sound ratings shown have been calculated per AMCA International Standard 301. dBA A-weighted sound pressure levels based on 11.5dB sound attenuation per octave band at 1.5m. Note that dBA levels are not licensed by AMCA International.

Model: YFIMF-630D													Motor Frequency:60Hz	
RPM=1152 r/min														
叶片角度	风量	全压	静压	轴功率	八段倍频程 (dB)								声功率级	声压级
Deg	m³/h	Pa	Pa	kW	1	2	3	4	5	6	7	8	LwA	dBA
30°	2511	283	281	0.501	86	86	86	84	79	77	69	57	85	74
	3600	260	256	0.535	85	84	82	79	77	76	68	56	82	71
	4003	227	222	0.525	85	84	81	78	77	76	69	57	82	71
	5092	140	132	0.497	84	84	78	78	77	77	69	59	82	71
	5991	11	0	0.433	85	83	80	81	79	78	78	63	85	73
32°	2842	306	303	0.576	85	86	85	82	78	77	69	58	84	73
	3690	286	281	0.600	84	85	83	79	77	76	69	57	83	71
	4537	248	241	0.608	83	85	81	78	77	76	68	57	82	71
	5385	181	173	0.585	83	85	79	78	77	77	69	59	82	71
	6657	14	0	0.497	84	85	81	81	79	78	76	63	85	74
34°	3172	328	325	0.651	83	87	83	80	77	77	69	60	83	72
	4095	305	299	0.676	82	86	82	78	77	76	69	59	83	71
	5017	272	265	0.692	81	85	81	77	77	76	68	58	82	71
	5939	202	192	0.666	83	85	79	78	77	77	69	59	83	71
	7323	16	0	0.561	83	86	81	82	80	78	75	64	85	74
36°	3503	351	347	0.726	82	87	82	78	77	77	69	61	83	71
	5059	309	301	0.765	80	86	81	77	77	77	69	59	82	71
	5572	295	286	0.778	79	86	81	77	77	77	68	59	82	71
	6555	219	206	0.744	82	86	80	79	78	77	69	60	83	71
	7989	19	0	0.626	82	88	82	82	81	79	74	64	86	74
38°	3586	362	359	0.805	83	86	80	77	77	76	69	60	82	70
	4732	347	340	0.875	81	86	81	78	77	76	69	60	83	71
	5877	314	304	0.906	82	85	80	79	78	76	69	61	83	71
	7022	241	227	0.874	83	88	82	82	81	79	74	65	86	74
	8740	23	0	0.747	83	88	82	82	81	79	74	65	86	74
40°	4597	370	363	0.960	84	85	79	77	77	75	68	60	81	70
	5796	335	324	0.994	83	85	79	77	77	75	68	60	81	70
	6975	300	286	1.027	83	84	79	78	77	75	68	60	81	70
	7766	243	225	0.992	83	84	80	79	78	76	69	61	82	71
	9491	27	0	0.869	85	88	83	82	81	79	74	66	86	74

Performance certified is for installation type B - free inlet, ducted outlet. Performance ratings do not include the effects of appurtenances(accessories). Values shown are for inlet Lwi and LwiA sound power levels for Installation type B: free inlet, ducted outlet. The sound power level ratings shown are in decibels, referred to as 10⁻¹² Watts, calculated per AMCA International Standard 301. The A-weighted sound ratings shown have been calculated per AMCA International Standard 301. dBA A-weighted sound pressure levels based on 11.5dB sound attenuation per octave band at 1.5m. Note that dBA levels are not licensed by AMCA International.

Model: YFIMF-630D													Motor Frequency:60Hz	
RPM=1740 r/min														
叶片角度	风量	全压	静压	轴功率	八段倍频程 (dB)								声功率级	声压级
Deg	m³/h	Pa	Pa	kW	1	2	3	4	5	6	7	8	LwA	dBA
30°	3793	646	642	1.727	110	110	110	107	101	98	89	74	108	96
	5438	592	583	1.843	94	93	91	88	86	85	78	65	92	80
	6046	518	507	1.808	94	93	90	88	86	85	78	66	92	80
	7691	318	301	1.714	93	93	87	87	86	86	79	68	92	80
	9049	25	0	1.491	94	92	89	90	88	87	87	72	94	83
32°	4292	698	692	1.986	94	96	94	91	87	86	79	68	94	82
	5573	652	642	2.069	93	95	92	89	86	86	78	67	92	81
	6853	565	550	2.094	92	94	90	87	86	86	78	67	92	80
	8134	414	394	2.015	93	94	88	88	86	86	79	68	92	80
	10055	31	0	1.713	93	94	90	91	89	87	86	73	94	83
34°	4792	749	742	2.244	93	96	93	89	87	86	79	69	93	81
	6185	695	683	2.329	91	95	91	88	86	86	78	68	92	80
	7578	621	604	2.384	90	95	90	87	86	86	78	68	92	80
	8971	462	437	2.293	92	95	89	88	87	86	79	69	92	80
	11061	37	0	1.935	92	96	91	91	90	88	84	73	95	83
36°	5291	800	791	2.502	91	97	91	87	86	86	79	70	92	81
	7642	705	687	2.637	89	96	91	86	86	86	78	69	92	80
	8416	673	652	2.681	88	96	90	86	86	86	78	68	92	80
	9901	499	469	2.565	91	96	89	88	87	86	79	69	92	81
	12066	44	0	2.156	91	98	91	91	90	88	83	73	95	84
38°	5417	827	818	2.774	92	96	90	87	86	85	78	70	91	80
	7147	791	776	3.015	91	95	90	87	87	86	79	70	92	80
	8876	717	693	3.121	92	95	89	88	87	86	79	70	92	81
	10606	551	517	3.013	93	98	92	91	90	88	83	75	95	84
	13201	53	0	2.575	93	98	92	91	90	88	83	75	95	84
40°	6944	843	829	3.308	93	94	88	86	86	84	78	69	91	79
	8754	764	740	3.424	93	94	88	87	86	84	78	69	91	79
	10536	685	652	3.539	92	93	88	87	86	84	78	69	91	79
	11730	554	513	3.420	92	93	89	88	87	85	79	70	92	80
	14336	62	0	2.993	94	98	92	91	90	88	83	76	95	84

Model: YFIMF-710D													Motor Frequency:60Hz	
RPM=1152 r/min														
叶片角度	风量	全压	静压	轴功率	八段倍频程 (dB)								声功率级	声压级
Deg	m³/h	Pa	Pa	kW	1	2	3	4	5	6	7	8	LwA	dBA
30°	3594	360	357	0.911	90	90	90	88	83	80	73	61	89	78
	5153	330	325	0.972	89	88	86	83	80	79	72	59	86	75
	5729	289	282	0.954	89	88	85	82	80	80	72	60	86	75
	7288	177	167	0.904	88	88	82	82	80	80	73	63	86	74
	8576	14	0	0.787	89	87	84	85	83	82	82	67	89	77
	32°	4068	388	385	1.048	89	90	89	86	82	80	73	62	88
5281		363	357	1.092	88	89	86	83	81	80	72	61	87	75
6495		314	306	1.105	87	89	85	82	80	80	72	61	86	74
7708		230	219	1.063	87	89	83	82	81	80	73	63	86	75
9529		17	0	0.904	85	86	82	82	81	79	78	65	86	75
34°		4541	417	413	1.184	87	91	87	84	81	80	73	63	87
	5861	387	380	1.229	86	90	86	82	81	80	73	62	86	75
	7181	346	336	1.258	85	89	85	81	80	80	72	62	86	75
	8501	257	243	1.210	86	89	83	82	81	80	73	63	86	75
	10481	21	0	1.021	85	89	84	84	83	81	77	66	88	76
	36°	5014	445	441	1.320	86	91	86	82	80	80	73	65	86
7242		392	382	1.391	83	90	85	81	80	80	72	63	86	75
7976		375	363	1.414	83	90	85	80	80	80	72	63	86	75
9383		278	261	1.353	86	90	84	83	82	80	73	64	87	75
11435		24	0	1.138	86	92	86	86	85	83	77	68	89	78
38°		5797	457	451	1.533	85	88	82	79	79	78	71	62	84
	7289	426	415	1.607	84	88	83	80	80	79	72	63	85	73
	8781	384	370	1.638	83	87	82	79	79	78	70	62	84	72
	10272	289	269	1.572	84	87	82	81	80	78	71	62	85	73
	12510	29	0	1.358	85	90	84	84	83	81	75	67	88	76
	40°	6580	469	461	1.745	88	89	83	80	80	78	72	64	85
8153		429	416	1.801	87	88	83	81	80	78	72	64	85	74
9984		381	363	1.867	87	88	83	82	80	78	72	64	85	74
11117		308	285	1.804	87	88	84	83	82	79	73	65	86	75
13586		34	0	1.579	89	92	87	86	85	83	77	70	90	78

Performance certified is for installation type B - free inlet, ducted outlet. Performance ratings do not include the effects of appurtenances(accessories). Values shown are for inlet Lwi and LwiA sound power levels for Installation type B: free inlet, ducted outlet. The sound power level ratings shown are in decibels, referred to as 10⁻¹² Watts, calculated per AMCA International Standard 301. The A-weighted sound ratings shown have been calculated per AMCA International Standard 301. dBA A-weighted sound pressure levels based on 11.5dB sound attenuation per octave band at 1.5m. Note that dBA levels are not licensed by AMCA International.

Performance certified is for installation type B - free inlet, ducted outlet. Performance ratings do not include the effects of appurtenances(accessories). Values shown are for inlet Lwi and LwiA sound power levels for Installation type B: free inlet, ducted outlet. The sound power level ratings shown are in decibels, referred to as 10⁻¹² Watts, calculated per AMCA International Standard 301. The A-weighted sound ratings shown have been calculated per AMCA International Standard 301. dBA A-weighted sound pressure levels based on 11.5dB sound attenuation per octave band at 1.5m. Note that dBA levels are not licensed by AMCA International.

Model: YFIMF-900D													Motor Frequency:60Hz	
RPM=1740 r/min														
叶片角度	风量	全压	静压	轴功率	八段倍频程 (dB)								声功率级	声压级
Deg	m³/h	Pa	Pa	kW	1	2	3	4	5	6	7	8	LwA	dBA
30°	12343	1390	1380	10.496	117	123	123	122	114	112	102	90	122	110
	16021	1260	1241	10.629	99	105	105	105	98	96	88	78	105	94
	20813	1089	1059	10.802	96	103	103	105	97	95	88	77	104	93
	23037	864	827	10.247	96	105	103	103	97	95	89	81	104	93
	28725	58	0	7.965	98	105	107	105	99	96	96	85	106	95
32°	15100	1463	1446	12.520	101	106	105	104	98	96	88	79	105	93
	18747	1331	1304	12.669	99	105	104	104	98	95	88	78	104	93
	22394	1175	1139	12.717	97	104	104	104	97	95	88	78	104	93
	26041	853	804	12.026	97	105	104	104	98	95	89	82	104	93
	31512	71	0	9.914	99	105	107	105	100	96	95	85	106	95
34°	17856	1535	1511	14.544	100	105	104	103	97	94	87	79	104	92
	21510	1400	1366	14.710	98	104	103	103	97	94	87	78	103	92
	25164	1219	1173	14.674	97	104	103	103	97	94	87	79	103	92
	28819	873	814	13.910	98	105	104	104	98	95	89	82	104	93
	34300	84	0	11.863	100	106	107	105	101	97	95	85	106	95
36°	20612	1607	1577	16.567	99	105	102	101	96	93	87	78	102	91
	23638	1493	1454	16.719	98	104	102	101	96	93	87	78	102	91
	26789	1375	1325	16.876	97	103	102	101	96	93	87	78	102	91
	31403	922	853	15.890	98	106	105	103	98	95	89	81	104	93
	37087	96	0	13.812	101	107	107	105	101	97	94	86	107	95
38°	18650	1686	1662	17.035	103	106	105	102	97	93	87	80	103	92
	23385	1555	1514	17.687	101	106	104	102	97	95	87	80	104	92
	28121	1388	1332	18.187	99	106	104	103	97	98	87	79	104	93
	32857	1055	979	17.861	100	107	105	103	98	96	88	81	105	93
	39961	112	0	15.334	103	108	107	105	101	97	93	86	107	95
40°	16687	1765	1746	17.503	107	108	107	102	98	94	88	82	104	93
	25225	1581	1533	19.148	103	108	105	103	98	100	87	81	105	94
	30907	1457	1391	20.243	100	108	105	103	97	93	87	79	104	92
	35575	1106	1018	19.785	101	108	106	103	98	94	88	80	104	93
	42835	129	0	16.856	105	110	108	105	101	97	93	86	107	95

Performance certified is for installation type B - free inlet, ducted outlet. Performance ratings do not include the effects of appurtenances(accessories). Values shown are for inlet Lwi and LwiA sound power levels for Installation type B: free inlet, ducted outlet. The sound power level ratings shown are in decibels, referred to as 10⁻¹² Watts, calculated per AMCA International Standard 301. The A-weighted sound ratings shown have been calculated per AMCA International Standard 301. dBA A-weighted sound pressure levels based on 11.5dB sound attenuation per octave band at 1.5m. Note that dBA levels are not licensed by AMCA International.

Model: YFIMF-1000D													Motor Frequency:60Hz	
RPM=1152 r/min														
叶片角度	风量	全压	静压	轴功率	八段倍频程 (dB)								声功率级	声压级
Deg	m³/h	Pa	Pa	kW	1	2	3	4	5	6	7	8	LwA	dBA
30°	11210	753	747	5.159	95	101	101	100	93	91	83	73	100	89
	14550	682	671	5.224	93	99	99	99	92	90	82	72	99	88
	18903	589	573	5.309	90	97	97	98	91	89	82	71	98	87
	20922	468	448	5.036	90	98	97	97	91	89	83	75	98	86
	26087	31	0	3.915	92	98	101	98	93	90	90	79	100	89
32°	13713	792	782	6.153	95	100	99	98	92	90	82	73	99	87
	17026	720	706	6.226	93	99	98	98	92	89	82	72	98	87
	20338	636	616	6.250	91	98	98	98	91	89	82	72	98	86
	23651	461	435	5.910	91	99	98	97	92	89	83	76	98	87
	28619	38	0	4.873	93	99	101	98	94	90	89	79	100	89
34°	16216	831	818	7.148	94	99	98	97	91	88	81	73	98	86
	19535	758	739	7.229	92	98	97	97	91	88	81	72	97	86
	22854	660	635	7.212	91	98	97	97	91	88	81	72	97	86
	26173	473	441	6.837	92	99	98	97	92	89	83	76	98	87
	31151	45	0	5.830	94	100	101	98	95	91	89	79	100	89
36°	18719	870	853	8.142	93	98	96	95	90	87	81	72	96	85
	21468	808	787	8.217	92	98	96	95	90	87	81	72	96	85
	24329	744	717	8.294	91	97	96	95	90	87	81	72	96	85
	28520	499	462	7.810	92	100	98	97	92	89	83	75	98	87
	33682	52	0	6.788	95	101	101	98	95	91	88	80	101	89
38°	16937	912	899	8.372	97	100	98	96	91	87	81	74	97	86
	21238	841	819	8.692	95	100	98	96	91	89	81	74	98	86
	25539	751	721	8.938	93	100	98	97	91	92	81	73	98	87
	29841	571	530	8.778	94	101	99	97	92	90	82	75	99	87
	36292	61	0	7.536	97	102	101	98	95	91	87	80	101	89
40°	15155	955	945	8.602	101	102	101	96	92	88	82	76	98	87
	22909	855	829	9.411	97	102	99	97	92	94	81	75	99	88
	28069	789	752	9.949	94	102	98	97	91	87	81	73	98	86
	32309	599	551	9.724	95	102	100	97	92	88	82	74	98	87
	38902	70	0	8.284	98	104	102	98	95	91	87	80	101	89

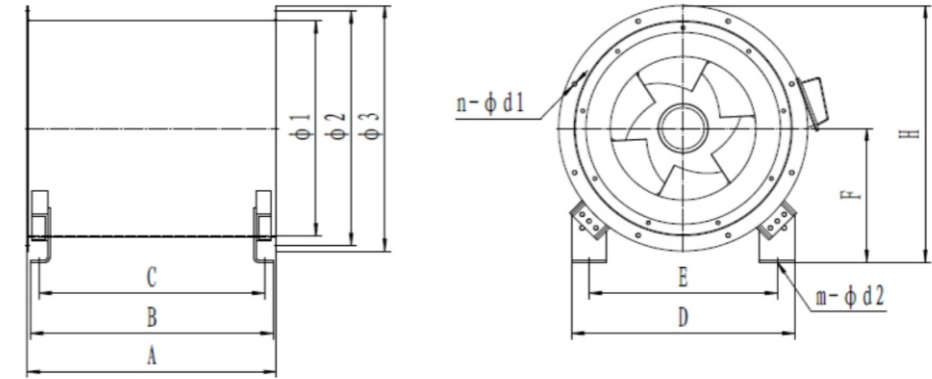
Performance certified is for installation type B - free inlet, ducted outlet. Performance ratings do not include the effects of appurtenances(accessories). Values shown are for inlet Lwi and LwiA sound power levels for Installation type B: free inlet, ducted outlet. The sound power level ratings shown are in decibels, referred to as 10⁻¹² Watts, calculated per AMCA International Standard 301. The A-weighted sound ratings shown have been calculated per AMCA International Standard 301. dBA A-weighted sound pressure levels based on 11.5dB sound attenuation per octave band at 1.5m. Note that dBA levels are not licensed by AMCA International.

Model: YFIMF-1250D													Motor Frequency:60Hz	
RPM=1152 r/min														
叶片角度	风量	全压	静压	轴功率	八段倍频程 (dB)								声功率级	声压级
Deg	m³/h	Pa	Pa	kW	1	2	3	4	5	6	7	8	LwA	dBA
30°	22015	1164	1155	14.060	107	111	110	107	103	98	90	82	108	97
	26394	1050	1036	14.305	104	108	106	104	102	98	89	81	106	95
	33432	867	845	14.698	99	104	101	99	99	97	88	78	104	92
	42408	328	294	11.893	101	107	104	102	100	96	91	83	105	93
	45853	40	0	10.680	101	108	107	103	100	97	96	86	106	95
32°	25742	1244	1231	17.021	106	109	108	105	103	97	91	83	107	96
	31261	1109	1089	17.239	103	107	105	102	101	97	90	81	105	94
	36779	975	948	17.456	100	105	102	100	99	97	88	79	104	92
	42298	715	680	16.313	100	106	103	100	99	96	89	81	104	92
	50576	52	0	12.990	102	109	107	104	101	97	96	86	106	95
34°	29469	1324	1306	19.982	105	107	105	103	102	97	93	84	106	95
	35209	1193	1168	20.121	103	107	104	101	101	96	91	82	105	93
	40949	1062	1029	20.261	101	106	103	100	99	96	89	80	104	92
	46689	832	789	19.326	101	106	104	100	99	96	88	80	104	92
	55299	63	0	15.299	103	110	107	104	101	98	96	86	107	95
36°	33196	1403	1382	22.943	104	105	103	101	101	96	94	86	105	94
	39218	1275	1245	23.004	103	106	103	100	100	96	92	83	104	93
	48892	1069	1023	23.104	100	107	103	99	98	95	88	79	103	91
	53647	808	753	21.442	101	108	104	100	99	95	89	81	104	92
	60024	75	0	17.607	104	111	108	104	101	98	94	87	107	96
38°	39979	1369	1337	26.028	103	106	103	100	99	94	90	83	103	92
	45712	1260	1218	25.982	103	106	103	101	98	94	89	82	103	92
	51446	1075	1023	25.333	102	107	104	101	99	95	89	81	104	92
	57180	836	773	24.152	103	108	105	101	99	95	89	82	104	93
	65780	86	0	20.431	102	111	108	105	102	98	95	87	107	96
40°	46762	1334	1292	29.113	102	107	102	99	96	93	87	80	102	90
	53296	1226	1172	28.932	102	107	102	101	97	93	88	80	103	91
	63573	708	631	25.878	105	110	105	103	100	96	90	83	105	94
	65976	524	440	24.752	104	110	106	104	101	97	91	85	106	95
	71537	98	0	23.254	100	111	108	105	102	98	94	88	108	96

Performance certified is for installation type B - free inlet, ducted outlet. Performance ratings do not include the effects of appurtenances(accessories). Values shown are for inlet Lwi and LwA sound power levels for Installation type B: free inlet, ducted outlet. The sound power level ratings shown are in decibels, referred to as 10⁻¹² Watts, calculated per AMCA International Standard 301. The A-weighted sound ratings shown have been calculated per AMCA International Standard 301. dBA-A-weighted sound pressure levels based on 11.5dB sound attenuation per octave band at 1.5m. Note that dBA levels are not licensed by AMCA International.

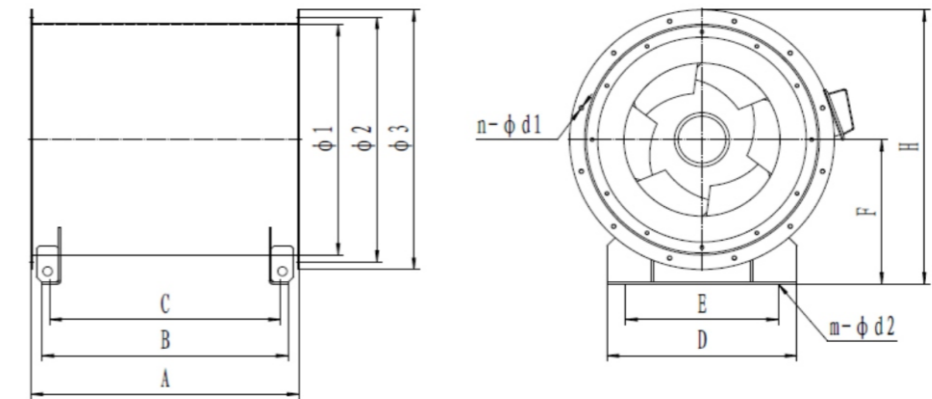
尺寸及重量
Dimension and weight

YFIMF-400~500D直连



型号	外形尺寸																			
	φ1(内)	φ2	φ3	A		B		C		D	E	F	H(MAX)	n	φd1	m	φd2		重量(kg)	
				普通	消防	普通	消防	普通	消防								座装	吊装	普通	消防
YFIMF-400D	450	494	530	585	710	569	694	525	650	494	404	309	574	8	12	4	18	12	46	50
YFIMF-450D	510	554	590	670	795	654	779	610	735	538	448	331	626	8	12	4	18	12	56	60
YFIMF-500D	560	604	640	725	850	709	834	665	790	574	484	349	669	8	12	4	18	12	66	70

YFIMF-560~1250D直连



型号	外形尺寸																			
	φ1(内)	φ2	φ3	A		B		C		D	E	F	H(MAX)	n	φd1	m	φd2		重量(kg)	
				普通	消防	普通	消防	普通	消防								座装	吊装	普通	消防
YFIMF-560D	630	674	710	790	915	730	855	690	815	550	450	395	750	12	12	4	18	12	94	101
YFIMF-630D	712	754	792	855	980	795	920	755	880	620	520	435	831	12	12	4	18	12	117	125
YFIMF-710D	809	854	889	930	1075	880	1025	830	975	700	600	485	930	12	12	4	18	12	143	154
YFIMF-800D	910	954	990	1040	1185	950	1095	900	1045	790	690	535	1030	16	14	4	18	12	179	193
YFIMF-900D	1017	1059	1097	1275	1420	1185	1330	1135	1280	890	790	590	1139	16	14	4	18	12	237	254
YFIMF-1000D	1130	1182	1230	1395	1575	1275	1455	1225	1405	990	870	655	1270	16	14	4	18	12	332	365
YFIMF-1120D	1270	1322	1370	1475	1655	1355	1535	1305	1485	1110	990	725	1410	20	14	4	18	12	419	447
YFIMF-1250D	1421	1472	1521	1660	1840	1618	1798	1568	1748	1240	1120	800	1560	20	14	4	18	12	546	584

注：1. 尺寸数据仅供参考，以工厂确认图纸为准。
2. 以上风机重量未包含电机。

Note: 1. Dimension date is for reference only,subject to drawings confirmation with factory technical confirmation.
2. The fan weight in the above table does not include that of motor.

>> 技术规范

YFIMF-D(直联型)技术规范

YFIMF-D Technical Specifications (Direct-Drive Type)

风机类型 Fan Type

风机类型应为全混流式管道风机，风机整机为圆筒型，其结构应为直联传动。
Fan type shall be inline mixed flow fan, direct driven.

质量标准 Quality Standards

风机性能应按照国际空气运动与控制协会（AMCA）210和300标准进行检测并通过其认证，每台风机出厂时均应贴有AMCA声音与空气性能的特许认证印章。生产企业应拥有全国工业品生产许可证和ISO 9001质量体系认证。
The fan performance shall be tested in accordance with AMCA Standard 210 and 300 in an AMCA accredited laboratory and certified for AMCA Sound and Air Performance Seal. Fans shall be licensed to bear the AMCA seal for sound and air performance. Manufacturer shall own the national manufacturing license together with internationally recognized Quality Management System (ISO 9001) standard.

叶轮 Wheel

叶轮应采用具有多种叶片角度可选的钢制全混流叶轮，以满足多样化工况优化选型的需要。叶轮必须配备锥形前盘、半球轮毂和后倾叶片。叶轮应经过静态和动态平衡，达到AMCA 204标准的G2.5平衡等级。叶轮处于最高允许转速时，应能保持平稳的气流和较低的噪声。叶轮特性应能有效避免因工作点滑动造成的性能下降。
Multiple blade angles shall be available to suit various operating environment. The wheel shall contain a shroud cover and a hemispherical back plate. It shall reach the static and dynamic balancing level of G2.5 per AMCA 204 standard. The wheel and fan inlet shall be carefully matched and shall have precise running tolerances for maximum performance and operating efficiency.

进风口 Inlet

风机进风口应严格按照空气动力特性设计，采用优质碳钢旋压成型，表面光滑呈流线形，且具有良好的集流效果，能有效减少紊流，提高风机效率，降低噪声。
The surface of the aerodynamically designed inlet shall be steamlined and smoothed to ensure the most economical air performance can be achieved. It shall improve the fan efficiency while reducing turbulence and noise.

机壳 Hub

风机应采用双筒体结构机壳，即：内风筒和外筒，两筒体之间应通过导叶连接。内风筒和外风筒都是采用优质碳钢板专机卷圆后全焊接而成，内风筒用于电机安装，两筒之间用导叶全焊接相连，一方面起到稳固内风筒的作用，另一方面提升风机气动性能和静压效率，使气流更顺畅地流动，导叶应为符合流场特性的三维曲面结构。
3D curved steel guide vanes shall be aerodynamically placed within the hub to minimize turbulence and aid in recover the rotating energy imparted to the air. The hub shall be able to improve the air performance and static pressure efficiency.

表面处理 Surface Coating

风机表面应先经过打磨清理，除去凸起异物、焊渣、毛刺、锐边、铁屑、油污，然后静电喷涂环氧树脂，应无凹凸、流挂、裂纹、皱皮、脱落现象，以保证风机长期运行防腐蚀。
The surface of the fan shall be cleaned thoroughly, free of cracks and finished with electrostatic epoxy coating. No uncoated fan parts shall be allowed.

电机 Motor

电机应采用B5安装结构，标配电机防护等级应为IP55，绝缘等级F级，温升等级B级。电机轴承应为滚珠式免润滑型。电机功率储备系数应按1.15选取，以提升风机使用的安全性。电机应处于内风筒之内，与气流隔绝，以避免输送介质对电机产生的影响。由于电机位于风机内部，供应商应提供将接线引至风机外部的电机接线盒，并根据消防型、普通型等应用，分别配备正确的接线盒类型。
The B5 Motor shall be carefully matched to the fan load. It shall be mounted out of the airstream. It shall be IP55 dust and water protection class; insulation class shall be F and temperature tolerance class B. It shall be equipped with electrostatic epoxy coated rain cover for outdoor operation. Since the motor is inside the housing, manufacturer shall provide wiring connection box. It shall be made according to the operation conditions of the fan.

选配件 Optional Accessories

应根据每台设备的具体要求提供相关配件，例如：减振器、进出口防护网、进出口软接头、进出口弯头、电机防雨罩等。
Accessories shall be available to suit different working conditions such as vibration isolator, inlet/outlet screen, connectors, motor cover, etc.

消防风机及认证（仅适用于消防排烟）

该风机作为消防风机应符合公安部消防产品合格评定中心关于消防排烟排烟设备产品认证实施细则CNCA-C18-02：2014的要求，应达到GA 211-2009《消防排烟风机耐高温试验方法》产品标准要求，在输送介质温度为280°C时风机持续运转30分钟以上无任何故障，并能提供国家授权检测机构出具的型式试验报告和中国国家强制性产品认证（CCCf）证书。

该风机作为消防风机应当通过 EN 12101 -《烟热控制系统部件第三部分：机械通风排烟设备技术要求》检验，应满足在输送介质温度300°C时风机持续运转120分钟以上无任何故障，确保耐高温性能满足标准要求，并提供TUV SUD认证机构出具的检测报告和Class 1A级别的一致性认可（CoC）证书。

The fire and smoke ventilation products shall be tested and certified per GA211-2009 standard under CNAC-C18-02:2014 "Heat resistance testing methods for fire and smoke exhaust fans" guidelines. The testing subject shall be able to maintain normal operation for 30 minutes under the temperature of 280°C. The test report shall be issued by the authorized laboratories and certified by the China Certification Center for Fire Products Ministry of Public Security (CCCf).

It shall pass the tests as described in the TUV SUD certification requirements for fire & smoke removal duty where it shall maintain normal operation for 120 minutes under the temperature of 300°C.

铭牌 Nameplate

永久固定的铝制标牌上应标有清晰可辨的风机编号，型号和产品序列号（即每台机器的唯一身份证明），从而可保证客户方便地查询配件的历史记录。
A permanent nameplate shall be mounted onto the fan with its serial number (a unique number for each machine), model number and product number clearly engraved on it.

可接受供货商 Qualified suppliers

可接受供货商的资信等级为AAA级，**英飞®**或类似产品，设计基于**英飞®**的YFIMF型号。
Qualified suppliers shall be assigned a credit rating of "AAA". **INFINAIR®** or similar products supplied are designed based on YFIMF models of **INFINAIR®**.