

# MXI

Mixed Flow Inline Fan

## TECHNICAL SPECIFICATIONS



PENNBARRY™

BULLETIN MXI18

# TABLE OF CONTENTS

INTRODUCTION	3
CERTIFICATIONS & LISTINGS	4
DIMENSIONAL DATA-ARRANGEMENT 4	5
DIMENSIONAL DATA-ARRANGEMENT 9	6
AIR PERFORMANCE	7-15
SOUND PERFORMANCE	16-32

# INTRODUCTION

## MXI

The PennBarry™ MXI Inline fan utilizes a highly efficient mixed flow wheel suitable for supply, exhaust, or return air applications. Its compact and lightweight design combines the high volume advantage of axial fans with the low sound and higher efficiency of centrifugal fans, and, through its versatility, it even surpasses the efficiency of traditional axial and centrifugal fan technology. Moreover, the outstanding air and sound performance of this fan sets it apart from the competition. Using the most advanced Computational Fluid Dynamics (CFD) software, PennBarry™ designed the MXI wheel to be the best in class for static efficiency among all mixed flow inline fans. With the MXI fan, PennBarry™ brings its innovation to market and sets a new standard for performance by having the most efficient mixed flow fan in the industry.



*Arrangement 9*



*Arrangement 4*

# CERTIFICATIONS & LISTINGS



## AMCA Certification

PennBarry certifies that the MXI models shown herein are licensed to bear the AMCA seal. The ratings shown are based on tests and procedures performed in accordance with AMCA publication 211 and AMCA publication 311 and comply with the requirements of the AMCA Certified Ratings Program.



## cULus and UL Certification

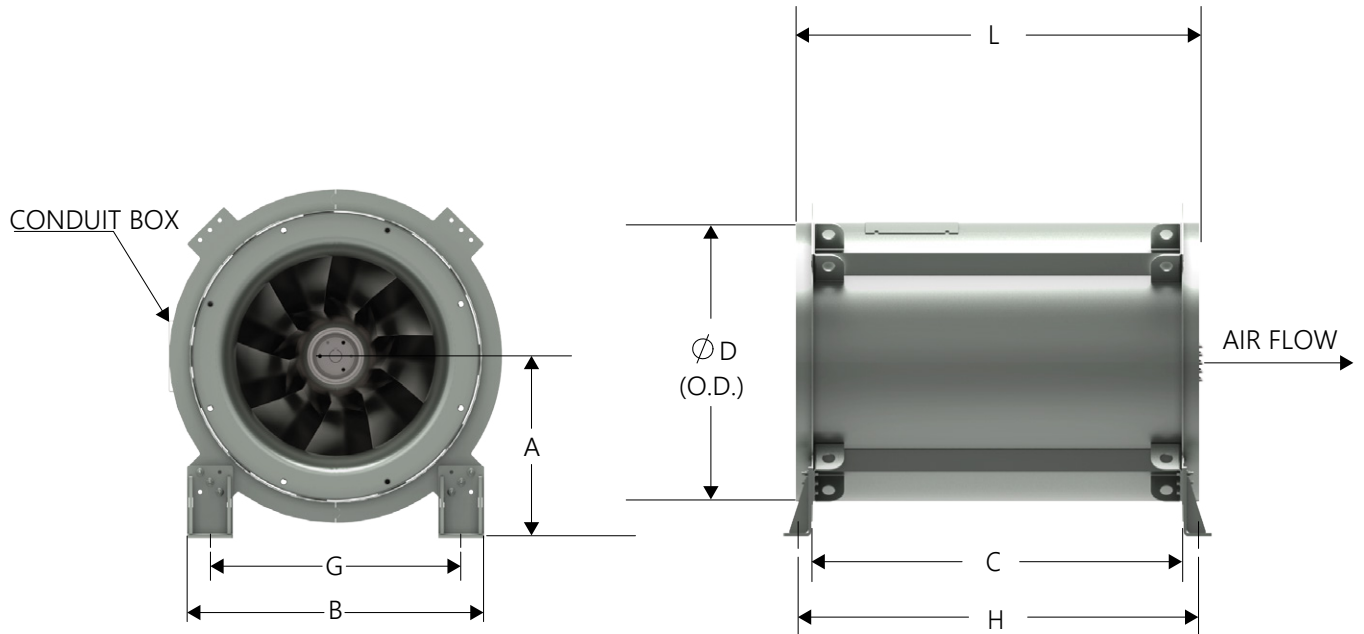
MXI carries the UL label, 705 Power Ventilators (ZACT, ZACT7): File #E256857

MXI with UL762 application option carries the UL762 Power Ventilators for Restaurant Exhaust label, UL762 (YZHW/ YZHW7), file #MH10684.



MXI with Heat and Smoke application option carries the UL Power Ventilators for Smoke Control Systems label, UL793 (ZAXH/ZAXH7), file #MH19473

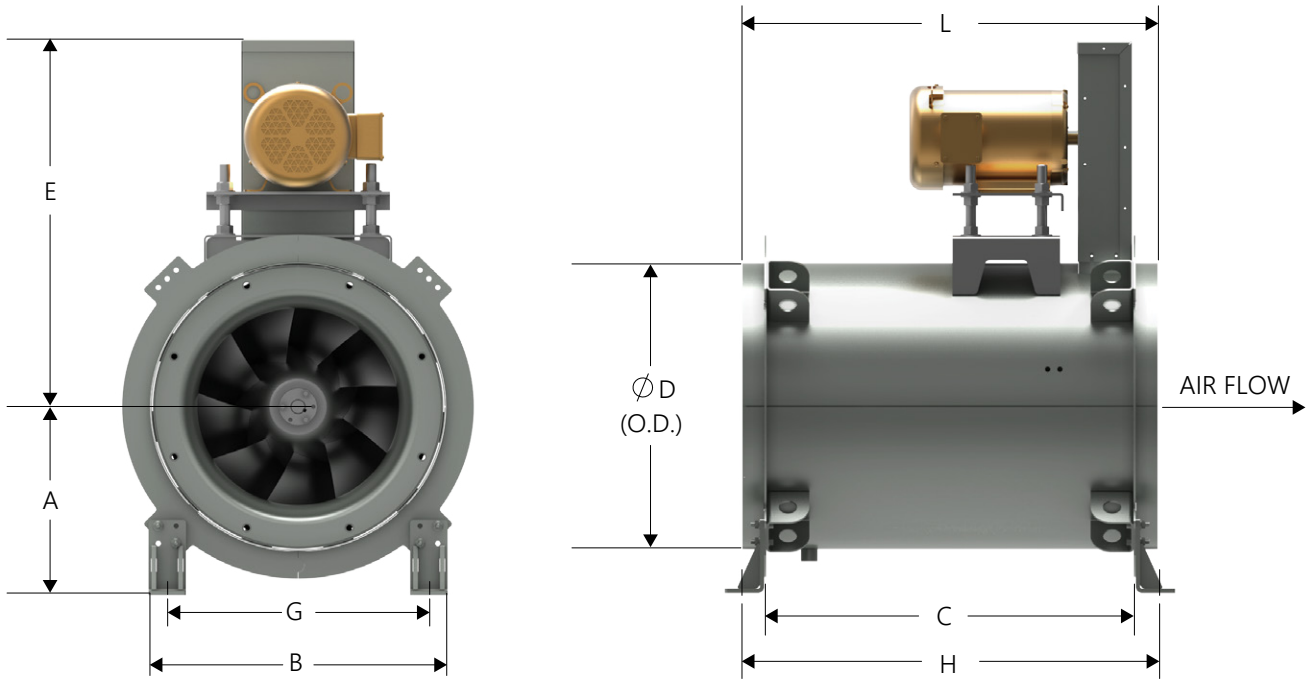
# DIMENSIONAL DATA-ARRANGEMENT 4



Size	A	B	C	D	G	H	L
122	12 11/16	20 13/16	21 1/8	17 7/8	16 13/16	25 1/4	25 1/8
135	14	22 1/8	23 13/16	19 3/4	18 1/8	27 15/16	27 13/16
150	14 3/4	23 11/16	26 7/8	21 7/8	19 11/16	31 1/16	30 7/8
165	15 5/16	24 3/4	30	23 3/8	20 3/4	34 1/8	33 15/16
182	16 3/16	26 1/2	33 1/2	25 13/16	22 1/2	37 5/8	37 7/16
200	17 1/16	28 5/16	37 3/16	28 3/8	24 5/16	41 5/16	41 3/16
222	19 5/8	32 1/8	41 3/4	31 7/16	27 1/8	45 7/8	45 11/16
245	20 7/8	34 3/8	46 7/16	34 11/16	29 3/8	52 1/16	50 7/16
270	22 1/8	36 15/16	51 7/16	38 3/16	31 15/16	57 1/4	55 9/16
300	24 3/4	40 5/8	57 5/8	42 7/16	35 5/8	63 7/16	61 3/4
330	26 1/4	43 5/8	63 7/8	46 5/8	38 5/8	69 5/8	68
365	29	47 5/8	71 3/16	51 9/16	42 1/8	77 1/16	75 1/8
402	31 7/8	51 5/16	78 3/4	56 3/4	45 13/16	84 11/16	82 3/4
445	34 3/8	56 5/16	87 5/8	62 13/16	50 13/16	93 1/2	91 5/8
490	38 1/2	63 3/4	96 7/8	69 1/8	56 1/4	104 1/4	100 7/8
542	41 7/16	69 5/8	107 5/8	76 7/16	62 1/8	115	111 9/16
600	46 1/2	76 3/16	119 9/16	84 9/16	67 3/16	126 15/16	123 1/2

All dimensions are in inches

# DIMENSIONAL DATA-ARRANGEMENT 9



Size	A	B	C	D	E	G	H	L
122	12 11/16	20 13/16	21 1/2	17 7/8	25 1-16	16 13/16	25 1/4	25 1/8
135	14	22 1/8	24 3/16	19 3/4	26 3/4	18 1/8	28	27 13/16
150	14 3/4	23 11/16	27 1/4	21 7/8	28 3/16	19 11/16	31 1/16	30 7/8
165	15 5/16	24 3/4	30 3/8	23 3/8	29 13/16	20 3/4	34 1/8	33 15/16
182	16 3/16	26 1/2	33 7/8	25 13/16	31 13/16	22 1/2	37 5/8	37 7/16
200	17 1/16	28 5/16	37 9/16	28 3/8	33 11/16	24 5/16	41 5/16	41 3/16
222	19 5/8	32 1/8	42 1/16	31 7/16	35 5/8	27 1/8	45 7/8	45 11/16
245	20 7/8	34 7/16	46 13/16	34 11/16	38 7/8	29 7/16	52 1/16	50 7/16
270	22 1/8	36 15/16	51 15/16	38 3/16	41 3/8	31 15/16	57 1/4	55 9/16
300	24 3/4	40 5/8	58 1/8	42 7/16	43 13/16	35 5/8	63 7/16	61 3/4
330	26 1/4	43 5/8	64 3/8	46 5/8	46 5/8	38 5/8	69 5/8	68
365	29	47 5/8	71 1/2	51 9/16	52 3/16	42 1/8	77 1/16	75 1/8
402	31 7/8	51 1/8	79 1/8	56 3/4	55 13/16	45 13/16	84 11/16	82 3/4
445	34 5/16	55 5/16	88	62 13/16	59 9/16	50 13/16	93 1/2	91 5/8
490	38 1/2	63 3/4	97 1/4	69 1/8	62 3/4	56 1/4	104 1/4	100 7/8
542	41 7/16	69 5/8	107 15/16	76 7/16	67 3/8	62 1/8	115	111 9/16
600	46 1/2	76 3/8	119 7/8	84 9/16	71 7/16	67 3/16	126 15/16	123 1/2

All dimensions are in inches

# MXI 122 AIR PERFORMANCE

MAX RPM	
LEVEL 1	3024
LEVEL 2	4050

CFM	OV	0.5"SP		1"SP		2"SP		3"SP		4"SP		5"SP		6"SP		7"SP		8"SP	
		RPM	BHP	RPM	BHP	RPM	BHP	RPM	BHP	RPM	BHP	RPM	BHP	RPM	BHP	RPM	BHP	RPM	BHP
800	471	1011	0.11	-	-	-	-	-	-	-	-	-	-	-	-	-	-	-	-
1040	613	1077	0.14	1425	0.30	-	-	-	-	-	-	-	-	-	-	-	-	-	-
1280	754	1170	0.17	1469	0.34	-	-	-	-	-	-	-	-	-	-	-	-	-	-
1520	896	1275	0.21	1541	0.40	2018	0.85	-	-	-	-	-	-	-	-	-	-	-	-
1760	1037	1386	0.27	1635	0.47	2063	0.93	2467	1.53	-	-	-	-	-	-	-	-	-	-
2000	1178	1501	0.33	1735	0.55	2131	1.04	2483	1.60	-	-	-	-	-	-	-	-	-	-
2240	1320	1630	0.41	1844	0.64	2214	1.17	2550	1.76	2859	2.43	-	-	-	-	-	-	-	-
2480	1461	1768	0.52	1956	0.75	2309	1.31	2619	1.94	2915	2.62	3196	3.39	3488	4.32	-	-	-	-
2720	1603	1907	0.63	2070	0.88	2406	1.47	2703	2.13	2983	2.85	3244	3.60	3501	4.45	3769	5.46	-	-
2960	1744	2048	0.77	2188	1.02	2513	1.65	2797	2.34	3052	3.09	3312	3.88	3548	4.70	3782	5.62	4033	6.72
3200	1885	2191	0.93	2324	1.20	2623	1.85	2893	2.57	3144	3.35	3380	4.17	3616	5.04	3833	5.93	4046	6.90
3440	2027	2335	1.12	2461	1.40	2734	2.06	2995	2.82	3238	3.63	3462	4.49	3684	5.39	3901	6.32	-	-
3680	2168	2479	1.33	2600	1.62	2848	2.30	3103	3.09	3334	3.94	3555	4.83	3758	5.76	3969	6.73	-	-
3920	2310	2625	1.56	2740	1.88	2963	2.56	3213	3.39	3435	4.27	3650	5.19	3851	6.15	4039	7.16	-	-
4160	2451	2772	1.83	2881	2.16	3081	2.85	3324	3.71	3542	4.62	3746	5.58	3945	6.58	-	-	-	-
4400	2593	2919	2.12	3023	2.47	3215	3.19	3437	4.06	3651	5.00	3848	5.99	4041	7.03	-	-	-	-
4640	2734	3066	2.44	3167	2.81	3351	3.56	3552	4.44	3762	5.42	3956	6.44	-	-	-	-	-	-
4880	2875	3214	2.80	3311	3.19	3489	3.98	3667	4.84	3874	5.86	-	-	-	-	-	-	-	-
5120	3017	3363	3.20	3455	3.60	3628	4.42	3786	5.27	3987	6.33	-	-	-	-	-	-	-	-
5360	3158	3512	3.63	3601	4.05	3767	4.90	3921	5.79	-	-	-	-	-	-	-	-	-	-
5600	3300	3661	4.10	3747	4.54	3908	5.43	-	-	-	-	-	-	-	-	-	-	-	-
5840	3441	3811	4.61	3893	5.06	4049	5.99	-	-	-	-	-	-	-	-	-	-	-	-
6160	3630	4010	5.35	-	-	-	-	-	-	-	-	-	-	-	-	-	-	-	-

Performance certified is for installation type B – Free inlet, Ducted outlet. Power rating (BHP) does not include transmission losses. Performance ratings do not include the effects of appurtenances.

# MXI 135 AIR PERFORMANCE

MAX RPM	
LEVEL 1	2733
LEVEL 2	3498

CFM	OV	0.5"SP		1"SP		1.5"SP		2"SP		3"SP		4"SP		5"SP		6"SP		7.25"SP	
		RPM	BHP	RPM	BHP	RPM	BHP	RPM	BHP	RPM	BHP	RPM	BHP	RPM	BHP	RPM	BHP	RPM	BHP
1350	650	1002	0.18	1297	0.37	-	-	-	-	-	-	-	-	-	-	-	-	-	-
1615	777	1080	0.22	1345	0.42	1587	0.67	-	-	-	-	-	-	-	-	-	-	-	-
1880	905	1168	0.27	1408	0.49	1627	0.74	1833	1.04	-	-	-	-	-	-	-	-	-	-
2145	1033	1260	0.33	1486	0.57	1684	0.84	1873	1.13	2238	1.86	-	-	-	-	-	-	-	-
2410	1160	1355	0.40	1568	0.66	1756	0.95	1930	1.26	2249	1.93	-	-	-	-	-	-	-	-
2675	1288	1460	0.49	1658	0.76	1834	1.07	1996	1.40	2305	2.11	2593	2.94	-	-	-	-	-	-
2940	1415	1573	0.59	1749	0.88	1917	1.20	2074	1.55	2361	2.30	2630	3.12	2897	4.08	-	-	-	-
3205	1543	1688	0.72	1843	1.01	2006	1.36	2153	1.72	2424	2.51	2686	3.36	2923	4.26	3173	5.35	-	-
3470	1670	1803	0.86	1939	1.16	2097	1.52	2238	1.91	2501	2.73	2742	3.62	2979	4.56	3194	5.55	3485	7.07
3735	1798	1921	1.03	2044	1.34	2190	1.71	2328	2.11	2580	2.98	2809	3.90	3035	4.88	3249	5.91	3496	7.25
4000	1926	2039	1.22	2157	1.54	2284	1.92	2419	2.34	2659	3.23	2886	4.20	3092	5.22	3305	6.28	-	-
4265	2053	2158	1.43	2271	1.78	2380	2.14	2512	2.59	2747	3.52	2964	4.52	3167	5.58	3362	6.68	-	-
4530	2181	2277	1.67	2385	2.03	2485	2.41	2606	2.86	2836	3.83	3044	4.86	3244	5.95	3428	7.09	-	-
4795	2308	2398	1.93	2501	2.31	2597	2.71	2701	3.15	2927	4.16	3128	5.23	3322	6.36	-	-	-	-
5060	2436	2518	2.22	2618	2.63	2711	3.04	2798	3.46	3019	4.52	3217	5.63	3402	6.79	-	-	-	-
5325	2563	2640	2.55	2735	2.97	2825	3.40	2909	3.84	3112	4.90	3307	6.05	3485	7.24	-	-	-	-
5590	2691	2761	2.90	2853	3.34	2940	3.80	3022	4.26	3206	5.31	3398	6.50	-	-	-	-	-	-
5855	2818	2884	3.29	2972	3.75	3056	4.22	3135	4.70	3302	5.75	3490	6.98	-	-	-	-	-	-
6120	2946	3006	3.72	3091	4.20	3172	4.68	3249	5.18	3398	6.22	-	-	-	-	-	-	-	-
6385	3074	3129	4.18	3211	4.68	3289	5.18	3364	5.70	-	-	-	-	-	-	-	-	-	-
6650	3201	3252	4.68	3331	5.19	3407	5.72	3480	6.26	-	-	-	-	-	-	-	-	-	-
6915	3329	3375	5.21	3452	5.75	-	-	-	-	-	-	-	-	-	-	-	-	-	-
7180	3456	3498	5.79	3573	-	-	-	-	-	-	-	-	-	-	-	-	-	-	-

Performance certified is for installation type B – Free inlet, Ducted outlet. Power rating (BHP) does not include transmission losses. Performance ratings do not include the effects of appurtenances.

# MXI 150 AIR PERFORMANCE

MAX RPM	
LEVEL 1	2460
LEVEL 2	3230

CFM	OV	0.5"SP		1"SP		2"SP		3"SP		4"SP		5"SP		6"SP		7"SP		7.5"SP	
		RPM	BHP	RPM	BHP	RPM	BHP	RPM	BHP	RPM	BHP	RPM	BHP	RPM	BHP	RPM	BHP	RPM	BHP
1400	546	855	0.18	-	-	-	-	-	-	-	-	-	-	-	-	-	-	-	-
1750	683	919	0.23	1174	0.47	-	-	-	-	-	-	-	-	-	-	-	-	-	-
2100	819	997	0.29	1227	0.55	-	-	-	-	-	-	-	-	-	-	-	-	-	-
2450	956	1084	0.36	1295	0.64	1656	1.31	-	-	-	-	-	-	-	-	-	-	-	-
2800	1092	1174	0.44	1371	0.75	1709	1.47	2019	2.34	-	-	-	-	-	-	-	-	-	-
3150	1229	1267	0.54	1454	0.88	1765	1.64	2051	2.50	2329	3.56	-	-	-	-	-	-	-	-
3500	1365	1375	0.68	1542	1.03	1839	1.84	2105	2.75	2347	3.73	2603	4.97	-	-	-	-	-	-
3850	1502	1485	0.83	1631	1.19	1914	2.05	2160	3.01	2401	4.05	2615	5.15	2852	6.54	-	-	-	-
4200	1638	1596	1.02	1723	1.38	1994	2.29	2233	3.30	2455	4.39	2668	5.54	2863	6.75	3082	8.27	-	-
4550	1775	1709	1.23	1821	1.60	2080	2.56	2308	3.61	2516	4.75	2722	5.95	2915	7.21	3093	8.51	3196	9.32
4900	1911	1822	1.47	1929	1.87	2168	2.86	2385	3.96	2589	5.14	2777	6.39	2969	7.70	3146	9.06	3230	9.75
5250	2048	1937	1.75	2039	2.18	2257	3.18	2468	4.33	2665	5.56	2847	6.86	3023	8.22	3200	9.63	-	-
5600	2184	2052	2.07	2149	2.51	2347	3.53	2554	4.74	2741	6.01	2921	7.36	3087	8.77	-	-	-	-
5950	2321	2168	2.42	2261	2.89	2439	3.92	2642	5.18	2823	6.50	2997	7.90	3161	9.36	-	-	-	-
6300	2457	2284	2.81	2373	3.31	2534	4.35	2731	5.66	2908	7.03	3073	8.47	-	-	-	-	-	-
6650	2594	2401	3.24	2486	3.77	2642	4.86	2821	6.17	2995	7.59	3155	9.08	-	-	-	-	-	-
7000	2730	2518	3.72	2600	4.28	2750	5.41	2912	6.72	3083	8.20	-	-	-	-	-	-	-	-
7350	2867	2636	4.25	2715	4.83	2860	6.02	3004	7.31	3172	8.84	-	-	-	-	-	-	-	-
7700	3003	2754	4.83	2830	5.44	2970	6.68	3099	7.96	-	-	-	-	-	-	-	-	-	-
8050	3140	2872	5.46	2945	6.09	3081	7.38	3206	8.71	-	-	-	-	-	-	-	-	-	-
8400	3276	2991	6.15	3061	6.81	3192	8.14	-	-	-	-	-	-	-	-	-	-	-	-
8750	3413	3110	6.90	3177	7.57	-	-	-	-	-	-	-	-	-	-	-	-	-	-
9100	3549	3229	7.70	-	-	-	-	-	-	-	-	-	-	-	-	-	-	-	-

Performance certified is for installation type B – Free inlet, Ducted outlet. Power rating (BHP) does not include transmission losses. Performance ratings do not include the effects of appurtenances.

# MXI 165 AIR PERFORMANCE

MAX RPM	
LEVEL 1	2220
LEVEL 2	2813

CFM	OV	0.5"SP		1"SP		1.5"SP		2"SP		3"SP		4"SP		5"SP		6"SP		7.5"SP	
		RPM	BHP	RPM	BHP	RPM	BHP	RPM	BHP	RPM	BHP	RPM	BHP	RPM	BHP	RPM	BHP	RPM	BHP
2150	700	805	0.23	1027	0.48	-	-	-	-	-	-	-	-	-	-	-	-	-	-
2520	821	865	0.29	1066	0.54	-	-	-	-	-	-	-	-	-	-	-	-	-	-
2890	941	928	0.35	1117	0.63	1283	0.95	-	-	-	-	-	-	-	-	-	-	-	-
3260	1062	1006	0.43	1172	0.72	1329	1.05	1474	1.43	-	-	-	-	-	-	-	-	-	-
3630	1182	1085	0.53	1234	0.83	1381	1.18	1516	1.57	1771	2.46	-	-	-	-	-	-	-	-
4000	1303	1166	0.65	1297	0.96	1437	1.32	1567	1.73	1806	2.63	-	-	-	-	-	-	-	-
4370	1423	1249	0.78	1372	1.11	1498	1.49	1620	1.91	1846	2.83	2062	3.90	-	-	-	-	-	-
4740	1544	1335	0.94	1450	1.29	1561	1.67	1679	2.11	1897	3.06	2097	4.13	2291	5.34	-	-	-	-
5110	1664	1421	1.11	1530	1.49	1630	1.88	1741	2.33	1949	3.32	2141	4.41	2326	5.62	-	-	-	-
5480	1785	1509	1.31	1611	1.71	1707	2.13	1804	2.58	2003	3.60	2192	4.73	2362	5.92	2537	7.28	-	-
5850	1906	1597	1.53	1693	1.97	1786	2.40	1871	2.86	2064	3.91	2244	5.07	2412	6.30	2573	7.64	2810	9.86
6220	2026	1686	1.79	1775	2.24	1865	2.70	1948	3.18	2126	4.25	2296	5.42	2463	6.70	2617	8.05	-	-
6590	2147	1775	2.06	1861	2.54	1946	3.03	2027	3.53	2188	4.61	2356	5.83	2515	7.13	2667	8.51	-	-
6960	2267	1865	2.38	1947	2.88	2027	3.39	2106	3.92	2252	5.01	2417	6.27	2568	7.59	2719	9.02	-	-
7330	2388	1955	2.72	2034	3.24	2110	3.79	2186	4.33	2326	5.46	2479	6.73	2628	8.10	2771	9.54	-	-
7700	2508	2045	3.09	2122	3.65	2193	4.21	2267	4.78	2404	5.96	2542	7.23	2689	8.64	-	-	-	-
8070	2629	2136	3.50	2210	4.08	2279	4.67	2348	5.27	2482	6.49	2606	7.76	2751	9.21	-	-	-	-
8440	2749	2227	3.95	2298	4.55	2365	5.17	2431	5.80	2561	7.06	2681	8.36	2813	9.81	-	-	-	-
8810	2870	2319	4.44	2387	5.06	2452	5.71	2514	6.36	2641	7.67	2758	9.01	-	-	-	-	-	-
9180	2990	2410	4.96	2476	5.62	2539	6.28	2599	6.96	2721	8.32	-	-	-	-	-	-	-	-
9550	3111	2502	5.54	2566	6.21	2627	6.90	2685	7.60	2803	9.02	-	-	-	-	-	-	-	-
9920	3231	2594	6.15	2656	6.85	2715	7.56	2772	8.29	-	-	-	-	-	-	-	-	-	-
10660	3472	2778	7.51	-	-	-	-	-	-	-	-	-	-	-	-	-	-	-	-

Performance certified is for installation type B – Free inlet, Ducted outlet. Power rating (BHP) does not include transmission losses. Performance ratings do not include the effects of appurtenances.



# MXI 182 AIR PERFORMANCE

MAX RPM	
LEVEL 1	2027
LEVEL 2	2620

CFM	OV	0.5"SP		1"SP		2"SP		3"SP		4"SP		5"SP		6"SP		7"SP		8"SP	
		RPM	BHP	RPM	BHP	RPM	BHP	RPM	BHP	RPM	BHP	RPM	BHP	RPM	BHP	RPM	BHP	RPM	BHP
3400	953	821	0.40	996	0.73	-	-	-	-	-	-	-	-	-	-	-	-	-	-
3755	1053	873	0.48	1033	0.82	1316	1.68	-	-	-	-	-	-	-	-	-	-	-	-
4110	1153	929	0.56	1075	0.92	1341	1.79	-	-	-	-	-	-	-	-	-	-	-	-
4465	1252	985	0.66	1118	1.02	1373	1.92	1603	3.03	-	-	-	-	-	-	-	-	-	-
4820	1352	1043	0.77	1163	1.14	1409	2.08	1628	3.19	-	-	-	-	-	-	-	-	-	-
5175	1451	1101	0.89	1214	1.29	1446	2.24	1653	3.36	1852	4.67	-	-	-	-	-	-	-	-
5530	1551	1160	1.03	1269	1.45	1486	2.43	1688	3.57	1877	4.89	-	-	-	-	-	-	-	-
5885	1650	1221	1.18	1325	1.62	1529	2.63	1724	3.81	1902	5.11	2077	6.59	-	-	-	-	-	-
6240	1750	1283	1.35	1381	1.81	1572	2.85	1761	4.05	1934	5.38	2102	6.87	-	-	-	-	-	-
6595	1849	1345	1.54	1439	2.03	1617	3.08	1798	4.31	1970	5.68	2128	7.16	2286	8.81	-	-	-	-
6950	1949	1407	1.75	1496	2.26	1662	3.33	1841	4.61	2007	6.00	2160	7.49	2311	9.14	2457	10.91	-	-
7305	2048	1470	1.97	1555	2.51	1715	3.62	1884	4.92	2044	6.34	2196	7.87	2337	9.49	2482	11.29	2618	13.18
7660	2148	1533	2.22	1614	2.78	1769	3.93	1928	5.25	2082	6.69	2232	8.26	2371	9.91	2507	11.68	-	-
8015	2248	1596	2.49	1674	3.07	1825	4.27	1972	5.59	2124	7.08	2269	8.67	2407	10.36	2535	12.11	-	-
8370	2347	1660	2.78	1736	3.39	1881	4.64	2017	5.96	2168	7.50	2307	9.11	2443	10.83	2570	12.62	-	-
8725	2447	1724	3.10	1797	3.72	1938	5.03	2066	6.37	2211	7.92	2347	9.57	2480	11.32	2607	13.16	-	-
9080	2546	1788	3.43	1859	4.09	1994	5.43	2120	6.82	2256	8.39	2390	10.07	2517	11.83	-	-	-	-
9435	2646	1852	3.80	1921	4.48	2052	5.87	2175	7.30	2300	8.86	2433	10.59	2556	12.37	-	-	-	-
9790	2745	1916	4.19	1983	4.89	2110	6.34	2231	7.81	2345	9.36	2477	11.14	2599	12.97	-	-	-	-
10500	2944	2046	5.06	2109	5.81	2227	7.35	2343	8.91	2451	10.54	2566	12.31	-	-	-	-	-	-
11210	3144	2175	6.04	2235	6.84	2347	8.48	2457	10.14	2561	11.84	-	-	-	-	-	-	-	-
11920	3343	2306	7.16	2362	8.00	2469	9.73	2572	11.49	-	-	-	-	-	-	-	-	-	-
12630	3542	2436	8.41	2490	9.30	2592	11.12	-	-	-	-	-	-	-	-	-	-	-	-

Performance certified is for installation type B – Free inlet, Ducted outlet. Power rating (BHP) does not include transmission losses. Performance ratings do not include the effects of appurtenances.

# MXI 200 AIR PERFORMANCE

MAX RPM	
LEVEL 1	1840
LEVEL 2	2335

CFM	OV	0.5"SP		1"SP		2"SP		3"SP		4"SP		5"SP		6"SP		7"SP		7.625"SP	
		RPM	BHP	RPM	BHP	RPM	BHP	RPM	BHP	RPM	BHP	RPM	BHP	RPM	BHP	RPM	BHP	RPM	BHP
4200	975	761	0.51	918	0.91	-	-	-	-	-	-	-	-	-	-	-	-	-	-
4540	1054	800	0.58	945	0.99	1203	2.03	-	-	-	-	-	-	-	-	-	-	-	-
4880	1133	841	0.66	975	1.08	1221	2.13	-	-	-	-	-	-	-	-	-	-	-	-
5220	1212	882	0.75	1007	1.18	1242	2.25	-	-	-	-	-	-	-	-	-	-	-	-
5560	1291	923	0.85	1039	1.29	1268	2.39	1473	3.72	-	-	-	-	-	-	-	-	-	-
5900	1370	965	0.96	1072	1.41	1295	2.55	1491	3.88	-	-	-	-	-	-	-	-	-	-
6240	1449	1008	1.08	1111	1.56	1322	2.71	1510	4.05	1691	5.62	-	-	-	-	-	-	-	-
6580	1528	1051	1.21	1151	1.71	1350	2.88	1535	4.25	1709	5.82	-	-	-	-	-	-	-	-
6920	1607	1095	1.35	1191	1.87	1381	3.07	1562	4.48	1728	6.05	1888	7.81	-	-	-	-	-	-
7260	1686	1140	1.51	1232	2.05	1413	3.28	1588	4.70	1747	6.27	1906	8.07	-	-	-	-	-	-
7600	1765	1185	1.68	1273	2.24	1445	3.49	1615	4.94	1773	6.55	1924	8.33	2069	10.29	-	-	-	-
7940	1844	1230	1.86	1315	2.45	1477	3.71	1643	5.20	1800	6.85	1943	8.61	2087	10.59	-	-	-	-
8280	1923	1275	2.06	1357	2.67	1510	3.95	1674	5.48	1826	7.15	1966	8.93	2105	10.91	2239	13.04	-	-
8620	2002	1321	2.27	1399	2.90	1547	4.22	1705	5.77	1853	7.46	1992	9.29	2124	11.24	2257	13.40	2335	14.79
8960	2081	1367	2.50	1442	3.15	1586	4.51	1737	6.08	1880	7.79	2018	9.65	2145	11.60	2275	13.77	-	-
9300	2159	1412	2.74	1486	3.42	1627	4.82	1769	6.40	1909	8.14	2045	10.04	2171	12.02	2293	14.14	-	-
9640	2238	1459	3.00	1530	3.70	1667	5.15	1801	6.73	1940	8.52	2072	10.43	2197	12.45	2314	14.56	-	-
9980	2317	1505	3.28	1574	4.00	1708	5.49	1834	7.09	1971	8.91	2099	10.84	2224	12.91	-	-	-	-
10660	2475	1598	3.89	1664	4.66	1790	6.24	1906	7.88	2035	9.75	2158	11.74	2278	13.87	-	-	-	-
11340	2633	1691	4.57	1754	5.39	1873	7.06	1986	8.78	2100	10.66	2221	12.73	2333	14.87	-	-	-	-
12020	2791	1785	5.34	1845	6.20	1958	7.97	2067	9.77	2167	11.64	2285	13.79	-	-	-	-	-	-
12700	2949	1879	6.19	1936	7.09	2043	8.96	2149	10.85	2247	12.81	-	-	-	-	-	-	-	-
13380	3107	1974	7.14	2028	8.08	2130	10.04	2232	12.03	2327	14.06	-	-	-	-	-	-	-	-

Performance certified is for installation type B – Free inlet, Ducted outlet. Power rating (BHP) does not include transmission losses. Performance ratings do not include the effects of appurtenances.

# MXI 222 AIR PERFORMANCE

MAX RPM	
LEVEL 1	1662
LEVEL 2	2150

CFM	OV	0.5"SP		1"SP		2"SP		3"SP		4"SP		5"SP		6"SP		7"SP		8"SP	
		RPM	BHP	RPM	BHP	RPM	BHP	RPM	BHP	RPM	BHP	RPM	BHP	RPM	BHP	RPM	BHP	RPM	BHP
4750	895	653	0.55	800	1.03	-	-	-	-	-	-	-	-	-	-	-	-	-	-
5200	980	684	0.63	825	1.12	-	-	-	-	-	-	-	-	-	-	-	-	-	-
5650	1065	722	0.72	851	1.23	1082	2.52	-	-	-	-	-	-	-	-	-	-	-	-
6100	1150	761	0.83	881	1.36	1100	2.66	-	-	-	-	-	-	-	-	-	-	-	-
6550	1234	800	0.95	911	1.49	1121	2.82	1311	4.45	-	-	-	-	-	-	-	-	-	-
7000	1319	840	1.09	943	1.65	1147	3.02	1329	4.66	-	-	-	-	-	-	-	-	-	-
7450	1404	881	1.24	975	1.81	1172	3.22	1346	4.87	-	-	-	-	-	-	-	-	-	-
7900	1489	922	1.40	1013	2.00	1198	3.44	1367	5.12	1527	7.06	-	-	-	-	-	-	-	-
8350	1574	964	1.58	1052	2.21	1227	3.68	1392	5.40	1545	7.35	1689	9.52	-	-	-	-	-	-
8800	1659	1007	1.78	1091	2.44	1257	3.94	1417	5.69	1562	7.63	1706	9.85	-	-	-	-	-	-
9250	1743	1050	2.00	1131	2.69	1288	4.22	1443	6.01	1585	7.97	1724	10.20	1854	12.60	-	-	-	-
9700	1828	1093	2.23	1171	2.95	1319	4.51	1469	6.33	1610	8.35	1741	10.55	1871	12.99	-	-	-	-
10600	1998	1180	2.76	1252	3.55	1384	5.16	1528	7.08	1662	9.18	1787	11.42	1906	13.84	2026	16.51	2137	19.28
11500	2167	1269	3.39	1334	4.22	1461	5.95	1589	7.91	1715	10.06	1838	12.42	1951	14.87	2061	17.50	-	-
12400	2337	1357	4.09	1420	5.00	1539	6.84	1652	8.83	1775	11.09	1889	13.47	2002	16.05	2106	18.70	-	-
13300	2507	1447	4.91	1506	5.87	1618	7.84	1722	9.88	1837	12.22	1947	14.68	2053	17.29	-	-	-	-
14200	2676	1537	5.84	1593	6.86	1699	8.95	1799	11.10	1899	13.42	2008	16.02	2108	18.68	-	-	-	-
15100	2846	1627	6.88	1680	7.95	1780	10.18	1878	12.45	1967	14.78	2069	17.43	-	-	-	-	-	-
16000	3016	1717	8.04	1768	9.18	1862	11.52	1957	13.92	2044	16.37	2132	18.98	-	-	-	-	-	-
16900	3185	1808	9.34	1857	10.54	1947	13.00	2037	15.52	2121	18.06	-	-	-	-	-	-	-	-
17800	3355	1899	10.77	1946	12.04	2033	14.62	2117	17.24	-	-	-	-	-	-	-	-	-	-
18700	3524	1991	12.37	2035	13.68	2119	16.38	-	-	-	-	-	-	-	-	-	-	-	-
19600	3694	2082	14.09	2125	15.48	-	-	-	-	-	-	-	-	-	-	-	-	-	-

Performance certified is for installation type B – Free inlet, Ducted outlet. Power rating (BHP) does not include transmission losses. Performance ratings do not include the effects of appurtenances.

# MXI 245 AIR PERFORMANCE

MAX RPM	
LEVEL 1	1440
LEVEL 2	1950

CFM	OV	0.5"SP		1"SP		2"SP		3"SP		4"SP		5"SP		6"SP		7"SP		7.875"SP	
		RPM	BHP	RPM	BHP	RPM	BHP	RPM	BHP	RPM	BHP	RPM	BHP	RPM	BHP	RPM	BHP	RPM	BHP
5500	851	579	0.62	715	1.19	-	-	-	-	-	-	-	-	-	-	-	-	-	-
6005	929	605	0.70	737	1.30	-	-	-	-	-	-	-	-	-	-	-	-	-	-
6510	1007	634	0.80	758	1.41	-	-	-	-	-	-	-	-	-	-	-	-	-	-
7015	1086	666	0.91	781	1.54	988	3.11	-	-	-	-	-	-	-	-	-	-	-	-
7520	1164	699	1.04	806	1.68	1003	3.27	-	-	-	-	-	-	-	-	-	-	-	-
8025	1242	732	1.18	832	1.84	1022	3.46	-	-	-	-	-	-	-	-	-	-	-	-
8530	1320	766	1.33	858	2.01	1043	3.68	1208	5.67	-	-	-	-	-	-	-	-	-	-
9035	1398	800	1.50	886	2.19	1065	3.91	1223	5.91	-	-	-	-	-	-	-	-	-	-
9540	1476	835	1.69	918	2.41	1087	4.15	1240	6.18	1386	8.55	-	-	-	-	-	-	-	-
10550	1633	906	2.11	983	2.89	1136	4.71	1282	6.82	1415	9.17	-	-	-	-	-	-	-	-
11560	1789	978	2.60	1050	3.46	1188	5.34	1325	7.52	1454	9.96	1575	12.62	-	-	-	-	-	-
12570	1945	1051	3.17	1118	4.10	1240	6.03	1374	8.35	1497	10.86	1611	13.55	1723	16.51	-	-	-	-
13580	2102	1125	3.83	1186	4.83	1304	6.89	1425	9.25	1541	11.83	1653	14.63	1757	17.58	1861	20.81	1950	23.83
14590	2258	1200	4.60	1258	5.67	1369	7.85	1477	10.24	1590	12.93	1697	15.81	1799	18.86	1894	22.03	-	-
15600	2414	1275	5.46	1330	6.60	1435	8.91	1531	11.33	1641	14.14	1742	17.07	1842	20.23	1936	23.51	-	-
16610	2571	1350	6.43	1402	7.62	1502	10.09	1595	12.62	1693	15.44	1792	18.48	1886	21.69	-	-	-	-
17620	2727	1426	7.53	1476	8.79	1570	11.38	1660	14.04	1746	16.85	1844	20.04	1935	23.34	-	-	-	-
18630	2883	1502	8.75	1549	10.06	1639	12.82	1726	15.59	1807	18.48	1896	21.68	-	-	-	-	-	-
19640	3039	1578	10.09	1624	11.49	1708	14.36	1793	17.28	1872	20.29	1949	23.44	-	-	-	-	-	-
20650	3196	1654	11.56	1698	13.03	1780	16.05	1860	19.09	1937	22.23	-	-	-	-	-	-	-	-
21660	3352	1731	13.20	1773	14.73	1852	17.88	1928	21.07	-	-	-	-	-	-	-	-	-	-
22670	3508	1808	14.99	1848	16.58	1924	19.85	-	-	-	-	-	-	-	-	-	-	-	-
23680	3665	1885	16.93	1924	18.60	-	-	-	-	-	-	-	-	-	-	-	-	-	-

Performance certified is for installation type B – Free inlet, Ducted outlet. Power rating (BHP) does not include transmission losses. Performance ratings do not include the effects of appurtenances.

# MXI 270 AIR PERFORMANCE

MAX RPM	
LEVEL 1	1275
LEVEL 2	1680

CFM	OV	0.5"SP		1"SP		1.5"SP		2"SP		3"SP		4"SP		5"SP		6"SP		7"SP	
		RPM	BHP	RPM	BHP	RPM	BHP	RPM	BHP	RPM	BHP	RPM	BHP	RPM	BHP	RPM	BHP	RPM	BHP
8000	1020	580	0.99	691	1.74	790	2.60	885	3.61	-	-	-	-	-	-	-	-	-	-
8500	1083	604	1.11	708	1.86	805	2.75	896	3.76	-	-	-	-	-	-	-	-	-	-
9000	1147	628	1.23	727	2.01	821	2.91	907	3.92	-	-	-	-	-	-	-	-	-	-
9500	1211	652	1.36	746	2.16	837	3.09	920	4.10	-	-	-	-	-	-	-	-	-	-
10000	1274	677	1.50	765	2.32	853	3.26	935	4.31	1088	6.72	-	-	-	-	-	-	-	-
11000	1402	727	1.83	805	2.67	889	3.67	967	4.76	1110	7.19	-	-	-	-	-	-	-	-
12000	1529	779	2.21	853	3.12	927	4.13	1000	5.25	1138	7.76	1266	10.62	-	-	-	-	-	-
13000	1657	832	2.64	901	3.61	966	4.64	1038	5.83	1169	8.41	1288	11.25	1407	14.54	-	-	-	-
14000	1784	886	3.14	951	4.18	1011	5.25	1076	6.45	1201	9.11	1318	12.06	1429	15.32	1536	18.89	-	-
15000	1912	940	3.70	1001	4.80	1059	5.94	1115	7.14	1236	9.89	1350	12.95	1453	16.17	1558	19.82	1656	23.65
16000	2039	994	4.32	1051	5.49	1108	6.70	1159	7.92	1274	10.78	1382	13.88	1485	17.24	1580	20.78	1678	24.74
17000	2166	1049	5.03	1103	6.27	1157	7.53	1207	8.83	1312	11.71	1416	14.90	1516	18.33	1610	21.98	-	-
18000	2294	1104	5.81	1156	7.12	1207	8.46	1256	9.82	1351	12.72	1453	16.02	1549	19.54	1641	23.26	-	-
19000	2421	1160	6.69	1209	8.05	1257	9.45	1305	10.89	1392	13.83	1491	17.23	1583	20.82	1673	24.63	-	-
20000	2549	1215	7.63	1263	9.08	1308	10.55	1354	12.03	1439	15.10	1530	18.54	1620	22.21	-	-	-	-
21000	2676	1271	8.68	1317	10.19	1360	11.73	1404	13.28	1487	16.47	1568	19.87	1658	23.72	-	-	-	-
22000	2804	1327	9.83	1372	11.42	1413	13.01	1455	14.65	1536	17.97	1610	21.38	-	-	-	-	-	-
23000	2931	1384	11.10	1426	12.72	1467	14.42	1506	16.12	1585	19.55	1657	23.07	-	-	-	-	-	-
24000	3059	1440	12.45	1481	14.15	1520	15.89	1558	17.68	1634	21.23	-	-	-	-	-	-	-	-
25000	3186	1497	13.94	1536	15.69	1574	17.49	1611	19.36	-	-	-	-	-	-	-	-	-	-
26000	3313	1553	15.51	1592	17.36	1629	19.24	1664	21.14	-	-	-	-	-	-	-	-	-	-
27000	3441	1610	17.23	1647	19.13	-	-	-	-	-	-	-	-	-	-	-	-	-	-
28000	3568	1667	19.07	-	-	-	-	-	-	-	-	-	-	-	-	-	-	-	-

Performance certified is for installation type B – Free inlet, Ducted outlet. Power rating (BHP) does not include transmission losses. Performance ratings do not include the effects of appurtenances.

# MXI 300 AIR PERFORMANCE

MAX RPM	
LEVEL 1	1150
LEVEL 2	1498

CFM	OV	0.5"SP		1"SP		1.25"SP		1.5"SP		2"SP		2.5"SP		3"SP		3.5"SP		4"SP	
		RPM	BHP	RPM	BHP	RPM	BHP	RPM	BHP	RPM	BHP	RPM	BHP	RPM	BHP	RPM	BHP	RPM	BHP
8000	826	466	0.89	579	1.73	-	-	-	-	-	-	-	-	-	-	-	-	-	-
8625	890	484	1.00	593	1.86	691	2.91	-	-	-	-	-	-	-	-	-	-	-	-
9250	955	501	1.10	607	1.99	701	3.06	-	-	-	-	-	-	-	-	-	-	-	-
9875	1019	522	1.23	622	2.14	711	3.21	796	4.45	-	-	-	-	-	-	-	-	-	-
11125	1148	566	1.52	654	2.47	739	3.60	816	4.84	-	-	-	-	-	-	-	-	-	-
12375	1277	611	1.87	689	2.87	768	4.03	842	5.32	980	8.32	-	-	-	-	-	-	-	-
13625	1406	656	2.27	726	3.32	801	4.55	871	5.89	1000	8.90	-	-	-	-	-	-	-	-
14875	1535	703	2.75	770	3.88	836	5.13	902	6.52	1025	9.61	1141	13.17	-	-	-	-	-	-
16125	1664	752	3.30	814	4.50	872	5.78	936	7.24	1054	10.44	1161	13.96	1267	17.98	-	-	-	-
17375	1793	801	3.92	859	5.21	913	6.54	971	8.03	1083	11.31	1188	14.96	1287	18.96	1384	23.41	-	-
18625	1922	850	4.63	905	6.01	957	7.41	1007	8.90	1116	12.33	1217	16.06	1310	20.06	1404	24.57	1492	29.31
19875	2051	900	5.43	951	6.89	1001	8.36	1048	9.91	1150	13.41	1247	17.27	1339	21.41	1424	25.77	-	-
21125	2180	950	6.32	998	7.86	1046	9.42	1091	11.02	1185	14.60	1278	18.54	1368	22.81	1452	27.31	-	-
22375	2309	1000	7.30	1046	8.92	1092	10.59	1136	12.28	1220	15.86	1312	19.96	1397	24.28	1481	28.96	-	-
23625	2438	1051	8.41	1095	10.11	1138	11.86	1180	13.61	1258	17.26	1347	21.50	1429	25.92	-	-	-	-
24875	2567	1101	9.61	1144	11.40	1184	13.24	1226	15.10	1302	18.90	1382	23.12	1463	27.69	-	-	-	-
26125	2696	1152	10.94	1193	12.81	1232	14.74	1271	16.66	1346	20.65	1417	24.82	1498	29.60	-	-	-	-
27375	2825	1203	12.40	1243	14.36	1280	16.35	1317	18.38	1390	22.51	1456	26.73	-	-	-	-	-	-
28625	2954	1255	14.01	1293	16.04	1329	18.12	1364	20.25	1435	24.53	-	-	-	-	-	-	-	-
29875	3083	1306	15.72	1343	17.85	1378	20.01	1411	22.20	1480	26.67	-	-	-	-	-	-	-	-
31125	3212	1358	17.61	1393	19.79	1427	22.04	1460	24.35	-	-	-	-	-	-	-	-	-	-
32375	3341	1409	19.60	1444	21.92	1477	24.25	-	-	-	-	-	-	-	-	-	-	-	-
33625	3470	1461	21.79	1494	24.15	-	-	-	-	-	-	-	-	-	-	-	-	-	-

Performance certified is for installation type B – Free inlet, Ducted outlet. Power rating (BHP) does not include transmission losses. Performance ratings do not include the effects of appurtenances.

# MXI 330 AIR PERFORMANCE

MAX RPM	
LEVEL 1	900
LEVEL 2	1406

CFM	OV	0.5"SP		1"SP		1.5"SP		2"SP		3"SP		4"SP		5"SP		6"SP		7.25"SP	
		RPM	BHP	RPM	BHP	RPM	BHP	RPM	BHP	RPM	BHP	RPM	BHP	RPM	BHP	RPM	BHP	RPM	BHP
11000	938	452	1.30	549	2.38	635	3.65	-	-	-	-	-	-	-	-	-	-	-	-
12400	1058	486	1.58	573	2.70	653	4.00	729	5.52	-	-	-	-	-	-	-	-	-	-
13800	1177	523	1.92	602	3.10	678	4.47	746	5.97	-	-	-	-	-	-	-	-	-	-
15200	1297	561	2.33	631	3.54	702	4.96	770	6.56	893	10.15	-	-	-	-	-	-	-	-
16600	1416	600	2.80	663	4.06	731	5.56	794	7.18	910	10.81	-	-	-	-	-	-	-	-
18000	1536	639	3.32	700	4.69	760	6.21	820	7.89	932	11.63	1037	15.92	-	-	-	-	-	-
19400	1655	680	3.94	737	5.39	790	6.93	849	8.70	956	12.54	1054	16.82	1151	21.70	-	-	-	-
20800	1774	721	4.62	775	6.17	824	7.76	878	9.57	981	13.54	1077	17.95	1168	22.81	1255	28.09	-	-
22200	1894	763	5.40	813	7.03	861	8.72	908	10.52	1007	14.60	1101	19.16	1186	23.98	1272	29.39	-	-
23600	2013	804	6.25	852	8.00	898	9.76	941	11.60	1036	15.82	1125	20.42	1210	25.45	1289	30.74	1389	38.17
25000	2133	846	7.21	891	9.05	936	10.92	977	12.81	1065	17.10	1150	21.80	1234	26.97	1310	32.31	1405	39.69
26400	2252	889	8.30	932	10.22	974	12.16	1014	14.15	1095	18.50	1179	23.38	1258	28.56	1334	34.09	-	-
27800	2372	931	9.46	972	11.46	1013	13.55	1052	15.62	1125	19.98	1208	25.04	1283	30.28	1359	36.02	-	-
29200	2491	974	10.76	1014	12.87	1052	15.03	1090	17.20	1160	21.68	1237	26.77	1312	32.25	1383	37.94	-	-
30600	2610	1017	12.17	1055	14.36	1091	16.62	1128	18.88	1197	23.57	1267	28.65	1340	34.22	-	-	-	-
32000	2730	1060	13.71	1097	16.00	1131	18.31	1166	20.67	1234	25.56	1297	30.62	1370	36.43	-	-	-	-
33400	2849	1103	15.37	1138	17.72	1172	20.18	1205	22.63	1271	27.66	1331	32.83	1399	38.65	-	-	-	-
34800	2969	1146	17.17	1180	19.62	1213	22.16	1244	24.72	1309	29.96	1368	35.30	-	-	-	-	-	-
36200	3088	1189	19.10	1222	21.65	1254	24.28	1285	27.00	1347	32.37	1404	37.82	-	-	-	-	-	-
37600	3208	1232	21.18	1265	23.87	1296	26.60	1325	29.33	1385	34.92	-	-	-	-	-	-	-	-
39000	3327	1276	23.46	1307	26.19	1337	29.00	1366	31.86	-	-	-	-	-	-	-	-	-	-
40400	3446	1319	25.84	1350	28.72	1379	31.61	-	-	-	-	-	-	-	-	-	-	-	-
41800	3566	1363	28.44	1393	31.41	-	-	-	-	-	-	-	-	-	-	-	-	-	-

Performance certified is for installation type B – Free inlet, Ducted outlet. Power rating (BHP) does not include transmission losses. Performance ratings do not include the effects of appurtenances.

# MXI 365 AIR PERFORMANCE

MAX RPM	
LEVEL 1	820
LEVEL 2	1281

CFM	OV	0.5"SP		1"SP		2"SP		3"SP		4"SP		5"SP		6"SP		7"SP		7.5"SP	
		RPM	BHP	RPM	BHP	RPM	BHP	RPM	BHP	RPM	BHP	RPM	BHP	RPM	BHP	RPM	BHP	RPM	BHP
14000	976	417	1.68	503	3.02	-	-	-	-	-	-	-	-	-	-	-	-	-	-
15750	1098	451	2.07	527	3.46	665	6.96	-	-	-	-	-	-	-	-	-	-	-	-
17500	1220	485	2.52	554	3.99	682	7.55	-	-	-	-	-	-	-	-	-	-	-	-
19250	1342	521	3.06	581	4.56	704	8.29	814	12.75	-	-	-	-	-	-	-	-	-	-
21000	1464	557	3.68	613	5.27	727	9.12	830	13.61	929	18.87	-	-	-	-	-	-	-	-
22750	1586	594	4.39	647	6.09	752	10.05	852	14.70	944	19.93	-	-	-	-	-	-	-	-
24500	1708	631	5.17	681	6.99	779	11.10	875	15.91	961	21.12	1047	27.11	-	-	-	-	-	-
26250	1830	670	6.10	717	8.04	806	12.22	897	17.13	984	22.65	1063	28.53	1142	35.12	-	-	-	-
28000	1952	708	7.11	752	9.16	834	13.46	923	18.57	1006	24.19	1082	30.13	1157	36.71	1230	43.83	-	-
29750	2074	747	8.26	788	10.42	867	14.92	950	20.14	1029	25.86	1105	32.07	1174	38.50	1246	45.79	1280	49.50
31500	2196	786	9.53	825	11.81	902	16.58	977	21.80	1054	27.71	1127	34.00	1196	40.68	1261	47.68	-	-
33250	2318	825	10.93	863	13.34	936	18.30	1005	23.62	1080	29.67	1150	36.10	1219	43.05	-	-	-	-
35000	2440	864	12.46	901	15.01	971	20.21	1035	25.62	1107	31.82	1175	38.41	1241	45.39	-	-	-	-
36750	2562	904	14.18	939	16.82	1006	22.25	1069	27.90	1135	34.15	1201	40.85	1264	47.93	-	-	-	-
38500	2684	943	16.01	977	18.77	1041	24.43	1103	30.33	1162	36.50	1228	43.49	-	-	-	-	-	-
40250	2806	983	18.04	1016	20.94	1077	26.82	1137	32.89	1192	39.17	1255	46.25	-	-	-	-	-	-
42000	2928	1023	20.24	1054	23.20	1113	29.38	1172	35.69	1225	42.09	-	-	-	-	-	-	-	-
43750	3050	1063	22.62	1093	25.69	1150	32.13	1207	38.66	1259	45.27	-	-	-	-	-	-	-	-
45500	3172	1103	25.18	1132	28.37	1187	34.99	1242	41.78	-	-	-	-	-	-	-	-	-	-
47250	3294	1143	27.93	1172	31.30	1225	38.12	1277	45.08	-	-	-	-	-	-	-	-	-	-
49000	3416	1183	30.88	1211	34.36	1263	41.44	-	-	-	-	-	-	-	-	-	-	-	-
50750	3538	1223	34.03	1250	37.61	-	-	-	-	-	-	-	-	-	-	-	-	-	-
52500	3660	1264	37.47	-	-	-	-	-	-	-	-	-	-	-	-	-	-	-	-

Performance certified is for installation type B – Free inlet, Ducted outlet. Power rating (BHP) does not include transmission losses. Performance ratings do not include the effects of appurtenances.

# MXI 402 AIR PERFORMANCE

MAX RPM	
LEVEL 1	750
LEVEL 2	1088

CFM	OV	0.5"SP		1"SP		1.5"SP		2"SP		3"SP		4"SP		5"SP		6"SP		6.5"SP	
		RPM	BHP	RPM	BHP	RPM	BHP	RPM	BHP	RPM	BHP	RPM	BHP	RPM	BHP	RPM	BHP	RPM	BHP
16000	920	366	1.87	446	3.44	518	5.35	-	-	-	-	-	-	-	-	-	-	-	-
18000	1035	392	2.25	466	3.92	532	5.84	595	8.08	-	-	-	-	-	-	-	-	-	-
20000	1150	421	2.72	487	4.44	550	6.45	608	8.70	-	-	-	-	-	-	-	-	-	-
22000	1265	451	3.28	510	5.06	570	7.17	625	9.47	729	14.87	-	-	-	-	-	-	-	-
24000	1380	481	3.91	534	5.77	591	7.95	644	10.35	742	15.79	-	-	-	-	-	-	-	-
26000	1495	512	4.65	562	6.60	614	8.85	664	11.33	757	16.83	845	23.19	-	-	-	-	-	-
28000	1610	544	5.48	591	7.55	637	9.83	686	12.42	776	18.11	858	24.43	938	31.63	-	-	-	-
30000	1725	576	6.40	621	8.63	662	10.94	709	13.63	795	19.46	874	25.90	951	33.15	-	-	-	-
32000	1840	609	7.46	651	9.81	691	12.25	732	14.92	815	20.95	893	27.61	964	34.71	1036	42.76	1070	46.96
34000	1955	641	8.60	681	11.10	720	13.67	756	16.36	837	22.58	912	29.38	981	36.62	1049	44.61	1083	48.93
36000	2070	674	9.90	712	12.55	750	15.26	784	18.01	860	24.37	931	31.24	1000	38.76	1063	46.61	-	-
38000	2185	707	11.32	743	14.09	779	16.91	813	19.83	883	26.26	952	33.32	1019	40.99	1082	49.12	-	-
40000	2300	741	12.93	775	15.80	810	18.82	842	21.78	906	28.25	975	35.64	1039	43.42	-	-	-	-
42000	2415	774	14.63	808	17.71	840	20.79	872	23.94	930	30.40	998	38.06	1059	45.91	-	-	-	-
44000	2530	808	16.55	840	19.70	871	22.98	902	26.24	959	32.97	1021	40.59	1082	48.77	-	-	-	-
46000	2645	842	18.62	873	21.91	902	25.29	932	28.69	988	35.69	1044	43.23	-	-	-	-	-	-
48000	2760	875	20.79	906	24.29	934	27.79	962	31.29	1017	38.55	1068	46.12	-	-	-	-	-	-
50000	2875	909	23.21	938	26.76	966	30.45	993	34.15	1047	41.69	-	-	-	-	-	-	-	-
52000	2990	943	25.81	972	29.58	998	33.29	1024	37.19	1076	44.87	-	-	-	-	-	-	-	-
54000	3105	977	28.60	1005	32.49	1031	36.41	1056	40.41	-	-	-	-	-	-	-	-	-	-
56000	3220	1012	31.68	1038	35.60	1063	39.61	1088	43.82	-	-	-	-	-	-	-	-	-	-
58000	3335	1046	34.88	1071	38.90	-	-	-	-	-	-	-	-	-	-	-	-	-	-
60000	3450	1080	38.29	-	-	-	-	-	-	-	-	-	-	-	-	-	-	-	-

Performance certified is for installation type B – Free inlet, Ducted outlet. Power rating (BHP) does not include transmission losses. Performance ratings do not include the effects of appurtenances.

# MXI 445 AIR PERFORMANCE

MAX RPM	
LEVEL 1	674
LEVEL 2	931

CFM	OV	0.5"SP		1"SP		1.25"SP		1.5"SP		2"SP		3"SP		4"SP		5"SP		6"SP	
		RPM	BHP	RPM	BHP	RPM	BHP	RPM	BHP	RPM	BHP	RPM	BHP	RPM	BHP	RPM	BHP	RPM	BHP
21750	1020	352	2.70	419	4.70	451	5.88	479	7.04	-	-	-	-	-	-	-	-	-	-
23770	1115	374	3.17	435	5.24	465	6.43	493	7.67	547	10.44	-	-	-	-	-	-	-	-
25790	1210	396	3.70	452	5.84	480	7.06	508	8.39	558	11.14	-	-	-	-	-	-	-	-
27810	1304	418	4.28	470	6.52	497	7.79	522	9.09	572	11.98	663	18.52	-	-	-	-	-	-
29830	1399	441	4.96	488	7.25	514	8.56	539	9.95	586	12.87	673	19.48	-	-	-	-	-	-
31850	1494	464	5.71	509	8.10	532	9.44	556	10.86	601	13.88	685	20.60	765	28.43	-	-	-	-
33870	1589	488	6.55	531	9.06	551	10.39	573	11.82	618	15.02	699	21.87	775	29.71	-	-	-	-
35890	1683	512	7.46	553	10.11	572	11.47	591	12.91	635	16.21	714	23.29	785	31.01	856	39.86	-	-
37910	1778	536	8.46	575	11.23	594	12.69	612	14.17	652	17.47	728	24.67	799	32.68	866	41.46	931	51.14
39930	1873	560	9.55	598	12.51	616	13.99	634	15.56	669	18.78	743	26.18	813	34.40	876	43.09	-	-
41950	1968	585	10.78	621	13.87	639	15.45	656	17.05	687	20.24	760	27.90	828	36.32	890	45.17	-	-
43970	2062	609	12.06	644	15.34	661	16.94	678	18.63	709	22.00	777	29.70	842	38.17	904	47.30	-	-
45990	2157	634	13.51	667	16.88	684	18.61	700	20.31	730	23.77	795	31.69	857	40.19	919	49.67	-	-
48010	2252	659	15.07	691	18.58	707	20.38	722	22.09	752	25.73	812	33.64	874	42.47	-	-	-	-
50030	2347	684	16.74	715	20.39	730	22.27	745	24.08	774	27.80	830	35.80	891	44.84	-	-	-	-
52050	2441	709	18.55	739	22.31	753	24.22	768	26.18	797	30.10	849	38.08	908	47.29	-	-	-	-
54070	2536	734	20.48	763	24.36	777	26.37	791	28.40	819	32.41	871	40.75	926	50.00	-	-	-	-
56090	2631	759	22.54	788	26.63	801	28.64	814	30.72	841	34.83	892	43.40	-	-	-	-	-	-
58110	2726	785	24.83	812	28.94	825	31.05	838	33.23	864	37.51	914	46.32	-	-	-	-	-	-
60130	2820	810	27.18	837	31.50	850	33.71	862	35.88	887	40.33	-	-	-	-	-	-	-	-
62150	2915	835	29.67	861	34.09	874	36.40	886	38.66	910	43.28	-	-	-	-	-	-	-	-
64170	3010	861	32.42	886	36.94	898	39.24	910	41.60	-	-	-	-	-	-	-	-	-	-
66190	3105	886	35.23	911	39.96	923	42.36	-	-	-	-	-	-	-	-	-	-	-	-

Performance certified is for installation type B – Free inlet, Ducted outlet. Power rating (BHP) does not include transmission losses. Performance ratings do not include the effects of appurtenances.

# MXI 490 AIR PERFORMANCE

MAX RPM	
LEVEL 1	619
LEVEL 2	784

CFM	OV	0.5"SP		1"SP		1.25"SP		1.5"SP		2"SP		2.5"SP		3"SP		4"SP		5.125"SP	
		RPM	BHP	RPM	BHP	RPM	BHP	RPM	BHP	RPM	BHP	RPM	BHP	RPM	BHP	RPM	BHP	RPM	BHP
24000	929	303	2.83	368	5.17	397	6.49	427	8.01	-	-	-	-	-	-	-	-	-	-
26400	1021	320	3.28	381	5.73	409	7.09	435	8.54	488	11.92	-	-	-	-	-	-	-	-
28800	1114	339	3.83	395	6.35	422	7.78	448	9.32	497	12.68	-	-	-	-	-	-	-	-
31200	1207	359	4.46	410	7.06	435	8.51	461	10.15	506	13.44	551	17.23	-	-	-	-	-	-
33600	1300	379	5.17	426	7.86	451	9.42	474	11.02	519	14.49	560	18.20	602	22.44	-	-	-	-
36000	1393	399	5.96	442	8.72	466	10.33	488	11.96	532	15.59	572	19.41	611	23.59	-	-	-	-
38400	1486	419	6.82	461	9.75	481	11.30	504	13.10	545	16.75	584	20.64	621	24.84	694	34.35	-	-
40800	1579	440	7.78	480	10.85	498	12.44	519	14.23	559	18.00	597	22.03	634	26.42	702	35.72	-	-
43200	1671	462	8.89	500	12.11	517	13.73	535	15.51	574	19.39	610	23.49	646	27.93	711	37.29	784	49.50
45600	1764	483	10.04	520	13.47	537	15.20	553	16.95	590	20.96	625	25.16	659	29.63	724	39.36	-	-
48000	1857	505	11.35	540	14.93	556	16.68	572	18.53	605	22.51	640	26.90	673	31.52	736	41.32	-	-
50400	1950	527	12.78	560	16.50	576	18.36	592	20.32	621	24.24	655	28.71	688	33.53	749	43.52	-	-
52800	2043	549	14.33	580	18.17	596	20.14	611	22.12	640	26.26	671	30.75	703	35.63	762	45.80	-	-
55200	2136	571	16.00	601	20.04	616	22.04	631	24.13	659	28.37	687	32.87	718	37.82	775	48.15	-	-
57600	2229	593	17.80	622	21.99	637	24.18	651	26.27	678	30.60	704	35.15	733	40.09	-	-	-	-
60000	2321	615	19.73	643	24.06	657	26.33	671	28.53	698	33.09	723	37.71	749	42.63	-	-	-	-
62400	2414	637	21.81	665	26.38	678	28.70	691	30.93	718	35.71	742	40.39	765	45.22	-	-	-	-
64800	2507	660	24.13	686	28.73	699	31.16	712	33.60	737	38.32	762	43.38	-	-	-	-	-	-
67200	2600	682	26.50	708	31.34	720	33.77	732	36.27	757	41.22	781	46.33	-	-	-	-	-	-
69600	2693	705	29.16	730	34.12	742	36.67	753	39.14	778	44.44	-	-	-	-	-	-	-	-
72000	2786	727	31.85	752	37.06	763	39.58	775	42.33	-	-	-	-	-	-	-	-	-	-
74400	2878	750	34.85	774	40.18	-	-	-	-	-	-	-	-	-	-	-	-	-	-
76800	2971	772	37.88	-	-	-	-	-	-	-	-	-	-	-	-	-	-	-	-

Performance certified is for installation type B – Free inlet, Ducted outlet. Power rating (BHP) does not include transmission losses. Performance ratings do not include the effects of appurtenances.

# MXI 542 AIR PERFORMANCE

MAX RPM	
LEVEL 1	554
LEVEL 2	703

CFM	OV	0.5"SP		1"SP		1.25"SP		1.5"SP		2"SP		2.5"SP		3"SP		4"SP		5"SP	
		RPM	BHP	RPM	BHP	RPM	BHP	RPM	BHP	RPM	BHP	RPM	BHP	RPM	BHP	RPM	BHP	RPM	BHP
25000	791	252	2.74	317	5.47	-	-	-	-	-	-	-	-	-	-	-	-	-	-
28100	889	267	3.23	327	6.03	355	7.69	-	-	-	-	-	-	-	-	-	-	-	-
31200	987	282	3.77	340	6.77	365	8.39	390	10.21	-	-	-	-	-	-	-	-	-	-
34300	1085	300	4.44	352	7.50	377	9.23	401	11.12	446	15.20	-	-	-	-	-	-	-	-
37400	1183	319	5.24	367	8.43	390	10.21	413	12.14	454	16.15	496	20.87	-	-	-	-	-	-
40500	1281	338	6.12	381	9.37	404	11.28	425	13.22	466	17.45	504	22.03	542	27.20	-	-	-	-
43600	1379	357	7.11	396	10.46	418	12.42	439	14.49	478	18.82	514	23.43	550	28.59	-	-	-	-
46700	1477	376	8.21	414	11.77	433	13.72	453	15.83	490	20.25	526	25.09	559	30.15	626	41.91	-	-
49800	1575	396	9.45	432	13.17	449	15.18	468	17.36	504	21.95	539	26.97	571	32.11	634	43.76	-	-
52900	1673	417	10.87	451	14.79	467	16.84	483	18.99	518	23.71	551	28.79	584	34.32	642	45.66	701	58.91
56000	1771	437	12.36	470	16.54	485	18.62	500	20.83	533	25.71	565	30.91	596	36.46	654	48.26	-	-
59100	1869	458	14.07	489	18.43	504	20.65	518	22.88	548	27.81	579	33.12	609	38.84	666	50.93	-	-
62200	1967	479	15.94	508	20.46	523	22.82	537	25.19	563	30.01	594	35.60	623	41.39	678	53.70	-	-
65300	2065	500	17.98	528	22.77	542	25.15	556	27.67	581	32.61	609	38.21	637	44.06	691	56.81	-	-
68400	2163	521	20.18	547	25.07	561	27.64	574	30.15	599	35.35	624	40.94	652	47.06	-	-	-	-
71500	2261	542	22.56	568	27.77	581	30.45	593	32.95	618	38.44	641	44.01	667	50.20	-	-	-	-
74600	2359	563	25.13	588	30.51	600	33.28	613	36.09	637	41.71	659	47.34	682	53.47	-	-	-	-
77700	2457	584	27.89	609	33.59	620	36.37	632	39.25	655	44.95	678	51.08	698	56.93	-	-	-	-
80800	2555	605	30.85	629	36.71	640	39.63	652	42.79	674	48.58	696	54.78	-	-	-	-	-	-
83900	2653	627	34.18	650	40.20	661	43.28	671	46.26	694	52.64	-	-	-	-	-	-	-	-
87000	2751	648	37.58	670	43.72	681	46.95	692	50.30	-	-	-	-	-	-	-	-	-	-
90100	2850	670	41.38	691	47.66	702	51.05	-	-	-	-	-	-	-	-	-	-	-	-
93200	2948	691	45.23	-	-	-	-	-	-	-	-	-	-	-	-	-	-	-	-

Performance certified is for installation type B – Free inlet, Ducted outlet. Power rating (BHP) does not include transmission losses. Performance ratings do not include the effects of appurtenances.

# MXI 600 AIR PERFORMANCE

MAX RPM	
LEVEL 1	500
LEVEL 2	640

CFM	OV	0.5"SP		1"SP		1.25"SP		1.5"SP		1.75"SP		2"SP		3"SP		4"SP		5.125"SP	
		RPM	BHP	RPM	BHP	RPM	BHP	RPM	BHP	RPM	BHP	RPM	BHP	RPM	BHP	RPM	BHP	RPM	BHP
30000	774	226	3.28	286	6.64	-	-	-	-	-	-	-	-	-	-	-	-	-	-
33800	872	239	3.84	294	7.26	320	9.31	-	-	-	-	-	-	-	-	-	-	-	-
37600	970	253	4.51	305	8.09	329	10.17	352	12.40	374	14.78	-	-	-	-	-	-	-	-
41400	1068	269	5.31	317	9.07	340	11.21	361	13.43	381	15.75	402	18.40	-	-	-	-	-	-
45200	1166	286	6.26	330	10.16	351	12.32	371	14.56	391	17.07	410	19.66	-	-	-	-	-	-
49000	1264	303	7.32	343	11.33	363	13.55	383	16.01	402	18.53	420	21.15	489	33.03	-	-	-	-
52800	1363	320	8.49	356	12.58	376	14.97	395	17.49	413	20.07	431	22.83	496	34.68	-	-	-	-
56600	1461	338	9.88	372	14.16	390	16.60	408	19.16	425	21.80	442	24.60	504	36.57	565	50.95	-	-
60400	1559	356	11.38	389	15.95	404	18.33	421	20.93	438	23.73	454	26.57	515	38.99	572	53.14	-	-
64200	1657	374	13.01	406	17.89	420	20.31	435	22.97	451	25.77	467	28.77	526	41.51	580	55.68	639	73.72
68000	1755	393	14.90	423	19.99	437	22.58	450	25.17	465	28.11	480	31.09	537	44.13	590	58.64	-	-
71800	1853	412	16.98	440	22.25	454	25.01	467	27.78	479	30.52	494	33.73	549	47.11	601	61.94	-	-
75600	1951	430	19.11	457	24.68	471	27.62	483	30.38	495	33.28	507	36.31	562	50.31	612	65.36	-	-
79400	2049	449	21.57	475	27.46	488	30.42	500	33.34	512	36.42	523	39.42	575	53.66	623	68.90	-	-
83200	2147	468	24.23	493	30.42	505	33.40	517	36.50	529	39.75	540	42.92	588	57.15	635	72.88	-	-
87000	2245	487	27.11	511	33.50	523	36.79	534	39.85	546	43.29	557	46.63	601	60.80	-	-	-	-
90800	2343	507	30.39	530	37.01	540	40.18	552	43.65	563	47.03	574	50.55	615	64.91	-	-	-	-
94600	2441	526	33.75	548	40.54	559	44.16	569	47.44	580	51.00	591	54.70	630	69.34	-	-	-	-
98400	2539	545	37.34	567	44.53	577	48.10	587	51.71	598	55.46	608	59.07	-	-	-	-	-	-
102200	2637	564	41.19	585	48.54	595	52.29	605	56.17	615	59.90	625	63.68	-	-	-	-	-	-
106000	2735	584	45.54	604	53.05	614	57.00	623	60.79	633	64.88	-	-	-	-	-	-	-	-
109800	2833	603	49.94	623	57.84	632	61.70	-	-	-	-	-	-	-	-	-	-	-	-
113600	2932	623	54.88	-	-	-	-	-	-	-	-	-	-	-	-	-	-	-	-

Performance certified is for installation type B – Free inlet, Ducted outlet. Power rating (BHP) does not include transmission losses. Performance ratings do not include the effects of appurtenances.

# MXI 122 SOUND PERFORMANCE

RPM	"Nom-inal Ps"	INLET SOUND POWER BY OCTAVE BANDS dB Lwi								LwiA
		63	125	250	500	1000	2000	4000	8000	
1000	0.00	61	63	65	67	66	60	50	40	69
	0.13	61	63	65	66	65	59	50	40	69
	0.25	61	63	64	65	64	59	50	39	68
	0.38	61	62	63	64	63	59	50	39	67
1500	0.00	71	69	74	74	78	73	65	55	80
	0.50	71	69	73	73	75	72	65	54	79
	0.75	71	69	73	72	73	71	65	54	77
	1.00	81	76	74	73	70	70	65	55	76
2000	0.00	77	76	80	80	82	81	75	65	87
	0.50	77	76	80	80	81	80	74	65	86
	1.00	77	76	79	79	80	79	74	65	85
	1.90	99	94	84	82	78	75	73	65	85
2500	0.00	82	81	82	85	86	88	82	74	92
	0.50	82	81	81	85	86	87	82	74	91
	1.50	82	81	81	84	84	85	81	73	90
	3.00	105	103	94	88	84	80	79	73	93
3000	0.00	86	86	84	89	89	93	88	80	97
	1.50	86	86	84	88	88	91	87	80	95
	2.50	86	86	84	88	88	90	87	80	94
	4.25	106	106	98	91	90	84	84	80	97
3525	0.00	89	89	88	93	93	95	93	86	100
	2.00	89	89	88	92	92	94	92	85	99
	4.00	89	89	88	91	91	92	91	85	98
	6.00	114	114	107	97	94	88	87	84	103
4050	0.00	92	92	91	96	96	98	97	90	103
	2.75	92	92	91	95	95	96	95	90	102
	5.50	92	92	91	94	94	94	94	89	100
	8.00	118	118	113	101	98	93	90	88	108

RPM	"Nom-inal Ps"	OUTLET SOUND POWER BY OCTAVE BANDS dB Lwo								LwoA
		63	125	250	500	1000	2000	4000	8000	
1000	0.00	71	70	66	68	67	60	50	40	70
	0.13	71	69	65	67	66	59	50	40	69
	0.25	71	68	64	66	64	58	49	40	68
	0.38	70	66	63	64	63	58	50	40	66
1500	0.00	81	79	72	76	78	74	64	55	81
	0.50	84	76	71	73	75	71	64	54	78
	0.75	85	75	71	72	73	70	64	55	77
	1.00	86	76	71	72	72	69	64	55	76
2000	0.00	87	86	81	81	83	82	75	65	87
	0.50	88	86	80	80	82	81	74	65	86
	1.00	90	86	80	79	81	79	73	65	85
	1.90	92	86	79	78	78	77	72	65	83
2500	0.00	92	91	88	87	88	88	83	73	93
	0.50	93	92	88	86	87	87	82	73	92
	1.50	94	93	86	84	85	85	81	72	91
	3.00	97	94	85	83	83	82	79	73	89
3000	0.00	96	96	94	91	91	93	89	79	98
	1.50	98	98	92	89	89	91	87	79	96
	2.50	99	99	91	88	88	90	86	79	95
	4.25	101	101	90	87	87	87	84	79	94
3525	0.00	99	99	98	94	94	96	94	85	101
	2.00	101	101	97	93	92	94	92	85	100
	4.00	103	103	96	91	91	92	90	84	98
	6.00	104	104	96	91	90	91	88	84	98
4050	0.00	102	102	101	97	96	99	97	90	104
	2.75	104	104	101	96	95	97	96	89	103
	5.50	106	106	101	94	93	95	94	88	101
	8.00	107	107	102	95	93	94	92	88	101

The sound power level ratings shown are in decibels, referred to  $10^{-12}$  watts, calculated per AMCA International Standard 301. The A-weighted sound ratings shown have been calculated per AMCA International Standard 301. Values shown are for inlet Lwi and inlet LwiA sound power levels for Installation Type B: free inlet, ducted outlet. Values shown are for outlet Lwo and outlet LwoA sound power levels for Installation Type B: free inlet, ducted outlet. Ratings include the effects of duct end correction.



# MXI 135 SOUND PERFORMANCE

RPM	"Nom-inal P <sub>s</sub> "	INLET SOUND POWER BY OCTAVE BANDS dB Lwi								LwiA
		63	125	250	500	1000	2000	4000	8000	
1000	0.00	64	66	68	71	69	63	53	43	73
	0.25	64	66	67	69	68	62	53	43	71
	0.38	64	66	67	68	67	62	53	42	70
	0.50	64	65	66	66	66	62	53	42	69
1400	0.00	72	71	76	76	79	74	66	55	81
	0.50	72	71	75	75	77	73	66	55	80
	0.75	72	71	74	74	75	73	66	55	79
	1.00	72	71	74	74	73	72	66	55	78
1800	0.00	78	77	81	81	84	81	74	65	87
	0.75	78	77	80	80	82	80	74	64	86
	1.25	78	77	80	80	81	79	74	64	85
	1.75	87	83	81	80	78	77	73	64	84
2200	0.00	82	81	85	85	87	87	81	72	92
	1.00	82	81	85	85	86	86	81	72	91
	2.00	82	81	84	84	84	84	80	72	89
	2.75	99	96	89	86	84	81	79	72	90
2700	0.00	87	86	86	90	91	93	88	80	97
	1.00	87	86	86	89	90	92	87	80	96
	2.00	87	86	85	89	89	91	87	79	95
	4.00	98	97	93	90	89	86	85	79	94
3100	0.00	90	90	88	93	93	97	92	85	100
	1.75	90	90	88	92	92	95	91	84	99
	3.50	90	90	88	92	91	93	91	84	98
	5.00	92	92	90	91	91	90	89	84	97
3498	0.00	92	92	91	96	96	98	96	89	103
	2.50	92	92	91	95	95	97	95	88	102
	5.00	92	92	91	94	94	95	93	88	100
	7.25	116	116	109	100	97	91	90	87	106

RPM	"Nom-inal P <sub>s</sub> "	OUTLET SOUND POWER BY OCTAVE BANDS dB Lwo								LwoA
		63	125	250	500	1000	2000	4000	8000	
1000	0.00	74	73	69	71	70	63	53	43	73
	0.25	74	71	67	69	68	62	53	43	71
	0.38	74	70	66	68	67	61	53	43	70
	0.50	73	69	66	67	65	61	53	44	69
1400	0.00	82	80	74	78	79	75	65	55	82
	0.50	84	78	73	76	77	73	65	55	80
	0.75	85	77	73	74	76	72	65	55	79
	1.00	86	76	72	73	74	71	65	56	78
1800	0.00	88	86	81	82	84	82	74	64	88
	0.75	90	86	80	80	82	80	73	64	86
	1.25	91	85	79	79	81	79	73	64	85
	1.75	92	85	79	79	79	77	72	64	84
2200	0.00	92	91	87	85	88	88	81	71	93
	1.00	94	92	86	84	86	86	80	71	91
	2.00	96	92	85	83	84	84	79	71	90
	2.75	97	92	85	83	83	82	78	71	89
2700	0.00	97	96	94	92	92	93	89	79	98
	1.00	98	97	93	91	91	92	88	79	97
	2.00	99	98	92	89	90	91	87	78	96
	4.00	101	100	90	88	88	88	85	78	94
3100	0.00	100	100	98	95	95	97	93	84	102
	1.75	101	101	97	93	93	95	92	83	100
	3.50	103	103	95	92	92	93	90	83	99
	5.00	104	104	94	91	91	91	89	83	98
3498	0.00	102	102	101	97	97	99	96	88	104
	2.50	104	104	100	96	95	97	95	87	103
	5.00	106	106	99	94	94	95	93	87	101
	7.25	107	107	99	94	93	94	91	86	100

The sound power level ratings shown are in decibels, referred to 10<sup>-12</sup> watts, calculated per AMCA International Standard 301. The A-weighted sound ratings shown have been calculated per AMCA International Standard 301. Values shown are for inlet Lwi and inlet LwiA sound power levels for Installation Type B: free inlet, ducted outlet. Values shown are for outlet Lwo and outlet LwoA sound power levels for Installation Type B: free inlet, ducted outlet. Ratings include the effects of duct end correction.

# MXI 150 SOUND PERFORMANCE

RPM	"Nom-inal Ps"	INLET SOUND POWER BY OCTAVE BANDS dB Lwi								LwiA
		63	125	250	500	1000	2000	4000	8000	
1000	0.00	67	69	71	74	72	66	57	46	76
	0.25	67	69	71	72	71	66	56	46	75
	0.50	67	69	70	70	70	65	56	46	73
	0.63	67	68	69	69	69	65	56	46	72
1350	0.00	75	74	78	79	81	76	68	57	84
	0.50	74	74	77	77	79	75	68	57	82
	1.00	75	74	76	76	77	74	67	57	81
	1.25	88	82	79	77	74	73	67	58	80
1700	0.00	80	78	83	83	86	83	76	66	89
	0.50	80	78	83	82	85	82	76	66	88
	1.50	80	78	82	81	82	81	75	65	86
	2.00	95	90	85	83	79	78	74	66	86
2050	0.00	84	83	87	87	89	88	82	73	93
	1.00	84	83	86	86	88	87	81	72	92
	2.00	84	83	86	86	86	86	81	72	91
	3.00	104	100	91	89	85	82	80	72	92
2450	0.00	88	87	88	91	92	93	88	79	98
	1.50	88	87	87	90	91	92	87	79	96
	3.00	88	87	87	89	90	90	87	79	95
	4.25	107	105	98	93	90	86	85	79	97
2850	0.00	91	91	90	94	95	98	93	85	101
	2.00	91	91	90	94	94	96	92	85	100
	4.00	91	91	90	93	93	94	91	84	99
	6.00	118	117	107	98	95	88	88	84	105
3225	0.00	94	94	92	97	97	100	96	89	104
	2.50	94	94	92	96	96	99	96	89	103
	5.00	94	94	92	95	95	96	95	89	102
	7.50	116	116	108	100	98	92	92	88	106

RPM	"Nom-inal Ps"	OUTLET SOUND POWER BY OCTAVE BANDS dB Lwo								LwoA
		63	125	250	500	1000	2000	4000	8000	
1000	0.00	77	76	72	75	73	66	56	46	76
	0.25	77	75	71	73	71	65	56	46	75
	0.50	77	73	69	71	70	64	56	46	73
	0.63	76	72	69	70	68	64	56	47	72
1350	0.00	85	82	77	80	81	77	67	57	84
	0.50	86	80	76	78	79	75	67	57	82
	1.00	87	79	75	76	77	73	66	57	80
	1.25	88	79	75	76	76	73	66	58	80
1700	0.00	90	88	83	84	87	84	75	65	90
	0.50	91	88	82	83	85	83	75	65	89
	1.50	93	86	81	81	82	80	74	65	86
	2.00	94	86	81	81	81	79	74	66	86
2050	0.00	94	93	88	87	90	89	82	72	94
	1.00	95	93	87	86	88	87	81	72	93
	2.00	97	93	86	85	87	85	80	72	91
	3.00	99	93	86	85	85	84	79	72	90
2450	0.00	98	97	94	93	93	94	88	78	99
	1.50	99	98	93	91	92	92	87	78	97
	3.00	101	99	91	89	90	90	86	78	96
	4.25	103	100	91	89	89	88	85	78	95
2850	0.00	101	101	98	96	96	98	94	84	103
	2.00	103	102	97	94	95	96	92	84	101
	4.00	104	104	96	93	93	94	90	83	99
	6.00	106	105	95	92	92	92	89	83	99
3225	0.00	104	104	102	99	98	101	97	88	106
	2.50	105	105	101	97	97	99	96	88	104
	5.00	106	106	100	96	96	98	95	88	103
	7.50	107	107	99	95	95	96	93	87	102

The sound power level ratings shown are in decibels, referred to  $10^{-12}$  watts, calculated per AMCA International Standard 301. The A-weighted sound ratings shown have been calculated per AMCA International Standard 301. Values shown are for inlet Lwi and inlet LwiA sound power levels for Installation Type B: free inlet, ducted outlet. Values shown are for outlet Lwo and outlet LwoA sound power levels for Installation Type B: free inlet, ducted outlet. Ratings include the effects of duct end correction.

# MXI 165 SOUND PERFORMANCE

RPM	"Nom-inal Ps"	INLET SOUND POWER BY OCTAVE BANDS dB Lwi								LwiA
		63	125	250	500	1000	2000	4000	8000	
1000	0.00	70	72	69	69	69	65	55	45	72
	0.50	68	69	66	65	67	64	53	41	70
	0.75	68	68	64	64	66	63	53	41	69
	0.90	68	67	63	63	65	60	51	41	68
1300	0.00	76	77	78	74	75	73	65	55	79
	0.50	75	75	76	72	73	72	64	53	77
	1.00	75	73	74	70	71	71	63	51	76
	1.60	76	73	71	68	70	68	59	50	74
1600	0.00	80	81	83	79	79	79	73	62	84
	1.00	79	78	80	76	76	77	72	60	82
	1.75	81	77	78	74	75	76	71	59	81
	2.40	82	78	76	73	73	75	67	57	79
1900	0.00	84	84	87	83	82	83	78	68	88
	1.00	83	82	85	81	81	82	78	67	87
	2.00	84	81	83	79	79	81	77	66	86
	3.40	87	82	80	77	77	79	73	63	83
2200	0.00	87	87	90	87	86	86	83	74	92
	1.50	87	86	87	85	84	85	82	73	90
	3.00	88	85	86	83	82	83	81	72	89
	4.50	90	86	83	81	80	82	78	69	87
2500	0.00	90	90	91	91	88	89	86	79	95
	1.75	89	89	89	89	86	87	86	78	93
	3.50	90	89	88	87	85	86	85	77	92
	5.00	92	90	87	85	83	85	84	76	91
2800	0.00	93	93	94	94	91	91	90	83	98
	2.50	92	91	91	91	89	89	89	82	96
	5.00	93	92	90	89	87	88	88	81	94
	7.13	95	93	89	87	85	86	86	78	93

RPM	"Nom-inal Ps"	OUTLET SOUND POWER BY OCTAVE BANDS dB Lwo								LwoA
		63	125	250	500	1000	2000	4000	8000	
1000	0.00	73	73	73	72	70	66	58	49	75
	0.50	72	72	71	71	70	66	56	46	73
	0.75	70	69	69	69	68	64	55	45	72
	0.90	70	70	69	68	68	63	57	51	71
1300	0.00	85	77	79	78	77	74	67	58	81
	0.50	84	77	79	77	76	73	67	56	81
	1.00	83	75	77	76	75	73	66	55	79
	1.60	82	74	76	73	73	71	66	61	78
1600	0.00	95	81	84	83	82	80	75	65	87
	1.00	93	80	83	82	81	79	74	64	86
	1.75	91	79	80	80	79	78	73	62	84
	2.40	91	78	81	78	78	77	72	66	83
1900	0.00	101	86	87	87	86	84	80	71	91
	1.00	100	86	87	86	86	84	80	70	90
	2.00	98	85	86	84	84	83	79	69	89
	3.40	96	83	85	82	82	81	77	72	87
2200	0.00	104	93	90	90	90	88	84	76	95
	1.50	103	92	90	89	89	87	84	75	94
	3.00	100	91	88	87	87	86	83	74	92
	4.50	100	89	88	86	85	85	81	76	91
2500	0.00	107	99	92	93	93	91	88	81	98
	1.75	106	98	91	92	92	90	87	80	97
	3.50	104	97	90	91	90	90	87	79	96
	5.00	102	95	88	89	88	88	85	79	94
2800	0.00	109	104	94	96	95	94	91	85	100
	2.50	108	103	93	95	94	93	90	84	100
	5.00	105	101	92	93	92	92	89	83	98
	7.13	105	100	91	92	90	90	88	83	97

The sound power level ratings shown are in decibels, referred to  $10^{-12}$  watts, calculated per AMCA International Standard 301. The A-weighted sound ratings shown have been calculated per AMCA International Standard 301. Values shown are for inlet Lwi and inlet LwiA sound power levels for Installation Type B: free inlet, ducted outlet. Values shown are for outlet Lwo and outlet LwoA sound power levels for Installation Type B: free inlet, ducted outlet. Ratings include the effects of duct end correction.

# MXI 182 SOUND PERFORMANCE

RPM	"Nom-inal Ps"	INLET SOUND POWER BY OCTAVE BANDS dB Lwi								LwiA
		63	125	250	500	1000	2000	4000	8000	
1000	0.00	73	75	72	72	72	68	58	48	75
	0.50	71	72	69	69	70	67	56	45	74
	0.75	71	71	68	68	70	66	56	44	73
	1.10	71	70	66	66	68	63	54	44	71
1250	0.00	78	79	81	76	77	74	66	56	81
	0.75	76	76	77	74	75	73	65	53	79
	1.25	77	75	76	72	73	73	65	53	78
	1.75	78	75	74	71	72	70	62	52	76
1500	0.00	82	83	85	80	80	80	73	63	86
	1.00	81	80	82	78	78	78	72	61	84
	1.75	82	79	80	76	77	78	72	60	83
	2.50	83	79	78	74	75	76	68	58	81
1750	0.00	85	86	88	84	84	84	79	68	90
	1.00	85	84	86	82	82	83	78	67	88
	2.25	86	82	84	79	80	82	78	66	87
	3.50	88	83	81	78	78	81	73	64	85
2000	0.00	88	88	91	88	87	87	83	73	93
	1.50	87	86	88	85	84	86	82	72	91
	3.00	89	86	86	83	83	85	81	71	90
	4.50	91	87	84	81	81	83	78	68	88
2300	0.00	91	91	94	91	90	90	87	78	96
	2.00	91	90	91	89	87	88	86	77	94
	4.00	92	90	89	87	86	87	85	76	93
	6.00	94	91	87	85	84	86	82	73	91
2620	0.00	94	94	95	95	93	93	91	83	99
	2.50	93	93	93	93	90	91	90	82	97
	5.00	95	93	92	91	88	90	89	82	96
	7.75	97	95	91	88	87	88	86	78	94

RPM	"Nom-inal Ps"	OUTLET SOUND POWER BY OCTAVE BANDS dB Lwo								LwoA
		63	125	250	500	1000	2000	4000	8000	
1000	0.00	76	76	76	75	73	69	61	52	78
	0.50	76	75	75	74	73	69	60	49	77
	0.75	74	73	73	73	72	68	59	49	76
	1.10	73	73	72	71	71	66	60	54	74
1250	0.00	87	80	81	80	79	76	69	60	83
	0.75	85	79	81	79	78	75	68	58	82
	1.25	84	77	78	77	77	74	67	57	81
	1.75	83	77	78	76	75	73	67	62	80
1500	0.00	95	83	85	85	84	81	75	66	88
	1.00	94	82	85	83	83	80	75	64	87
	1.75	92	81	82	81	81	79	74	63	86
	2.50	91	80	82	80	80	78	73	67	84
1750	0.00	102	86	89	88	87	85	81	71	92
	1.00	101	85	88	87	87	85	80	70	91
	2.25	99	84	86	85	85	84	79	69	90
	3.50	98	82	86	83	83	83	77	72	88
2000	0.00	105	92	91	91	90	88	84	76	95
	1.50	104	91	91	90	90	88	84	75	95
	3.00	101	90	89	88	88	87	83	74	93
	4.50	100	88	88	87	86	86	81	76	92
2300	0.00	108	98	94	94	94	92	88	81	99
	2.00	107	97	94	93	93	91	88	80	98
	4.00	104	96	92	91	91	90	87	79	96
	6.00	104	94	92	90	89	89	85	80	95
2620	0.00	111	104	96	97	97	95	92	86	102
	2.75	109	103	95	96	95	95	92	85	101
	5.50	107	101	93	94	93	93	90	84	99
	7.75	106	100	92	93	92	91	89	84	98

The sound power level ratings shown are in decibels, referred to  $10^{-12}$  watts, calculated per AMCA International Standard 301. The A-weighted sound ratings shown have been calculated per AMCA International Standard 301. Values shown are for inlet Lwi and inlet LwiA sound power levels for Installation Type B: free inlet, ducted outlet. Values shown are for outlet Lwo and outlet LwoA sound power levels for Installation Type B: free inlet, ducted outlet. Ratings include the effects of duct end correction.

# MXI 200 SOUND PERFORMANCE

RPM	"Nom-inal P <sub>S</sub> "	INLET SOUND POWER BY OCTAVE BANDS dB Lwi								LwiA
		63	125	250	500	1000	2000	4000	8000	
800	0.00	72	73	70	70	70	63	53	43	73
	0.25	70	71	68	68	69	63	51	40	71
	0.50	68	69	66	66	68	62	50	39	70
	0.80	68	68	64	65	66	60	49	38	69
1050	0.00	77	79	77	75	76	72	63	53	79
	0.50	75	77	74	73	75	71	62	50	78
	1.00	75	75	72	71	73	71	61	49	77
	1.50	76	73	70	70	72	67	58	48	75
1300	0.00	82	83	84	80	80	78	71	60	85
	0.75	80	81	82	78	79	77	70	58	83
	1.50	81	79	80	76	77	77	69	57	82
	2.25	82	78	78	74	76	74	66	56	80
1550	0.00	86	86	88	84	84	84	77	67	89
	1.00	85	84	86	82	82	83	76	65	88
	2.00	85	83	84	80	81	82	76	64	86
	3.25	87	83	81	78	79	80	72	62	84
1800	0.00	89	89	91	87	87	88	83	72	93
	1.50	88	87	89	85	85	87	82	71	91
	3.00	90	86	87	83	83	85	81	70	90
	4.50	91	86	84	81	81	84	77	67	88
2065	0.00	92	92	94	91	90	91	87	77	96
	1.75	91	90	92	89	88	89	86	76	95
	3.50	92	89	90	87	86	88	85	75	93
	5.00	94	90	89	86	85	87	84	74	92
2335	0.00	95	95	97	95	93	93	90	82	99
	2.50	94	93	95	92	91	92	89	81	97
	5.00	95	93	93	90	89	90	89	80	96
	7.38	97	94	90	88	87	89	86	77	94

RPM	"Nom-inal P <sub>S</sub> "	OUTLET SOUND POWER BY OCTAVE BANDS dB Lwo								LwoA
		63	125	250	500	1000	2000	4000	8000	
800	0.00	72	74	74	73	70	65	56	47	75
	0.25	71	74	73	72	70	65	55	45	74
	0.50	71	73	72	71	69	64	54	44	73
	0.80	69	71	69	69	68	63	55	47	72
1050	0.00	81	79	80	79	77	74	66	56	82
	0.50	81	79	79	78	77	73	65	55	81
	1.00	79	77	77	77	76	72	63	53	80
	1.50	78	76	76	75	74	71	65	59	78
1300	0.00	91	83	85	84	83	80	73	64	87
	0.75	90	83	84	83	82	79	72	62	87
	1.50	89	81	83	82	81	78	71	61	85
	2.25	87	80	82	80	79	77	71	65	84
1550	0.00	99	86	89	88	87	84	79	70	92
	1.00	98	86	88	87	87	84	79	69	91
	2.00	96	85	87	86	85	83	78	68	90
	3.25	95	83	86	83	83	82	77	71	88
1800	0.00	105	90	92	92	91	89	84	75	96
	1.50	104	89	91	90	90	88	84	74	95
	3.00	102	88	89	88	88	87	83	73	93
	4.50	101	86	89	87	86	86	81	76	92
2065	0.00	108	96	95	95	94	92	88	80	99
	1.75	107	95	95	94	93	92	88	79	98
	3.50	105	94	93	92	92	91	87	78	97
	5.00	103	93	91	90	90	90	86	78	96
2335	0.00	111	102	98	97	97	95	92	84	102
	2.50	110	101	97	97	96	95	91	83	101
	5.00	107	99	95	94	94	93	90	82	100
	7.38	107	98	95	93	92	92	89	83	98

The sound power level ratings shown are in decibels, referred to 10<sup>-12</sup> watts, calculated per AMCA International Standard 301. The A-weighted sound ratings shown have been calculated per AMCA International Standard 301. Values shown are for inlet Lwi and inlet LwiA sound power levels for Installation Type B: free inlet, ducted outlet. Values shown are for outlet Lwo and outlet LwoA sound power levels for Installation Type B: free inlet, ducted outlet. Ratings include the effects of duct end correction.

# MXI 222 SOUND PERFORMANCE

RPM	"Nom-inal Ps"	INLET SOUND POWER BY OCTAVE BANDS dB Lwi								LwiA
		63	125	250	500	1000	2000	4000	8000	
600	0.00	70	69	67	67	64	56	46	35	68
	0.25	67	66	64	65	63	55	43	32	66
	0.50	70	65	62	63	62	54	42	30	65
	0.63	71	66	61	62	59	50	41	32	63
850	0.00	76	78	74	74	75	69	58	48	78
	0.50	73	75	71	72	73	68	56	45	76
	0.75	73	74	70	71	72	68	56	44	75
	1.25	73	72	68	68	71	63	53	44	73
1100	0.00	82	83	81	80	80	77	68	57	84
	0.75	80	81	79	77	79	76	66	55	82
	1.25	79	79	77	76	78	75	66	54	81
	2.00	80	78	75	74	76	72	63	53	79
1350	0.00	86	87	88	84	84	83	75	65	89
	1.00	85	85	86	82	83	82	74	63	87
	2.00	85	83	84	80	81	81	74	62	86
	3.10	86	83	82	78	79	78	70	60	84
1600	0.00	90	90	92	88	88	88	82	71	93
	1.50	89	88	90	86	86	87	81	69	92
	3.00	90	87	88	83	84	86	80	68	90
	4.40	91	87	85	82	82	84	76	66	88
1875	0.00	93	93	96	92	91	92	87	77	97
	2.00	92	91	93	89	89	91	86	76	96
	4.00	94	90	91	87	87	89	86	75	94
	6.00	95	91	89	86	86	88	81	72	92
2150	0.00	96	96	98	96	94	95	91	82	100
	2.50	95	94	96	93	92	93	90	81	99
	5.00	96	94	94	91	90	92	90	80	97
	7.50	98	95	92	89	89	91	87	78	96

RPM	"Nom-inal Ps"	OUTLET SOUND POWER BY OCTAVE BANDS dB Lwo								LwoA
		63	125	250	500	1000	2000	4000	8000	
600	0.00	85	71	71	69	66	59	49	40	71
	0.25	83	70	69	68	65	57	47	37	70
	0.50	80	67	67	66	64	56	46	36	68
	0.63	81	67	66	65	62	57	53	48	67
850	0.00	76	79	79	78	75	71	61	52	80
	0.50	75	78	77	77	75	70	60	50	79
	0.75	75	77	76	76	74	69	59	49	78
	1.25	73	76	74	73	73	67	63	58	76
1100	0.00	87	84	84	84	82	78	71	61	86
	0.75	86	83	83	83	81	78	69	59	85
	1.25	85	82	82	81	81	77	69	58	84
	2.00	83	80	80	79	79	75	69	63	83
1350	0.00	96	87	89	88	87	84	78	68	91
	1.00	95	87	89	87	86	84	77	67	91
	2.00	93	85	87	86	85	83	76	66	89
	3.10	92	84	86	83	83	81	76	70	88
1600	0.00	104	90	93	92	91	89	84	74	96
	1.50	103	90	92	91	90	88	83	73	95
	3.00	100	88	90	89	89	87	82	72	93
	4.40	100	87	90	87	87	86	81	76	92
1875	0.00	109	95	96	96	95	93	89	80	100
	2.00	108	94	96	95	94	93	88	79	99
	4.00	106	93	94	93	93	92	87	78	98
	6.00	105	91	93	91	90	90	85	80	96
2150	0.00	112	101	99	99	98	96	93	85	103
	2.50	111	100	99	98	97	96	92	84	102
	5.00	109	99	97	96	96	95	91	83	101
	7.50	108	97	96	94	94	93	90	84	99

The sound power level ratings shown are in decibels, referred to  $10^{-12}$  watts, calculated per AMCA International Standard 301. The A-weighted sound ratings shown have been calculated per AMCA International Standard 301. Values shown are for inlet Lwi and inlet LwiA sound power levels for Installation Type B: free inlet, ducted outlet. Values shown are for outlet Lwo and outlet LwoA sound power levels for Installation Type B: free inlet, ducted outlet. Ratings include the effects of duct end correction.

# MXI 245 SOUND PERFORMANCE

RPM	"Nom-inal Ps"	INLET SOUND POWER BY OCTAVE BANDS dB Lwi								LwiA
		63	125	250	500	1000	2000	4000	8000	
500	0.00	69	66	66	66	62	52	42	31	66
	0.13	68	65	64	65	61	51	40	29	65
	0.25	66	63	62	64	61	50	38	27	65
	0.50	70	60	60	62	57	48	38	27	62
700	0.00	75	76	73	73	72	65	54	44	75
	0.50	72	72	70	70	70	63	51	40	73
	0.75	72	72	68	69	70	63	51	39	72
	1.00	71	72	67	68	68	60	50	40	71
900	0.00	80	82	79	78	79	74	63	53	82
	0.50	78	80	76	76	78	73	62	51	81
	1.00	77	78	74	75	77	73	61	49	80
	1.70	78	76	72	73	75	68	58	49	77
1100	0.00	84	86	84	83	83	80	71	60	87
	0.75	83	84	82	81	82	79	70	58	85
	1.50	82	82	80	79	81	78	69	57	84
	2.50	83	81	78	77	79	75	66	56	82
1400	0.00	90	90	92	88	88	87	80	69	93
	1.50	88	88	89	85	86	86	79	67	91
	3.00	89	87	87	83	84	85	78	66	90
	4.10	90	86	85	82	83	82	74	65	88
1675	0.00	94	94	96	92	92	92	86	76	97
	1.63	93	92	94	90	90	91	86	74	96
	3.25	93	90	92	88	89	90	85	73	95
	5.00	95	90	91	86	87	89	84	72	94
1950	0.00	97	97	99	96	95	96	91	81	101
	2.50	96	95	97	94	93	94	90	80	99
	5.00	97	94	95	91	91	93	90	79	98
	7.50	99	95	93	90	90	92	87	77	96

RPM	"Nom-inal Ps"	OUTLET SOUND POWER BY OCTAVE BANDS dB Lwo								LwoA
		63	125	250	500	1000	2000	4000	8000	
500	0.00	84	70	69	67	63	55	46	36	69
	0.13	83	69	69	67	63	54	44	35	68
	0.25	82	68	68	67	63	53	43	33	68
	0.50	79	66	65	65	60	54	48	42	66
700	0.00	76	78	77	76	73	67	58	48	77
	0.50	75	76	75	75	72	66	55	45	76
	0.75	73	74	74	73	71	65	55	44	75
	1.00	72	74	72	72	70	65	59	53	74
900	0.00	81	83	83	82	80	75	66	57	84
	0.50	80	83	82	81	79	75	65	55	84
	1.00	79	81	80	80	79	74	64	54	83
	1.70	77	80	78	77	77	72	67	62	81
1100	0.00	90	86	87	87	85	81	73	64	89
	0.75	89	86	86	86	84	81	73	63	88
	1.50	88	85	85	84	83	80	72	61	87
	2.50	86	83	83	82	82	78	73	67	86
1400	0.00	101	91	93	92	91	88	82	73	95
	1.50	100	90	92	91	90	87	81	71	94
	3.00	97	88	89	89	88	86	80	70	93
	4.10	97	87	90	87	87	85	80	75	92
1625	0.00	109	94	97	96	95	93	88	79	100
	1.63	108	93	96	95	95	93	88	78	99
	3.25	106	93	95	94	94	92	87	77	98
	5.00	104	91	93	92	92	91	86	77	97
1950	0.00	113	99	100	100	99	97	93	84	104
	2.50	112	99	99	99	98	96	92	83	103
	5.00	110	98	98	97	97	96	91	82	102
	7.50	109	96	97	95	94	94	90	84	100

The sound power level ratings shown are in decibels, referred to 10<sup>-12</sup> watts, calculated per AMCA International Standard 301. The A-weighted sound ratings shown have been calculated per AMCA International Standard 301. Values shown are for inlet Lwi and inlet LwiA sound power levels for Installation Type B: free inlet, ducted outlet. Values shown are for outlet Lwo and outlet LwoA sound power levels for Installation Type B: free inlet, ducted outlet. Ratings include the effects of duct end correction.

# MXI 270 SOUND PERFORMANCE

RPM	"Nom-inal Ps"	INLET SOUND POWER BY OCTAVE BANDS dB Lwi								LwiA
		63	125	250	500	1000	2000	4000	8000	
500	0.00	72	69	68	69	65	55	45	34	69
	0.25	69	67	66	67	64	53	42	30	68
	0.50	72	64	64	66	63	53	41	29	67
	0.63	73	63	63	65	59	50	40	31	65
700	0.00	78	79	76	76	75	68	57	47	78
	0.25	77	77	74	75	74	67	56	45	77
	0.75	75	75	72	73	73	66	54	42	76
	1.25	74	75	70	71	70	62	52	43	73
900	0.00	83	85	82	81	82	77	66	56	85
	0.75	81	83	79	79	80	76	65	53	83
	1.25	80	81	77	78	80	75	64	52	83
	2.00	80	79	75	76	78	71	62	52	80
1100	0.00	87	89	87	86	86	83	74	63	90
	1.00	86	87	85	83	85	82	72	61	88
	2.00	85	85	83	82	83	81	72	60	87
	3.00	86	84	81	80	82	78	69	59	85
1275	0.00	91	92	93	89	89	87	79	69	94
	1.50	89	89	90	86	87	86	78	67	92
	3.00	90	88	88	84	86	85	77	65	90
	4.10	91	87	86	83	84	82	74	64	88
1475	0.00	94	94	96	92	92	91	85	74	97
	1.63	93	92	94	90	90	90	84	72	96
	3.25	93	91	92	88	89	89	83	71	94
	5.00	95	91	90	86	87	88	81	70	93
1680	0.00	97	97	99	95	95	95	89	79	100
	2.38	96	94	97	93	93	94	89	77	99
	4.75	97	93	95	90	91	93	88	76	97
	7.00	99	94	92	89	89	91	84	74	96

RPM	"Nom-inal Ps"	OUTLET SOUND POWER BY OCTAVE BANDS dB Lwo								LwoA
		63	125	250	500	1000	2000	4000	8000	
500	0.00	87	73	72	70	66	58	49	39	72
	0.25	85	72	71	70	66	57	46	36	71
	0.50	82	69	69	68	64	55	45	35	69
	0.63	82	68	68	67	63	58	53	48	69
700	0.00	79	80	80	79	76	70	61	51	80
	0.25	78	80	79	78	76	69	60	50	80
	0.75	77	78	77	77	75	68	58	48	79
	1.25	75	77	75	75	73	68	63	58	77
900	0.00	84	86	86	85	83	78	69	60	87
	0.75	83	85	84	84	82	78	68	58	86
	1.25	82	84	83	83	82	77	67	57	85
	2.00	80	83	81	80	80	75	69	64	84
1100	0.00	93	89	90	90	88	84	76	67	92
	1.00	92	89	89	89	87	84	75	65	91
	2.00	90	87	87	87	86	83	74	64	90
	3.00	89	86	86	85	85	81	76	70	89
1275	0.00	99	92	94	93	91	88	82	72	96
	1.50	98	91	93	92	91	88	81	71	95
	3.00	96	89	90	90	89	87	79	69	93
	4.10	96	89	91	88	88	85	80	75	92
1475	0.00	106	95	97	96	95	92	87	77	100
	1.63	105	94	96	95	94	92	86	76	99
	3.25	104	93	95	94	93	91	85	75	98
	5.00	102	91	93	92	91	90	84	77	96
1680	0.00	112	97	100	99	98	96	91	82	103
	2.38	111	96	99	98	98	96	91	81	102
	4.75	108	95	97	96	96	95	90	79	101
	7.00	108	94	97	94	94	93	88	83	99

The sound power level ratings shown are in decibels, referred to  $10^{-12}$  watts, calculated per AMCA International Standard 301. The A-weighted sound ratings shown have been calculated per AMCA International Standard 301. Values shown are for inlet Lwi and inlet LwiA sound power levels for Installation Type B: free inlet, ducted outlet. Values shown are for outlet Lwo and outlet LwoA sound power levels for Installation Type B: free inlet, ducted outlet. Ratings include the effects of duct end correction.



# MXI 300 SOUND PERFORMANCE

RPM	"Nom-inal Ps"	INLET SOUND POWER BY OCTAVE BANDS dB Lwi								LwiA
		63	125	250	500	1000	2000	4000	8000	
500	0.00	76	73	72	72	68	58	48	38	73
	0.25	73	70	70	71	67	57	46	34	71
	0.50	74	68	68	70	67	56	44	32	70
	0.75	76	66	66	68	63	54	44	34	68
700	0.00	82	82	79	79	78	71	60	50	81
	0.50	79	80	77	77	77	70	59	47	80
	1.00	78	78	75	76	76	69	57	45	79
	1.50	77	78	73	74	74	66	56	46	77
900	0.00	86	89	85	84	85	80	70	59	88
	0.75	84	86	83	83	84	79	68	57	87
	1.50	83	85	81	81	83	79	67	55	86
	2.50	84	82	79	79	81	74	65	55	84
1050	0.00	90	91	89	88	88	84	75	65	92
	1.00	88	89	87	86	87	84	74	63	91
	2.00	87	88	85	84	86	83	73	61	89
	3.45	88	86	83	82	84	79	70	61	87
1150	0.00	92	93	92	90	90	87	79	68	94
	1.50	90	90	89	87	88	86	77	66	92
	3.00	90	89	87	85	87	85	76	65	91
	4.15	91	88	85	84	86	82	73	64	89
1325	0.00	95	96	97	93	93	91	84	73	98
	1.63	93	94	95	91	92	90	83	72	96
	3.25	93	92	93	89	90	90	82	70	95
	5.00	95	91	91	87	89	88	80	69	93
1498	0.00	97	98	100	96	96	95	88	78	101
	2.38	96	96	98	94	94	94	88	77	100
	4.75	96	95	96	92	93	93	87	75	98
	7.00	97	94	95	91	92	93	87	75	98

RPM	"Nom-inal Ps"	OUTLET SOUND POWER BY OCTAVE BANDS dB Lwo								LwoA
		63	125	250	500	1000	2000	4000	8000	
500	0.00	90	76	76	73	70	61	52	43	75
	0.25	89	75	75	73	69	60	50	40	74
	0.50	87	73	73	72	68	59	49	39	73
	0.75	86	72	71	71	67	61	54	48	72
700	0.00	82	84	83	82	79	73	64	54	83
	0.50	81	83	82	81	79	72	62	52	83
	1.00	80	81	80	80	78	71	61	51	82
	1.50	79	80	78	78	76	71	65	60	80
900	0.00	87	89	89	88	86	82	73	63	90
	0.75	86	89	88	87	86	81	71	62	90
	1.50	85	87	86	86	85	80	70	60	89
	2.50	83	86	84	84	83	78	73	67	87
1050	0.00	94	92	92	92	90	86	78	69	94
	1.00	93	91	91	91	89	86	77	67	94
	2.00	92	90	90	90	89	85	76	66	93
	3.45	90	89	88	87	87	83	78	73	91
1150	0.00	98	93	94	94	92	89	81	72	96
	1.50	97	93	93	93	92	88	80	70	96
	3.00	95	91	91	91	90	87	79	69	94
	4.15	94	90	90	89	89	85	80	75	93
1325	0.00	104	96	98	97	96	92	86	77	100
	1.63	104	95	97	96	95	92	85	75	99
	3.25	102	94	96	95	94	91	85	74	98
	5.00	100	93	94	93	92	90	84	76	97
1498	0.00	110	98	100	100	99	96	90	81	103
	2.38	109	98	100	99	98	96	90	80	102
	4.75	107	96	98	97	96	95	89	78	101
	7.00	106	95	98	95	95	93	88	83	100

The sound power level ratings shown are in decibels, referred to  $10^{-12}$  watts, calculated per AMCA International Standard 301. The A-weighted sound ratings shown have been calculated per AMCA International Standard 301. Values shown are for inlet Lwi and inlet LwiA sound power levels for Installation Type B: free inlet, ducted outlet. Values shown are for outlet Lwo and outlet LwoA sound power levels for Installation Type B: free inlet, ducted outlet. Ratings include the effects of duct end correction.

# MXI 330 SOUND PERFORMANCE

RPM	"Nom-inal Ps"	INLET SOUND POWER BY OCTAVE BANDS dB Lwi								LwiA
		63	125	250	500	1000	2000	4000	8000	
500	0.00	78	76	75	75	71	61	51	41	76
	0.25	77	74	73	74	70	60	49	38	74
	0.50	76	72	71	73	70	59	47	36	74
	0.95	79	69	69	71	65	56	47	37	71
600	0.00	82	81	79	79	76	68	58	47	80
	0.50	80	78	76	77	75	67	55	44	79
	1.00	82	77	74	76	74	66	54	42	78
	1.35	83	78	73	74	71	63	53	43	75
700	0.00	85	85	82	82	81	74	63	53	84
	0.60	82	82	80	80	80	73	61	50	83
	1.20	81	81	78	79	79	72	60	48	82
	1.80	80	81	76	77	77	69	59	49	80
800	0.00	87	89	85	85	85	79	68	58	88
	1.00	84	85	82	82	83	78	66	54	86
	1.50	84	84	81	81	83	77	65	54	85
	2.40	84	84	79	79	81	73	63	54	83
900	0.00	89	92	88	87	88	83	73	62	91
	1.00	87	89	85	85	87	82	71	60	90
	2.00	86	87	83	83	86	82	70	58	89
	3.00	87	85	81	82	84	77	68	58	87
1150	0.00	94	96	94	93	93	90	82	71	97
	1.63	93	94	92	91	92	89	80	69	95
	3.25	93	92	90	89	90	88	79	68	94
	5.00	94	91	88	87	89	85	76	67	92
1405	0.00	99	100	101	97	97	96	89	78	102
	2.38	98	97	99	95	95	95	88	77	100
	4.75	98	96	97	93	94	94	87	75	99
	7.25	100	96	95	91	92	92	84	74	97

RPM	"Nom-inal Ps"	OUTLET SOUND POWER BY OCTAVE BANDS dB Lwo								LwoA
		63	125	250	500	1000	2000	4000	8000	
500	0.00	93	79	78	76	72	64	55	46	78
	0.25	92	78	78	76	72	63	53	43	77
	0.50	91	77	77	76	72	62	52	42	77
	0.95	89	75	74	73	69	64	59	54	75
600	0.00	97	83	83	81	78	71	61	52	83
	0.50	95	82	82	80	77	70	59	49	82
	1.00	92	80	79	79	76	68	58	48	80
	1.35	93	79	78	78	75	69	64	59	79
700	0.00	85	87	86	85	82	76	67	57	86
	0.60	84	86	85	84	82	75	65	55	86
	1.20	83	84	83	83	81	74	64	54	85
	1.80	82	83	81	81	79	74	68	62	83
800	0.00	87	90	89	88	86	81	71	62	90
	1.00	86	89	88	87	85	80	70	59	89
	1.50	85	87	86	86	85	79	69	59	88
	2.40	84	86	84	84	83	78	72	67	87
900	0.00	90	92	92	91	89	85	75	66	93
	1.00	89	92	91	90	88	84	74	64	93
	2.00	88	90	89	89	88	83	73	63	91
	3.00	86	89	87	87	86	81	76	70	90
1150	0.00	101	96	97	97	95	91	84	75	99
	1.63	100	96	96	96	94	91	83	73	99
	3.25	98	94	94	94	93	90	82	72	97
	5.00	97	93	93	92	92	88	83	78	96
1405	0.00	110	100	102	101	100	97	91	82	104
	2.38	109	99	101	100	99	97	90	80	104
	4.75	107	98	100	99	98	96	89	79	102
	7.25	106	97	99	96	96	94	89	83	101

The sound power level ratings shown are in decibels, referred to  $10^{-12}$  watts, calculated per AMCA International Standard 301. The A-weighted sound ratings shown have been calculated per AMCA International Standard 301. Values shown are for inlet Lwi and inlet LwiA sound power levels for Installation Type B: free inlet, ducted outlet. Values shown are for outlet Lwo and outlet LwoA sound power levels for Installation Type B: free inlet, ducted outlet. Ratings include the effects of duct end correction.

# MXI 365 SOUND PERFORMANCE

RPM	"Nom-inal Ps"	INLET SOUND POWER BY OCTAVE BANDS dB Lwi								LwiA
		63	125	250	500	1000	2000	4000	8000	
500	0.00	81	79	78	78	74	64	54	44	79
	0.25	80	77	76	77	73	63	52	41	78
	0.75	80	74	74	76	73	62	50	38	76
	1.15	82	72	72	74	69	59	50	40	74
575	0.00	84	82	81	81	78	70	59	49	82
	0.50	82	80	79	80	77	68	57	46	81
	1.00	83	78	77	78	76	68	56	44	80
	1.50	85	76	75	77	73	65	55	45	77
650	0.00	86	86	83	84	82	74	64	53	85
	0.75	84	83	81	82	81	73	61	50	84
	1.25	83	82	79	81	80	72	60	49	83
	1.95	82	82	77	79	77	69	59	49	80
725	0.00	88	89	86	86	85	78	68	57	88
	0.75	86	87	84	84	84	77	66	55	87
	1.50	85	85	82	83	83	77	65	53	86
	2.40	84	85	80	81	81	73	63	53	84
820	0.00	90	92	89	88	89	83	72	62	92
	1.00	88	90	86	86	87	82	71	59	90
	2.00	87	88	84	85	86	81	69	58	89
	3.10	87	87	82	83	85	77	67	58	87
1050	0.00	96	97	95	94	94	90	81	71	98
	1.75	94	95	93	92	93	90	80	68	96
	3.50	93	93	90	90	91	89	79	67	95
	5.00	94	92	89	88	90	85	76	67	93
1280	0.00	100	101	102	98	98	96	89	78	103
	2.50	98	99	100	96	97	95	87	76	101
	5.00	99	97	98	94	95	94	87	75	100
	7.50	100	96	95	92	94	92	83	74	98

RPM	"Nom-inal Ps"	OUTLET SOUND POWER BY OCTAVE BANDS dB Lwo								LwoA
		63	125	250	500	1000	2000	4000	8000	
500	0.00	96	82	82	79	76	67	58	49	81
	0.25	95	81	81	79	75	66	57	47	80
	0.75	92	79	79	78	74	65	55	44	79
	1.15	92	78	77	77	72	67	62	57	78
575	0.00	99	85	85	83	79	72	63	54	85
	0.50	98	84	84	82	79	71	61	51	84
	1.00	95	82	82	81	78	70	60	50	83
	1.50	95	81	80	80	76	71	65	60	81
650	0.00	87	88	88	86	83	76	67	58	87
	0.75	86	87	86	85	82	75	65	55	87
	1.25	85	85	85	84	82	75	64	54	86
	1.95	83	84	83	82	80	75	70	64	84
725	0.00	88	90	90	89	86	80	71	62	90
	0.75	88	90	89	88	86	80	70	60	90
	1.50	87	88	87	87	85	79	68	58	89
	2.40	85	87	85	85	83	78	72	67	87
820	0.00	91	93	93	92	89	85	75	66	94
	1.00	90	93	92	91	89	84	74	64	93
	2.00	89	91	90	90	88	83	73	63	92
	3.10	87	90	88	87	87	82	76	71	90
1050	0.00	96	97	95	94	94	90	81	71	98
	1.75	94	95	93	92	93	90	80	68	96
	3.50	93	93	90	90	91	89	79	67	95
	5.00	94	92	89	88	90	85	76	67	93
1280	0.00	100	101	102	98	98	96	89	78	103
	2.50	99	99	101	97	97	96	88	77	102
	5.00	98	98	99	95	96	95	87	75	101
	7.50	99	97	98	94	95	94	87	75	100

The sound power level ratings shown are in decibels, referred to 10<sup>-12</sup> watts, calculated per AMCA International Standard 301. The A-weighted sound ratings shown have been calculated per AMCA International Standard 301. Values shown are for inlet Lwi and inlet LwiA sound power levels for Installation Type B: free inlet, ducted outlet. Values shown are for outlet Lwo and outlet LwoA sound power levels for Installation Type B: free inlet, ducted outlet. Ratings include the effects of duct end correction.

# MXI 402 SOUND PERFORMANCE

RPM	"Nom-inal Ps"	INLET SOUND POWER BY OCTAVE BANDS dB Lwi								LwiA
		63	125	250	500	1000	2000	4000	8000	
500	0.00	84	82	81	81	77	67	57	47	82
	0.50	82	79	78	80	76	66	54	43	80
	1.00	83	77	76	78	75	65	53	41	79
	1.40	85	75	75	77	71	62	53	43	77
575	0.00	87	85	84	84	81	72	62	52	85
	0.50	85	83	82	83	80	71	60	49	84
	1.00	85	82	80	82	80	71	59	47	83
	1.85	88	79	78	80	76	67	58	48	80
625	0.00	88	88	85	86	83	76	65	55	87
	0.75	86	85	83	84	82	74	63	52	86
	1.50	85	84	81	83	82	74	62	50	85
	2.20	84	84	79	81	79	70	61	51	82
675	0.00	90	90	87	87	86	78	68	58	89
	0.75	88	88	85	86	85	77	66	55	88
	1.50	86	86	83	84	84	77	65	53	87
	2.50	86	86	81	83	82	73	63	54	85
750	0.00	92	93	89	90	89	82	72	61	92
	1.00	90	90	87	88	88	81	70	59	91
	2.00	88	89	85	86	87	81	69	57	90
	3.15	88	88	83	84	85	77	67	57	87
915	0.00	96	98	94	94	94	89	79	69	98
	1.25	94	96	92	92	93	89	78	67	96
	2.50	92	94	90	90	92	88	77	65	95
	4.00	93	93	88	89	91	87	76	64	94
1080	0.00	99	101	99	97	98	94	85	75	101
	2.25	97	98	96	95	96	93	84	72	100
	4.50	97	97	94	93	95	93	83	71	99
	6.50	98	95	92	92	93	89	80	70	96

RPM	"Nom-inal Ps"	OUTLET SOUND POWER BY OCTAVE BANDS dB Lwo								LwoA
		63	125	250	500	1000	2000	4000	8000	
500	0.00	99	85	84	82	78	70	61	52	84
	0.50	97	84	83	82	78	69	59	49	83
	1.00	95	82	82	81	77	68	57	47	82
	1.40	95	81	80	80	75	70	65	60	81
575	0.00	102	88	88	86	82	75	66	56	87
	0.50	101	87	87	86	82	74	64	54	87
	1.00	99	86	86	85	82	73	63	53	86
	1.85	98	84	83	83	79	74	69	64	84
625	0.00	89	90	90	88	85	78	69	59	89
	0.75	88	89	88	87	84	77	67	57	89
	1.50	86	87	87	86	83	76	66	55	87
	2.20	86	86	85	84	82	77	72	67	86
675	0.00	90	92	91	90	87	81	71	62	91
	0.75	90	91	90	89	87	80	70	60	91
	1.50	89	90	89	88	86	79	69	59	90
	2.50	87	88	87	86	84	79	73	67	88
750	0.00	92	94	94	93	90	84	75	66	94
	1.00	91	94	93	92	89	84	74	64	94
	2.00	90	92	91	91	89	83	73	62	93
	3.15	89	91	89	88	87	82	77	72	91
915	0.00	96	98	98	98	95	91	82	73	100
	1.25	96	98	97	97	95	91	81	71	99
	2.50	95	97	96	96	95	90	80	70	98
	4.00	94	95	94	94	93	89	80	70	97
1080	0.00	104	101	102	101	99	96	88	79	104
	2.25	103	101	101	100	99	95	87	77	103
	4.50	101	99	99	98	98	94	86	75	102
	6.50	100	98	98	97	96	93	87	82	100

The sound power level ratings shown are in decibels, referred to  $10^{-12}$  watts, calculated per AMCA International Standard 301. The A-weighted sound ratings shown have been calculated per AMCA International Standard 301. Values shown are for inlet Lwi and inlet LwiA sound power levels for Installation Type B: free inlet, ducted outlet. Values shown are for outlet Lwo and outlet LwoA sound power levels for Installation Type B: free inlet, ducted outlet. Ratings include the effects of duct end correction.

# MXI 445 SOUND PERFORMANCE

RPM	"Nom-inal Ps"	INLET SOUND POWER BY OCTAVE BANDS dB Lwi								LwiA
		63	125	250	500	1000	2000	4000	8000	
400	0.00	83	79	79	79	73	62	52	41	79
	0.50	79	76	76	77	72	60	48	37	77
	0.75	81	74	75	77	71	59	48	36	76
	1.10	83	73	73	75	67	57	48	38	74
475	0.00	87	83	83	83	78	69	58	48	83
	0.50	84	81	81	82	78	67	56	44	82
	1.00	85	79	79	81	77	66	54	42	81
	1.50	87	77	77	79	74	64	54	44	79
550	0.00	89	87	86	86	83	74	64	53	87
	0.75	87	85	83	85	82	73	61	50	86
	1.50	89	82	81	83	81	72	60	48	84
	2.10	90	81	80	82	77	69	59	50	82
625	0.00	92	91	89	89	87	79	68	58	90
	1.00	89	88	86	87	85	77	66	54	89
	2.00	88	87	84	85	85	77	65	53	88
	2.70	87	88	83	84	82	73	64	54	85
675	0.00	93	93	90	90	89	81	71	61	92
	1.00	91	91	88	89	88	80	69	58	91
	2.00	89	89	86	87	87	80	68	56	90
	3.15	89	89	84	85	84	76	66	57	87
805	0.00	96	98	94	94	94	88	78	67	97
	1.25	94	96	92	92	93	87	76	65	96
	2.50	93	94	90	91	92	87	75	63	95
	4.00	93	93	88	89	91	85	74	63	93
930	0.00	99	101	98	97	98	93	83	72	101
	2.00	97	99	95	95	96	92	81	70	99
	4.00	96	97	93	93	95	92	80	68	98
	6.00	97	95	91	91	94	87	78	68	96

RPM	"Nom-inal Ps"	OUTLET SOUND POWER BY OCTAVE BANDS dB Lwo								LwoA
		63	125	250	500	1000	2000	4000	8000	
400	0.00	97	83	82	80	75	65	56	47	81
	0.50	95	82	81	79	74	64	53	43	80
	0.75	93	80	80	78	73	63	53	42	79
	1.10	93	78	78	77	72	67	62	56	78
475	0.00	101	87	86	84	80	71	62	53	86
	0.50	100	86	86	84	80	70	60	50	85
	1.00	97	84	84	83	79	69	59	49	84
	1.50	96	82	82	82	77	71	65	59	83
550	0.00	104	90	90	88	84	77	67	58	89
	0.75	103	89	89	87	84	75	65	55	89
	1.50	100	87	87	86	83	74	64	54	87
	2.10	100	86	85	85	81	76	71	66	86
625	0.00	92	93	93	91	88	81	72	62	92
	1.00	91	92	91	90	87	80	70	60	92
	2.00	89	90	89	89	86	79	69	58	90
	2.70	89	89	88	87	85	80	75	70	89
675	0.00	93	95	94	93	90	84	74	65	94
	1.00	93	94	93	92	90	83	73	63	94
	2.00	91	92	92	91	89	82	72	61	93
	3.15	90	91	89	89	87	82	77	72	91
805	0.00	96	99	98	97	95	90	81	71	99
	1.25	96	98	97	97	95	89	80	70	99
	2.50	95	97	96	96	94	89	78	68	98
	4.00	93	95	94	94	93	87	79	71	96
930	0.00	100	102	102	101	99	95	86	76	103
	2.00	100	101	100	100	98	94	85	74	102
	4.00	98	99	98	98	97	93	83	73	101
	6.00	97	99	97	96	96	91	86	81	100

The sound power level ratings shown are in decibels, referred to  $10^{-12}$  watts, calculated per AMCA International Standard 301. The A-weighted sound ratings shown have been calculated per AMCA International Standard 301. Values shown are for inlet LWi and inlet LWiA sound power levels for Installation Type B: free inlet, ducted outlet. Values shown are for outlet Lwo and outlet LwoA sound power levels for Installation Type B: free inlet, ducted outlet. Ratings include the effects of duct end correction.

# MXI 490 SOUND PERFORMANCE

RPM	"Nom-inal Ps"	INLET SOUND POWER BY OCTAVE BANDS dB Lwi								LwiA
		63	125	250	500	1000	2000	4000	8000	
300	0.00	77	76	76	73	65	55	44	34	73
	0.25	76	73	74	72	64	52	41	30	72
	0.50	78	71	73	72	63	51	39	27	71
	0.75	80	70	71	68	60	50	40	31	68
375	0.00	84	80	80	80	73	63	52	42	80
	0.50	81	78	78	78	72	60	49	37	78
	0.75	83	76	77	78	72	60	48	36	77
	1.15	84	74	75	76	68	58	48	38	75
450	0.00	88	85	84	85	80	70	59	49	85
	0.50	86	83	82	84	79	68	57	46	84
	1.00	86	80	81	83	79	67	55	43	83
	1.70	88	78	79	81	74	64	55	45	80
525	0.00	91	89	88	88	84	75	65	54	89
	0.75	89	87	86	87	83	74	62	51	87
	1.50	90	84	84	85	83	73	61	49	86
	2.30	92	82	82	84	79	70	60	51	84
615	0.00	94	93	91	91	89	81	71	60	93
	1.00	92	91	89	90	88	80	69	57	91
	2.00	90	90	87	88	87	79	67	55	90
	3.15	89	90	85	87	84	76	66	56	88
700	0.00	97	97	94	94	93	86	75	65	96
	1.25	94	95	92	92	92	85	74	62	95
	2.50	93	93	90	91	91	84	72	60	94
	4.00	92	93	88	89	89	81	71	61	92
780	0.00	99	100	96	96	96	90	79	69	99
	1.75	96	97	94	94	95	89	77	66	98
	3.50	95	95	92	93	94	88	76	64	97
	5.13	95	95	90	91	92	84	74	65	94

RPM	"Nom-inal Ps"	OUTLET SOUND POWER BY OCTAVE BANDS dB Lwo								LwoA
		63	125	250	500	1000	2000	4000	8000	
300	0.00	94	80	78	75	68	58	49	40	76
	0.25	92	79	77	74	67	57	46	36	75
	0.50	90	77	76	73	65	55	45	35	74
	0.75	90	75	74	72	66	61	56	51	73
375	0.00	99	85	84	81	75	66	57	47	82
	0.50	97	83	83	80	74	64	54	44	81
	0.75	95	82	82	80	74	63	53	43	80
	1.15	94	80	79	78	73	67	62	56	79
450	0.00	102	89	88	86	82	72	63	54	87
	0.50	101	88	87	85	81	71	61	51	87
	1.00	100	86	86	85	80	70	60	50	86
	1.70	98	84	83	83	78	73	68	63	84
525	0.00	106	92	92	90	86	78	69	59	91
	0.75	105	91	91	89	85	77	67	57	90
	1.50	102	89	89	88	84	76	65	55	89
	2.30	102	88	87	87	83	78	72	67	88
615	0.00	95	96	95	94	90	83	74	65	95
	1.00	94	95	94	93	90	83	73	63	94
	2.00	93	93	93	92	89	82	71	61	93
	3.15	91	92	90	90	87	82	77	72	92
700	0.00	97	99	98	97	94	88	79	69	98
	1.25	96	98	97	96	94	87	77	67	98
	2.50	95	96	96	95	93	86	76	66	97
	4.00	94	95	93	93	91	86	80	74	95
780	0.00	99	101	101	100	97	92	82	73	101
	1.75	98	100	99	99	97	91	81	71	101
	3.50	97	98	97	97	96	90	80	70	99
	5.13	95	98	96	95	94	89	84	79	98

The sound power level ratings shown are in decibels, referred to  $10^{-12}$  watts, calculated per AMCA International Standard 301. The A-weighted sound ratings shown have been calculated per AMCA International Standard 301. Values shown are for inlet Lwi and inlet LwiA sound power levels for Installation Type B: free inlet, ducted outlet. Values shown are for outlet Lwo and outlet LwoA sound power levels for Installation Type B: free inlet, ducted outlet. Ratings include the effects of duct end correction.

# MXI 542 SOUND PERFORMANCE

RPM	"Nom-inal Ps"	INLET SOUND POWER BY OCTAVE BANDS dB Lwi								LwiA
		63	125	250	500	1000	2000	4000	8000	
250	0.00	76	75	75	71	61	51	41	30	71
	0.20	73	73	74	70	60	49	37	26	70
	0.40	71	71	73	69	59	47	35	24	69
	0.60	69	69	71	67	57	47	36	26	67
325	0.00	83	80	81	79	71	61	50	40	79
	0.50	81	77	78	77	69	58	46	34	77
	0.75	83	76	77	77	69	57	45	34	76
	1.00	84	75	76	75	67	56	46	35	75
400	0.00	89	85	85	85	79	68	58	47	85
	0.50	86	83	83	84	78	67	55	44	83
	1.00	87	81	81	83	77	66	54	42	83
	1.65	89	79	79	81	73	63	54	44	80
475	0.00	93	89	89	89	84	75	64	54	89
	0.75	90	87	86	88	84	73	62	50	88
	1.50	91	85	85	87	83	72	60	48	87
	2.30	93	83	83	85	79	69	60	50	85
550	0.00	95	93	92	92	89	80	70	59	93
	1.00	93	91	90	91	88	79	67	56	92
	2.00	94	89	88	89	87	78	66	54	91
	3.10	96	87	86	88	83	75	65	56	88
625	0.00	98	97	95	95	93	85	74	64	96
	1.50	95	94	92	93	91	83	72	60	95
	3.00	93	93	90	91	91	83	71	59	94
	4.00	93	94	89	90	88	79	70	60	91
700	0.00	100	100	97	97	96	89	78	68	99
	1.75	97	97	95	95	95	88	76	65	98
	3.50	96	96	92	94	94	87	75	63	97
	5.00	95	96	91	92	91	83	74	64	94

RPM	"Nom-inal Ps"	OUTLET SOUND POWER BY OCTAVE BANDS dB Lwo								LwoA
		63	125	250	500	1000	2000	4000	8000	
250	0.00	79	79	76	72	64	55	46	36	73
	0.20	78	78	76	72	63	53	43	33	73
	0.40	76	76	75	71	62	52	41	31	72
	0.60	75	74	74	70	63	56	50	43	71
325	0.00	98	84	83	80	73	64	55	46	81
	0.50	97	83	82	79	72	62	51	41	80
	0.75	95	81	81	78	71	61	51	41	79
	1.00	94	80	80	77	71	64	57	50	78
400	0.00	103	89	88	86	81	71	62	53	87
	0.50	102	88	88	85	80	70	60	50	86
	1.00	100	86	86	85	79	69	59	48	85
	1.65	99	84	84	83	78	73	68	63	84
475	0.00	107	93	92	90	86	77	68	59	92
	0.75	106	92	92	90	86	76	66	56	91
	1.50	103	90	90	89	85	75	65	55	90
	2.30	103	88	88	87	83	78	73	67	89
550	0.00	110	96	96	94	90	83	73	64	95
	1.00	109	95	95	93	90	82	72	61	95
	2.00	106	93	93	92	89	80	70	60	94
	3.10	106	92	91	91	87	82	77	72	92
625	0.00	98	99	99	97	94	87	78	68	98
	1.50	97	98	97	96	93	86	76	66	98
	3.00	95	96	95	95	92	85	75	64	96
	4.00	95	95	94	93	91	86	81	76	95
700	0.00	100	102	101	100	97	91	82	72	101
	1.75	99	101	100	99	97	90	80	70	101
	3.50	98	99	98	98	95	89	79	69	99
	5.00	97	98	96	96	94	89	84	79	98

The sound power level ratings shown are in decibels, referred to  $10^{-12}$  watts, calculated per AMCA International Standard 301. The A-weighted sound ratings shown have been calculated per AMCA International Standard 301. Values shown are for inlet Lwi and inlet LwiA sound power levels for Installation Type B: free inlet, ducted outlet. Values shown are for outlet Lwo and outlet LwoA sound power levels for Installation Type B: free inlet, ducted outlet. Ratings include the effects of duct end correction.

# MXI 600 SOUND PERFORMANCE

RPM	"Nom-inal Ps"	INLET SOUND POWER BY OCTAVE BANDS dB Lwi								LwiA
		63	125	250	500	1000	2000	4000	8000	
225	0.00	76	75	76	71	61	50	40	29	72
	0.25	73	73	75	70	59	47	36	24	70
	0.50	70	71	73	69	58	46	34	22	69
	0.63	69	70	72	65	56	46	36	26	67
300	0.00	84	82	82	79	71	61	50	40	79
	0.50	82	79	80	78	70	58	46	35	78
	0.75	84	77	79	78	69	57	45	34	77
	1.15	86	76	77	74	65	56	47	38	74
375	0.00	90	87	87	86	79	69	59	48	86
	0.63	88	84	85	85	78	67	56	44	84
	1.25	89	82	83	84	78	66	54	42	83
	1.75	91	80	81	82	74	64	55	45	81
450	0.00	95	91	90	91	86	76	65	55	91
	0.75	92	89	89	90	85	74	63	52	90
	1.50	92	87	87	89	85	73	61	50	89
	2.50	95	85	85	87	80	71	61	51	87
500	0.00	97	94	93	93	89	80	69	59	94
	1.00	94	91	91	92	88	78	67	56	92
	2.00	95	89	89	91	88	77	65	54	91
	3.15	97	87	87	89	83	74	65	55	89
575	0.00	99	98	96	96	93	85	74	64	97
	1.50	97	95	93	94	92	83	72	60	96
	3.00	99	93	91	93	91	83	71	59	95
	4.00	100	91	90	92	89	80	70	60	93
640	0.00	101	101	98	98	96	89	78	68	100
	1.75	99	98	96	97	95	87	76	65	99
	3.50	97	97	94	95	94	87	75	63	97
	5.13	96	97	92	94	92	83	74	64	95

RPM	"Nom-inal Ps"	OUTLET SOUND POWER BY OCTAVE BANDS dB Lwo								LwoA
		63	125	250	500	1000	2000	4000	8000	
225	0.00	80	79	77	73	64	54	45	36	73
	0.25	78	78	77	72	62	52	42	31	73
	0.50	76	76	75	71	61	51	40	30	71
	0.63	75	75	74	69	64	58	53	48	71
300	0.00	100	86	84	81	74	64	55	46	82
	0.50	98	84	83	80	72	62	52	41	81
	0.75	96	83	82	79	72	61	51	41	80
	1.15	96	81	81	78	73	68	64	59	80
375	0.00	105	91	90	87	82	72	63	54	88
	0.63	103	90	89	87	81	71	61	50	87
	1.25	101	87	87	85	80	69	59	49	86
	1.75	101	86	86	84	79	74	69	63	85
450	0.00	109	95	94	92	88	79	69	60	93
	0.75	108	94	93	92	87	78	68	58	93
	1.50	106	92	92	91	86	76	66	56	92
	2.50	104	90	90	89	84	79	73	68	90
500	0.00	111	97	97	95	91	82	73	64	96
	1.00	110	96	96	94	90	81	71	61	95
	2.00	108	94	94	93	89	80	70	60	94
	3.15	107	93	92	92	87	82	77	73	93
575	0.00	114	100	100	98	95	87	78	69	100
	1.50	113	99	99	98	94	86	76	66	99
	3.00	110	97	97	96	93	85	75	65	97
	4.00	110	96	95	95	92	86	80	74	97
640	0.00	101	103	102	101	98	91	82	72	102
	1.75	101	102	101	100	97	90	80	70	102
	3.50	99	100	99	99	96	89	79	69	100
	5.13	98	99	97	97	95	89	84	79	99

The sound power level ratings shown are in decibels, referred to  $10^{-12}$  watts, calculated per AMCA International Standard 301. The A-weighted sound ratings shown have been calculated per AMCA International Standard 301. Values shown are for inlet Lwi and inlet LwiA sound power levels for Installation Type B: free inlet, ducted outlet. Values shown are for outlet Lwo and outlet LwoA sound power levels for Installation Type B: free inlet, ducted outlet. Ratings include the effects of duct end correction.



# PENNBARRY PRODUCT SOLUTIONS



## Commercial

- Roof & wall exhaust centrifugal fans
- Ceiling, wall, & inline centrifugal fans
- Roof supply centrifugal fans
- Square & round centrifugal fans
- Wall mounted axial fans
- Hooded roof axial fans
- Upblast roof axial fans
- Gravity ventilators
- Roof curbs



## Industrial

- Freestanding centrifugal fans
- Industrial & material handling fans
- Tubular centrifugal inline fans
- Mixed flow centrifugal fans
- Plug & plenum fans
- Wall mounted propeller fans
- Tube axial fans
- Vane axial fans
- Bifurcator fans
- Lab exhaust



## Kitchen ventilation

- Make-up air units
- Exhaust fans



## Energy recovery

- Outdoor units
- Indoor units

PennBarry is proud to be your preferred manufacturer of commercial and industrial fans and blowers. Learn how PennBarry can assist you in your next application by contacting your PennBarry Representative or visiting us on the web at [www.pennbarry.com](http://www.pennbarry.com)

PennBarry | [www.pennbarry.com](http://www.pennbarry.com) | [pennbarrysales@pennbarry.com](mailto:pennbarrysales@pennbarry.com) | Tel 972 212 4700 | Fax 972 212 4702

PennBarry reserves the right to make changes at any time, without notice, to models, construction, specifications, options and availability. This document illustrates the appearance of PennBarry products at the time of publication. View the latest updates on the PennBarry website.

© 2019 PennBarry. All rights reserved. MXI AUGUST 2019.



PENNBARRY™